



US00D933364S

(12) **United States Design Patent**  
**Chen**

(10) **Patent No.:** **US D933,364 S**

(45) **Date of Patent:** **\*\* Oct. 19, 2021**

(54) **FOLDING BASKET**

(71) Applicant: **Xiufeng Chen**, Fujian (CN)

(72) Inventor: **Xiufeng Chen**, Fujian (CN)

(\*\*) Term: **15 Years**

(21) Appl. No.: **29/760,780**

(22) Filed: **Dec. 3, 2020**

(51) **LOC (13) Cl.** ..... **03-01**

(52) **U.S. Cl.**  
USPC ..... **D3/305**

(58) **Field of Classification Search**  
USPC ..... D3/304–305, 307–309, 312; D9/424,  
D9/432, 456, 755  
CPC ..... B65D 1/22; B65D 1/225; B65D 21/00;  
B65D 21/0209; B65D 71/0003; B65D  
1/00

See application file for complete search history.

(56) **References Cited**

**U.S. PATENT DOCUMENTS**

D400,711 S *	11/1998	Hwang	.....	D3/307
D423,217 S *	4/2000	Varfeldt	.....	D3/201
D446,392 S *	8/2001	Overholt	.....	D3/304
D600,019 S *	9/2009	Cope	.....	D3/305
7,641,066 B2 *	1/2010	Baltz	.....	B65D 11/1833 220/7
D663,121 S *	7/2012	Barth	.....	D3/304
D670,081 S *	11/2012	Orgeldinger	.....	D3/307
D684,368 S *	6/2013	Stolzman	.....	D3/304

D689,694 S *	9/2013	Barth	.....	B65D 11/184 D3/305
D796,202 S *	9/2017	Ranco	.....	D3/304
D801,687 S *	11/2017	Holland	.....	D3/309
D810,439 S *	2/2018	Martin Tellez	.....	D3/314
D816,997 S *	5/2018	Turner	.....	D3/304
D841,328 S *	2/2019	Wilcox	.....	D3/304
D844,988 S *	4/2019	Reinhart	.....	D3/305
D859,836 S *	9/2019	Ritzberger	.....	D3/309
D891,779 S	8/2020	Dittrich		
D897,681 S	10/2020	Wang		
D900,472 S *	11/2020	Durham	.....	D3/304
2017/0137175 A1 *	5/2017	Park	.....	B65D 25/30

\* cited by examiner

*Primary Examiner* — Kelley A Donnelly

(74) *Attorney, Agent, or Firm* — ScienBiziP, P.C.

(57) **CLAIM**

The ornamental design for a folding basket, as shown and described.

**DESCRIPTION**

FIG. 1 is a perspective view of a folding basket, showing my design.

FIG. 2 is a front elevation view thereof.

FIG. 3 is a rear elevation view thereof.

FIG. 4 is a left side elevation view thereof.

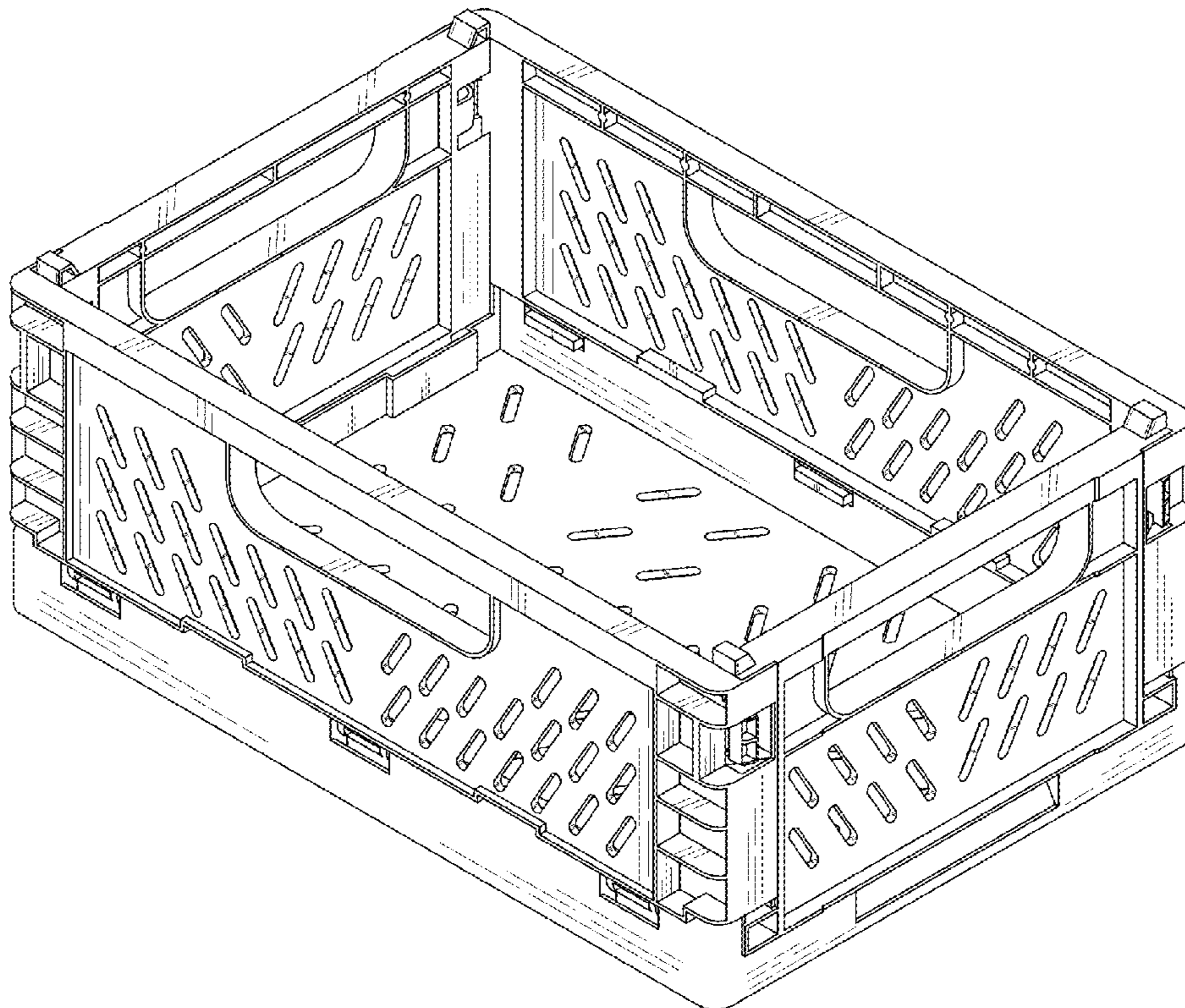
FIG. 5 is a right side elevation view thereof.

FIG. 6 is a top plan view thereof.

FIG. 7 is a bottom plan view thereof; and,

FIG. 8 is a perspective view thereof, shown in a folding state.

**1 Claim, 8 Drawing Sheets**



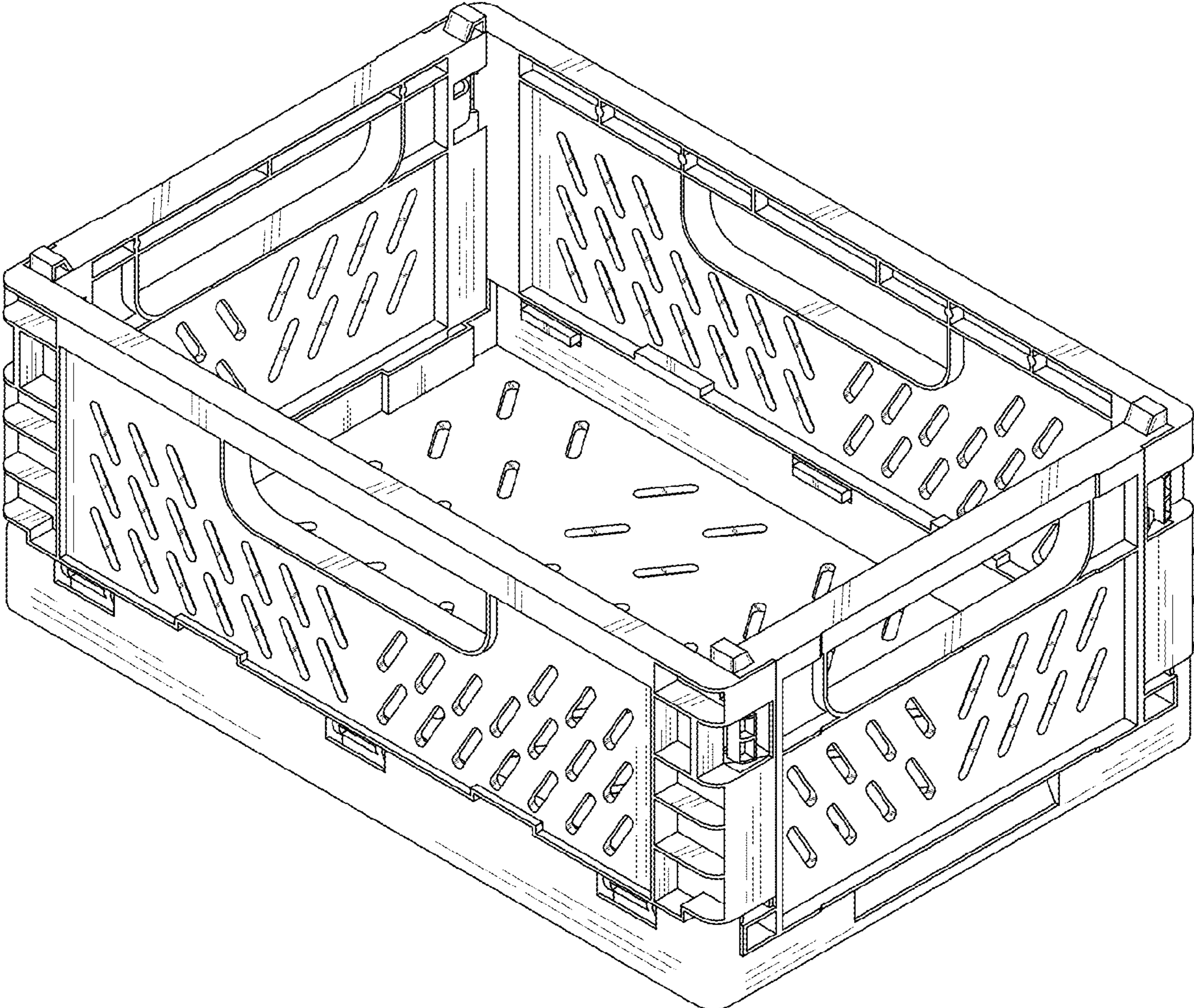


FIG. 1

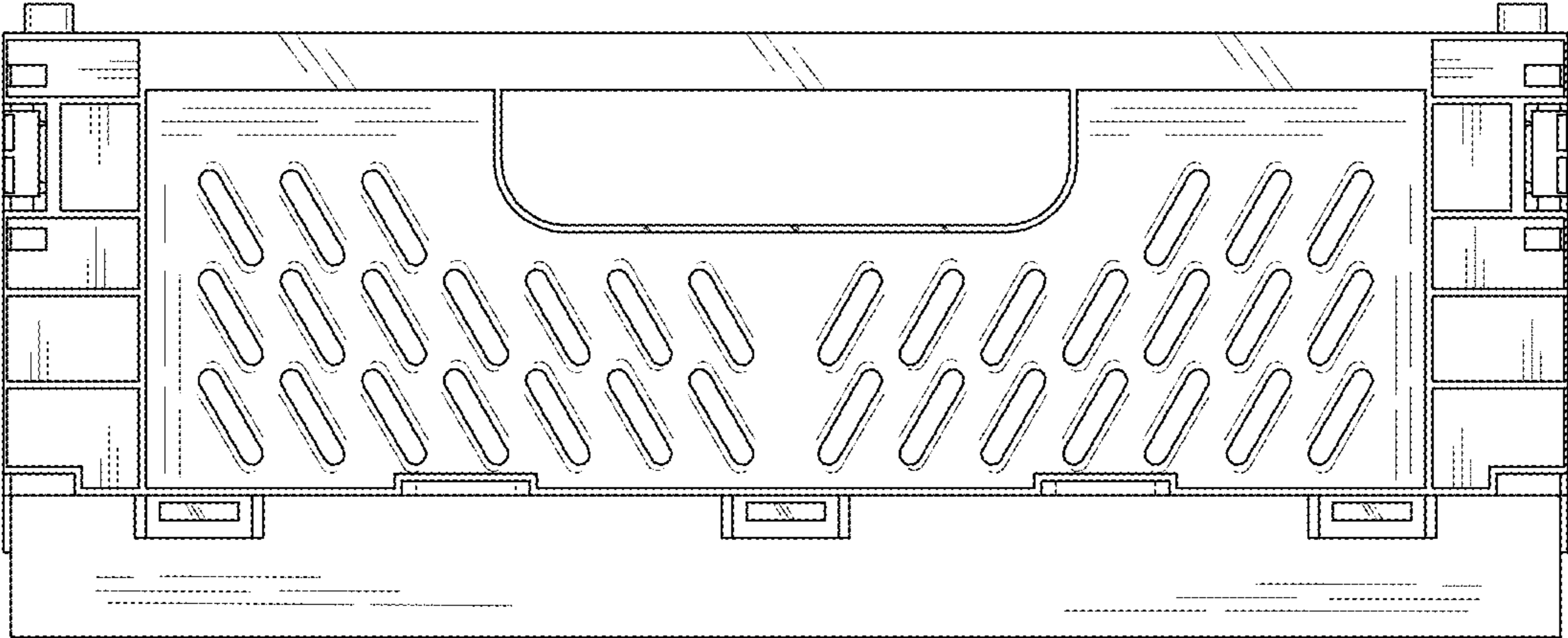


FIG.2

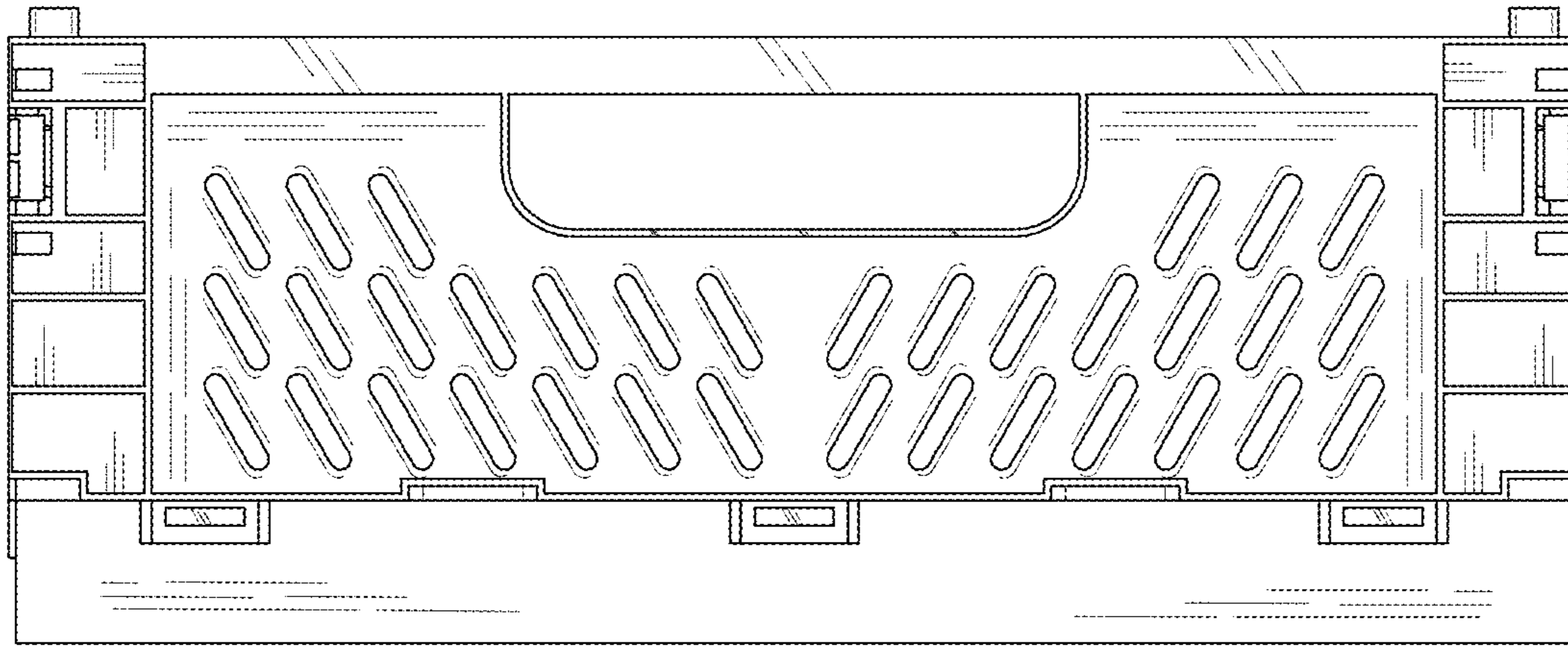


FIG.3

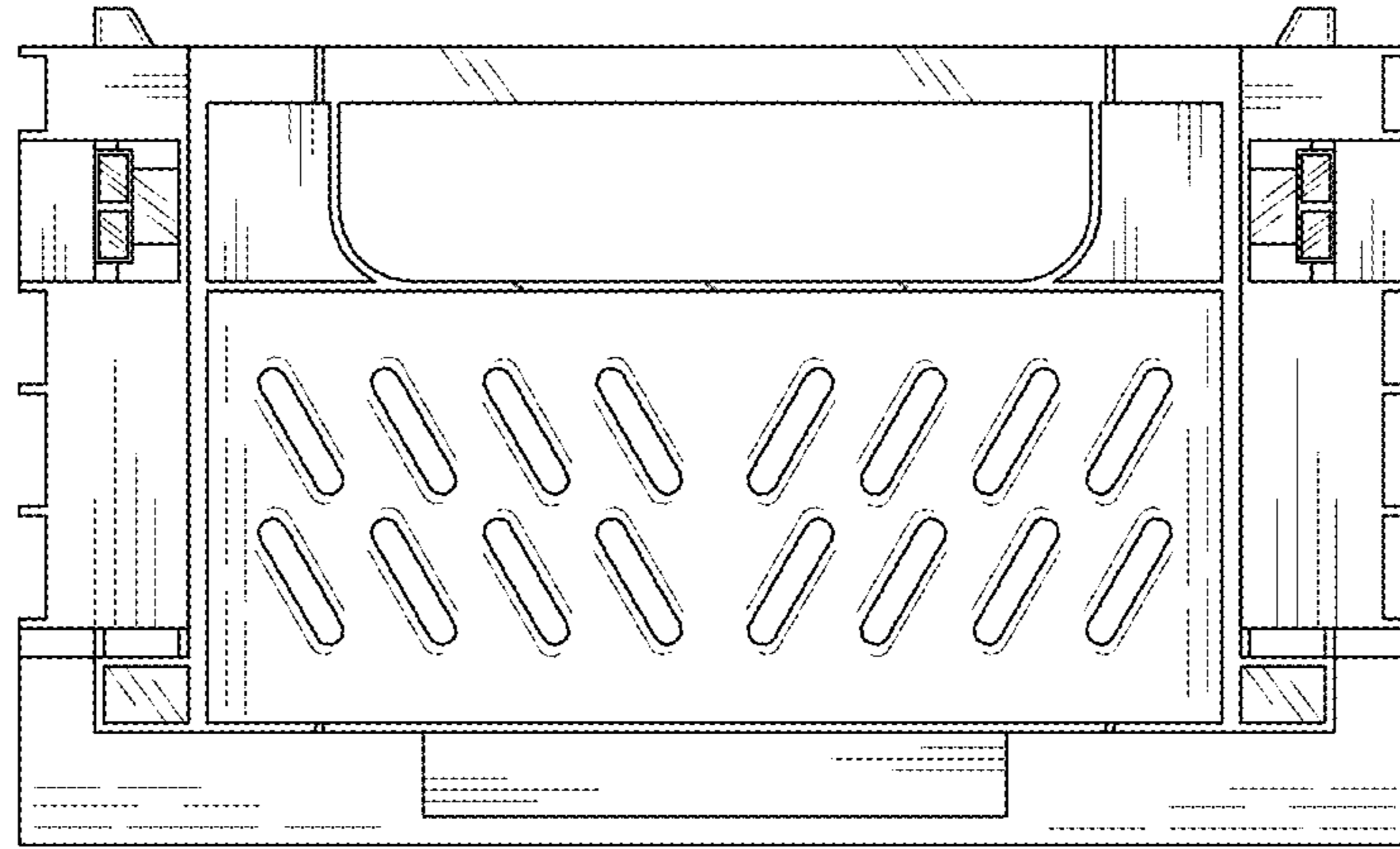


FIG.4

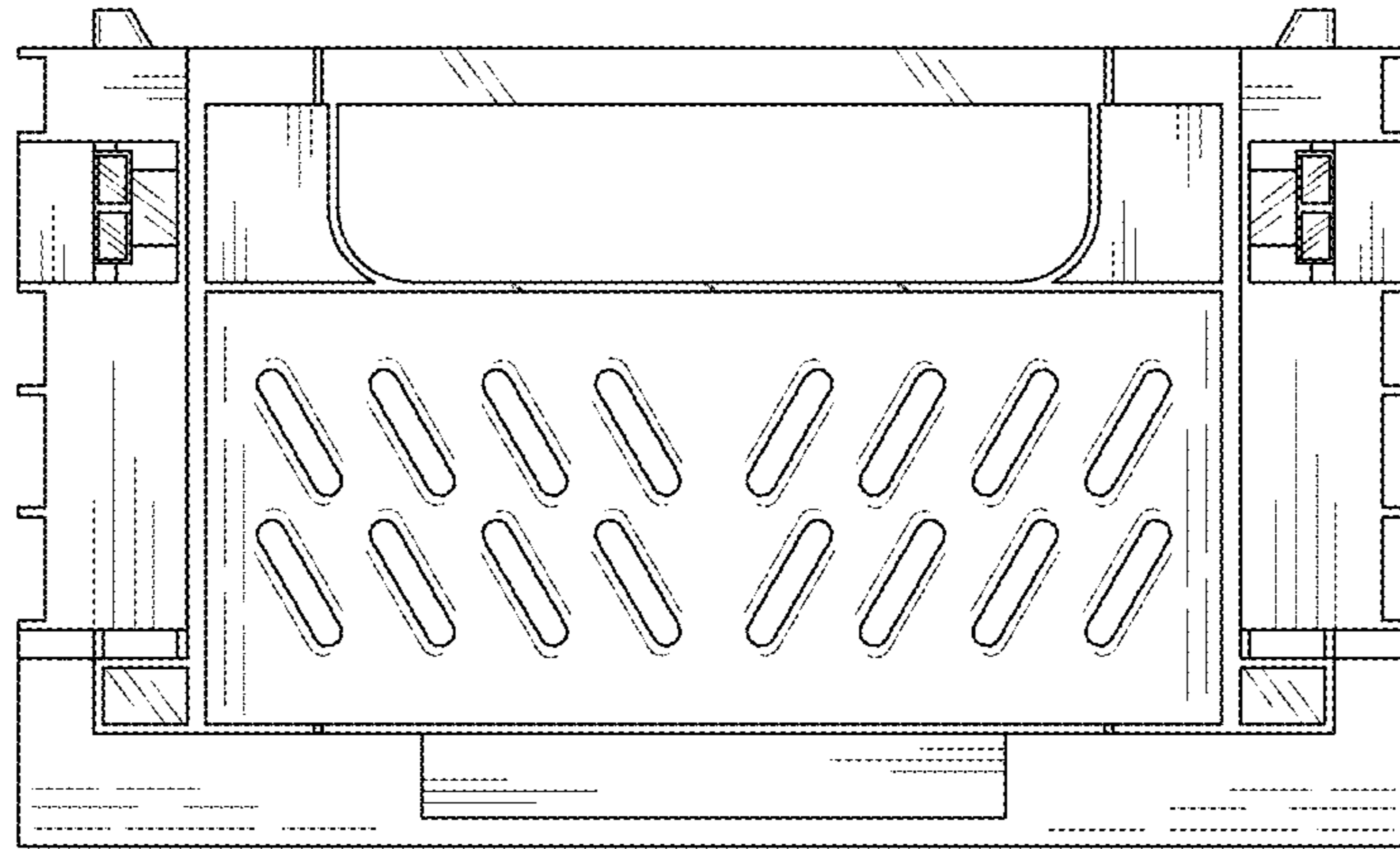


FIG.5

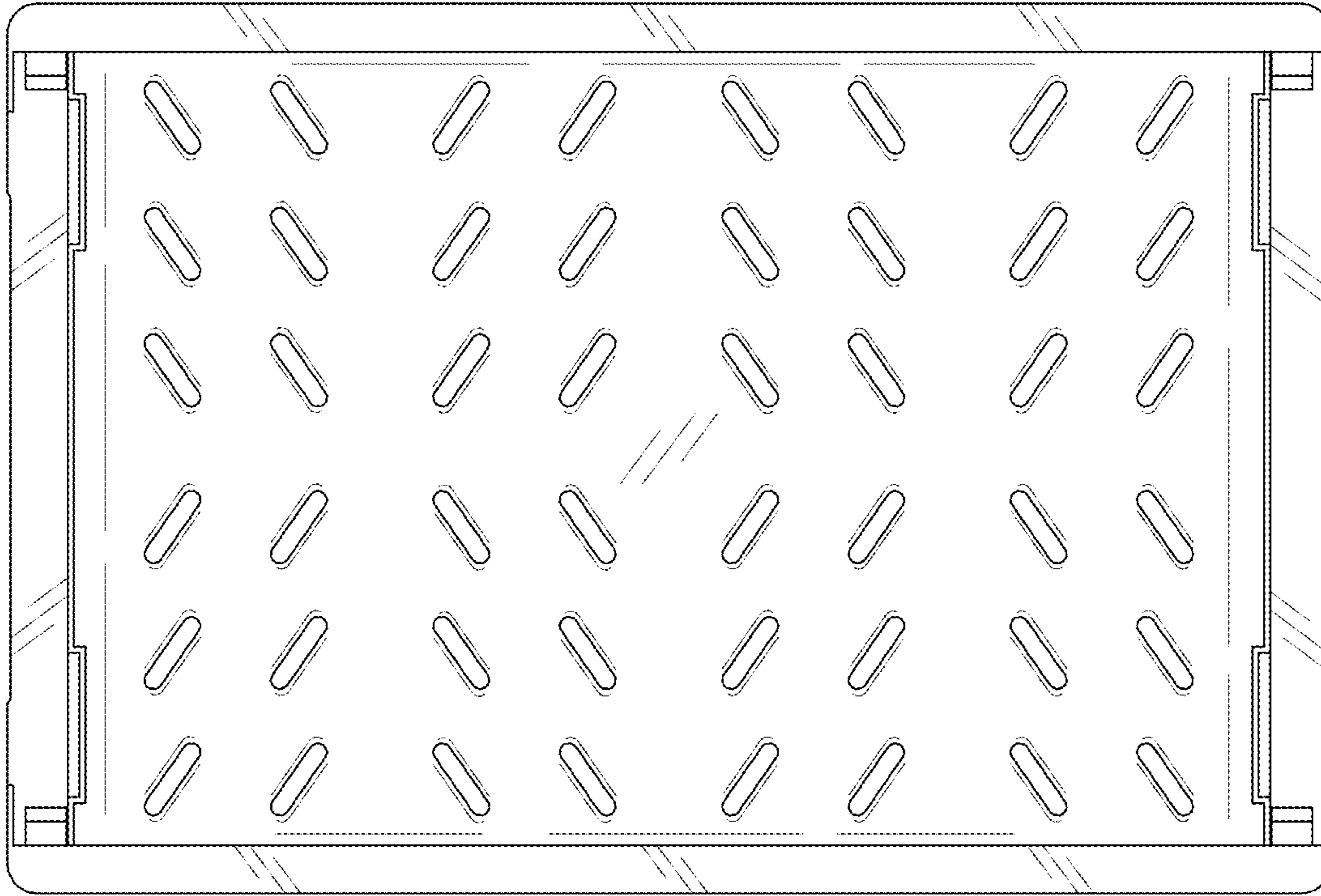


FIG.6

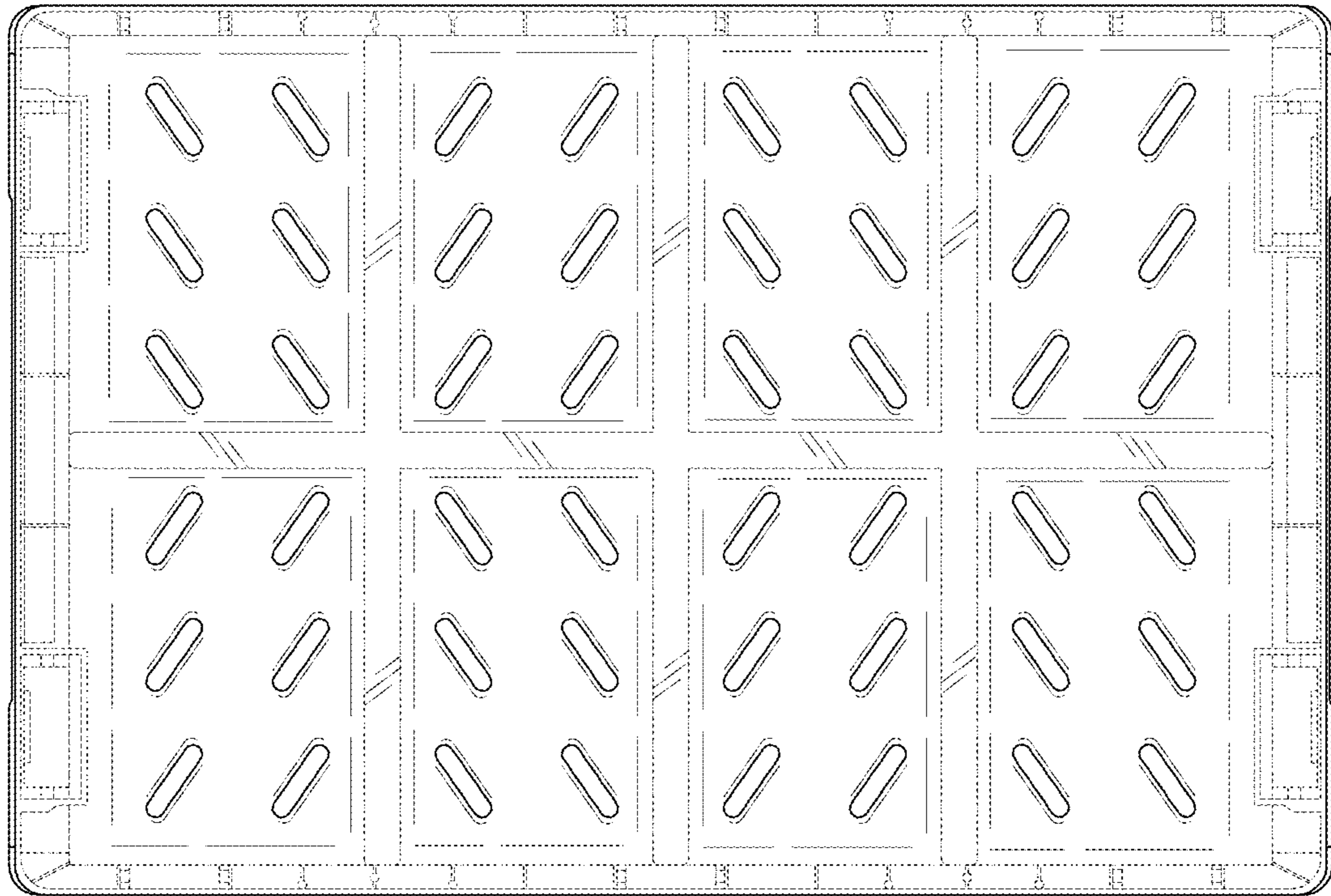


FIG.7



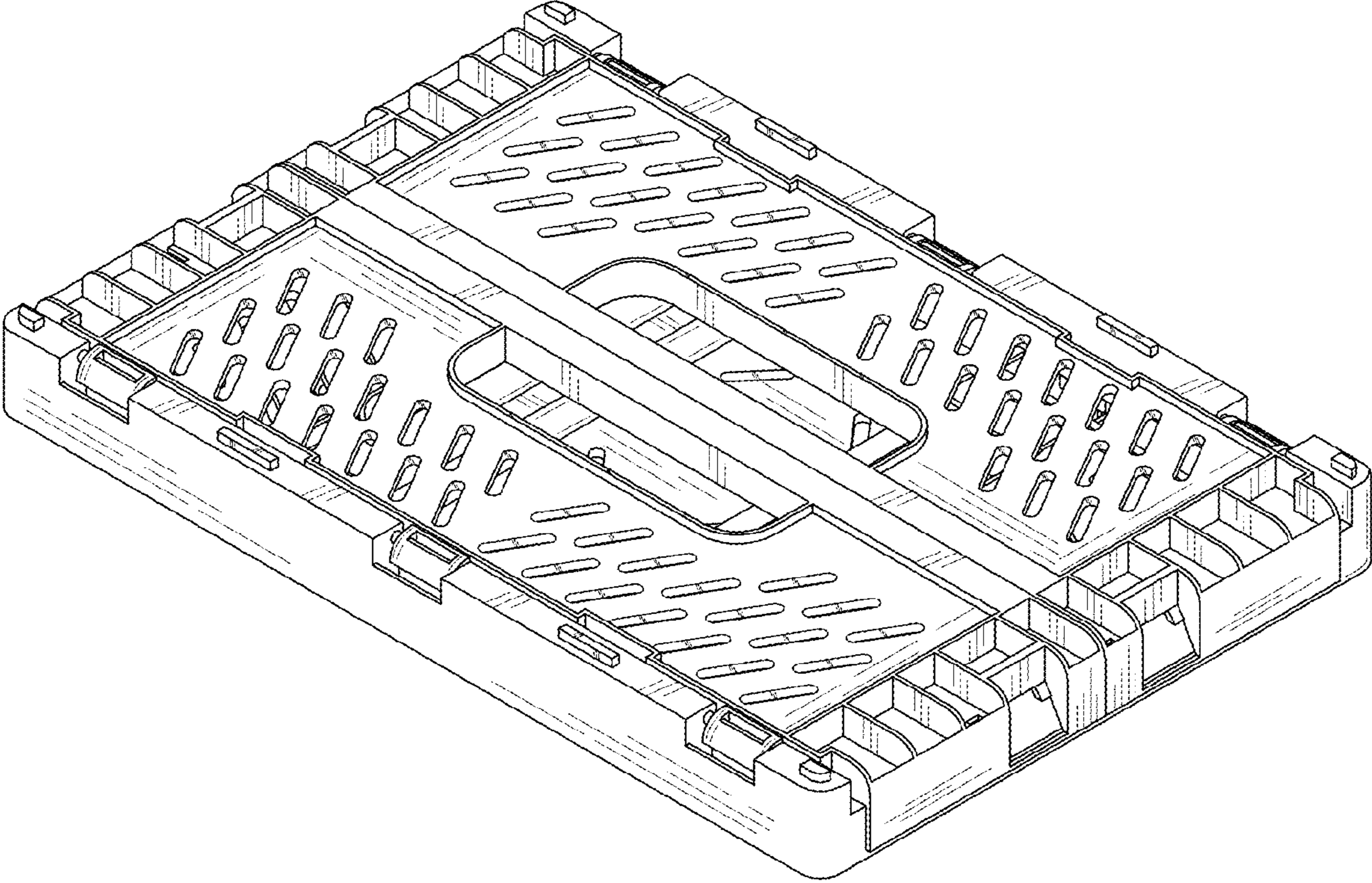


FIG.8