



US00D933360S

(12) **United States Design Patent**
Qing

(10) **Patent No.:** **US D933,360 S**

(45) **Date of Patent:** **** Oct. 19, 2021**

(54) **MONEY CLIP**

(71) Applicant: **Shenzhen Shi Ye De Yun Technology Co., Ltd.**, Guangdong (CN)

(72) Inventor: **Wenbo Qing**, Hunan (CN)

(73) Assignee: **Shenzhen Shi Ye De Yun Technology Co., Ltd.**, Guangdong (CN)

(**) Term: **15 Years**

(21) Appl. No.: **29/766,585**

(22) Filed: **Jan. 15, 2021**

(51) **LOC (13) Cl.** **03-01**

(52) **U.S. Cl.**
USPC **D3/247; D11/78.1**

(58) **Field of Classification Search**
USPC D3/247, 248, 249, 250, 251, 252, 253,
D3/254; D11/78.1
CPC A45C 1/06; A45C 3/08
See application file for complete search history.

(56) **References Cited**

U.S. PATENT DOCUMENTS

2,589,481	A *	3/1952	Dobbs	A45C 1/06 150/142
2,804,113	A *	8/1957	Nash	A45C 1/06 150/143
3,078,898	A *	2/1963	Rinaldi	A45C 1/06 150/148

D267,053	S *	11/1982	Linke	D3/251
D424,803	S *	5/2000	Kojoori	D3/247
D806,386	S *	1/2018	King	D3/247
D828,024	S *	9/2018	Serman	D3/247
D828,025	S *	9/2018	Serman	D3/247
D859,838	S	9/2019	Blackrock		
D877,513	S	3/2020	Duncan		
D884,338	S	5/2020	Liu		
D891,100	S *	7/2020	King	D3/247
D891,101	S *	7/2020	Lv	D3/249

* cited by examiner

Primary Examiner — Melanie Pellegrini

(74) *Attorney, Agent, or Firm* — ScienBiziP, P.C.

(57) **CLAIM**

The ornamental design for a money clip, as shown and described.

DESCRIPTION

FIG. 1 is a top perspective view of a money clip, showing my design.

FIG. 2 is a bottom perspective view thereof.

FIG. 3 is a front elevation view thereof.

FIG. 4 is a rear elevation view thereof.

FIG. 5 is a left side elevation thereof.

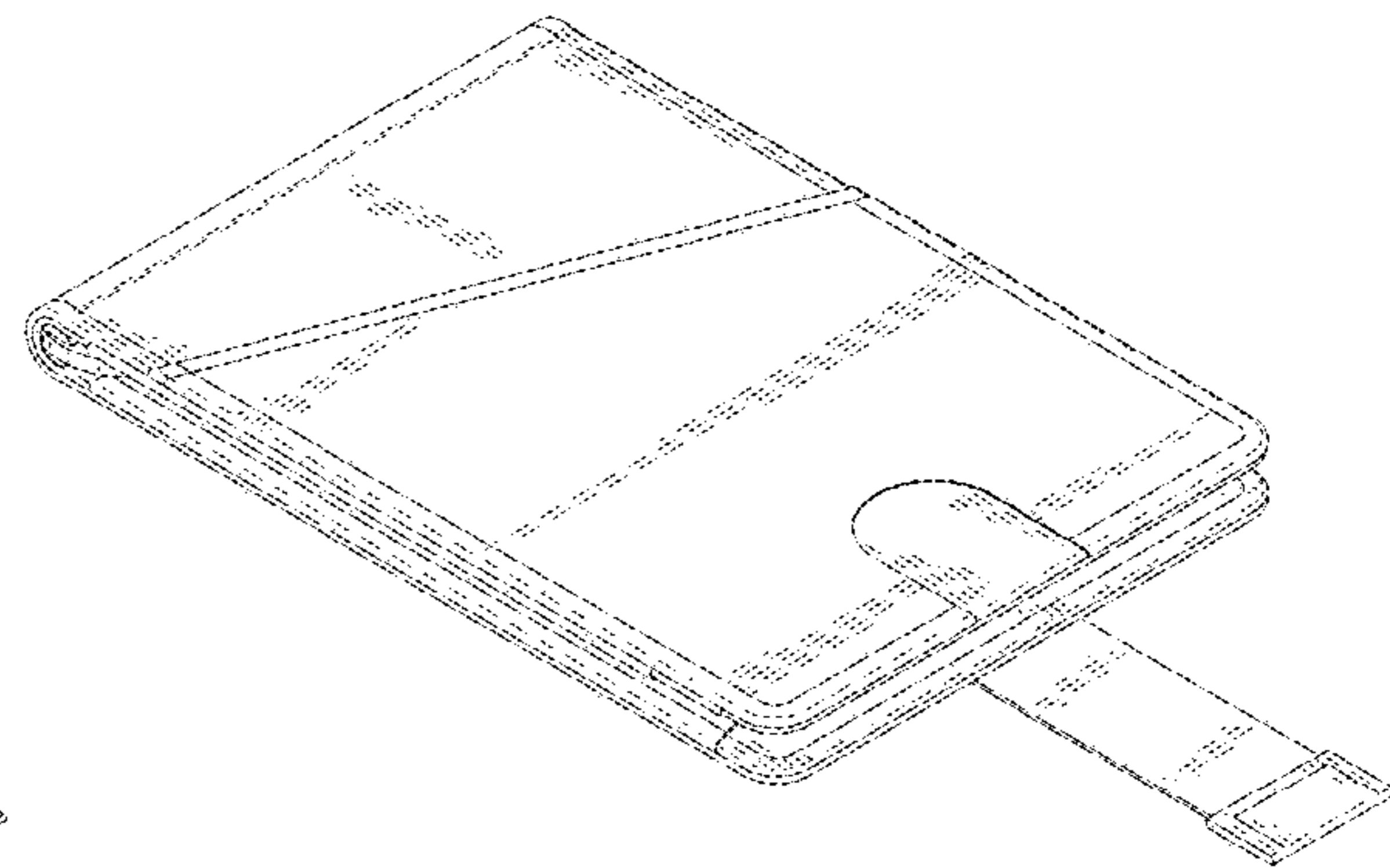
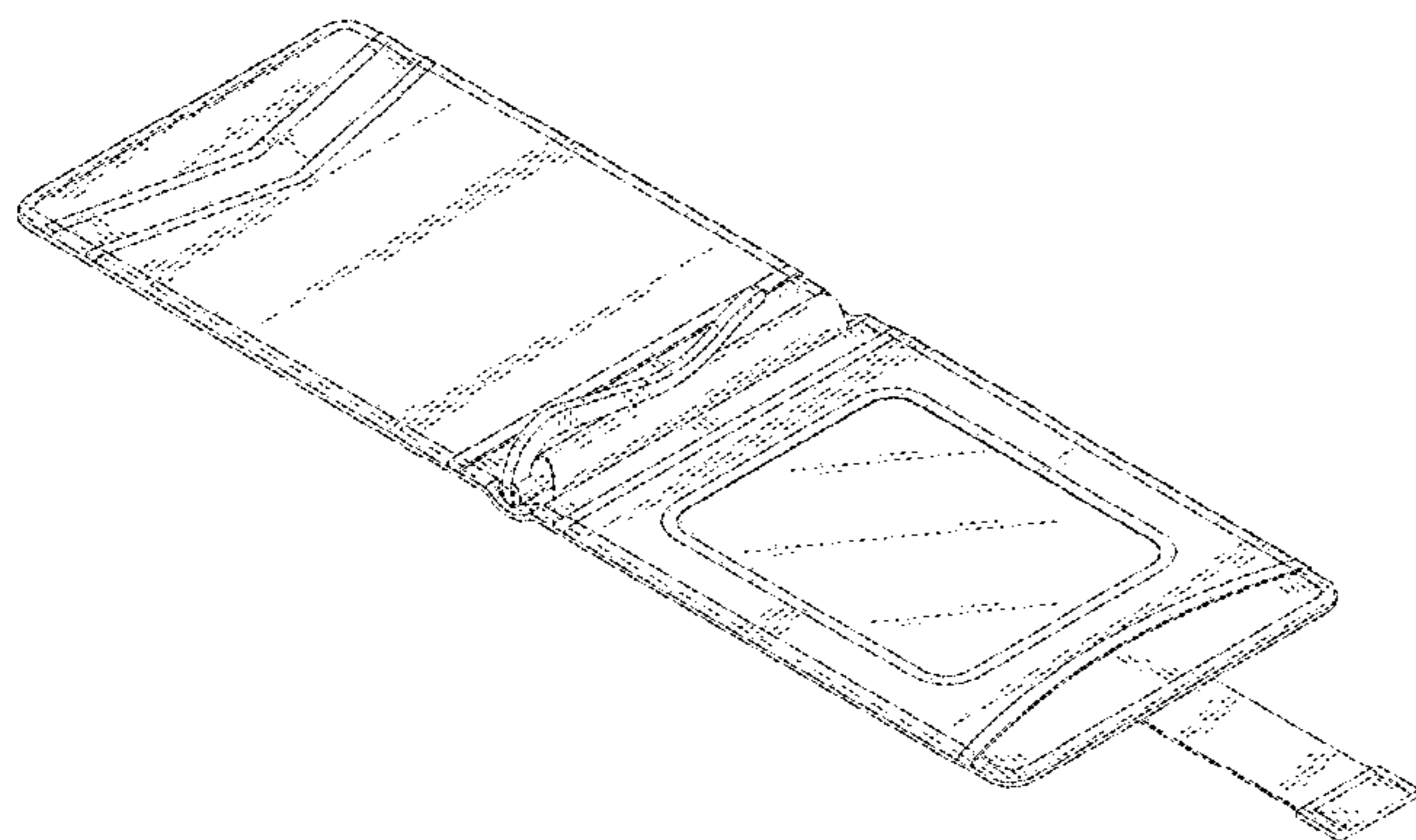
FIG. 6 is a right side elevation thereof.

FIG. 7 is a top plan view thereof.

FIG. 8 is a bottom plan view thereof; and,

FIG. 9 is a perspective view of the money clip with a first side and a second side of the money clip folded.

1 Claim, 9 Drawing Sheets



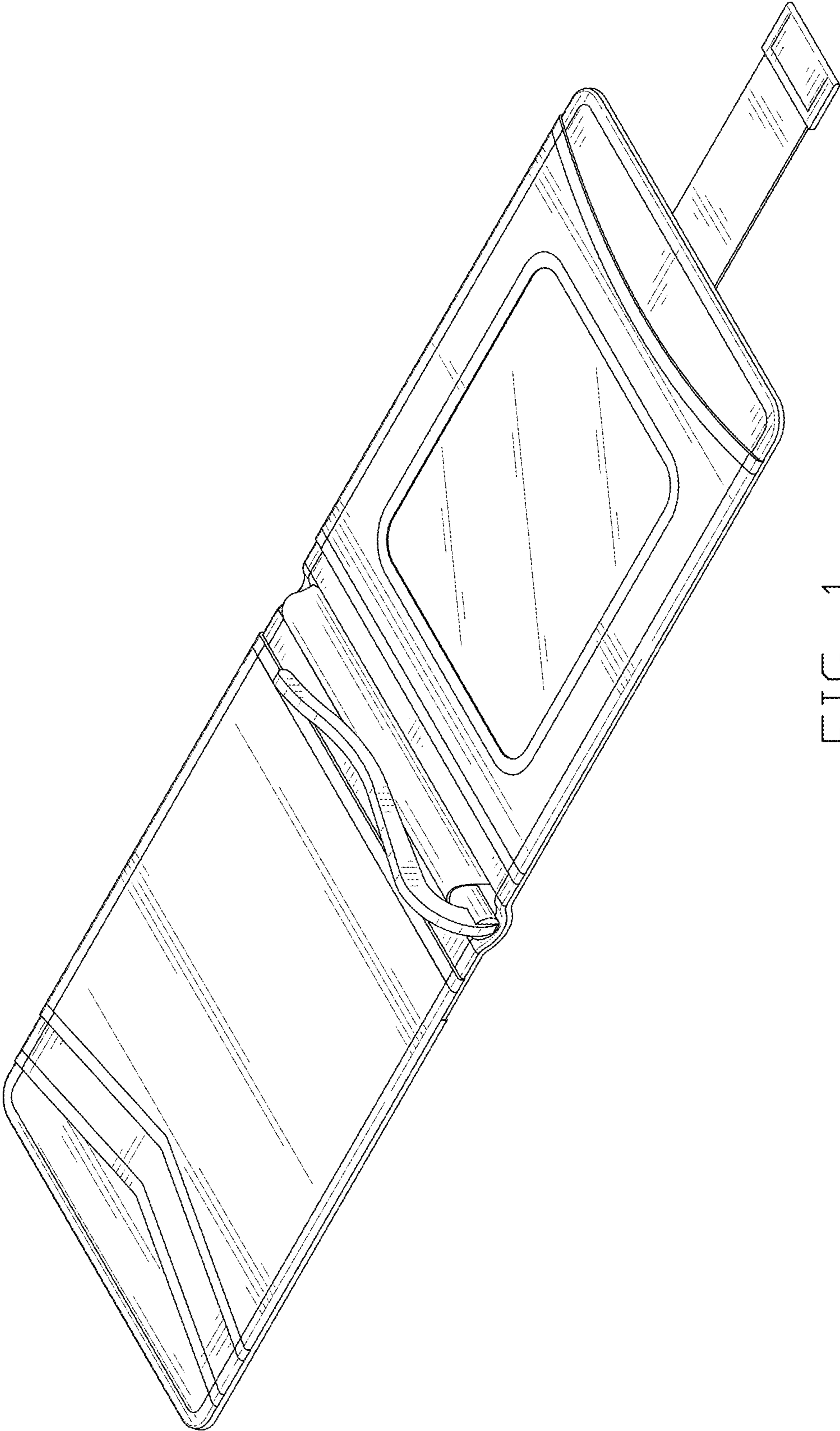


FIG. 1

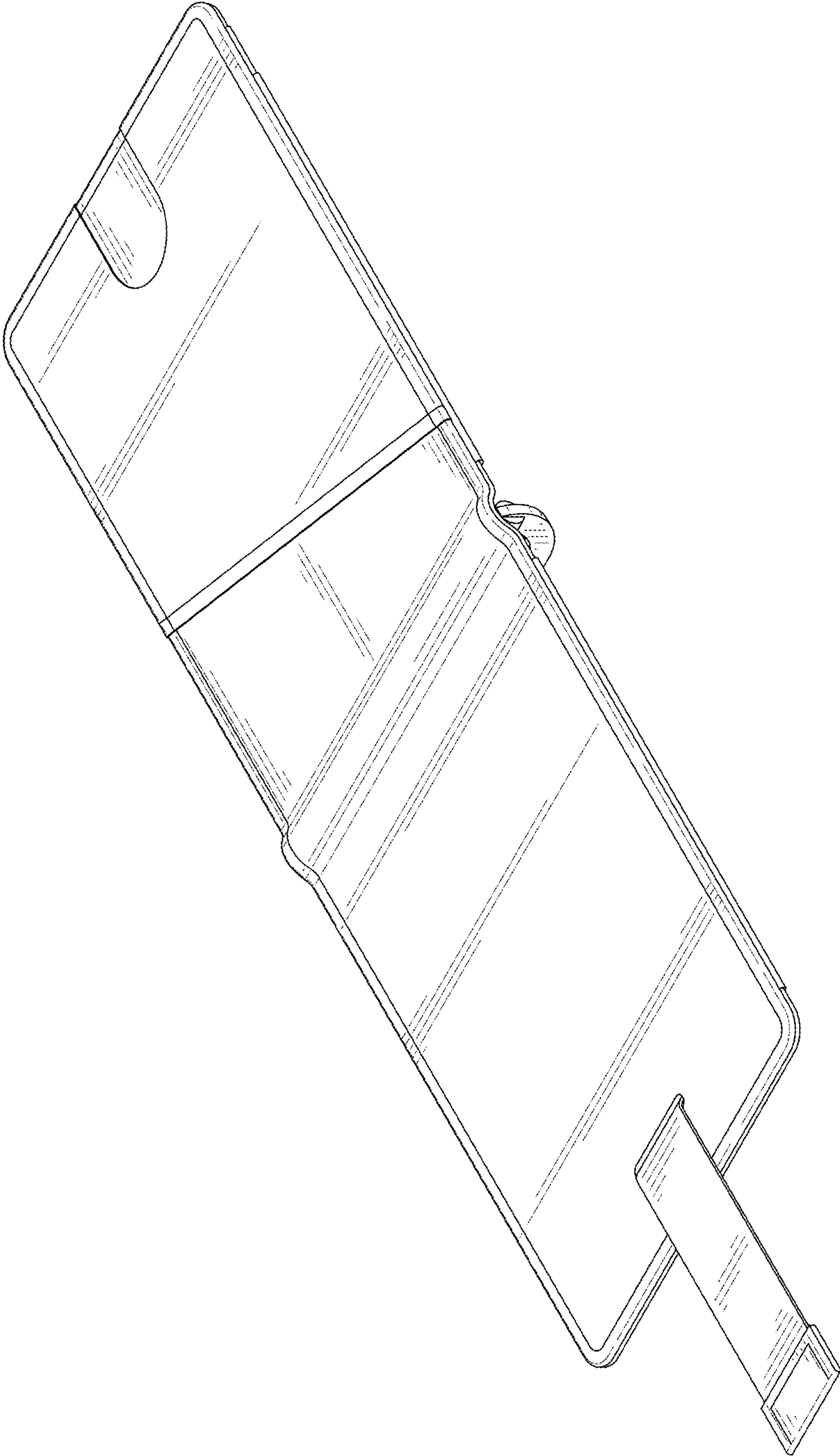


FIG. 2

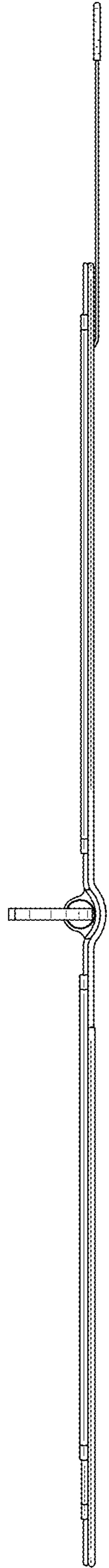


FIG. 3

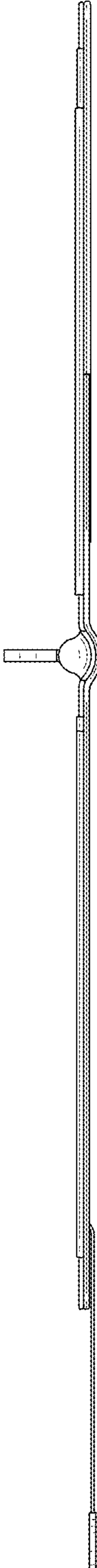


FIG. 4

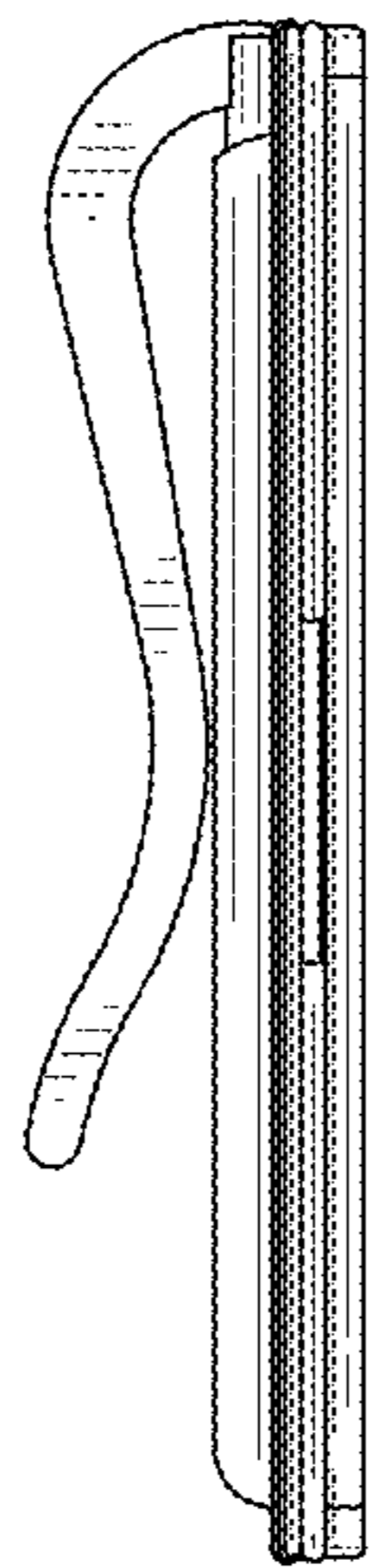


FIG. 5

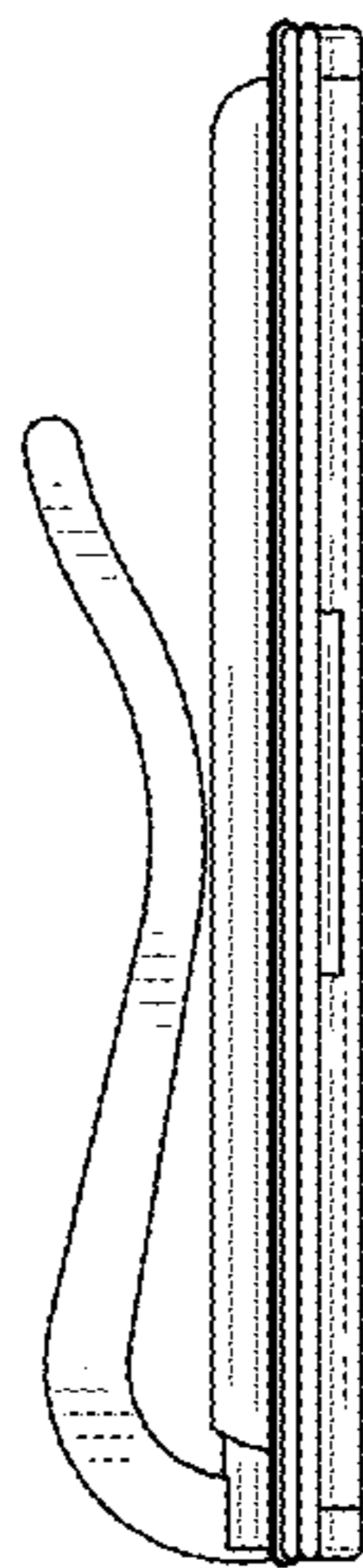


FIG. 6

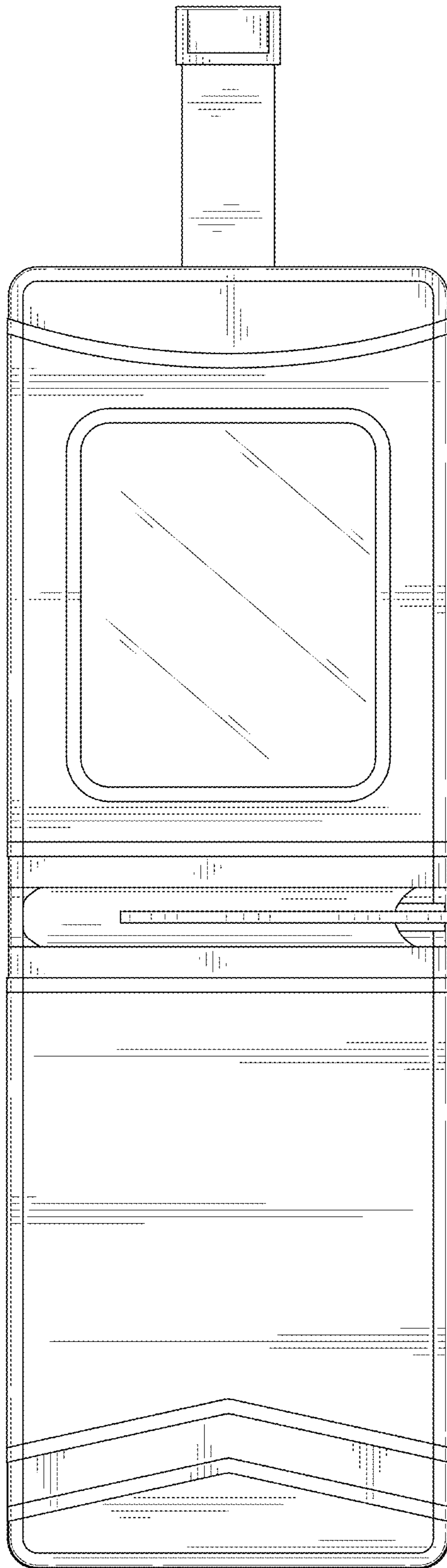


FIG. 7

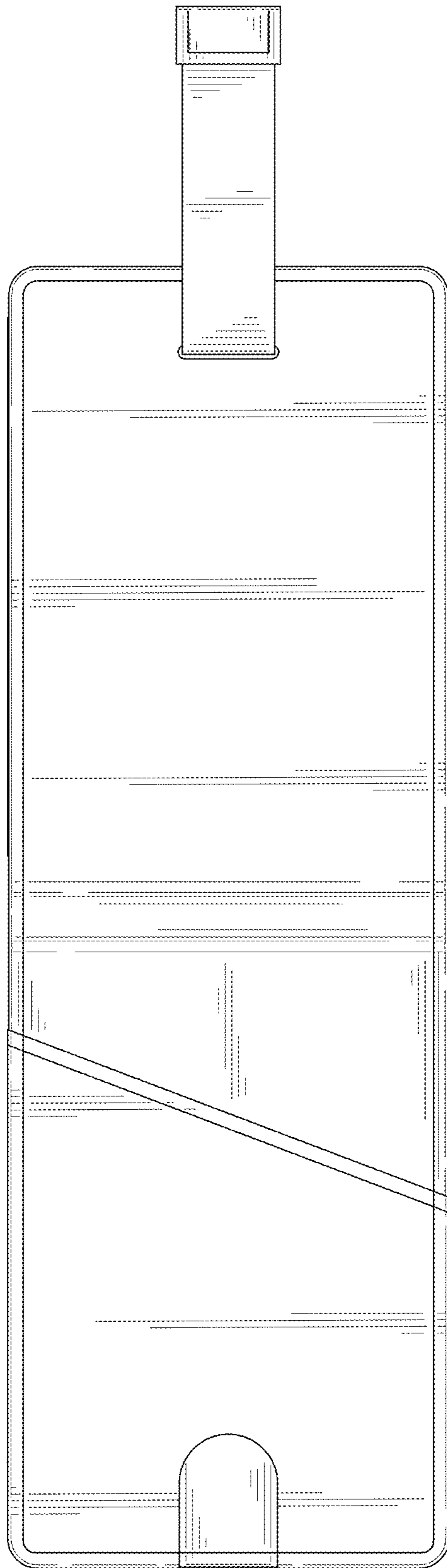


FIG. 8

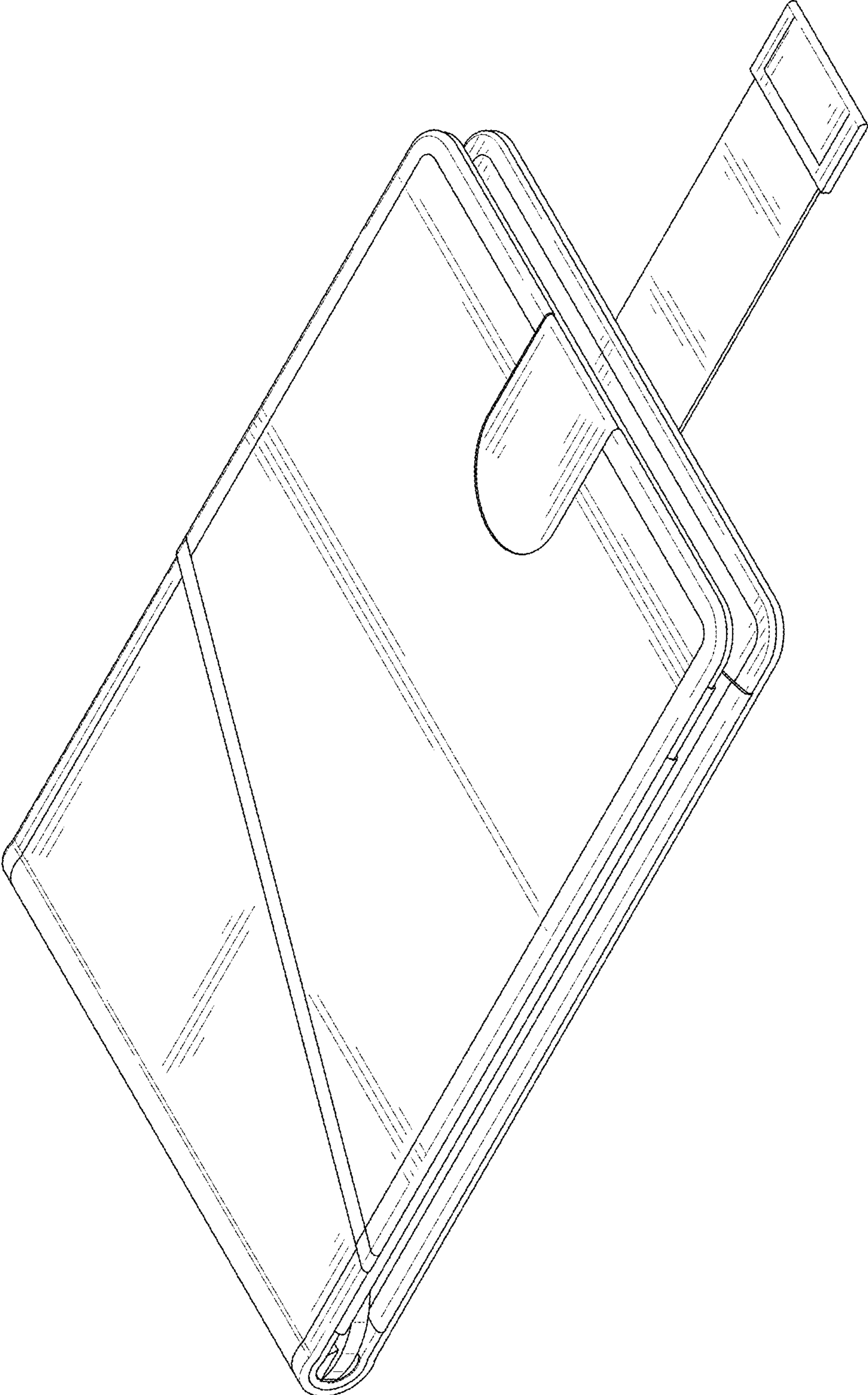


FIG. 9