



US00D933359S

(12) **United States Design Patent**
Wu

(10) **Patent No.:** **US D933,359 S**

(45) **Date of Patent:** **** Oct. 19, 2021**

- (54) **BAG**
- (71) Applicant: **Shaoyun Wu**, Shenzhen (CN)
- (72) Inventor: **Shaoyun Wu**, Shenzhen (CN)
- (**) Term: **15 Years**
- (21) Appl. No.: **29/751,280**
- (22) Filed: **Sep. 19, 2020**
- (51) **LOC (13) Cl.** **03-01**
- (52) **U.S. Cl.**
USPC **D3/233; D3/303**
- (58) **Field of Classification Search**
USPC D3/232–238, 243, 245–248, 270–271.2,
D3/303, 318, 322
CPC ... B65D 81/3261; A45C 13/02; A45C 7/0095;
A45C 3/00
See application file for complete search history.

D851,923 S *	6/2019	Dumas	D3/232
D854,832 S *	7/2019	Marin	D3/303
D858,979 S *	9/2019	Dumas	D3/239
D896,511 S *	9/2020	Case	D3/247
D902,590 S *	11/2020	Case	D3/303
D915,072 S *	4/2021	Case	D3/303
2003/0185466 A1 *	10/2003	Edelman	B65D 33/2591 383/5

* cited by examiner

Primary Examiner — Jennifer L Watkins
Assistant Examiner — Samantha Lynne Brodowski

(56) **References Cited**

U.S. PATENT DOCUMENTS

D23,414 S *	7/1894	Brodsky	D27/185
D175,075 S *	7/1955	Hurst	D3/242
D234,751 S *	4/1975	Millhiser	D9/706
D663,117 S *	7/2012	Schiffman	D3/232
D665,575 S *	8/2012	Bouskill	D3/232
D666,001 S *	8/2012	Phillips	D3/303
D749,319 S *	2/2016	Wright	D3/232
D757,425 S *	5/2016	Derusha	D3/232
D774,299 S *	12/2016	Anderson	D3/232
D801,691 S *	11/2017	Burgess	D3/320
D812,902 S *	3/2018	Derusha	D3/232
D812,903 S *	3/2018	Derusha	D3/232
D813,530 S *	3/2018	Derusha	D3/232
D818,705 S *	5/2018	Lee	D3/232
D836,340 S *	12/2018	Weiner	D3/303
D843,731 S *	3/2019	Morelli et al.	
D844,987 S *	4/2019	Nickels	D3/301
10,278,463 B2	5/2019	Osnowitz	

(57) **CLAIM**

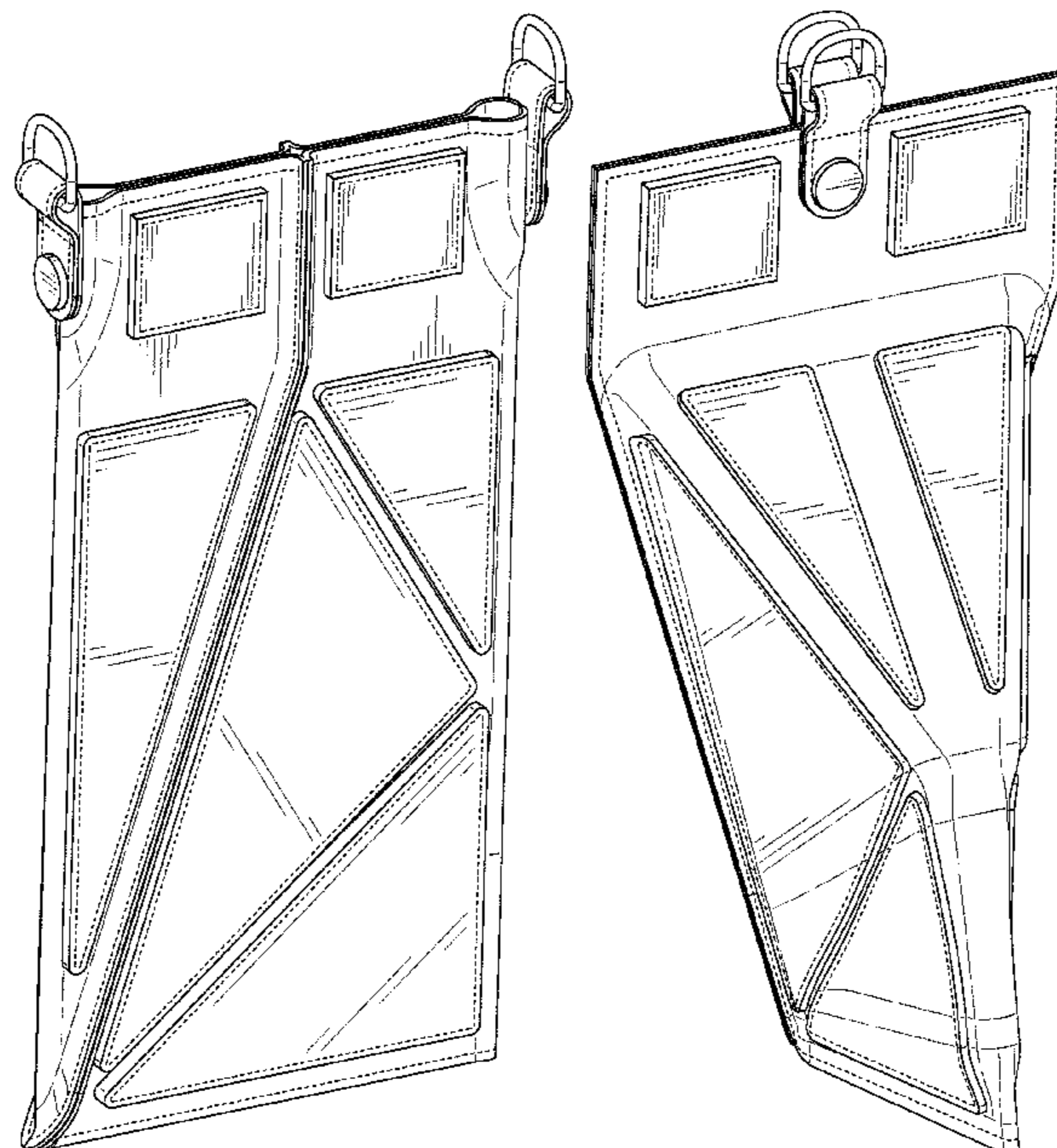
The ornamental design for a bag, as shown and described.

DESCRIPTION

FIG. 1 is a perspective view of a bag showing my new design;
 FIG. 2 is another perspective view thereof;
 FIG. 3 is a front elevational view thereof;
 FIG. 4 is a rear elevational view thereof;
 FIG. 5 is a left side elevational view thereof;
 FIG. 6 is a right side elevational view thereof;
 FIG. 7 is a top plan view thereof;
 FIG. 8 is a bottom plan view thereof;
 FIG. 9 is a perspective view of the bag where the bag is folded into an alternate configuration of use; and,
 FIG. 10 is another perspective view of the configuration of FIG. 9.

The evenly dashed broken lines in the drawings depict stitching of the bag and form no part of the claimed design. The dash-dot-dash broken lines in FIG. 7 depict portions of the article and form no part of the claimed design.

1 Claim, 10 Drawing Sheets



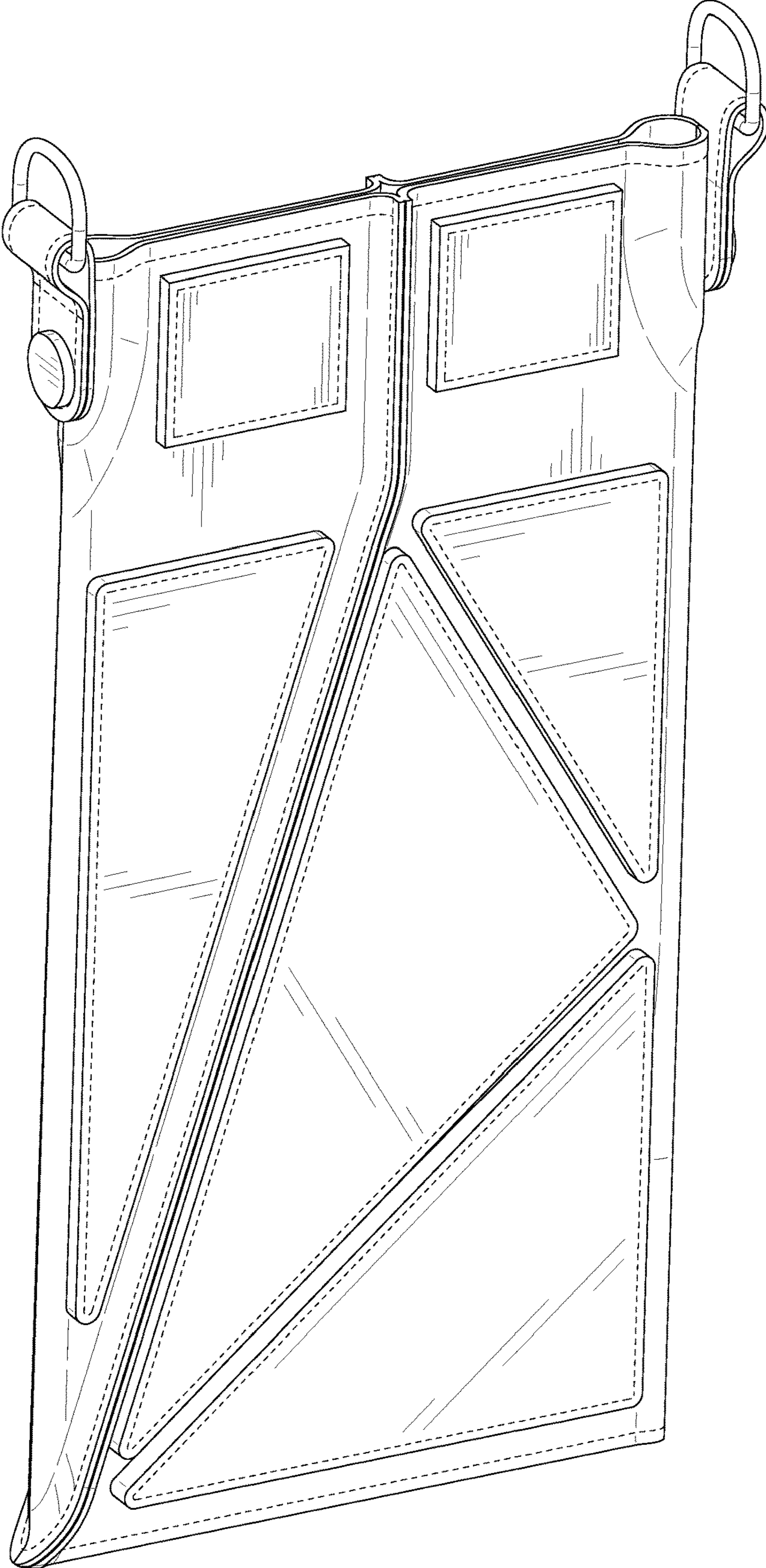


FIG. 1

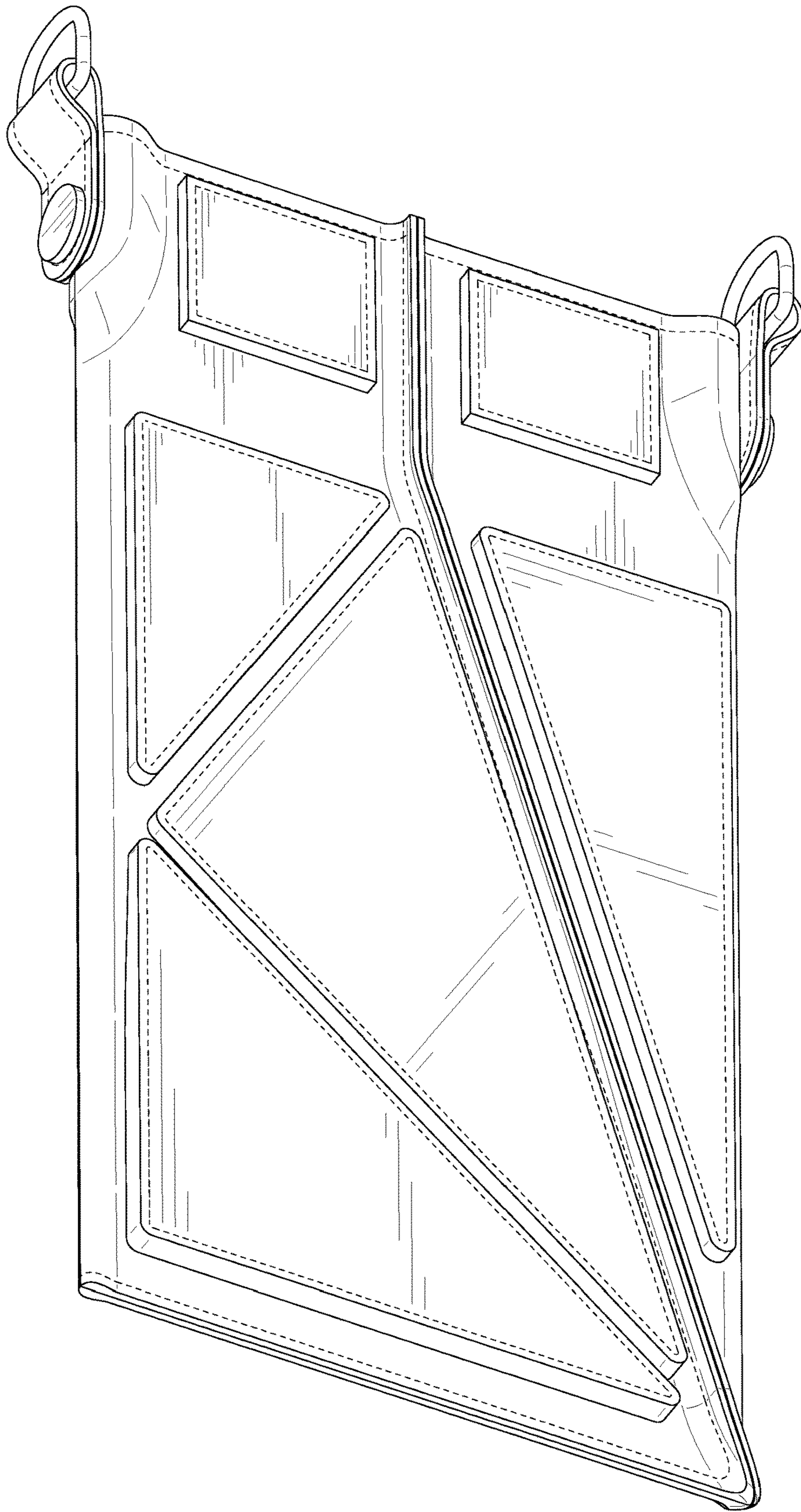


FIG. 2

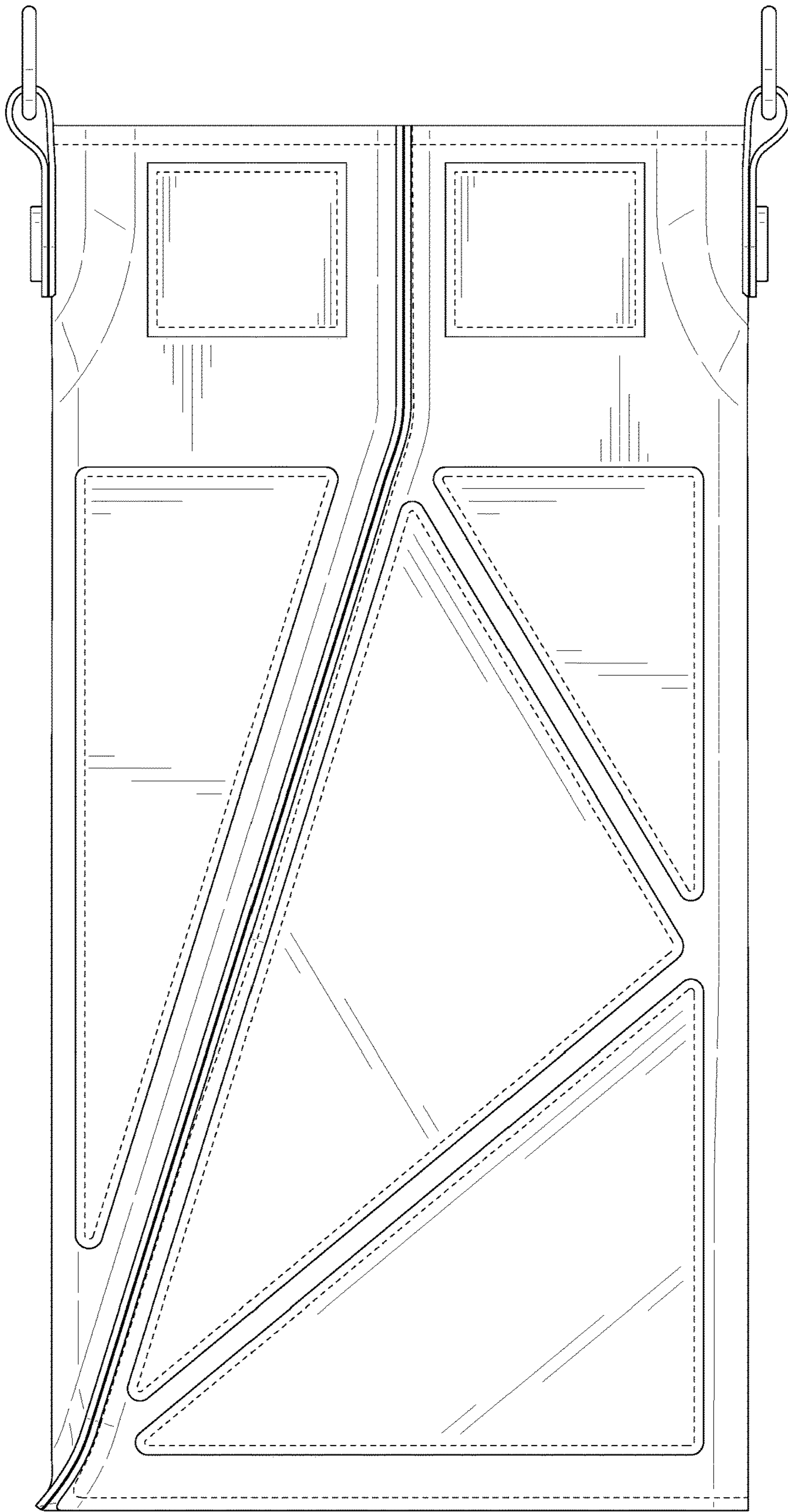


FIG. 3

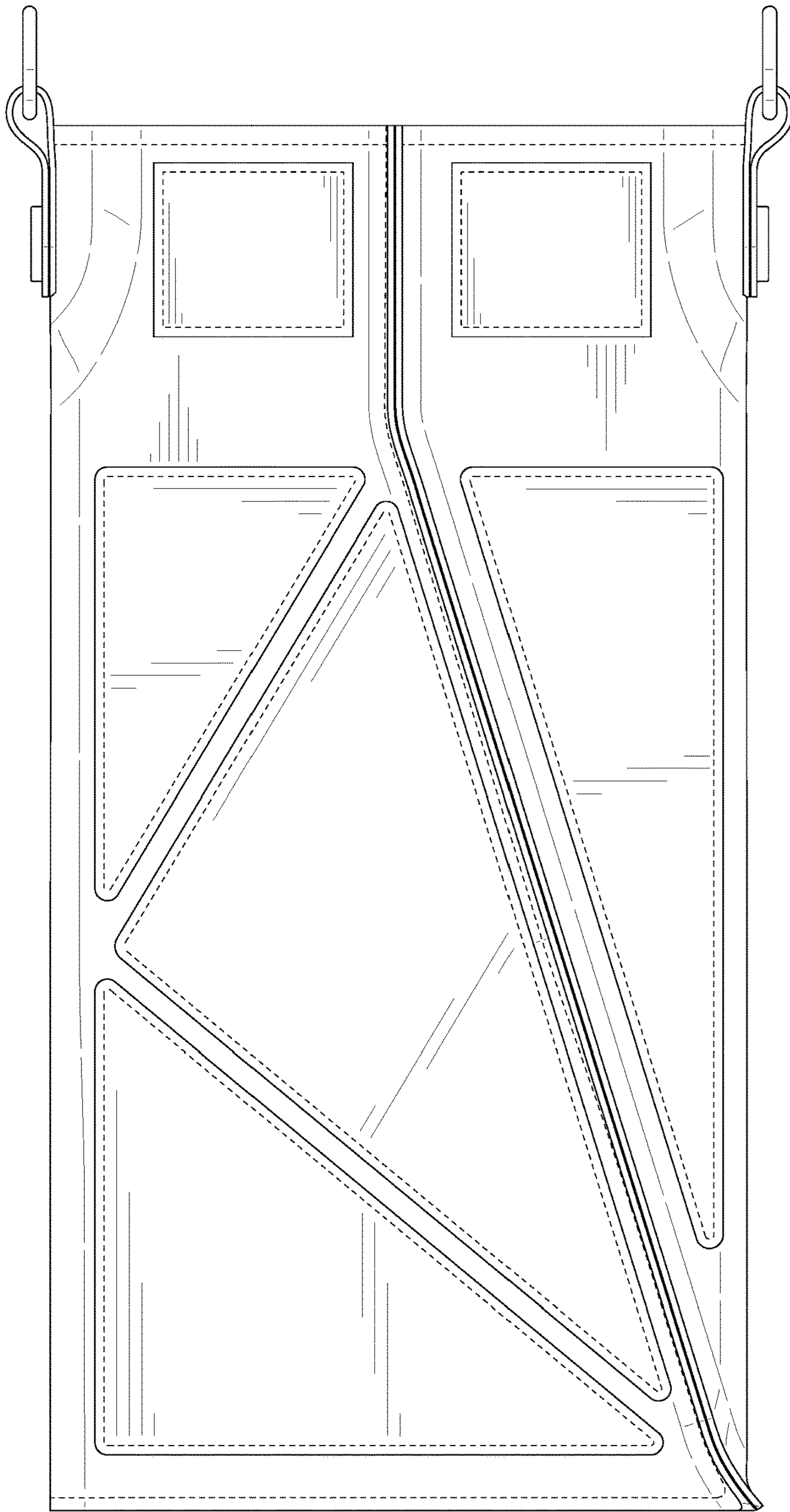


FIG. 4

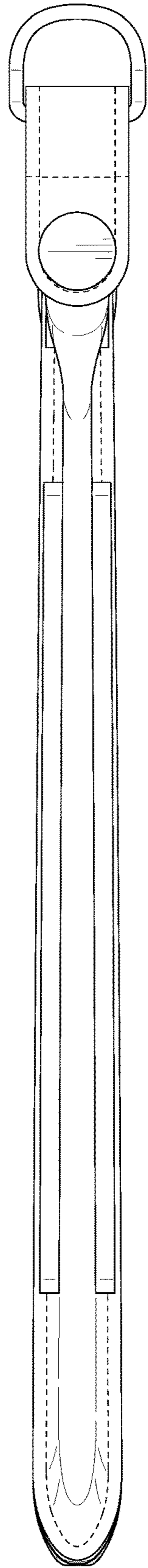


FIG. 5

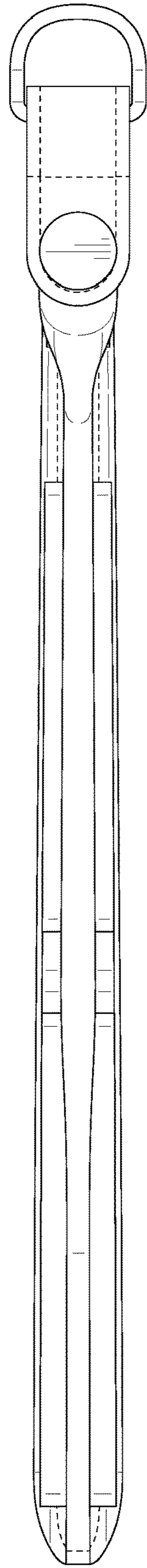


FIG. 6

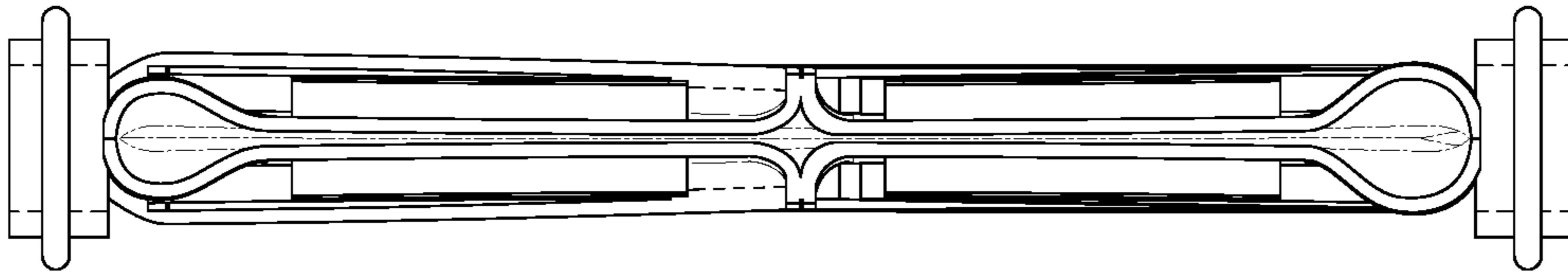


FIG. 7

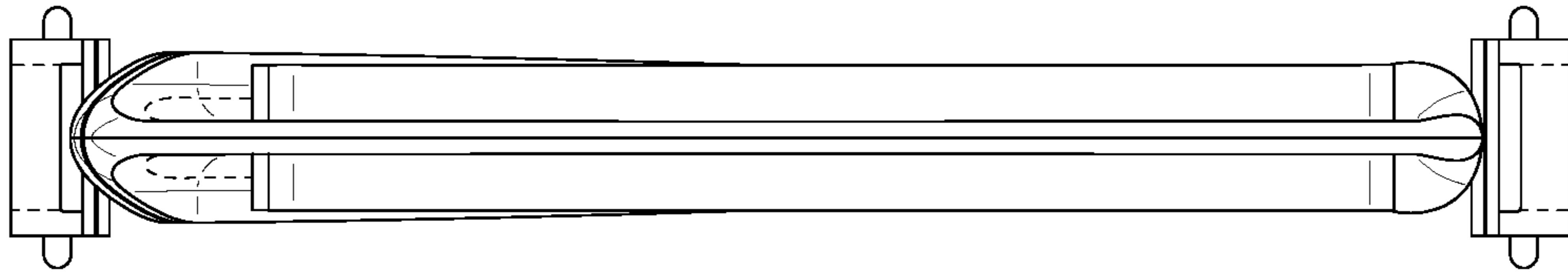


FIG. 8

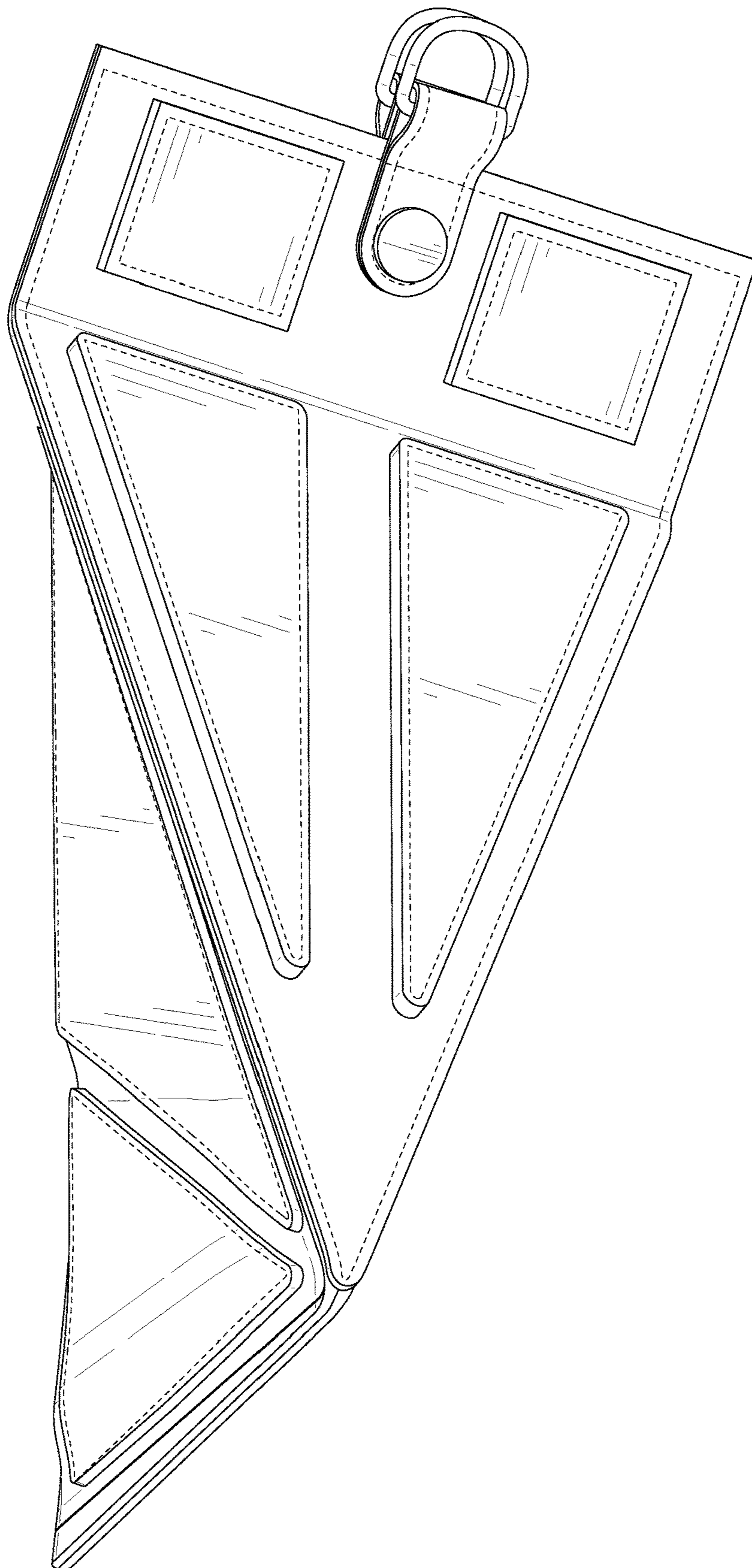


FIG. 9

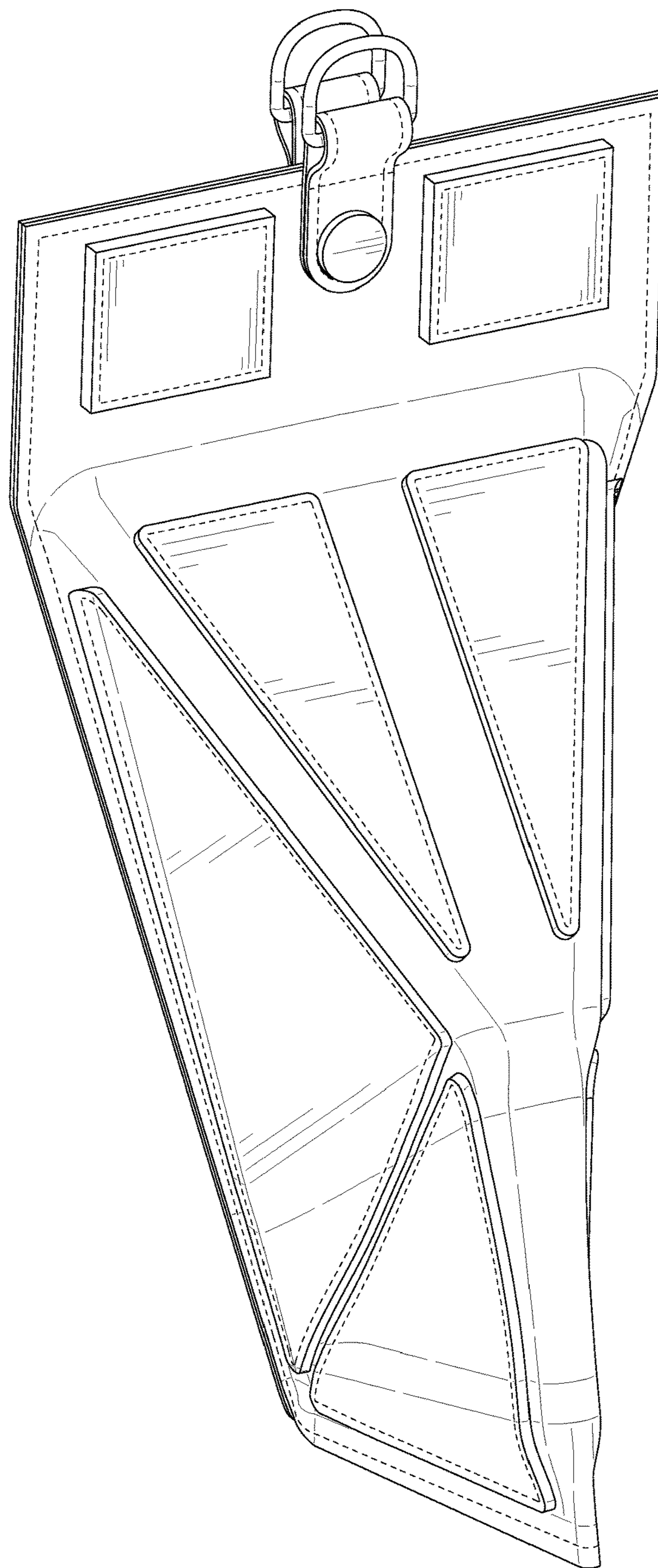


FIG. 10