



US00D933358S

(12) **United States Design Patent** (10) **Patent No.:** **US D933,358 S**
Natsume et al. (45) **Date of Patent:** **** Oct. 19, 2021**

(54) **BELT WITH DEVICE HOLDERS**
(71) Applicant: **Magic Leap, Inc.**, Plantation, FL (US)
(72) Inventors: **Shigeru Natsume**, Weston, FL (US);
Sebastian Gonzalo Arrieta Gunther,
Fort Lauderdale, FL (US)
(73) Assignee: **Magic Leap, Inc.**, Plantation, FL (US)
(**) Term: **15 Years**
(21) Appl. No.: **29/723,302**
(22) Filed: **Feb. 5, 2020**
(51) **LOC (13) Cl.** **03-01**
(52) **U.S. Cl.**
USPC **D3/224**
(58) **Field of Classification Search**
USPC D3/201, 215, 218, 224, 226, 228, 318,
D3/323, 324; D11/87, 94, 200, 201,
D11/208-210, 212, 214, 215, 216, 218,
D11/220, 221, 228; D24/184; D29/100,
D29/122; D30/139, 152, 153
CPC A44B 11/00; A44B 11/001; A44B 11/006;
A44B 11/04; A44B 11/06; A44B 11/065;
A44B 11/18; A44B 11/20; A44B 11/2538;
Y10T 24/498; Y10T 24/1467; Y10T
24/1488; A45F 2200/0516; A45F
2200/0575; A45F 3/005; A45F 3/14;
A45F 2003/144; A45F 5/021
See application file for complete search history.

(56) **References Cited**

U.S. PATENT DOCUMENTS

D344,178 S * 2/1994 Zinck D3/226
D404,199 S * 1/1999 Letson D3/228
6,357,641 B1 * 3/2002 Cheng A45C 11/00
224/242
6,484,918 B1 * 11/2002 Lefebvre A45F 5/02
181/131

D482,863 S * 12/2003 Flood D3/224
D483,939 S * 12/2003 Kountz D3/215
6,698,632 B1 * 3/2004 Turner, Jr. A45F 5/021
224/196
D492,478 S * 7/2004 Hadley D3/220
D495,871 S * 9/2004 Moffitt D3/215
D496,787 S * 10/2004 Cabrera D3/228
D507,871 S * 8/2005 DiMarchi D3/215
D510,480 S * 10/2005 McCarter D3/224
D511,890 S * 11/2005 Burns D3/226
D545,812 S * 7/2007 Grady D14/217
D559,531 S * 1/2008 Koppe D27/186
D570,100 S * 6/2008 Chen D3/218
D591,499 S * 5/2009 Ross, III D3/218
D668,003 S * 9/2012 Pozzolini D30/152
D708,847 S * 7/2014 Goddard D3/224
D711,092 S * 8/2014 Lockhart-Adams D3/228

(Continued)

FOREIGN PATENT DOCUMENTS

EM 001479604-0001 * 1/2021

Primary Examiner — Kevin K Rudzinski
Assistant Examiner — Richard Kearney
(74) *Attorney, Agent, or Firm* — Fish & Richardson P.C.

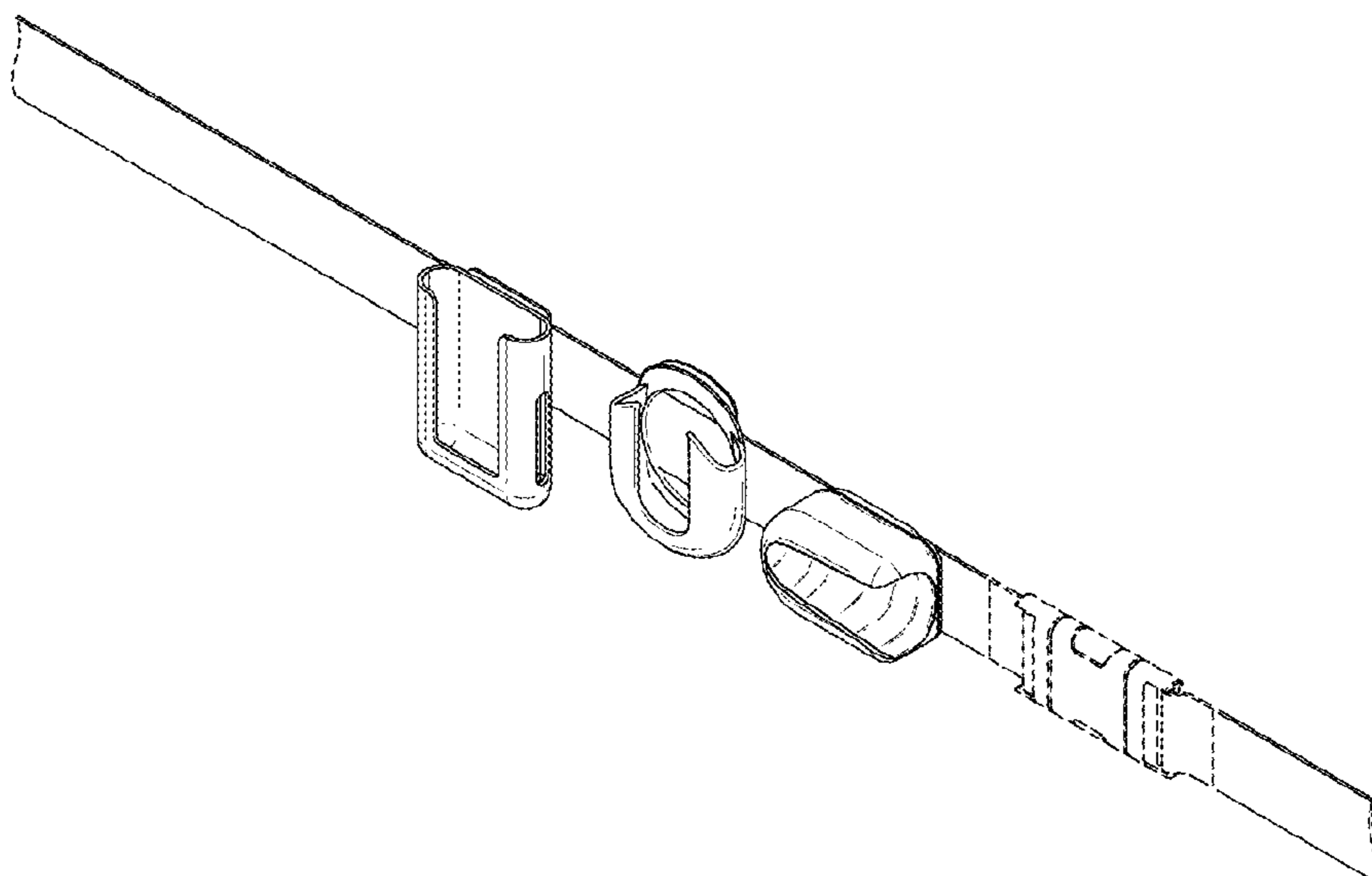
(57) **CLAIM**

The ornamental design for a belt with device holders, as shown and described.

DESCRIPTION

FIG. 1 is a top perspective view of the belt with device holders.
FIG. 2 is a front view thereof.
FIG. 3 is a back view thereof.
FIG. 4 is a left side view thereof.
FIG. 5 is a right side view thereof.
FIG. 6 is a top view thereof; and,
FIG. 7 is a bottom view thereof.
The broken lines illustrate environmental features that form no part of the claimed design.

1 Claim, 4 Drawing Sheets



(56)

References Cited

U.S. PATENT DOCUMENTS

D776,916	S	*	1/2017	Yeruva	D3/218
D799,814	S	*	10/2017	Reed	D3/215
D808,641	S	*	1/2018	Clover	D3/218
D820,585	S	*	6/2018	O'Brien	D3/224
D838,471	S	*	1/2019	Young	D3/201
D866,957	S	*	11/2019	Ross	D3/218
D876,083	S	*	2/2020	Hamilton	D3/218
D888,042	S	*	6/2020	Wright	D14/250
D893,857	S	*	8/2020	Ricard	D3/201
D920,662	S	*	6/2021	Youn	D3/218
2004/0065709	A1	*	4/2004	Dillenberger	A45F 5/02 224/682
2011/0062203	A1	*	3/2011	Weger	A45F 5/021 224/666
2012/0286012	A1	*	11/2012	Flis	A45F 5/021 224/665
2013/0299533	A1	*	11/2013	Gronewoller	A45F 5/021 224/191
2014/0263521	A1	*	9/2014	Hamilton	A45F 5/021 224/675
2018/0348826	A1		12/2018	Aguirre et al.	

* cited by examiner

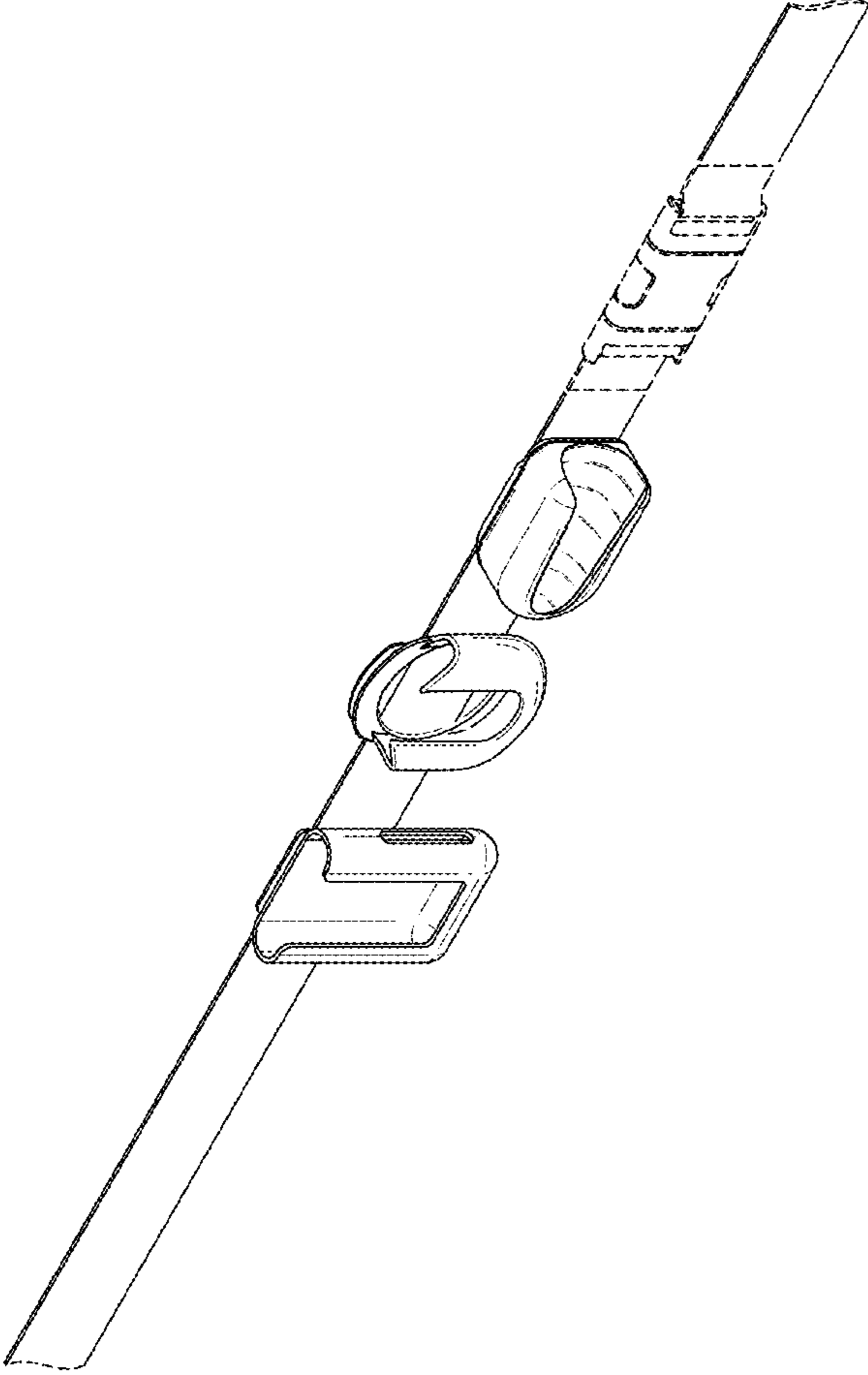


FIG. 1

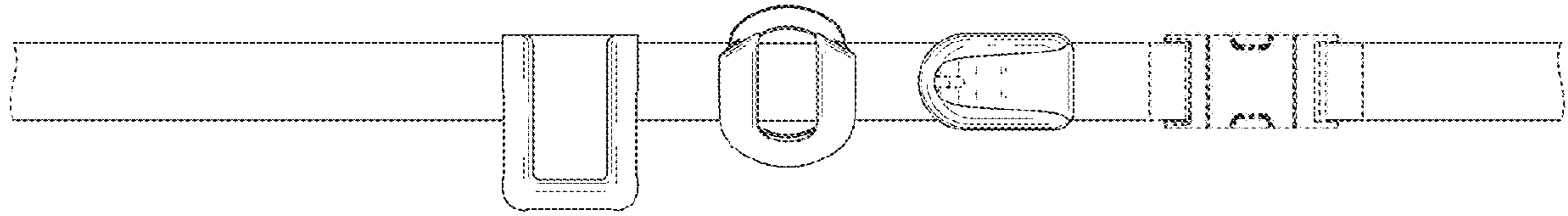


FIG. 2

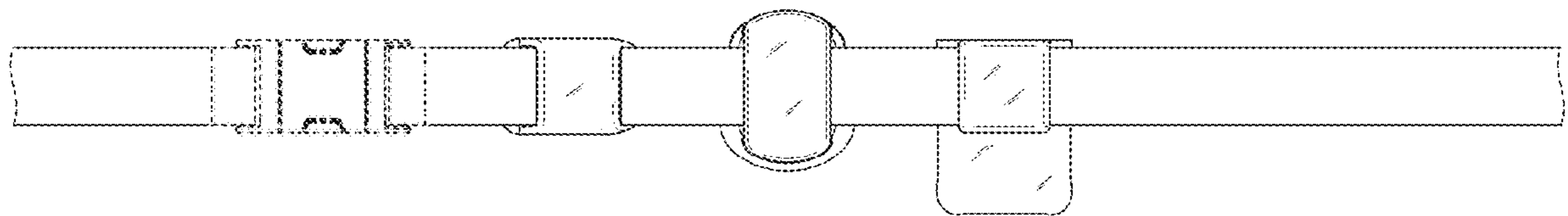


FIG. 3



FIG. 4



FIG. 5

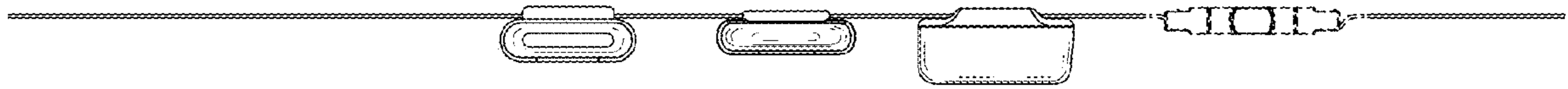


FIG. 6

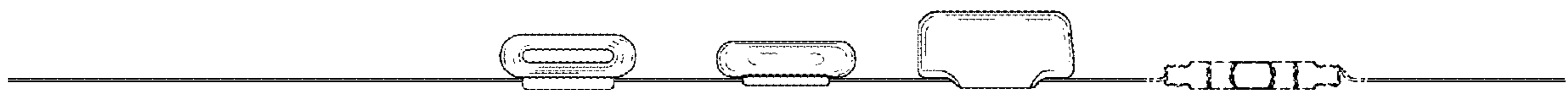


FIG. 7