



US00D933356S

(12) **United States Design Patent** (10) **Patent No.:** **US D933,356 S**
Elmberg (45) **Date of Patent:** **** Oct. 19, 2021**

(54) **PART OF A BABY CARRIER**

(71) Applicant: **BabyBjörn AB**, Solna (SE)
(72) Inventor: **Lisen Elmberg**, Stockholm (SE)
(73) Assignee: **BabyBjörn AB**, Solna (SE)
(**) Term: **15 Years**

(21) Appl. No.: **29/660,494**
(22) Filed: **Aug. 21, 2018**

(30) **Foreign Application Priority Data**

Feb. 21, 2018 (EM) 004718856

(51) **LOC (13) Cl.** **03-99**

(52) **U.S. Cl.**
USPC **D3/214**

(58) **Field of Classification Search**
USPC D3/213, 214, 215, 216

(Continued)

(56) **References Cited**

U.S. PATENT DOCUMENTS

4,492,326 A * 1/1985 Storm A47D 13/025
224/159
7,322,498 B2 * 1/2008 Frost A47D 13/025
224/160

(Continued)

Primary Examiner — Mark A Goodwin

Assistant Examiner — Benjamin M Weeks

(74) *Attorney, Agent, or Firm* — Studebaker & Brackett
PC

(57) **CLAIM**

The ornamental design for a part of a baby carrier, as shown and described.

DESCRIPTION

FIG. 1 is a rear perspective view showing my new design for a part of a baby carrier,

FIG. 2 is a front perspective view thereof,
FIG. 3 is a rear thereof,
FIG. 4 is a front view thereof,
FIG. 5 is a left view thereof, the opposite side being a mirror image,
FIG. 6 is a top view thereof,
FIG. 7 is a bottom view thereof,
FIG. 8 is a reference view of a rear perspective view thereof,
FIG. 9 is a reference view of a front perspective view thereof,
FIG. 10 is a reference view of a rear view thereof,
FIG. 11 is a reference view of a front view thereof,
FIG. 12 is a reference view of a left view thereof, the opposite side being a mirror image,
FIG. 13 is a reference view of a top view thereof,
FIG. 14 is a reference view of a bottom view thereof,
FIG. 15 is a rear perspective view of an alternate embodiment,
FIG. 16 is a front perspective view thereof,
FIG. 17 is a rear view thereof,
FIG. 18 is a front view thereof,
FIG. 19 is a left view thereof, the opposite side being a mirror image,
FIG. 20 is a top view thereof,
FIG. 21 is a bottom view thereof,
FIG. 22 is a reference view of a rear perspective view thereof,
FIG. 23 is a reference view of a front perspective view thereof,
FIG. 24 is a reference view of a rear view thereof,
FIG. 25 is a reference view of a front view thereof,
FIG. 26 is a reference view of a left view thereof, the opposite side being a mirror image,
FIG. 27 is a reference view of a top view thereof,
FIG. 28 is a reference view of a bottom view thereof,
FIG. 29 is a rear perspective view of another alternate embodiment,
FIG. 30 is a front perspective view thereof,
FIG. 31 is a rear view thereof,
FIG. 32 is a front view thereof,
FIG. 33 is a left view thereof, the opposite side being a mirror image,
FIG. 34 is a top view thereof,
FIG. 35 is a bottom view thereof,

(Continued)

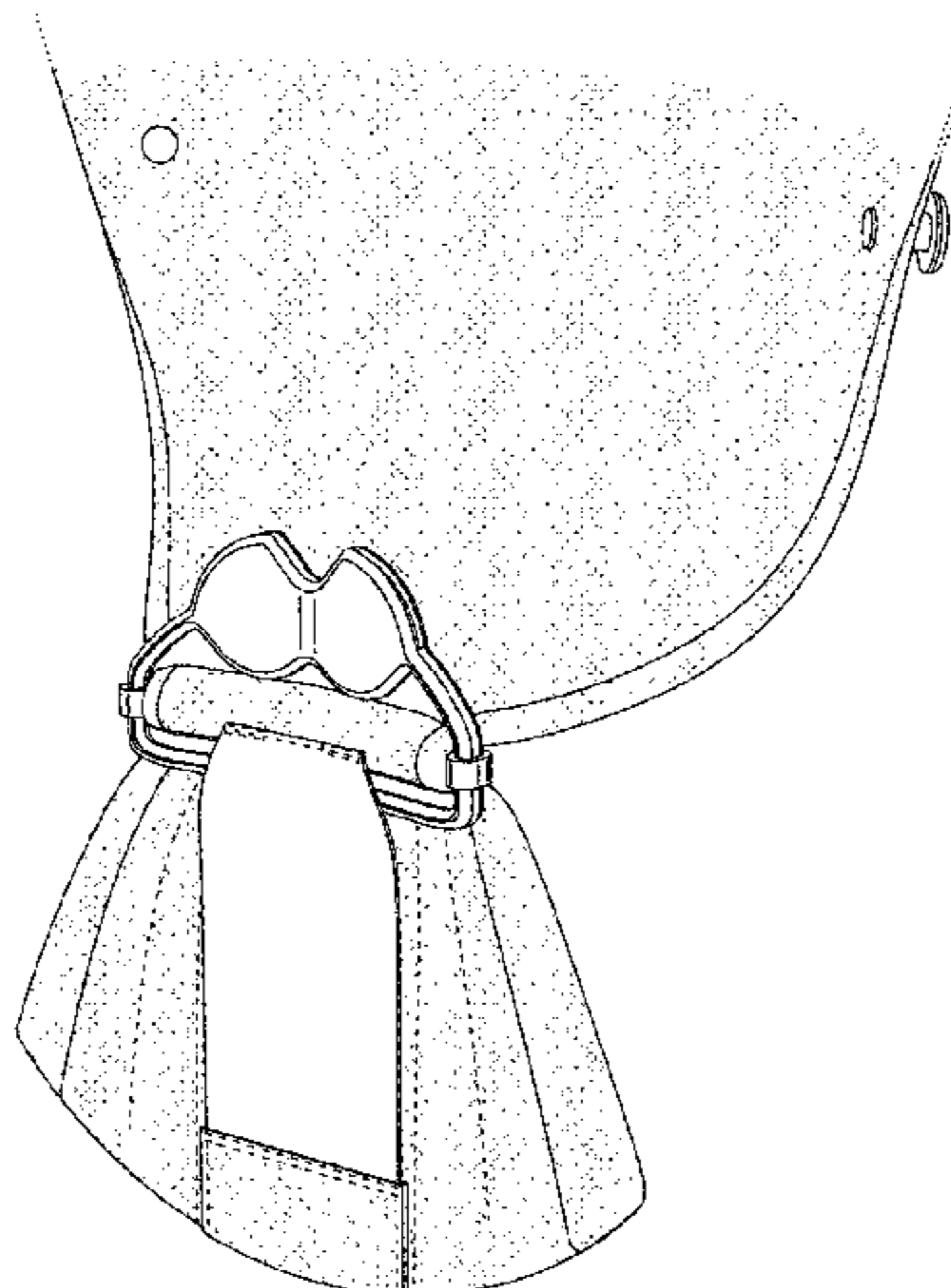


FIG. 36 is a reference view of a rear perspective view thereof,
 FIG. 37 is a reference view of a front perspective view thereof,
 FIG. 38 is a reference view of a rear view thereof,
 FIG. 39 is a reference view of a front view thereof,
 FIG. 40 is a reference view of a left view thereof, the opposite side being a mirror image,
 FIG. 41 is a reference view of a top view thereof; and,
 FIG. 42 is a reference view of a bottom view thereof.
 The dotted lines are for reference only and form no part of the claimed design. The dashed lines represent stitching and form part of the claimed design.

1 Claim, 42 Drawing Sheets

(58) **Field of Classification Search**
 CPC A47D 13/02; A47D 13/025; A47D 15/00
 See application file for complete search history.

(56)

References Cited

U.S. PATENT DOCUMENTS

D672,546	S	*	12/2012	Dror	D3/214
D738,614	S	*	9/2015	Chapman	D3/214
D738,615	S	*	9/2015	Chapman	D3/214
9,185,993	B2	*	11/2015	Telford	A47D 13/025
D784,686	S	*	4/2017	Praamsma	D3/219
D844,973	S	*	4/2019	Gibbons	D3/214
D876,824	S	*	3/2020	Young	D3/214
D882,244	S	*	4/2020	Gibbons	D3/214
2017/0196374	A1	*	7/2017	Chen	A47D 13/025
2017/0332806	A1	*	11/2017	Liu	A47D 13/025
2018/0228299	A1	*	8/2018	Gibbons	A47D 13/025
2018/0263857	A1	*	9/2018	Gibbons	A41D 1/215
2019/0014920	A1	*	1/2019	Matsuyama	A47D 13/025
2019/0075936	A1	*	3/2019	Salazar	A45F 3/047

* cited by examiner

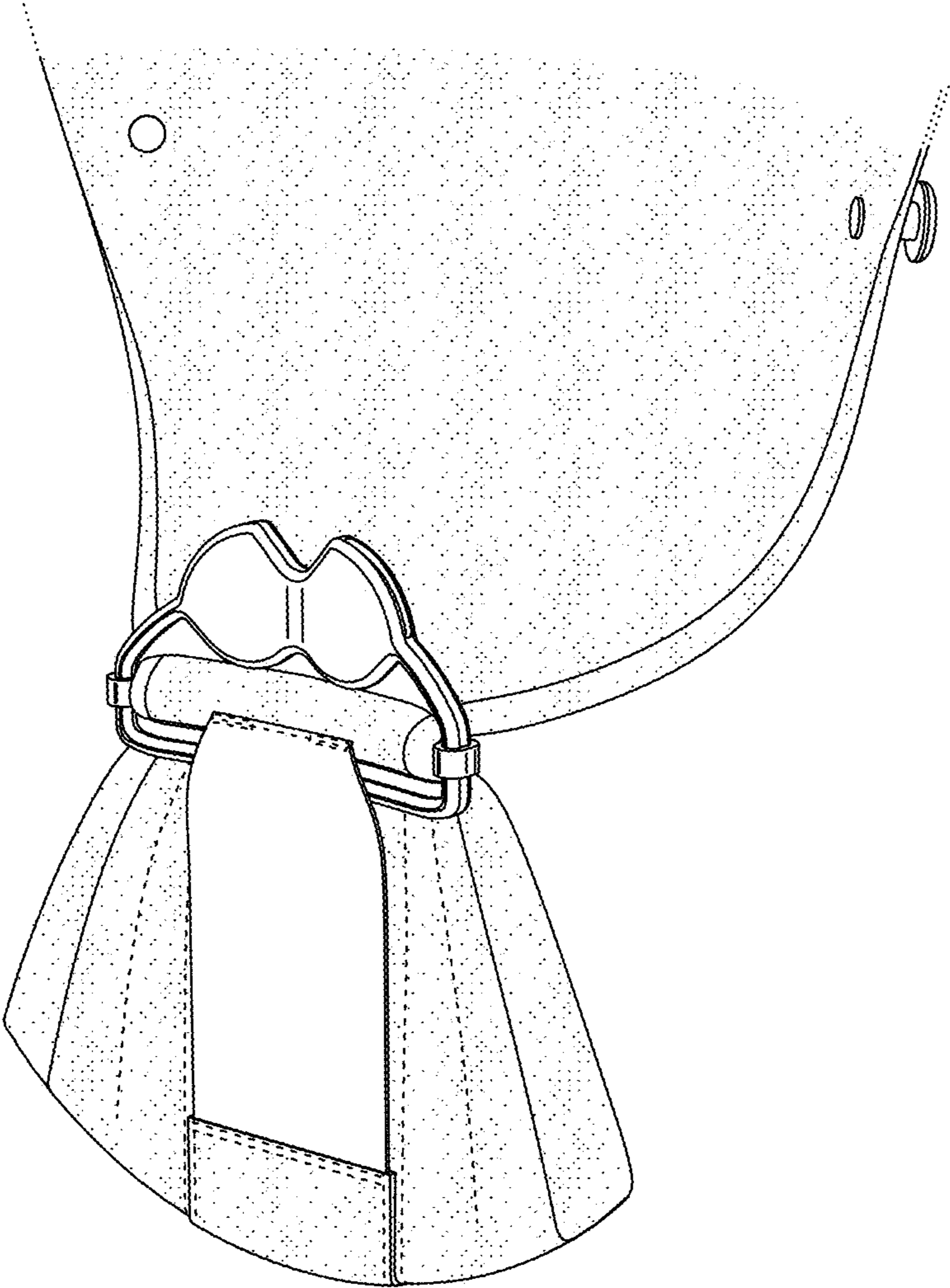


FIG. 1

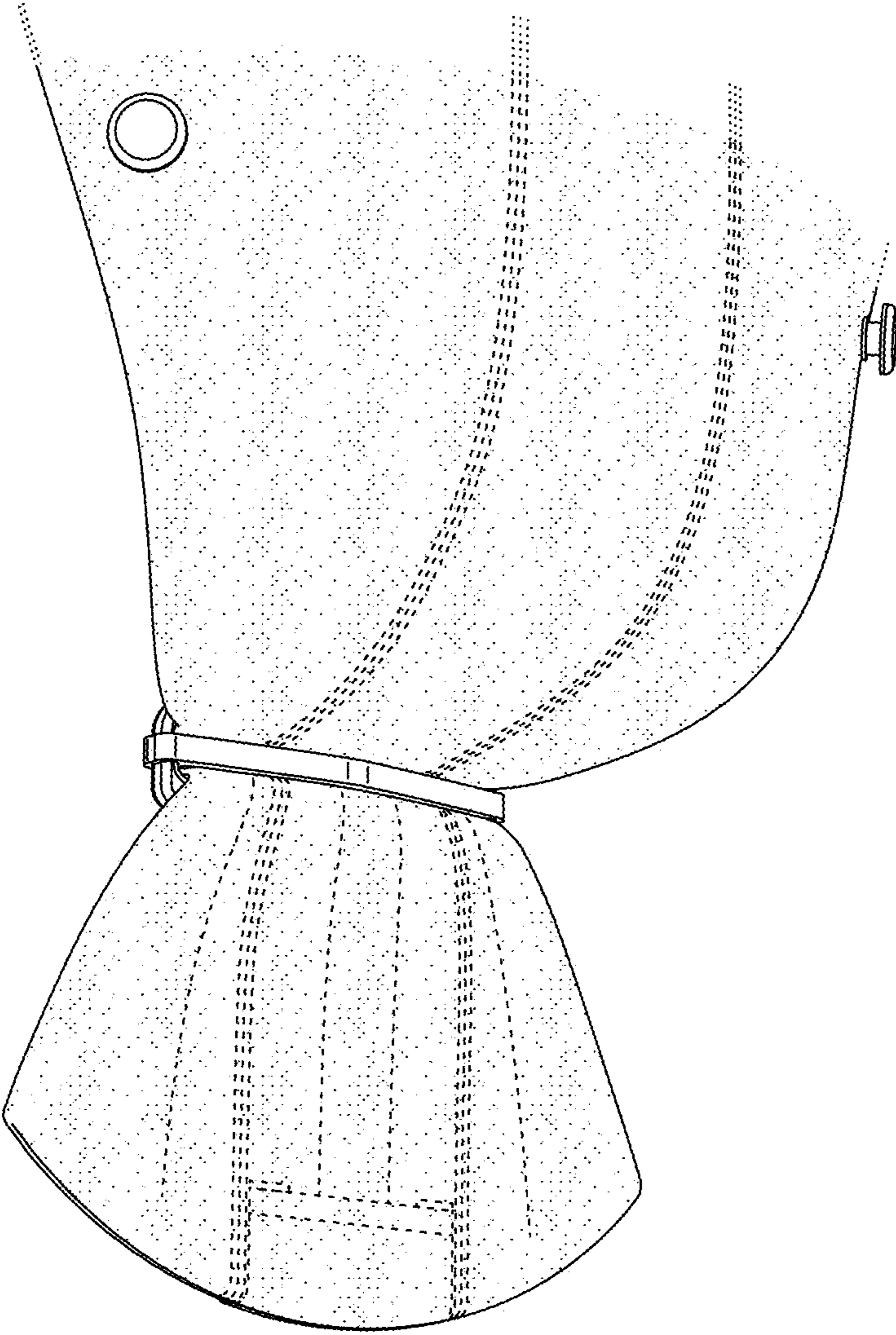


FIG. 2

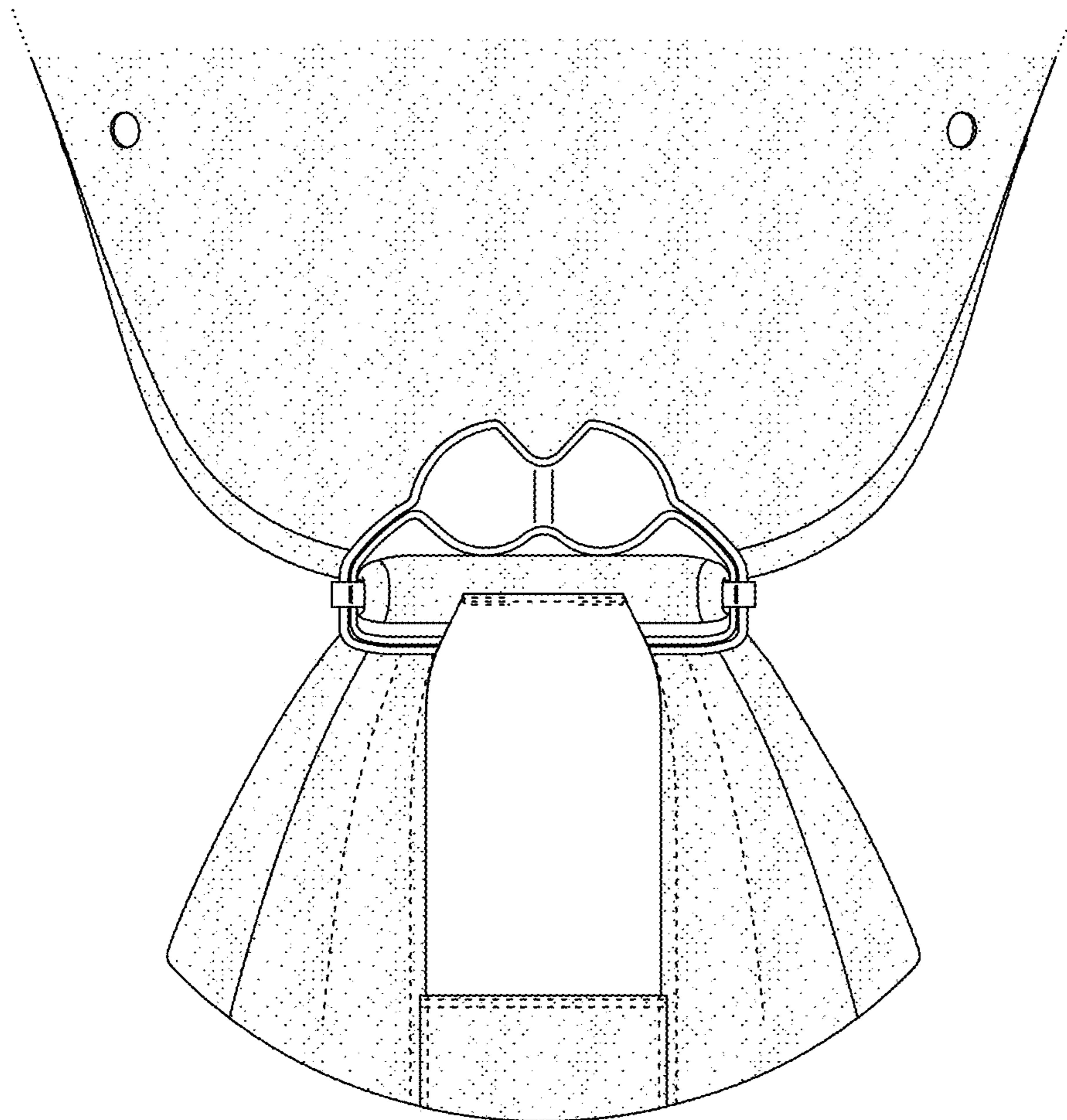


FIG. 3

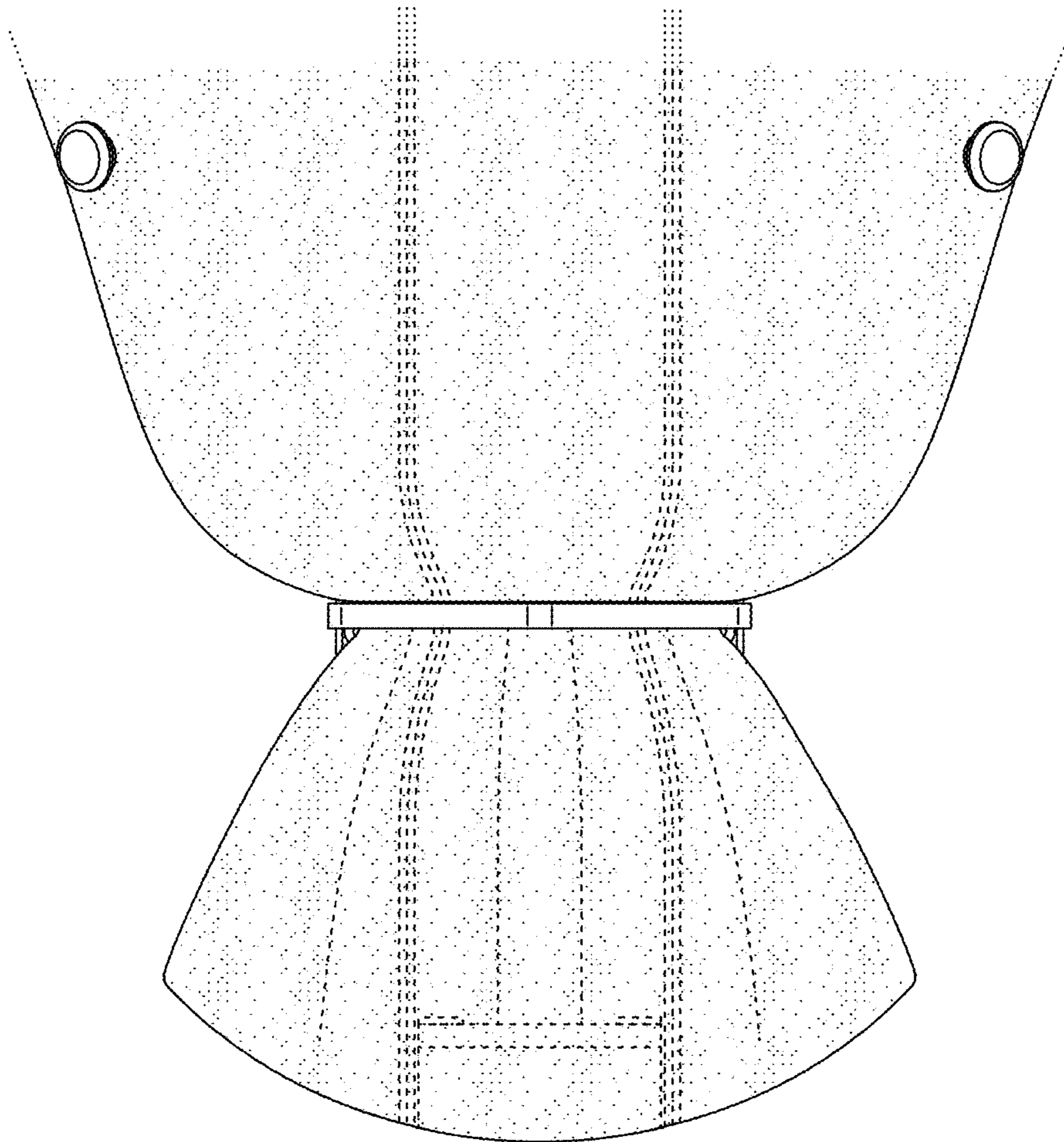


FIG. 4

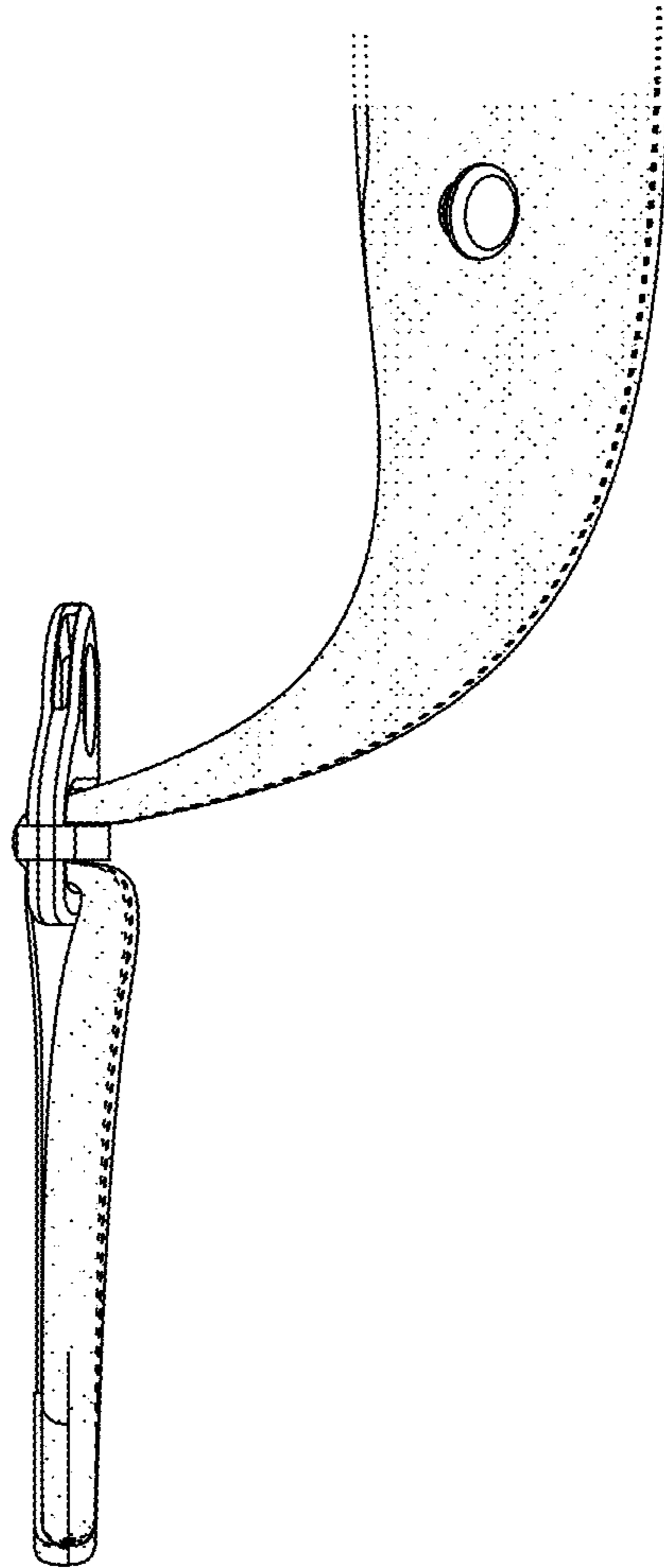


FIG. 5

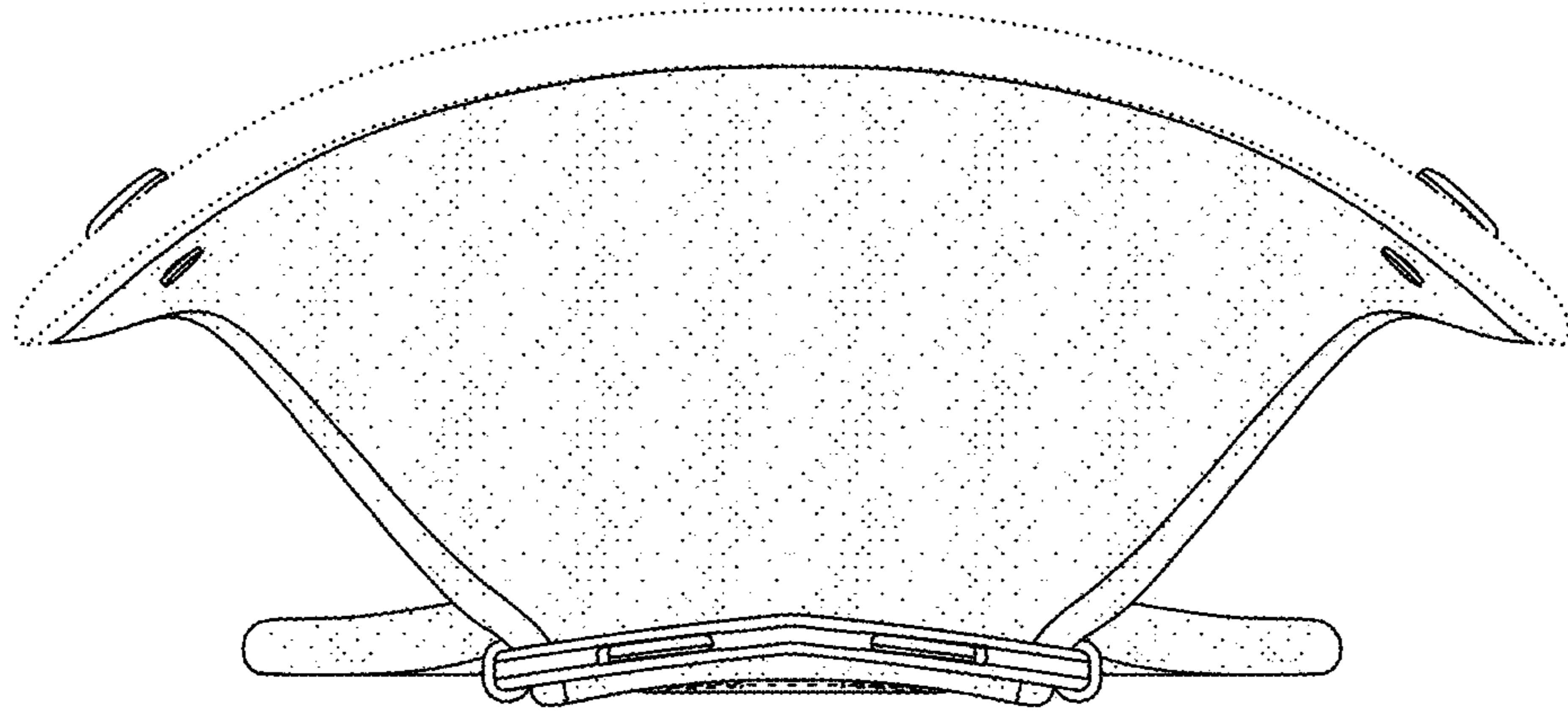


FIG. 6

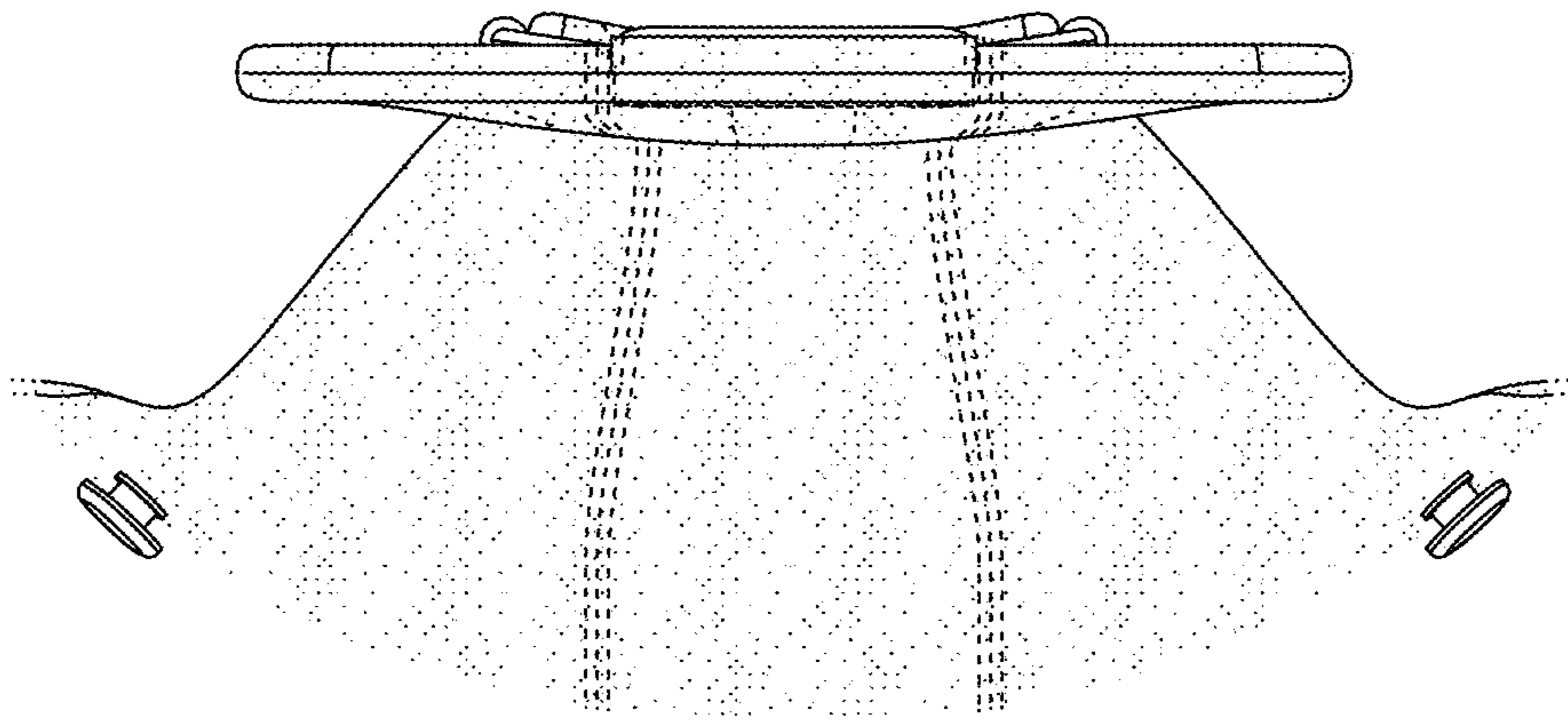


FIG. 7

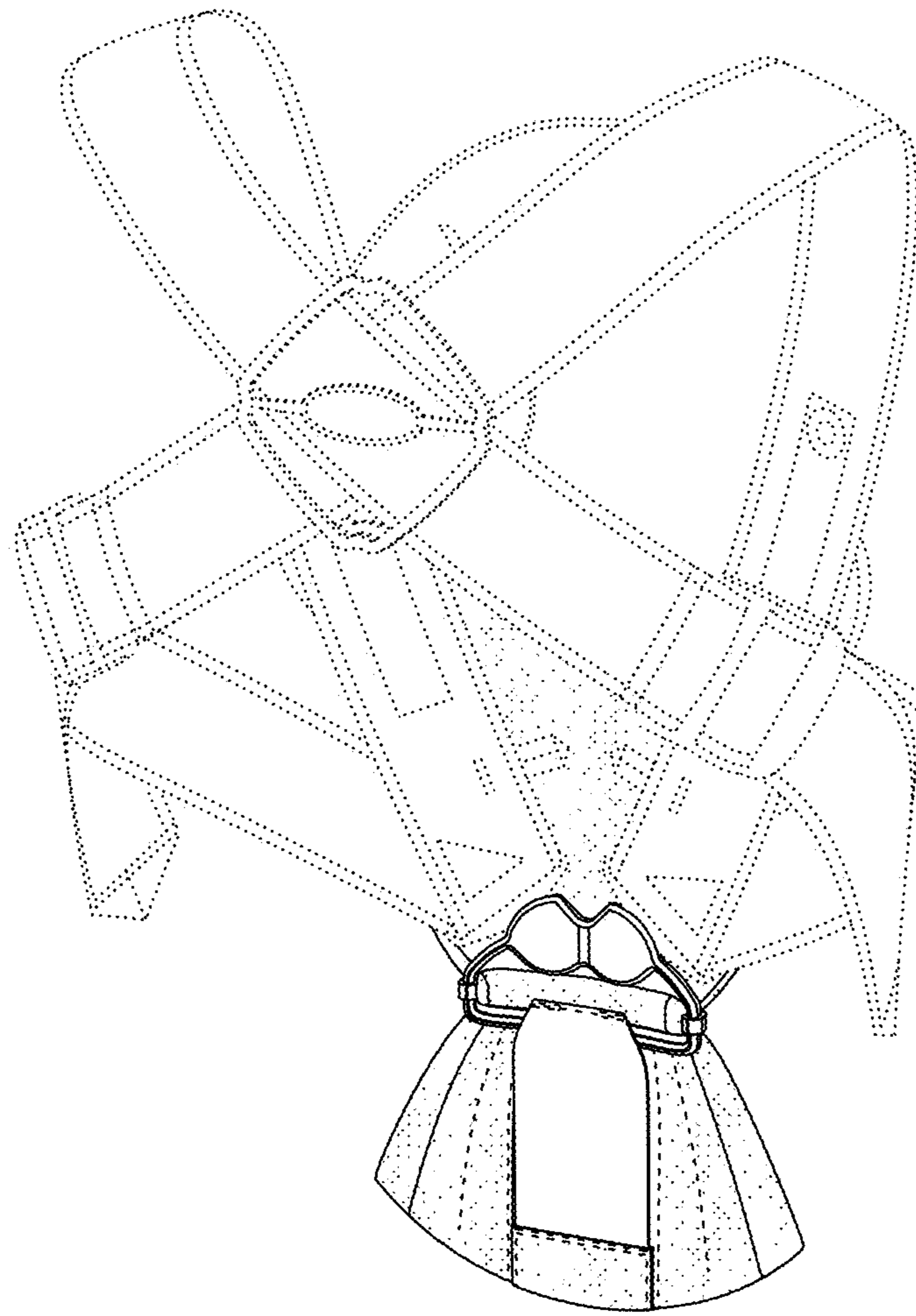


FIG. 8

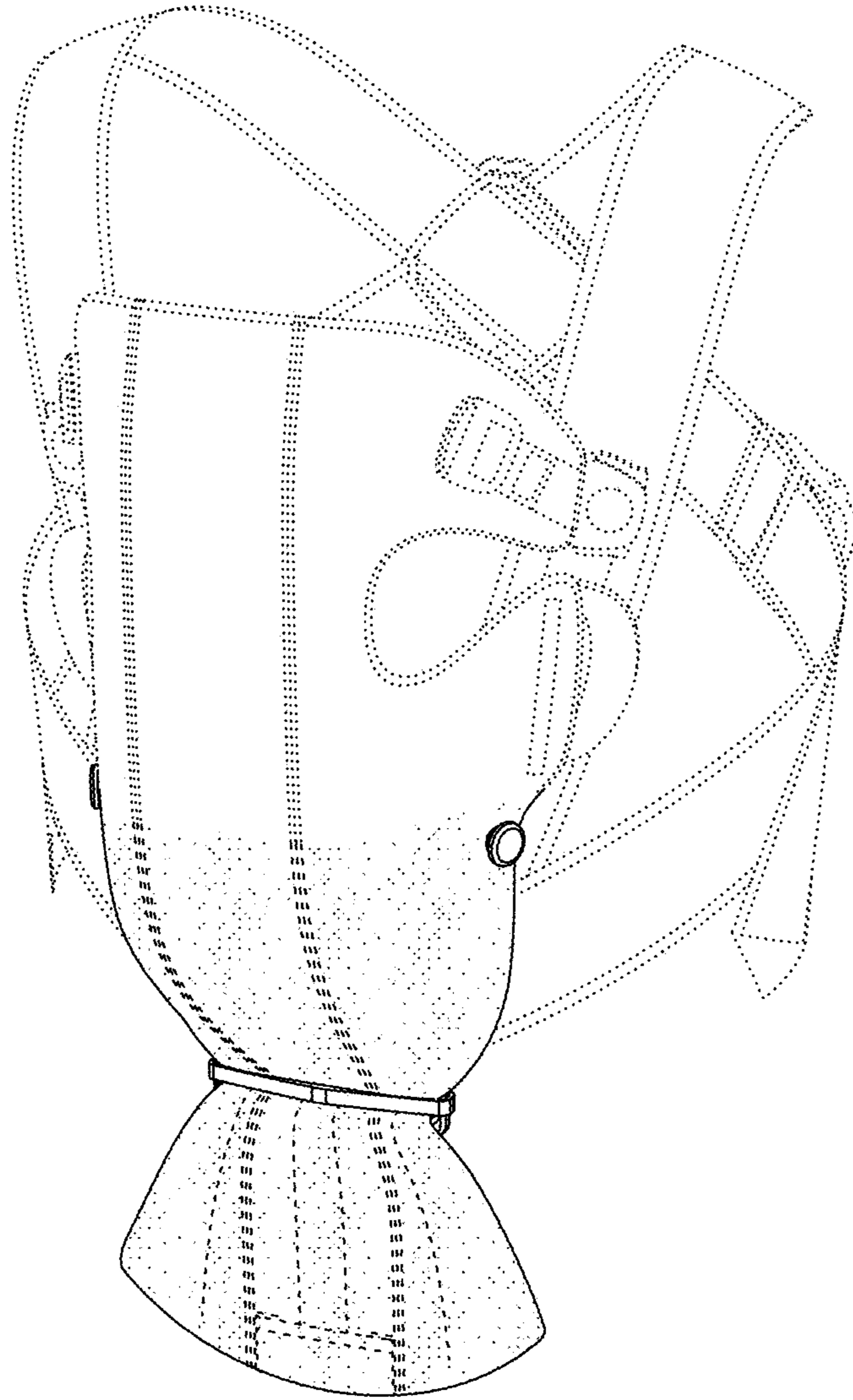


FIG. 9

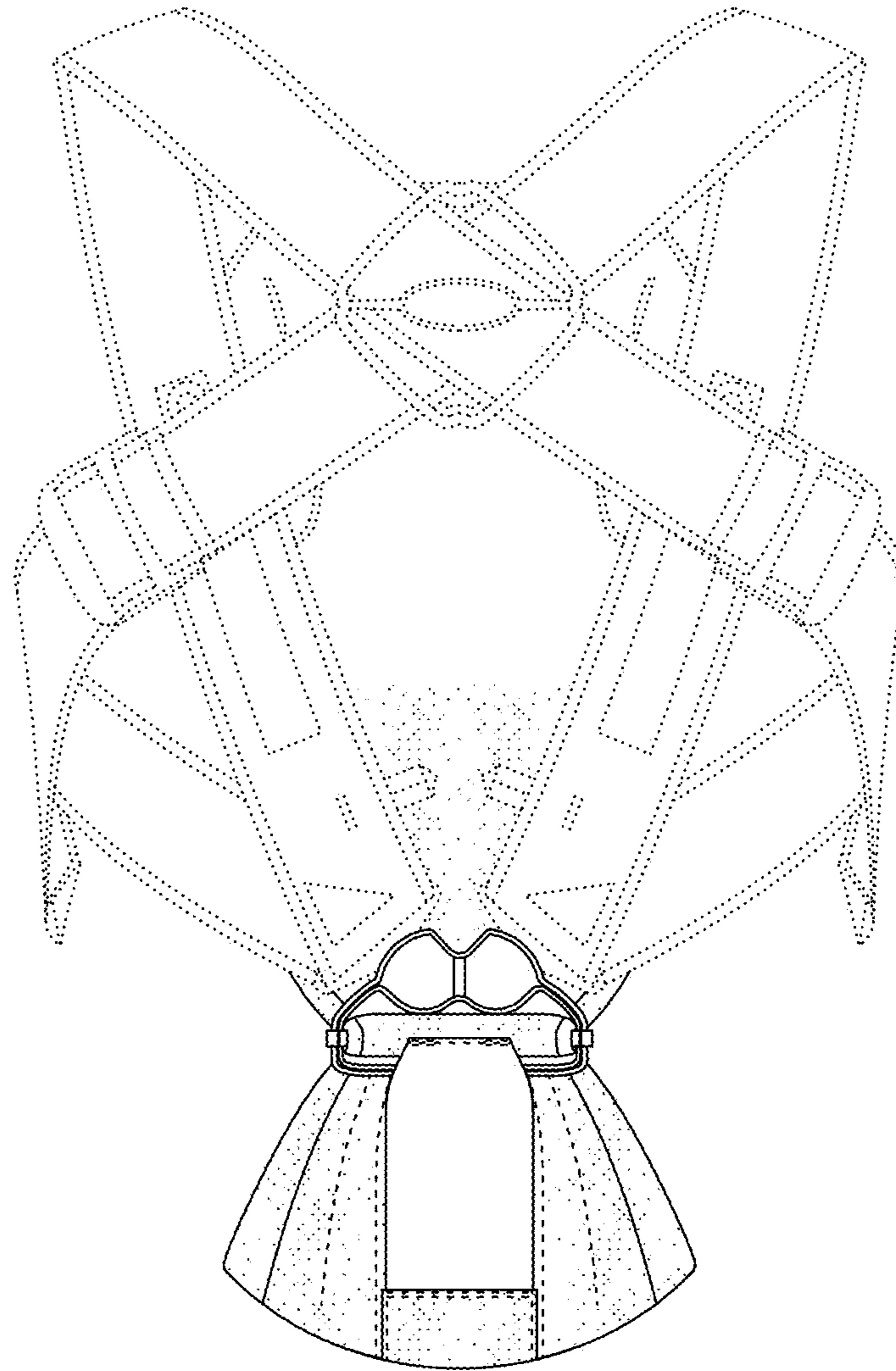


FIG. 10

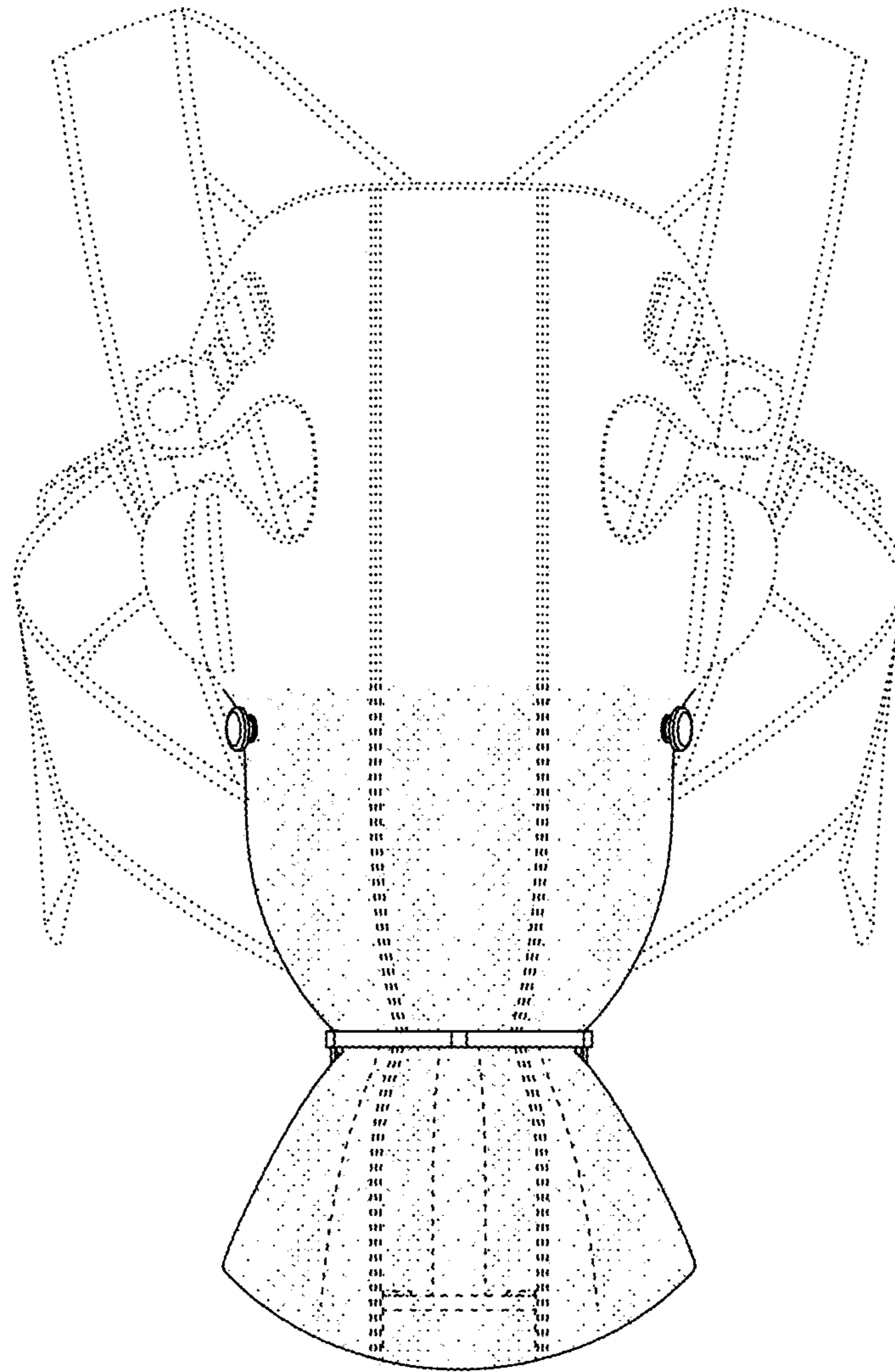


FIG. 11

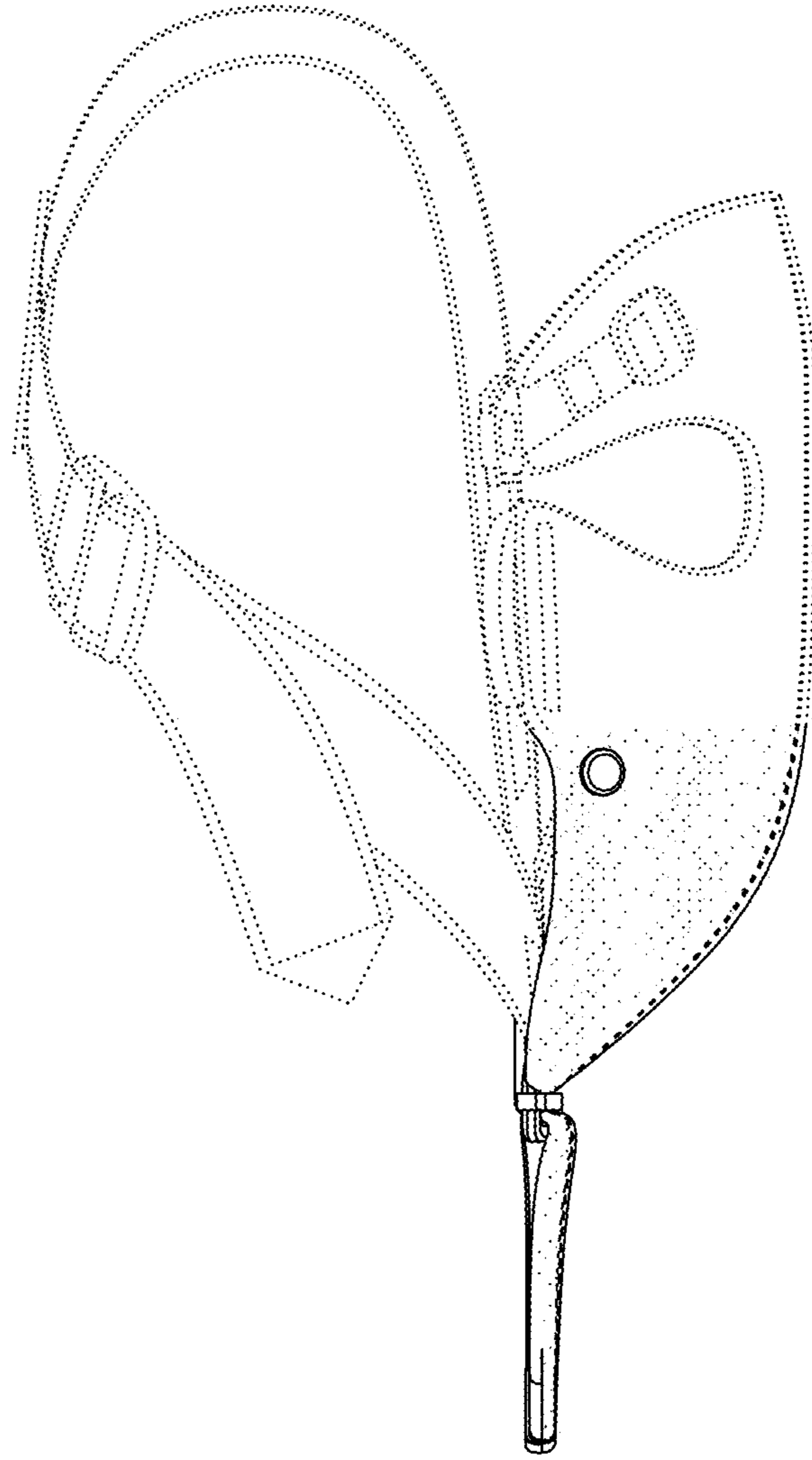


FIG. 12

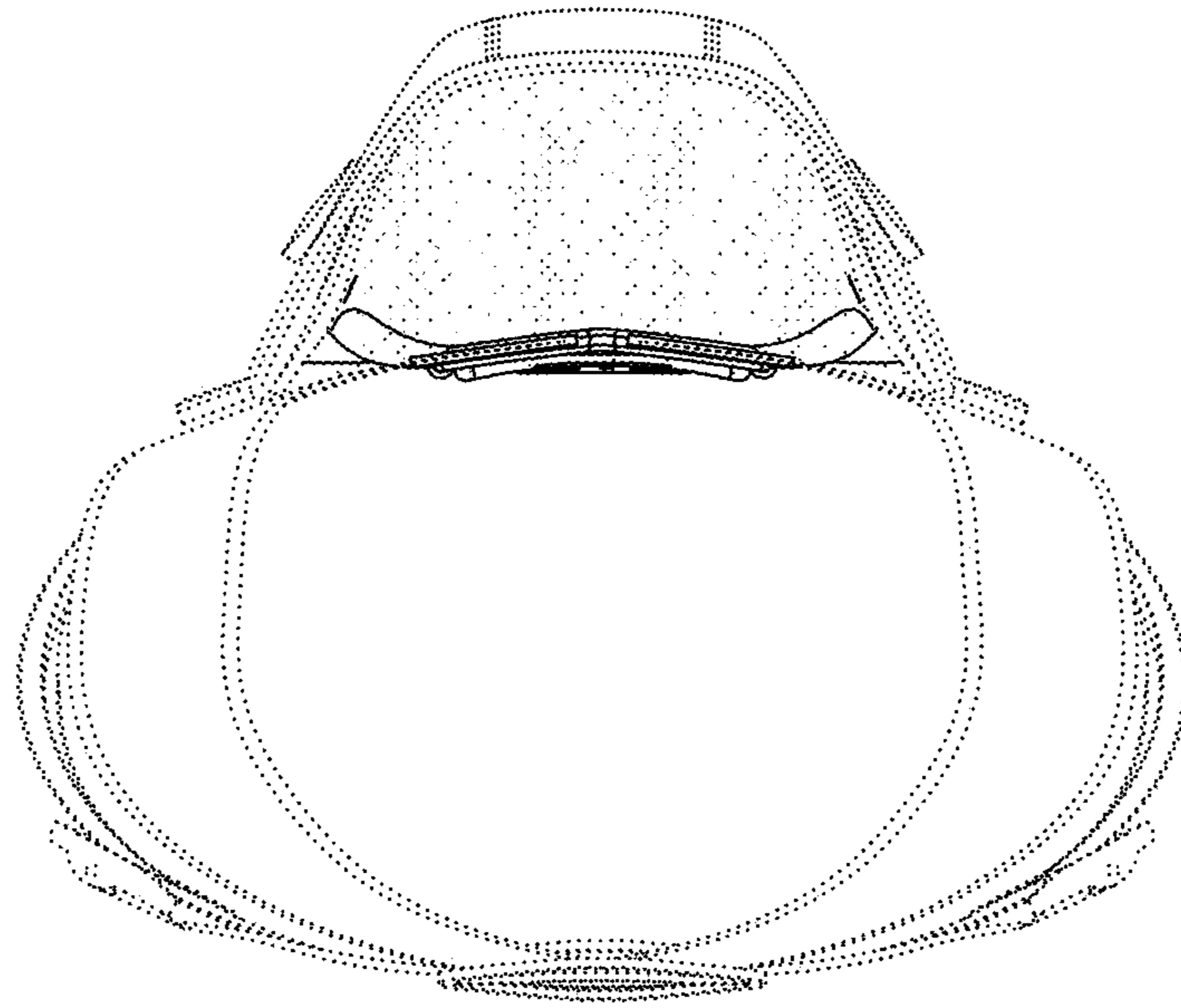


FIG. 13

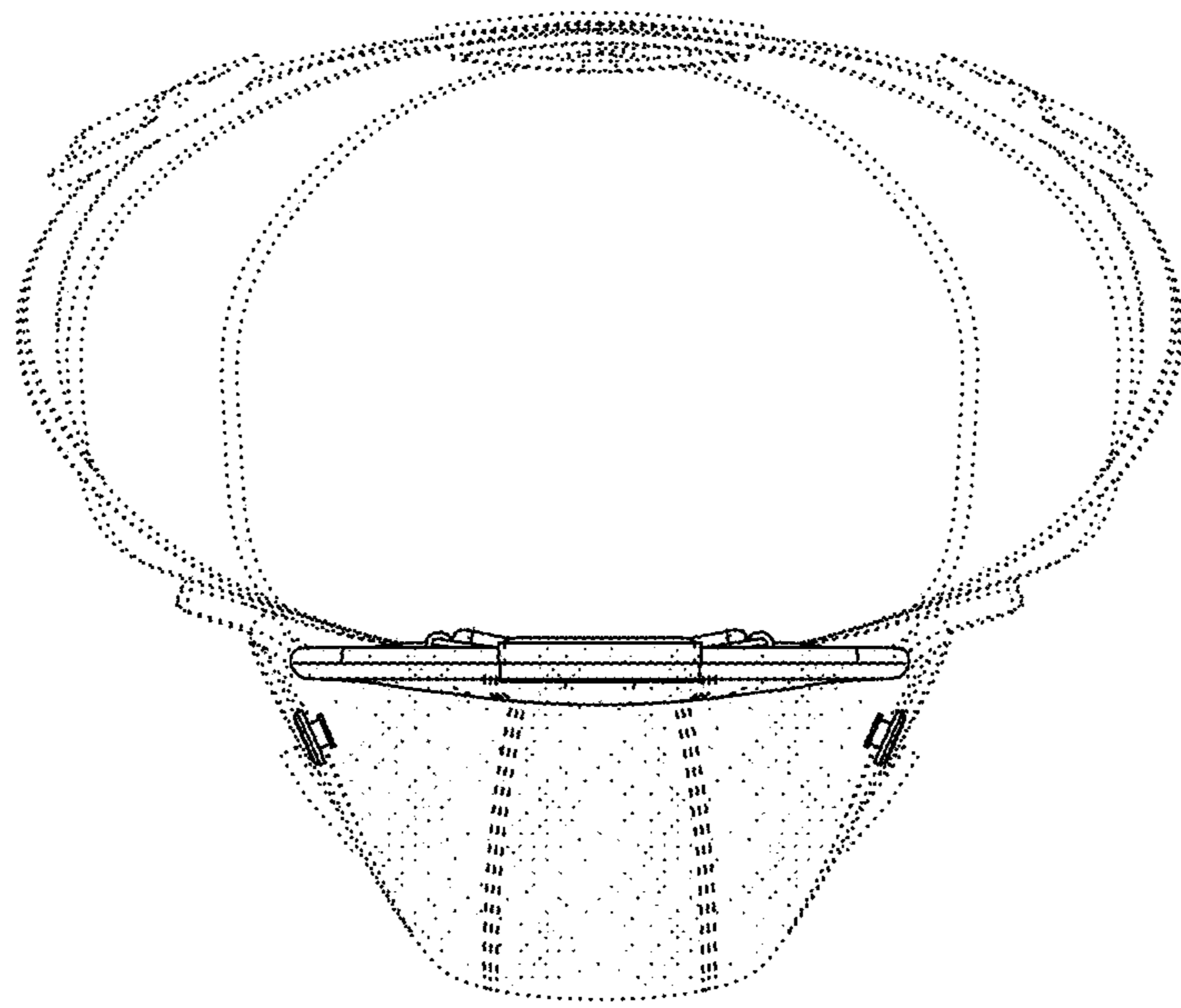


FIG. 14

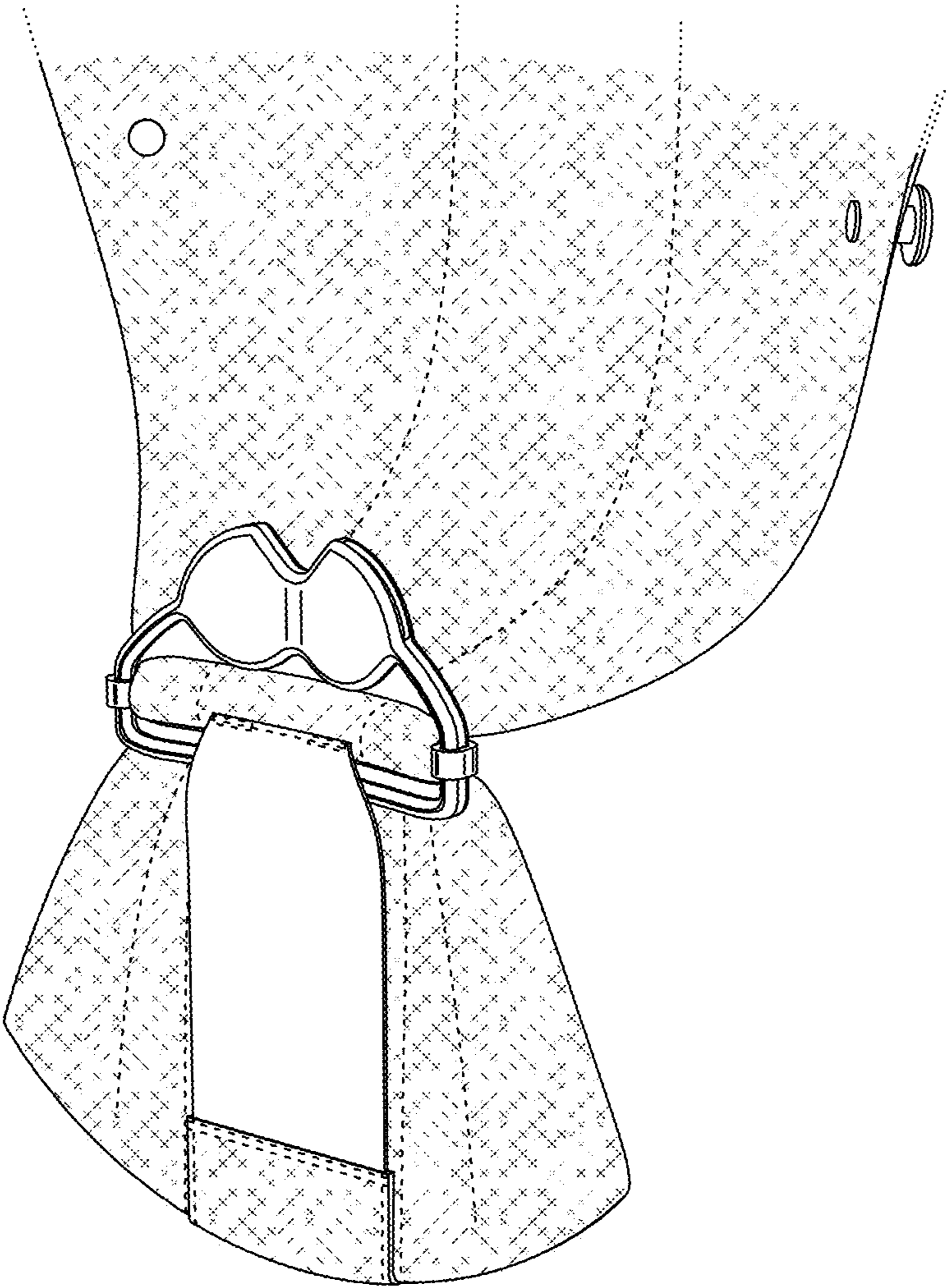


FIG. 15

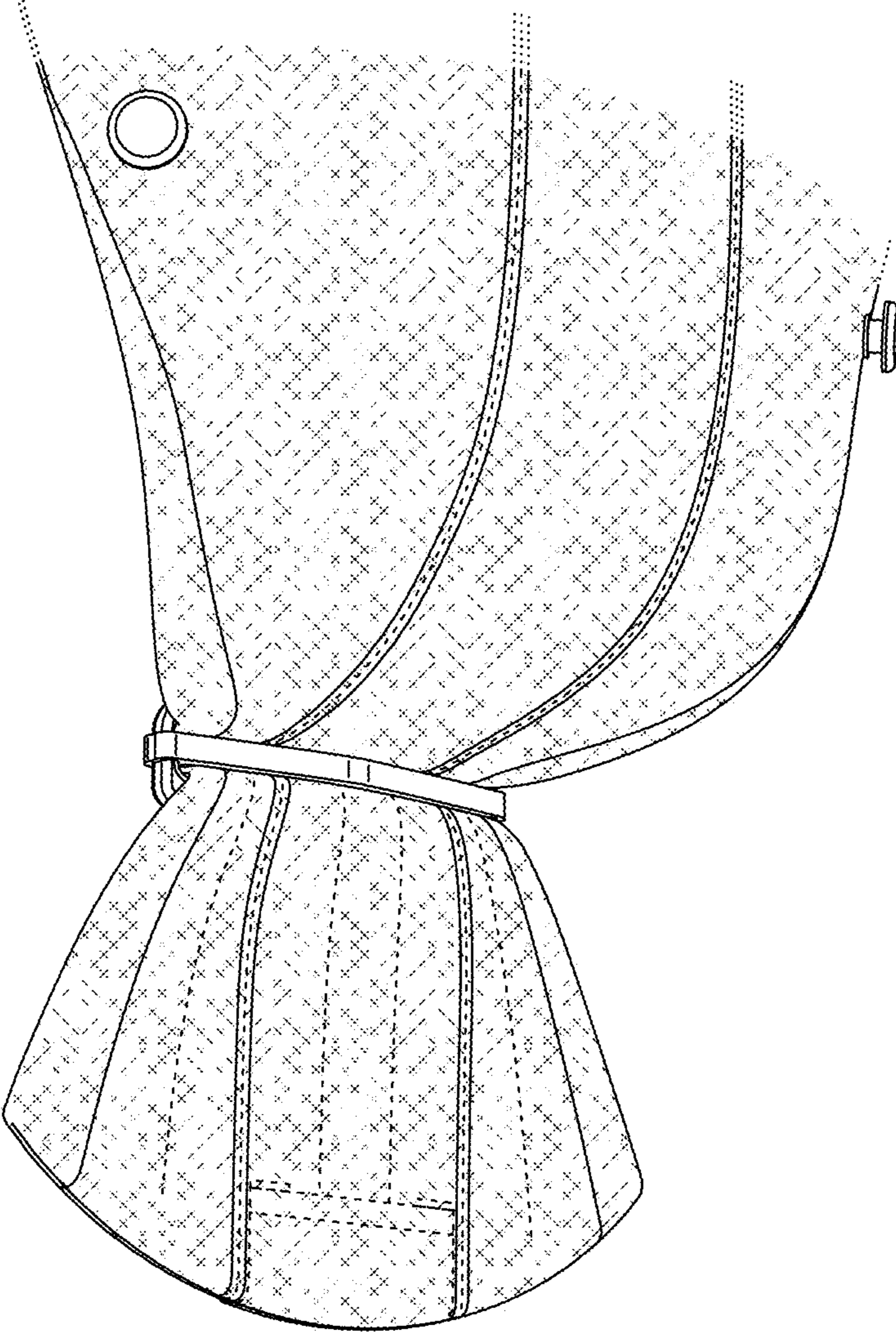


FIG. 16

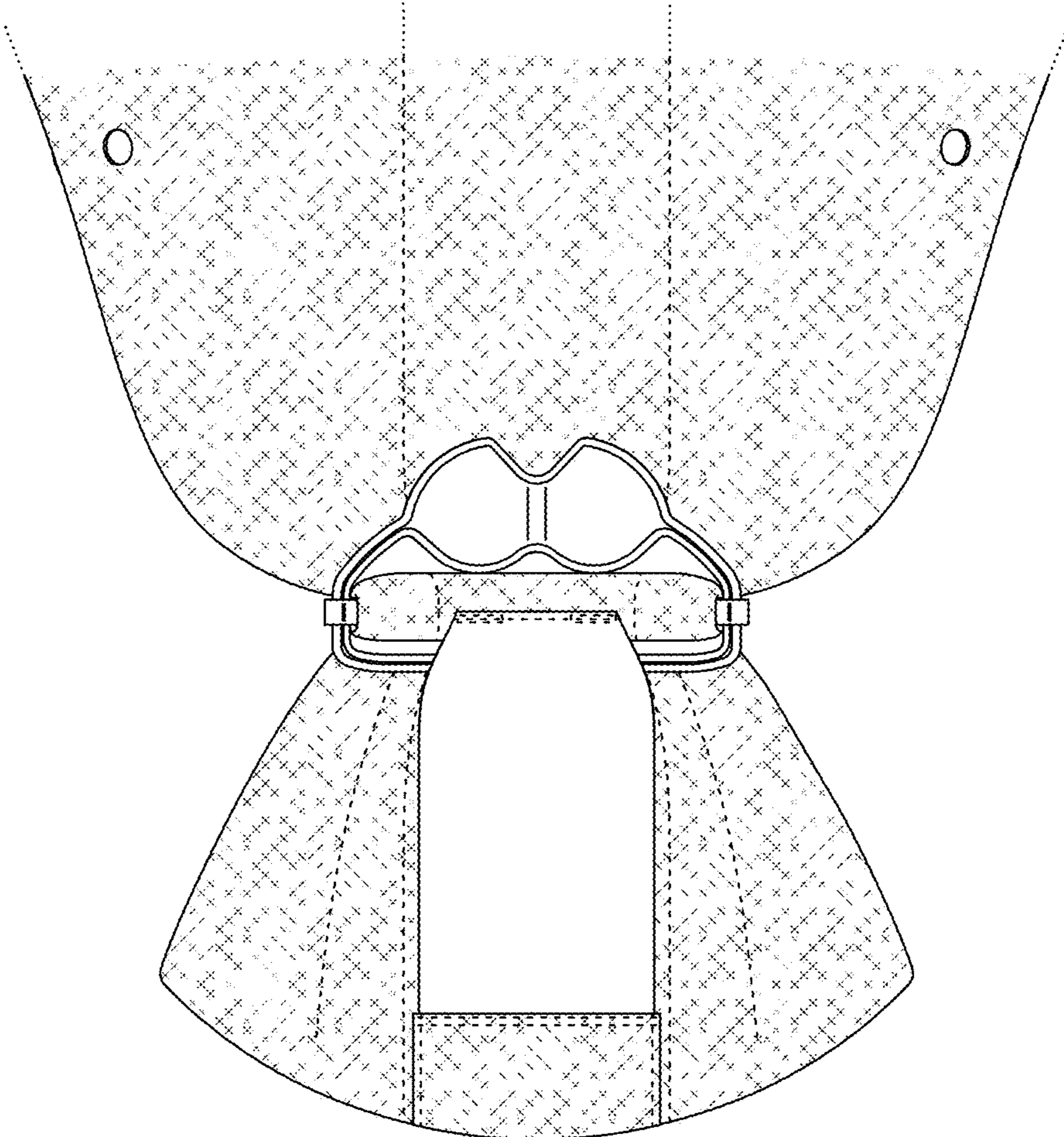


FIG. 17

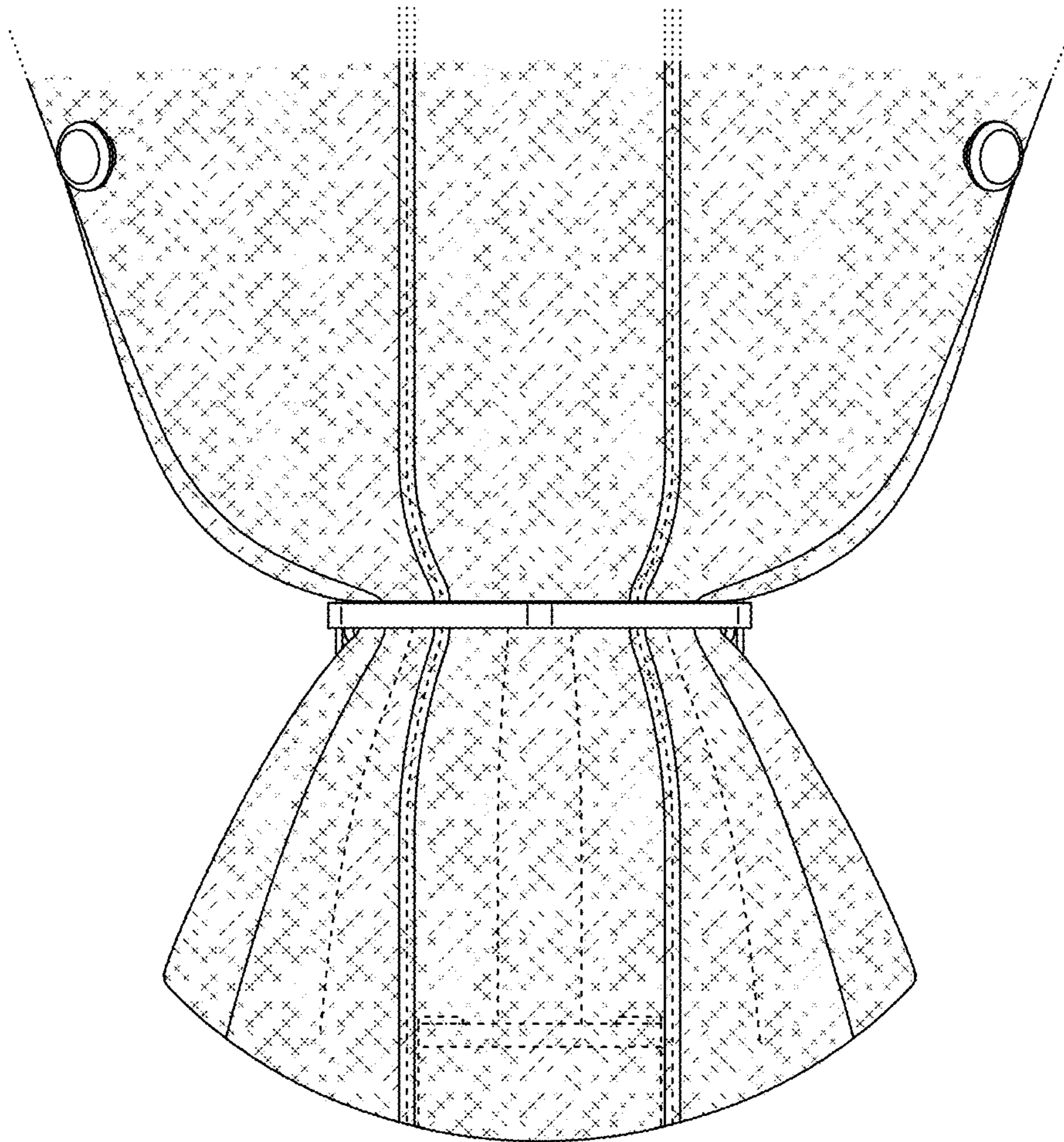


FIG. 18

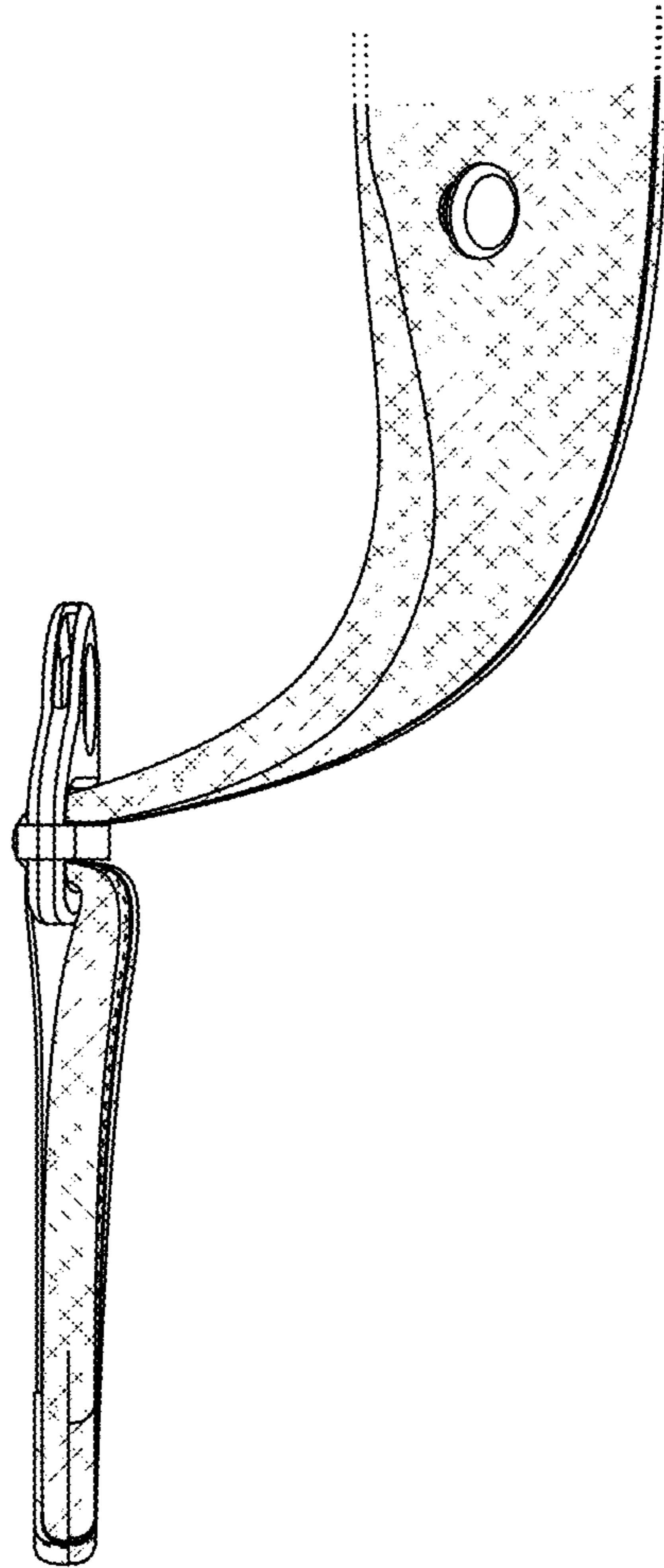


FIG. 19

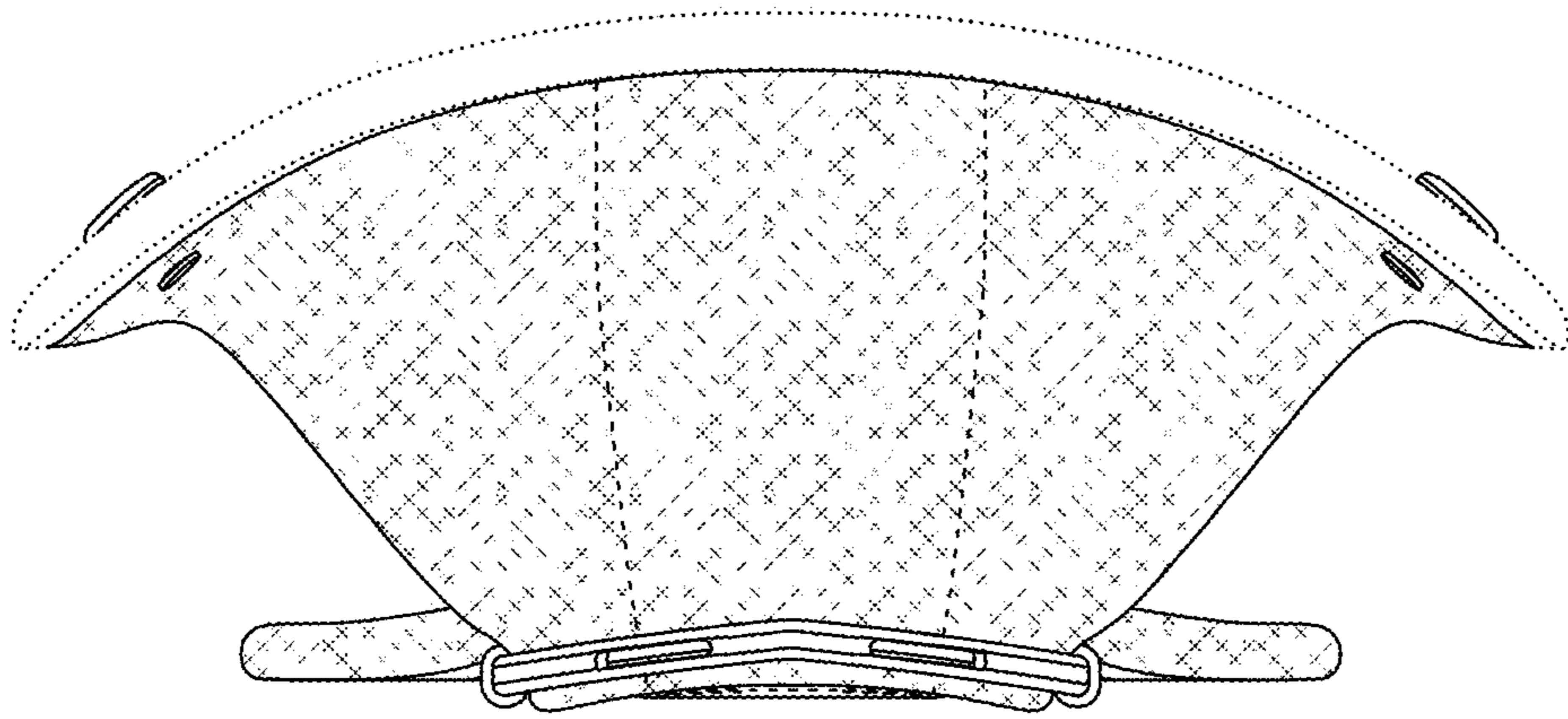


FIG. 20

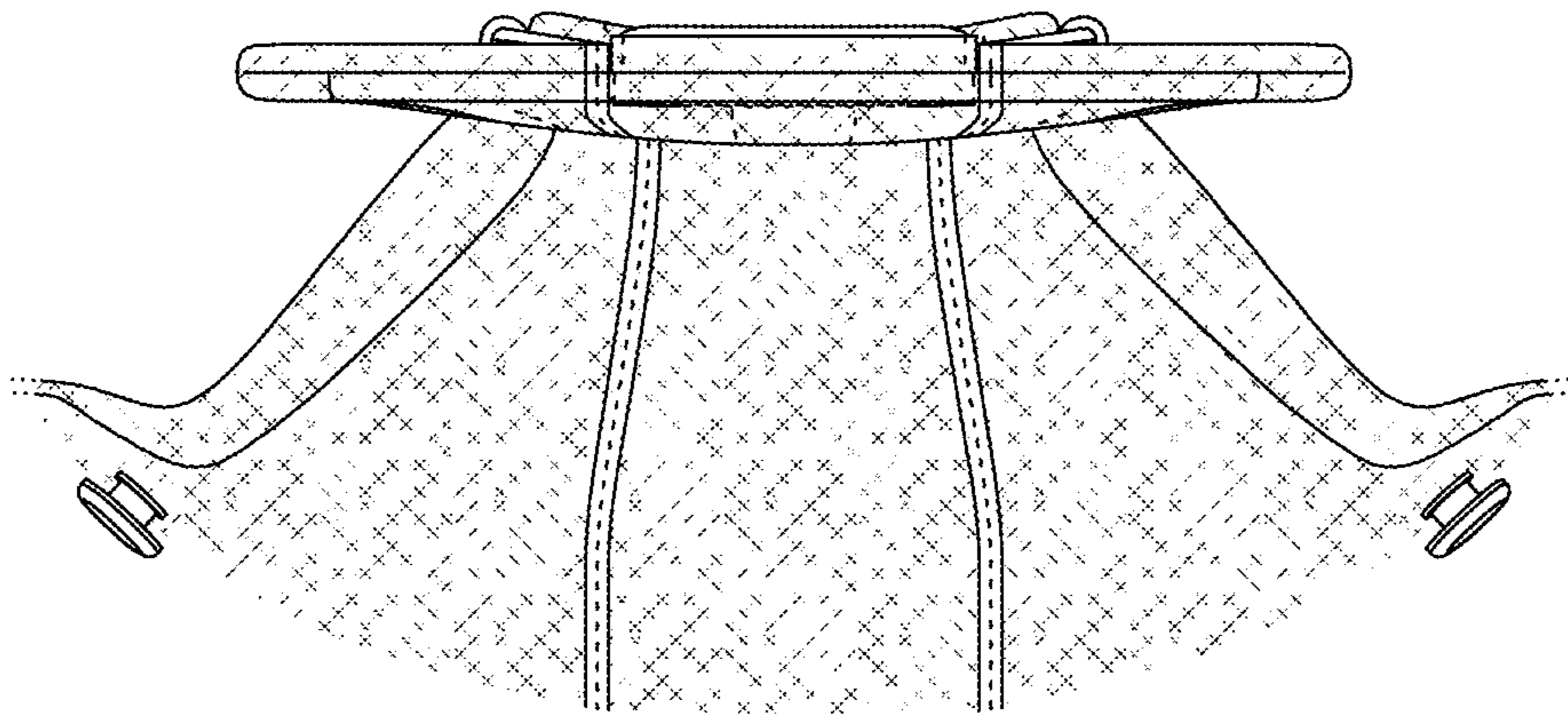


FIG. 21

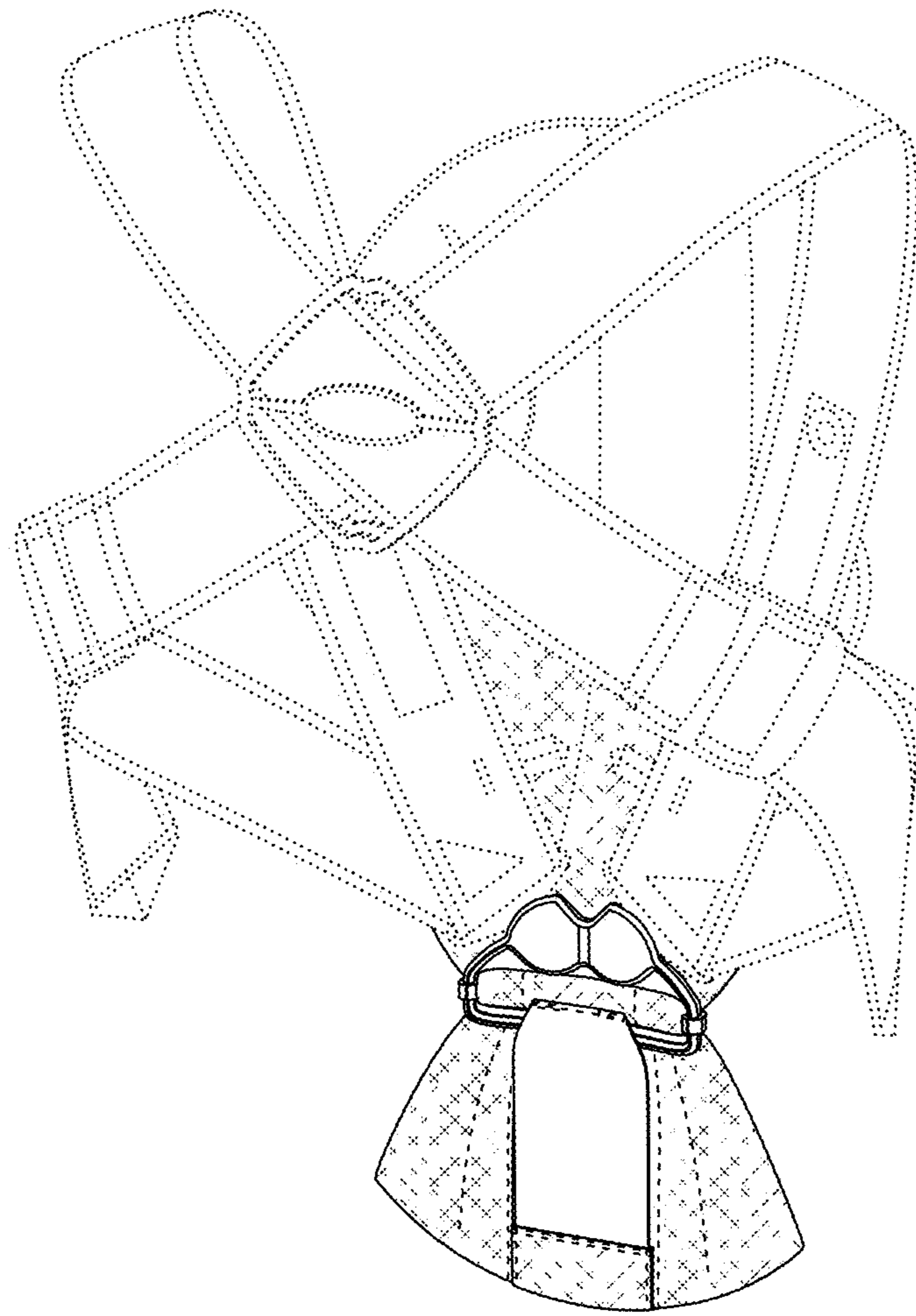


FIG. 22

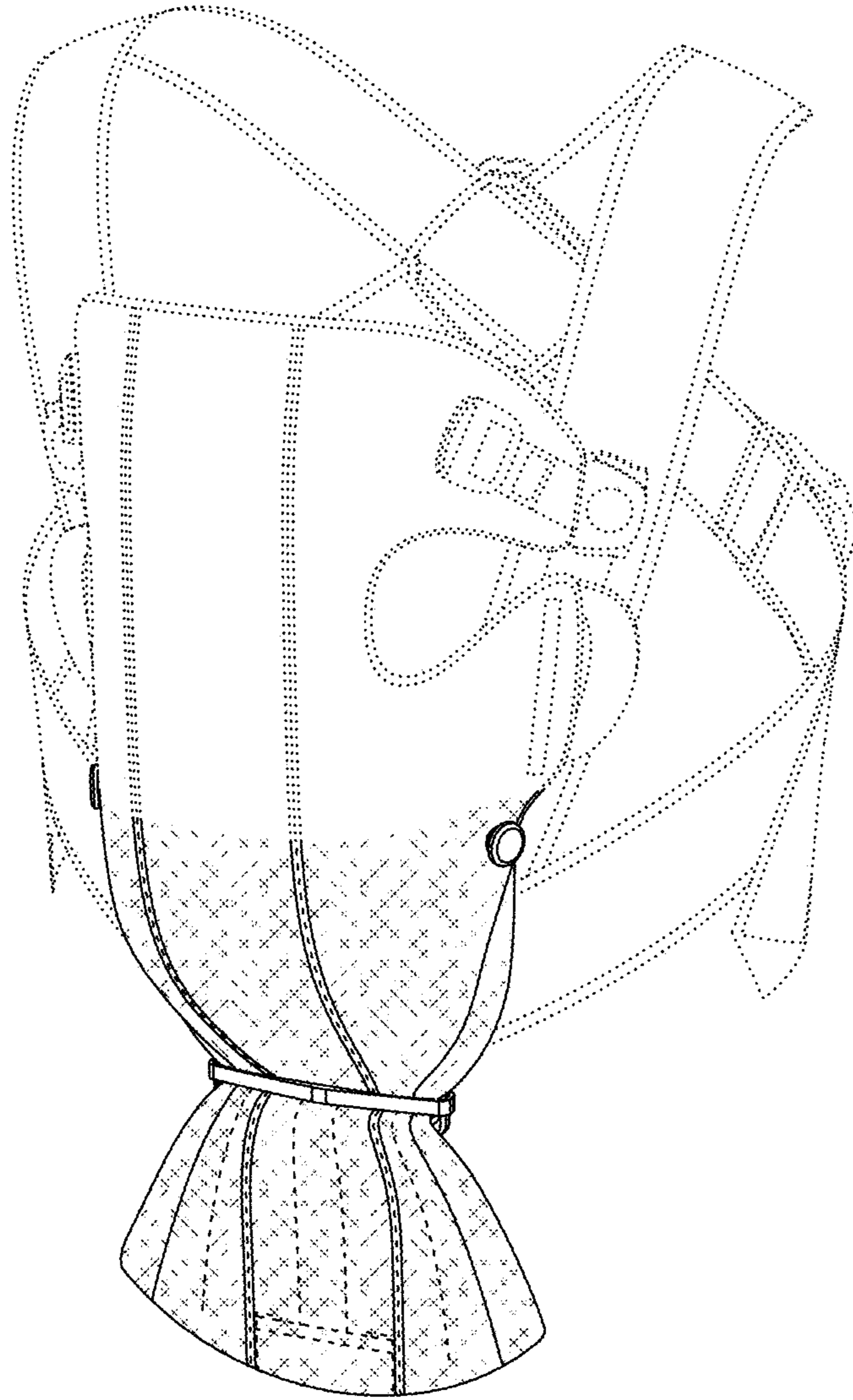


FIG. 23

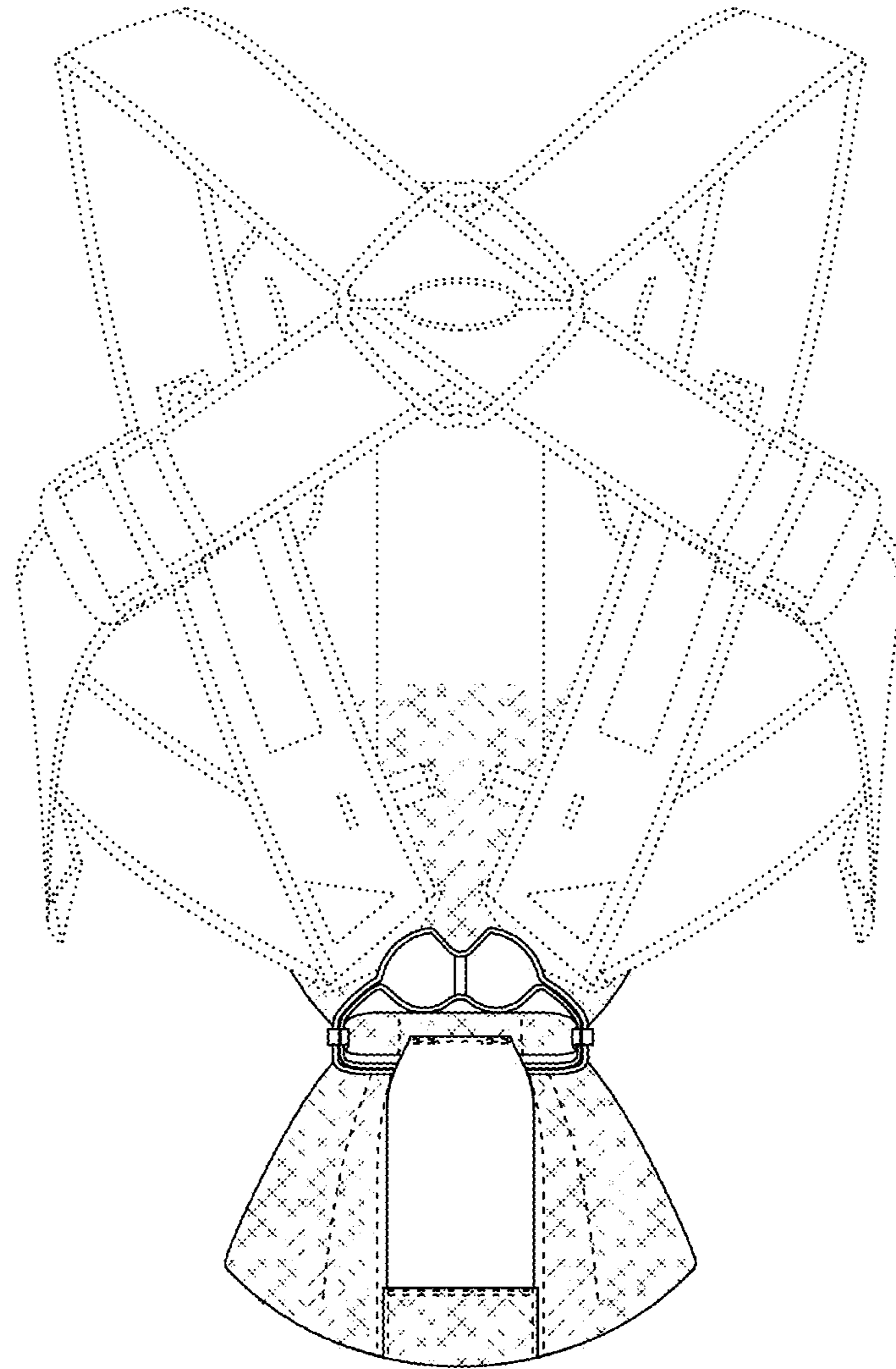


FIG. 24

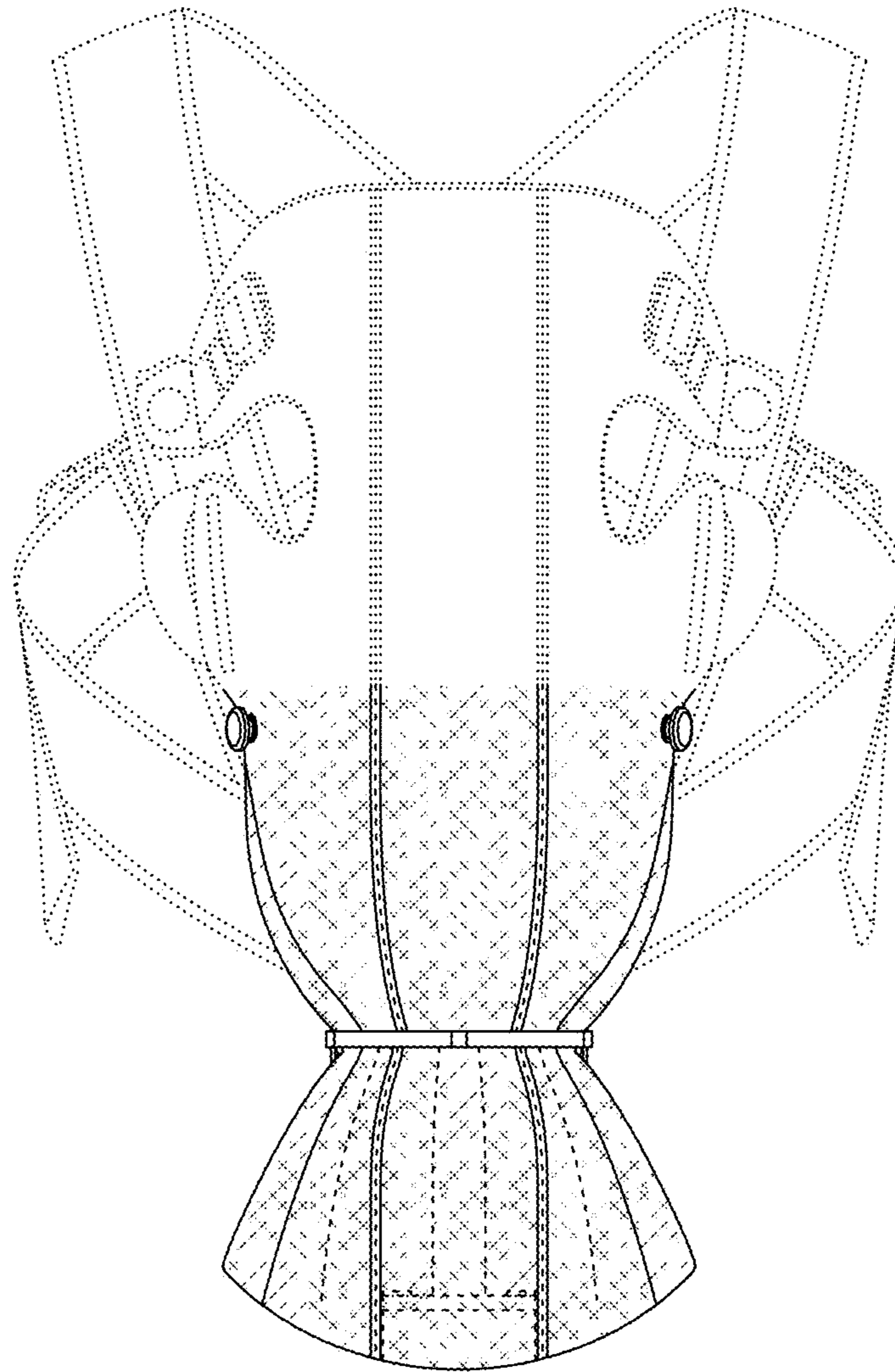


FIG. 25

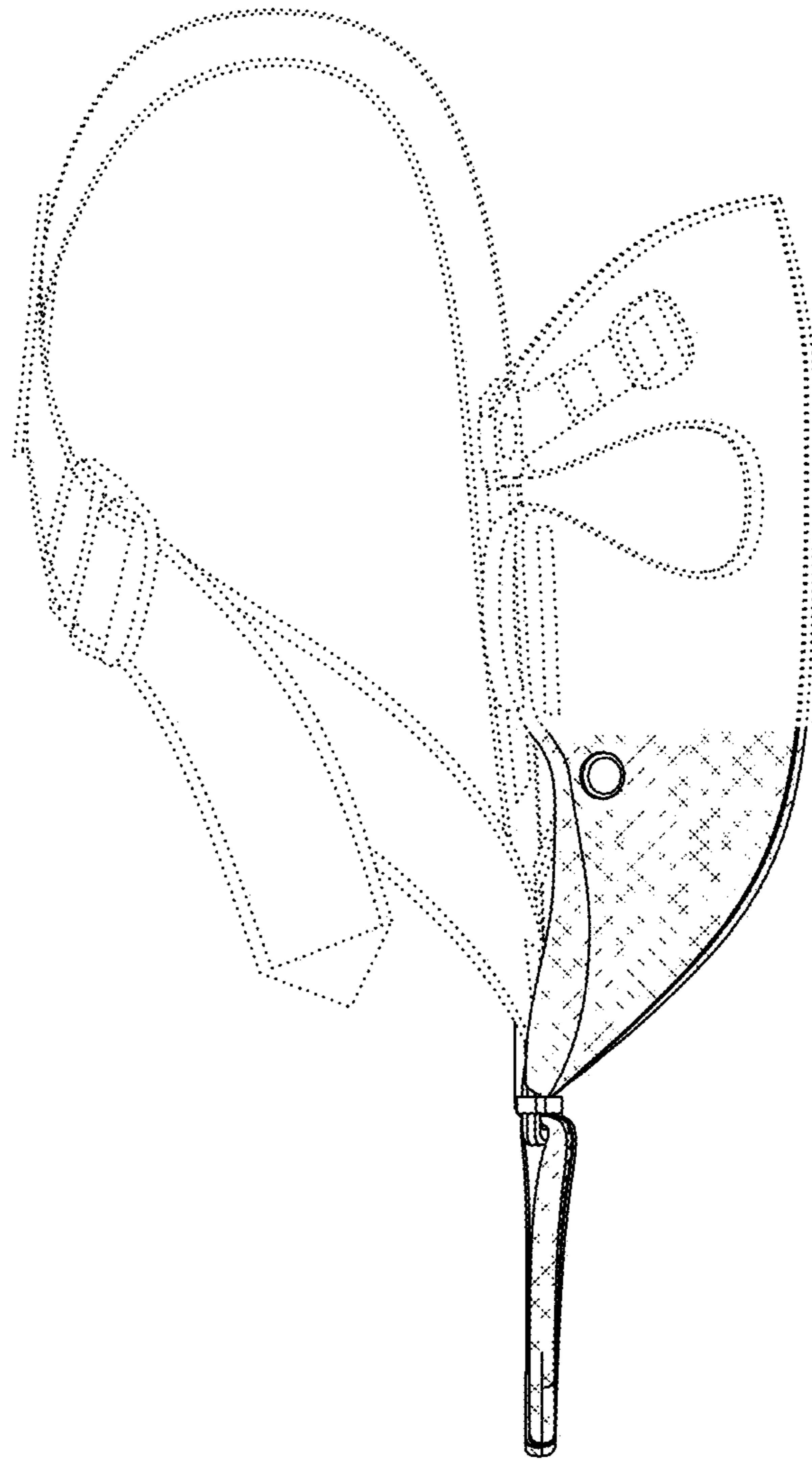


FIG. 26

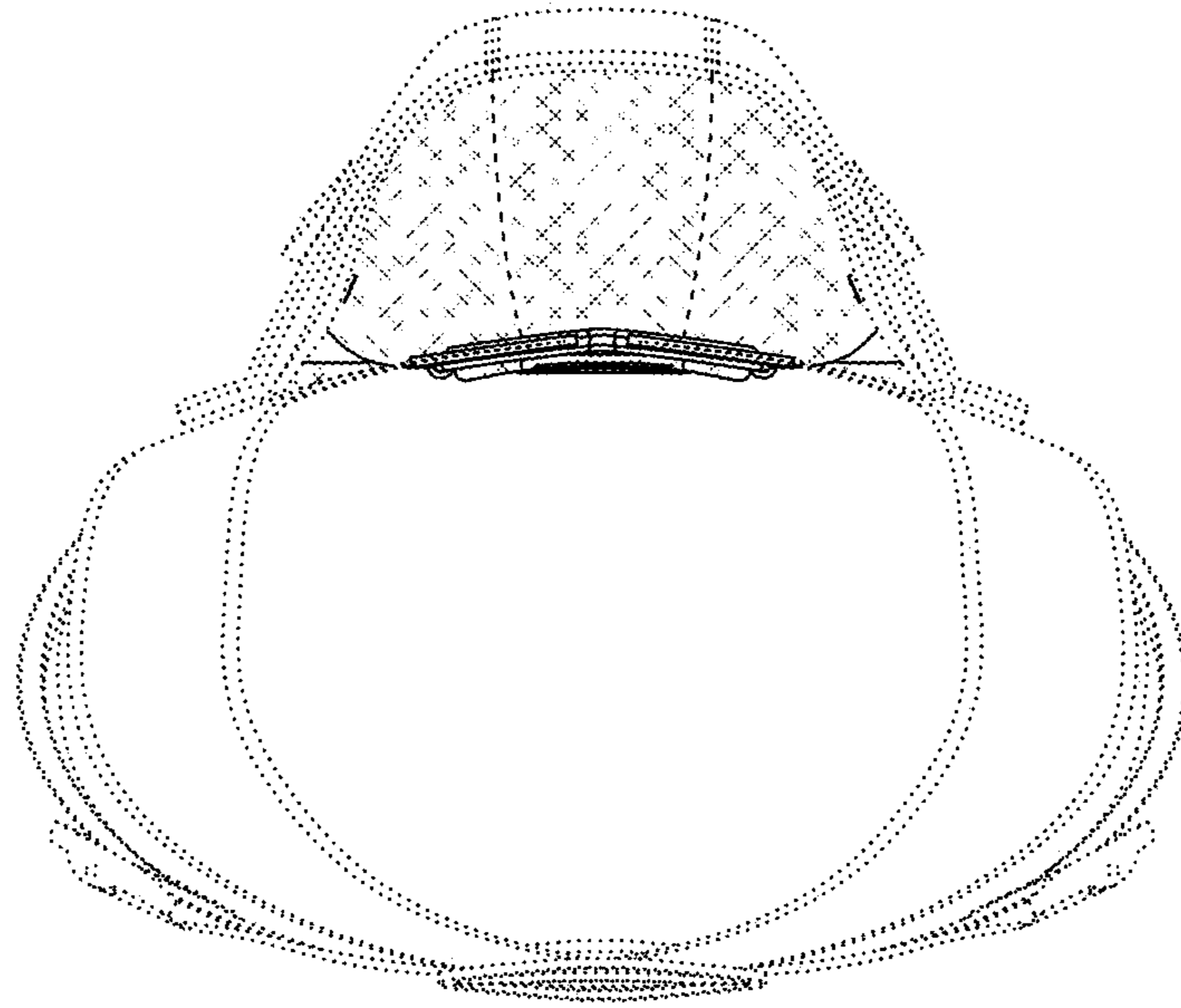


FIG. 27

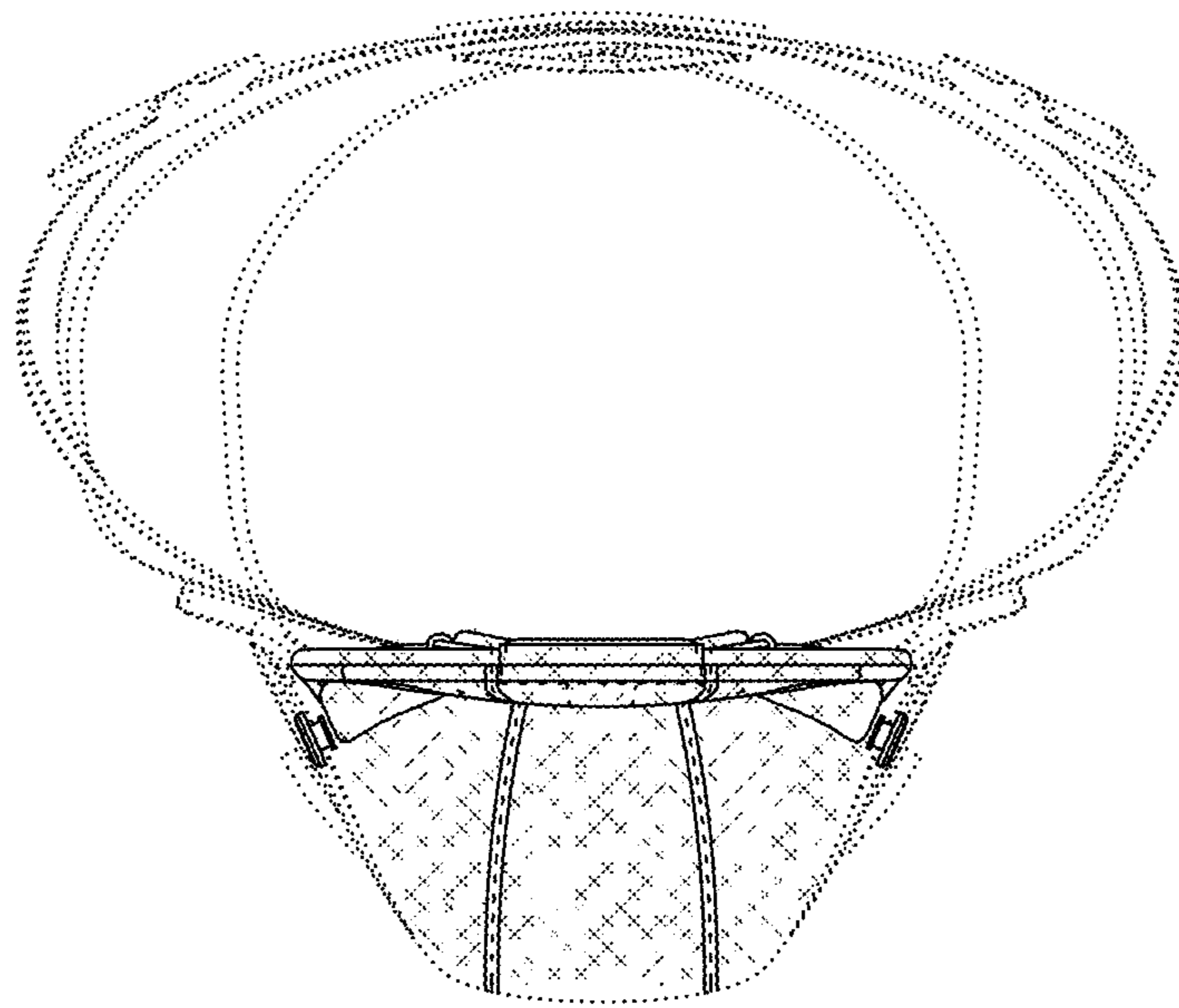


FIG. 28

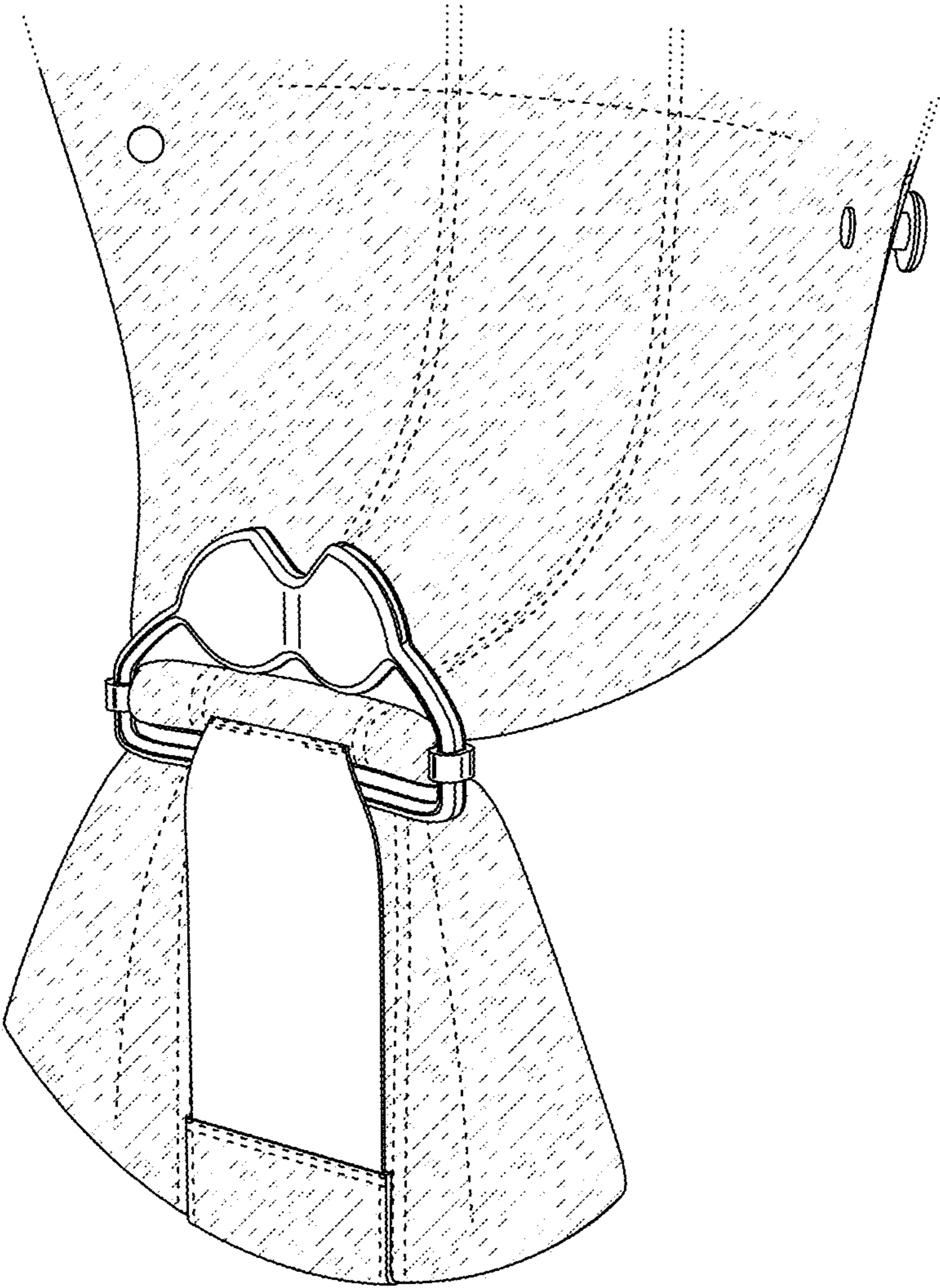


FIG. 29

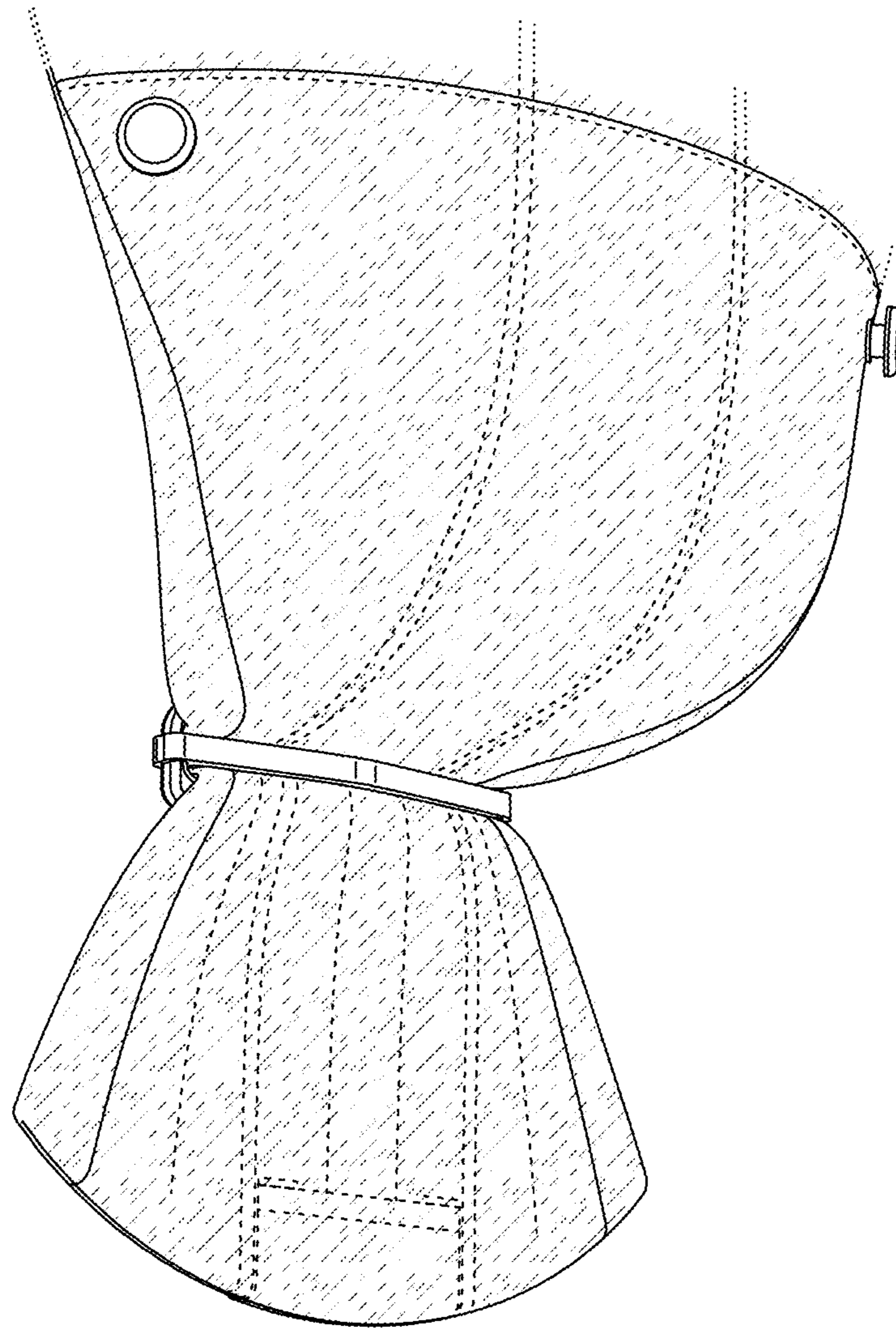


FIG. 30

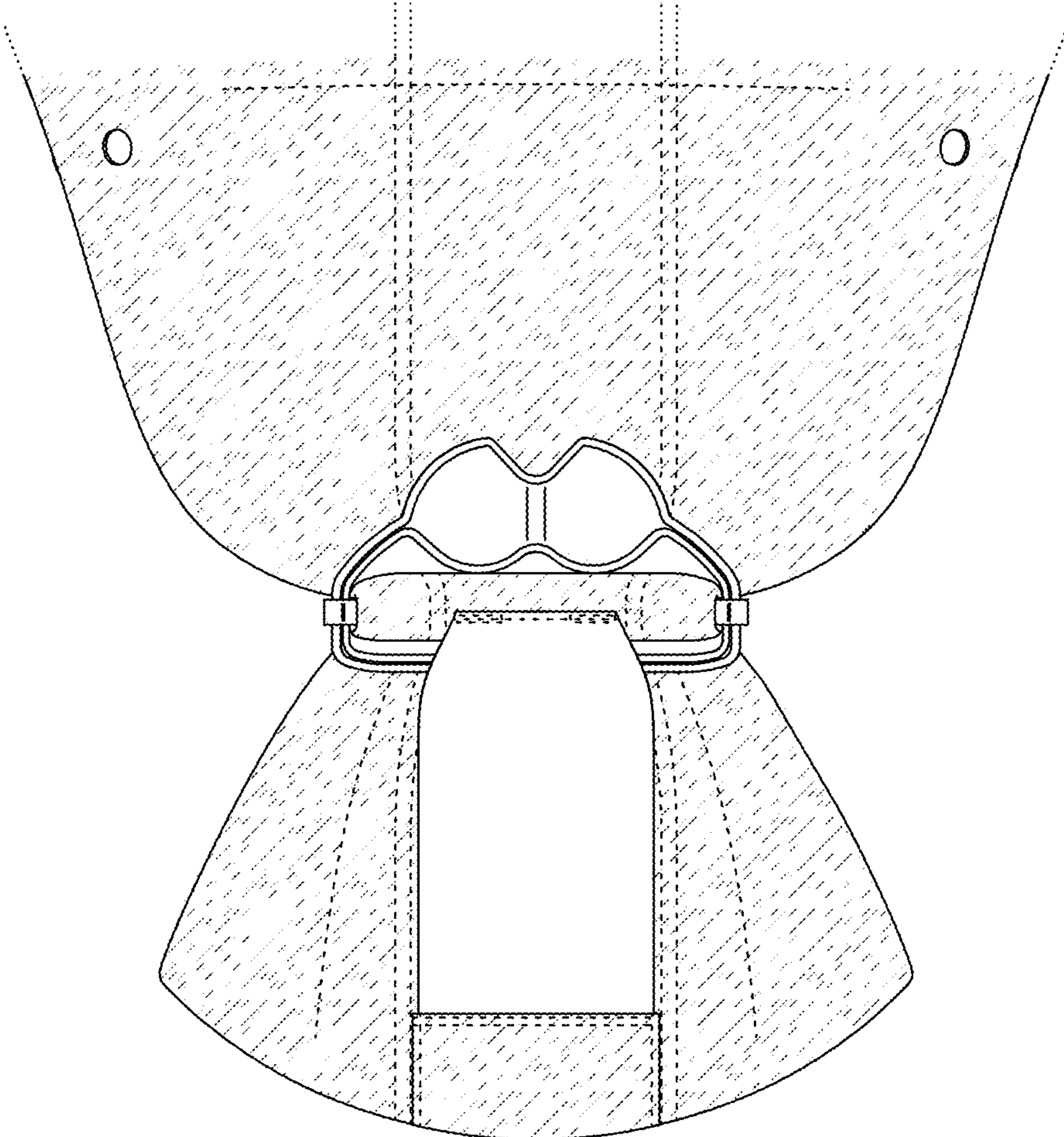


FIG. 31

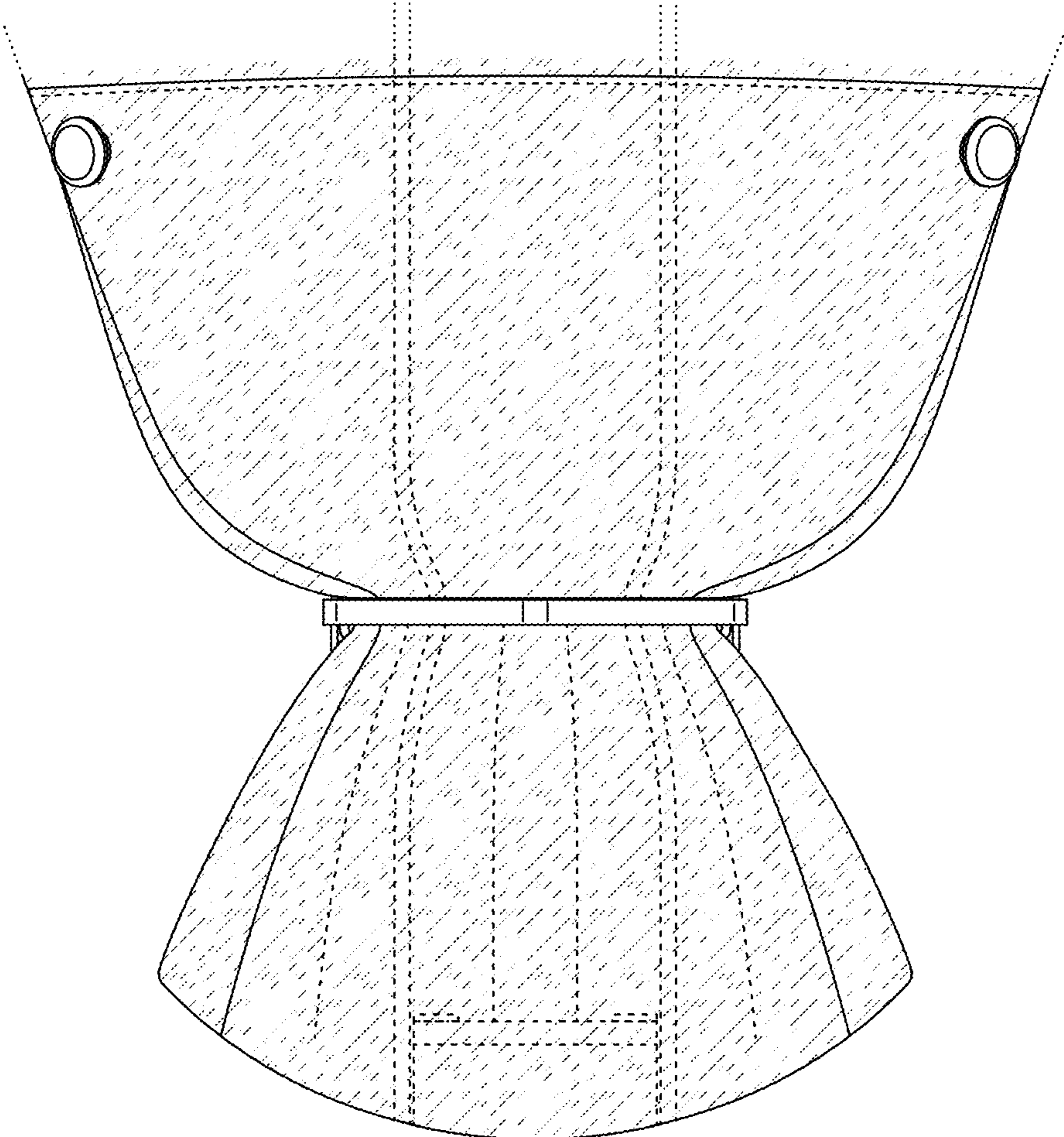


FIG. 32

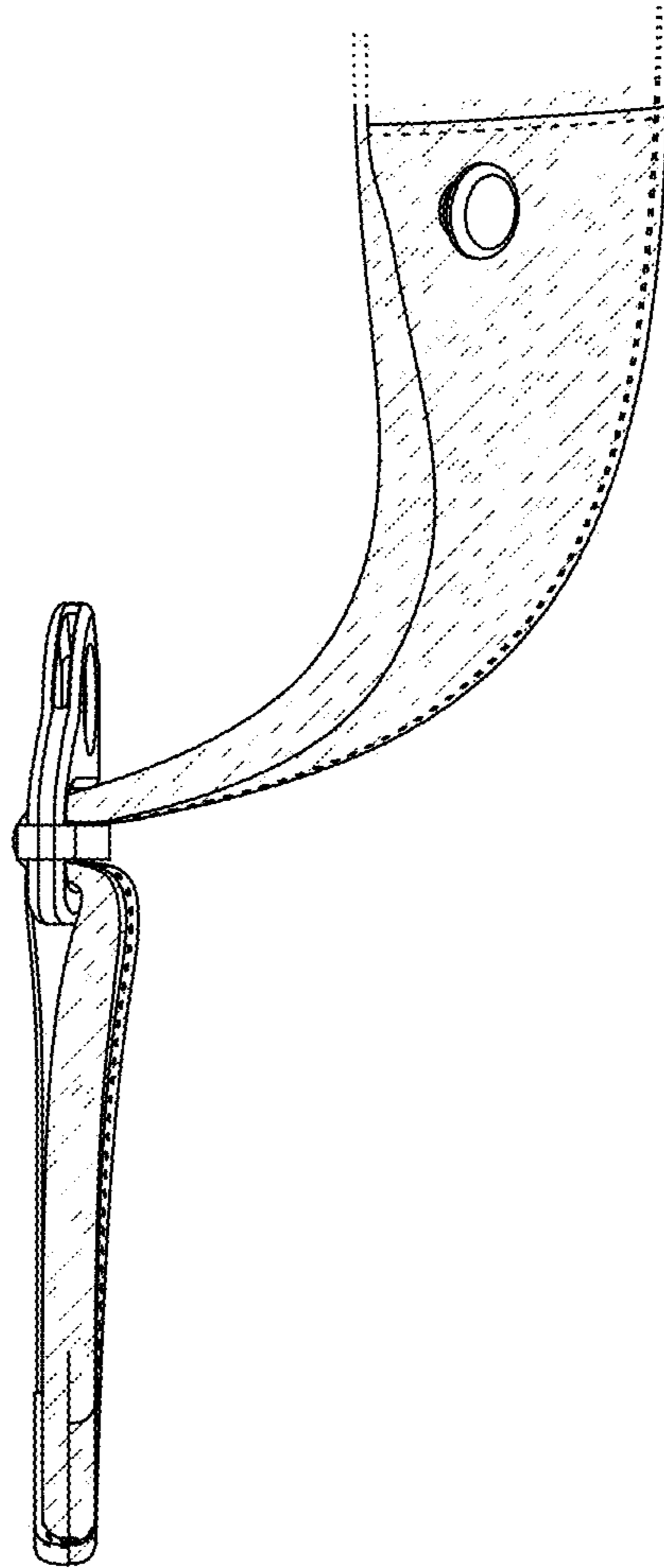


FIG. 33

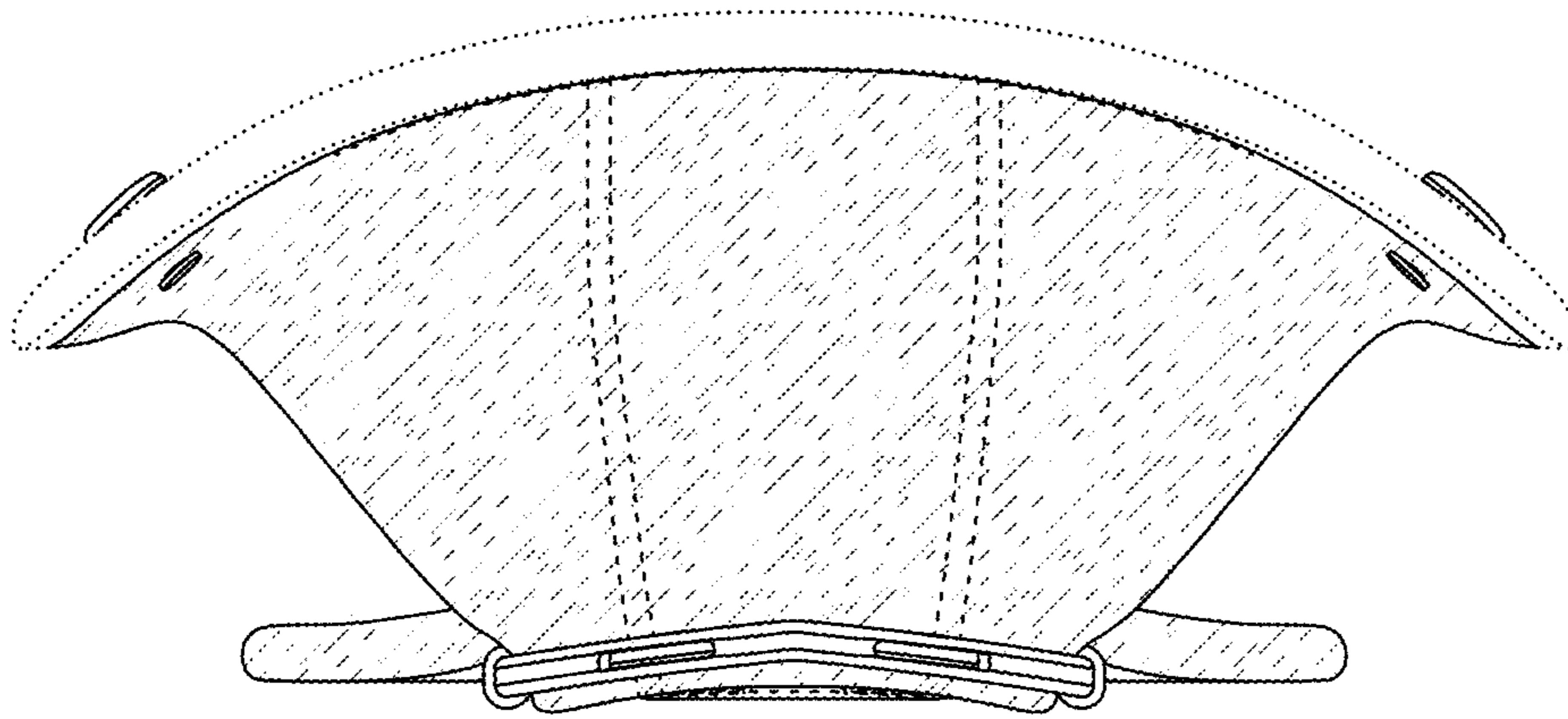


FIG. 34

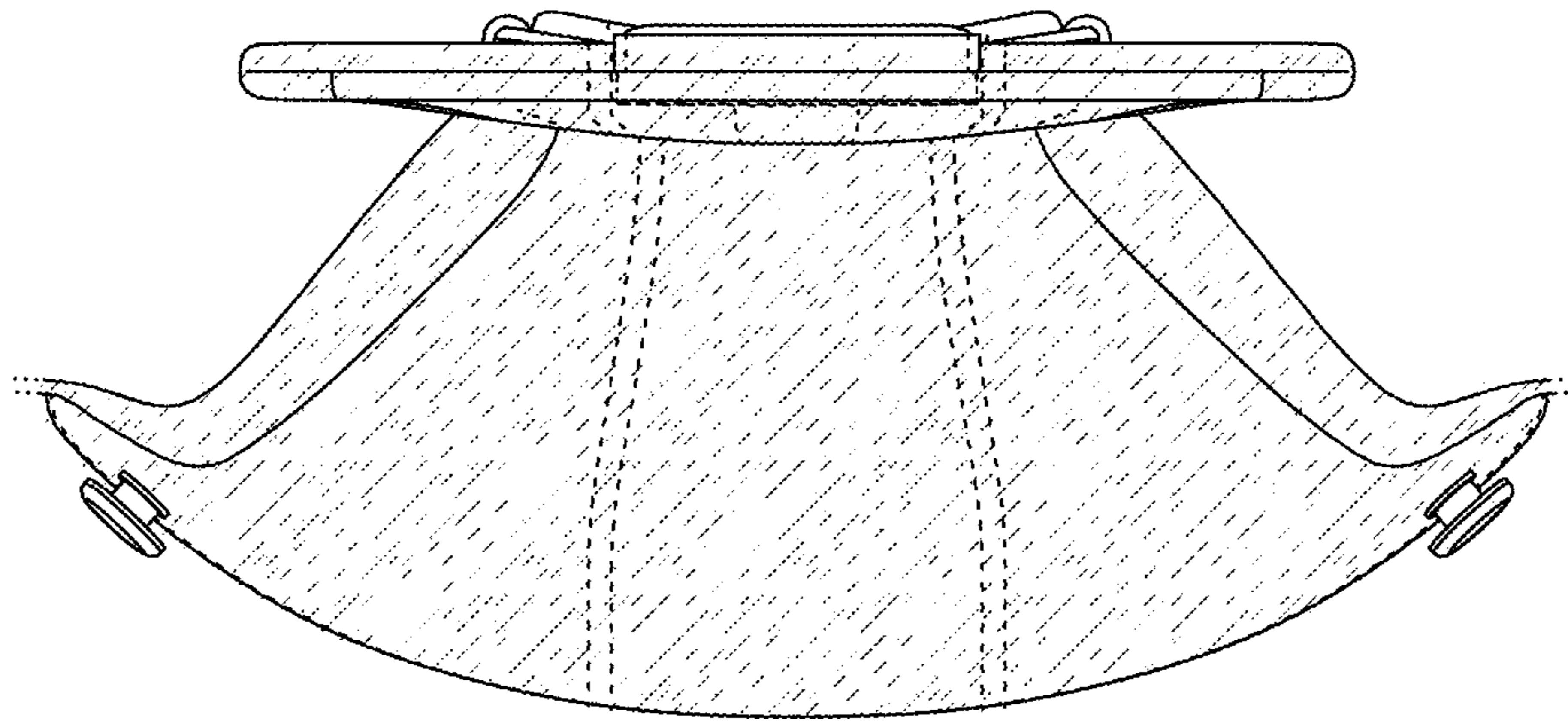


FIG. 35

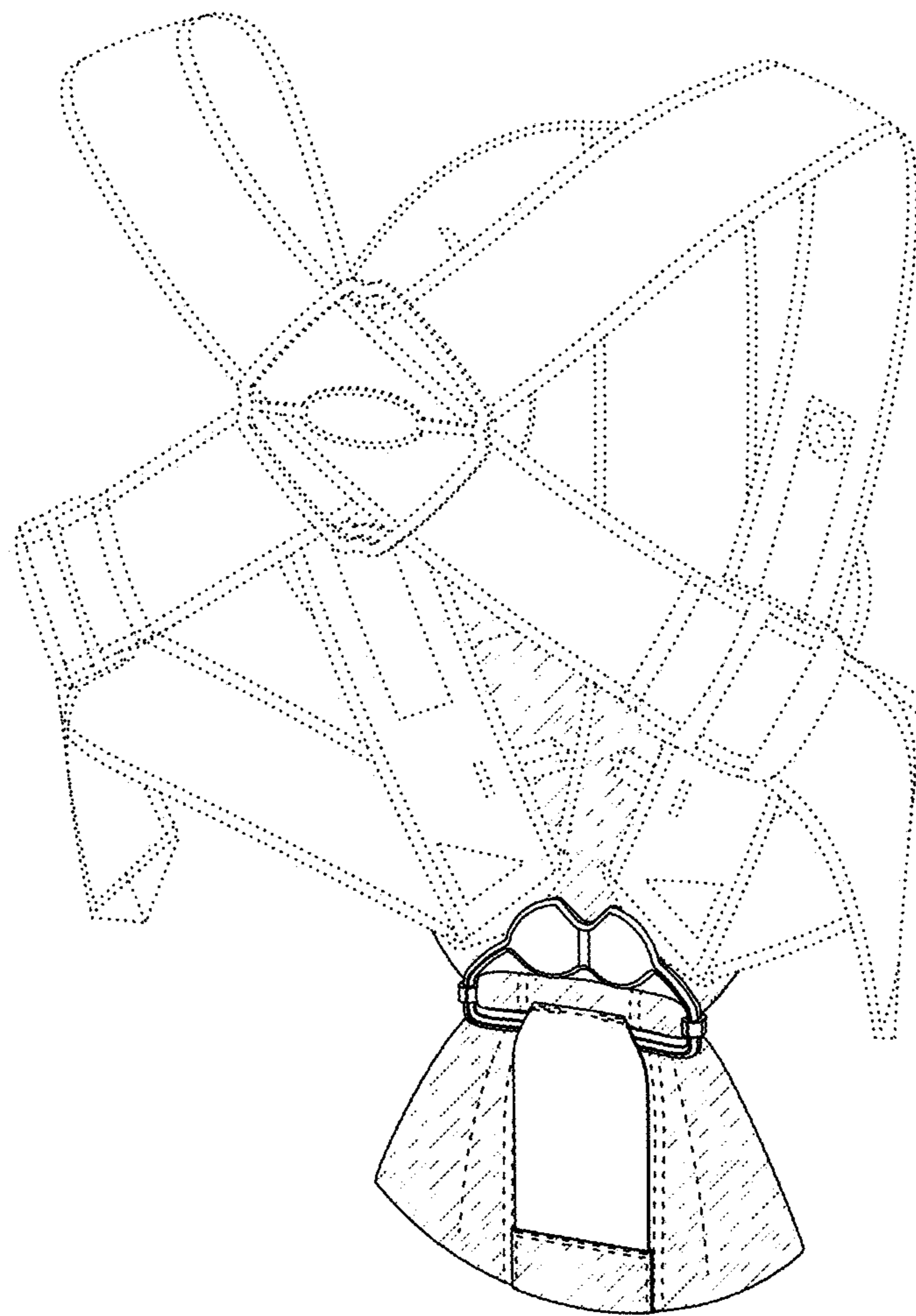


FIG. 36

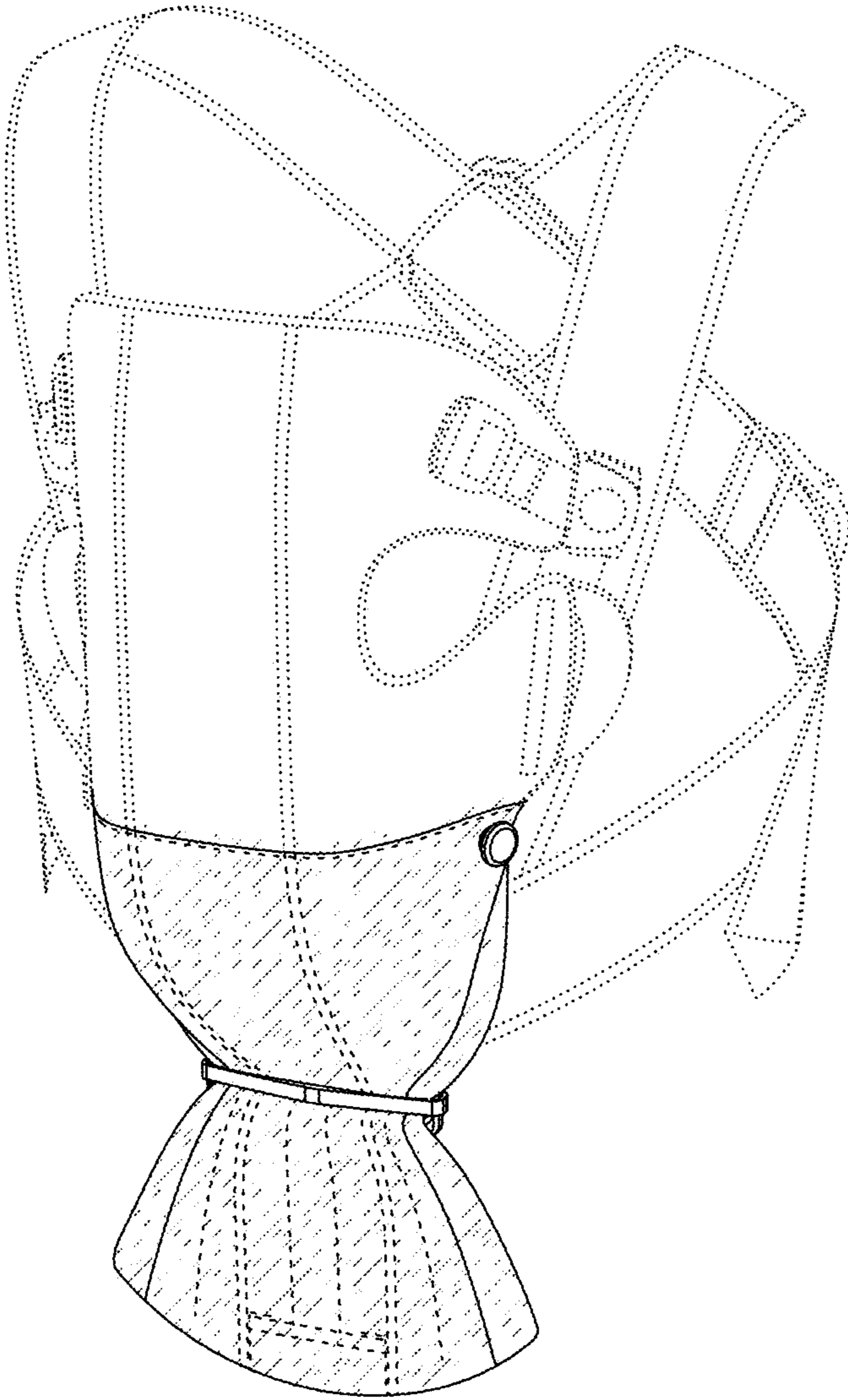


FIG. 37

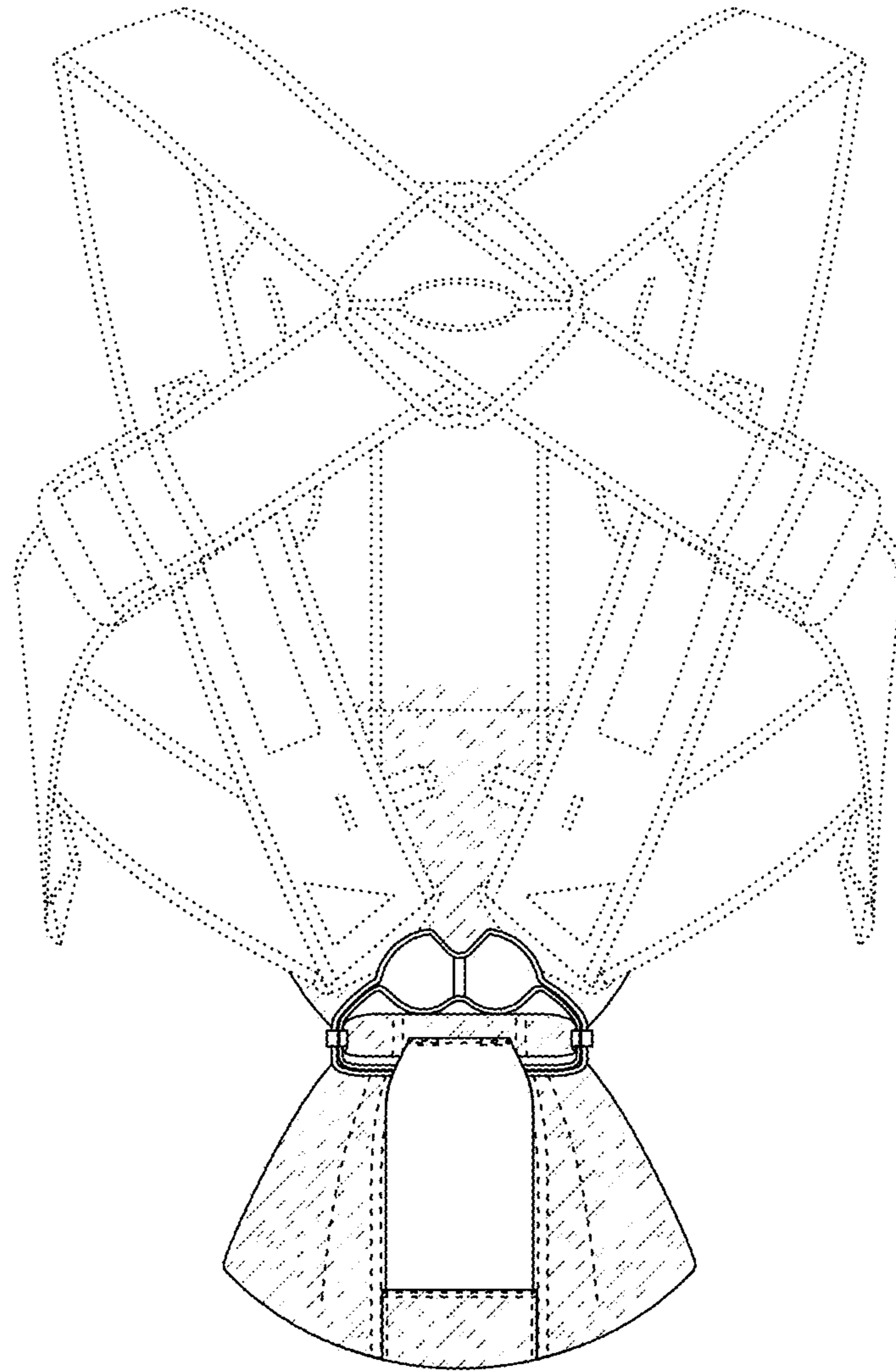


FIG. 38

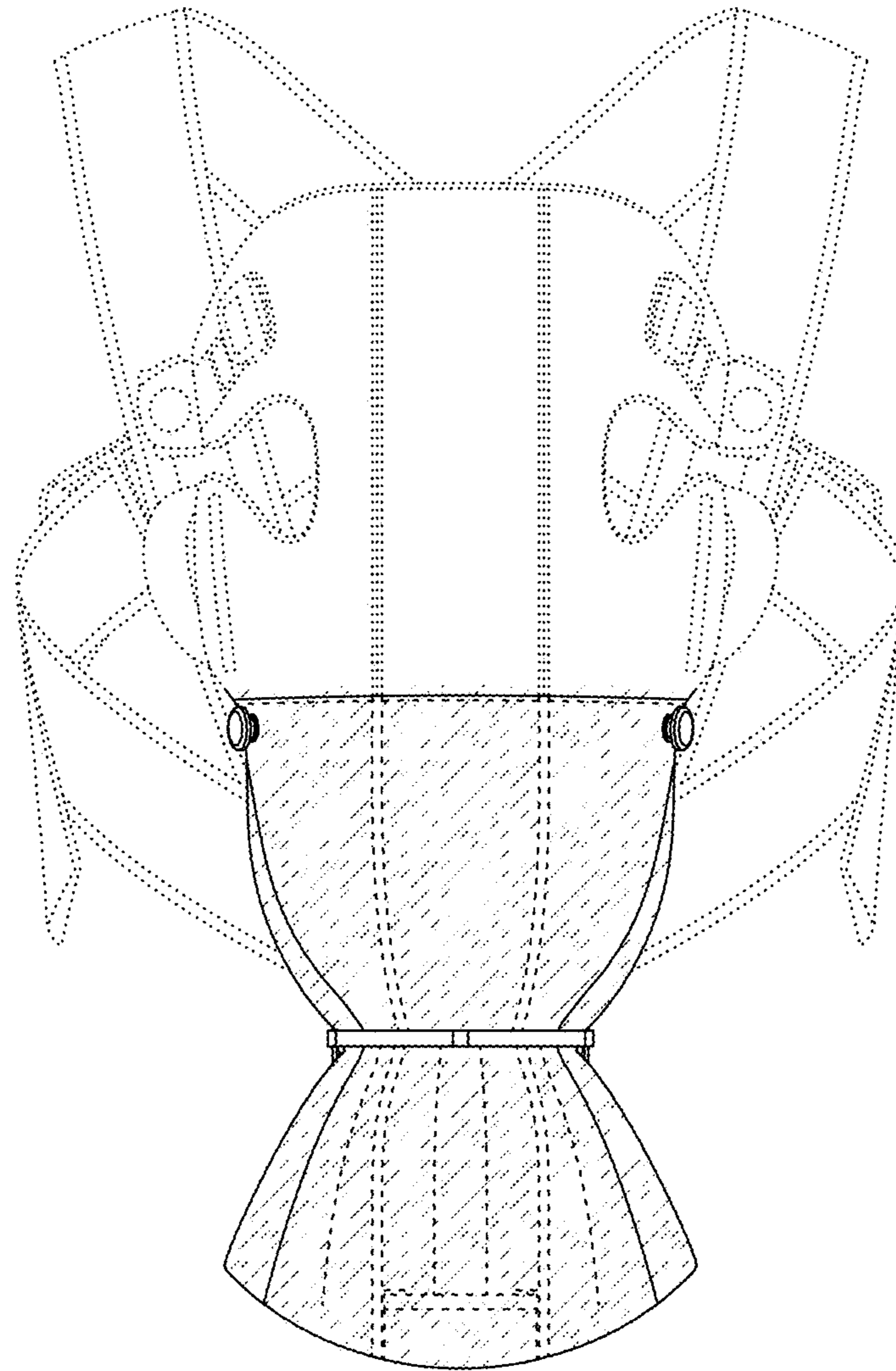


FIG. 39

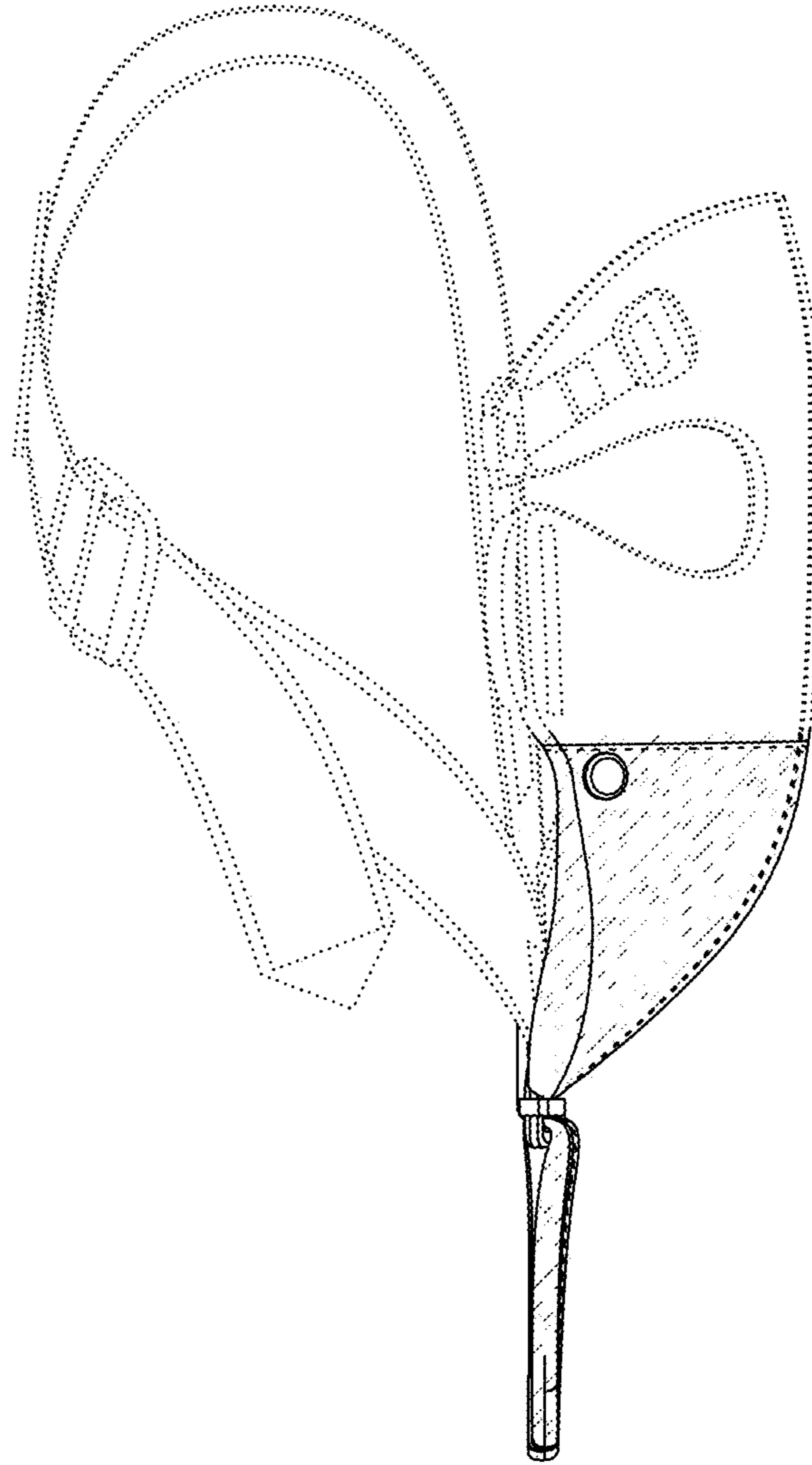


FIG. 40

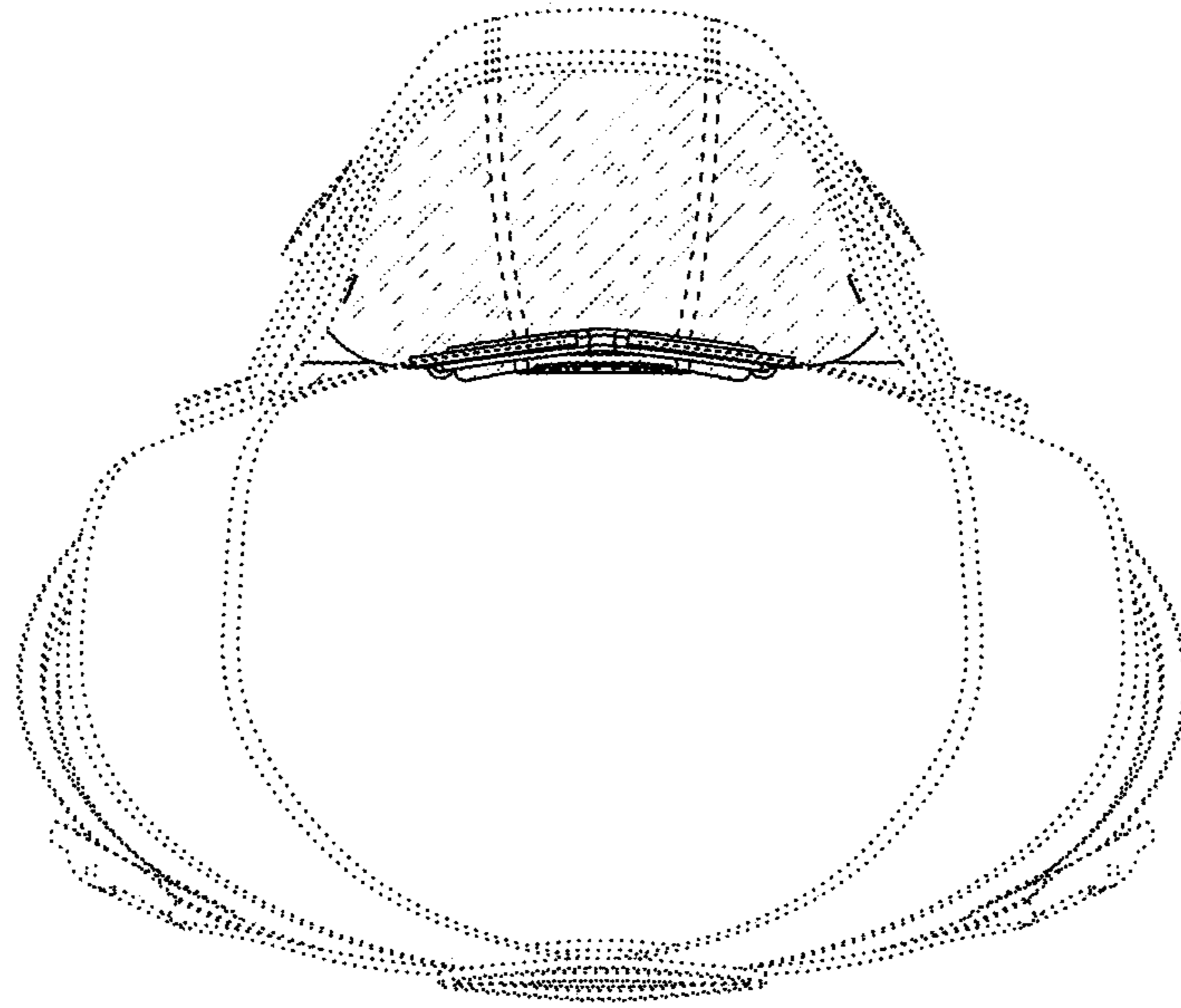


FIG. 41

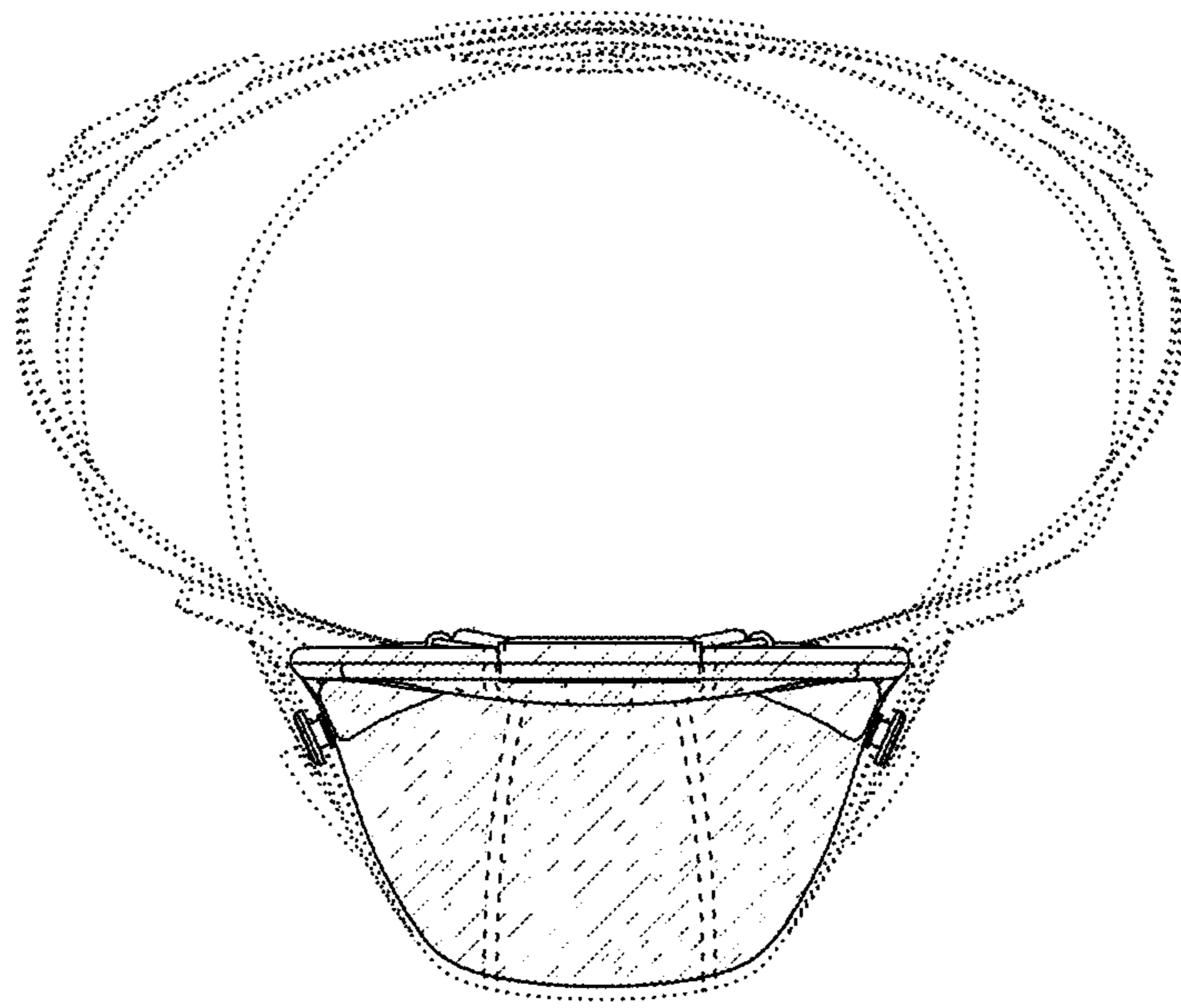


FIG. 42