



(12) **United States Design Patent**  
**Grossman**

(10) **Patent No.:** **US D933,355 S**  
(45) **Date of Patent:** **\*\* Oct. 19, 2021**

- (54) **CARABINER KEYRING**
- (71) Applicant: **Peter Grossman**, Castle Hill (AU)
- (72) Inventor: **Peter Grossman**, Castle Hill (AU)
- (\*\*) Term: **15 Years**
- (21) Appl. No.: **29/700,263**
- (22) Filed: **Aug. 1, 2019**
- (51) **LOC (13) Cl.** ..... **03-01**
- (52) **U.S. Cl.**  
USPC ..... **D3/207**
- (58) **Field of Classification Search**  
USPC ..... D3/203.1, 207, 208, 209, 210, 211, 212,  
D3/249; D8/34, 38, 105, 356  
CPC ..... Y10T 24/45319; Y10T 24/45366; Y10T  
70/873; Y10T 70/8757; Y10T 24/1379;  
Y10T 24/45026; Y10T 70/8676; Y10T  
70/8703; F16B 45/02; A44B 15/002;  
A44B 15/00; A44B 15/005; A45C 11/325  
See application file for complete search history.

- 2009/0000086 A1\* 1/2009 Bing ..... F16B 45/06  
24/592.11
- 2013/0232741 A1\* 9/2013 Liang ..... F16B 45/02  
24/600.2
- 2014/0115840 A1\* 5/2014 Liang ..... F16B 45/06  
24/600.2
- 2015/0337887 A1\* 11/2015 Ormsbee ..... F16M 13/02  
24/485

**OTHER PUBLICATIONS**

Nite Ize S-Biner Dual Carabiners, announced Jan. 1, 2005 [online], [available from internet]. URL: <<https://www.amazon.com/Nite-Ize-S-Biner-Spring-Carabiners/dp/B001HN6CW4/>> (Year: 2005).\*

\* cited by examiner

*Primary Examiner* — Kevin K Rudzinski  
*Assistant Examiner* — Amber J Rabie

(57) **CLAIM**

I claim the ornamental design for a carabiner keyring, as shown and described.

(56) **References Cited**

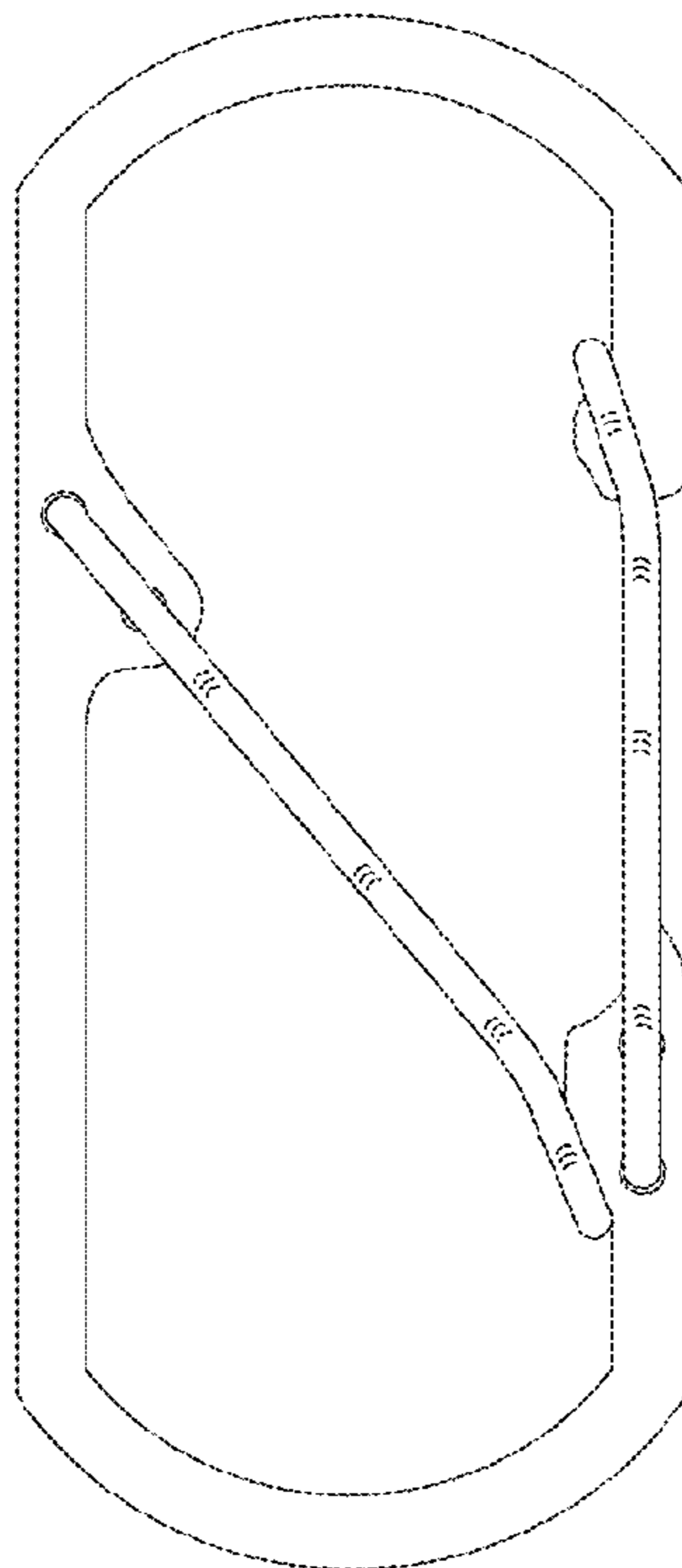
**U.S. PATENT DOCUMENTS**

- 582,780 A \* 5/1897 Eldridge ..... F16B 45/02  
24/582.11
- D577,574 S \* 9/2008 Liang ..... A44B 15/005  
D8/356
- D767,975 S \* 10/2016 Jiang ..... F16B 45/02  
D8/356
- D891,089 S \* 7/2020 He ..... D3/207
- 2004/0083783 A1\* 5/2004 Brandalise ..... A44B 15/005  
70/456 R

**DESCRIPTION**

FIG. 1 is a front view of the carabiner keyring showing my new design;  
FIG. 2 is a rear view thereof; and,  
FIG. 3 is a perspective view thereof.  
The broken lines illustrating portions of the carabiner keyring form no part of the claimed design.

**1 Claim, 3 Drawing Sheets**



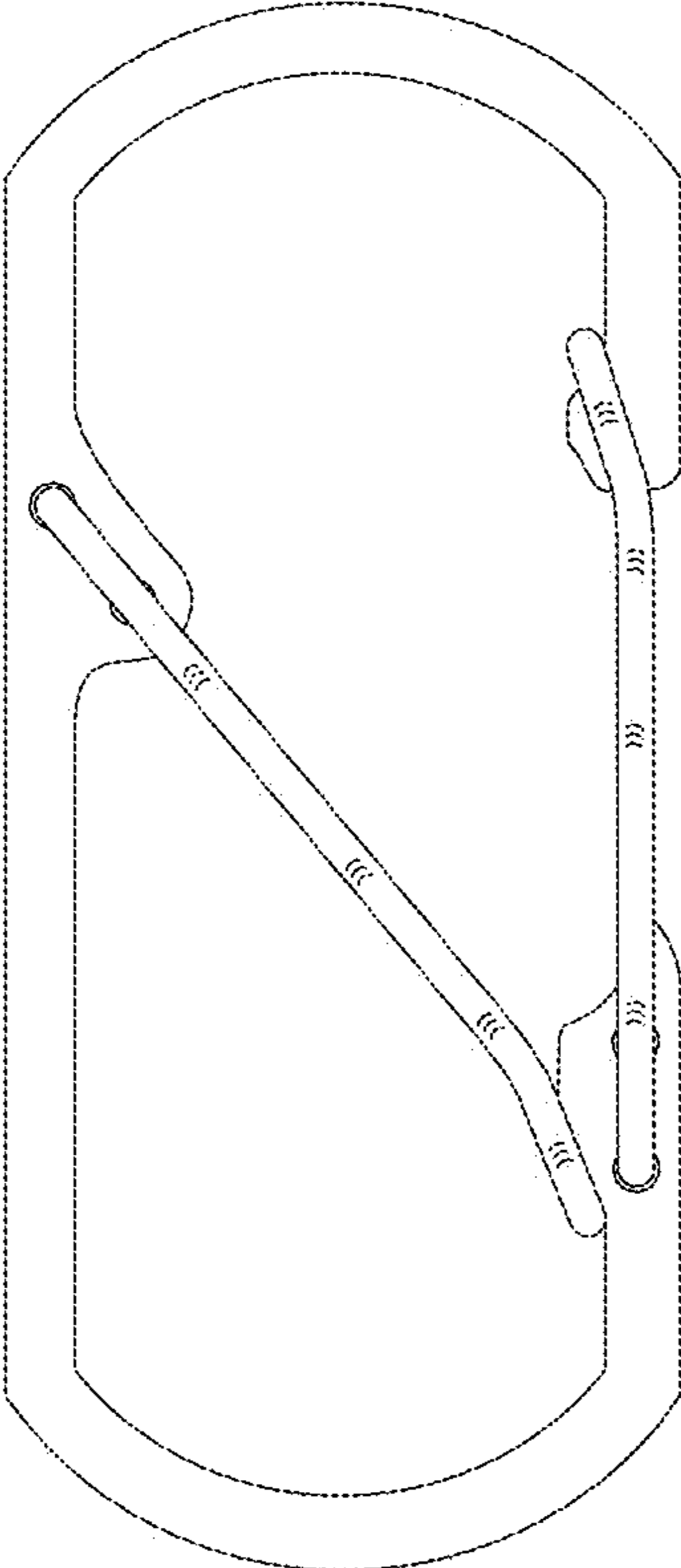


FIG. 1

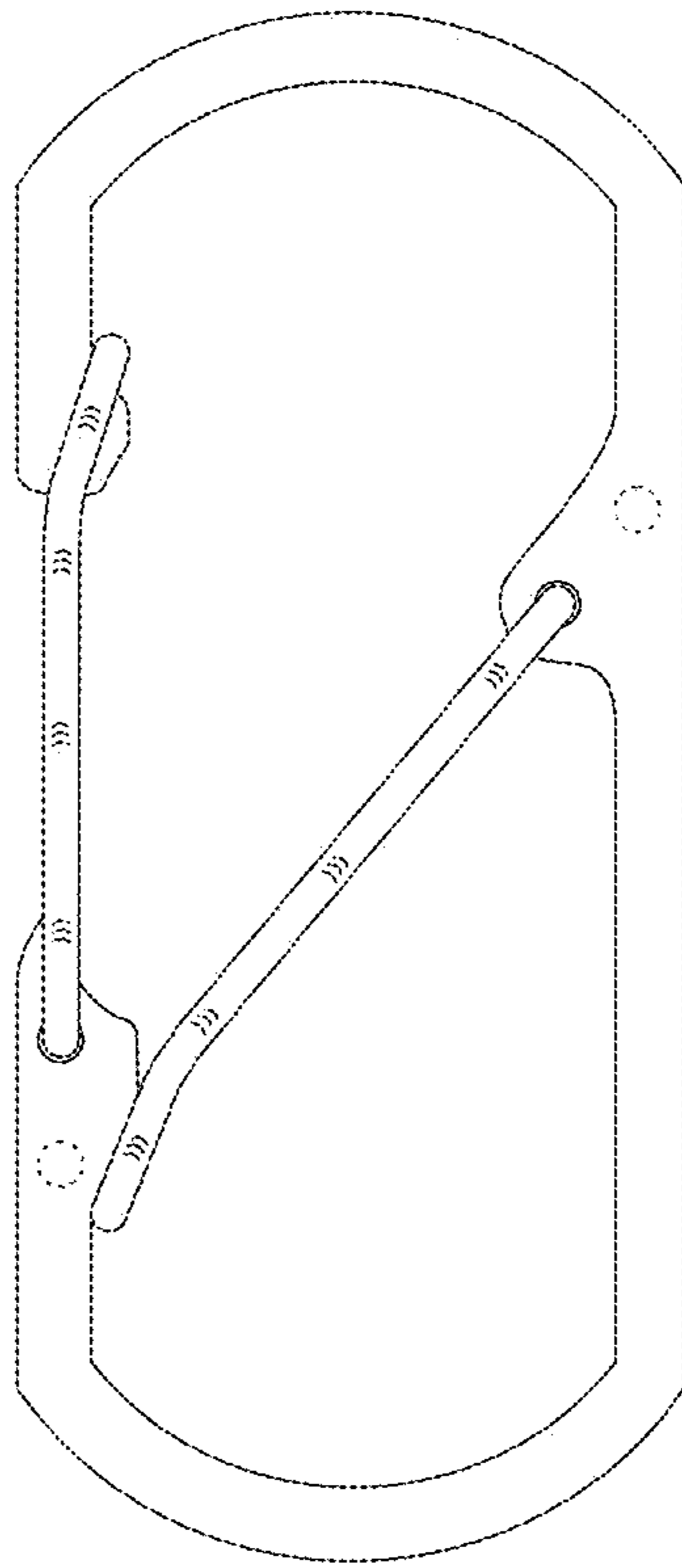


FIG. 2

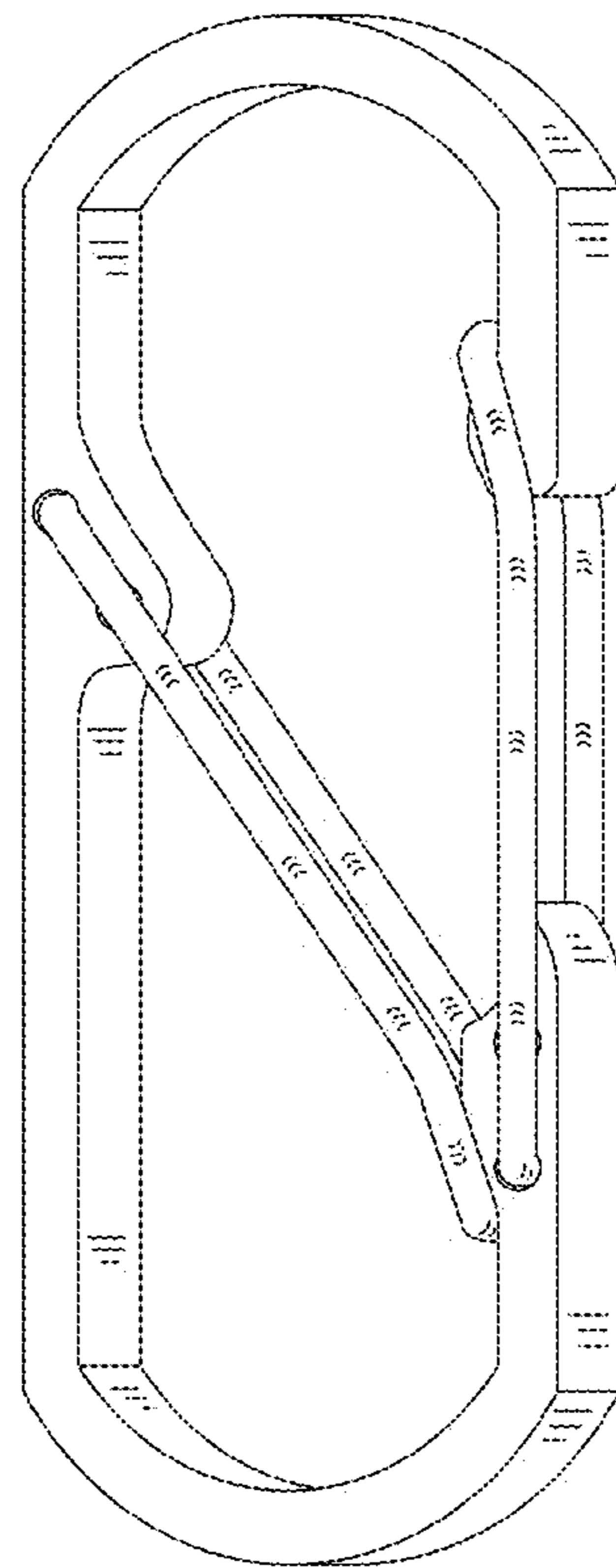


FIG. 3