



US00D933353S

(12) **United States Design Patent**
Chen

(10) **Patent No.:** **US D933,353 S**

(45) **Date of Patent:** **** Oct. 19, 2021**

(54) **PILL BOX**

(71) Applicant: **Changsha Yuwen Network Technology Co., Ltd.**, Changsha (CN)

(72) Inventor: **Junyuan Chen**, Changsha (CN)

(73) Assignee: **CHANGSHA YUWEN NETWORK TECHNOLOGY CO., LTD.**, Changsha (CN)

(**) Term: **15 Years**

(21) Appl. No.: **29/741,609**

(22) Filed: **Jul. 14, 2020**

(30) **Foreign Application Priority Data**

Mar. 13, 2020 (CN) 202030084397.3

(51) **LOC (13) Cl.** **03-01**

(52) **U.S. Cl.**
USPC **D3/203.3**

(58) **Field of Classification Search**
USPC D3/201, 203.1–203.8, 206, 273–274, D3/294–298, 304, 313–314, 901, 903; D7/589; D9/730, 732, 737, 756, D9/759–760; D21/369, 372–373, D21/392–397; D28/73
CPC A61J 1/00; A61J 1/03; A61J 7/00; A61J 7/02; A61J 7/04; A61J 7/0481; A61J 7/0084; B65B 1/04; B65D 1/00; B65D 1/36; B65D 83/04; B65D 83/0445; B65D 83/0481; B65D 43/16; B65D 43/161; B65D 43/162; B65D 2583/04; A63F 9/04; A63F 11/00; A63F 2003/00772–00791; A63F 2003/00943; F21V 33/00
See application file for complete search history.

(56) **References Cited**

U.S. PATENT DOCUMENTS

5,620,109 A * 4/1997 Madden B65D 11/12
206/536
D698,141 S * 1/2014 Priebe D3/203.3

9,161,885 B1 * 10/2015 Zhou A61J 7/0076
D860,636 S * 9/2019 Moody D3/203.3
D877,489 S * 3/2020 Lee D3/203.2
D898,348 S * 10/2020 Guo D3/203.3

(Continued)

OTHER PUBLICATIONS

AUVON Unique Weekly Pill Organizer, first available Sep. 1, 2020, amazon.com [online], [site visited Aug. 23, 2021], Available at internet URL: <https://www.amazon.com/dp/B08H4GWZPM> (Year: 2020).*

(Continued)

Primary Examiner — Jeffrey D Asch
Assistant Examiner — Caitlin A Laverty
(74) *Attorney, Agent, or Firm* — IPro, PLLC

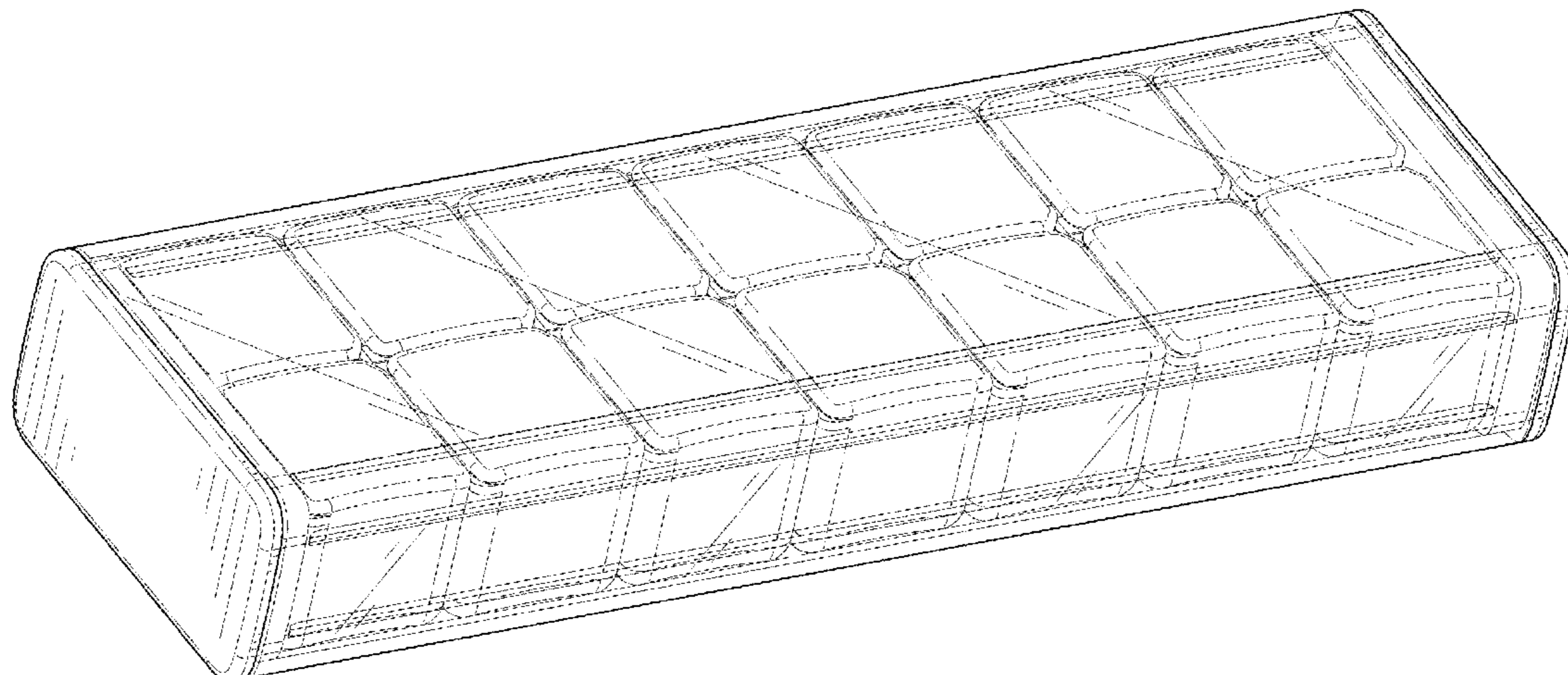
(57) **CLAIM**

The ornamental design for a pill box, as shown and described.

DESCRIPTION

FIG. 1 is a top and front side perspective view of an ornamental design for a pill box showing our new design; FIG. 2 is a front view of the pill box; FIG. 3 is a rear view of the pill box; FIG. 4 is a left side view of the pill box; FIG. 5 is a right side view of the pill box; FIG. 6 is a top side view of the pill box; FIG. 7 is a bottom view of the pill box; and, FIG. 8 is a top and front side perspective view of the pill box in its open state.
The broken lines in the figures are for environmental purposes only and form no part of the claimed design. Any shading and cross-hatching are not features of the design but are utilized to illustrate the surface contours of the pill box in the drawings.

1 Claim, 8 Drawing Sheets



(56)

References Cited

U.S. PATENT DOCUMENTS

D914,358 S * 3/2021 Chen D3/203.3
D916,455 S * 4/2021 Chen D3/203.2
D919,283 S * 5/2021 Guo D3/203.3
2009/0114562 A1* 5/2009 Noble A61J 7/04
206/538
2010/0044270 A1* 2/2010 Noble B65D 83/04
206/538
2010/0147735 A1* 6/2010 Musgray A61J 7/04
206/538
2012/0284939 A1* 11/2012 Anderson A47L 25/005
15/104.002
2013/0056385 A1* 3/2013 Thompson A61J 7/04
206/534
2014/0021086 A1* 1/2014 Roesler B65D 43/162
206/558
2016/0095797 A1* 4/2016 Hartley A61J 7/0481
340/540
2018/0185241 A1* 7/2018 Schmoyer A47B 81/00
2018/0303709 A1* 10/2018 Deluca A61J 7/0445
2021/0107699 A1* 4/2021 Atto A61J 1/14

OTHER PUBLICATIONS

Bug Hull Large Pill Organizer for Travel, first available Jul. 7, 2019, amazon.com [online], [site visited Aug. 23, 2021], Available at internet URL: <https://www.amazon.com/dp/B07TYSHRVJ> (Year: 2019).*

* cited by examiner

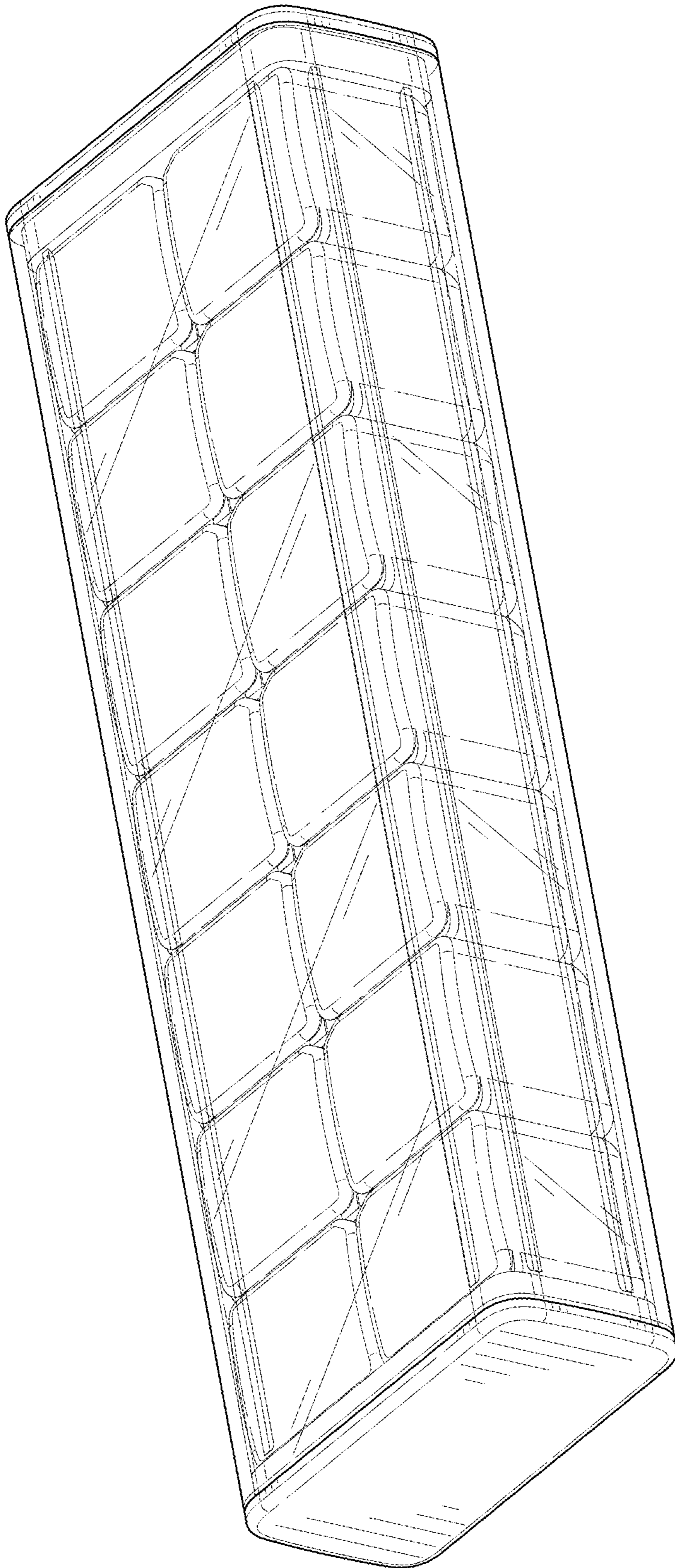


FIG. 1

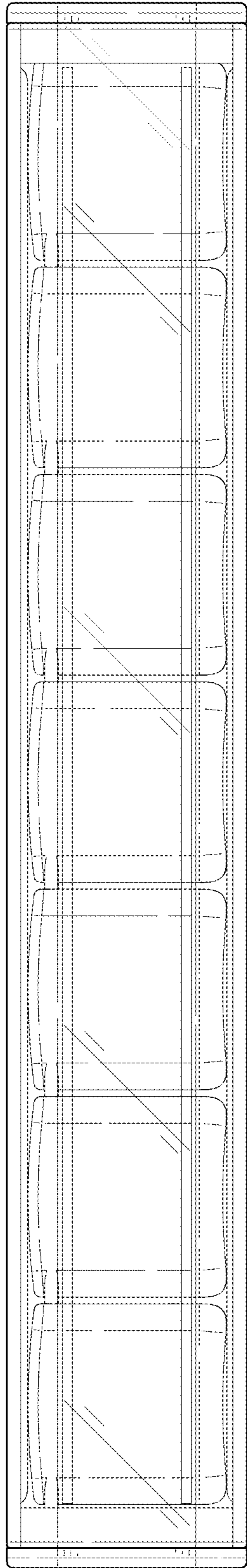


FIG. 2

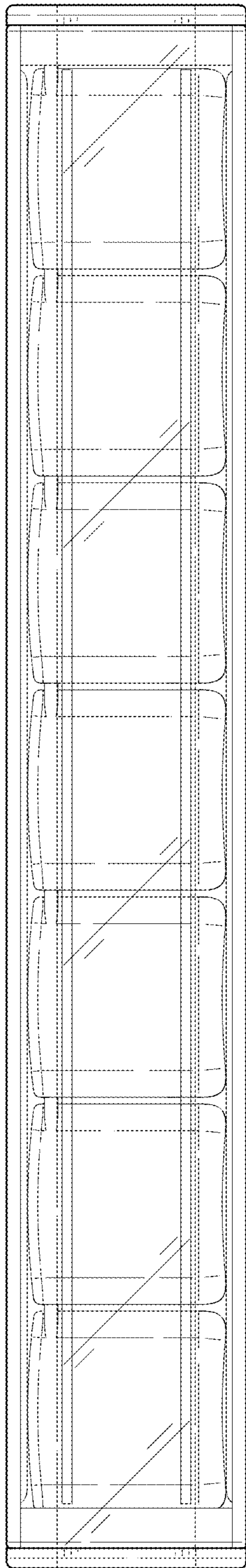


FIG. 3

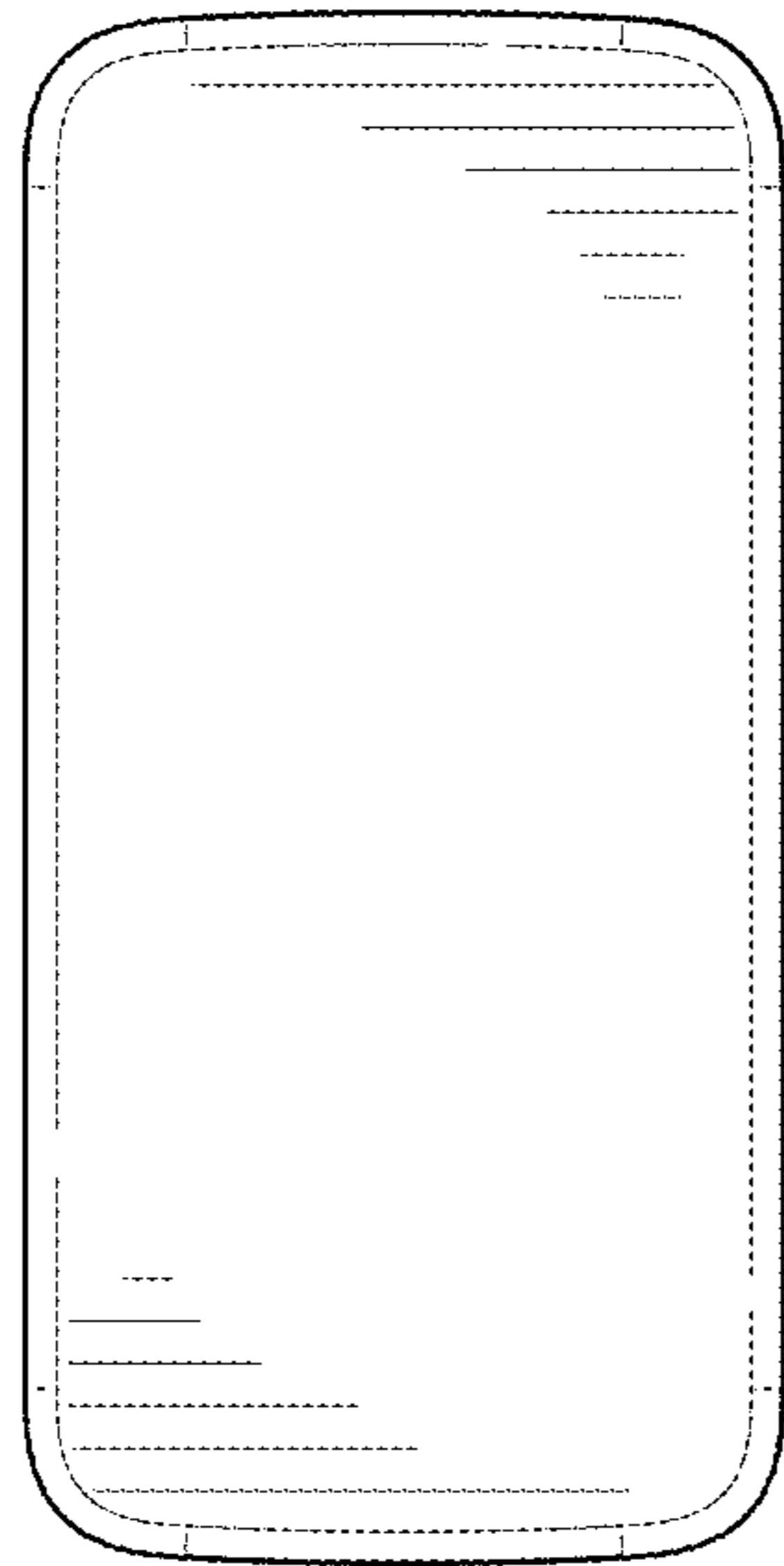


FIG. 4

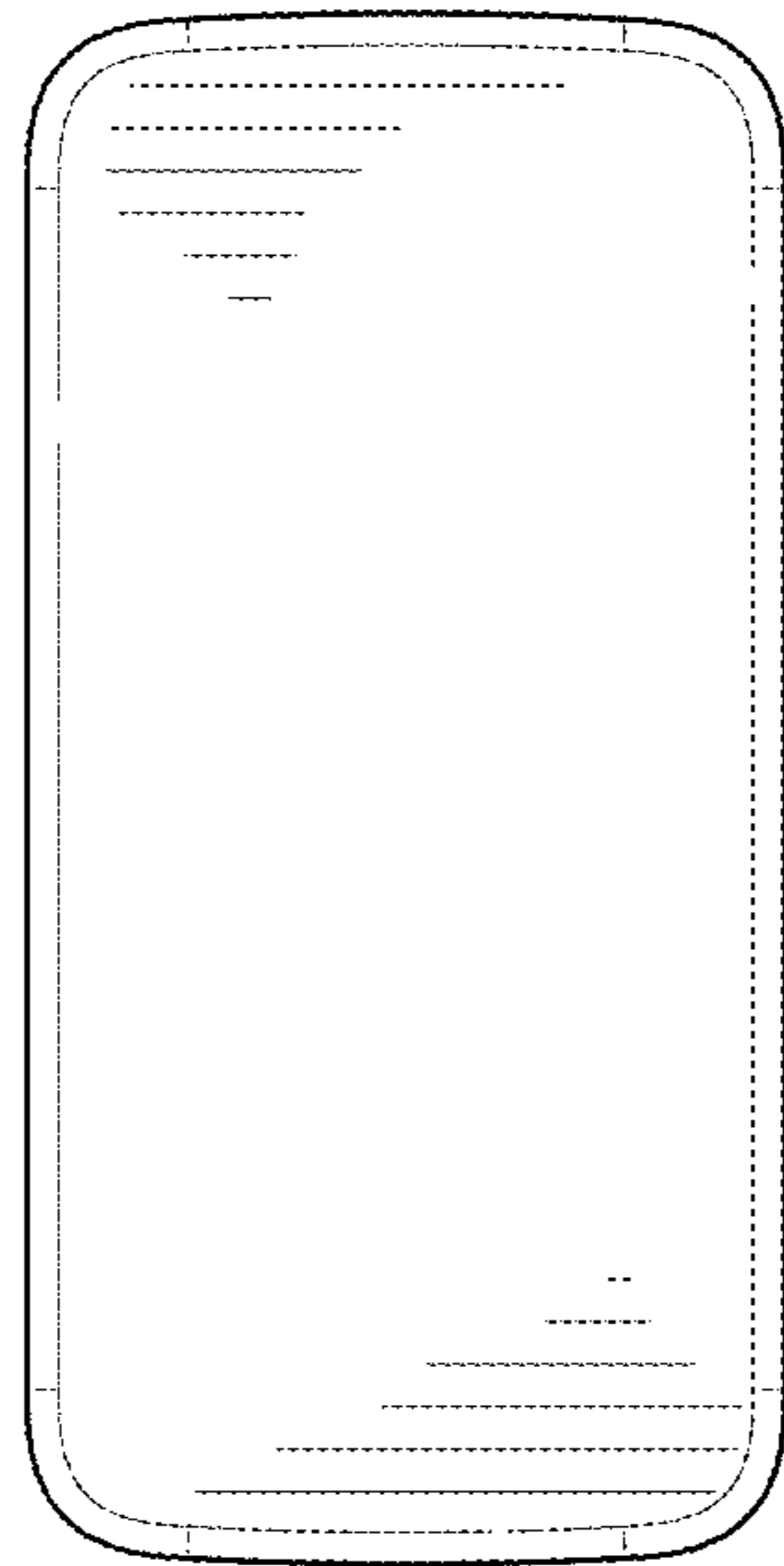


FIG. 5

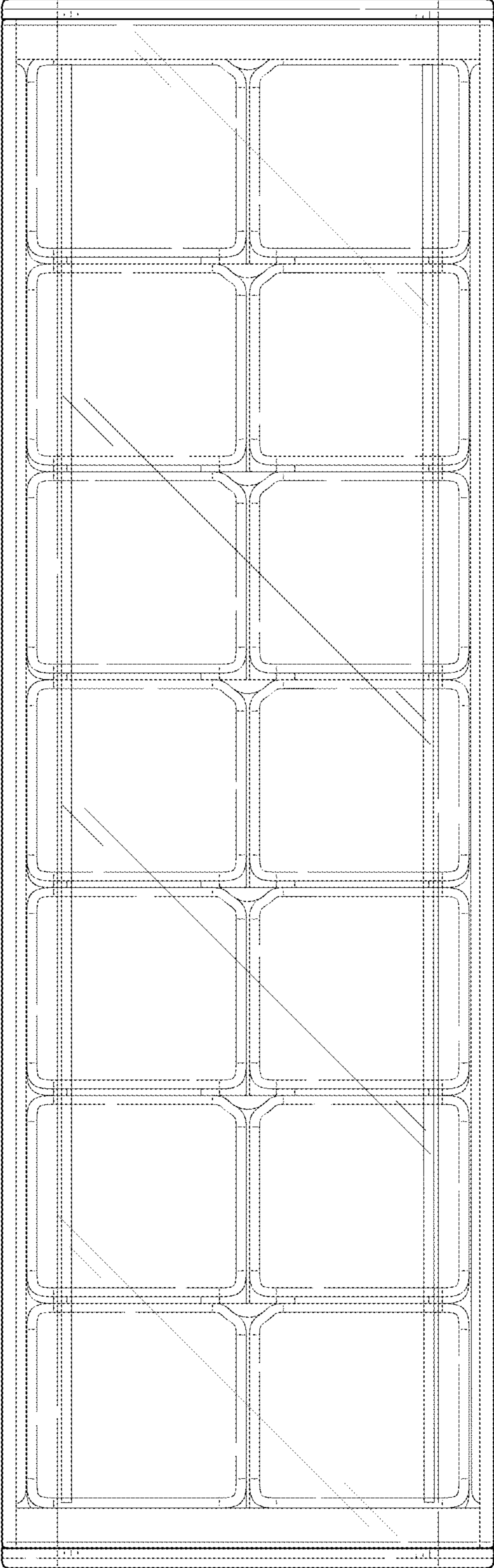


FIG. 6

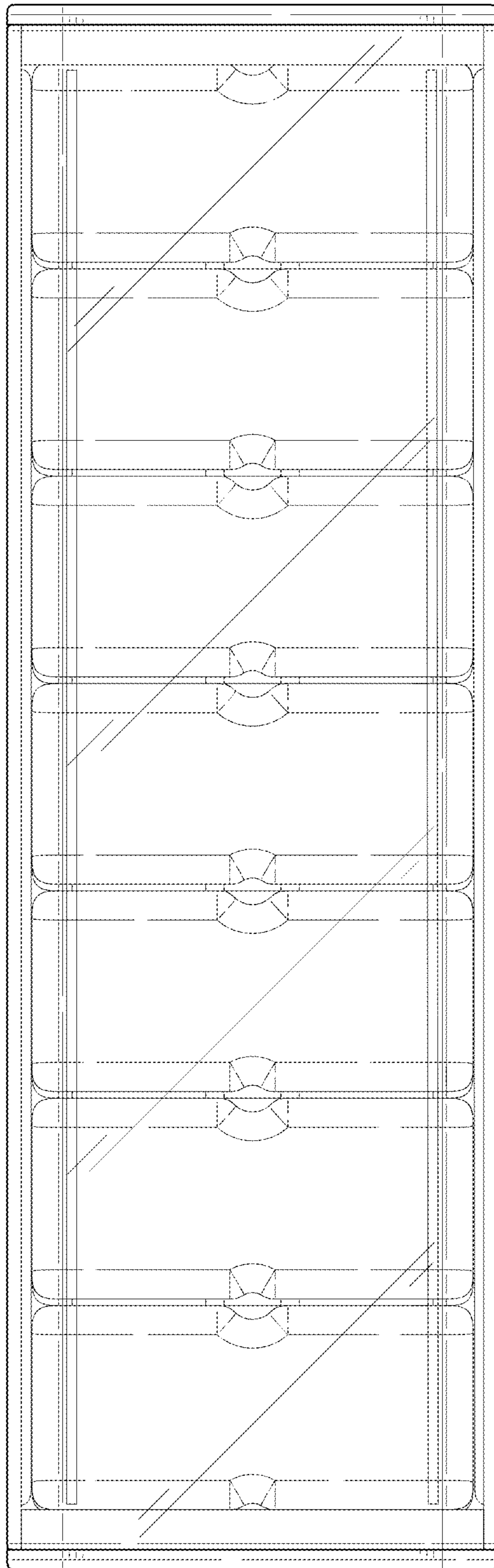


FIG. 7

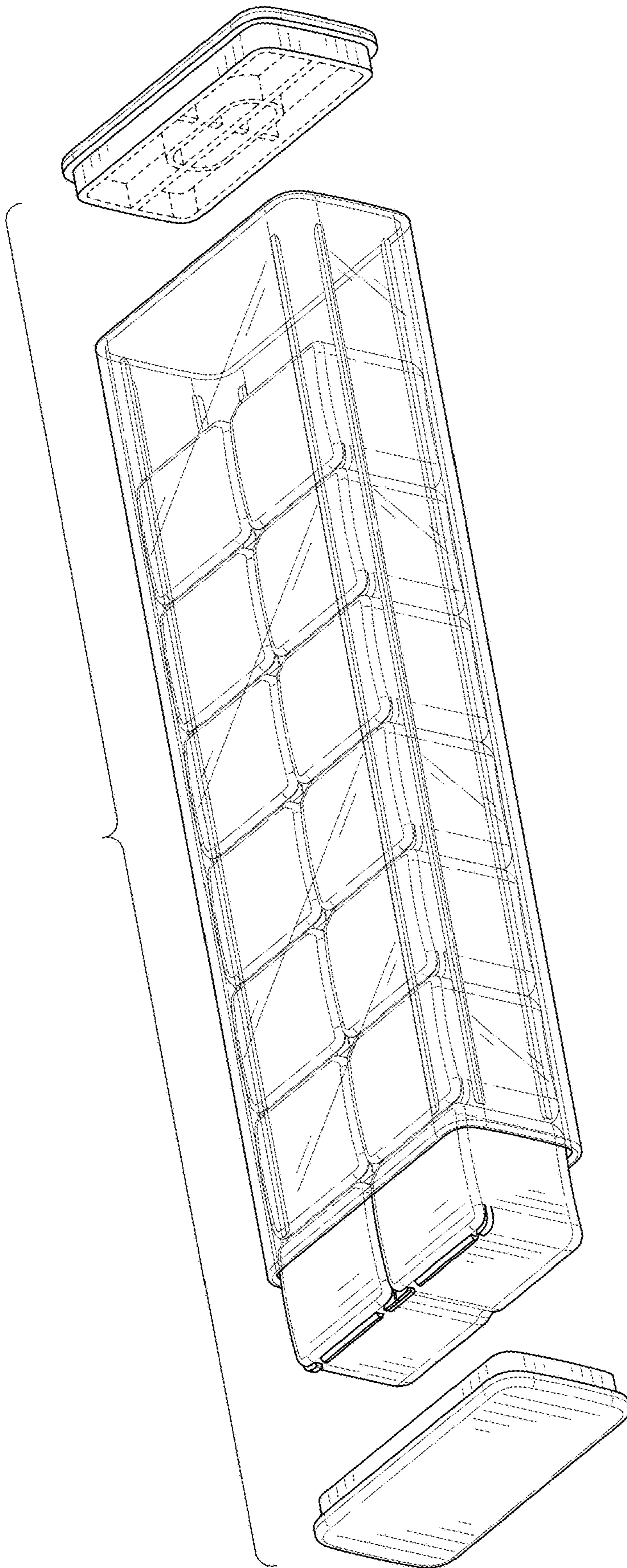


FIG. 8