



US00D933352S

(12) **United States Design Patent** (10) **Patent No.:** **US D933,352 S**
Bloch et al. (45) **Date of Patent:** **** Oct. 19, 2021**

(54) **CASE FOR AN ORAL DEVICE**
(71) Applicant: **Colgate-Palmolive Company**, New York, NY (US)
(72) Inventors: **Brian Bloch**, Hillsborough, NJ (US); **Scott Demarest**, Loudon, TN (US)
(73) Assignee: **Colgate-Palmolive Company**, New York, NY (US)

D713,642 S 9/2014 Krauss
D731,793 S * 6/2015 Houghton D3/294
D756,768 S 5/2016 Cunningham
D772,572 S 11/2016 Palmborg et al.
D816,994 S 5/2018 Fischer et al.
(Continued)

(**) Term: **15 Years**
(21) Appl. No.: **29/652,652**
(22) Filed: **Oct. 19, 2020**

FOREIGN PATENT DOCUMENTS

JP 1134216 12/2001
TW D106555 S 9/2005

OTHER PUBLICATIONS

Dental Aesthetics, 2016, "Estuche Ortod3ntico Delgado 'Slim' para Retenedores—Elección de Colores & Escarcha para Bandejas de Blanqueamiento, Protectores Bucales, F3rulas y M3s," [https://www.amazon.es/Estuche-Ortod3nticoDelgadoSlimRetenedores/dp/B00HSRKEAE?tag=damysus-21](https://www.amazon.es/Estuche-Ortod%C3%B3nticoDelgadoSlimRetenedores/dp/B00HSRKEAE?tag=damysus-21), retrieved from the Internet May 18, 2021.

(Continued)

Primary Examiner — Mark A Goodwin
Assistant Examiner — Benjamin M Weeks

Related U.S. Application Data

(62) Division of application No. 29/660,406, filed on Aug. 21, 2018, now Pat. No. Des. 902,578.
(51) **LOC (13) Cl.** **03-01**
(52) **U.S. Cl.**
USPC **D3/203.1**
(58) **Field of Classification Search**
USPC D3/203.1, 203.3, 201, 203.6, 203.7, 216, D3/217, 267, 285, 287, 289, 301; D7/500, 509, 523, 507, 619.1
CPC A45F 5/00; A45F 5/021; A45F 5/02; A45F 2200/0516; A45F 2005/008; A45F 2005/006; A45F 2003/142
See application file for complete search history.

(57) **CLAIM**

The ornamental design for a case for an oral device, as shown and described.

DESCRIPTION

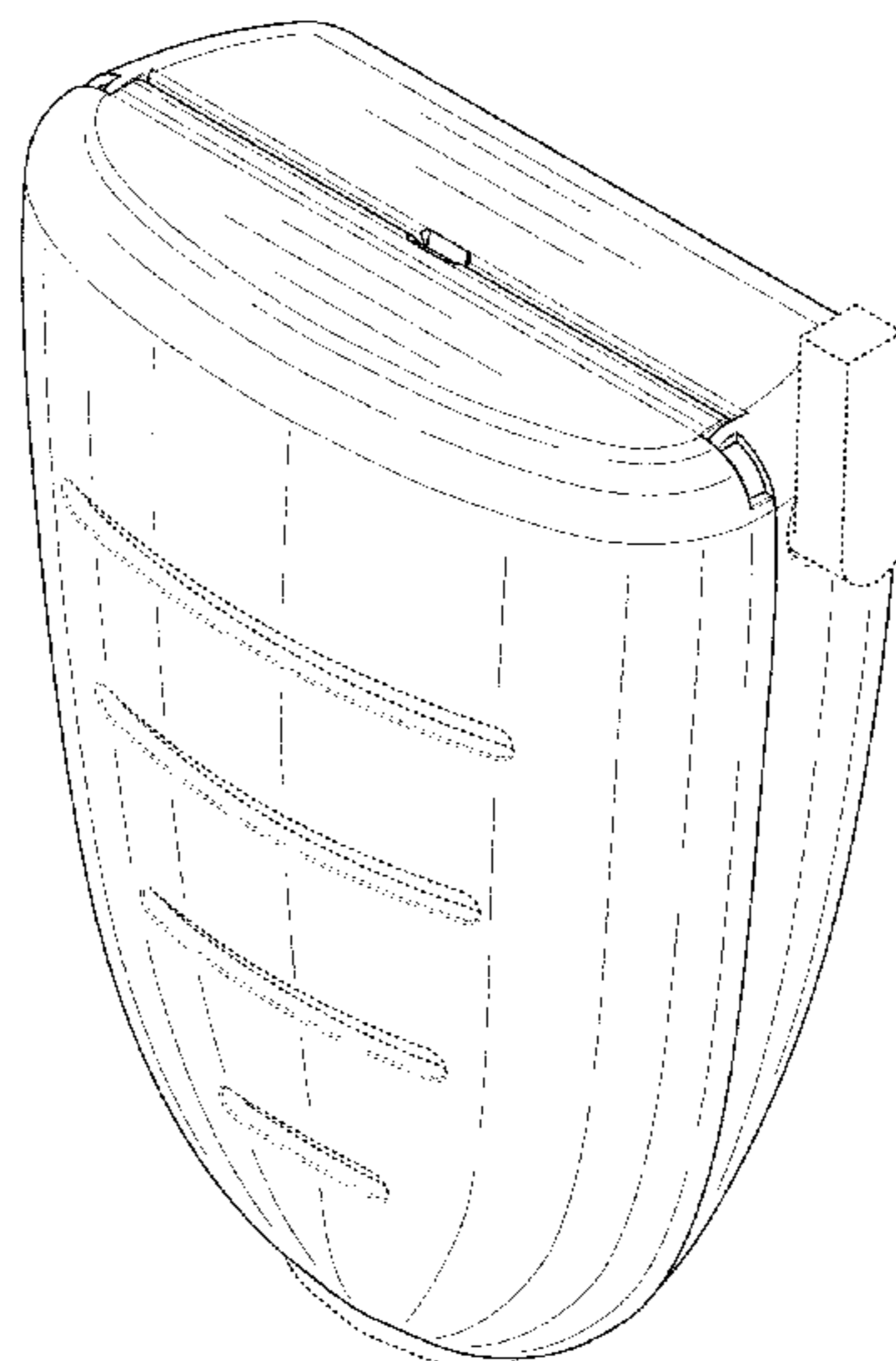
FIG. 1 is a front perspective view of a case for an oral device according to the new design;
FIG. 2 is a rear perspective view thereof;
FIG. 3 is a front view thereof;
FIG. 4 is a rear view thereof;
FIG. 5 is a left side view thereof;
FIG. 6 is a right side view thereof;
FIG. 7 is a top view thereof; and,
FIG. 8 is a bottom view thereof.
The broken lines in the drawings illustrate portions of the case that form no part of the claimed design.

(56) **References Cited**

U.S. PATENT DOCUMENTS

D392,802 S 3/1998 Malmborg
D481,250 S 10/2003 Hassett
D492,681 S 7/2004 Ahearn et al.
D534,423 S 1/2007 Tanner
D550,077 S 9/2007 Lagreca et al.
D612,595 S 3/2010 McCurdy
D614,048 S 4/2010 Smith
D694,644 S 12/2013 Limback

1 Claim, 8 Drawing Sheets



(56)

References Cited

U.S. PATENT DOCUMENTS

D839,583	S	2/2019	Cao	
D851,913	S	6/2019	Yu	
10,418,604	B2	9/2019	Kakiel et al.	
D869,163	S	12/2019	Maguire	
D882,262	S *	4/2020	Zhang	D3/294
D902,578	S *	11/2020	Bloch	D3/203.1
D904,024	S *	12/2020	Koneru	D3/294
D908,084	S *	1/2021	He	D13/108
D911,274	S *	2/2021	Ding	D13/108
D918,579	S *	5/2021	Youn	D3/273
D921,582	S *	6/2021	Liu	D13/108
2007/0012711	A1	1/2007	Kutsch et al.	

OTHER PUBLICATIONS

Queralto, 2017, "Caja protector para protesis, implantes y siliconas dentales," https://www.amazon.es/dp/B06XT3TLQS?tag=cajas0021&linkCode=osi&th=1&psc=1&keywords=%25post_title%25 retrieved from the Internet May 18, 2021.

Fighter X Fashion, 2013, "Fight Dentist Shield Mouthguard Carry Case," <http://fighterxfashion.com/fight-dentist-shield-mouthguard-carry-case/>.

Glowhiter Teeth Whitening, 2018, "Mouldable Mouth Trays & Case," <https://glowhiter.com/products/mouldable-mouth-trays-case/>.

Ithaca Sports, 2003, "Battle Sports Mouthguard Case," https://www.ithacasports.com/battle-sports-mouthguard-case-9010.html?cmp=googleproducts&kw=battle-sports-mouthguard-case-9010&gclid=CjwKCAjwwdTbBRAIEiwAYQf_E3hZr1RjMNI5wJHNZWxwjxTIRzGfum9VPhg99nEY-IDknb6ti58xoCXhAQAvD_BwE.

Just Her Sports, 2018, "Under Armour Mouth Guard Case," <https://www.justhersports.com/under-armour-mouth-guard-case.html>.

Piana, "Glo Brilliant Whitening Mouthpiece & Case," <https://www.piana.com/products/copy-of-glo-brilliant-teeth-whitening-device-refills> website accessed Aug. 16, 2018.

QVC, "Smileactives ProLite LED Teeth Whitening Device w/Pens," <https://www.qvc.com/Smileactives-ProLite-LED-Teeth-Whitening-Device-w-Pens.product.A294870.html> website accessed Aug. 16, 2018.

SPORTSTOP.com, 2018, "Shock Doctor Anti-Microbial Lime Green Mouthguard Case," <https://www.sportstop.com/Shock-Doctor-Anti-Microbial-Lime-Green-Mouthguard-Case>.

United Fightwear, "SISU Mouthguard Case," <https://www.united-fightwear.com/en/safety-equipment/mouthguard/sisu-mouthguard-case.html> website accessed Aug. 16, 2018.

* cited by examiner

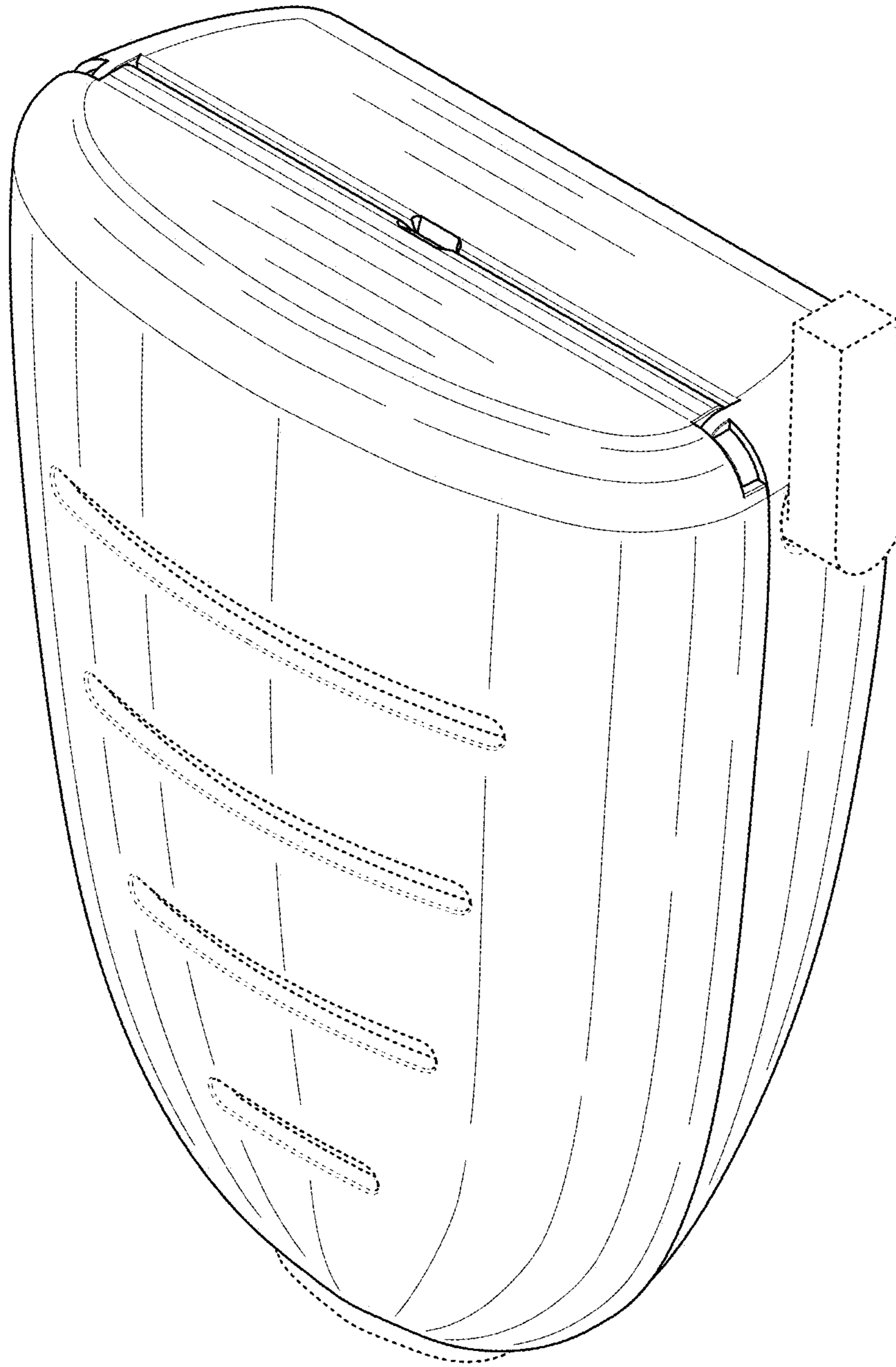


FIG. 1

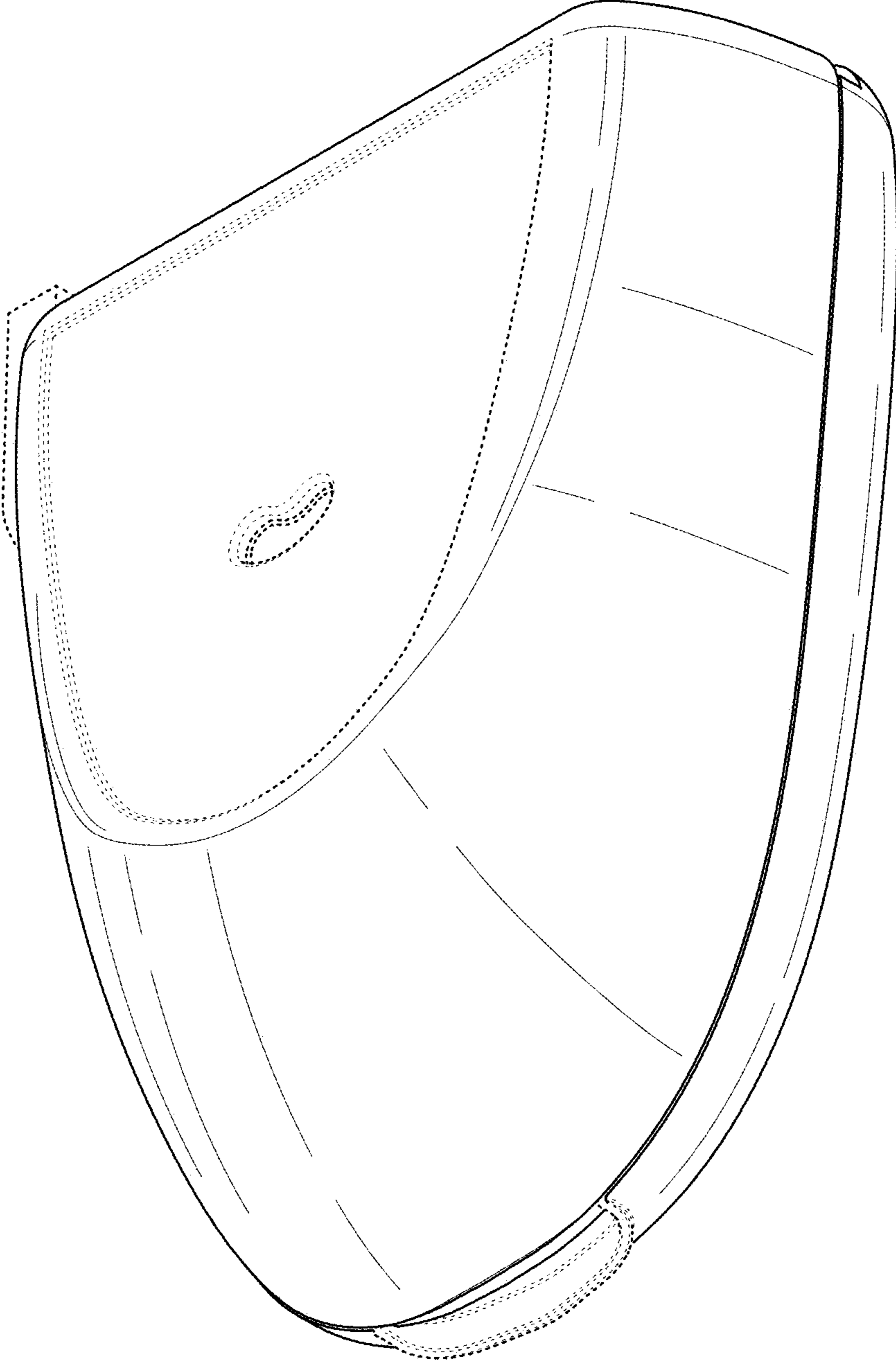


FIG. 2

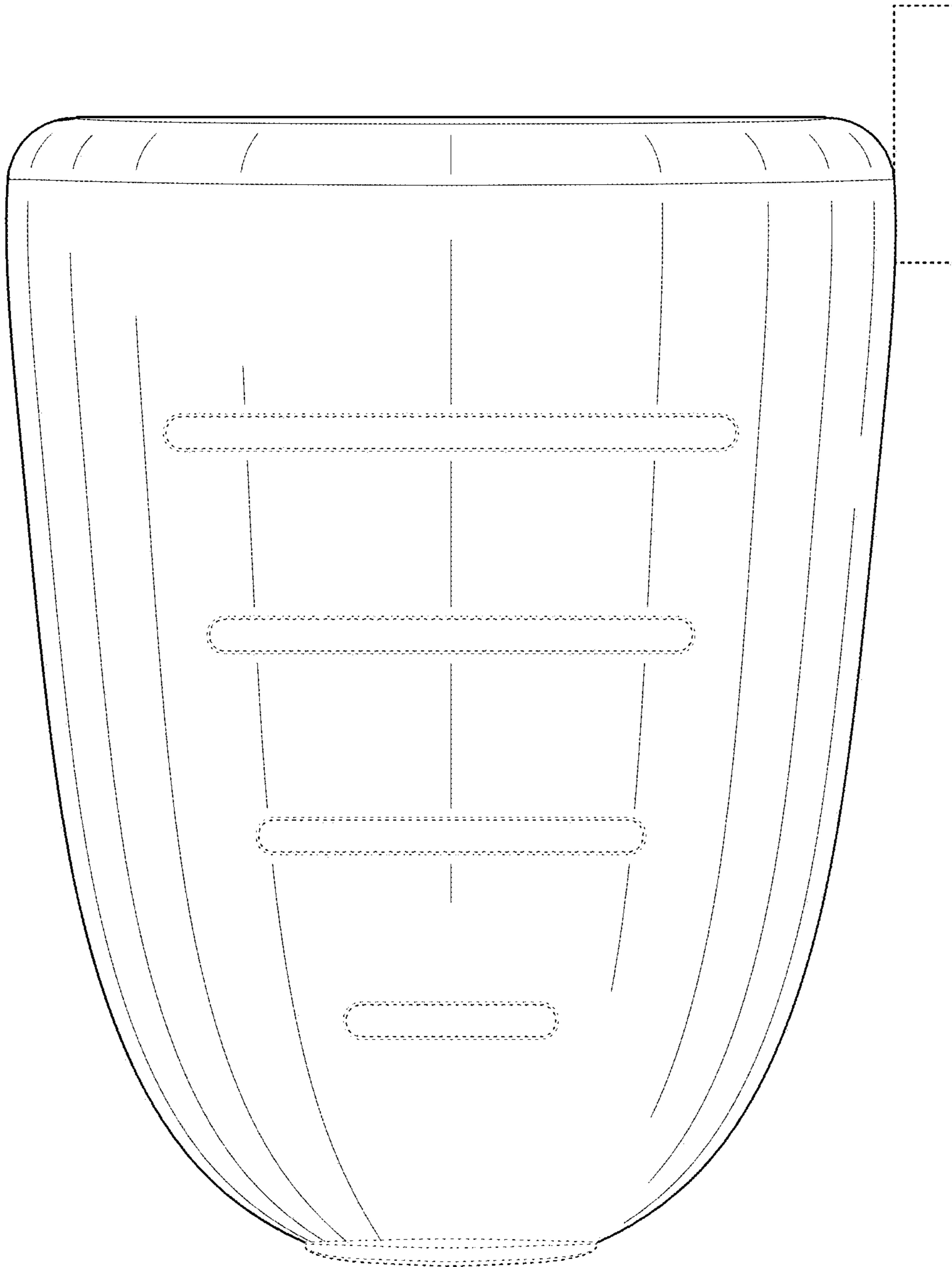


FIG. 3

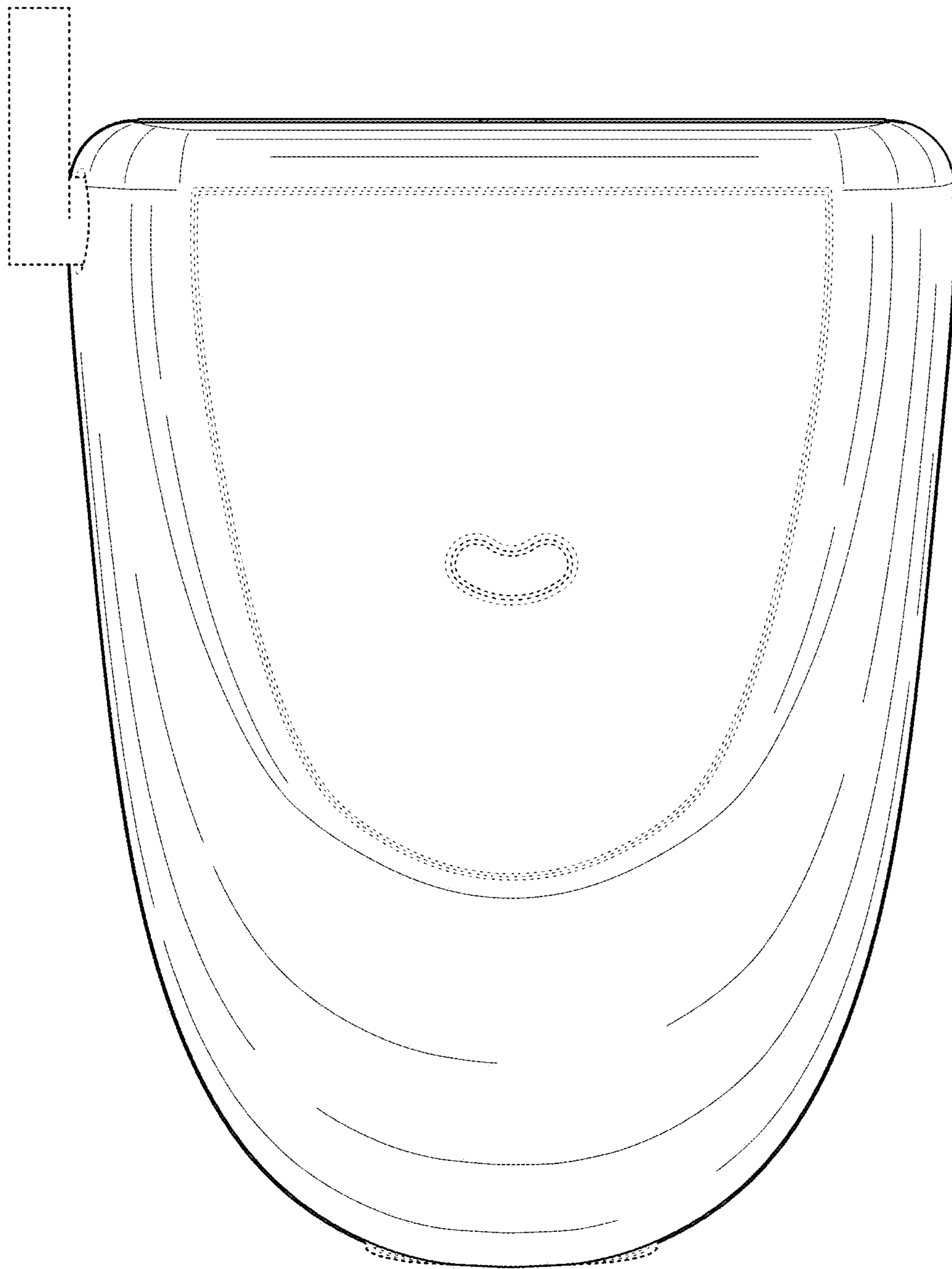


FIG. 4

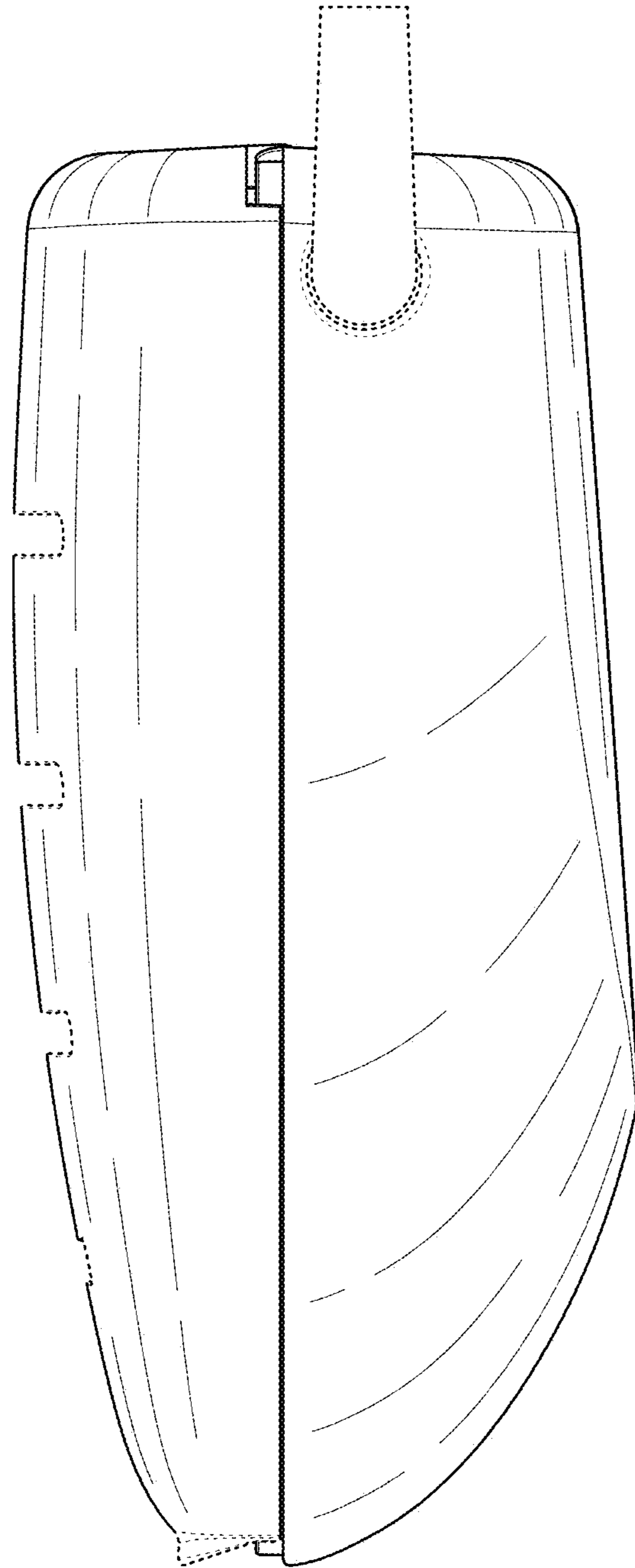


FIG. 5

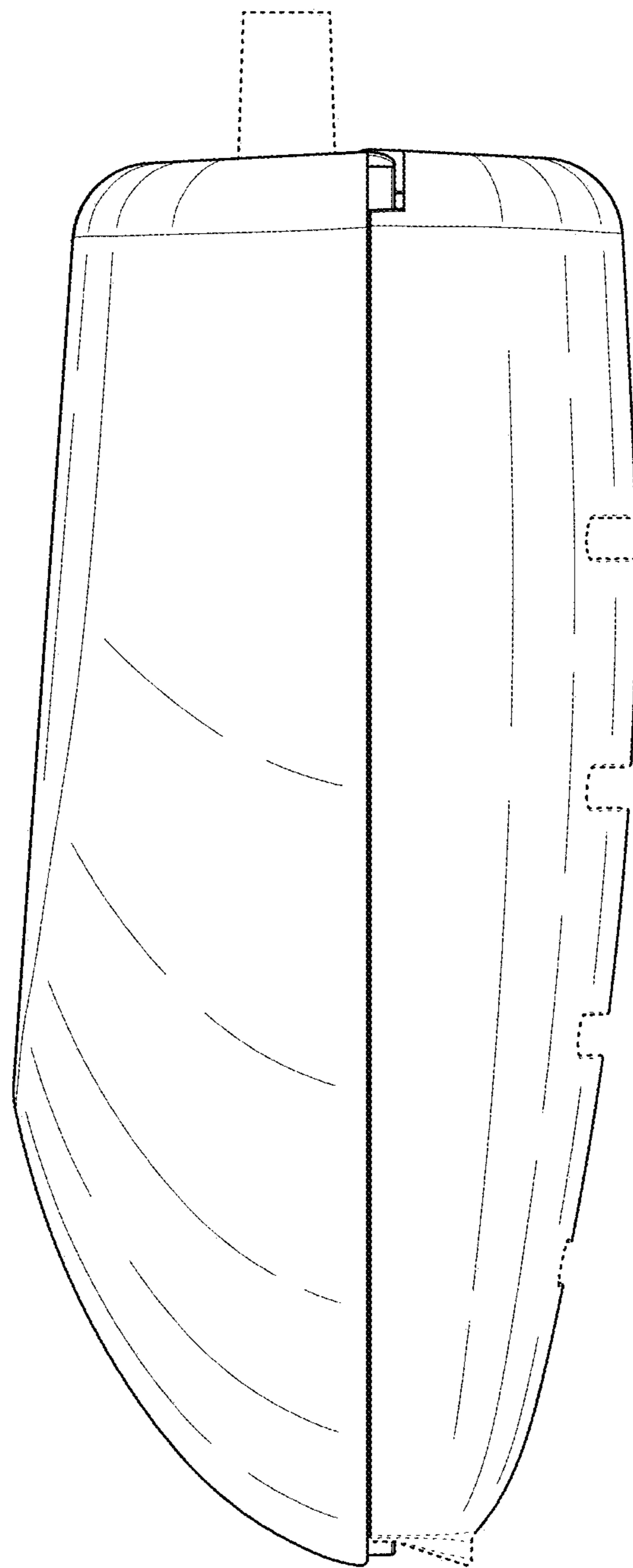


FIG. 6

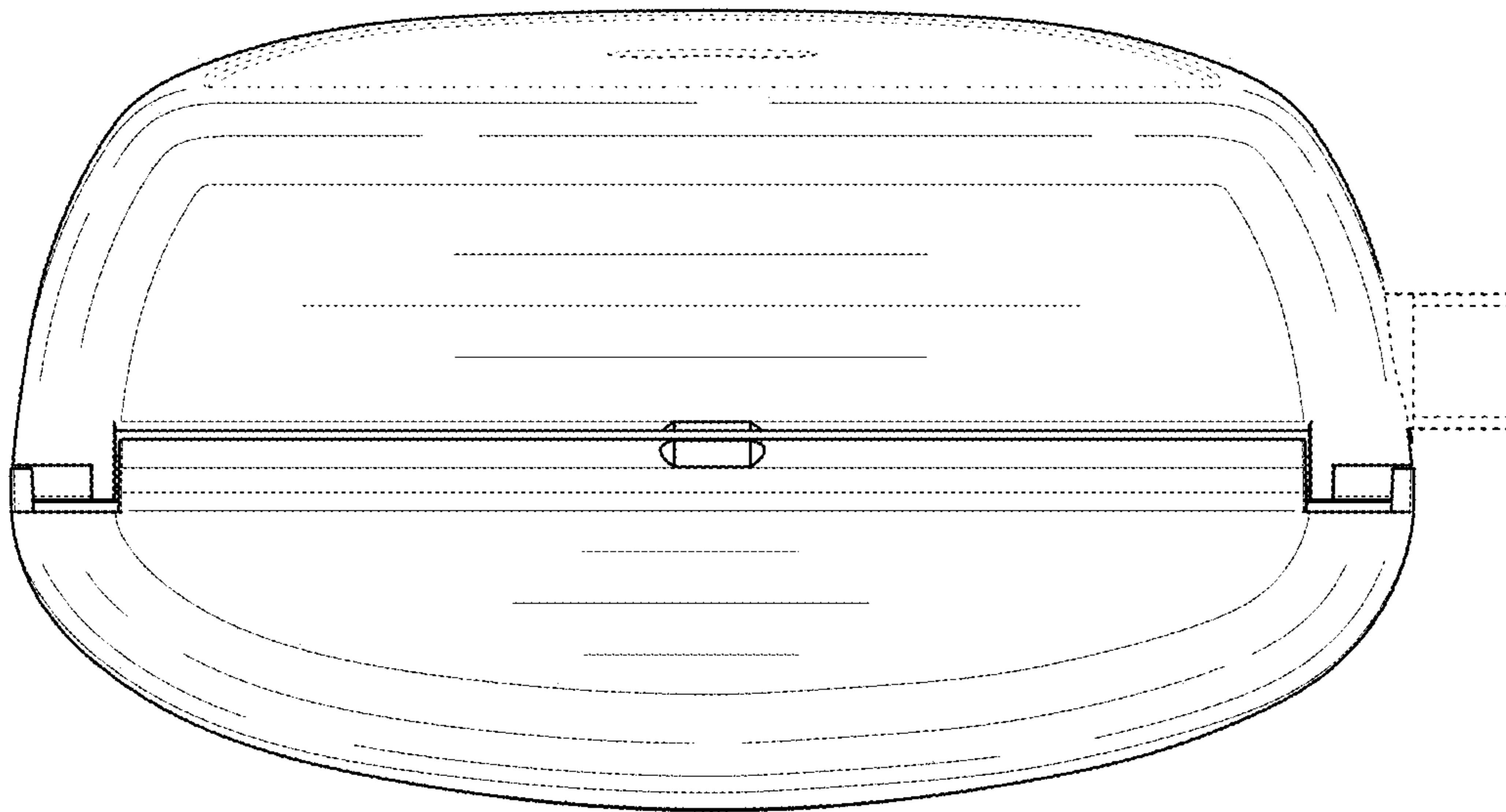


FIG. 7

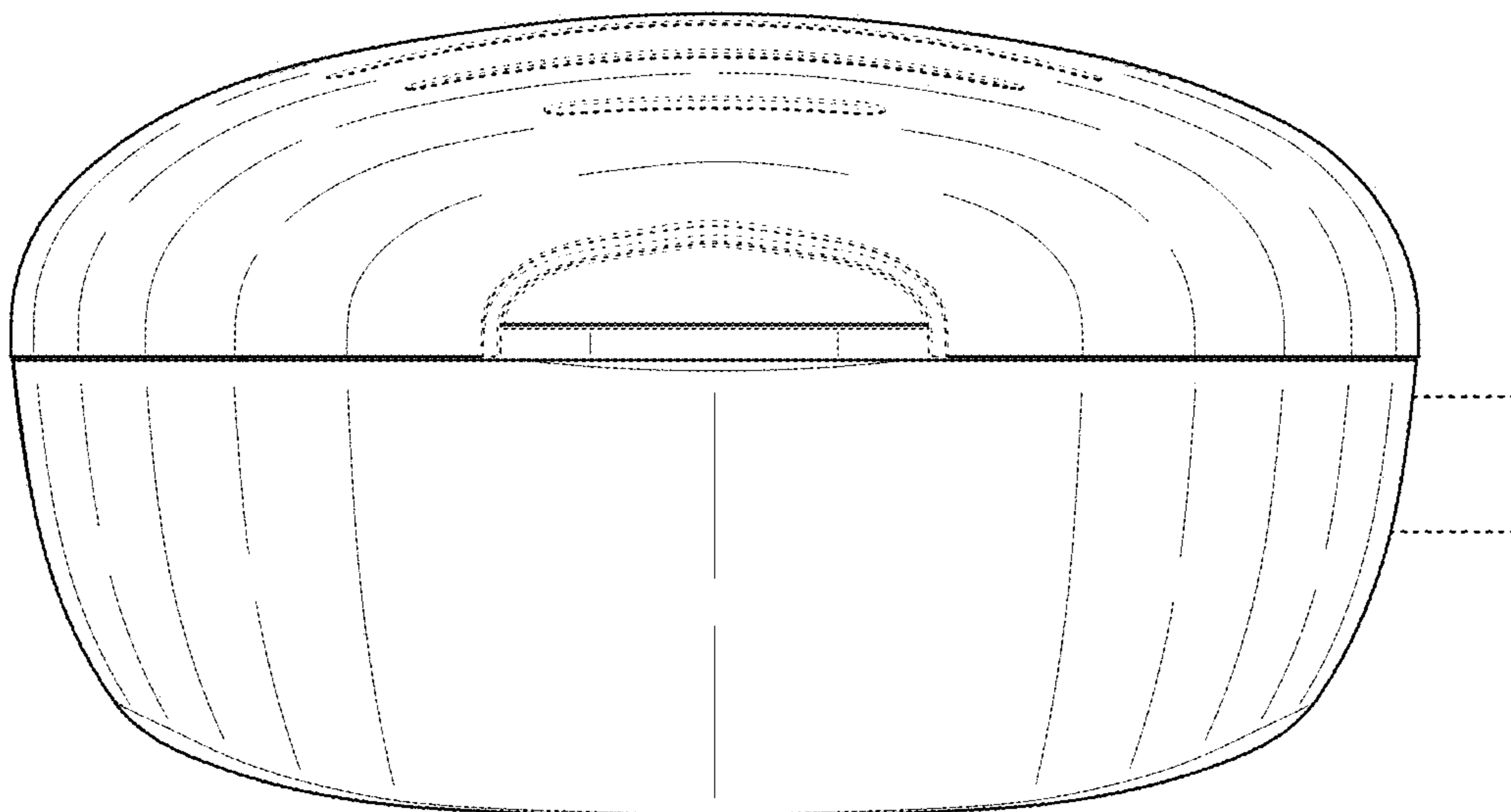


FIG. 8