



US00D933351S

(12) **United States Design Patent** (10) **Patent No.:** **US D933,351 S**
Armstrong et al. (45) **Date of Patent:** **** Oct. 19, 2021**

- (54) **CASE FOR MOBILE HEARABLES**
- (71) Applicant: **URBAN ARMOR GEAR, LLC**,
Laguna Niguel, CA (US)
- (72) Inventors: **Steven Armstrong**, San Juan
Capistrano, CA (US); **Jason Veltz**, San
Diego, CA (US)
- (73) Assignee: **URBAN ARMOR GEAR, LLC**,
Laguna Niguel, CA (US)
- (**) Term: **15 Years**
- (21) Appl. No.: **29/690,692**
- (22) Filed: **May 9, 2019**
- (51) **LOC (13) Cl.** **03-01**
- (52) **U.S. Cl.**
USPC **D3/201; D3/218; D3/273**
- (58) **Field of Classification Search**
USPC D3/201, 203.1, 204, 205, 207–208, 212,
D3/215, 218, 269, 273–274, 276, 283,
D3/284, 294–300, 302, 303, 315, 901,
D3/903; D9/414, 418, 420, 430, 432;
D28/66, 73, 76, 78, 91; D14/188, 201,
D14/204, 205, 209.1, 217, 250, 251, 440,
D14/447
CPC ... A45C 13/002; A45C 13/005; A45C 13/025;
A45C 2011/001; A45C 2011/002; A45C
2011/003
See application file for complete search history.

- D872,723 S * 1/2020 Lee D14/250
- D874,826 S * 2/2020 Zhang D3/303
- D881,180 S * 4/2020 Wright D14/250
- D886,445 S * 6/2020 Hyun D3/201
- D886,453 S * 6/2020 Wright D3/294
- D887,140 S * 6/2020 Hyun D3/302
- 2018/0064224 A1 * 3/2018 Brzezinski H04R 1/1025

OTHER PUBLICATIONS

Silicone Case for Apple AirPods, posted at urbanarmourgear.com, no posting date, retrieved Jun. 20, 2020, online, URL: <https://www.urbanarmourgear.com/products/airpods-silicon-case> (Year: 2020).*
“First Office Action received for Chinese Application No. 2019306177992, dated Mar. 11, 2020, 1 page”.

* cited by examiner

Primary Examiner — Lilyana Bekic

Assistant Examiner — Mary Shannon Malley

(74) *Attorney, Agent, or Firm* — K&L Gates LLP; Brian J. Novak; Georgia N. Kefallinos

(57) **CLAIM**

The ornamental design for a case for mobile hearables, as shown and described.

DESCRIPTION

FIG. 1 is a front perspective view of a case for mobile hearables.

FIG. 2 is a front elevation view of the case of FIG. 1.

FIG. 3 is a rear elevation view of the case of FIG. 1.

FIG. 4 is a left side elevation view of the case of FIG. 1.

FIG. 5 is a right side elevation view on the case of FIG. 1.

FIG. 6 is a top plan view of the case of FIG. 1; and,

FIG. 7 is a bottom plan view of the case of FIG. 1.

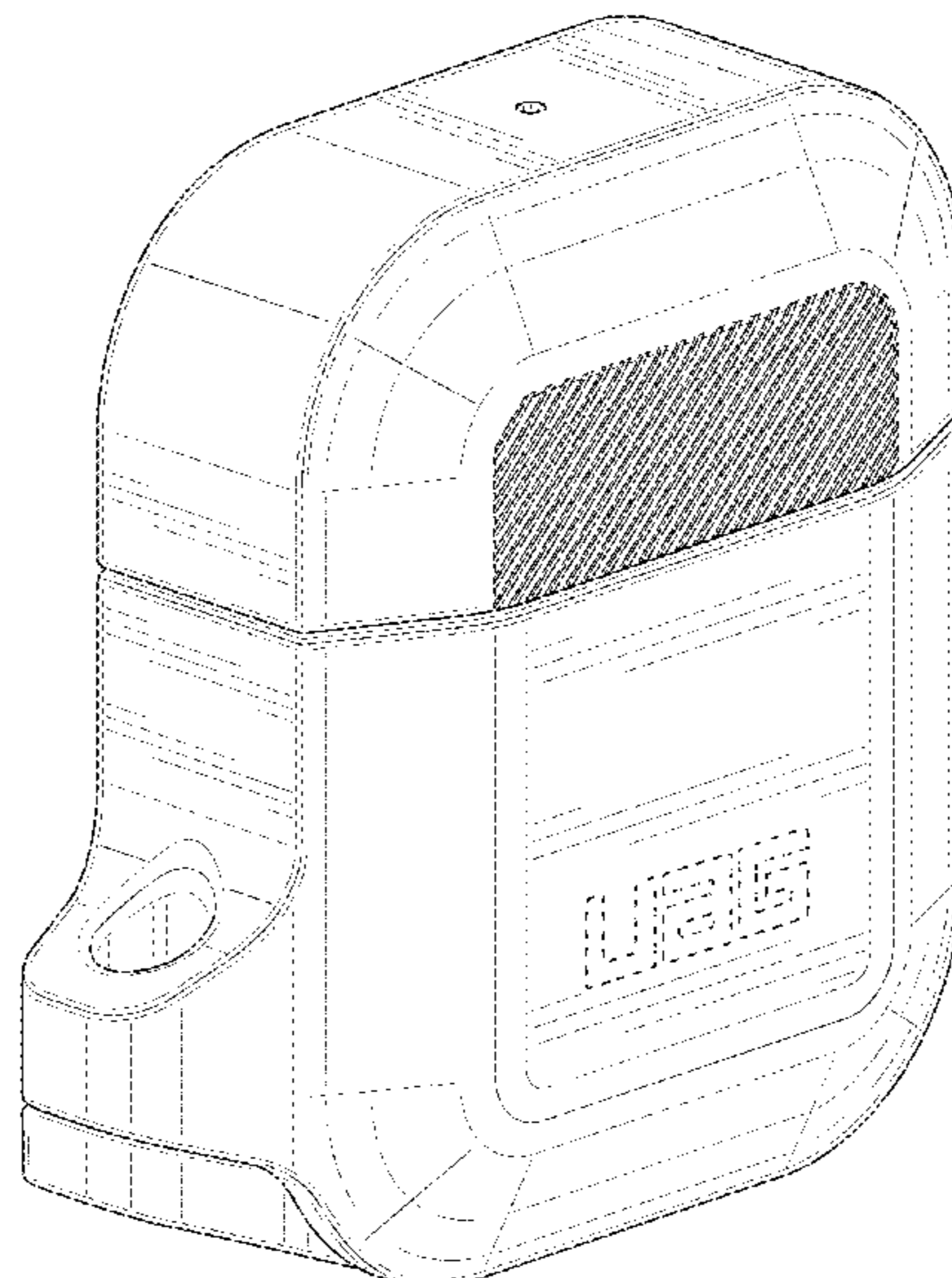
The dot-dash broken lines depict the boundary of the claimed design and form no part thereof. The dash-dash broken lines depict portions of the case for mobile hearables that form no part of the claimed design.

1 Claim, 7 Drawing Sheets

(56) **References Cited**

U.S. PATENT DOCUMENTS

- D322,752 S * 12/1991 Zintzmeyer D4/116
- D709,699 S * 7/2014 Hsu D3/294
- D794,617 S * 8/2017 Wright D14/203.3
- D809,454 S * 2/2018 Zhou D13/103
- D813,193 S * 3/2018 Zeng D14/204
- D869,147 S * 12/2019 Lian D3/201



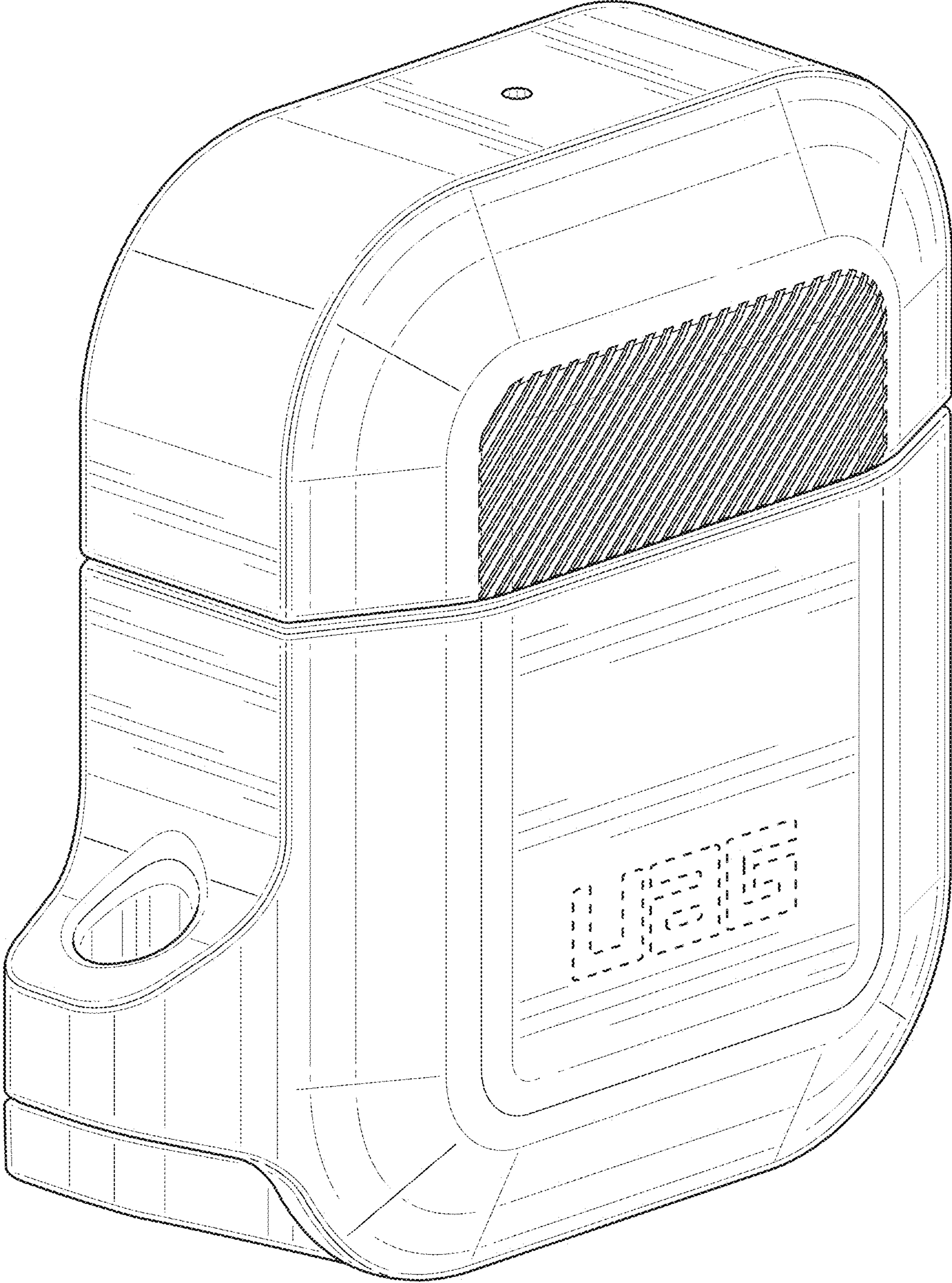


FIG. 1

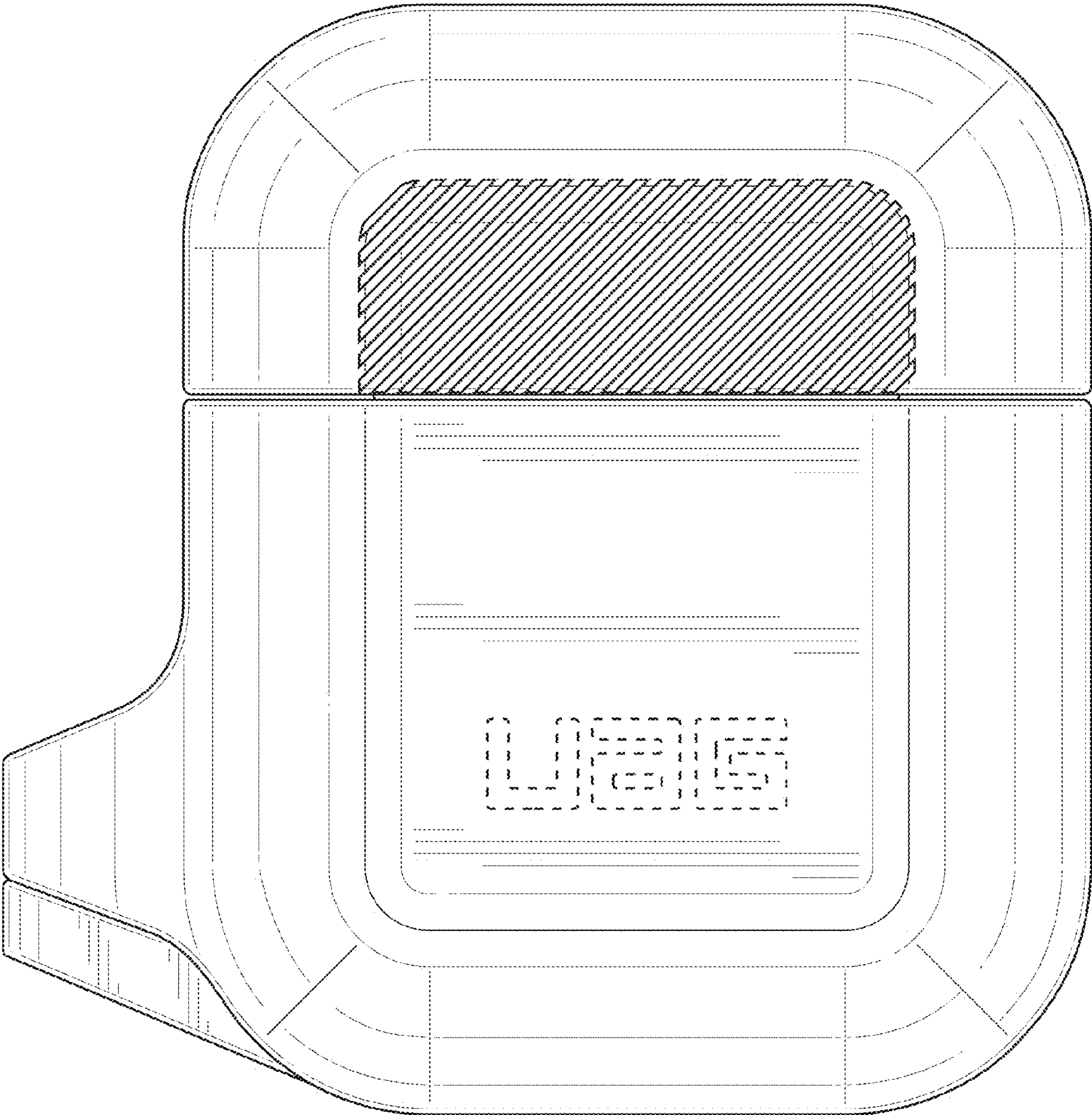


FIG. 2

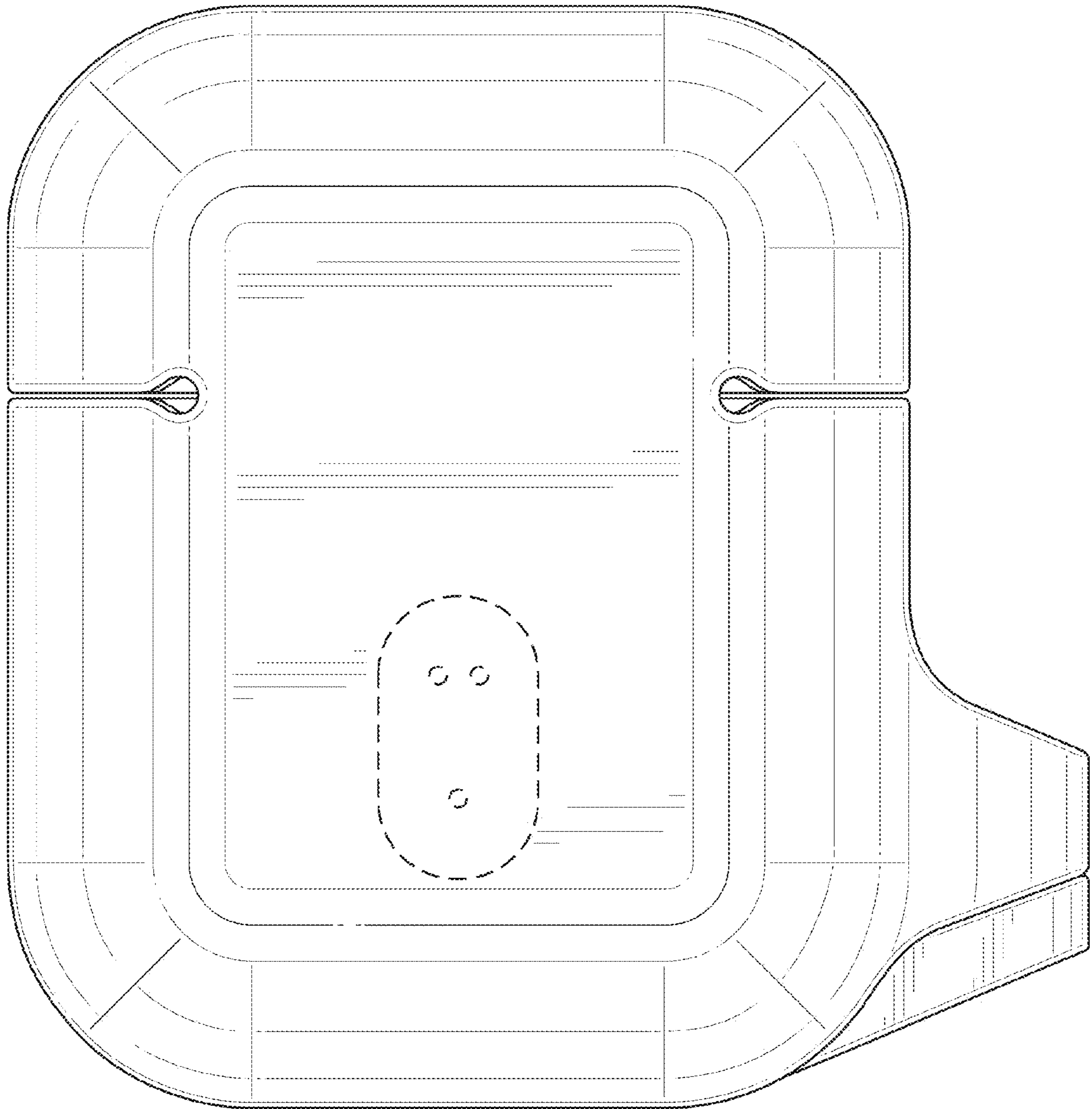


FIG. 3

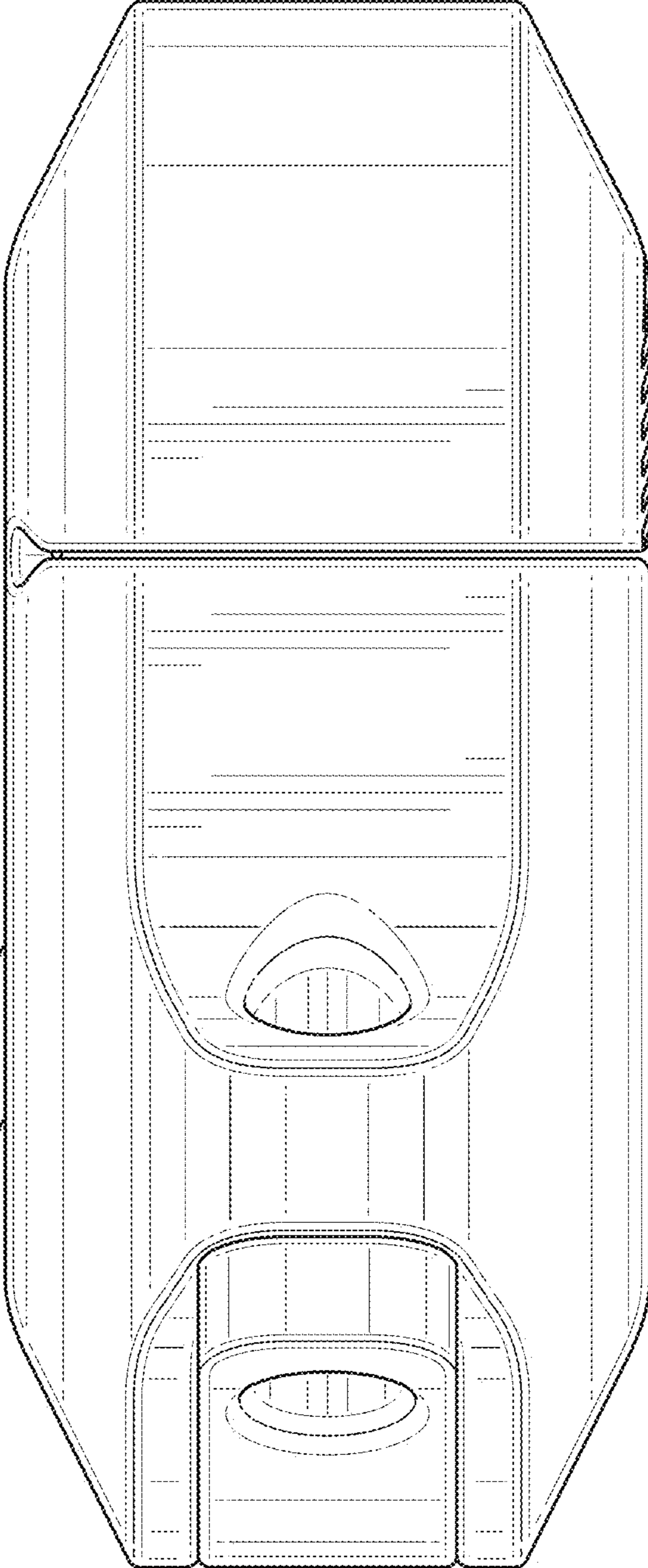


FIG. 4

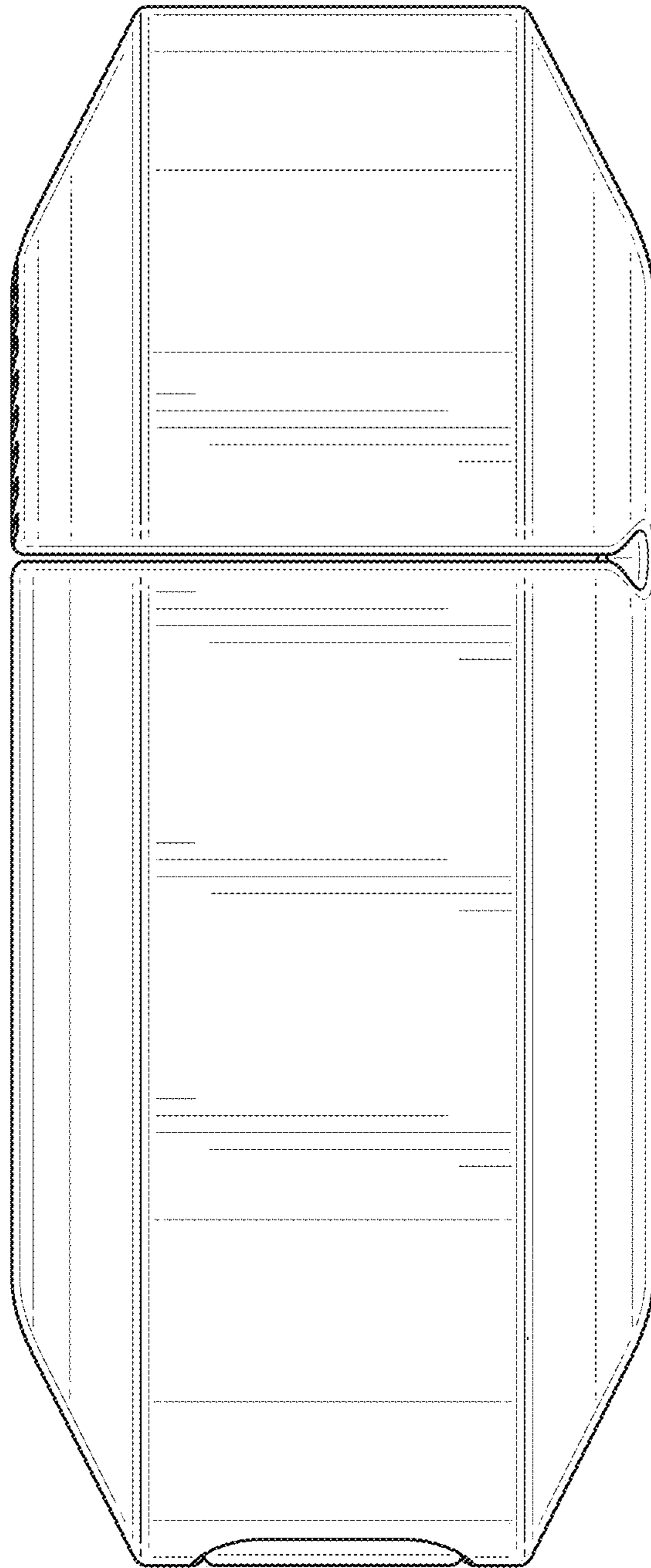


FIG. 5

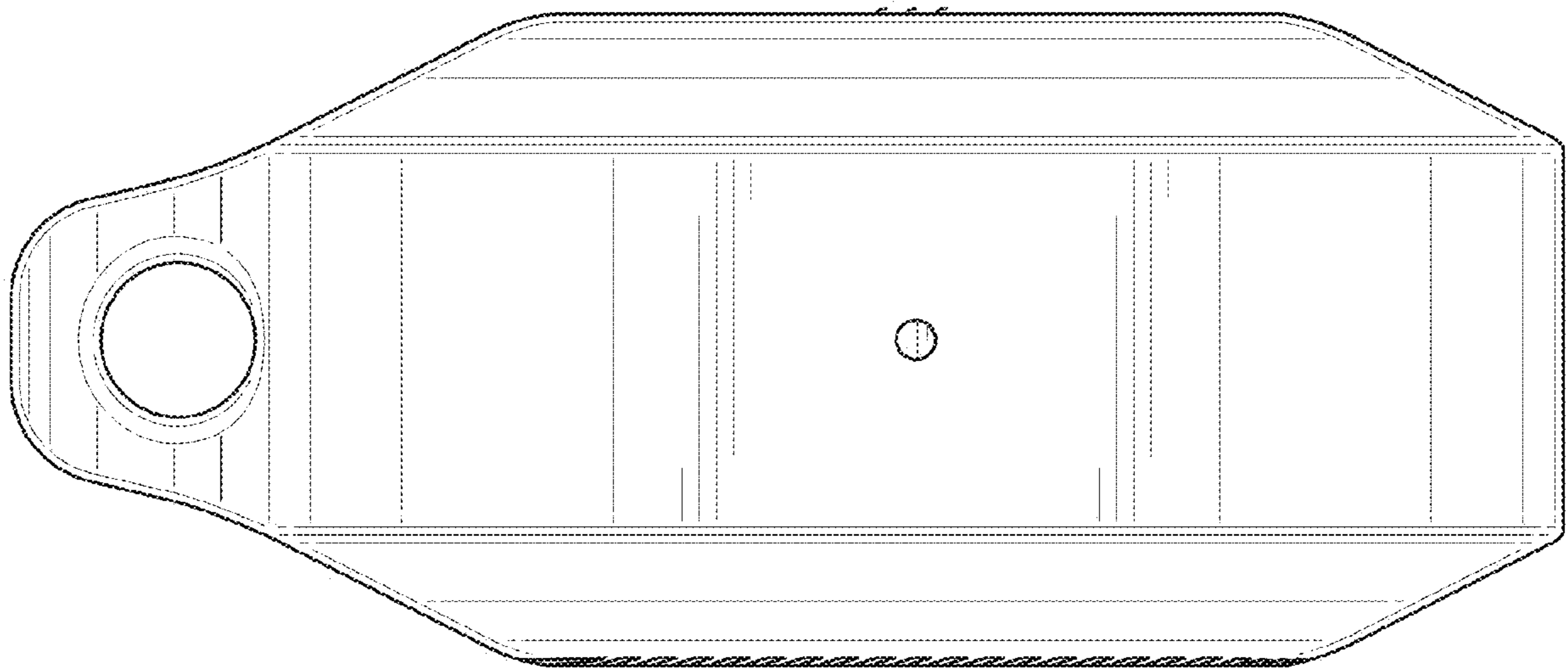


FIG. 6

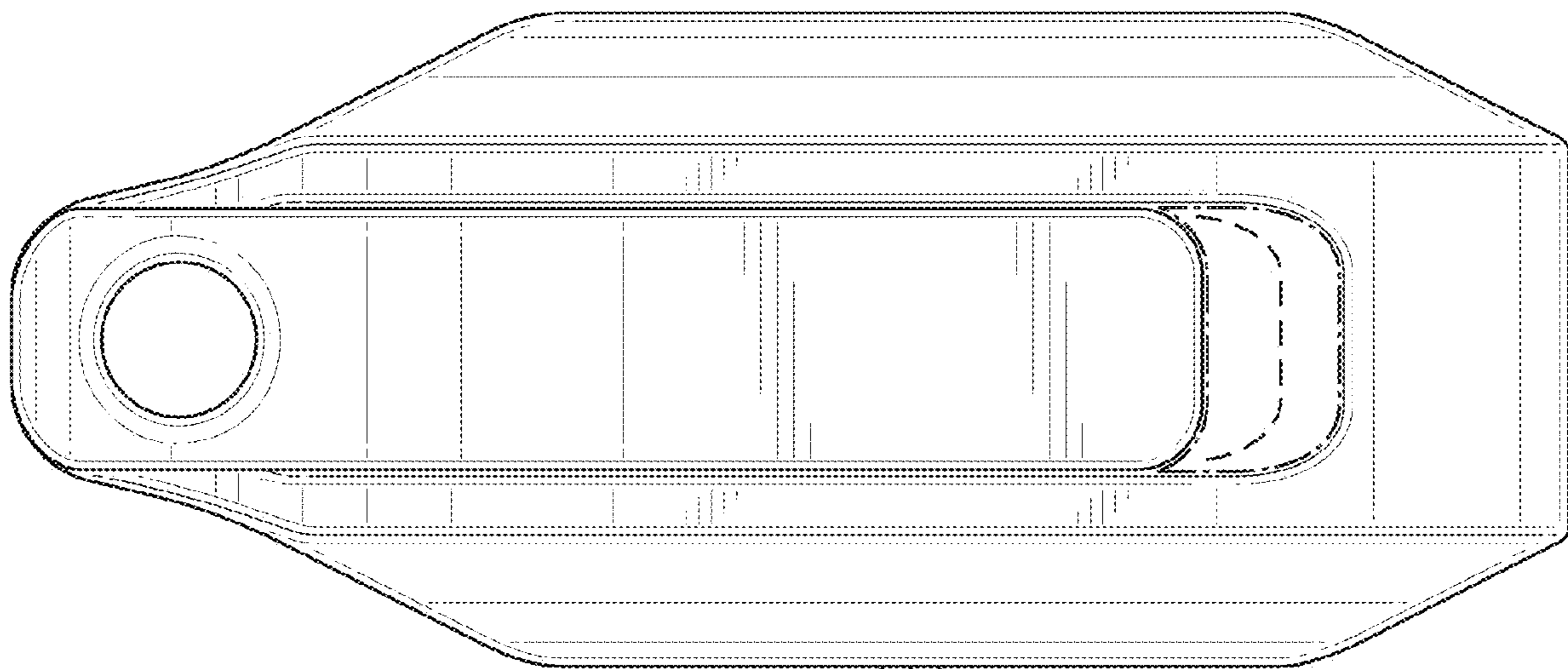


FIG. 7