



US00D933343S

(12) **United States Design Patent**
Young et al.

(10) **Patent No.:** **US D933,343 S**
(45) **Date of Patent:** **** Oct. 19, 2021**

(54) **SHOE**

(71) Applicant: **NIKE, Inc.**, Beaverton, OR (US)

(72) Inventors: **William D. Young**, Beaverton, OR (US); **Jovan Popovic**, Portland, OR (US)

(73) Assignee: **NIKE, Inc.**, Beaverton, OR (US)

(**) Term: **15 Years**

(21) Appl. No.: **29/763,154**

(22) Filed: **Dec. 21, 2020**

(51) **LOC (13) Cl.** **02-04**

(52) **U.S. Cl.**
USPC **D2/947; D2/953**

(58) **Field of Classification Search**
USPC D2/902, 906, 908, 916, 918, 925, D2/946-962, 977; 36/1, 1.5, 3 B, 22 R, 36/24.5, 25 R, 28, 32 R, 34 R, 59 C, 36/67 A, 101-107, 114-116, 117.3, 117.4, 36/124-136
CPC A43B 13/00; A43B 13/02; A43B 13/023; A43B 13/026; A43B 13/04; A43B 13/08; A43B 13/10; A43B 13/12; A43B 13/14; A43B 13/141; A43B 13/143; A43B 13/16; A43B 13/18; A43B 13/181; A43B 13/187; A43B 13/189; A43B 13/20; A43B 13/22; A43B 13/223; A43B 13/24; A43B 13/28; A43B 13/30; A43B 13/32; A43B 13/34; A43B 13/36

See application file for complete search history.

(56) **References Cited**

U.S. PATENT DOCUMENTS

D297,585 S 9/1988 Brown et al.
D325,290 S * 4/1992 Hatfield D2/973
D367,354 S * 2/1996 Brooks D2/912
D375,190 S 11/1996 Lucas

(Continued)

OTHER PUBLICATIONS

NikeCourt Air Zoom GP Turbo, Nike.com, [online], [site visited Jun. 9, 2021], <URL: https://www.nike.com/t/nikecourt-air-zoom-gp-turbo-mens-hard-court-tennis-shoe-1hgx7C/CK7513-324> (Year: 2021).*

(Continued)

Primary Examiner — T Chase Nelson

Assistant Examiner — Jonathan J Han

(74) *Attorney, Agent, or Firm* — Banner & Witcoff, Ltd.

(57) **CLAIM**

The ornamental design for a shoe, as shown and described.

DESCRIPTION

FIG. 1 is a front perspective view of a shoe showing our new design;

FIG. 2 is a side view thereof;

FIG. 3 is a rear perspective view thereof;

FIG. 4 is a front perspective view showing an alternative embodiment of my new design;

FIG. 5 is a side perspective view thereof;

FIG. 6 is a rear perspective view thereof;

FIG. 7 is a front perspective view showing a second alternative embodiment of my new design;

FIG. 8 is a side view thereof;

FIG. 9 is a rear perspective view thereof;

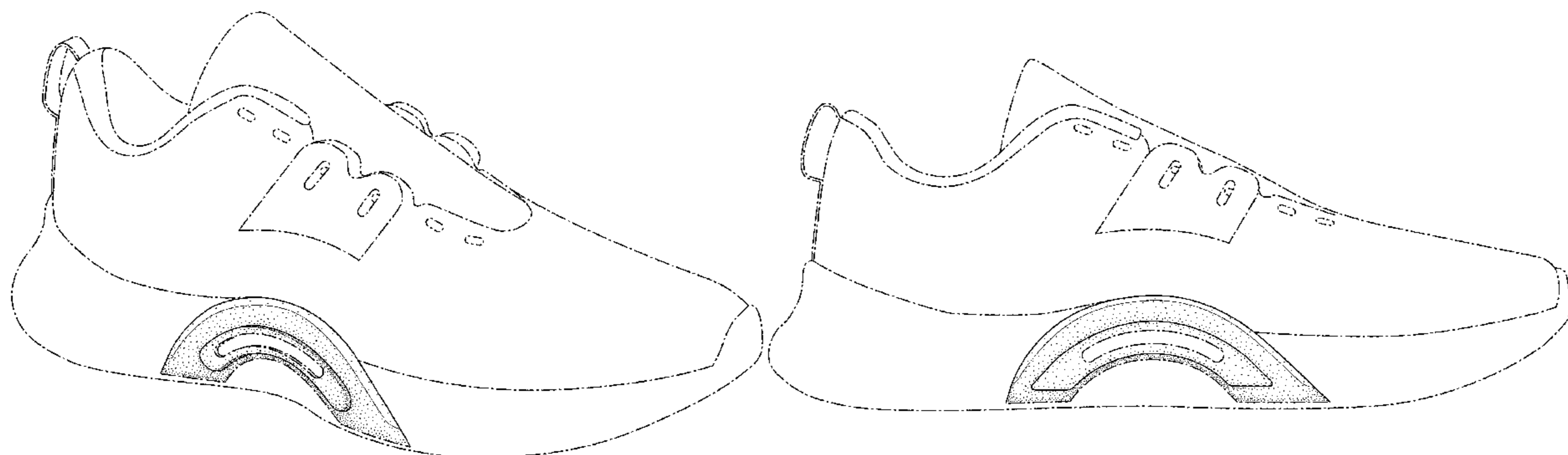
FIG. 10 is a front perspective view showing a third alternative embodiment of my new design;

FIG. 11 is a side view thereof; and,

FIG. 12 is a rear perspective view thereof.

The broken lines immediately adjacent to the bottom of the shaded area define the bounds of the claimed design and form no part thereof. The broken line arch-shaped elements within the shaded area form no part of the claimed design. The broken lines depicting the remainder of the shoe form no part of the claimed design.

1 Claim, 12 Drawing Sheets



(56)

References Cited

U.S. PATENT DOCUMENTS

D383,290	S	*	9/1997	Lozano	D2/972
D385,099	S	*	10/1997	Avar	D2/972
D441,522	S	*	5/2001	Matis	D2/970
D450,916	S		11/2001	Turner et al.		
D513,844	S	*	1/2006	Robinson, Jr.	D2/906
D522,229	S		6/2006	Kubo et al.		
D530,073	S	*	10/2006	Roulo	D2/972
D541,514	S	*	5/2007	Lane, III	D2/969
D570,079	S		6/2008	Truelsen		
D609,439	S	*	2/2010	Walton	D2/951
D611,239	S	*	3/2010	Brambilla	D2/969
D613,041	S	*	4/2010	Thompson	D2/902
D629,594	S		12/2010	Mann		
D633,697	S		3/2011	Mann		
D655,483	S	*	3/2012	Portzline	D2/902
D674,996	S	*	1/2013	Sallee	D2/946
D773,159	S	*	12/2016	Seamarks	D2/947
D788,441	S		6/2017	Taylor		
D802,285	S		11/2017	McCullagh		
D805,743	S		12/2017	Feeney et al.		
D819,310	S		6/2018	Lashmore		
D821,073	S		6/2018	Matthews		
D821,713	S		7/2018	Matthews		
D841,304	S		2/2019	DeAlmeida		
D844,956	S		4/2019	Yun		
D844,965	S	*	4/2019	Lashmore	D2/972
D853,690	S	*	7/2019	Taylor	D2/908
D856,647	S		8/2019	Schultze		
D858,053	S		9/2019	Schultze		
D864,548	S	*	10/2019	Matthews	D2/972
D866,135	S		11/2019	Durflinger		
D866,136	S		11/2019	Kanata		
D866,137	S		11/2019	Kanata		
D866,138	S		11/2019	Kanata		
D866,157	S	*	11/2019	Behr	D2/972
D876,077	S	*	2/2020	Cruz	D2/972
D876,764	S	*	3/2020	Petrenka	D2/947
D876,767	S		3/2020	Petrenka		
D876,776	S		3/2020	Matthews		
D879,426	S		3/2020	Raasch		
D888,385	S		6/2020	Pauk		
D891,743	S		8/2020	Seamarks		
D893,157	S	*	8/2020	Amago	D2/972
D894,550	S	*	9/2020	Hatfield	D2/947
D895,242	S		9/2020	Schultze		
D895,945	S		9/2020	Hong et al.		
D896,486	S		9/2020	Hong et al.		
D905,951	S	*	12/2020	Winfield	D2/972
D905,952	S	*	12/2020	Winfield	D2/972
D909,030	S	*	2/2021	Kosenick	D2/947
D909,031	S	*	2/2021	Kosenick	D2/947
D911,012	S	*	2/2021	Durflinger	D2/972
D912,961	S	*	3/2021	Huang	D2/958
D914,338	S	*	3/2021	Holmes	D2/947
D917,148	S	*	4/2021	Witherow	D2/972
D917,845	S	*	5/2021	Huang	D2/947

OTHER PUBLICATIONS

Nike ZoomX SuperRep Surge, Nike.com, [online], [site visited Jun. 9, 2021], <URL: <https://www.nike.com/t/zoomx-superrep-surge-mens-endurance-class-shoe-BnQHKQ/CU7627-037>> (Year: 2021).*

Nike SpeedRep, Nike.com, [online], [site visited Jun. 9, 2021], <URL: <https://www.nike.com/t/speedrep-mens-training-shoe-k4JGjh/CU3579-101>> (Year: 2021).*

Nike Footwear Catalog, 1995 Spring Footwear, p. 23, published Jun. 1994, Nike, Inc., USA.

Nike Footwear Catalog, 1997 Spring Footwear, p. 106, published Mar. 1997, Nike, Inc., USA.

Nike Footwear Catalog, 2017 Spring Strategic Sporting Goods Footwear Best NA, p. 110, published May 2016, Nike, Inc., USA.

“Nike Renew Retaliation TR 2”; Nike ; retrieved Dec. 21, 2020; disclosure date unknown but prior to the filing date of the present application; URL: <<https://www.nike.com/t/renew-retaliation-tr-2-mens-training-shoe-r9T4fV/CK5074-001>>.

“Official Images of the Nike Joyride NSW Setter “Hyper Pink””; Sneaker News; retrieved Dec. 15, 2020; published Aug. 9, 2019; URL: <<https://sneakernews.com/2019/08/09/nike-joyride-nsw-setter-hyper-pink-at6395-600/>>.

“Nike Renew Run”; Nike ; retrieved Dec. 21, 2020; disclosure date unknown but prior to the filing date of the present application; URL: <<https://www.nike.com/t/renew-run-womens-running-shoe-9CrB26/CK6360-001>>.

“Nike Joyride Run Flyknit”; Pro Direct Basketball; retrieved Dec. 15, 2020; disclosure date unknown but prior to the filing date of the present application; URL: <<https://www.prodirectbasketball.com/products/Nike-Joyride-Run-Black-Black-White-Mens-Shoes-205626.aspx>>.

“Nike Introduces New Joyride Cushioning, A Bean Bag for Your Feet”; Sneaker News; retrieved Dec. 15, 2020; published Jul. 25, 2019; URL: <<https://sneakernews.com/2019/07/25/nike-joyride-release-info/>>.

“Nike SuperRep Go Review | Good for Class Workouts?”; Bar Bend; retrieved Dec. 15, 2020; published Jul. 2, 2020; URL: <<https://barbend.com/nike-superrep-go-review/>>.

“Nike Renew Elevate”; Nike ; retrieved Dec. 21, 2020; disclosure date unknown but prior to the filing date of the present application; URL: <<https://www.nike.com/t/renew-elevate-basketball-shoe-9Ht3N6/CK2669-002>>.

“Nike SuperRep Cycle”; Nike ; retrieved Dec. 21, 2020; disclosure date unknown but prior to the filing date of the present application; URL: <<https://www.nike.com/t/superrep-cycle-womens-indoor-cycling-shoe-tMMfR6/CJ0775-660>>.

“Nike Air Zoom SuperRep”; Nike ; retrieved Dec. 21, 2020; disclosure date unknown but prior to the filing date of the present application; URL: <<https://www.nike.com/t/air-zoom-superrep-womens-hiit-class-shoe-9BGJQ1/BQ7043-086>>.

* cited by examiner

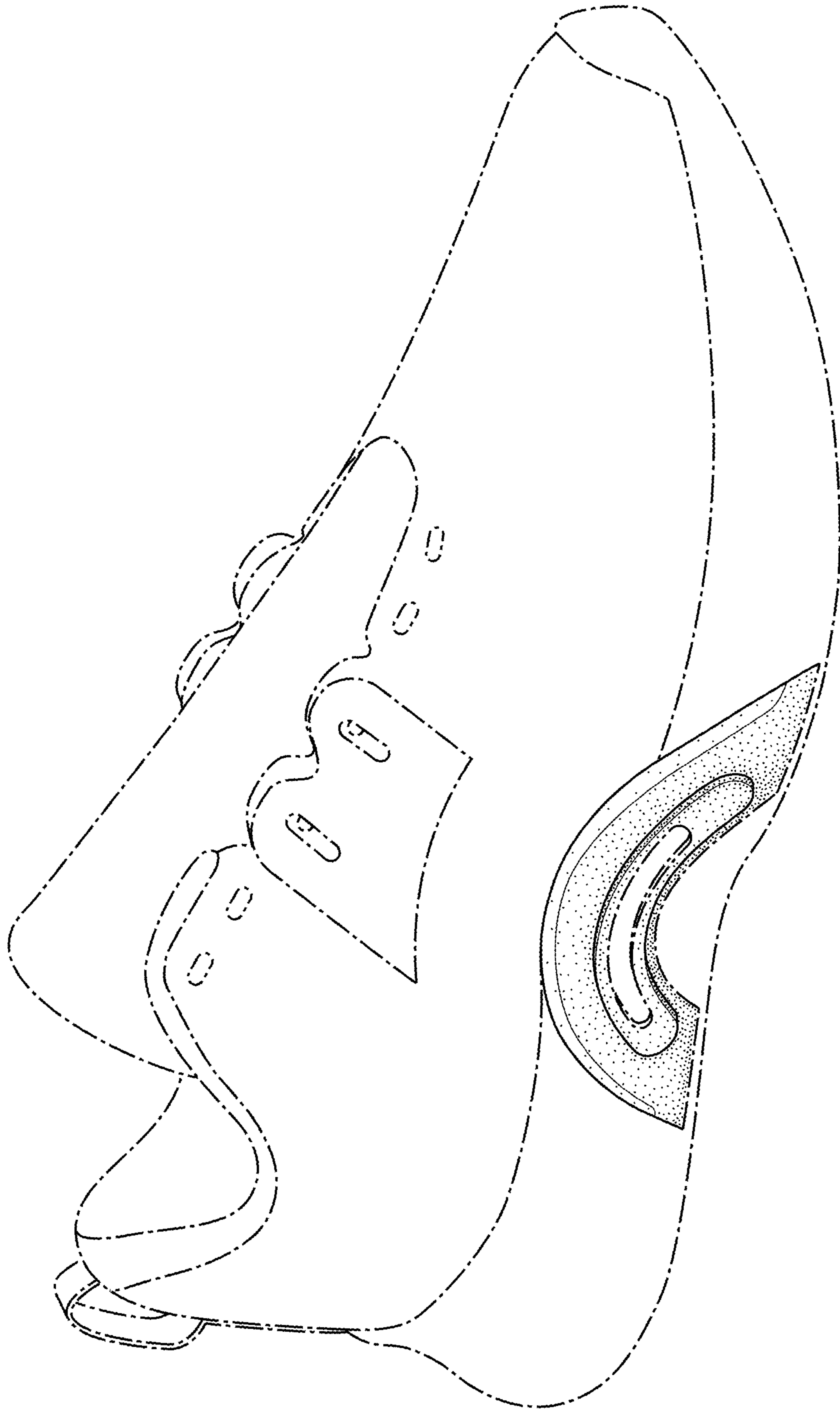


FIG. 1

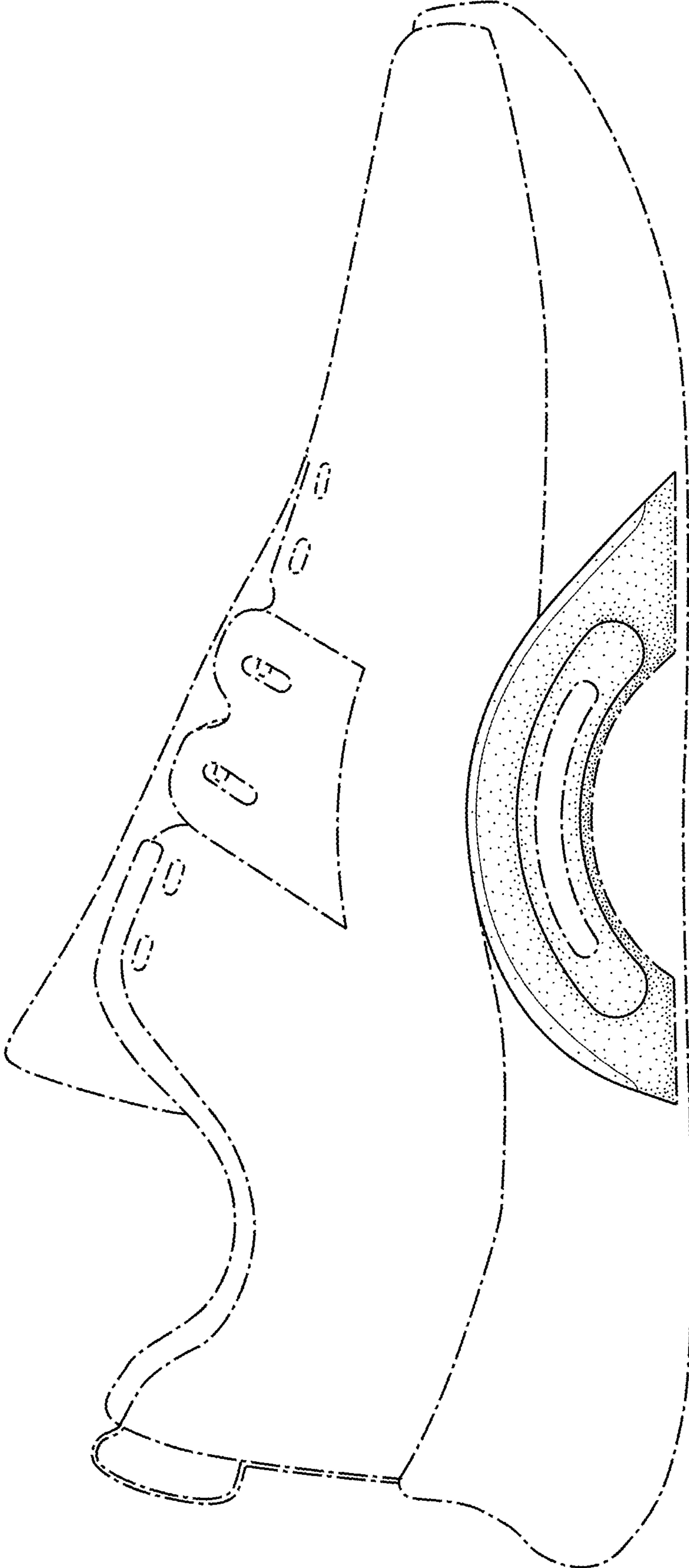


FIG. 2

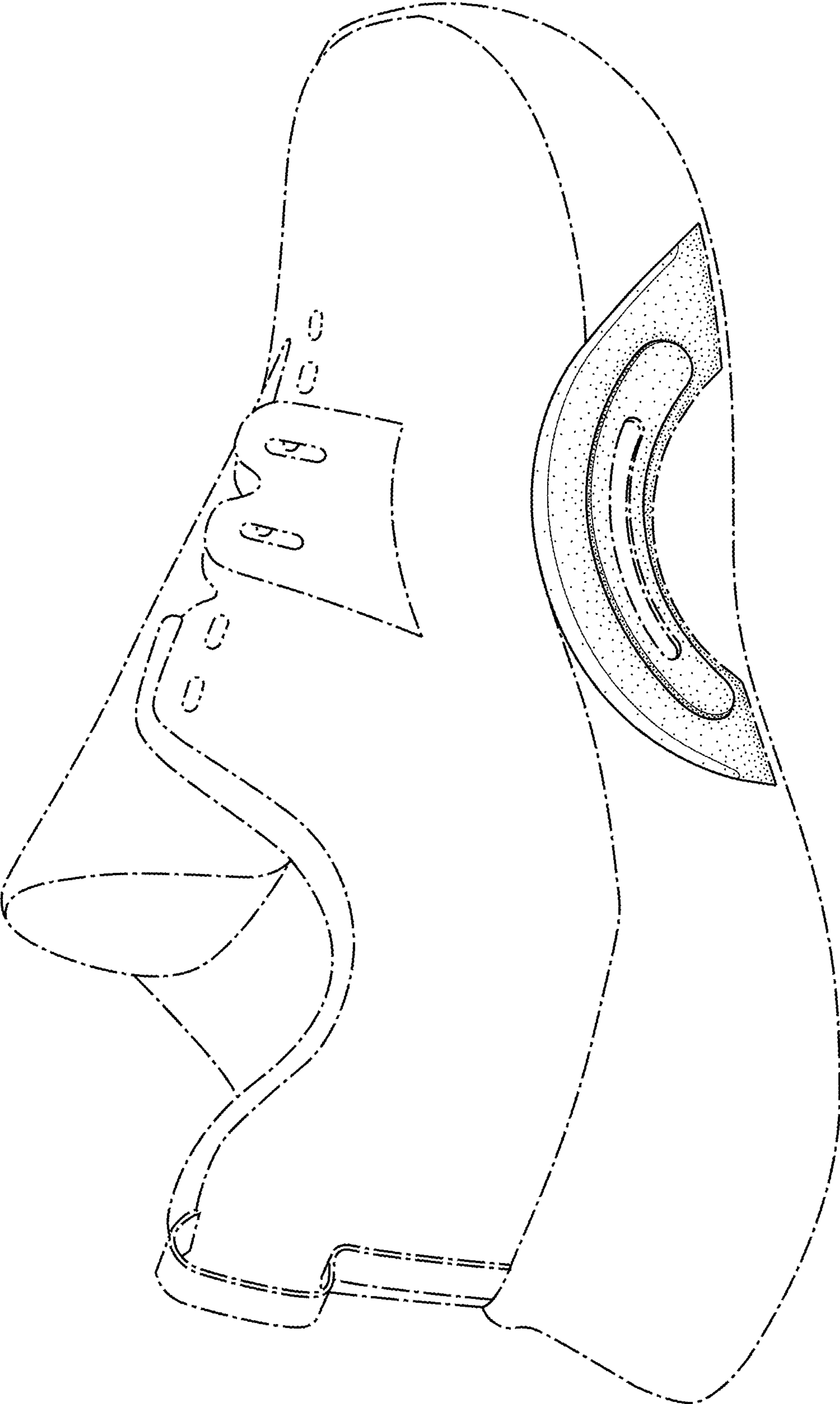


FIG. 3

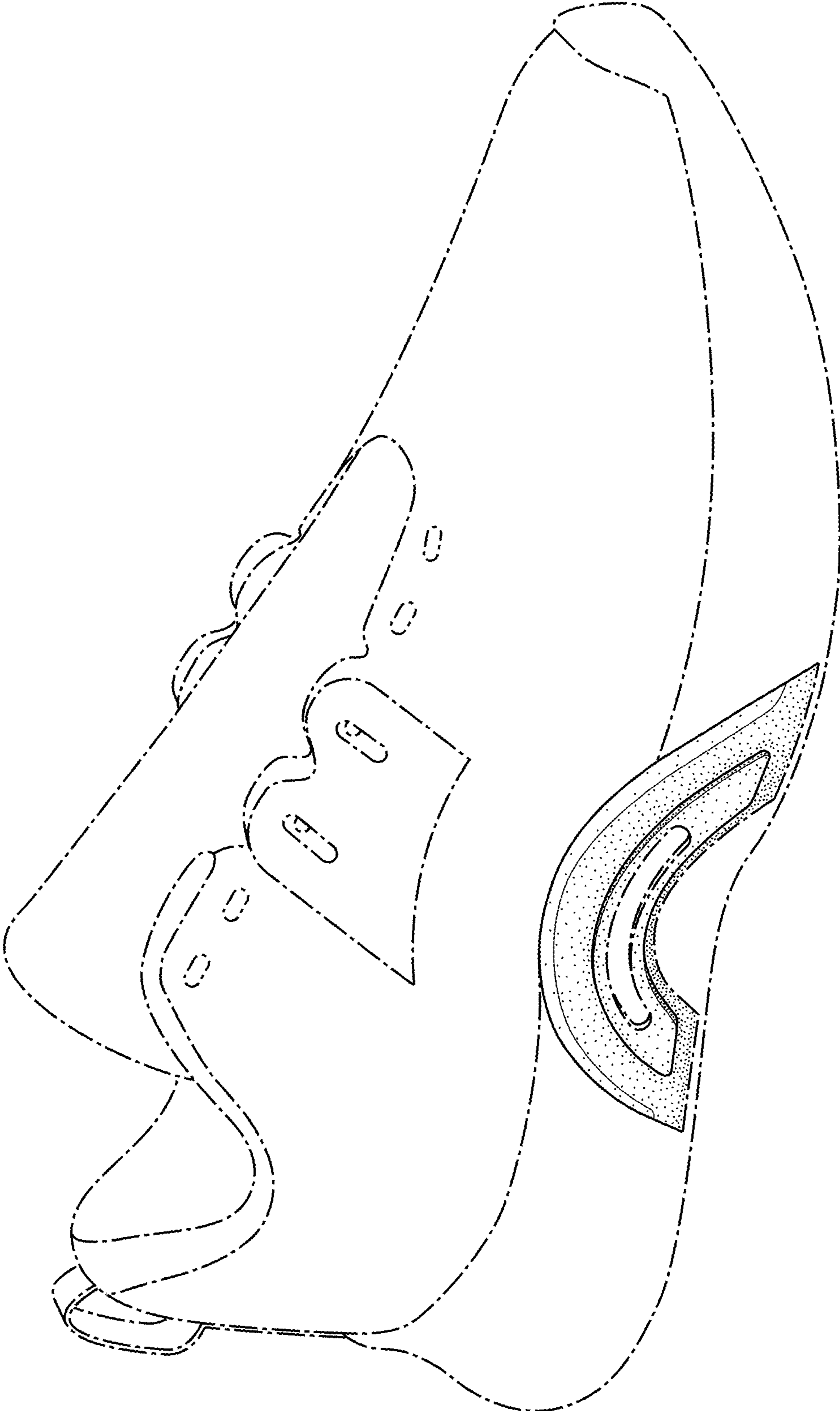


FIG. 4

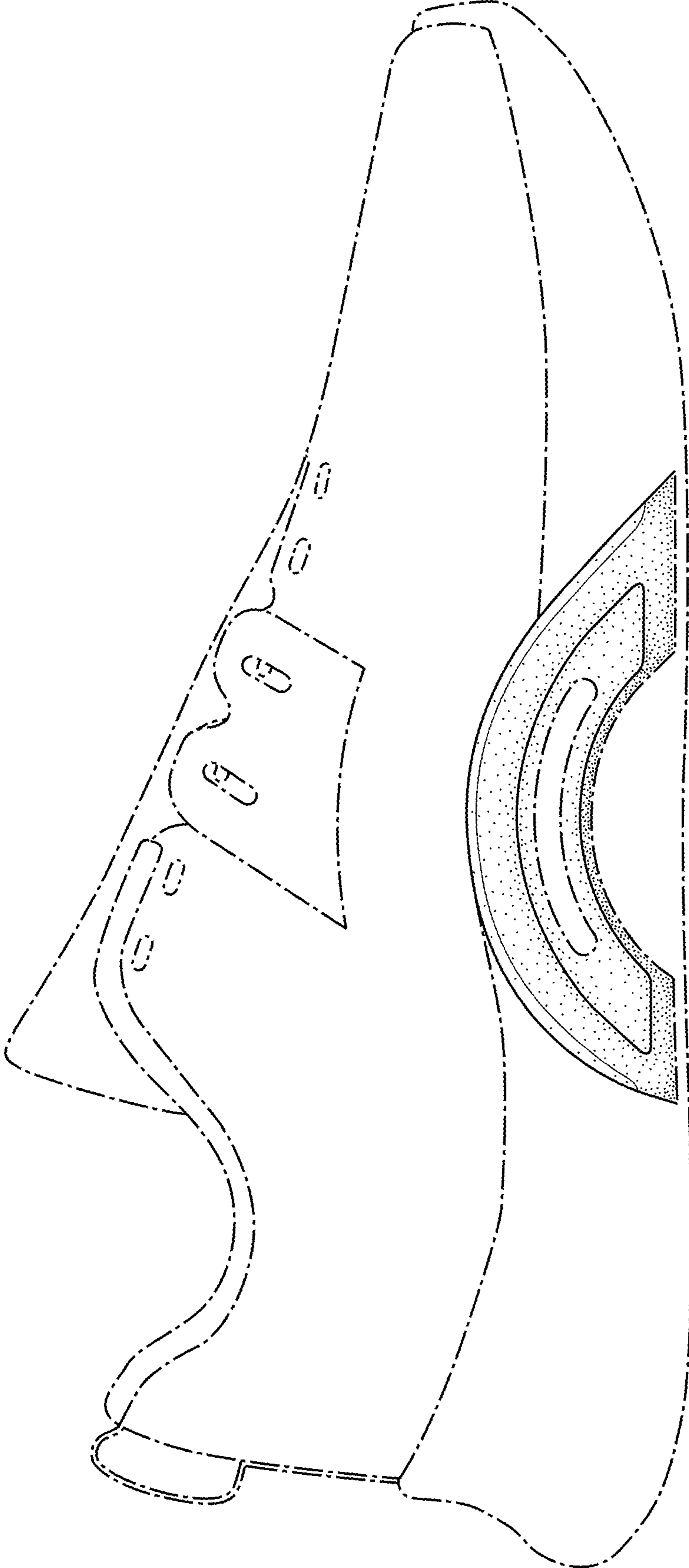


FIG. 5

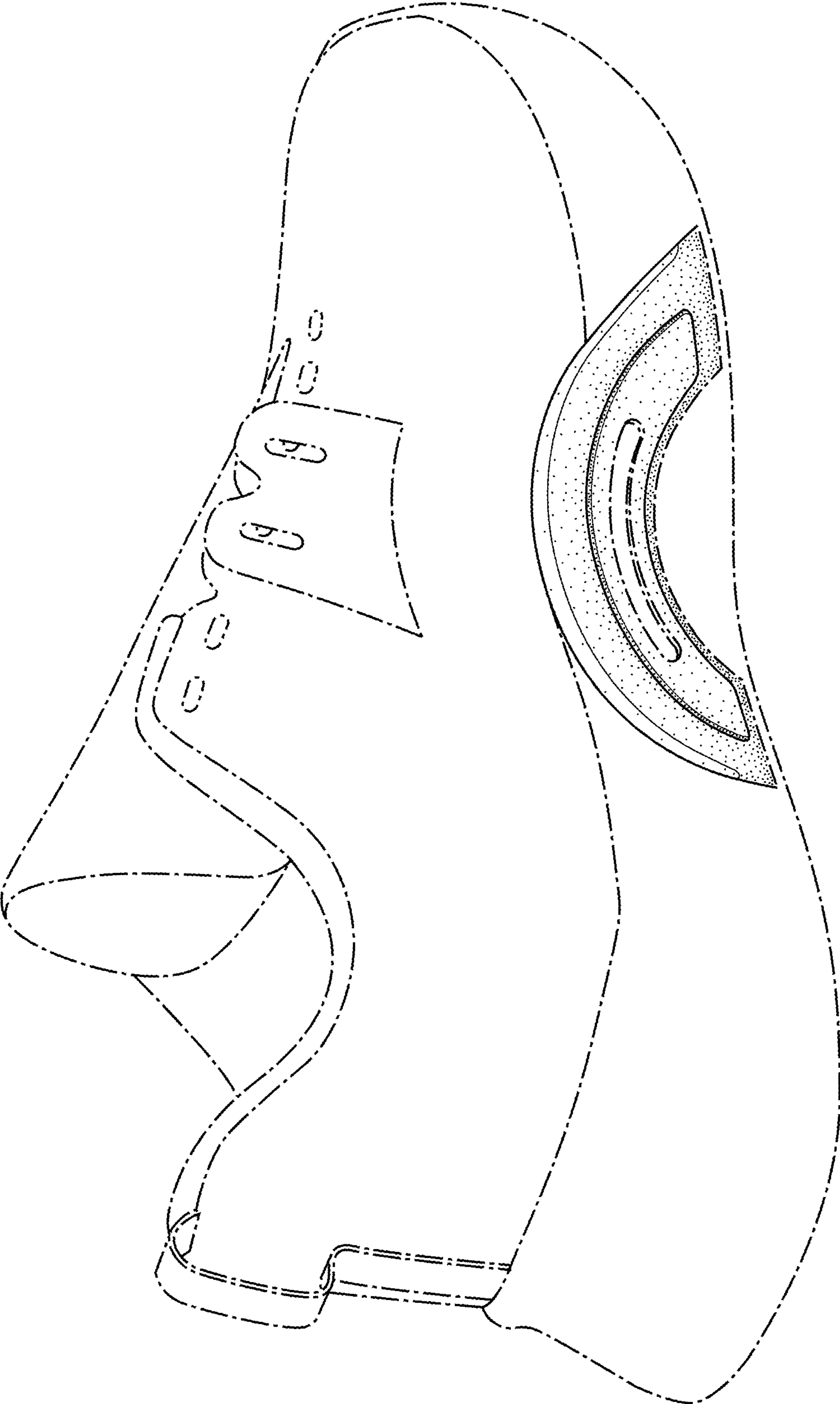


FIG. 6

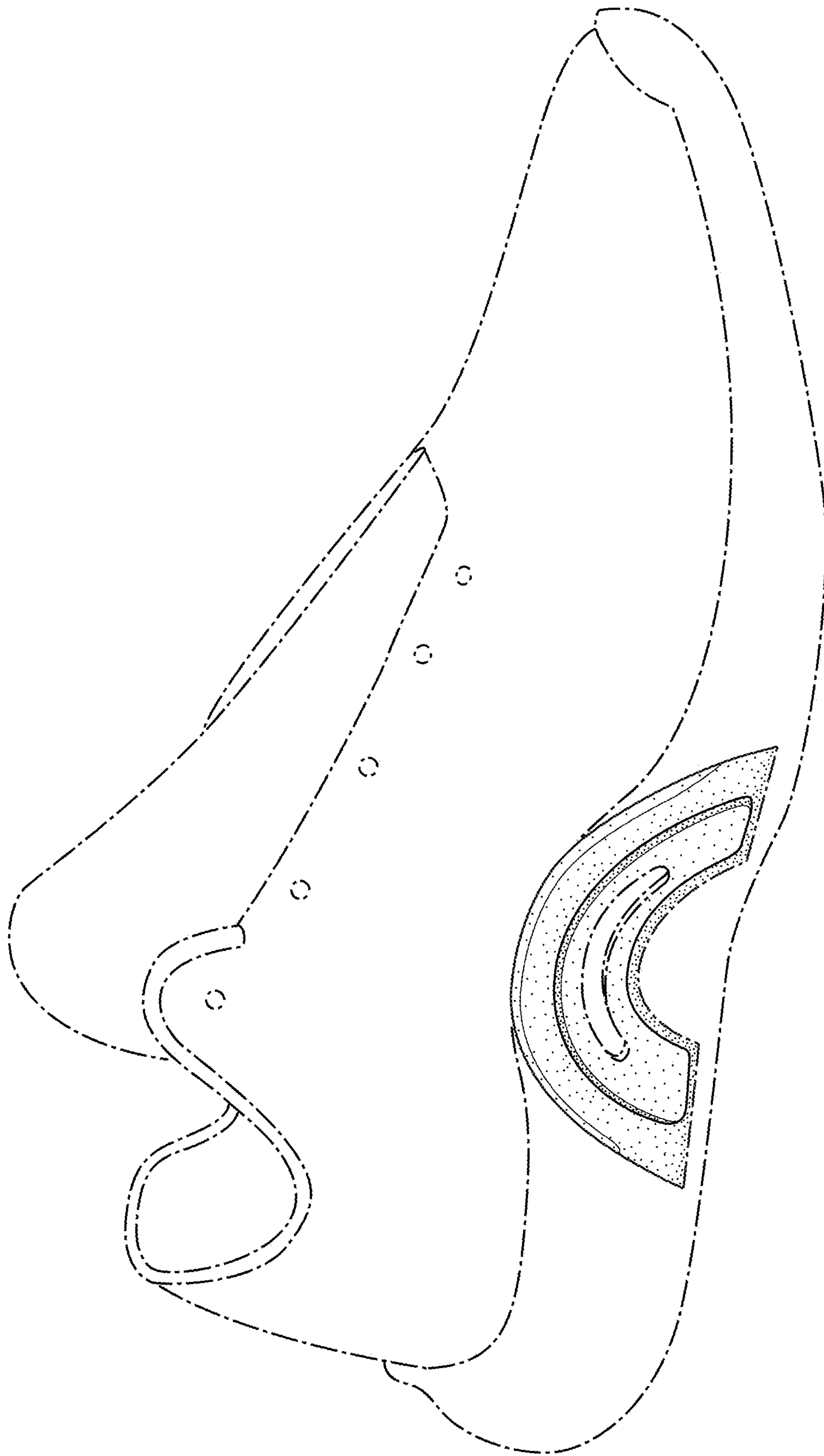


FIG. 7

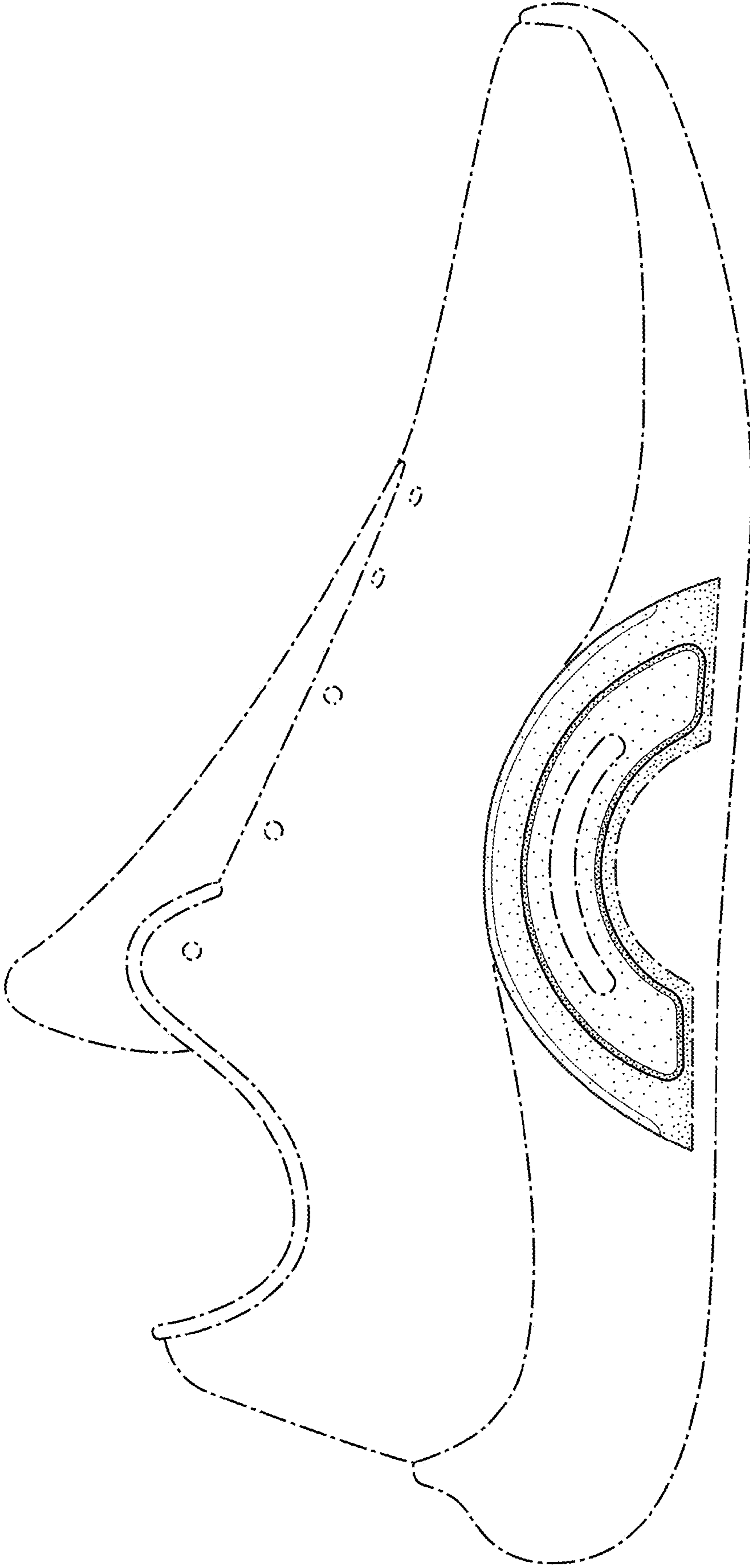


FIG. 8

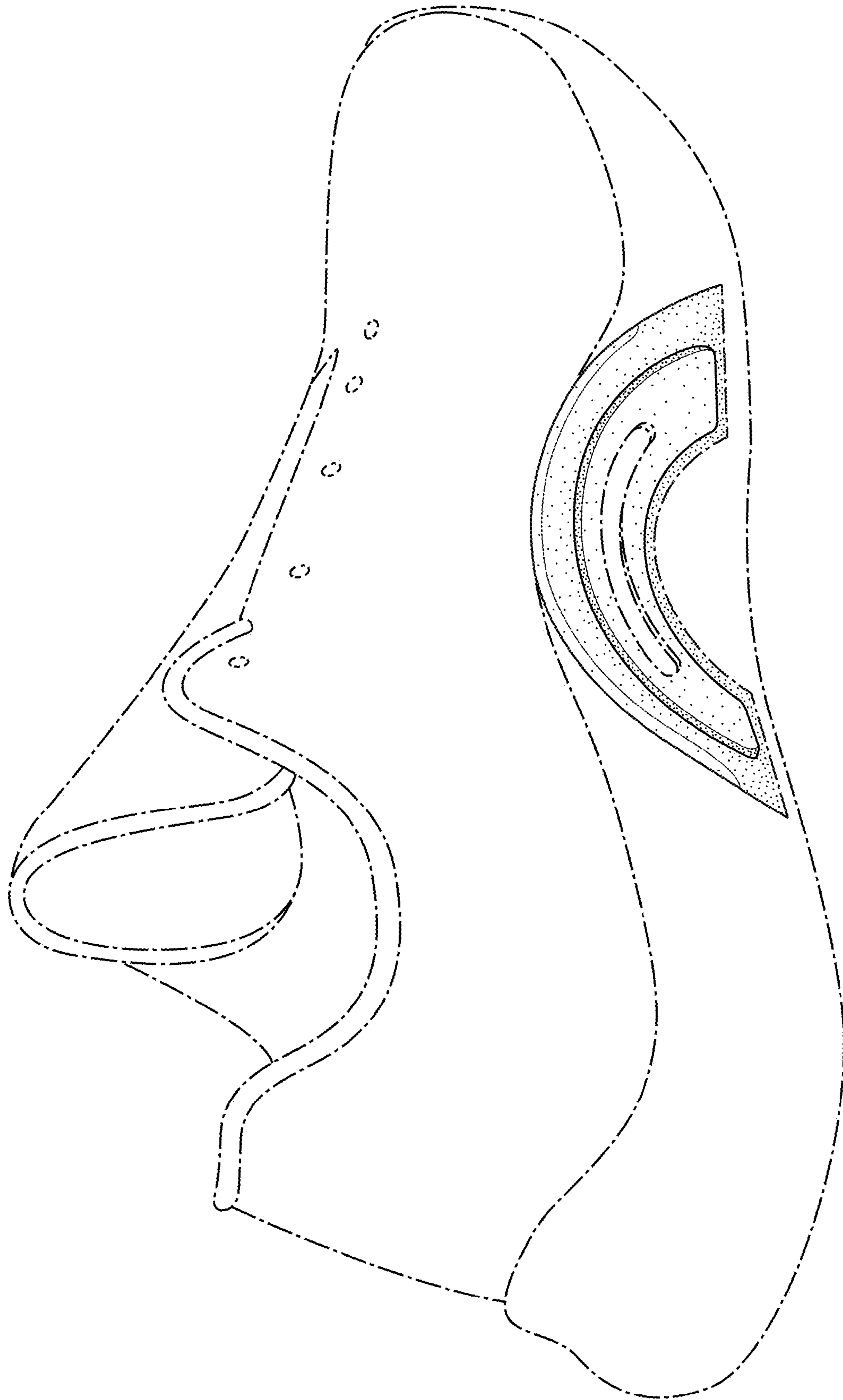


FIG. 9

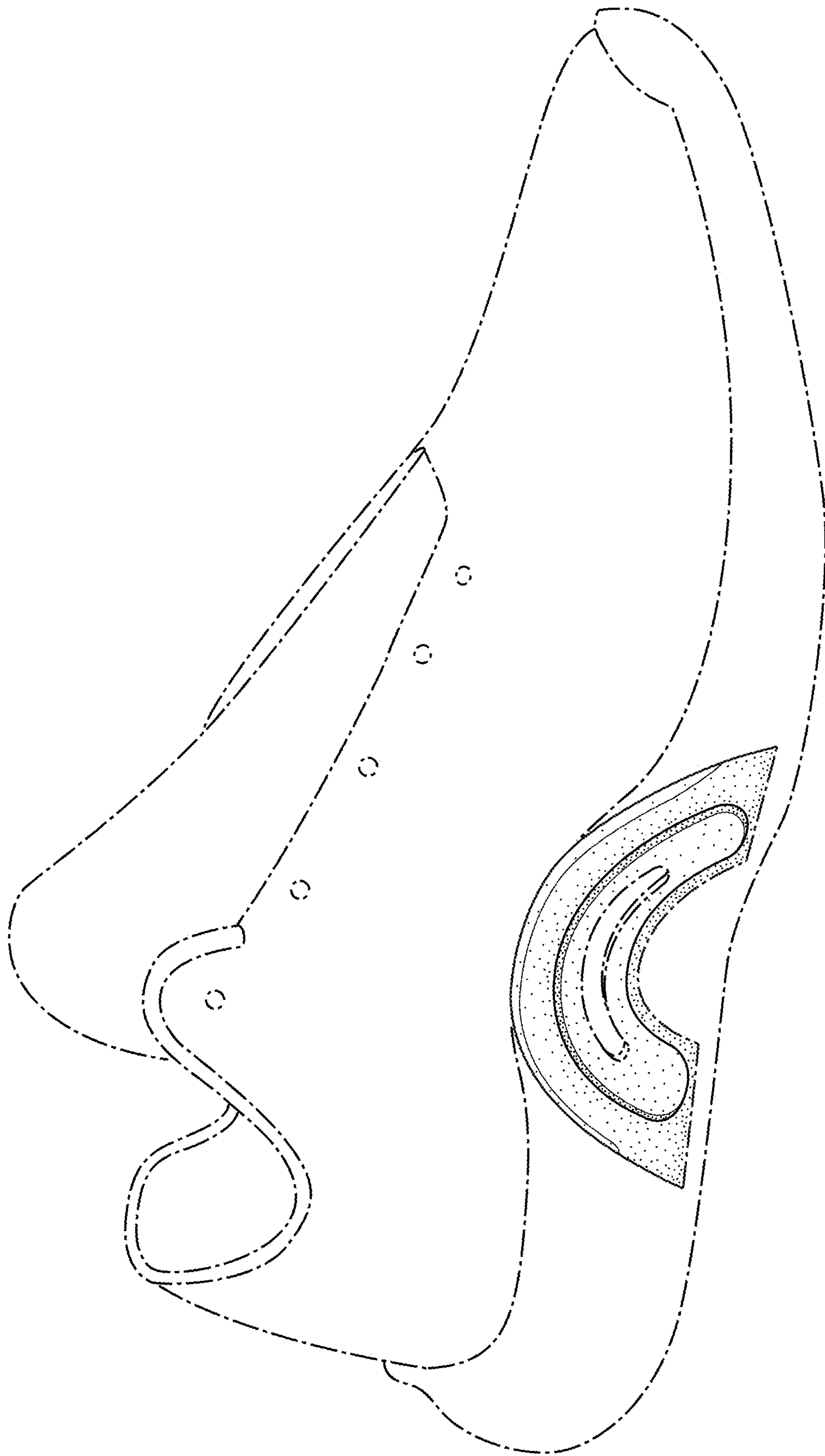


FIG. 10

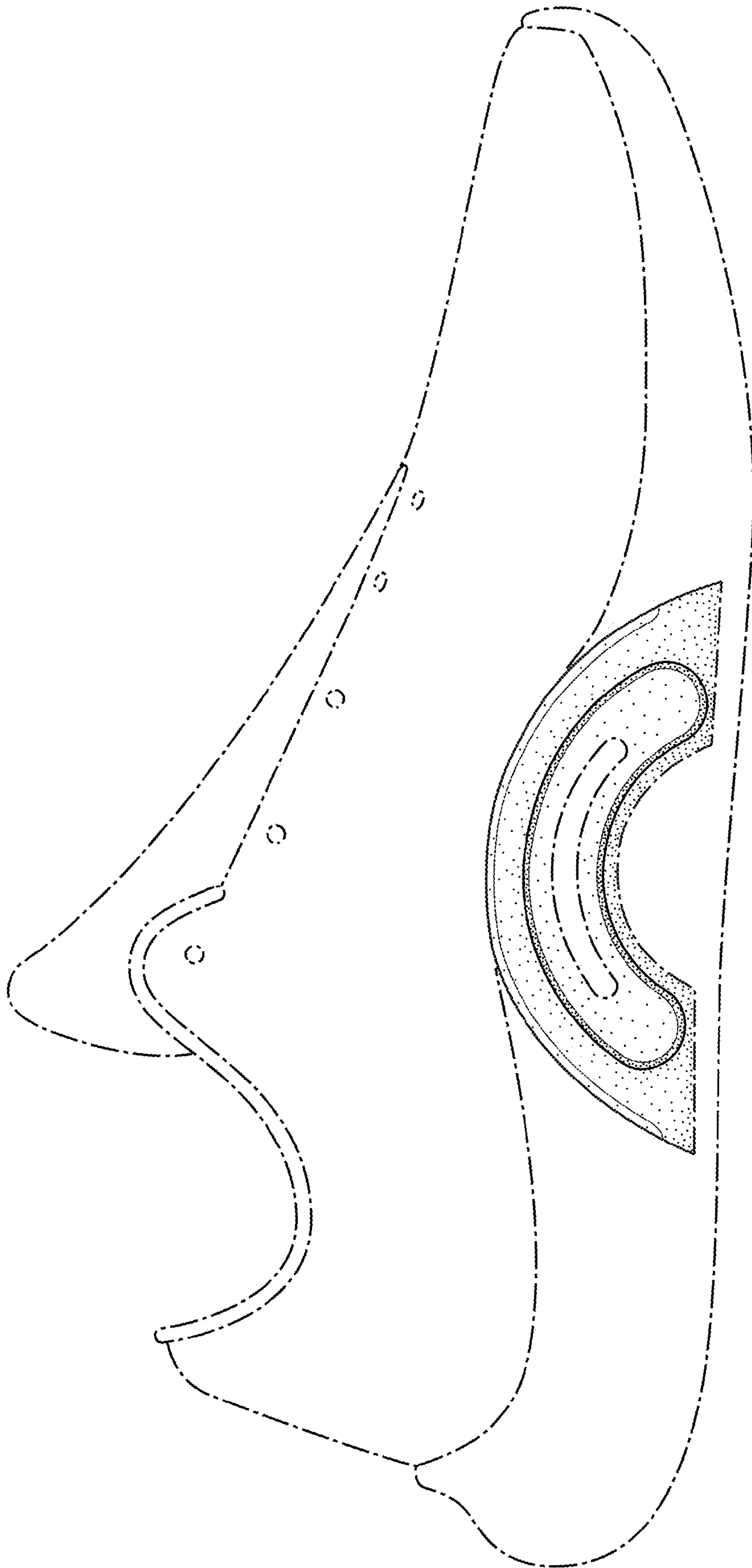


FIG. 11

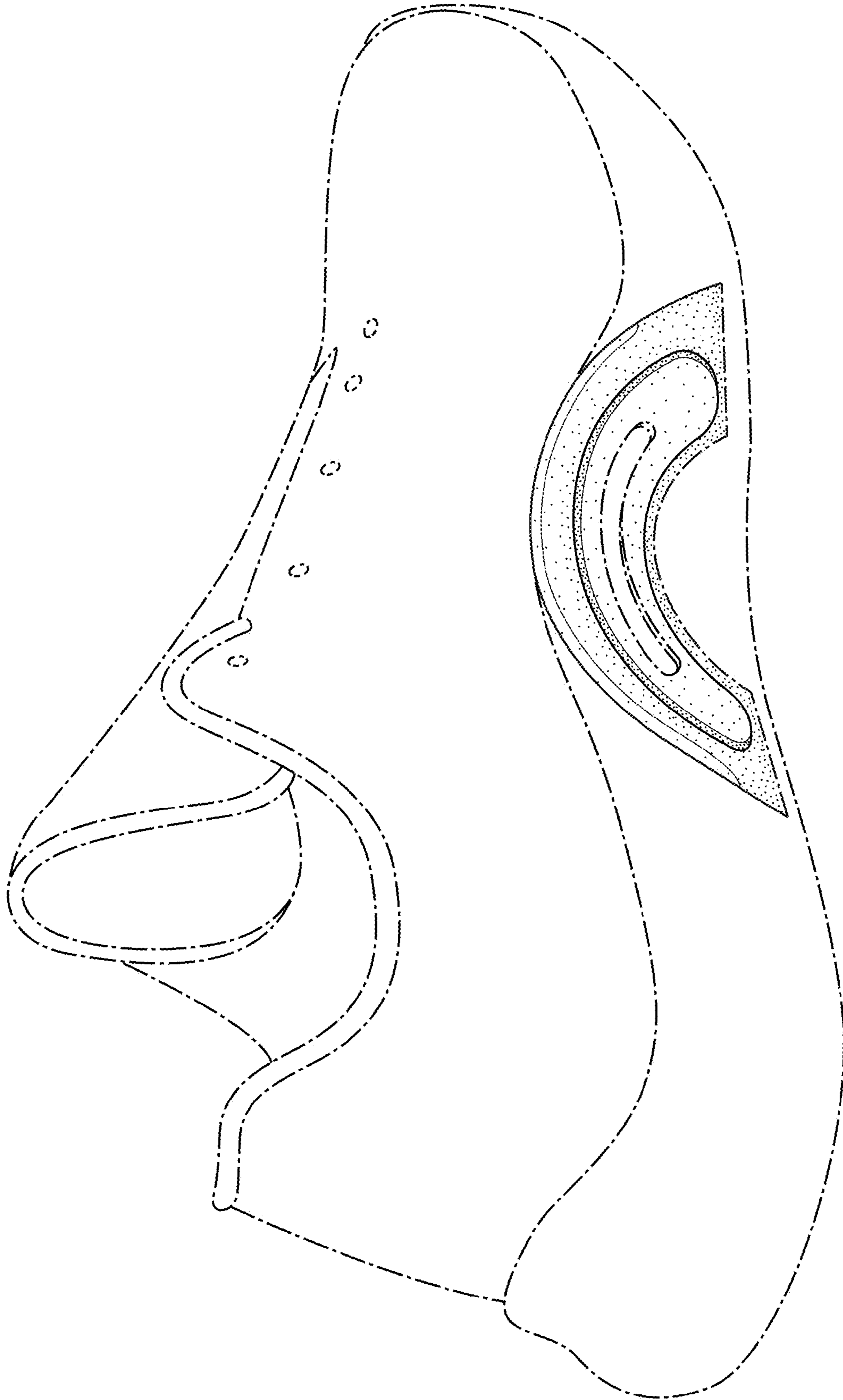


FIG. 12