

US00D933336S

(12) **United States Design Patent** (10) **Patent No.:** **US D933,336 S**  
**Cohen** (45) **Date of Patent:** **\*\* Oct. 19, 2021**

(54) **PERLER HAT**

(71) Applicant: **Michael Anthony Cohen**, San Diego, CA (US)

(72) Inventor: **Michael Anthony Cohen**, San Diego, CA (US)

(\*\*) Term: **15 Years**

(21) Appl. No.: **29/727,247**

(22) Filed: **Mar. 10, 2020**

(51) **LOC (13) Cl.** ..... **02-03**

(52) **U.S. Cl.**  
USPC ..... **D2/866; D2/882**

(58) **Field of Classification Search**  
USPC ..... D2/865, 866, 867, 868, 869, 870, 871, D2/872, 873, 874, 875, 876, 877, 878, D2/879, 880, 881, 882, 883, 884, 885, D2/886, 887, 888, 889, 890, 891, 892, D2/893, 894, 895; D29/102, 103, 122, D29/129  
CPC .. A42B 1/00; A42B 1/004; A42B 1/02; A42B 1/22; A42B 1/248; A42B 3/00; A42B 3/124; A42C 5/00  
See application file for complete search history.

(56) **References Cited**

**U.S. PATENT DOCUMENTS**

D325,941 S *	5/1992	Bertrand	.....	D2/872
D358,474 S *	5/1995	Dunlavey	.....	D2/866
5,680,718 A *	10/1997	Ratcliffe	.....	A42B 1/248
				2/195.1
D393,740 S *	4/1998	Stevens	.....	D2/893
D407,890 S *	4/1999	Frank	.....	D2/884
D437,472 S *	2/2001	Ruscitti	.....	D2/867
D440,743 S *	4/2001	Thornell	.....	D2/882

D441,518 S *	5/2001	Bean	.....	D2/866
D501,705 S *	2/2005	Hathaway	.....	D2/869
7,490,364 B2 *	2/2009	Kim	.....	A42B 1/248
				2/209.13
D719,319 S *	12/2014	Dahlquist	.....	D2/869
D748,379 S *	2/2016	Fitzpatrick	.....	D2/882
D801,642 S *	11/2017	Johnson	.....	D2/866

**OTHER PUBLICATIONS**

Dr. Smith's Son Is "The Perler Bead Kid-Preneur"!, [online article]; [article published to the Internet on Dec. 14, 2017]; [retrieved from the Internet on May 27, 2021]; URL: <https://fourseasonsdentistry.com/2017/12/14/dr-smiths-son-perler-bead-kid-preneur/>. (3 pgs). (Year 2017).\*

Diseños hama beads, [online—Facebook]; [photo published to the Internet on Sep. 8, 2016]; [retrieved from the internet on May 27, 2021]; URL: <https://www.facebook.com/Emagce.hama.beads/photos/a.972433736217921/972433742884587/?type=3>. (1 pg.). (Year: 2016).\*

\* cited by examiner

*Primary Examiner* — Jasmine Mlinarcik

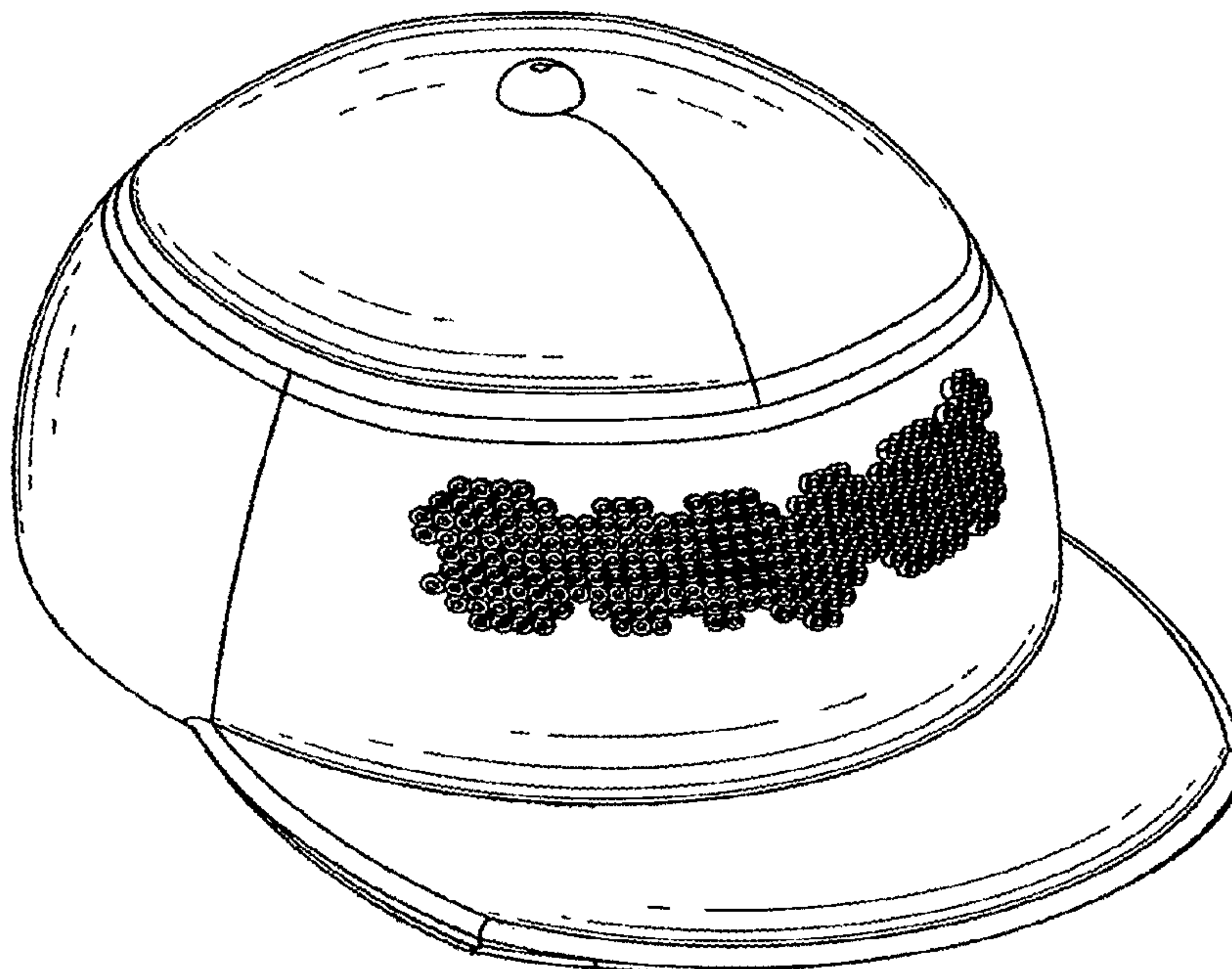
(57) **CLAIM**

The ornamental design for a Perler hat, as shown and described.

**DESCRIPTION**

FIG. 1 is a front perspective view of a Perler hat; FIG. 2 is a front elevation view thereof; FIG. 3 is a rear elevation view thereof; FIG. 4 is a top plan view thereof; FIG. 5 is a bottom plan view thereof; FIG. 6 is a side elevation view thereof; and, FIG. 7 is an opposite side view thereof.

**1 Claim, 7 Drawing Sheets**



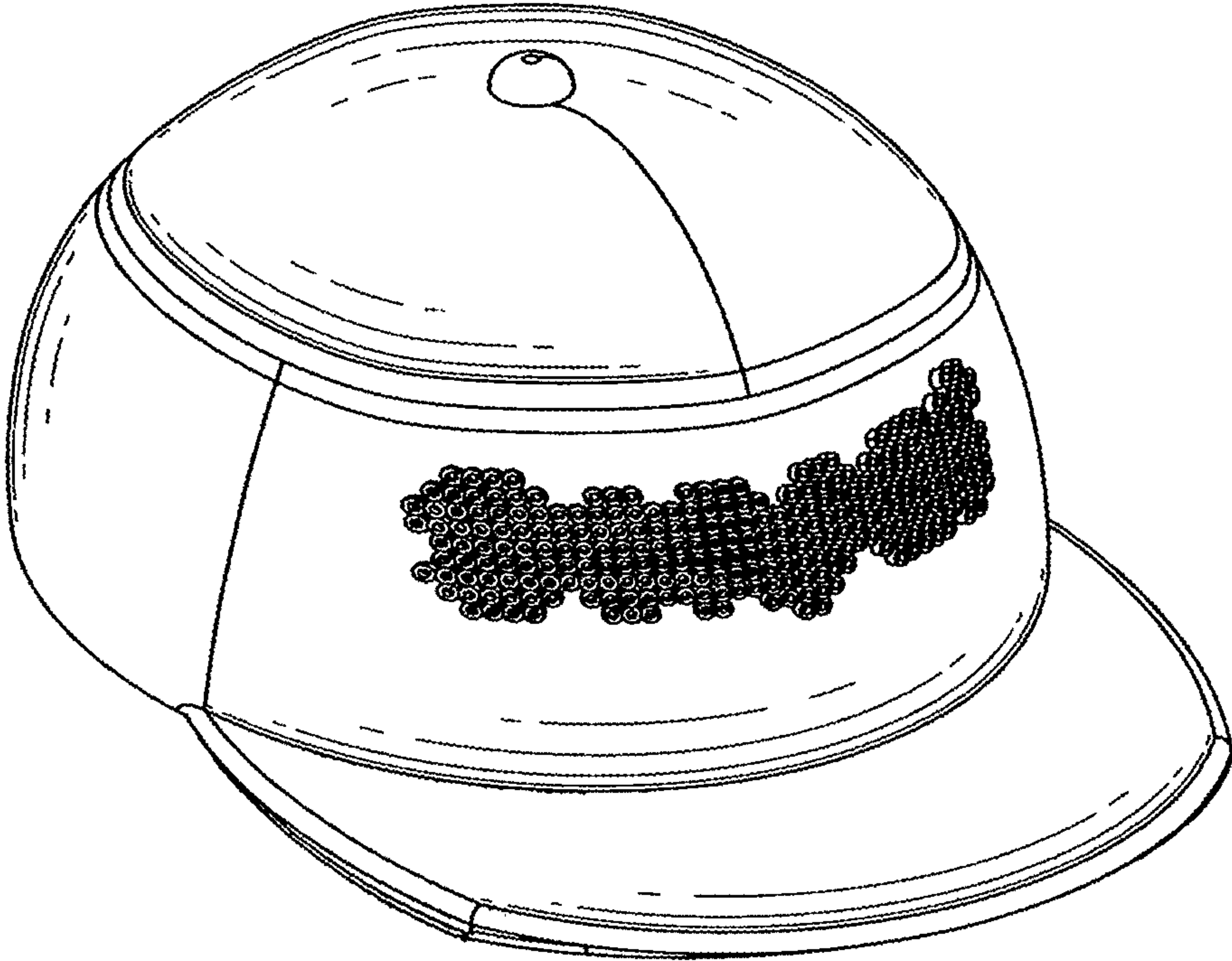


FIG. 1

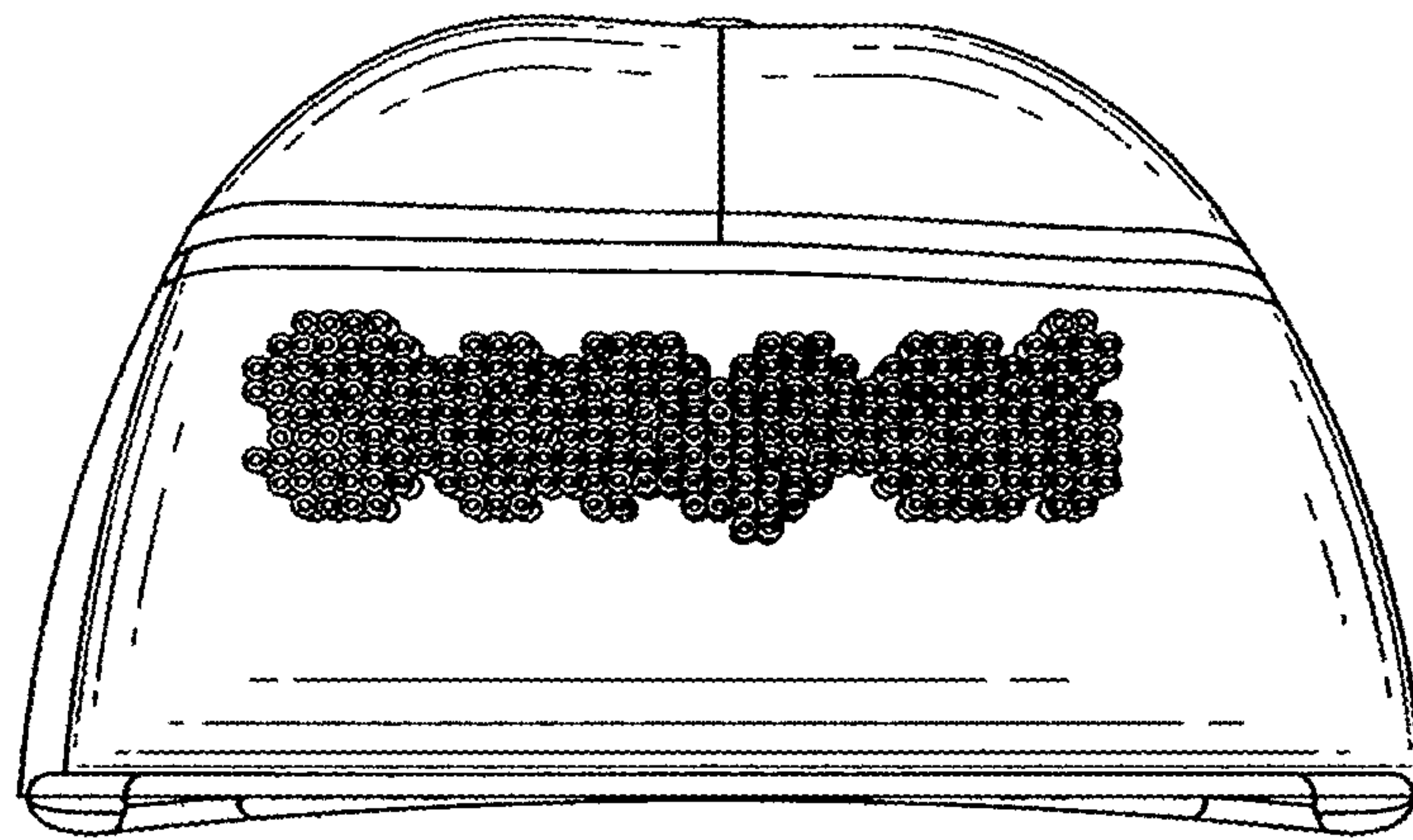


FIG. 2

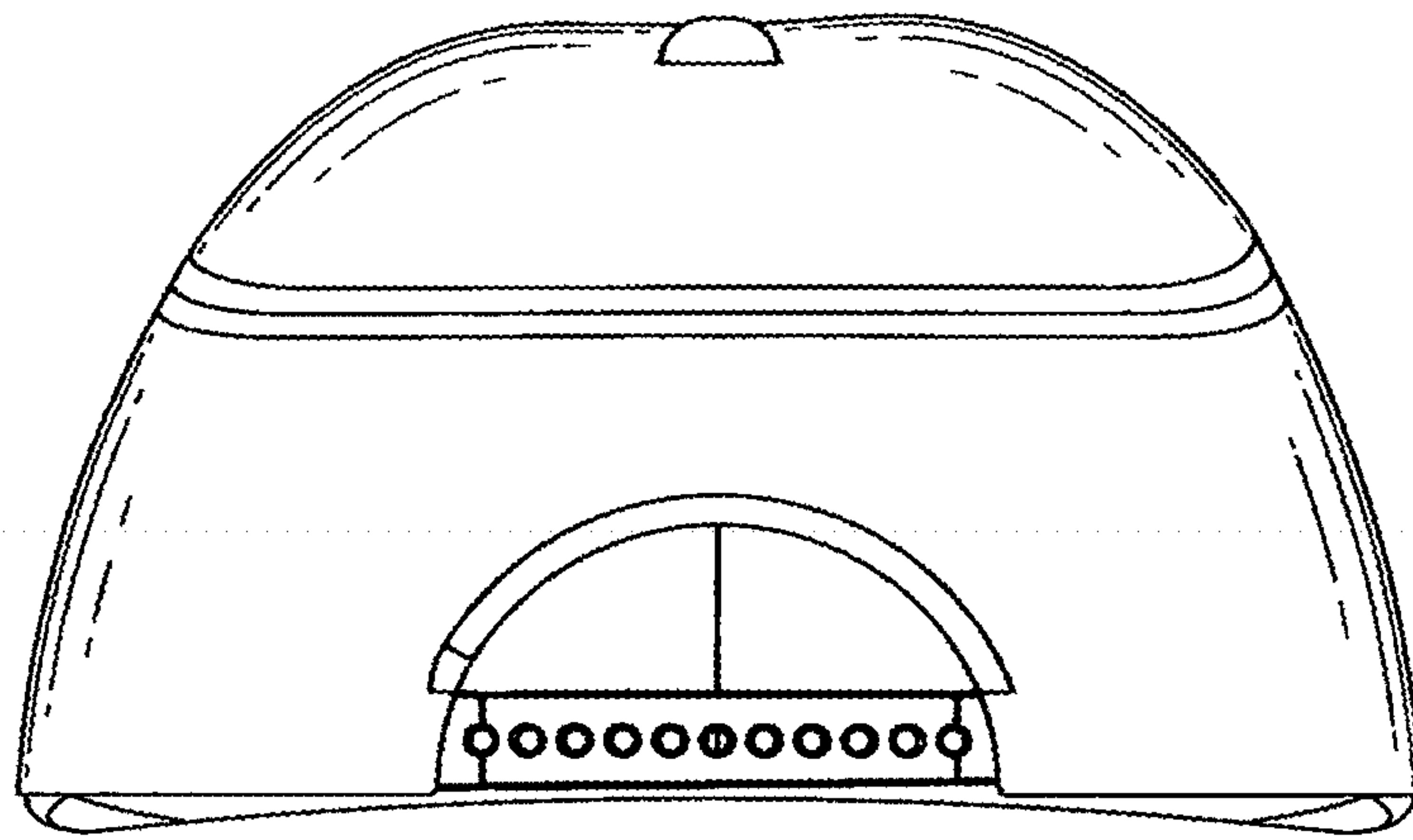


FIG. 3



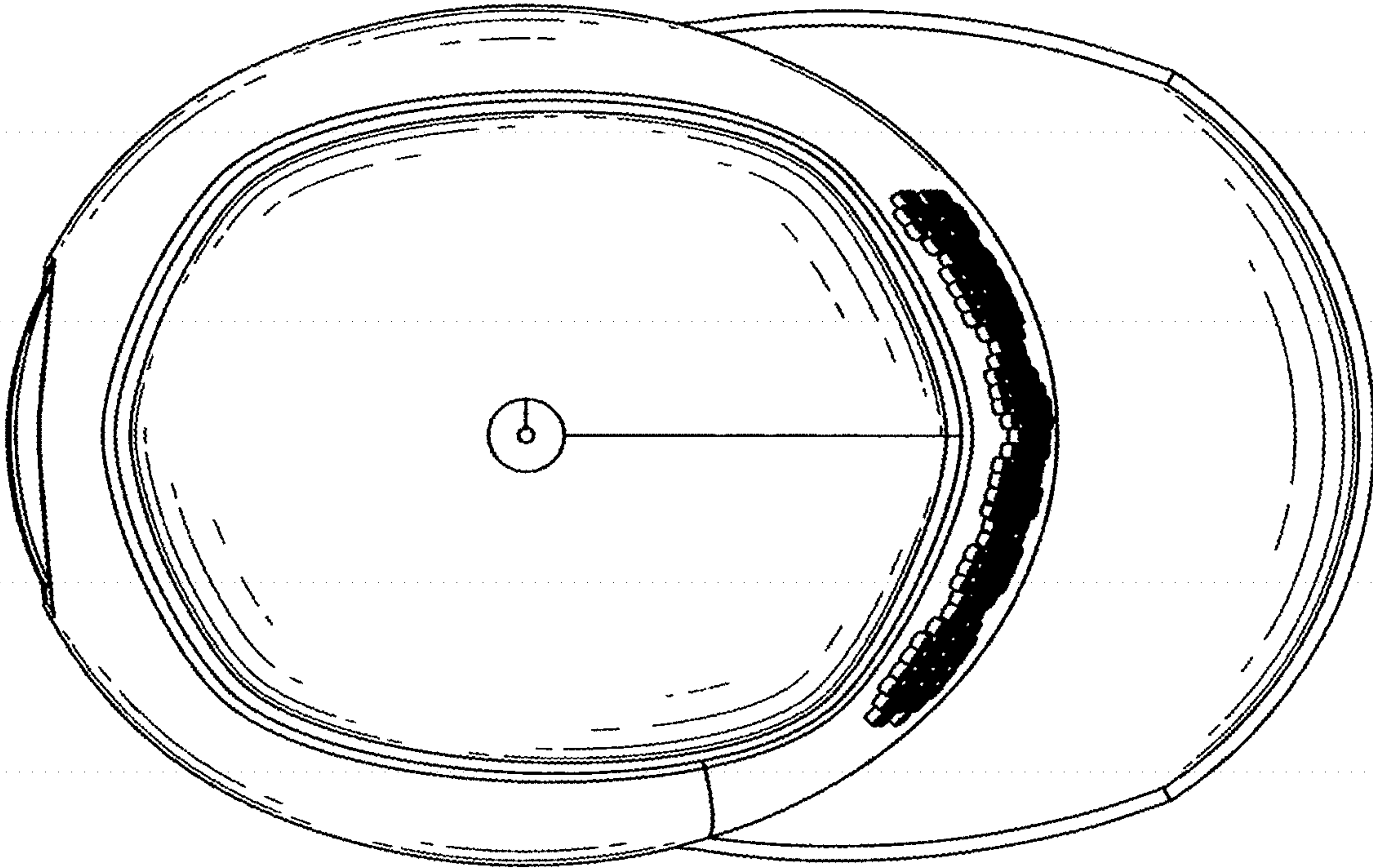


FIG. 4

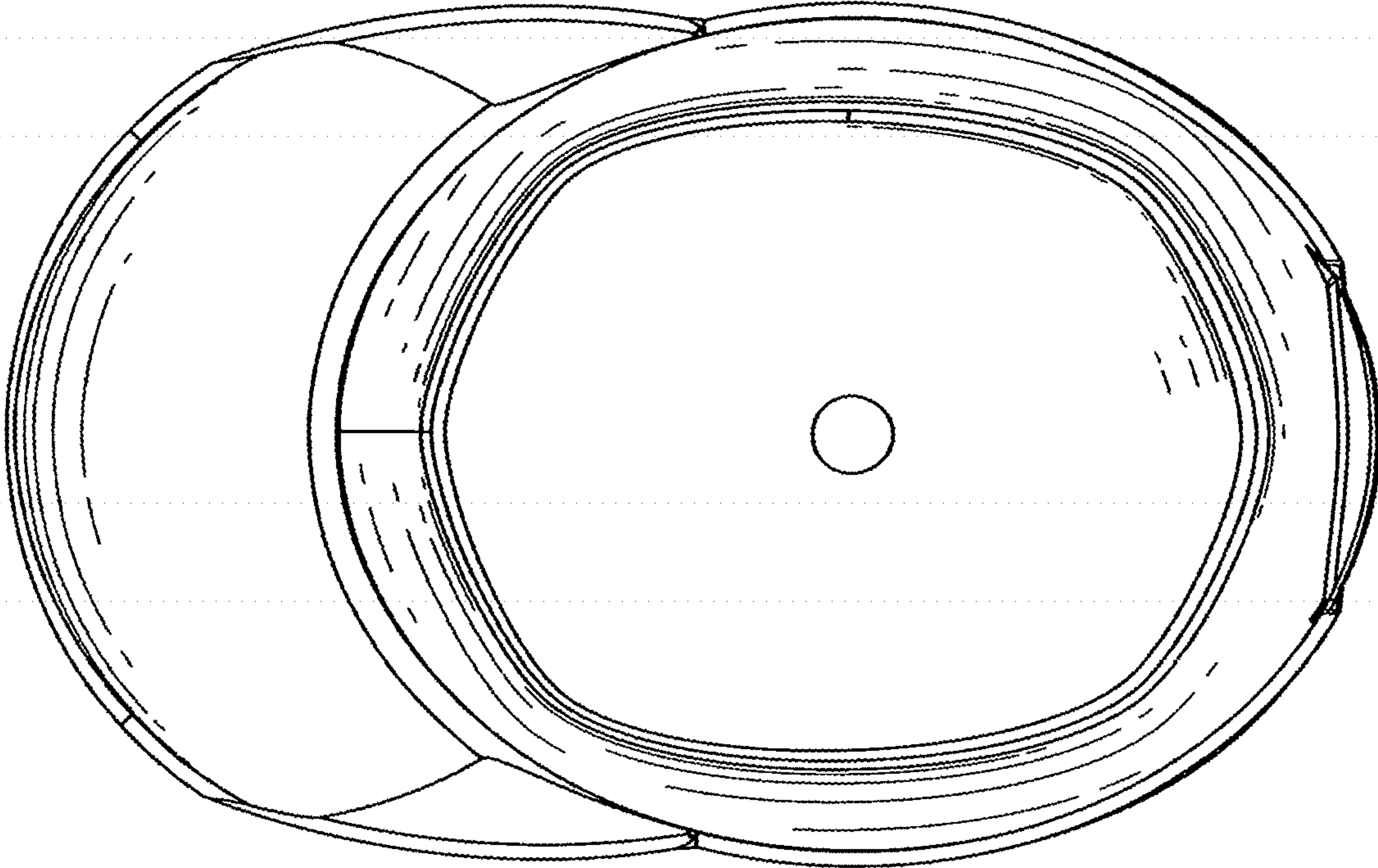


FIG. 5

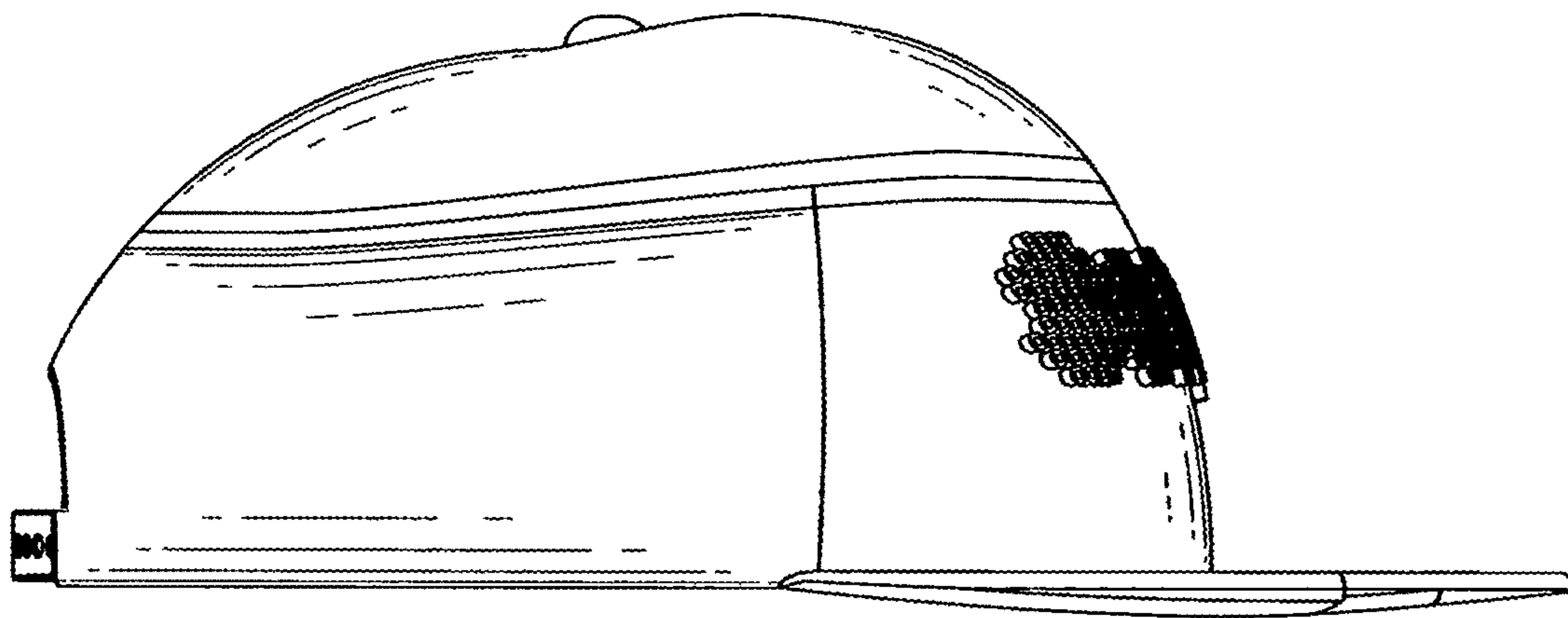


FIG. 6

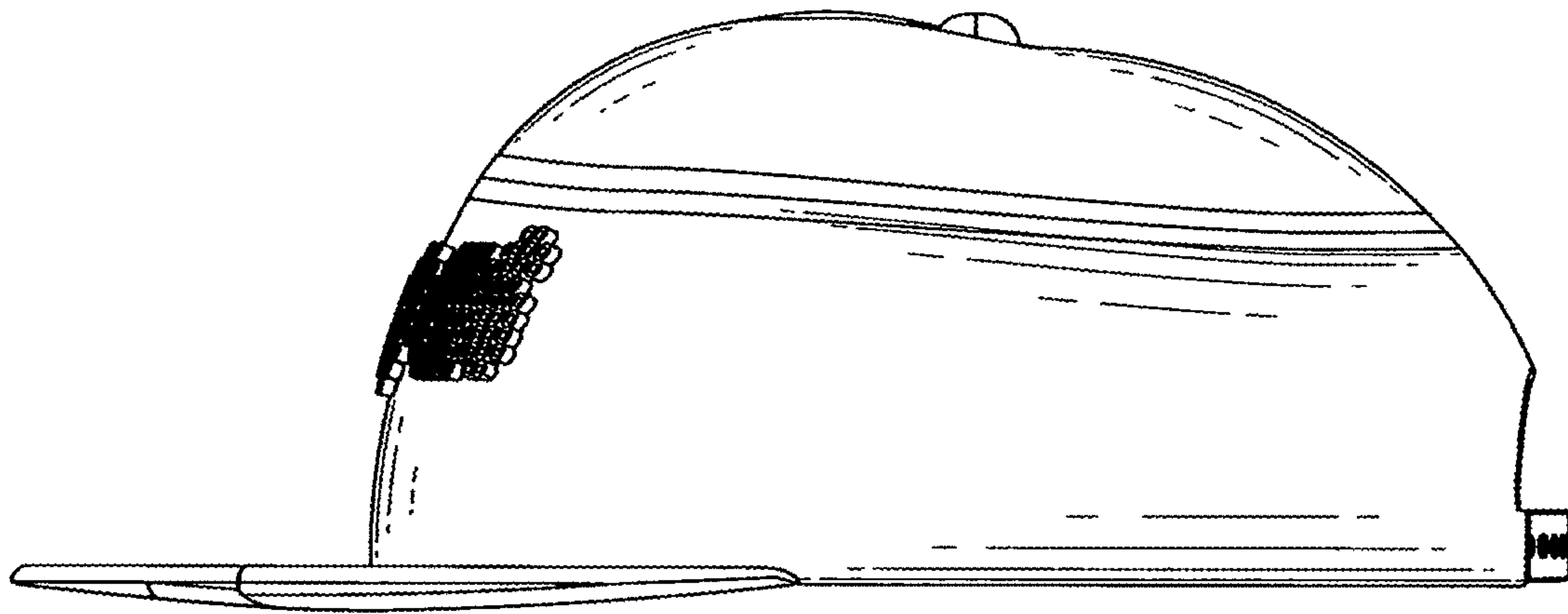


FIG. 7