



US00D933334S

(12) **United States Design Patent**  
**Hsu**

(10) **Patent No.:** **US D933,334 S**

(45) **Date of Patent:** **\*\* \*Oct. 19, 2021**

(54) **COAT WITH POCKET**

(71) Applicant: **Serena Hsu**, Chicago, IL (US)

(72) Inventor: **Serena Hsu**, Chicago, IL (US)

(\* ) Notice: This patent is subject to a terminal disclaimer.

(\*\* ) Term: **15 Years**

(21) Appl. No.: **29/653,501**

(22) Filed: **Jun. 15, 2018**

(51) **LOC (13) Cl.** ..... **02-02**

(52) **U.S. Cl.**  
USPC ..... **D2/828; D2/750**

(58) **Field of Classification Search**  
USPC ..... D2/750-751, 828, 830-831, 866, 755;  
2/69, 63, 84, 417, 93; 297/393  
CPC ..... A41D 1/22  
See application file for complete search history.

(56) **References Cited**

**U.S. PATENT DOCUMENTS**

D551,429 S *	9/2007	Wager	.....	D2/831
D570,577 S *	6/2008	Keppler	.....	D2/750
D615,731 S *	5/2010	Oneto, Sr.	.....	D2/750
D627,540 S *	11/2010	Claeys	.....	D2/750
D672,531 S *	12/2012	Kelfer	.....	D2/750
D728,900 S *	5/2015	White	.....	D2/750

D859,788 S *	9/2019	Speciale	.....	D2/828
2007/0061940 A1 *	3/2007	Cazares	.....	A41D 7/008
				2/86
2016/0324236 A1 *	11/2016	Schrimpf	.....	A41D 27/20
2017/0020215 A1 *	1/2017	Merritt	.....	A41D 27/201

\* cited by examiner

*Primary Examiner* — Amy C Wierenga

(57) **CLAIM**

The ornamental design for a coat with pocket, as shown and described.

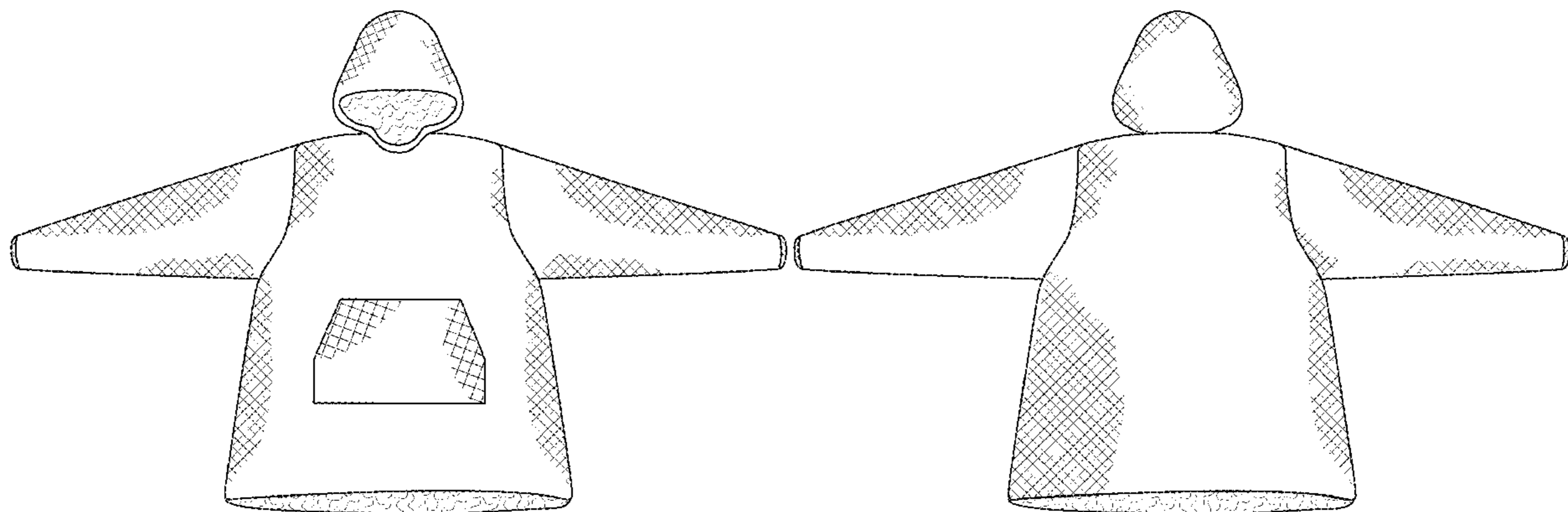
**DESCRIPTION**

FIG. 1 is a perspective view of the claimed design of a coat with pocket;  
 FIG. 2 is a front view of the design of a coat with pocket shown in FIG. 1;  
 FIG. 3 is a back view of the design of a coat with pocket shown in FIG. 1;  
 FIG. 4 is a left view of the design of a coat with pocket shown in FIG. 1;  
 FIG. 5 is a right view of the design of a coat with pocket shown in FIG. 1;  
 FIG. 6 is a top view of the design of a coat with pocket shown in FIG. 1; and,  
 FIG. 7 is a bottom view of the design of a coat with pocket shown in FIG. 1.

The squiggle lines shown in the interior of the coat represent a contrast in appearance only.

The broken lines depict portions of the coat with pocket that form no part of the claim.

**1 Claim, 5 Drawing Sheets**



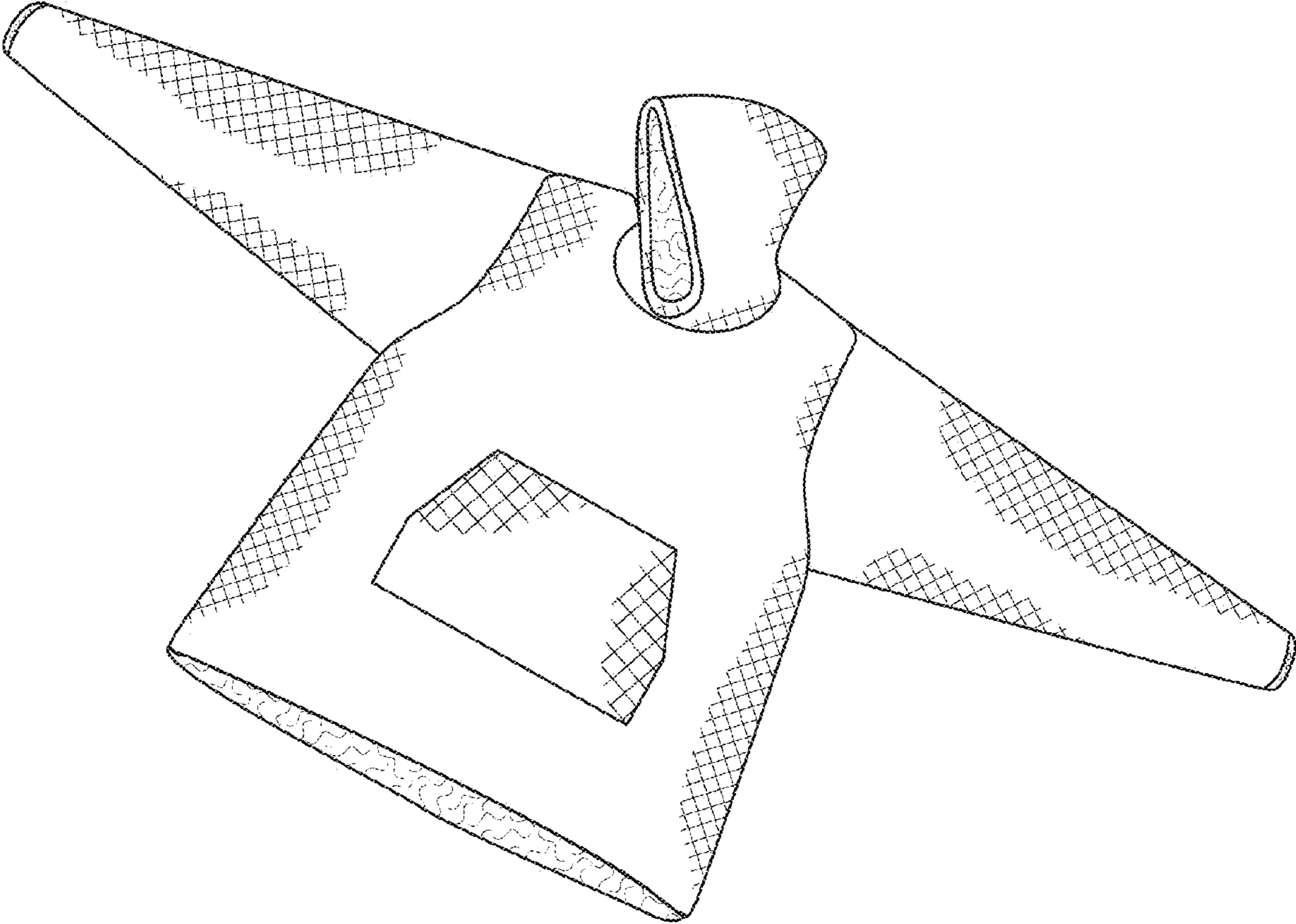


FIG. 1

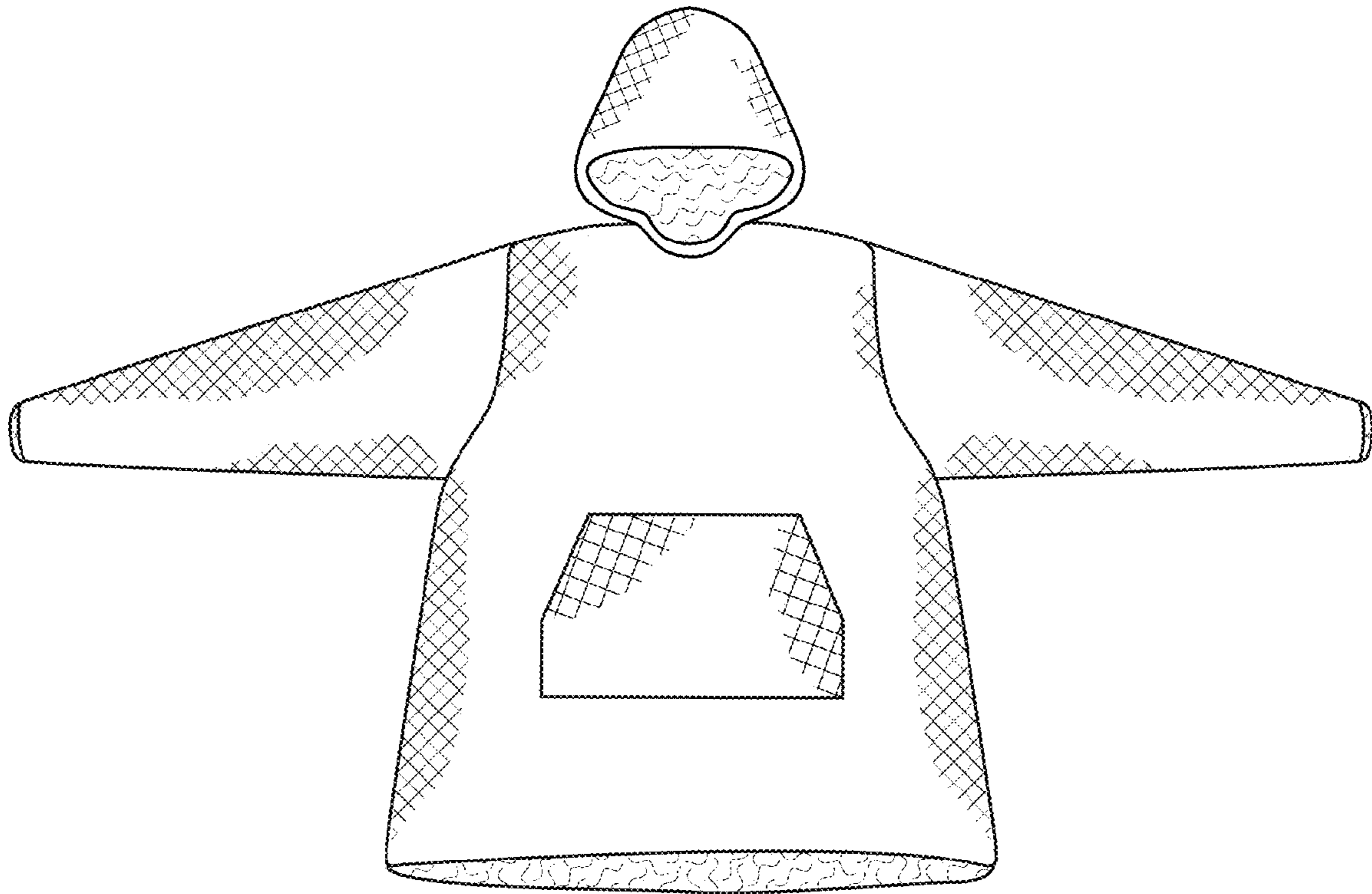


FIG. 2

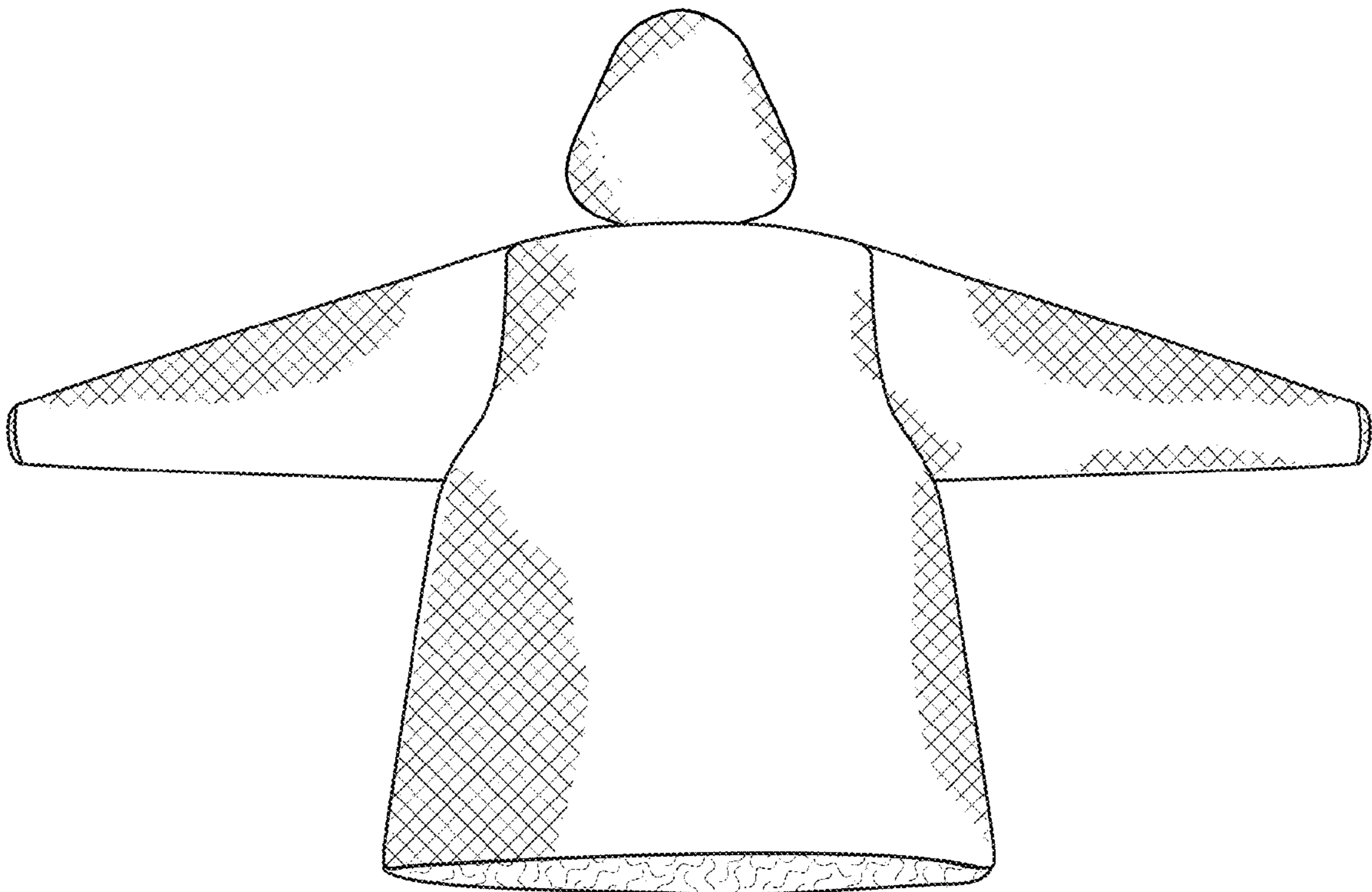


FIG. 3

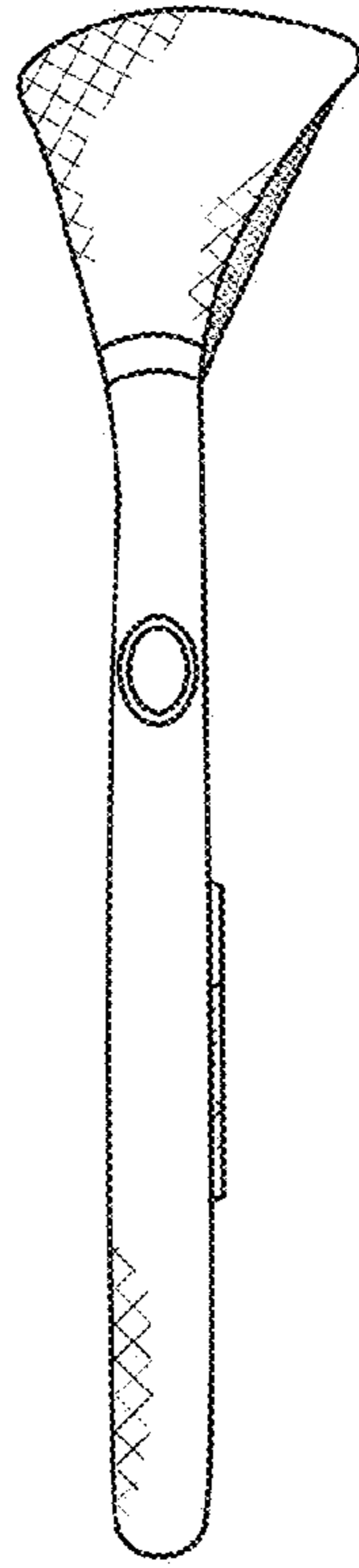


FIG. 4

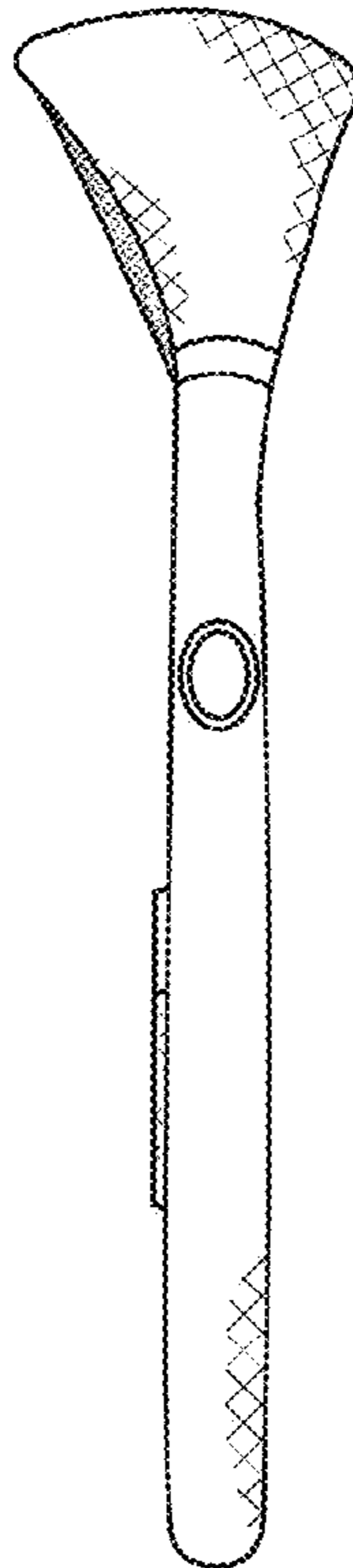


FIG. 5



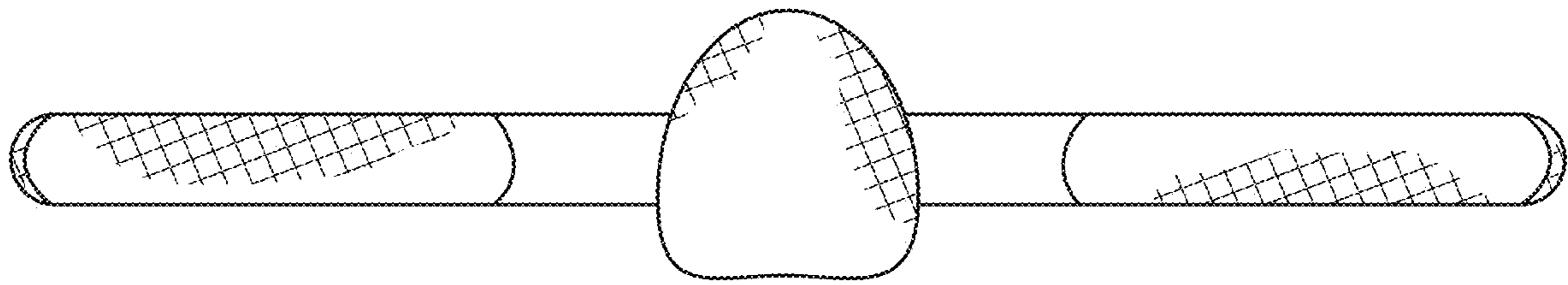


FIG. 6

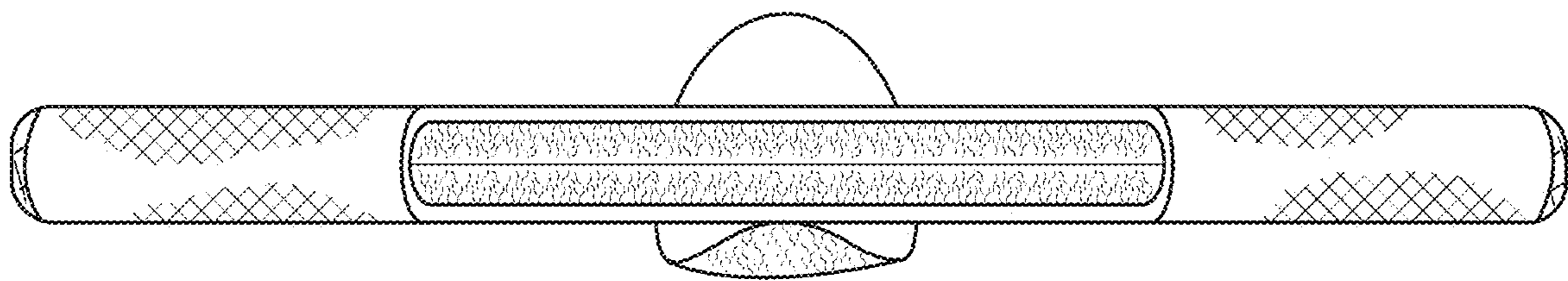


FIG. 7

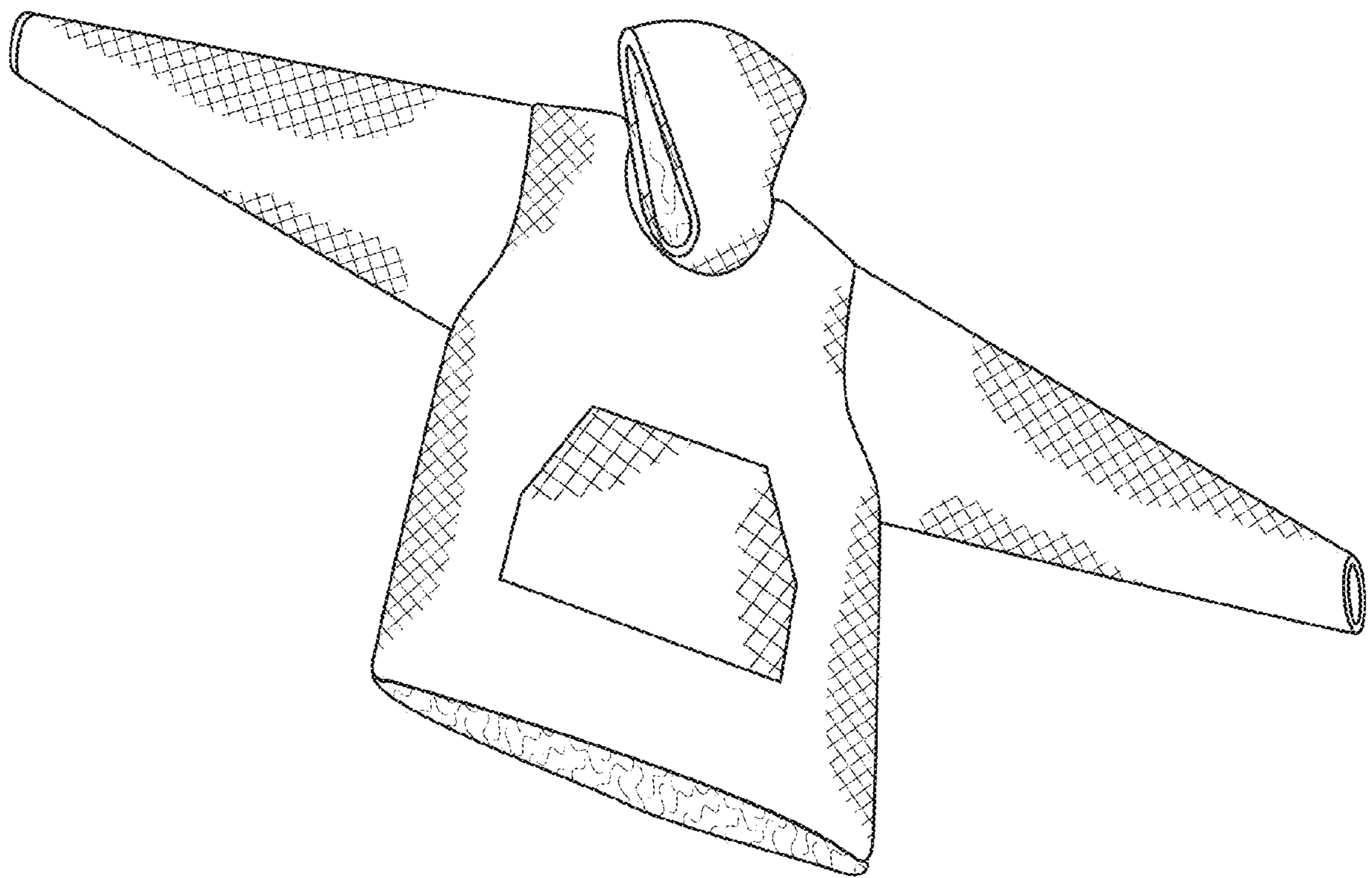


FIG. 8