



US00D933333S

(12) **United States Design Patent** (10) **Patent No.:** **US D933,333 S**
Xu (45) **Date of Patent:** **** Oct. 19, 2021**

(54) **SHAPED SUPPORT BELT**

- (71) Applicant: **Zhennan Xu**, Hong Kong (HK)
- (72) Inventor: **Zhennan Xu**, Hong Kong (HK)
- (73) Assignee: **HEXIN HOLDING LIMITED**, KL (HK)
- (**) Term: **15 Years**
- (21) Appl. No.: **29/772,761**
- (22) Filed: **Mar. 4, 2021**
- (51) **LOC (13) Cl.** **02-01**
- (52) **U.S. Cl.**
USPC **D2/701**; D24/190
- (58) **Field of Classification Search**
USPC D2/700–704, 624; D24/190; D21/662
CPC A41C 1/00; A41C 1/02; A41C 1/08
See application file for complete search history.

(56) **References Cited**

U.S. PATENT DOCUMENTS

2,494,216	A *	1/1950	Versoy	A61F 5/03 450/120
D265,853	S	8/1982	Meloy	
D408,116	S *	4/1999	Gale	D2/627
D499,882	S	12/2004	Baclawski	
D660,439	S *	5/2012	Chen	D24/190
D784,545	S	4/2017	Jangir	
D809,245	S	2/2018	Yeomans et al.	
D816,944	S	5/2018	Gonzalez	
D844,288	S	4/2019	Cluett et al.	
D875,261	S *	2/2020	Liu	D24/190
D881,515	S *	4/2020	Mei	D2/702
D884,198	S *	5/2020	Mei	D24/190
D884,199	S *	5/2020	Mei	D24/190
D895,229	S	9/2020	Harrisson	
D902,527	S	11/2020	Lin	
D910,859	S *	2/2021	Mei	D24/190
D913,630	S *	3/2021	Mei	D2/702
D914,889	S *	3/2021	Langberg	D24/190
D916,298	S *	4/2021	Langberg	D24/190

(Continued)

OTHER PUBLICATIONS

OMAX Lumbar Back Brace—Adjustable Trainer Straps for Lower Back Core Support Belt, posted May 1, 2020 [online], (retrieved May 9, 2021). Retrieved from the internet, https://www.amazon.com/dp/B08744GLSD/ref=sspa_dk_detail_0?psc=1&pd_rd_i=B08744GLSD&pd_rd_w=f6pVr&pf_rd_p=c1a1d435-a11f-487a-977%E2%80%A6 (Year: 2020).*

(Continued)

Primary Examiner — Kevin K Rudzinski

Assistant Examiner — J. Thorn, Sr.

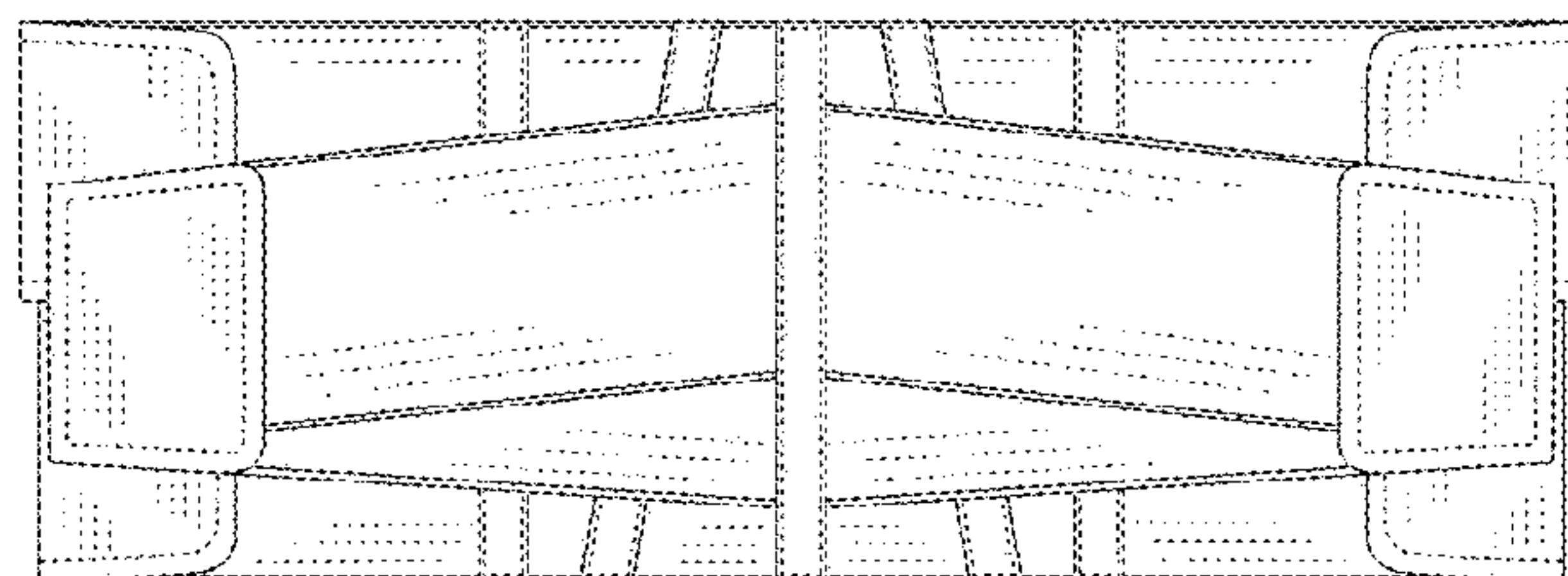
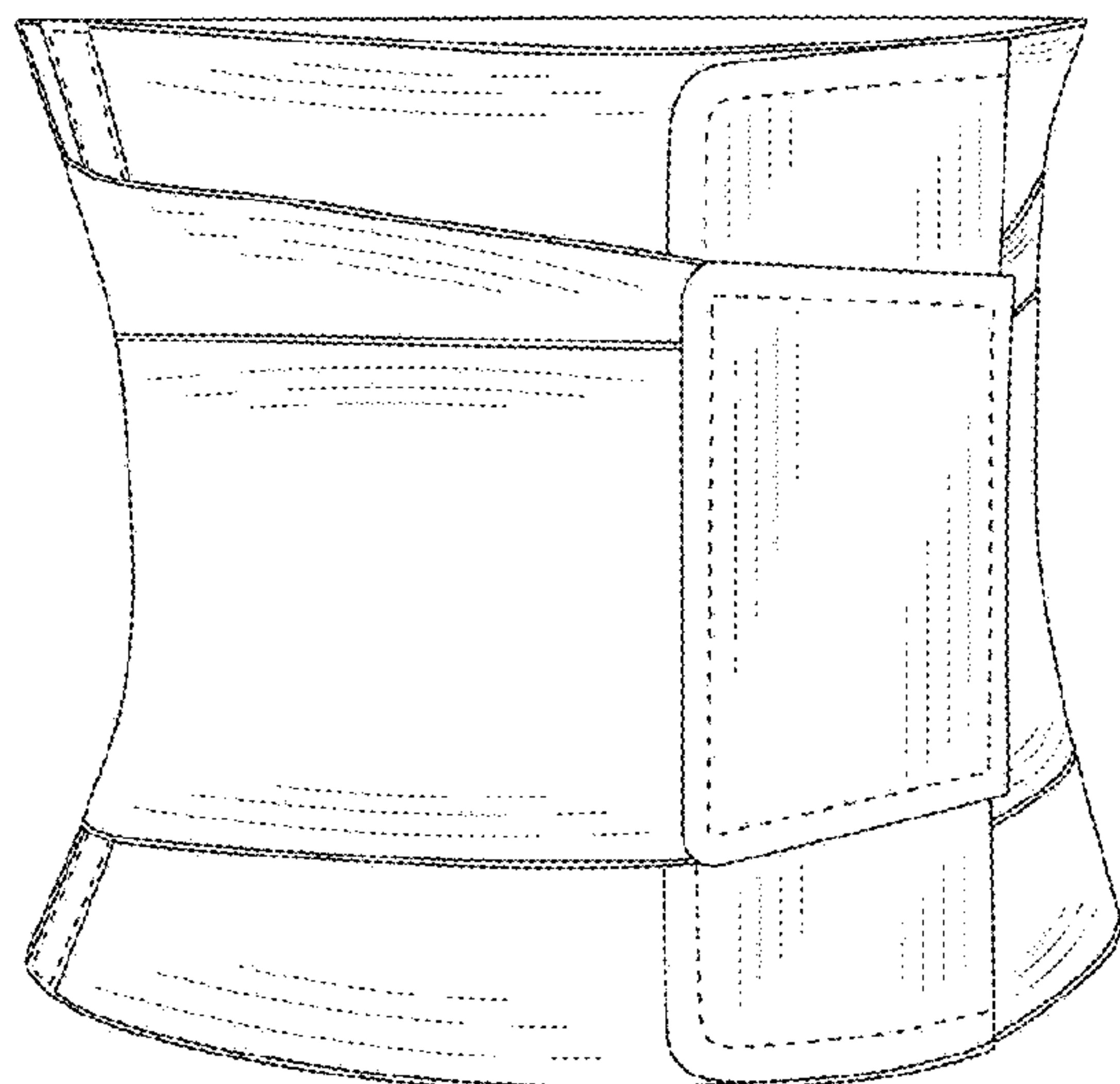
(57) **CLAIM**

The ornamental design for a shaped support belt, as shown and described.

DESCRIPTION

FIG. 1 is a perspective view of a shaped support belt showing my new design;
 FIG. 2 is a front elevation view thereof;
 FIG. 3 is a rear elevation view thereof;
 FIG. 4 is a left side elevation view thereof;
 FIG. 5 is a right side elevation view thereof;
 FIG. 6 is a top plan view thereof;
 FIG. 7 is a bottom plan view thereof;
 FIG. 8 is a front view thereof, shown in a reduced scale with the strap in an unfolded state;
 FIG. 9 is an inside view thereof, shown in a reduced scale with the strap in an unfolded state;
 FIG. 10 is a front view thereof, shown in a reduced scale in another configuration; and,
 FIG. 11 is a left view thereof, shown in a reduced scale in another configuration.
 The broken lines shown in the drawings depict stitching which forms part of the claimed design.

1 Claim, 11 Drawing Sheets



(56)

References Cited

U.S. PATENT DOCUMENTS

D920,523 S * 5/2021 Lin D24/190

OTHER PUBLICATIONS

VENUZOR Waist Trainer Belt for Women—Waist Cincher Trimmer-Slimming Body Shaper Belt—Sport Girdle Belt, posted Nov. 27, 2020 [online], (retrieved May 9, 2021). Retrieved from the internet, https://www.amazon.com/dp/B07XYYBK1M/ref=sspa_dk_detail_2?pd_rd_i=B07XYY4WMY&pd_rd_w=0Am4O&pf_rd_p=91afecf5-8b2e-41e2 (Year: 2020).*

* cited by examiner

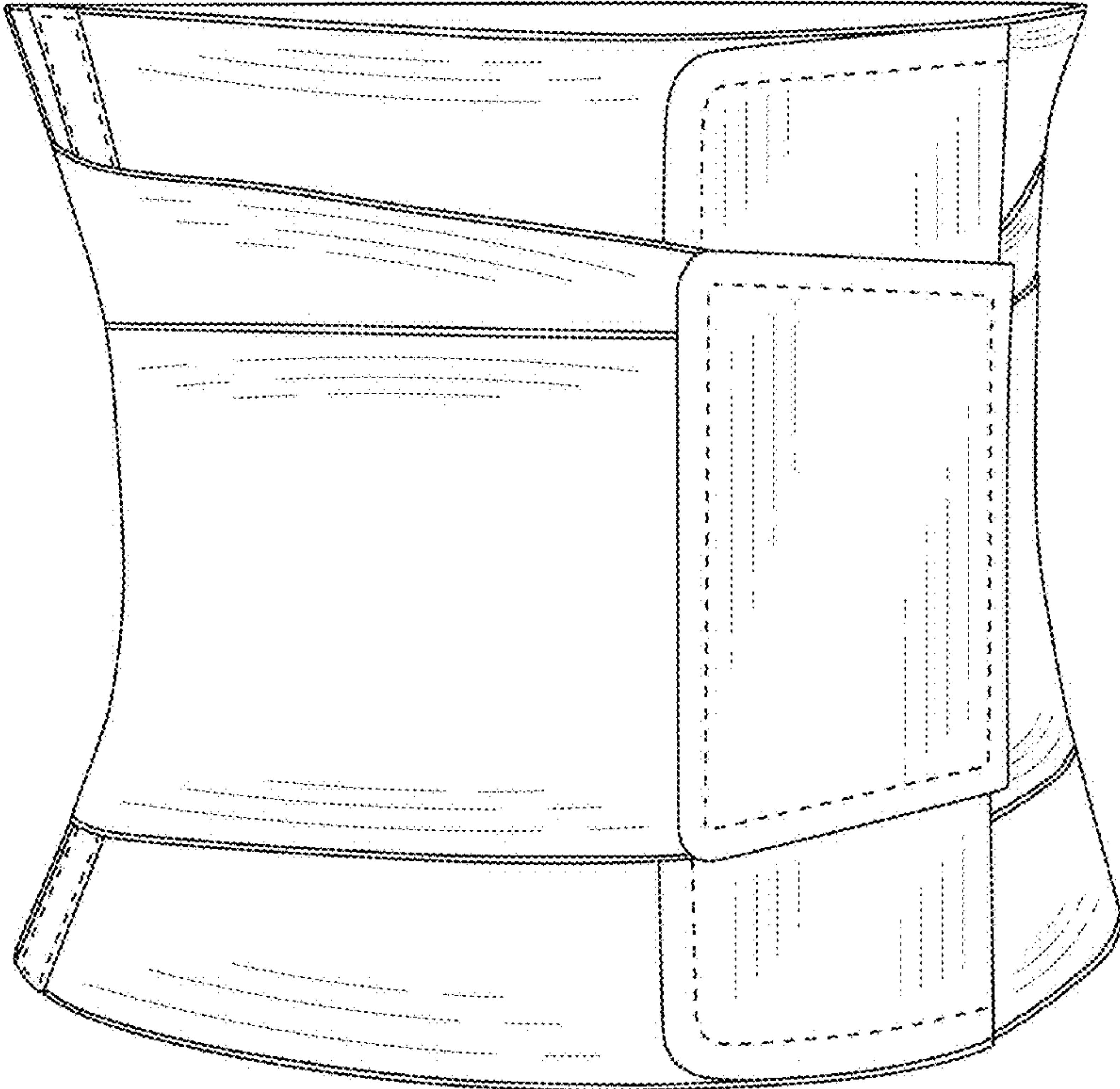


FIG. 1

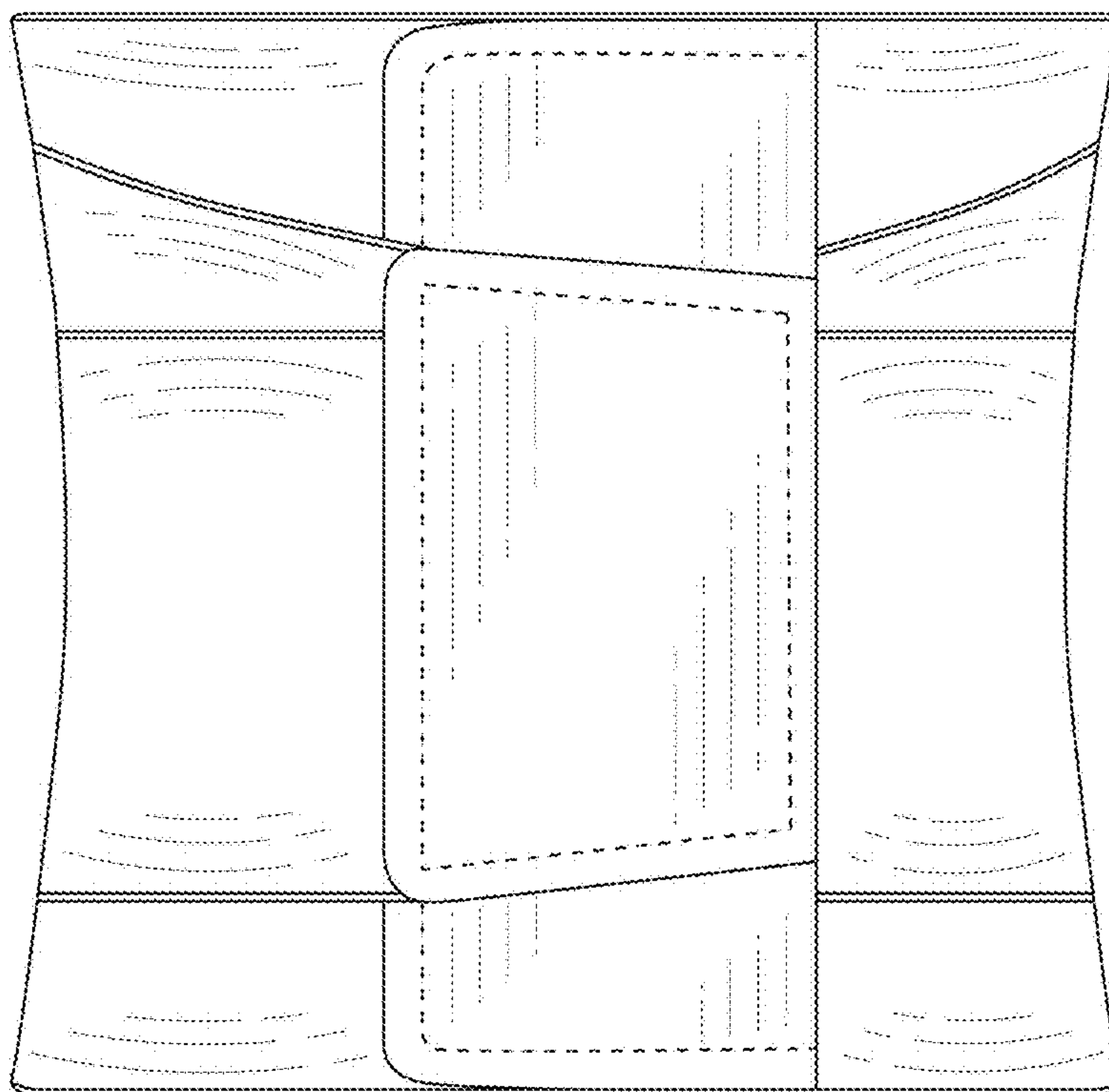


FIG. 2

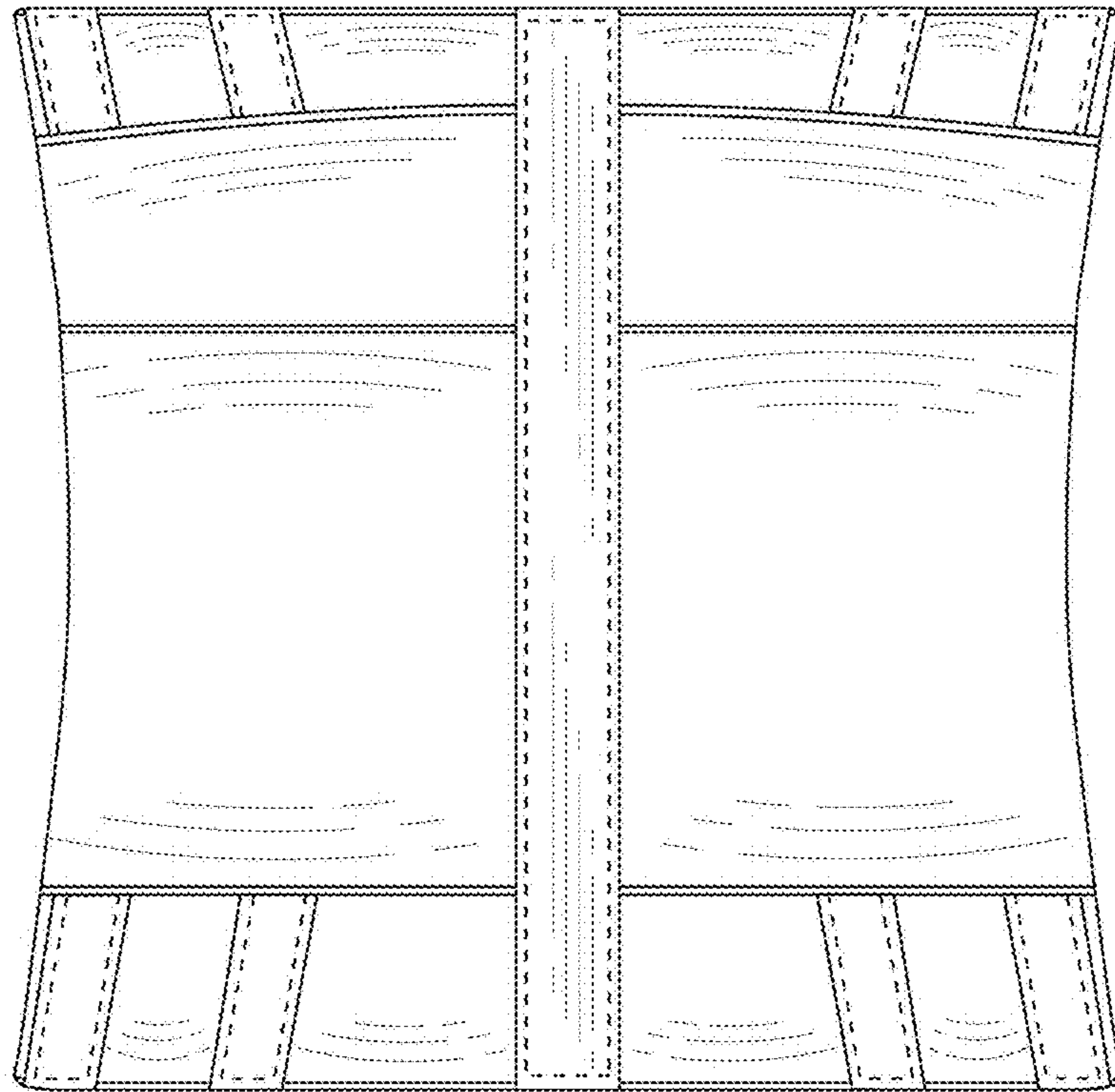


FIG. 3

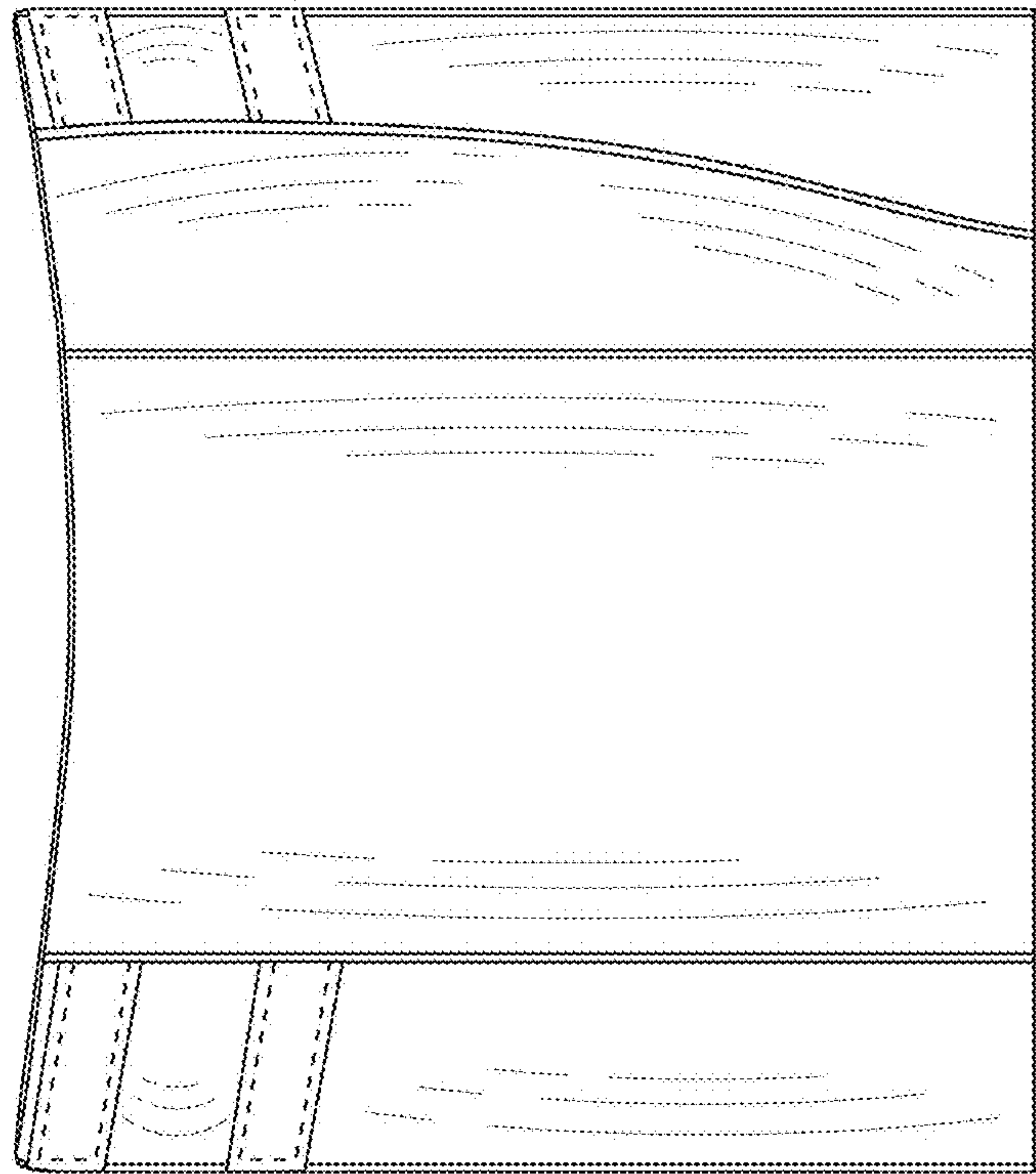


FIG. 4

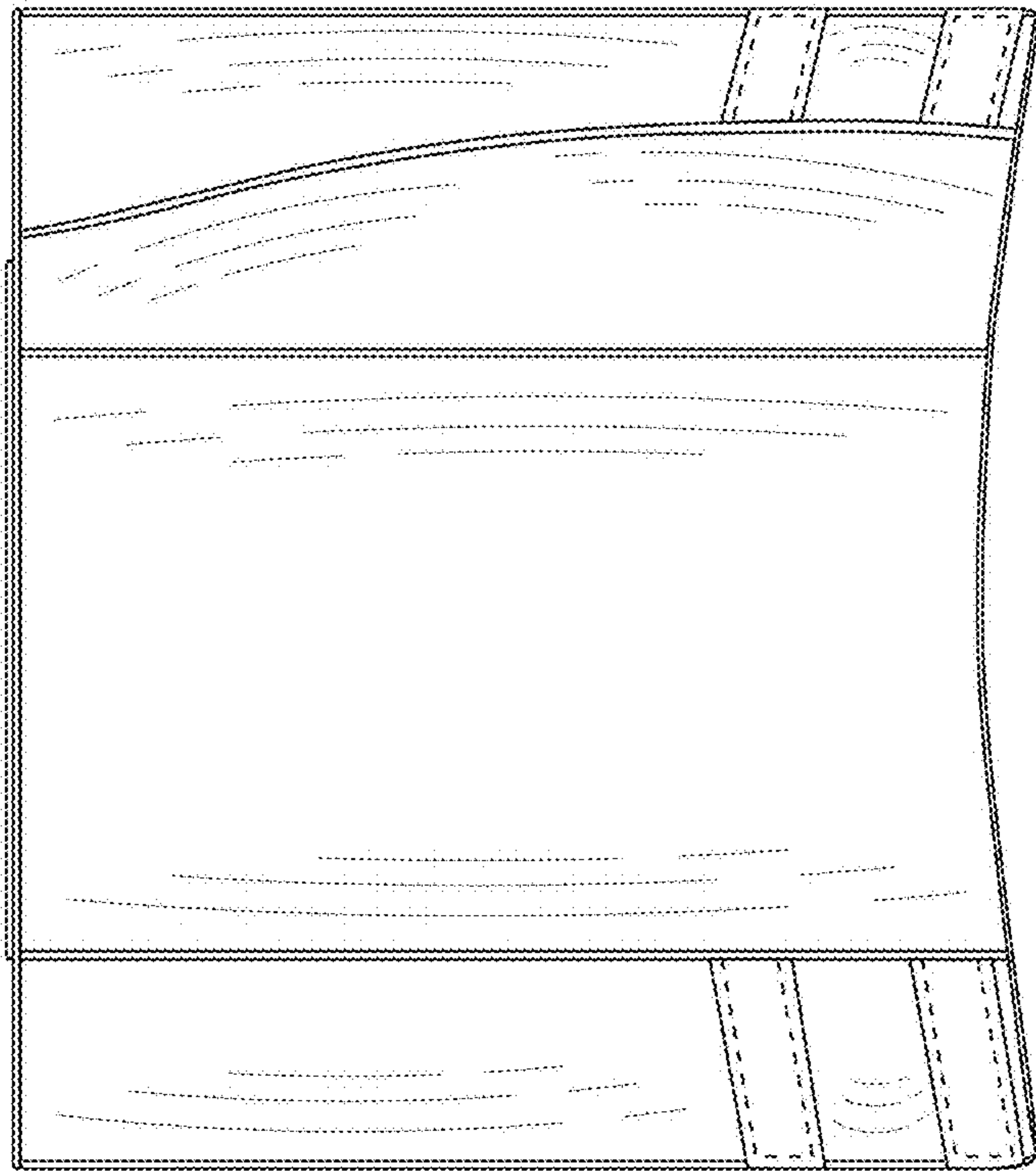


FIG. 5

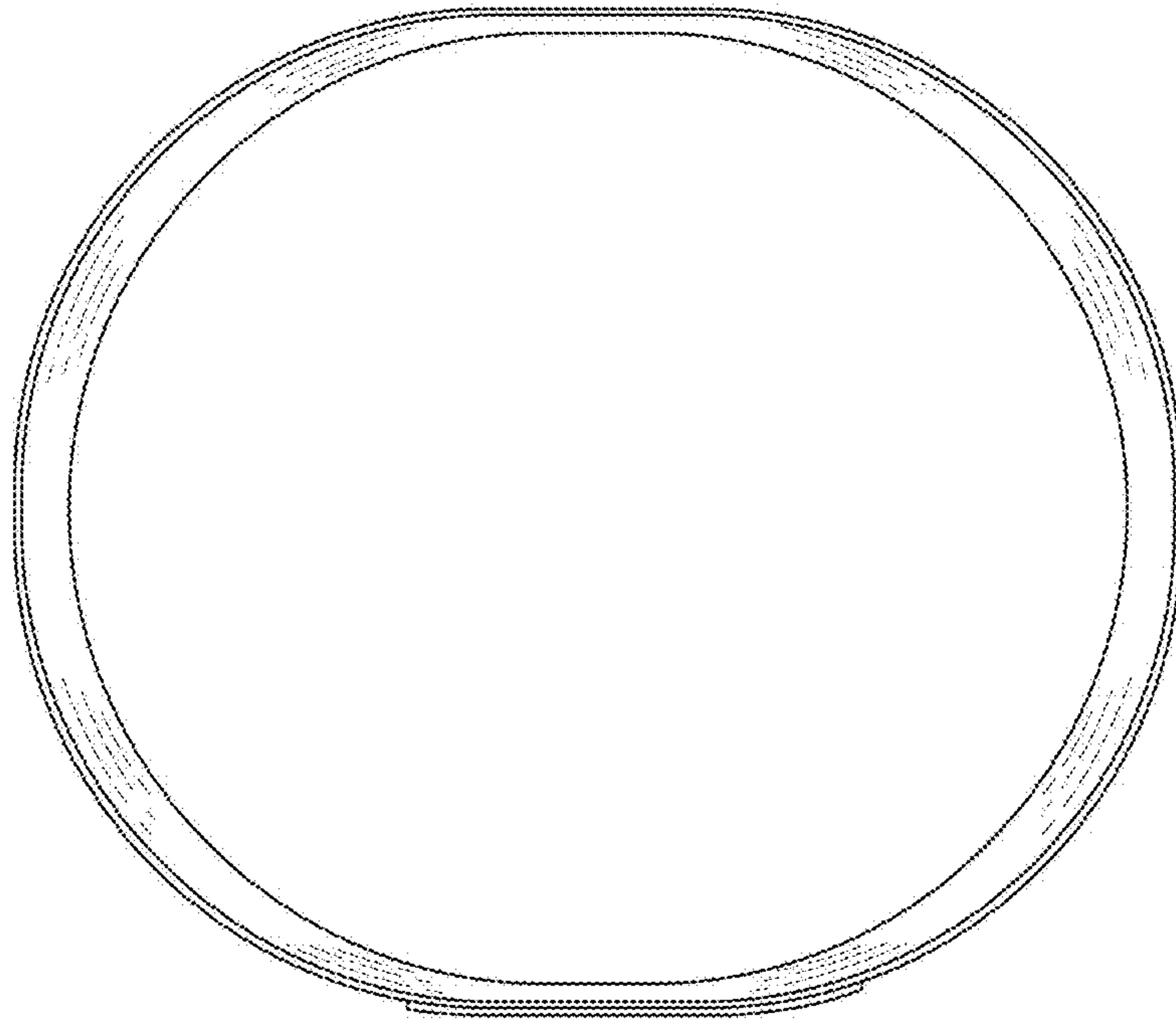


FIG. 6

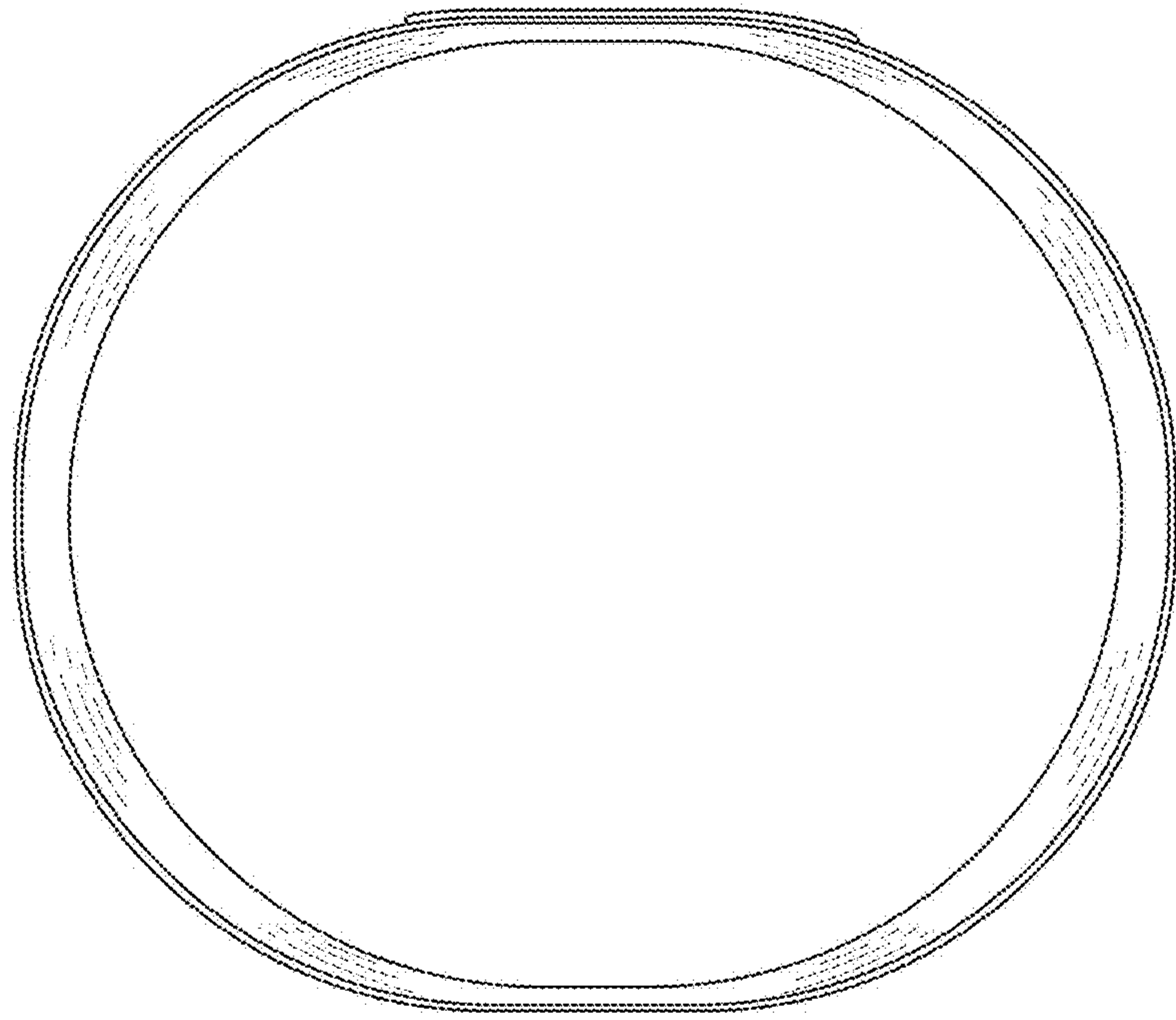


FIG. 7

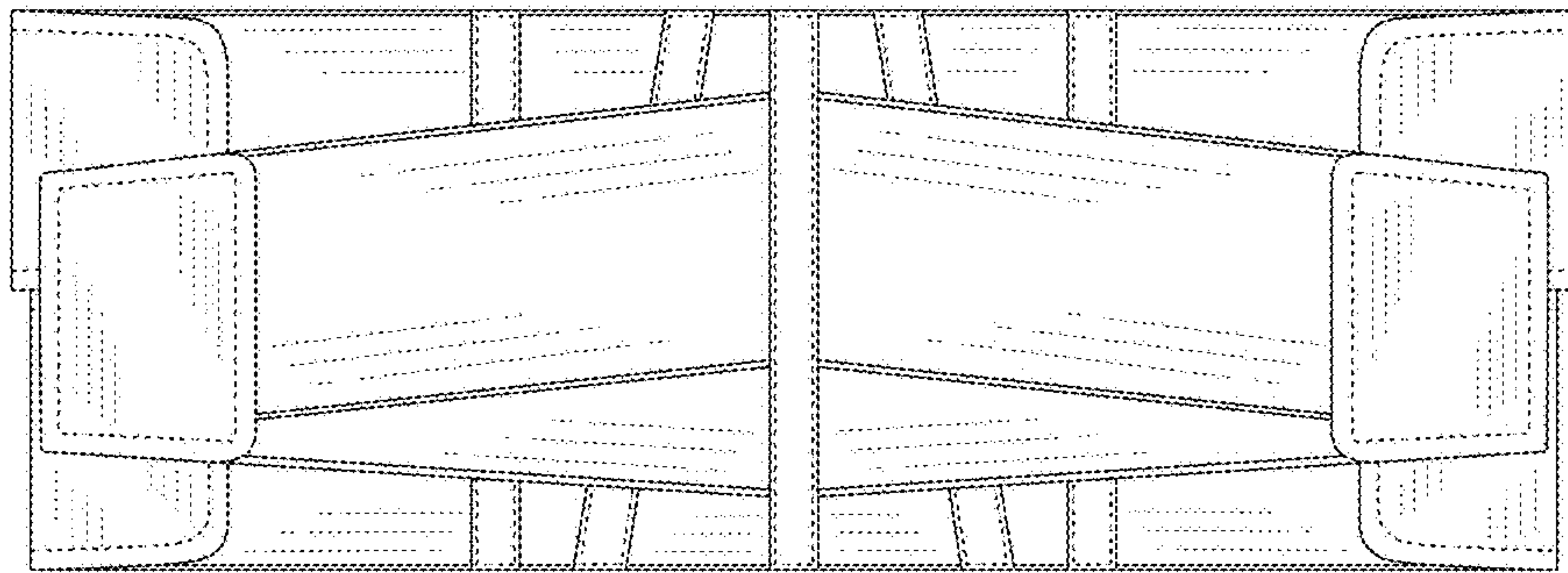


FIG. 8

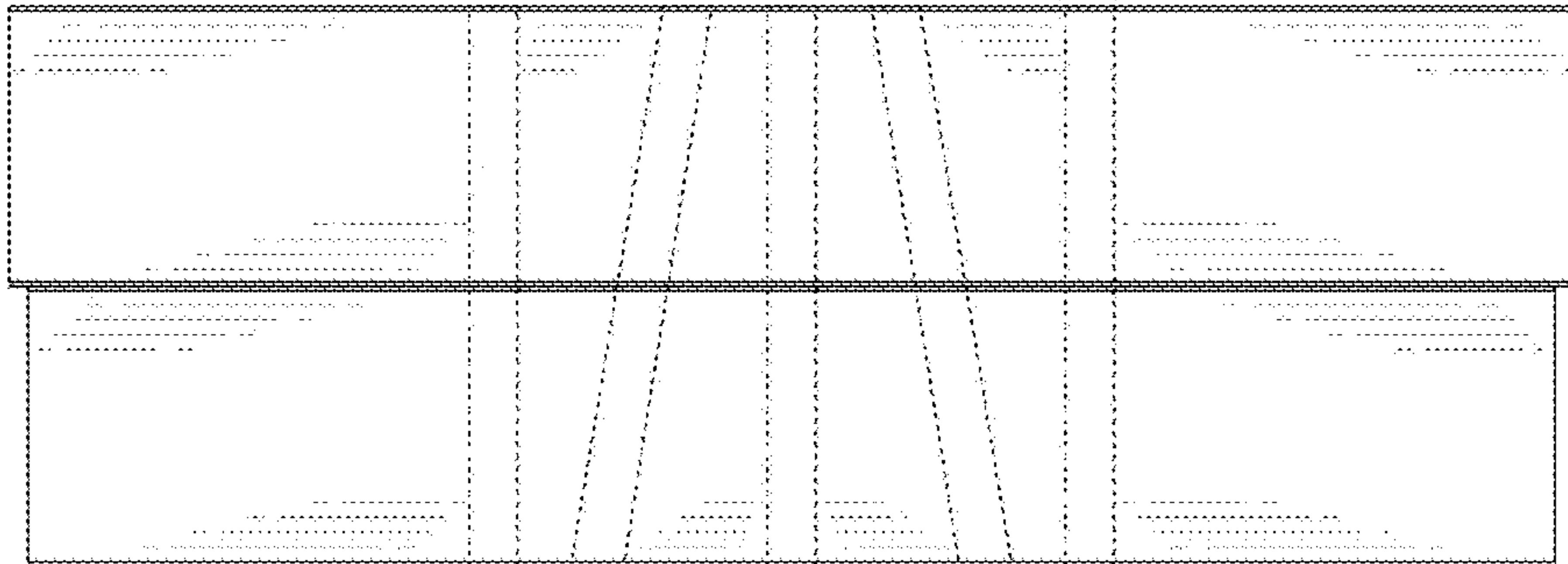


FIG. 9

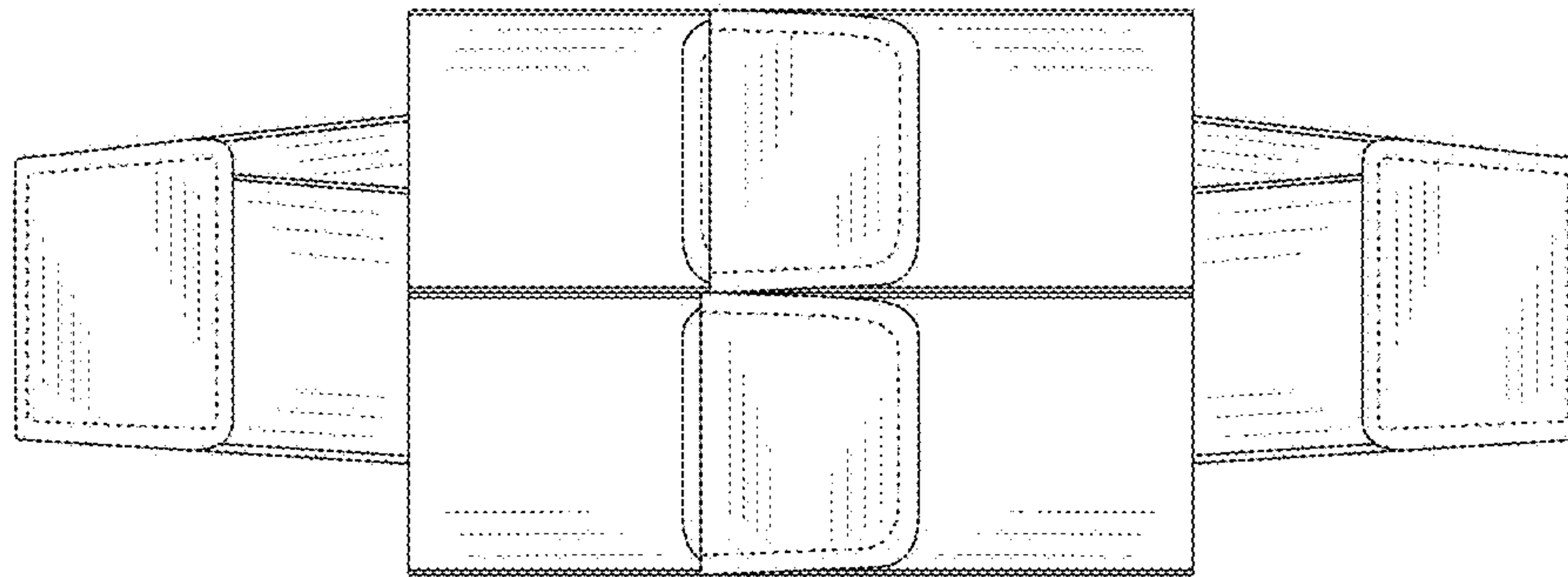


FIG. 10

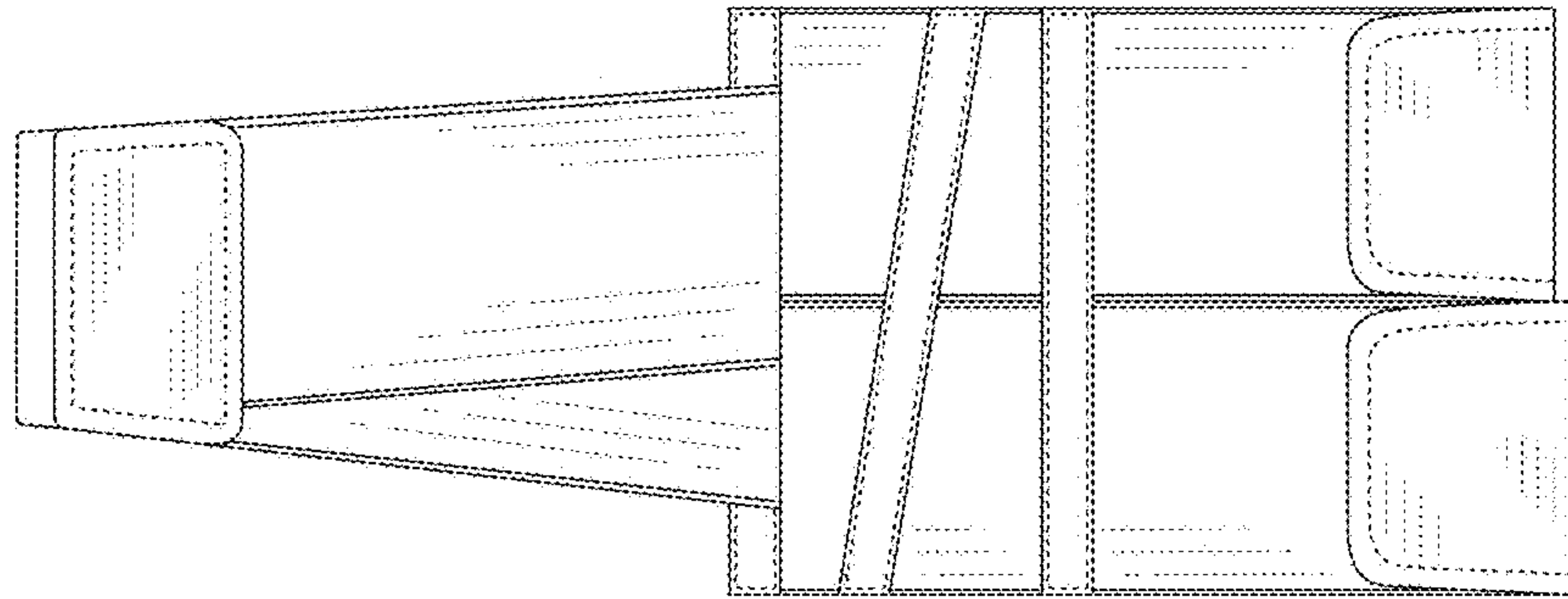


FIG. 11