



US00D933329S

(12) **United States Design Patent** (10) **Patent No.:** **US D933,329 S**
Lanini et al. (45) **Date of Patent:** **** Oct. 12, 2021**

(54) **WINCH MOUNTING PLATFORM WITH INTEGRAL RECEIVER HITCH**

(74) *Attorney, Agent, or Firm* — The Dobrusin Law Firm, PC

(71) Applicant: **Westin Automotive Products, Inc.**,
San Dimas, CA (US)

(57) **CLAIM**

The ornamental design for a winch mounting platform with integral receiver hitch, as shown and described.

(72) Inventors: **Jeremy Lanini**, Alta Loma, CA (US);
Jimmy Gallagher, Yorba Linda, CA (US)

DESCRIPTION

(73) Assignee: **Westin Automotive Products, Inc.**,
San Dimas, CA (US)

FIG. 1 shows a rear perspective view of a winch mounting platform with integral receiver hitch of the present invention attached to a winch;

(**) Term: **15 Years**

FIG. 2 shows a rear perspective view of the hitch winch mount as shown in FIG. 1 by itself and not attached to a winch;

(21) Appl. No.: **29/713,012**

FIG. 3 shows a front perspective view of a hitch winch mount as shown in FIG. 1 attached to a winch;

(22) Filed: **Nov. 13, 2019**

FIG. 4 shows a front perspective view of a hitch winch mount as shown in FIG. 2;

(51) **LOC (13) Cl.** **12-05**

(52) **U.S. Cl.**
USPC **D34/33**

FIG. 5 shows a top view of the hitch winch mount as shown in FIG. 1 attached to a winch;

(58) **Field of Classification Search**
USPC D34/28-39; D12/162

FIG. 6 shows a top view of the hitch winch mount as shown in FIG. 2;

(Continued)

FIG. 7 shows a rear view of the hitch winch mount as shown in FIG. 2;

(56) **References Cited**

U.S. PATENT DOCUMENTS

D550,923 S * 9/2007 Huang D34/33
7,913,978 B1 * 3/2011 Trihey B66D 3/006
254/323

FIG. 8 shows a front view of the hitch winch mount as shown in FIG. 2;

(Continued)

FIG. 9 shows a bottom view of the hitch winch mount as shown in FIG. 2;

OTHER PUBLICATIONS

Falcon hitch, announced Feb. 2017 [online], [site visited Aug. 11, 2021]. Available from internet, URL: <https://www.denniskirk.com/falcon/1-1-4-in-receiver-mount-qm300001-25.p517999.prd/517999.sku> (Year: 2017).*

FIG. 10 shows a left side view of the hitch winch mount as shown in FIG. 2;

(Continued)

FIG. 11 shows a right side view of the hitch winch mount as shown in FIG. 2;

FIG. 12 shows a bottom front perspective view of the hitch winch mount as shown in FIG. 2; and,

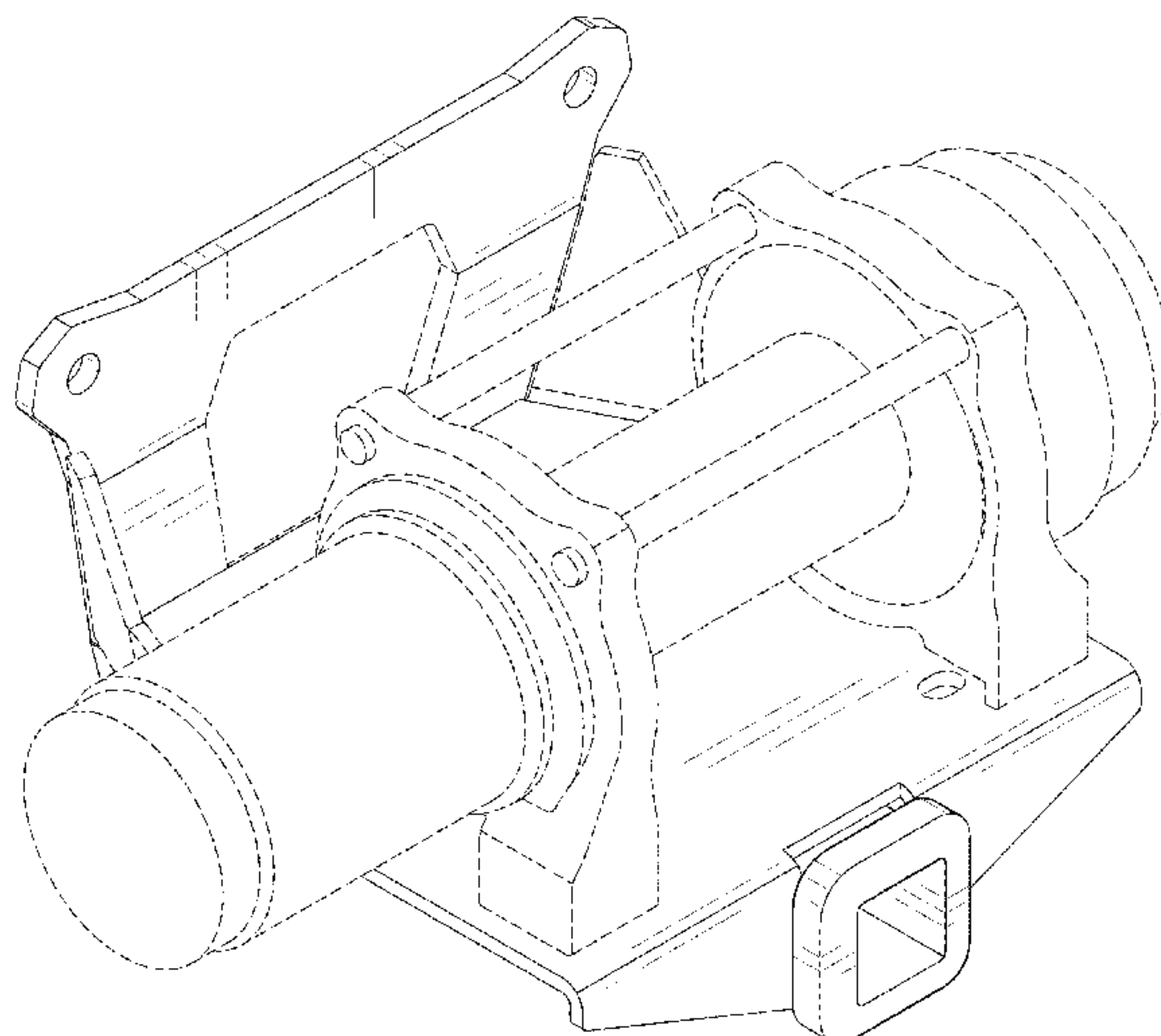
FIG. 13 shows a bottom rear perspective view of the hitch winch mount as shown in FIG. 2.

The broken line showing of the winch in FIGS. 1, 3, & 5 depict environment and forms no part of the claimed design. All other broken lines depict portions of the winch mounting platform with integral receiver hitch that form no part of the claimed design.

Primary Examiner — George A Bugg

Assistant Examiner — Tamara L Hahn

1 Claim, 13 Drawing Sheets



(58) **Field of Classification Search**

CPC . B66D 1/12; B66D 1/005; B66D 1/00; B66D
1/14; B66D 3/006; E21B 19/06; E21B
19/16; E21B 19/08

See application file for complete search history.

(56) **References Cited**

U.S. PATENT DOCUMENTS

D682,750 S *	5/2013	Smith	D12/162
D897,245 S *	9/2020	Borkholder	D12/162
D922,265 S *	6/2021	Han	D12/162
2011/0215285 A1*	9/2011	Akhavein	B66D 3/006 254/344

OTHER PUBLICATIONS

Jeep winch, announced 2021 [online], [site visited Aug. 11, 2021].
Available from internet, URL: <https://www.extremeterrain.com/jeep-gladiator-2-inch-receiver-hitch-winch-mount-31010.html> (Year: 2021).*

Bulldog winch, announced 2018 [online], [site visited Aug. 11, 2021]. Available from internet, URL: <https://www.etrailer.com/Accessories-and-Parts/Bulldog-Winch/BDW20061R2.html?feed=npn> (Year: 2018).*

Warn hitch, announced 2013 [online], [site visited Aug. 11, 2021]. Available from internet, URL: https://www.amazon.com/WARN-68531-Hitch-Adapter/dp/B000CQBMMW/ref=asc_df_B000CQBMMW (Year: 2013).*

Elitewill hitch, announced Jun. 2020 [online], [site visited Aug. 11, 2021]. Available from internet, URL: https://www.amazon.com/ELITEWILL-Receiver-Universal-Trailer-Hitch/dp/B08BG1XLWS/ref=pd_sbs_5/135-3729083-9685904 (Year: 2020).*

* cited by examiner

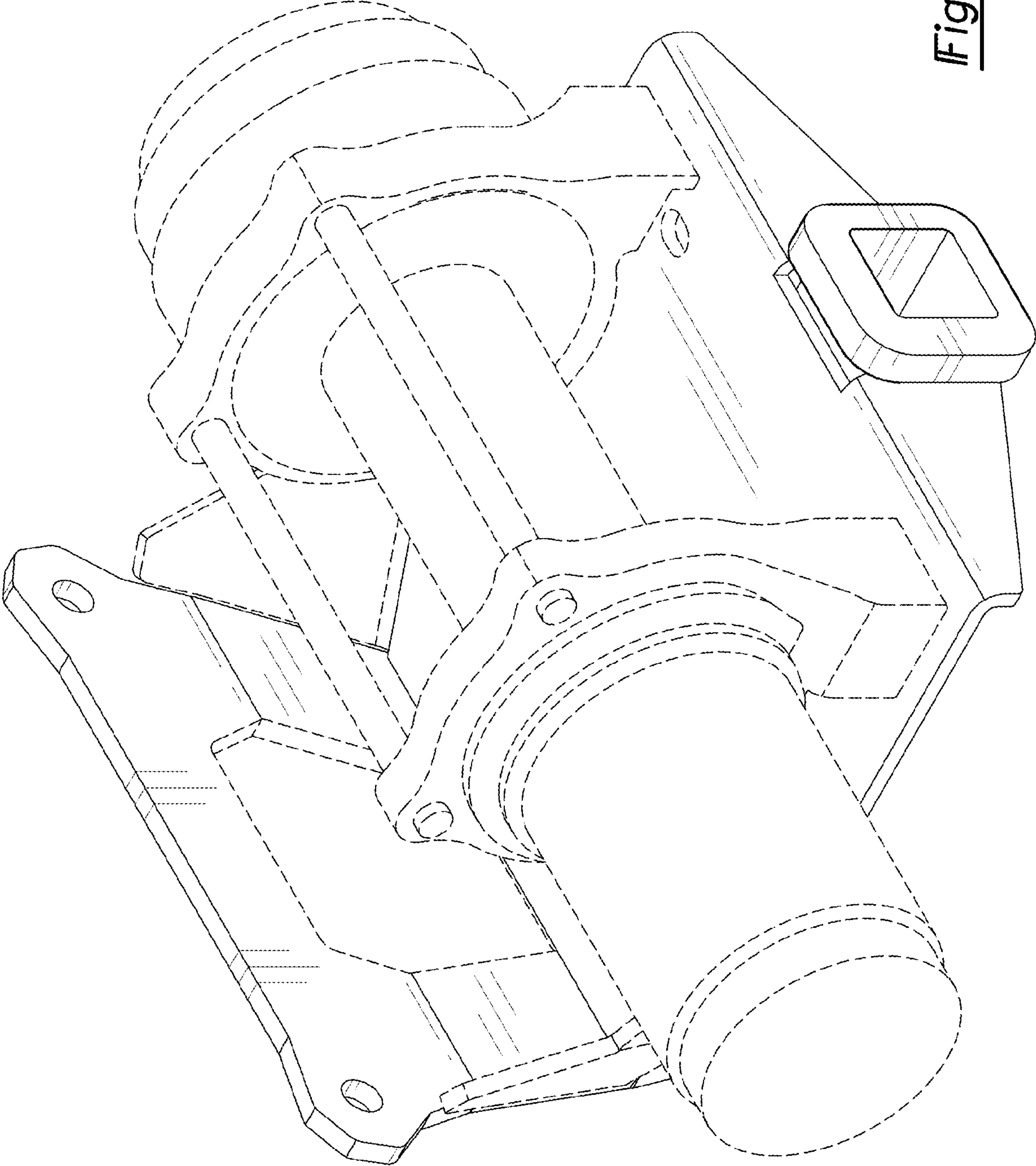


Fig-1

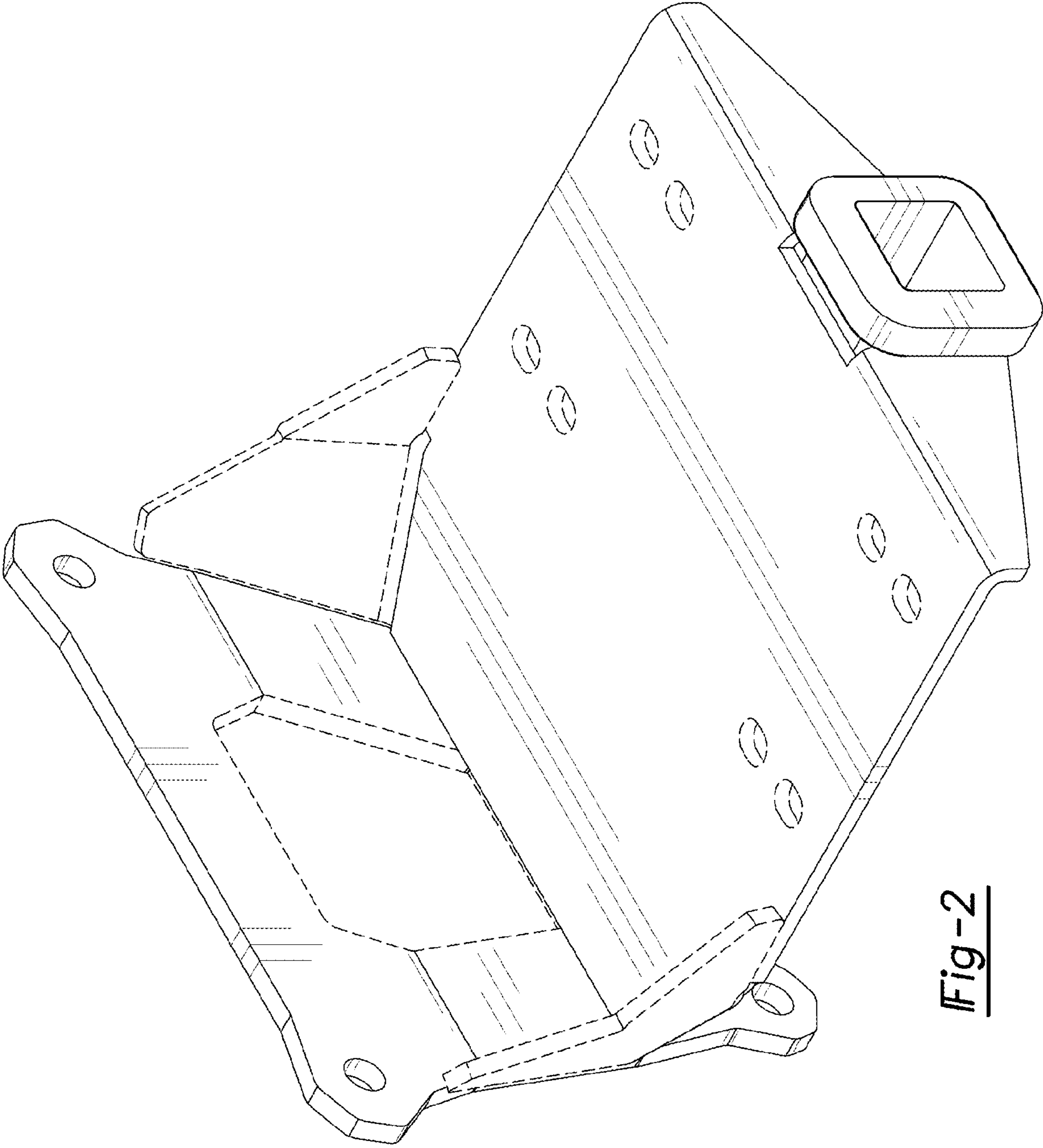


Fig-2

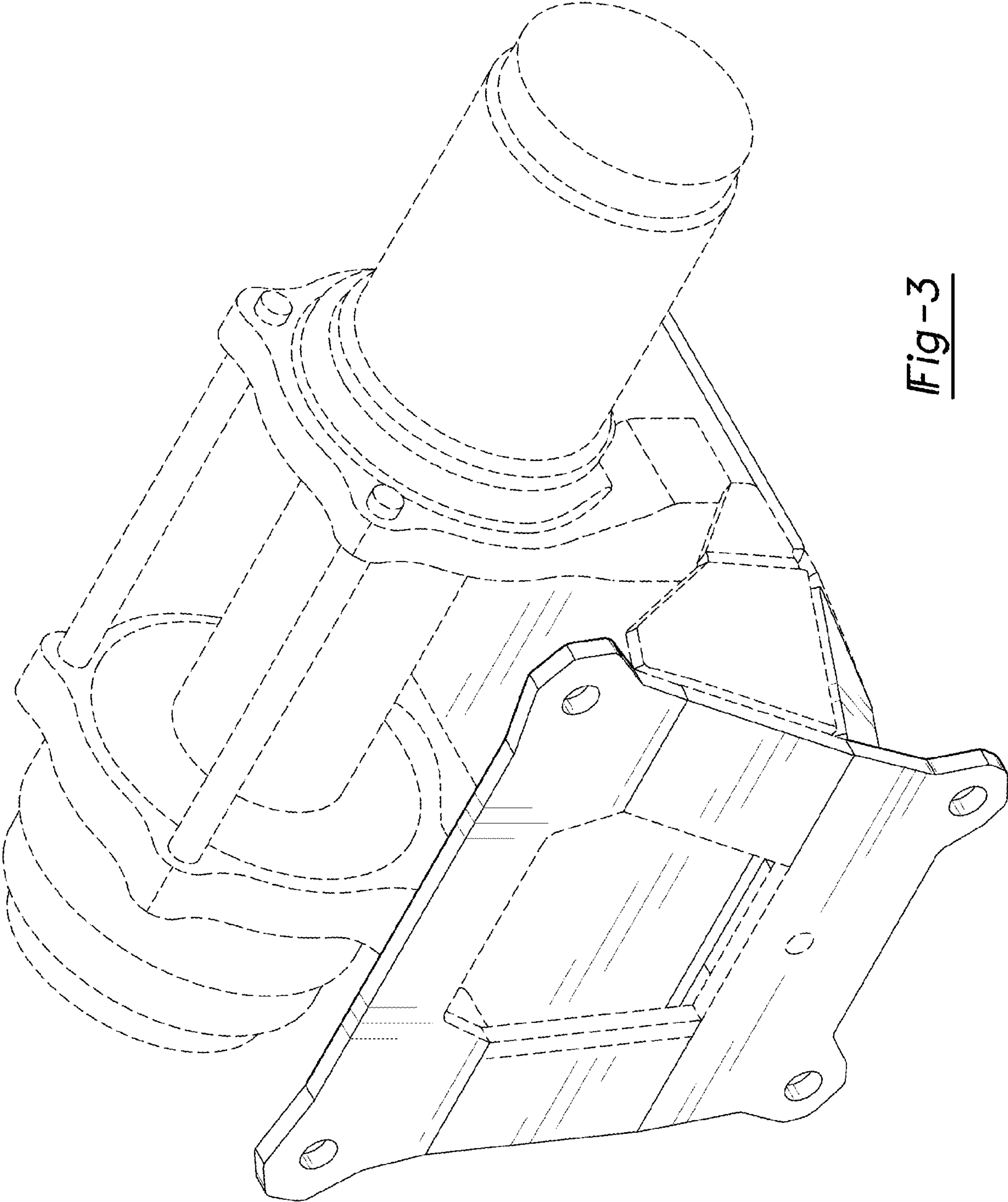


Fig-3

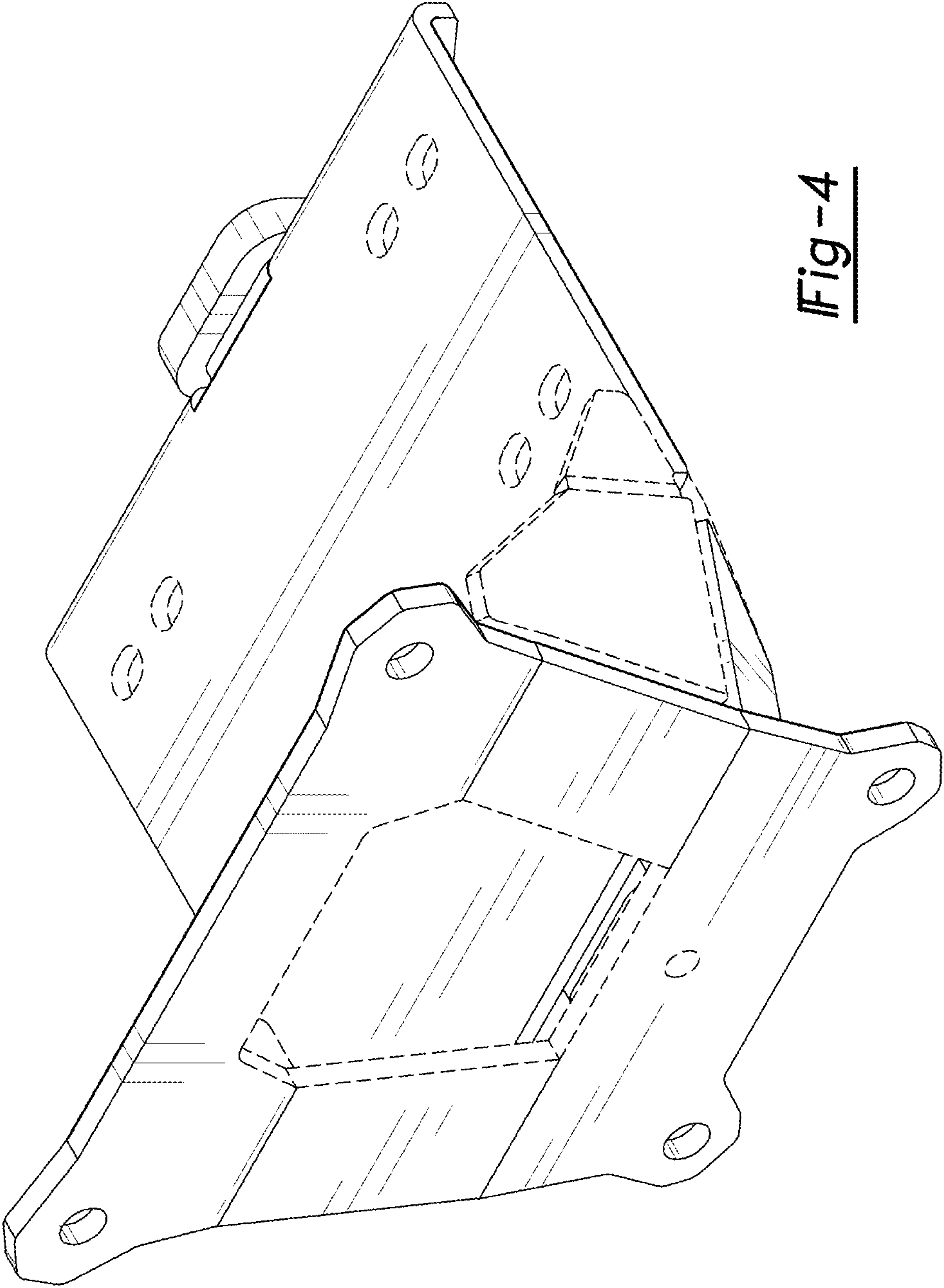


Fig-4

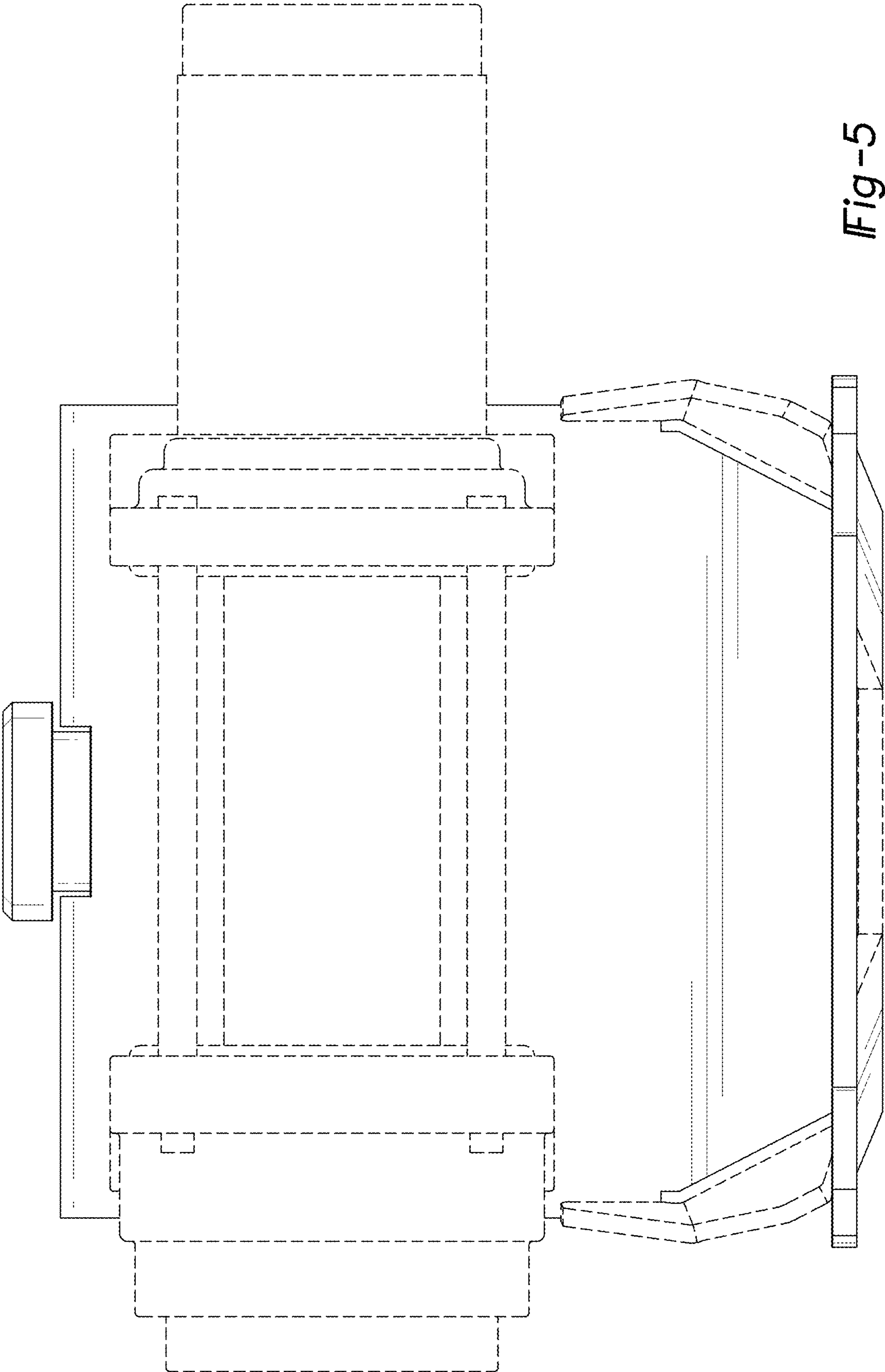


Fig-5

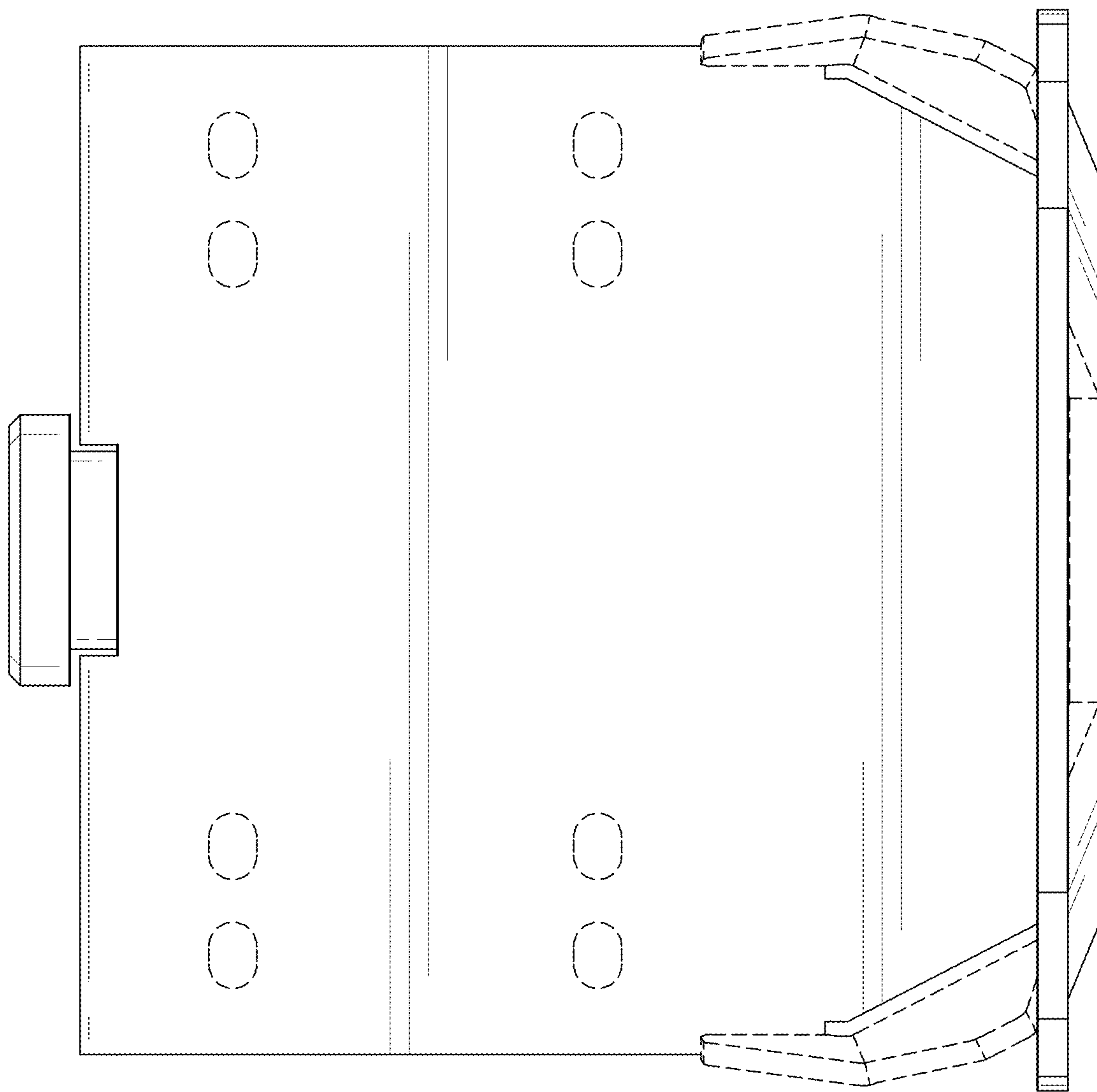


Fig-6

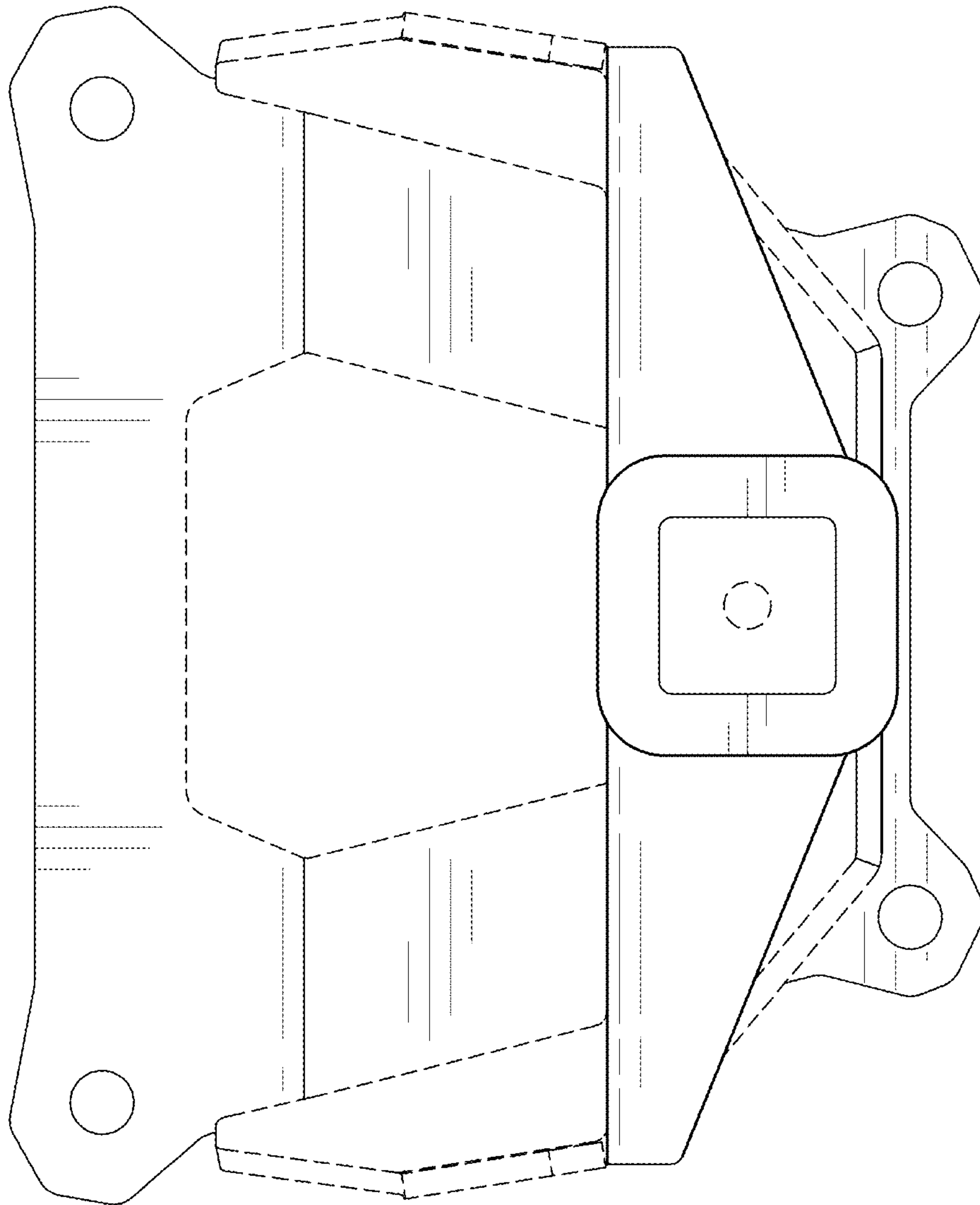


Fig-7

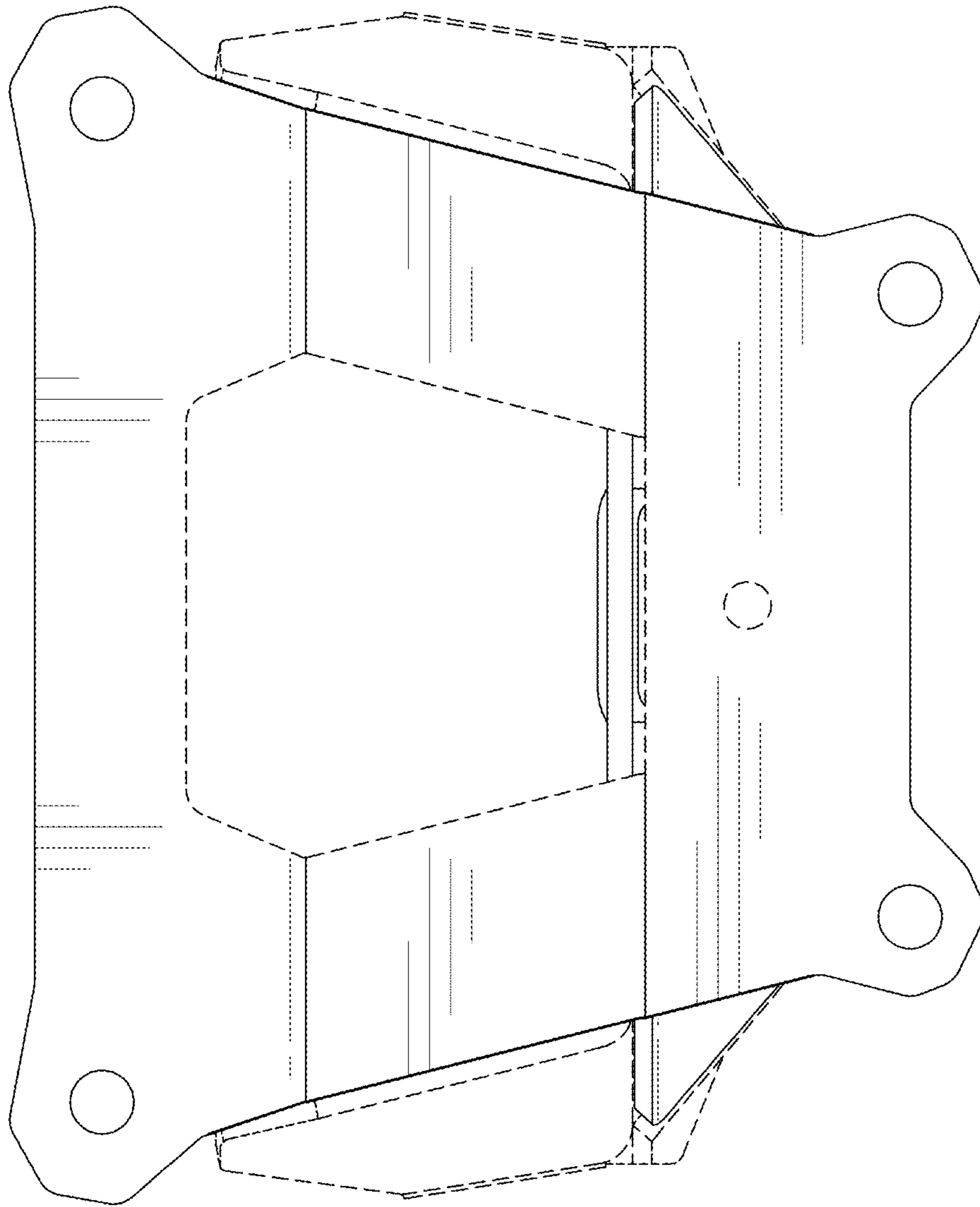
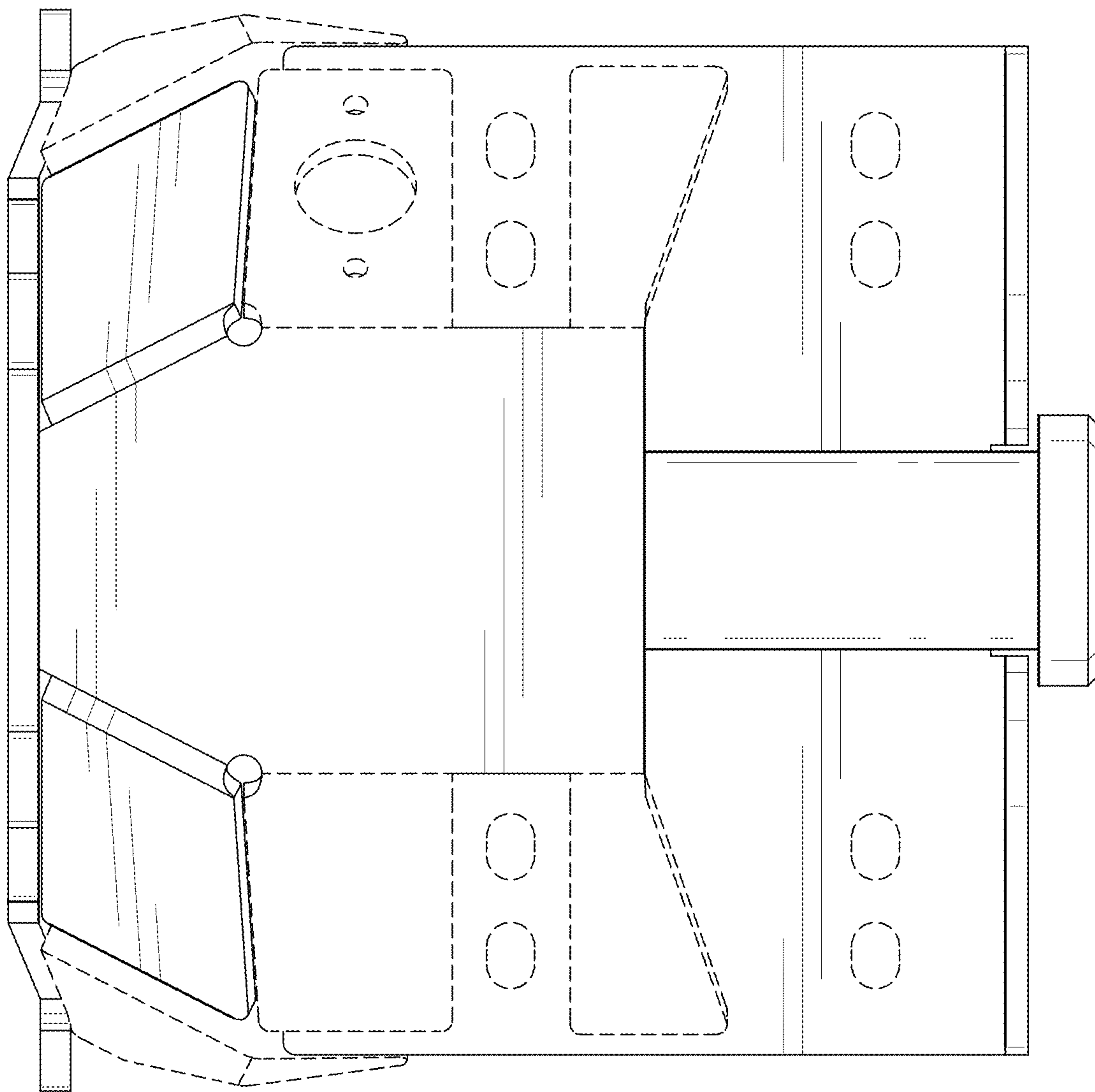


Fig-8

Fig-9



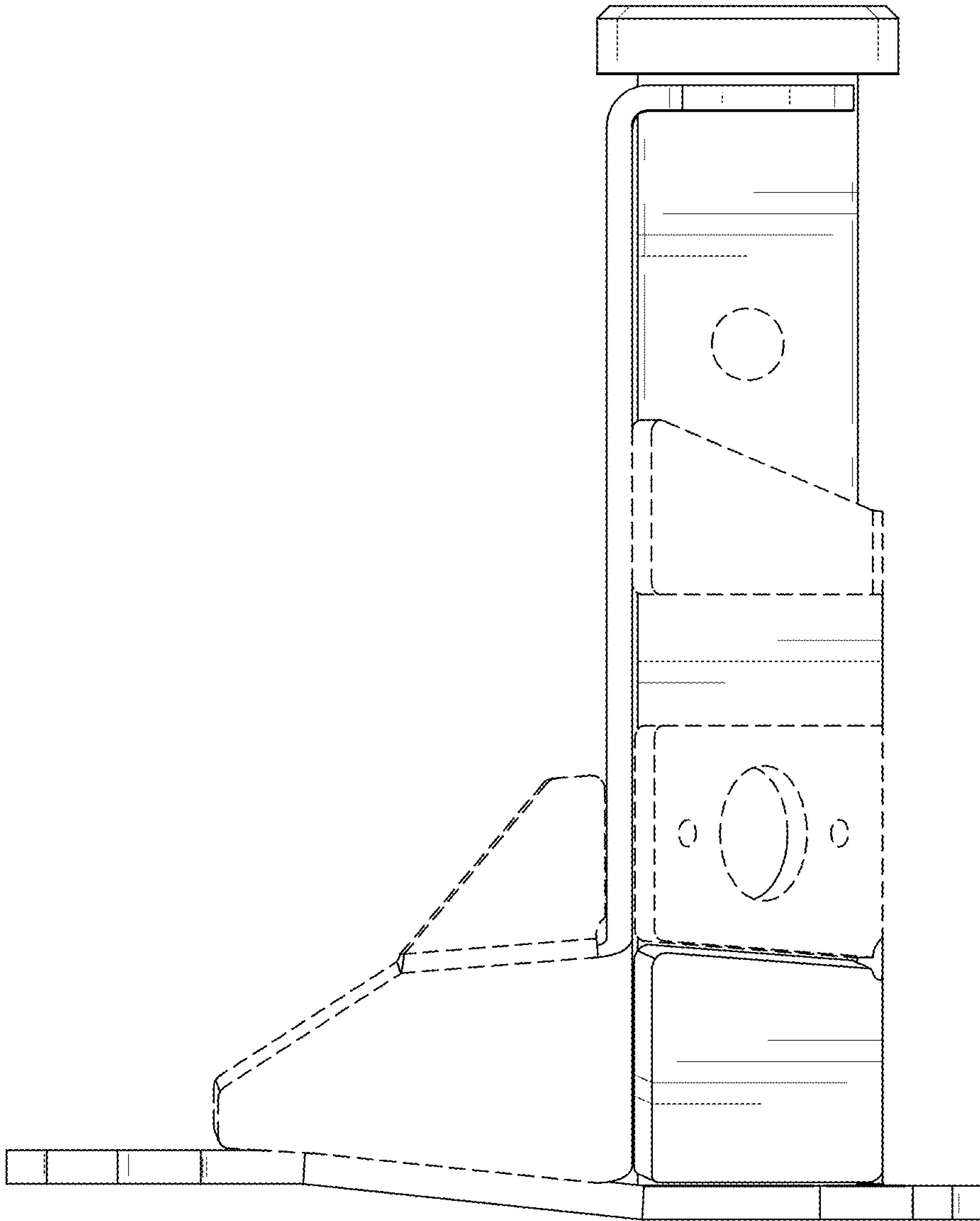


Fig-10

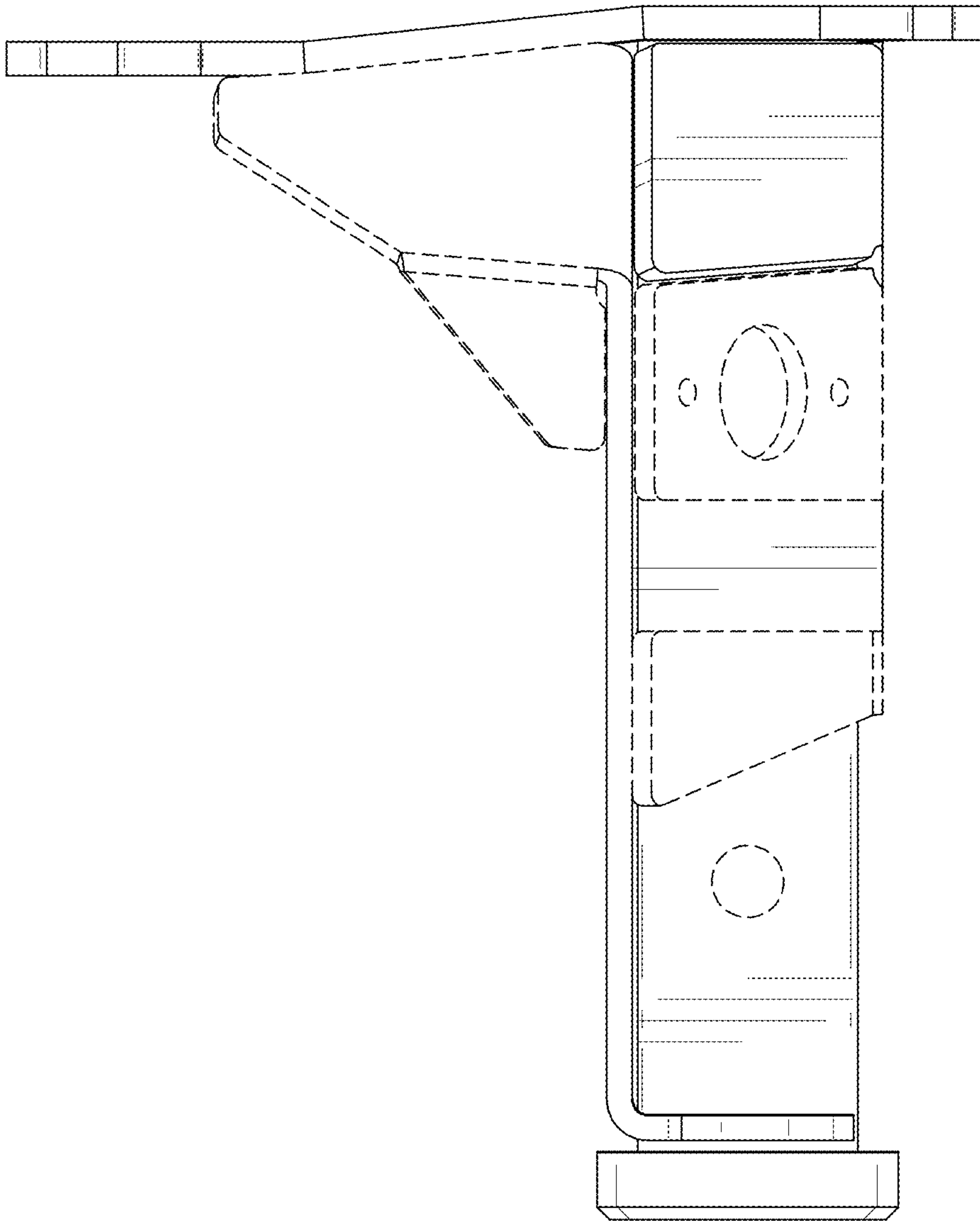


Fig-11

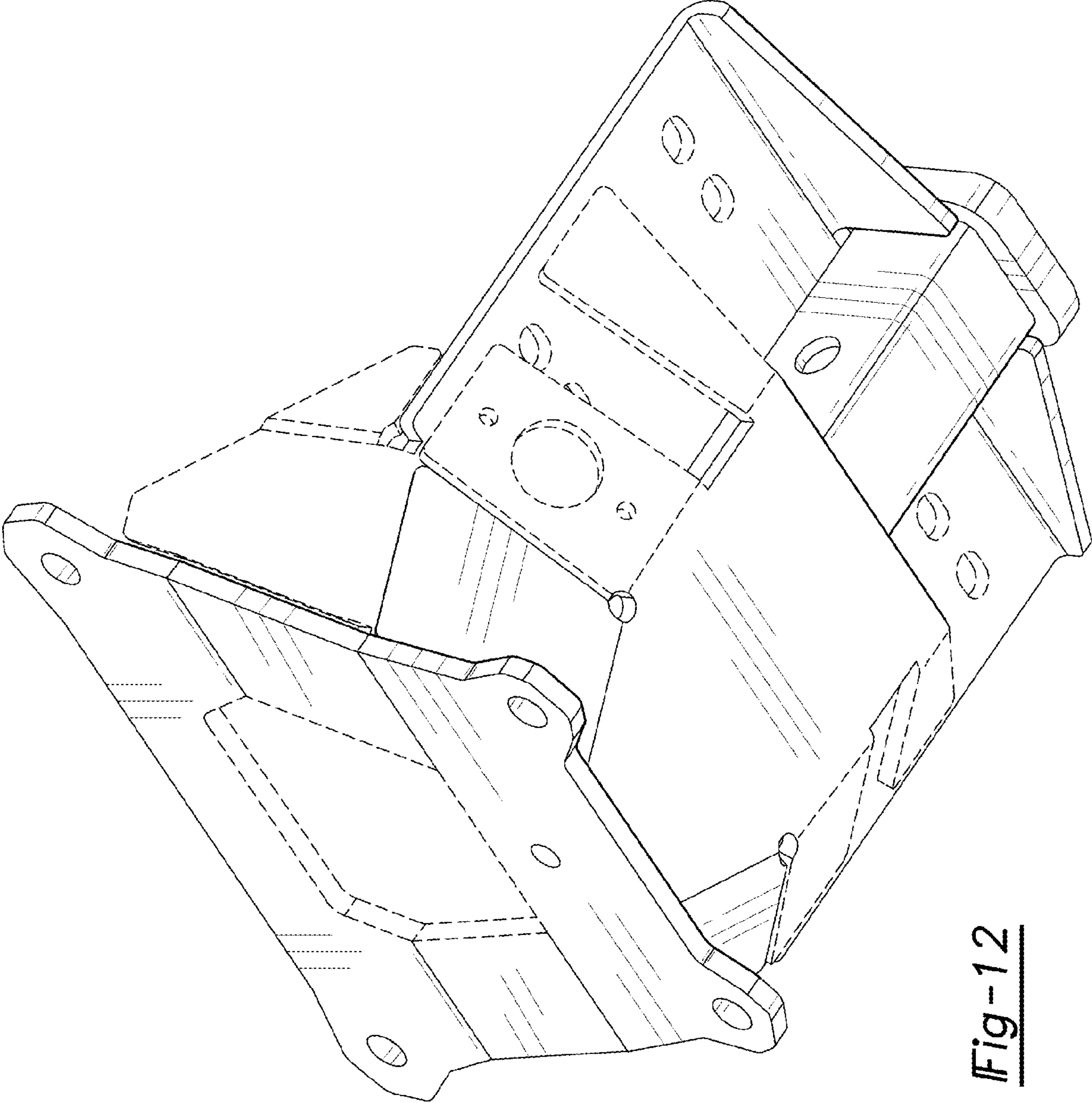


Fig-12

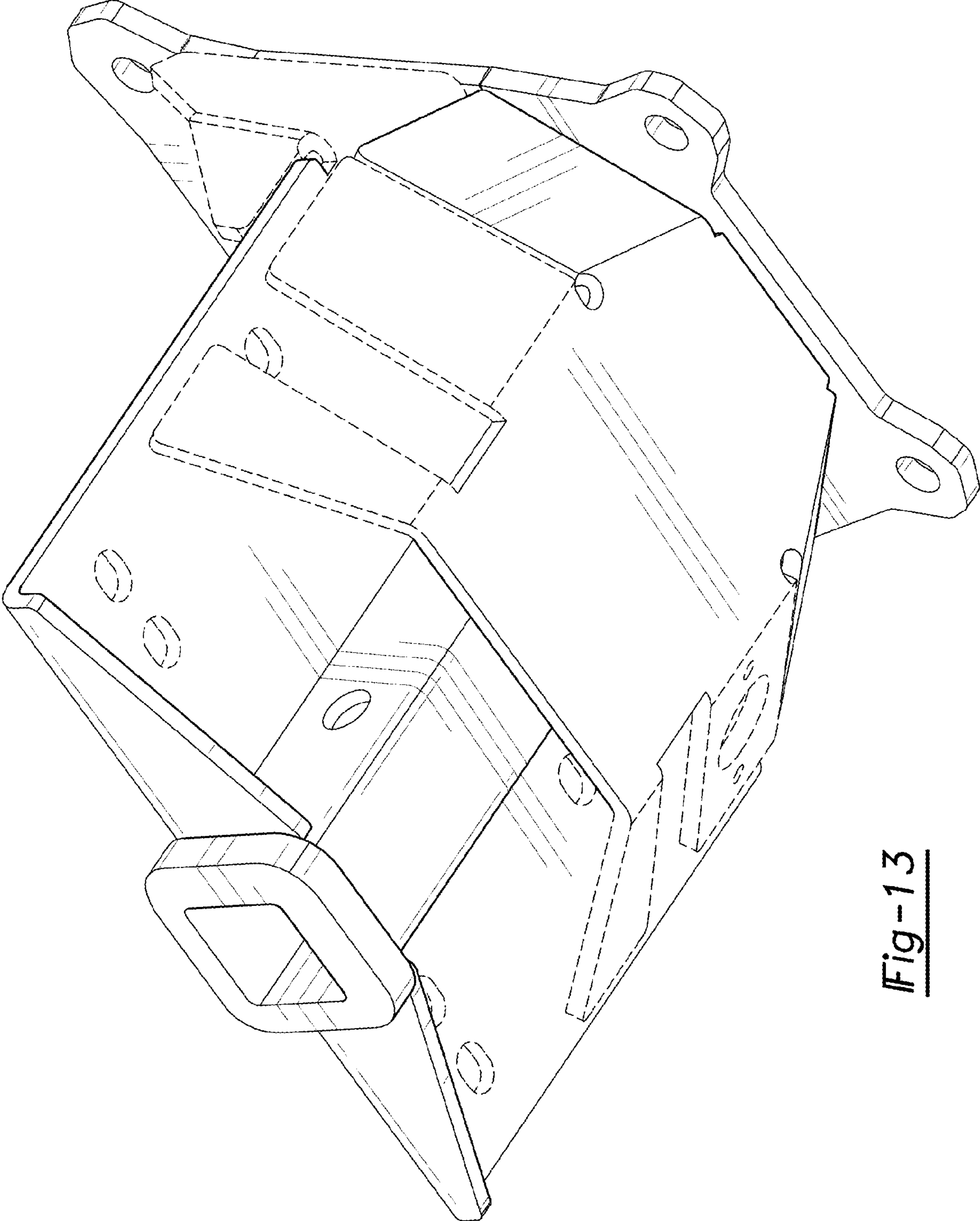


Fig-13