



US00D933328S

(12) **United States Design Patent** (10) **Patent No.:** **US D933,328 S**  
**Johnson** (45) **Date of Patent:** **\*\* Oct. 12, 2021**

(54) **PAINT STATION**

(71) Applicant: **Innovative Tools and Technologies Incorporated**, Centerville, MN (US)  
(72) Inventor: **Bryan T. Johnson**, Centerville, MN (US)  
(73) Assignee: **Innovative Tools and Technologies Incorporated**, Centerville, MN (US)  
(\*\*) Term: **15 Years**

(21) Appl. No.: **29/711,235**  
(22) Filed: **Oct. 29, 2019**  
(51) **LOC (13) Cl.** ..... **12-02**  
(52) **U.S. Cl.**  
USPC ..... **D34/12**  
(58) **Field of Classification Search**  
USPC ..... D34/12  
CPC . A47B 47/024; A47B 47/028; B62B 2202/66;  
B62B 3/14; B62B 3/00; B62B 3/002;  
B62B 3/1444; B62B 3/1416  
See application file for complete search history.

(56) **References Cited**

**U.S. PATENT DOCUMENTS**

D182,483 S *	4/1958	Skinner	.....	D34/21
D183,886 S *	11/1958	Iverson	.....	D34/17
D184,785 S *	3/1959	Wann	.....	D34/17
D491,330 S *	6/2004	Violo	.....	D34/17
D494,777 S *	8/2004	Walk	.....	D6/678.4
D526,105 S *	8/2006	Van Es	.....	D34/21
D678,640 S *	3/2013	Es	.....	D34/21
D679,469 S *	4/2013	Es	.....	D34/21
D679,470 S *	4/2013	Es	.....	D34/21
D707,065 S *	6/2014	Fisher	.....	D6/678.4
10,477,992 B1 *	11/2019	Merschman	.....	A47F 5/0087
2011/0180501 A1 *	7/2011	Lin	.....	A47B 81/00 211/85.8

**OTHER PUBLICATIONS**

Innovative tools and technologies, Mar. 9, 2021, innovative paint station, <https://www.innovativetools.com/product/innovative-paint-station/> (Year: 2021).\*

\* cited by examiner

*Primary Examiner* — Cynthia Ramirez

(74) *Attorney, Agent, or Firm* — Mueting Raasch Group

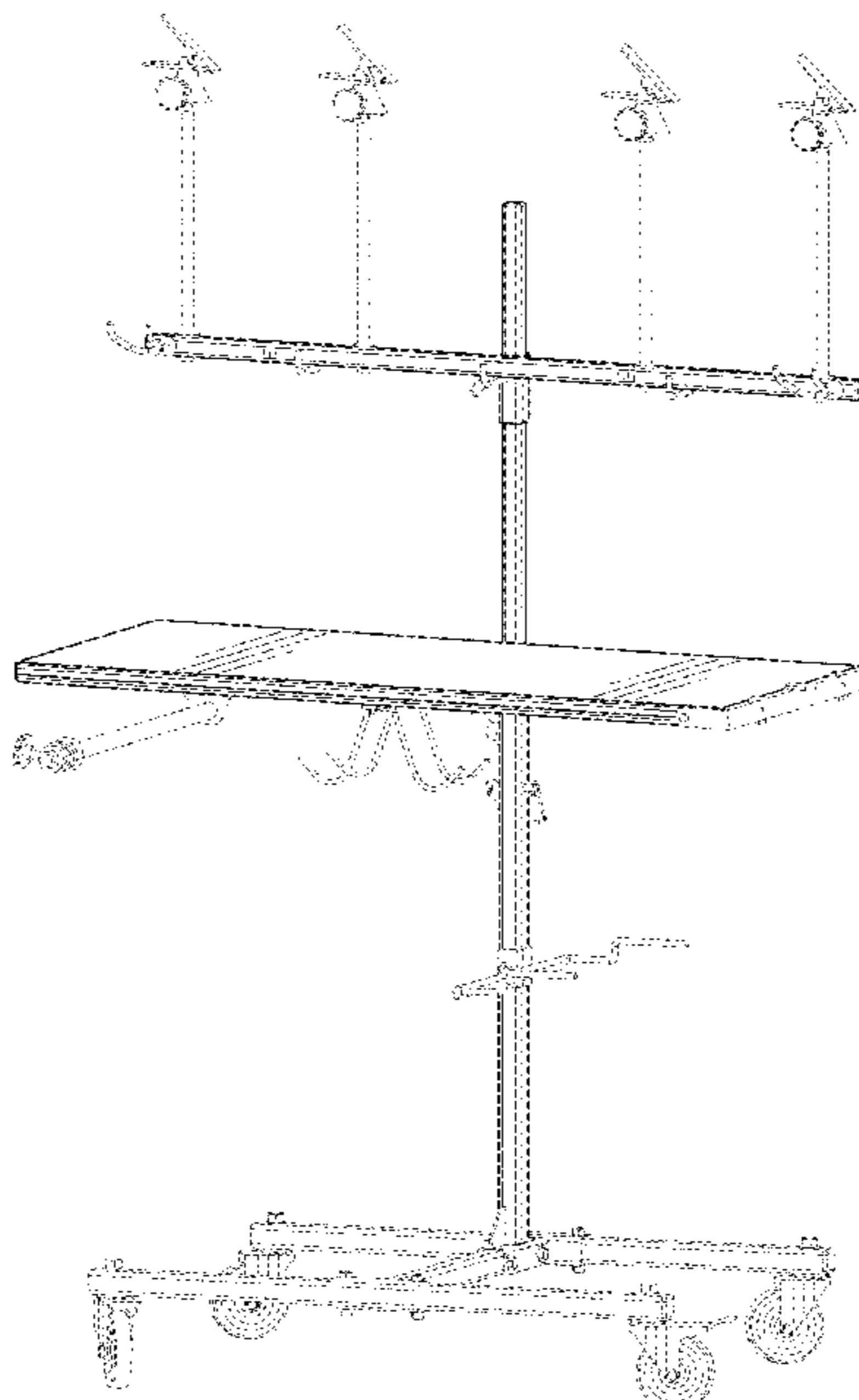
(57) **CLAIM**

The ornamental design for a paint station, as shown and described.

**DESCRIPTION**

FIG. 1 is a front left perspective view of a paint station in accordance with the claimed design;  
FIG. 2 is a front elevation view of the design of FIG. 1;  
FIG. 3 is a rear elevation view of the design of FIG. 1;  
FIG. 4 is a right side elevation view of the design of FIG. 1;  
FIG. 5 is a left side elevation view of the design of FIG. 1; and,  
FIG. 6 is a top plan view of the design of FIG. 1.  
The bottom plan view of the design of FIG. 1 is omitted as it forms no part of the claimed design and/or is cumulative in view of the remaining figures.  
The dash-dash broken lines in the figures (e.g., including at least the fasteners and bolts, as well as the openings for receiving such fasteners and bolts) represent unclaimed subject matter and form no part of the claimed design.  
The labels used herein to describe orientation (e.g., front, rear, left, right) are merely for reference and are not intended to limit the interpretation of the design.

**1 Claim, 6 Drawing Sheets**



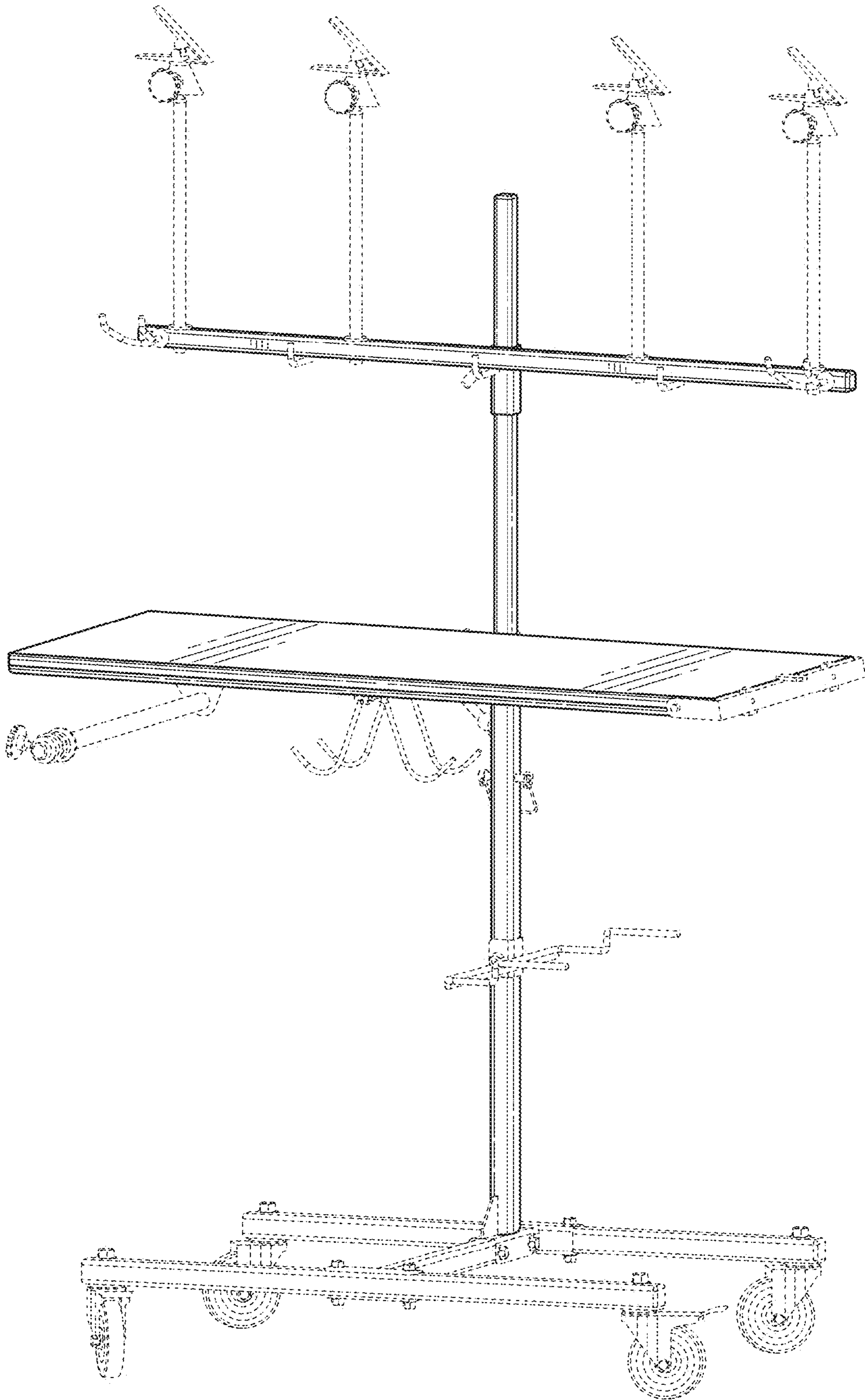


FIG. 1

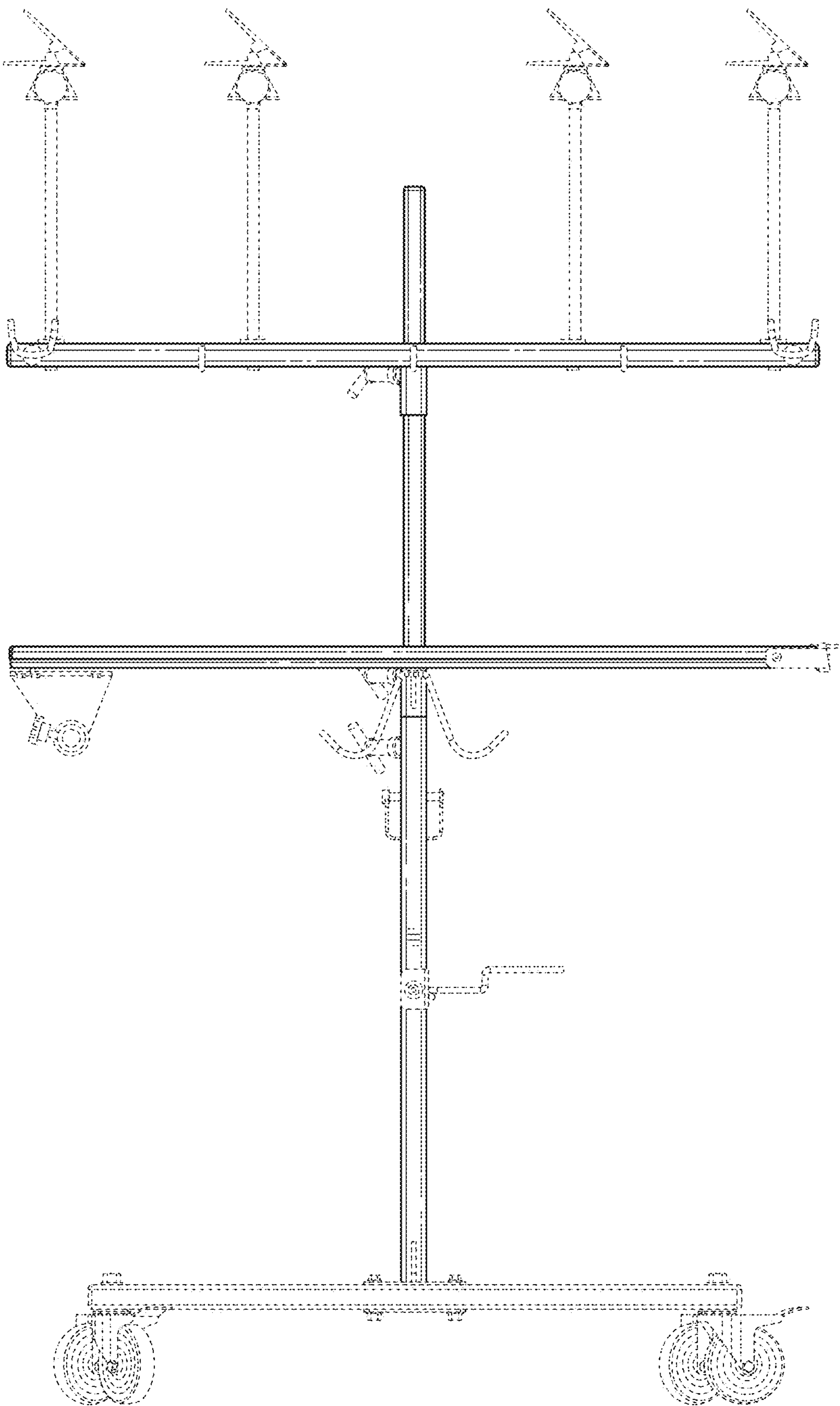


FIG. 2

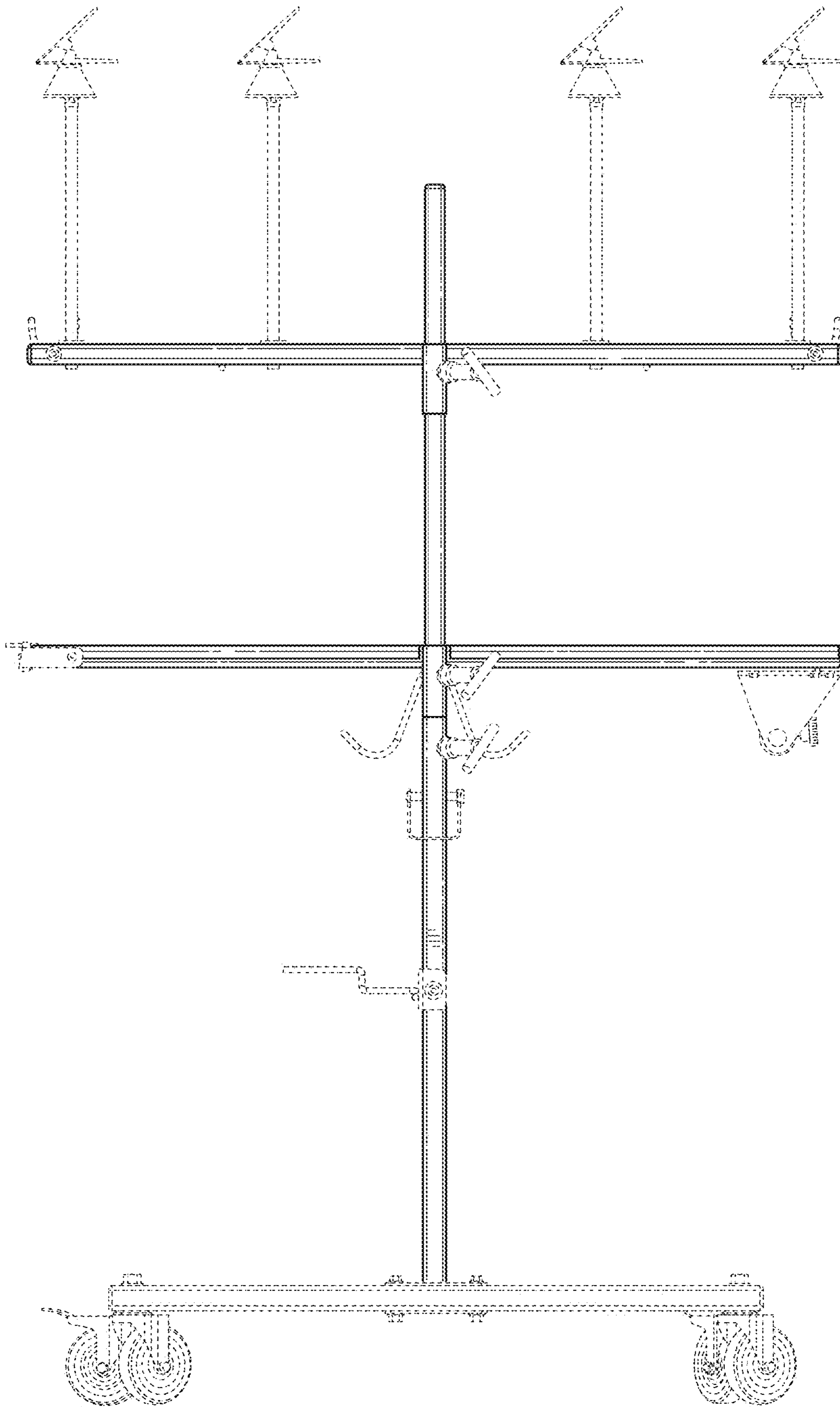


FIG. 3

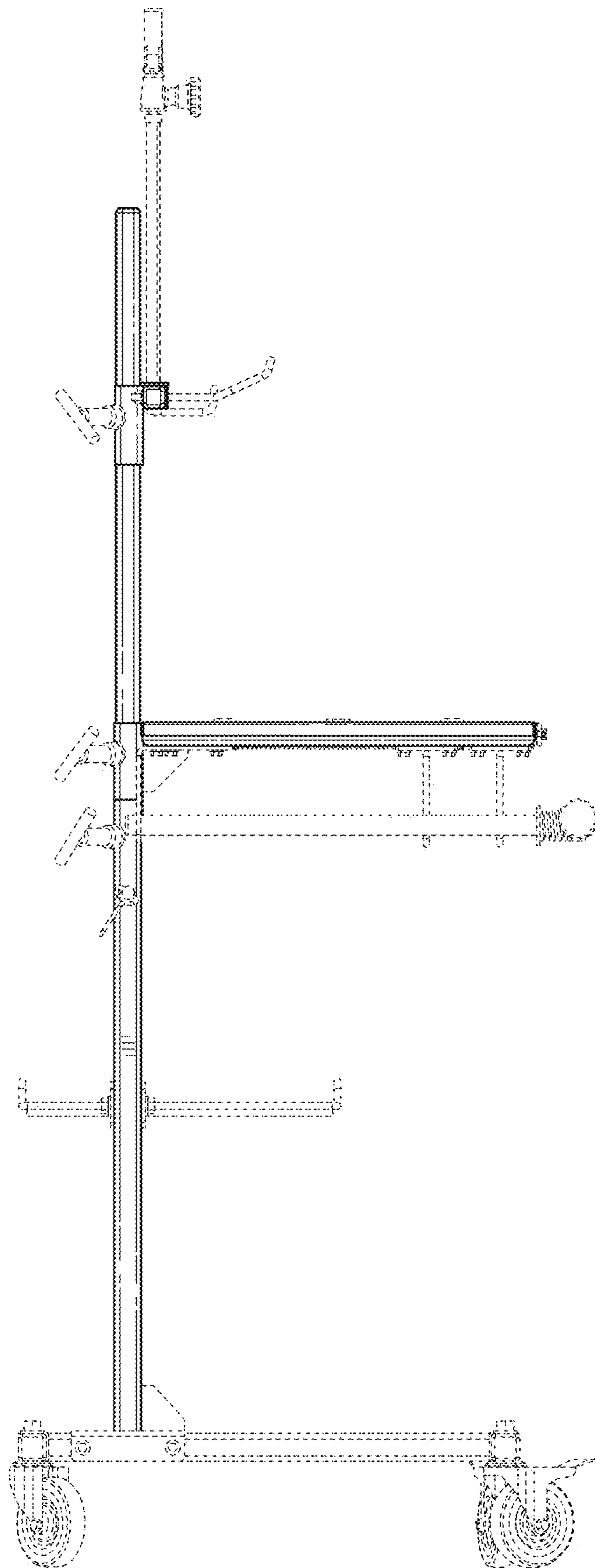


FIG. 4

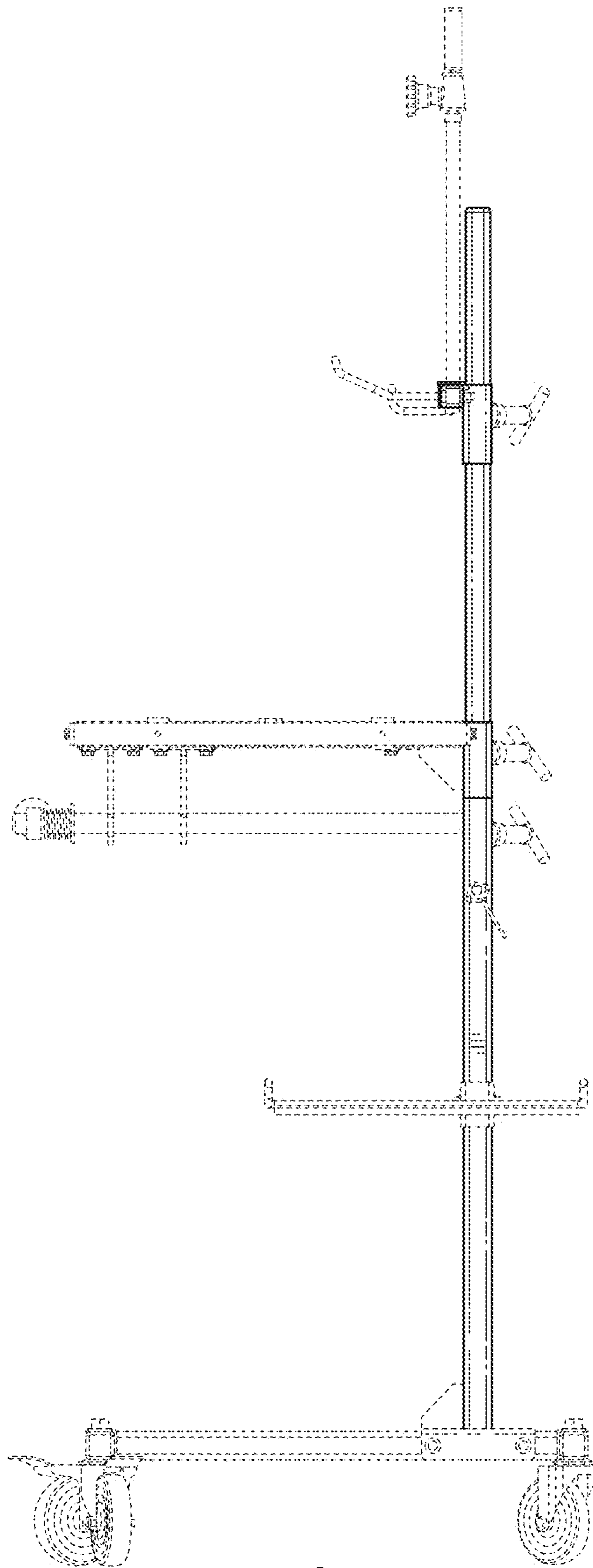


FIG. 5

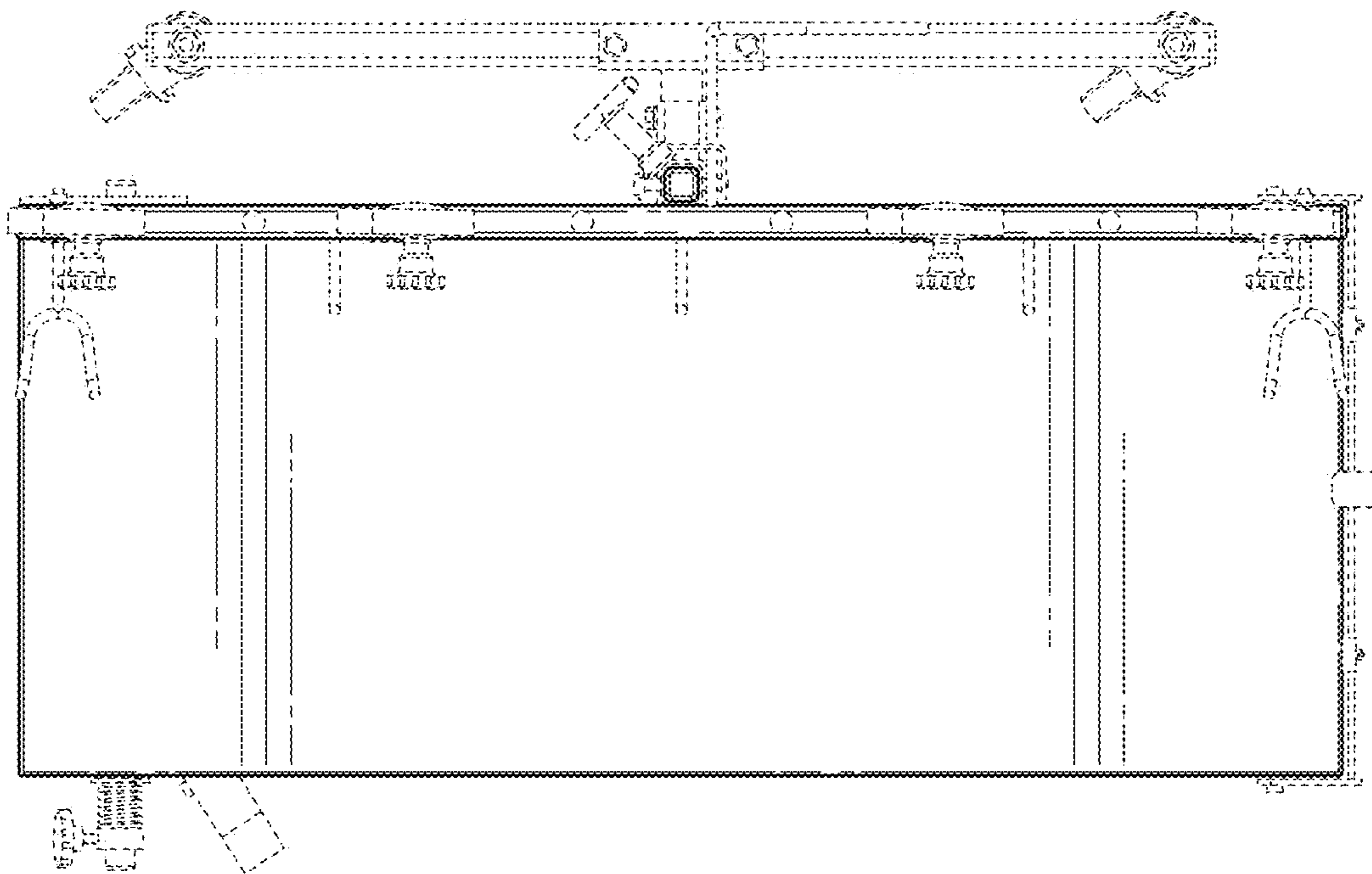


FIG. 6