



US00D933327S

(12) **United States Design Patent** (10) **Patent No.:** **US D933,327 S**
Anderson et al. (45) **Date of Patent:** **** Oct. 12, 2021**

(54) **REFUSE CONTAINER COVER**
(71) Applicant: **Suncast Technologies, LLC**, Palm Beach Gardens, FL (US)
(72) Inventors: **Torrence Anderson**, Overland Park, KS (US); **Kent J. Martin**, Geneva, IL (US); **Stephen Whitehead**, Elgin, IL (US)
(73) Assignee: **Suncast Technologies, LLC**, Palm Beach Garden, FL (US)
(**) Term: **15 Years**
(21) Appl. No.: **29/721,524**
(22) Filed: **Jan. 21, 2020**
(51) **LOC (13) Cl.** **09-09**
(52) **U.S. Cl.**
USPC **D34/11**
(58) **Field of Classification Search**
USPC D34/1, 7, 8, 9, 10, 11
CPC B65F 2001/1653; B65F 1/163; B65F 1/1438; B65F 1/162; B65F 1/1623; B65F 1/004; B65F 1/1473; B65F 2240/138; B65F 1/002; B65F 1/16; B65F 1/04; B65F 2230/134; B65F 1/1607; B65F 1/1615; B65F 1/122; B65D 50/061; B65D 83/04; B65D 53/02; B65D 2543/00083
See application file for complete search history.

D760,464 S * 6/2016 Dyer D34/27
D763,536 S * 8/2016 Walter D34/27
D794,897 S * 8/2017 Dyer D34/27
D821,049 S * 6/2018 Lazzarino D34/17
D830,660 S * 10/2018 Jensen D34/17
2011/0017735 A1* 1/2011 Wang B65F 1/1638
220/211
2011/0049149 A1* 3/2011 Shih B65F 1/1607
220/260
2011/0139781 A1* 6/2011 Jin B65F 1/1615
220/254.5
2018/0305120 A1* 10/2018 Yang B65F 1/163
* cited by examiner

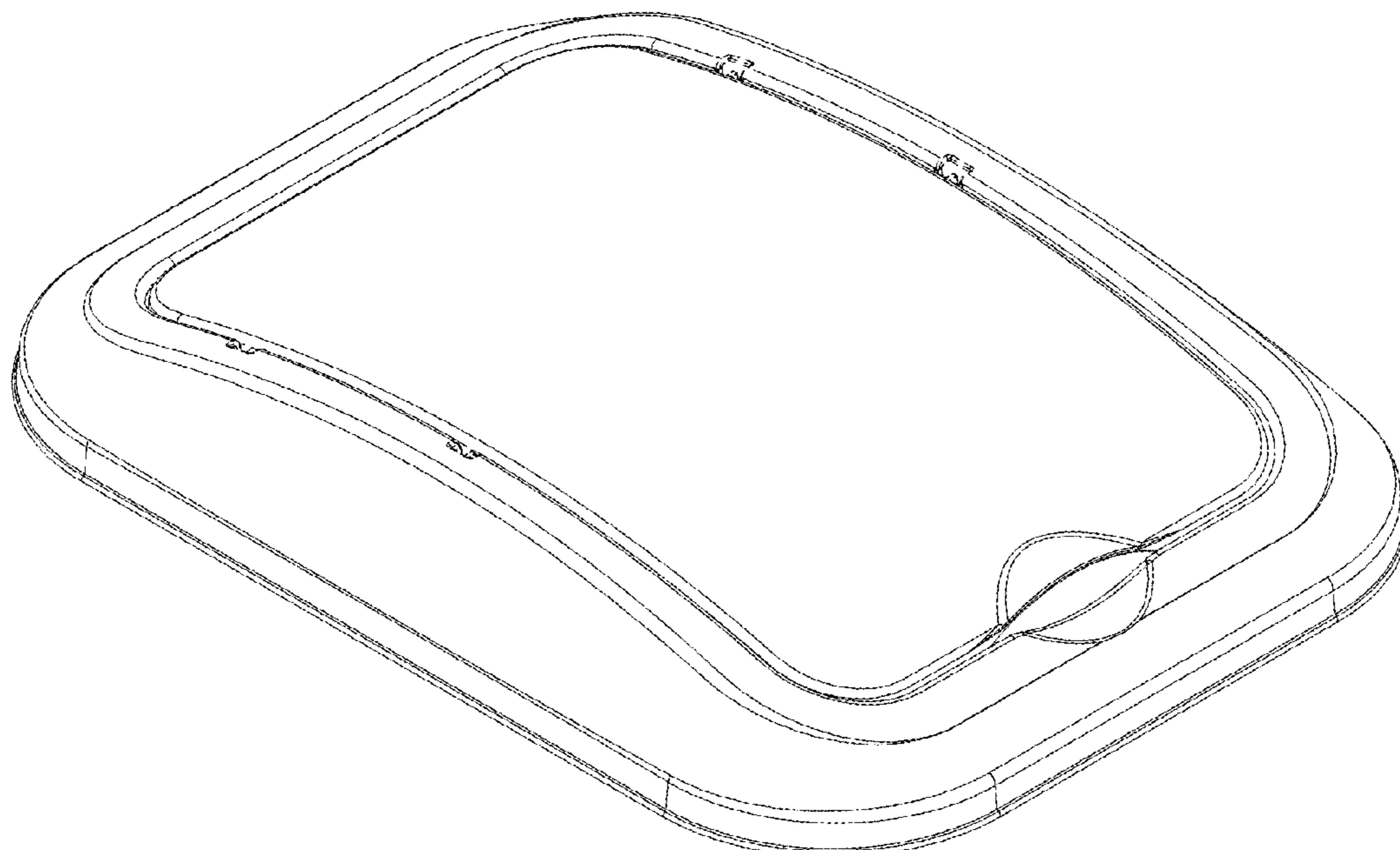
Primary Examiner — Cynthia Ramirez
(74) *Attorney, Agent, or Firm* — McHale & Slavin, P.A.

(57) **CLAIM**
The ornamental design for a refuse container cover, as shown and described.

DESCRIPTION
FIG. 1 is a top left front perspective view of the refuse container cover of the present invention;
FIG. 2 is a top left rear perspective view thereof;
FIG. 3 is a left side view thereof;
FIG. 4 is a right side view thereof;
FIG. 5 is a rear view thereof;
FIG. 6 is a front view thereof;
FIG. 7 is a bottom view thereof;
FIG. 8 is a top view thereof;
FIG. 9 is a top right front perspective view thereof illustrating the lid in an open position; and,
FIG. 10 is a top right front perspective view thereof illustrating the lid in an alternative open position.
The portions of the figures illustrated in broken lines form no part of the claim for the refuse container cover.

(56) **References Cited**
U.S. PATENT DOCUMENTS
D362,932 S * 10/1995 Brightbill D32/37
D381,156 S * 7/1997 Kent D34/1
D733,988 S * 7/2015 Raninen D34/27

1 Claim, 10 Drawing Sheets



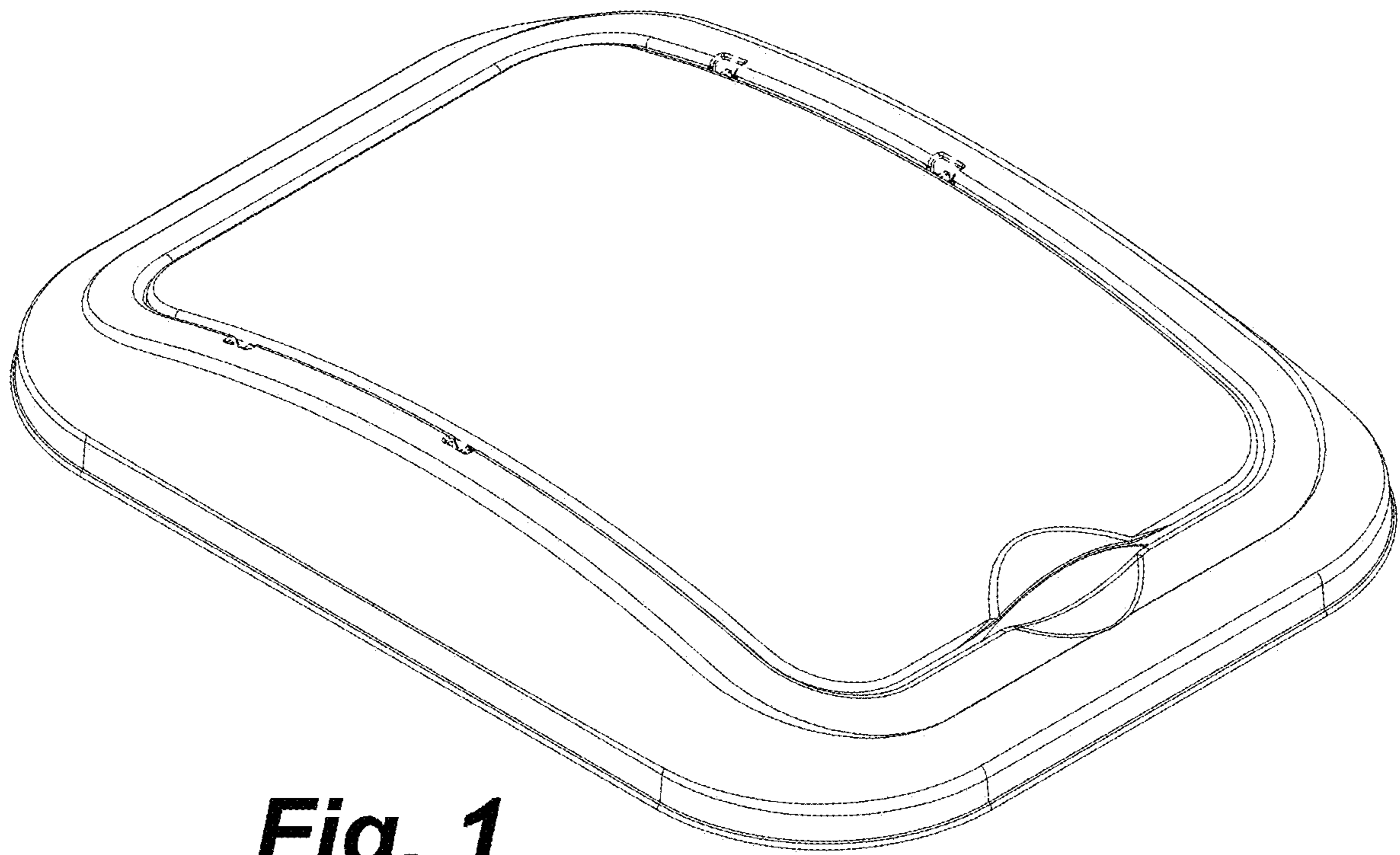


Fig. 1

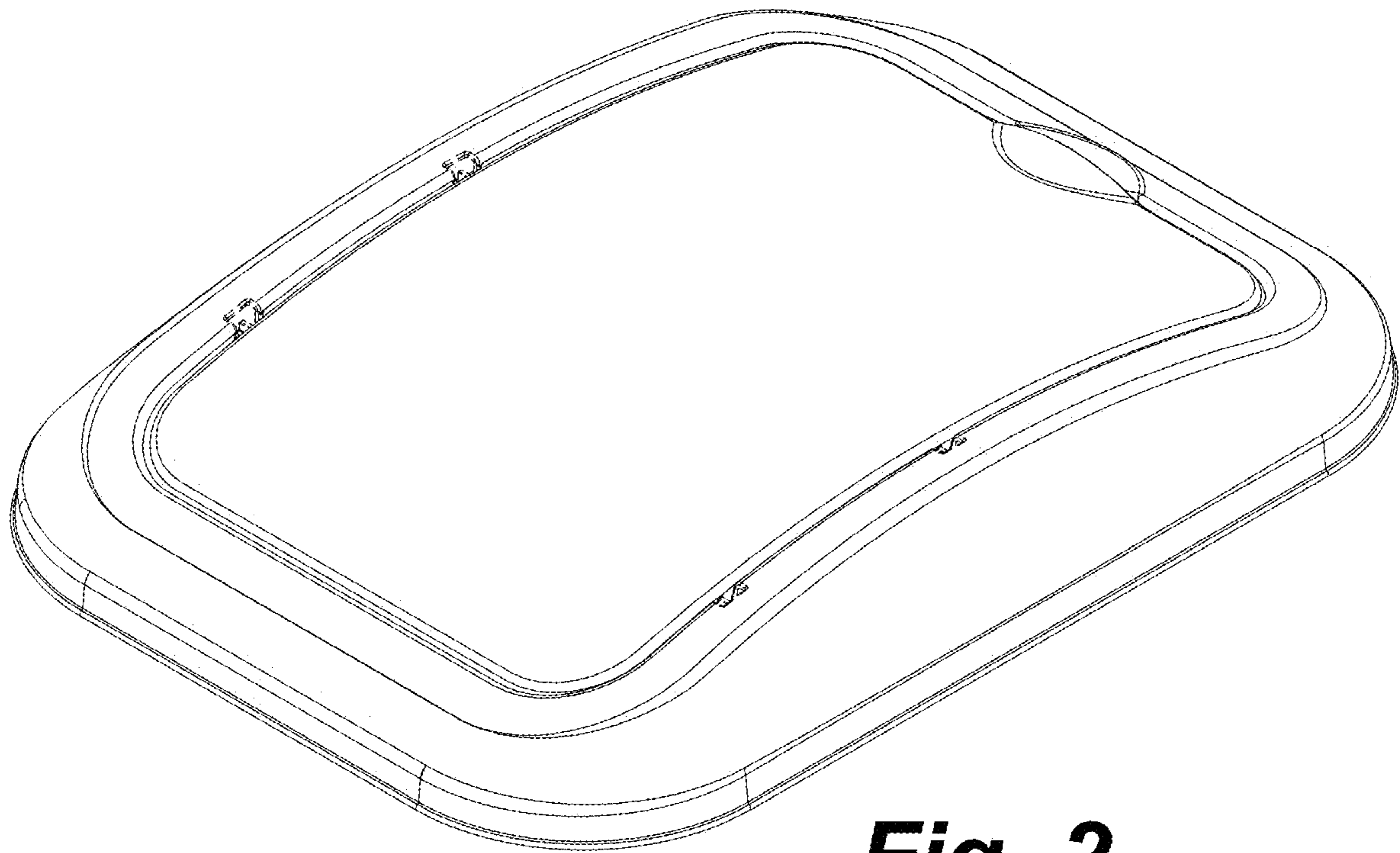


Fig. 2

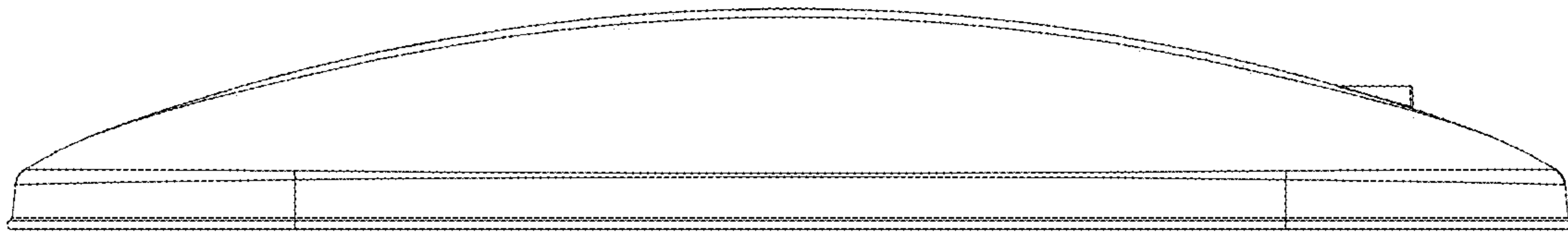


Fig. 3

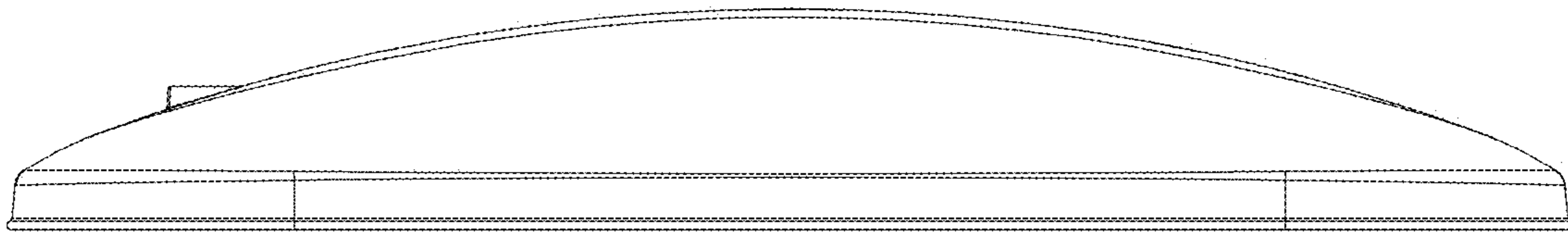


Fig. 4

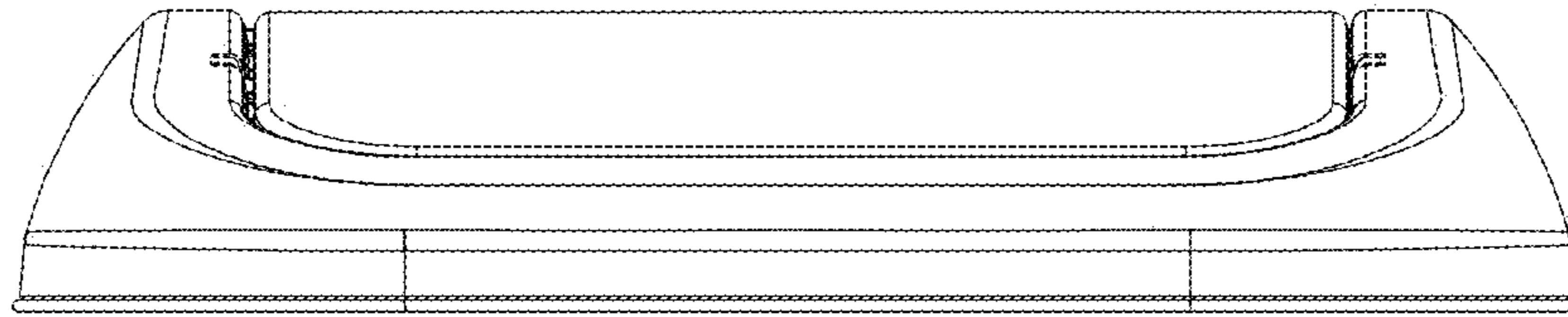


Fig. 5

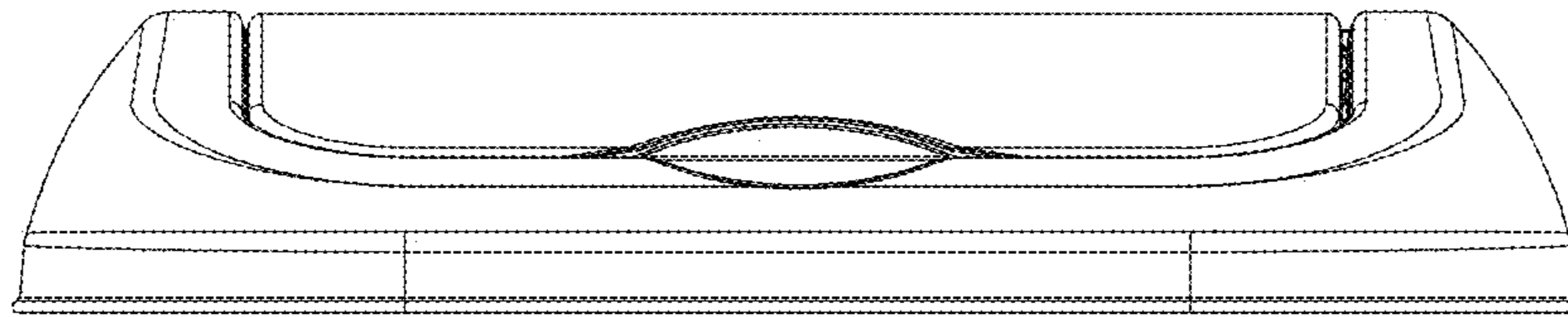


Fig. 6

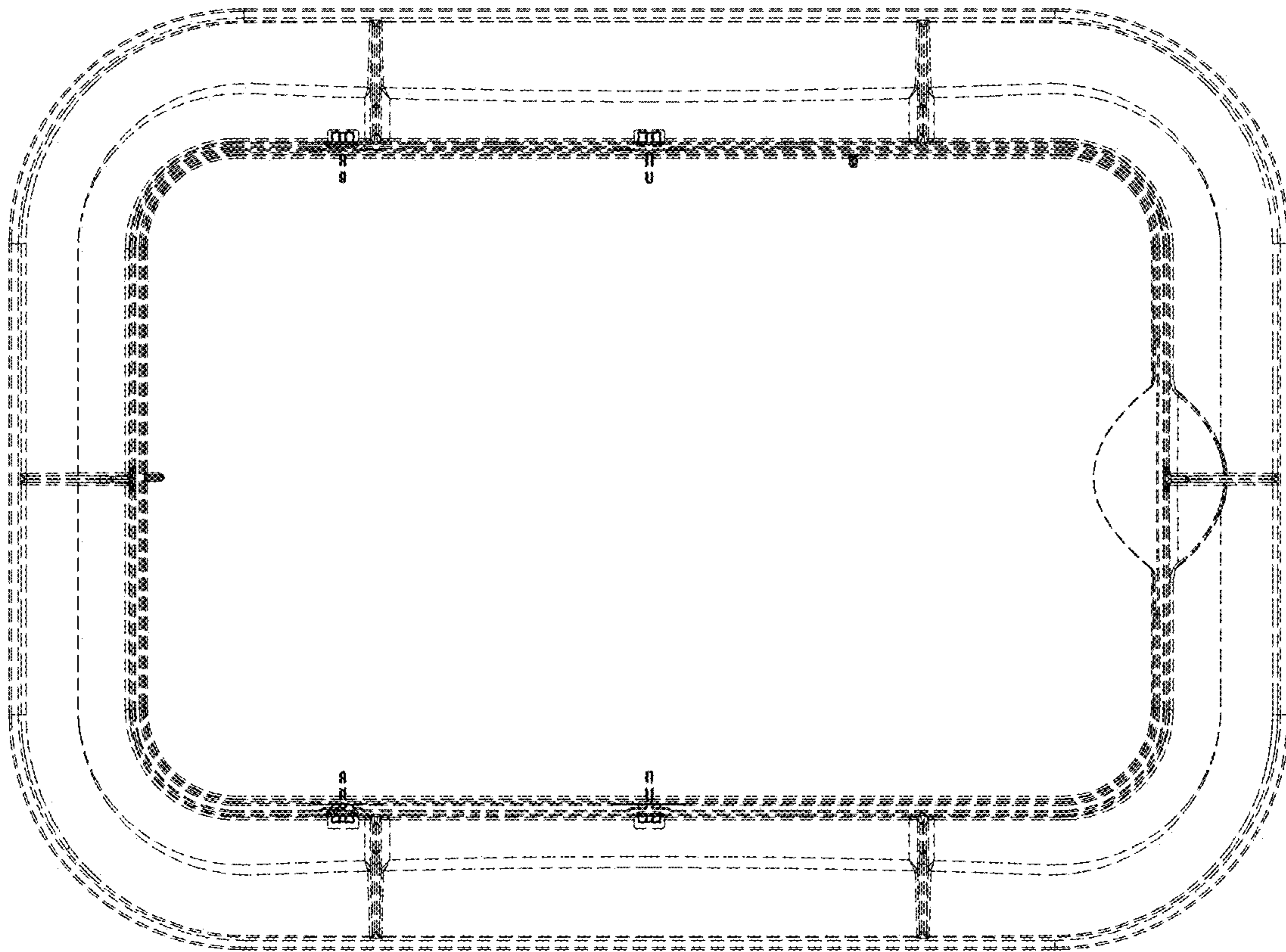


Fig. 7

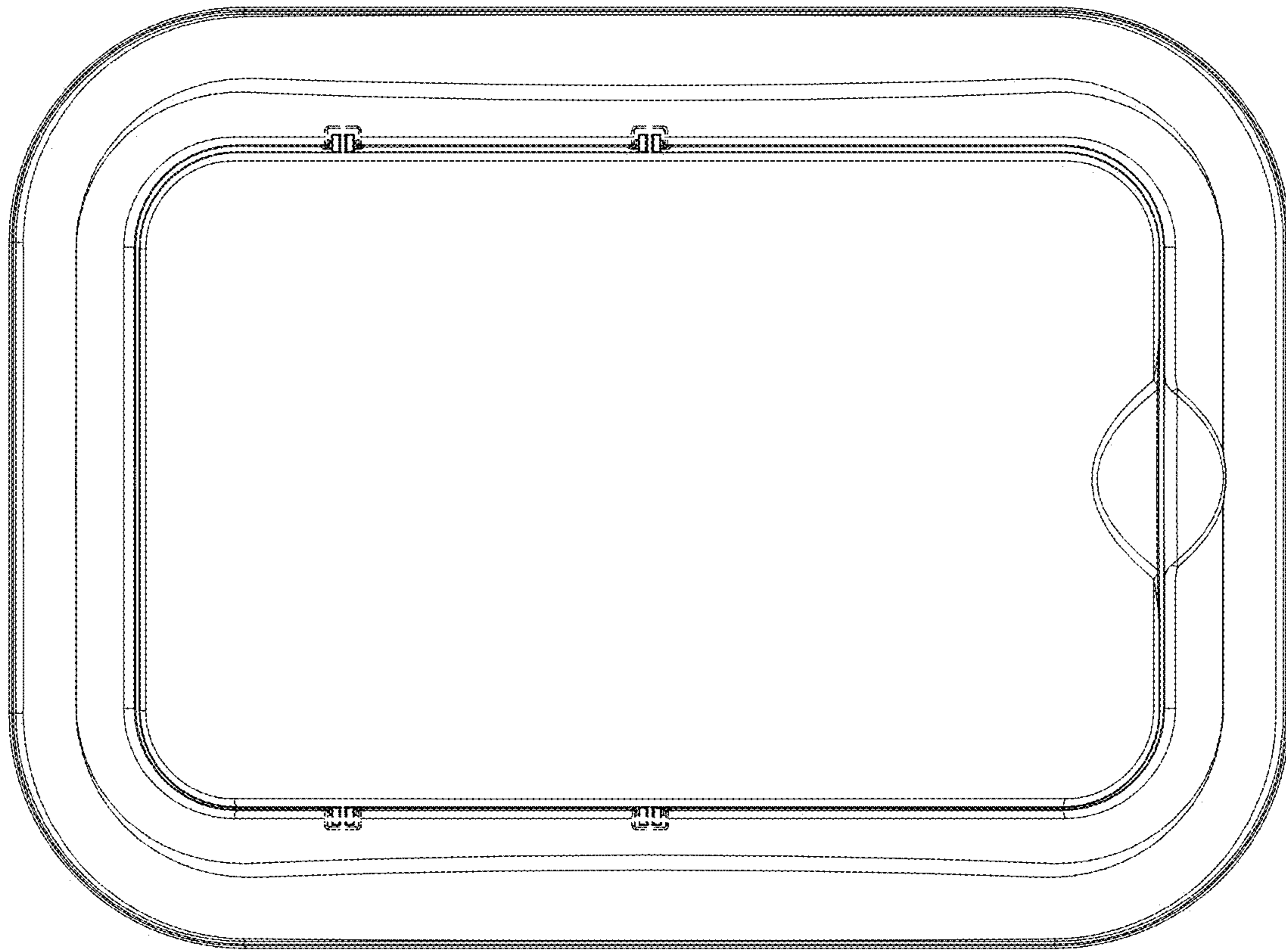


Fig. 8

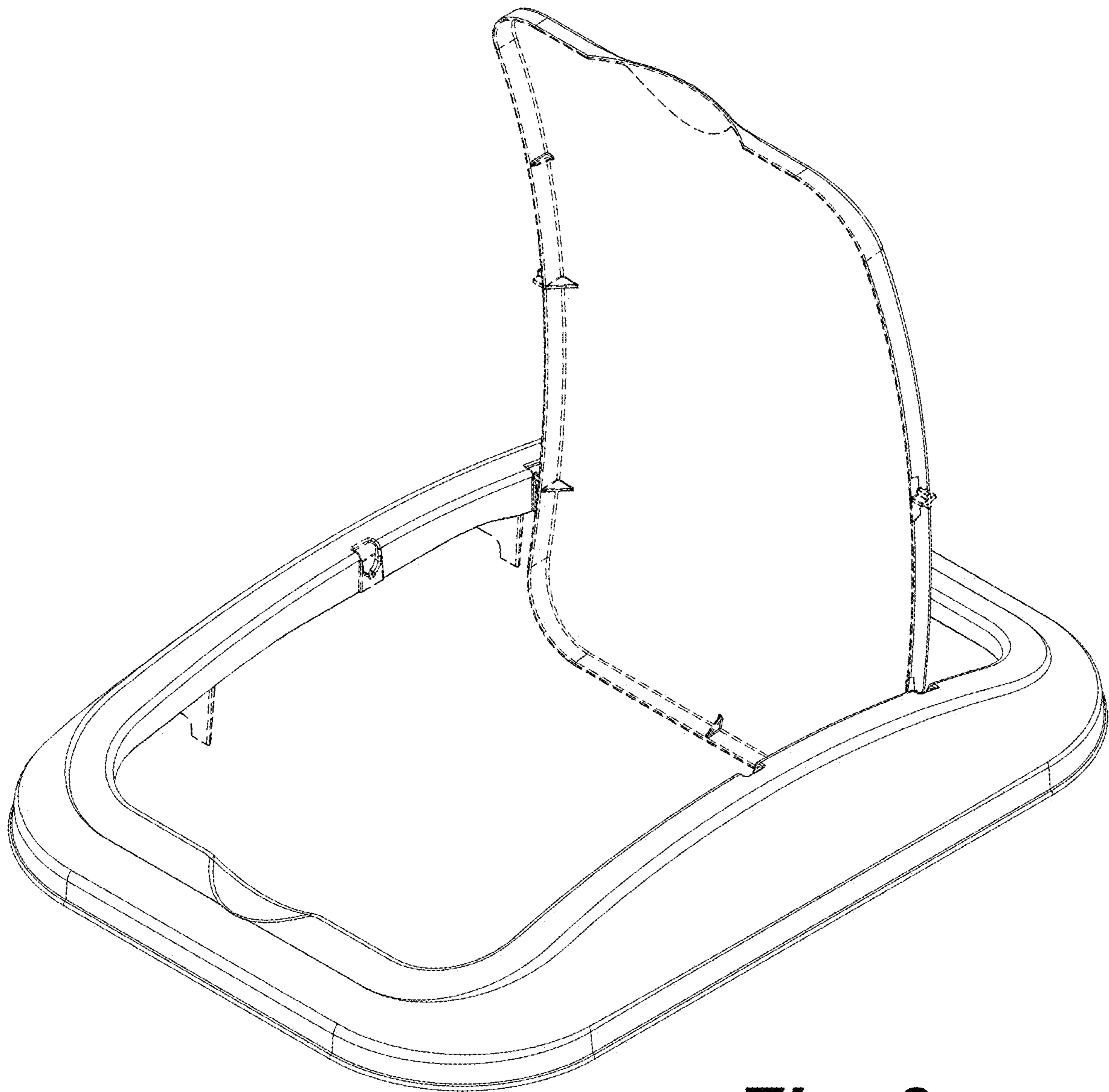


Fig. 9

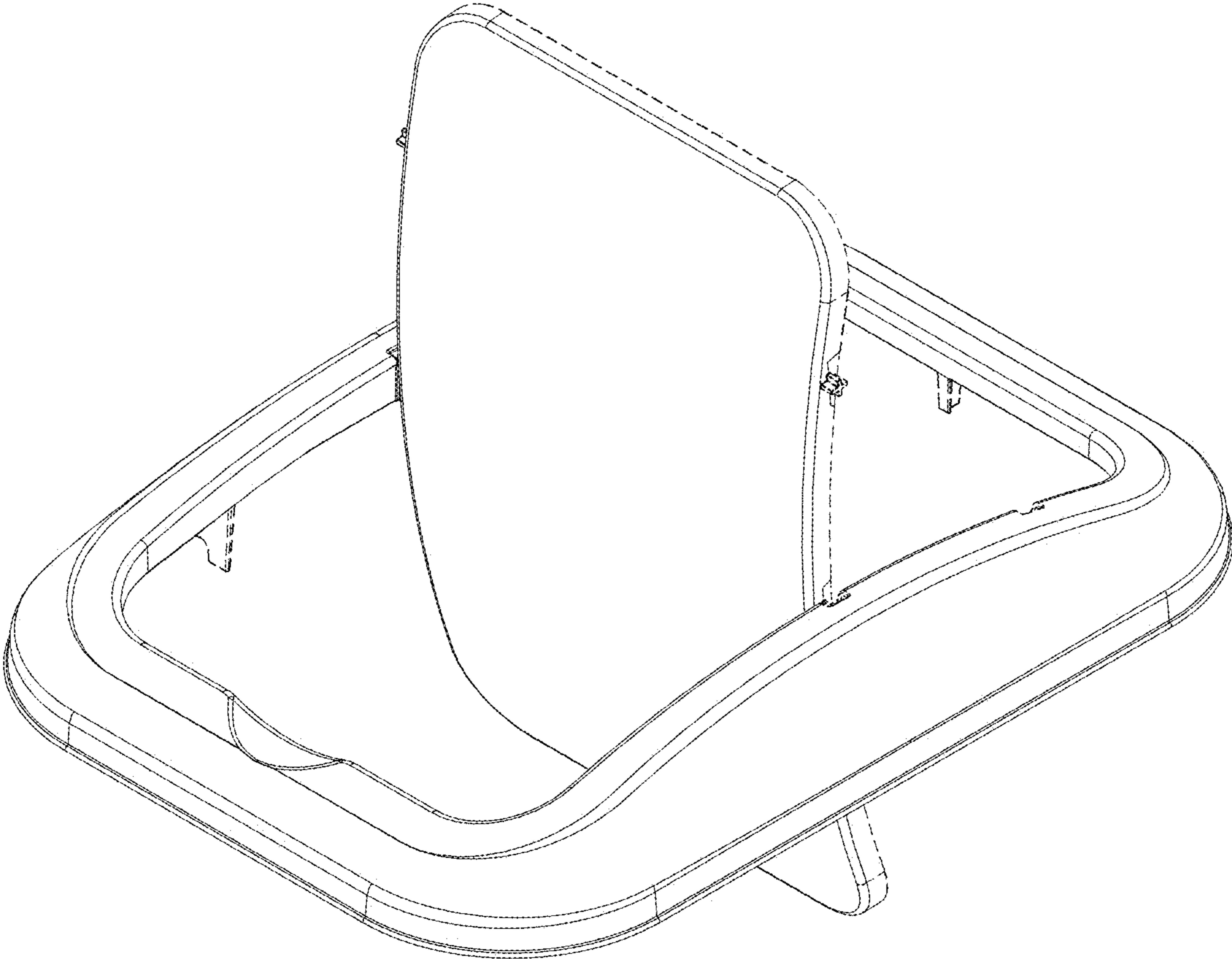


Fig. 10