



US00D933326S

(12) **United States Design Patent** (10) **Patent No.:** **US D933,326 S**  
**Wilson** (45) **Date of Patent:** **\*\* Oct. 12, 2021**

(54) **SINK CRADLE**  
(71) Applicant: **Spectrum Diversified Designs, LLC**,  
Streetsboro, OH (US)  
(72) Inventor: **Courtney Wilson**, Chardon, OH (US)  
(73) Assignee: **SPECTRUM DIVERSIFIED  
DESIGNS, LLC**, Streetsboro, OH (US)  
(\*\*) Term: **15 Years**  
(21) Appl. No.: **29/701,115**  
(22) Filed: **Aug. 8, 2019**  
(51) **LOC (13) Cl.** ..... **07-05**  
(52) **U.S. Cl.**  
USPC ..... **D32/55**  
(58) **Field of Classification Search**  
USPC ..... D3/306; D6/537, 540, 553, 566, 675.5;  
D14/253; D32/55  
See application file for complete search history.

D917,920 S \* 5/2021 Dittrich ..... D6/553  
D917,921 S \* 5/2021 Dittrich ..... D6/553  
D919,217 S \* 5/2021 Wilson ..... D32/55  
D919,322 S \* 5/2021 Dittrich ..... D6/553  
D923,371 S \* 6/2021 Liang ..... D6/675.5

**OTHER PUBLICATIONS**

Stainless Steel Suction <https://www.target.com/p/stainless-steel-large-suction-sink-caddy-silver-made-by-design-8482/-/A-54348801> (Year: 2020).  
Sponge and Brush Holder <https://pilottop.com/products/spectrum-diversified-contempo-sponge-brush-holder-modern-sponge-holder-kitchen-organizer-vertical-scrub-brush-holder-secure-suction-seals-to-kitchen-sinks> (Year: 2021).  
Spectrum Steel Grid Medium Over-the-Door Basket in Satin Nickel, Amazon website, <https://www.amazon.com/Spectrum-Diversified-Storage-Basket-Cabinet/dp/B00CLFKTU8>, dated Jul. 18, 2019, 1 page.

\* cited by examiner

*Primary Examiner* — Michelle E. Wilson  
*Assistant Examiner* — Richard E Yenchesky  
(74) *Attorney, Agent, or Firm* — Tucker Ellis LLP

(56) **References Cited**

**U.S. PATENT DOCUMENTS**

D322,002 S \* 12/1991 Emery ..... D6/566  
D413,469 S \* 9/1999 Hampshire ..... D6/540  
D453,651 S \* 2/2002 Snell ..... D6/537  
D563,708 S \* 3/2008 Snell ..... D6/566  
D718,510 S \* 11/2014 Goodman ..... D32/55  
D762,397 S \* 8/2016 Goodman ..... D6/566  
D773,846 S \* 12/2016 Chang ..... D6/540  
D785,368 S \* 5/2017 Goodman ..... D6/566  
D808,603 S \* 1/2018 Yuan ..... D32/55  
D808,604 S \* 1/2018 Yuan ..... D32/55  
D811,677 S \* 2/2018 Goodman ..... D32/55  
D811,678 S \* 2/2018 Goodman ..... D32/55  
D813,484 S \* 3/2018 Goodman ..... D32/55  
D826,502 S \* 8/2018 Goodman ..... D32/55  
D832,614 S \* 11/2018 Jun ..... D6/566  
D844,989 S \* 4/2019 Wilson ..... D3/306  
D876,424 S \* 2/2020 Ryan ..... D14/253  
D877,439 S \* 3/2020 Stevens ..... D32/55  
D902,625 S \* 11/2020 Ghiorghie ..... D6/566

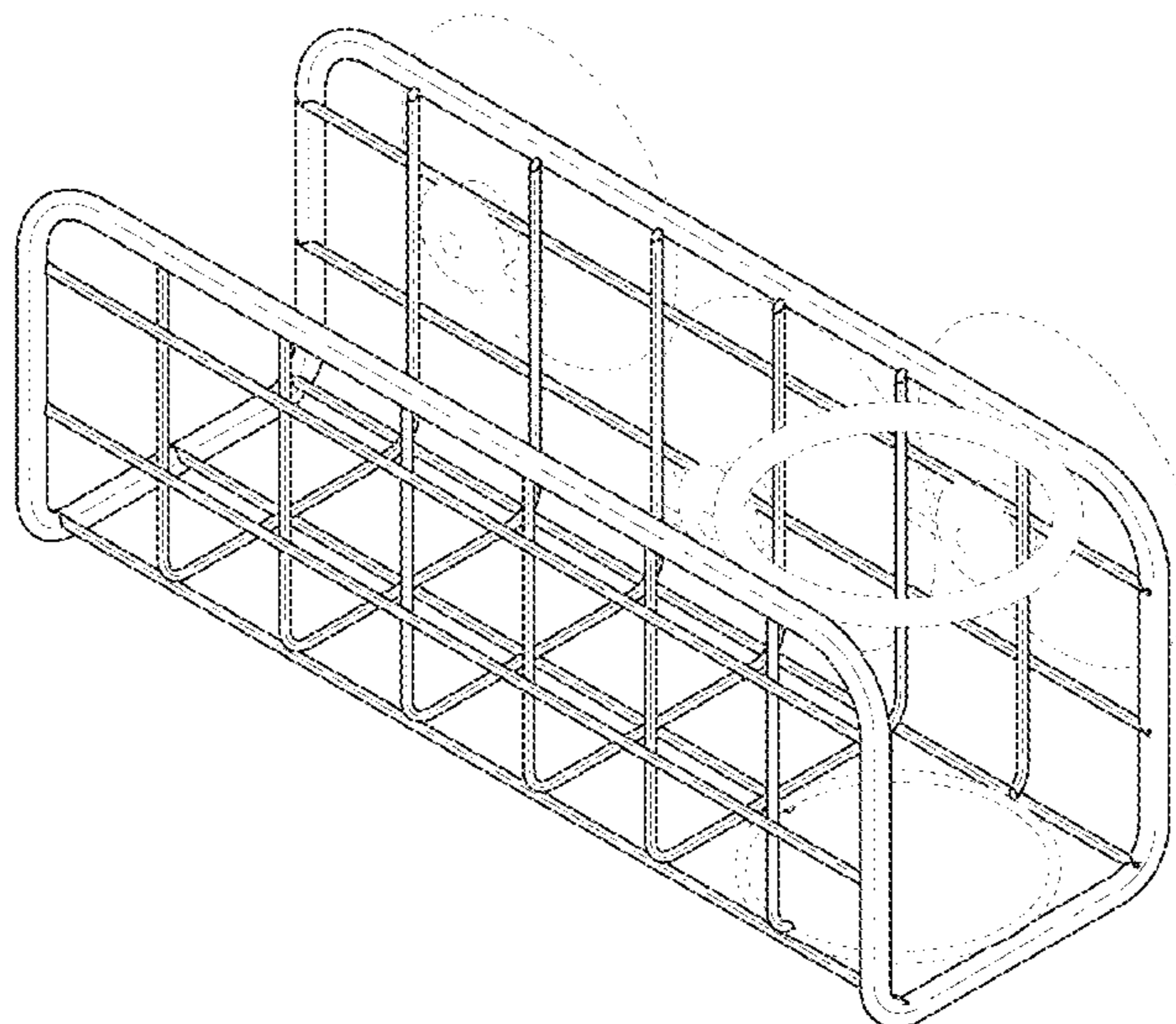
(57) **CLAIM**

The ornamental design for a sink cradle, as shown and described.

**DESCRIPTION**

FIG. 1 is a perspective view of a sink cradle showing my new design.  
FIG. 2 is a front view thereof.  
FIG. 3 is a rear view thereof.  
FIG. 4 is a left side view thereof.  
FIG. 5 is a right side view thereof.  
FIG. 6 is a top view thereof; and,  
FIG. 7 is a bottom view thereof.  
The broken lines show portions of the design that form no part of the claimed design.

**1 Claim, 4 Drawing Sheets**



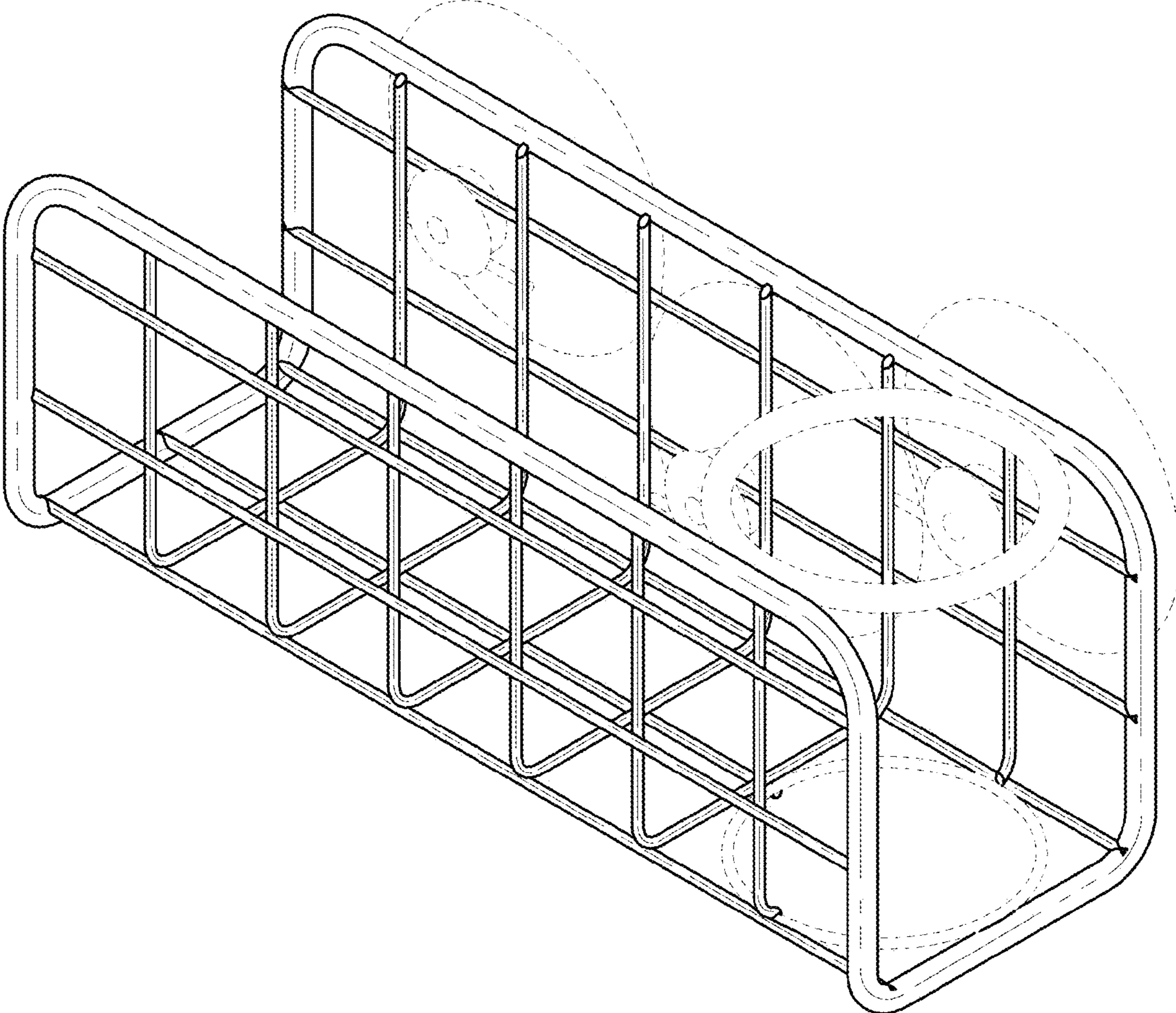


FIG. 1

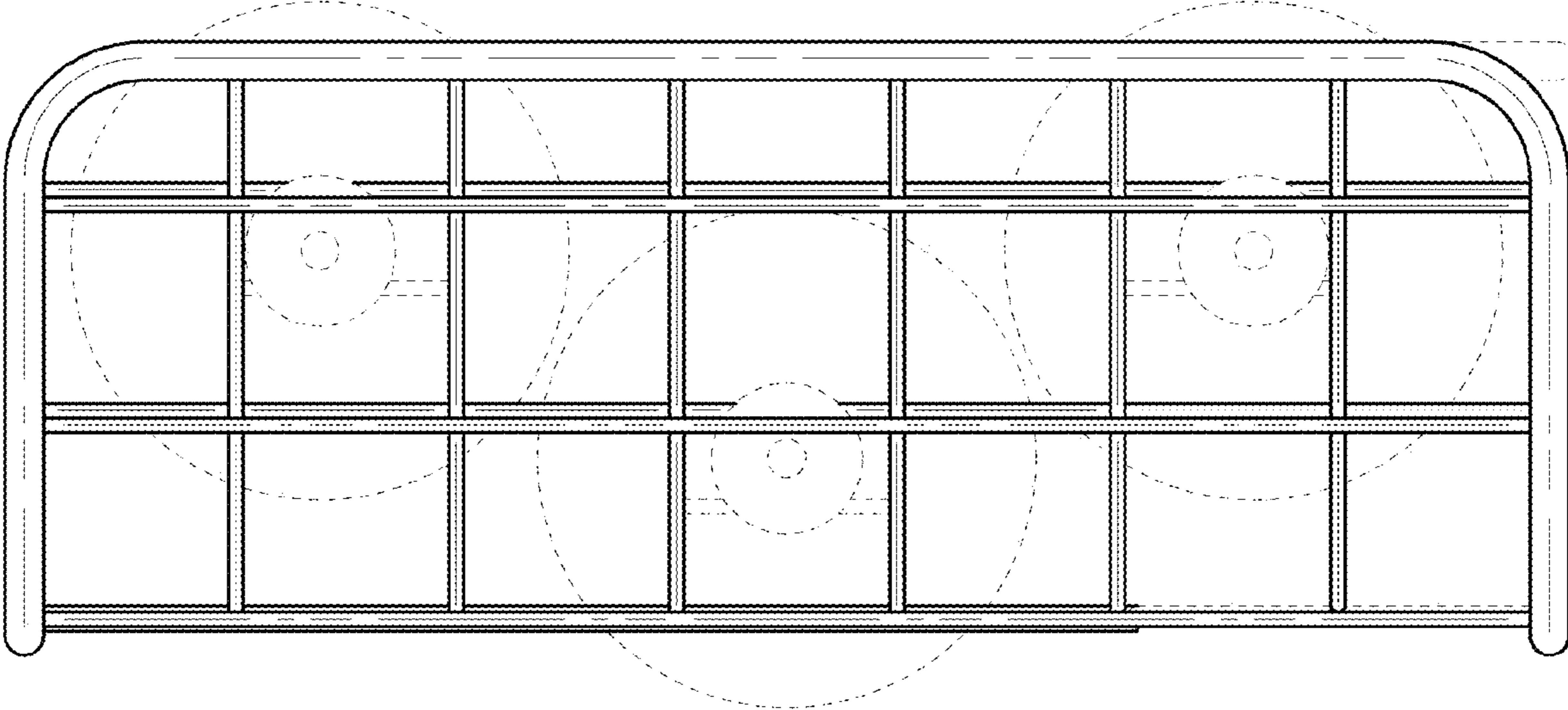


FIG. 2

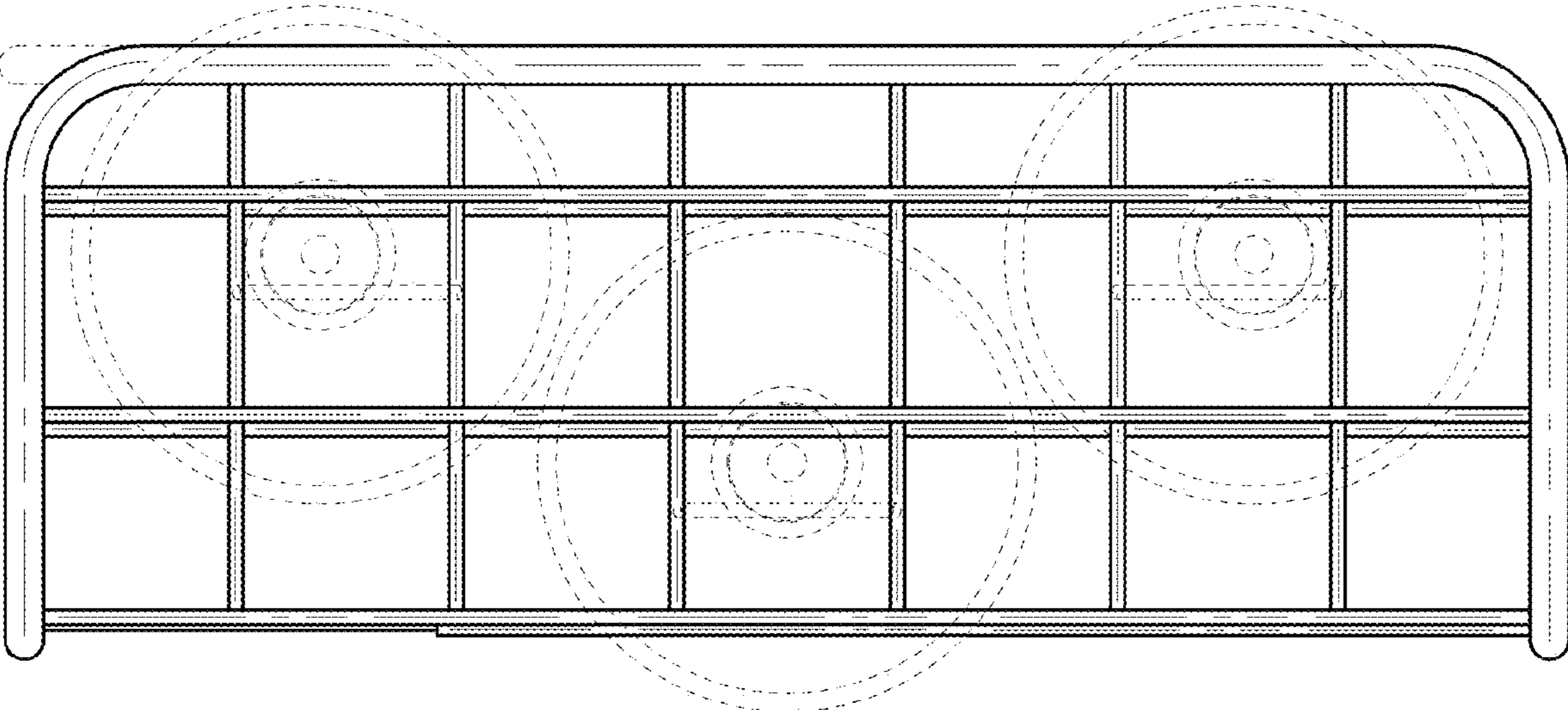


FIG. 3

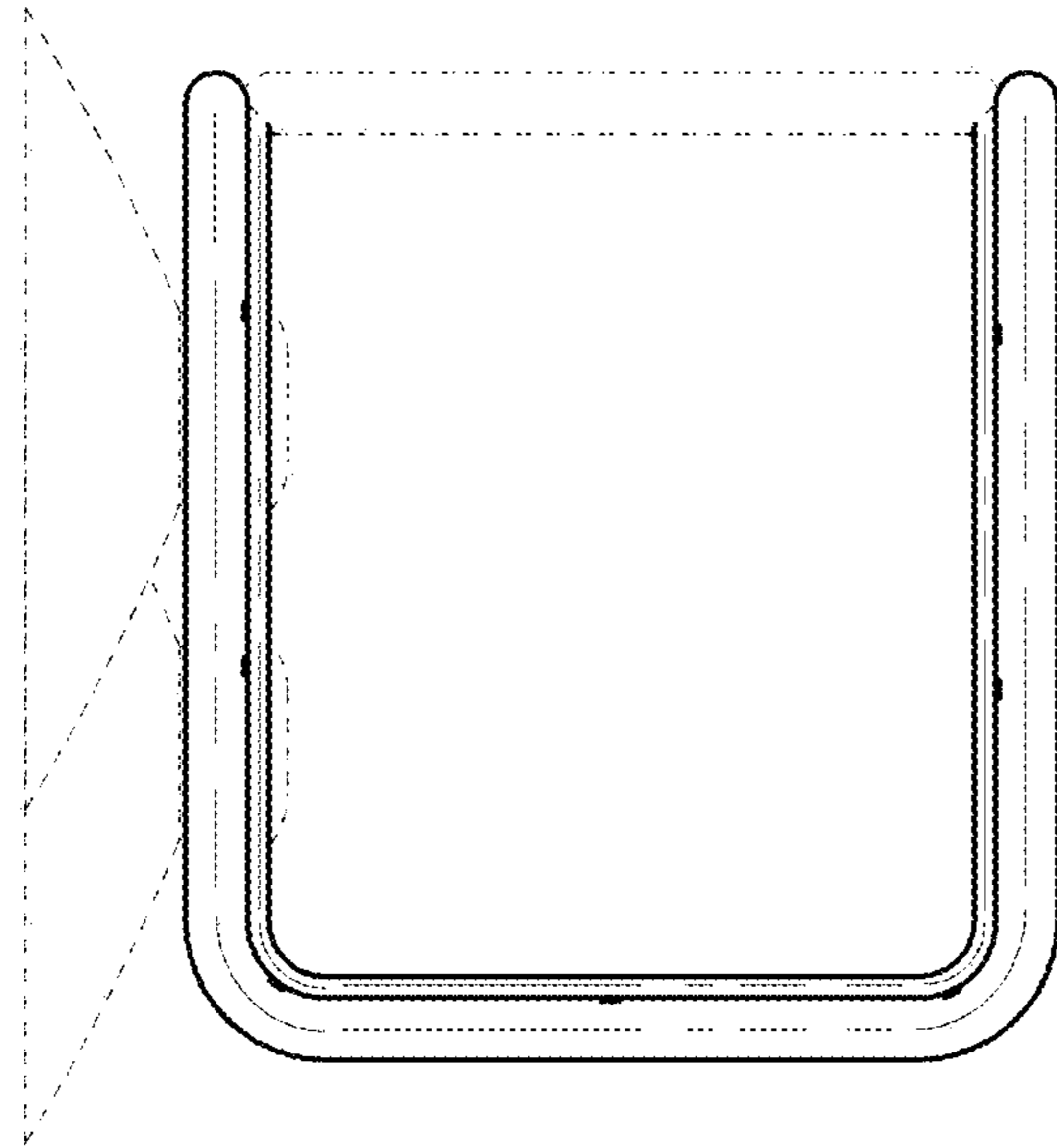


FIG. 4

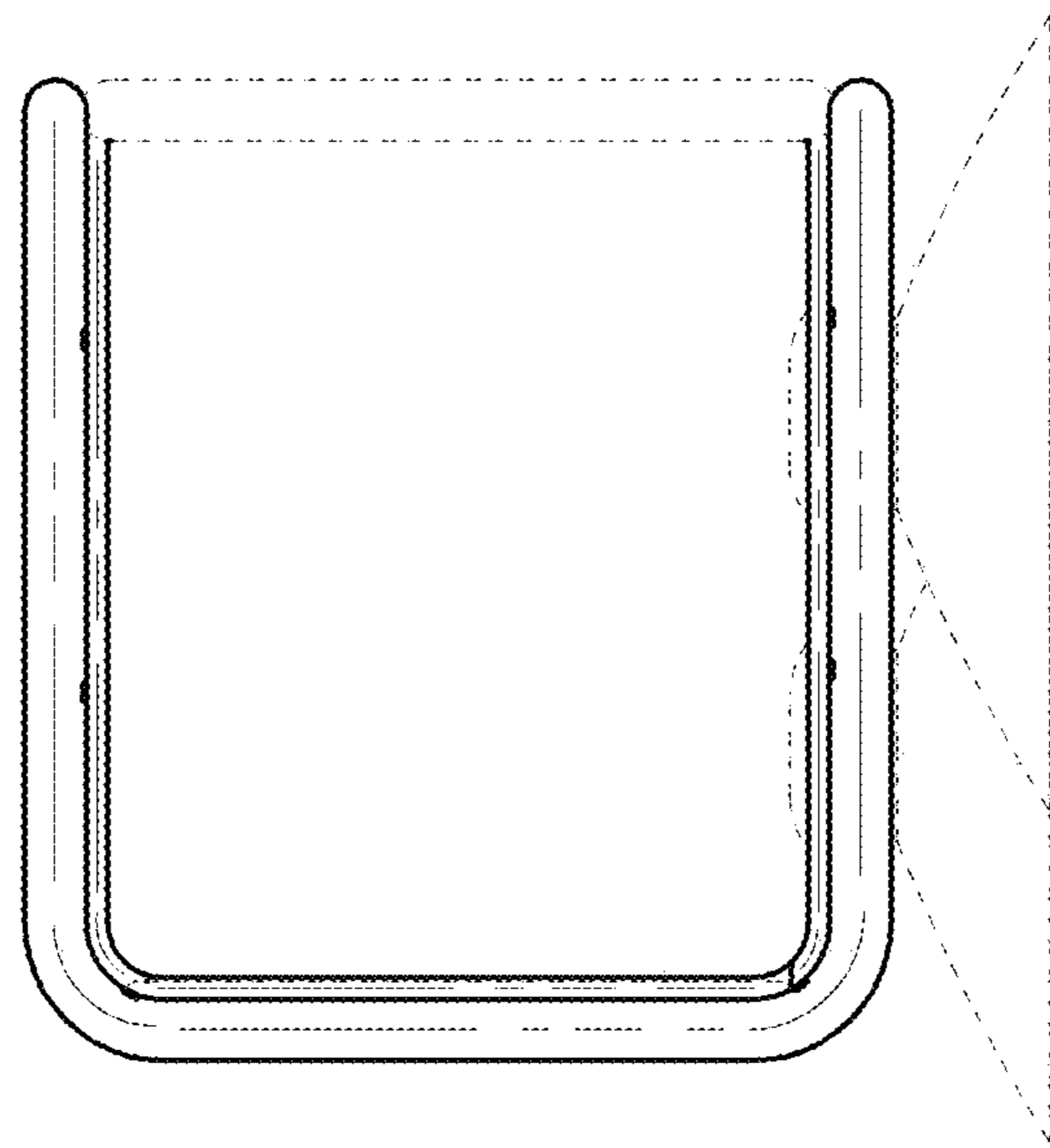


FIG. 5

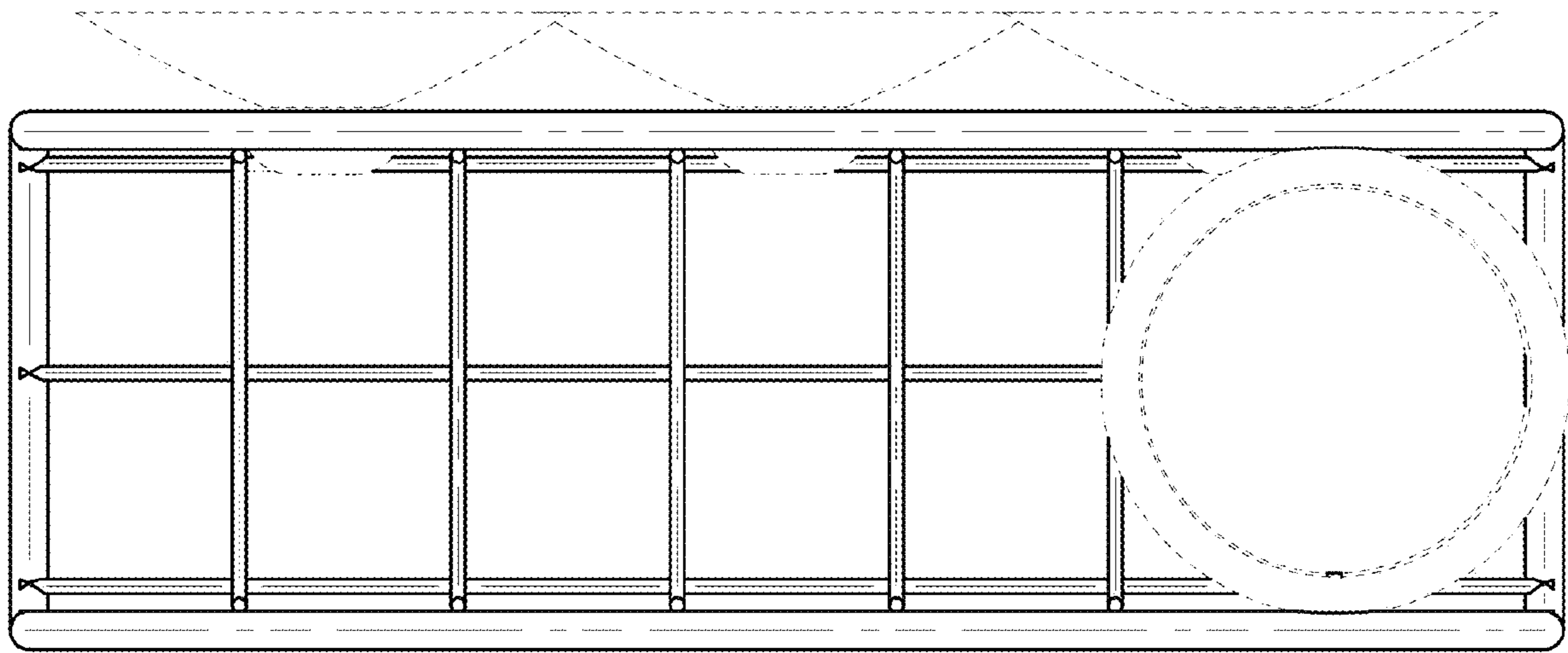


FIG. 6

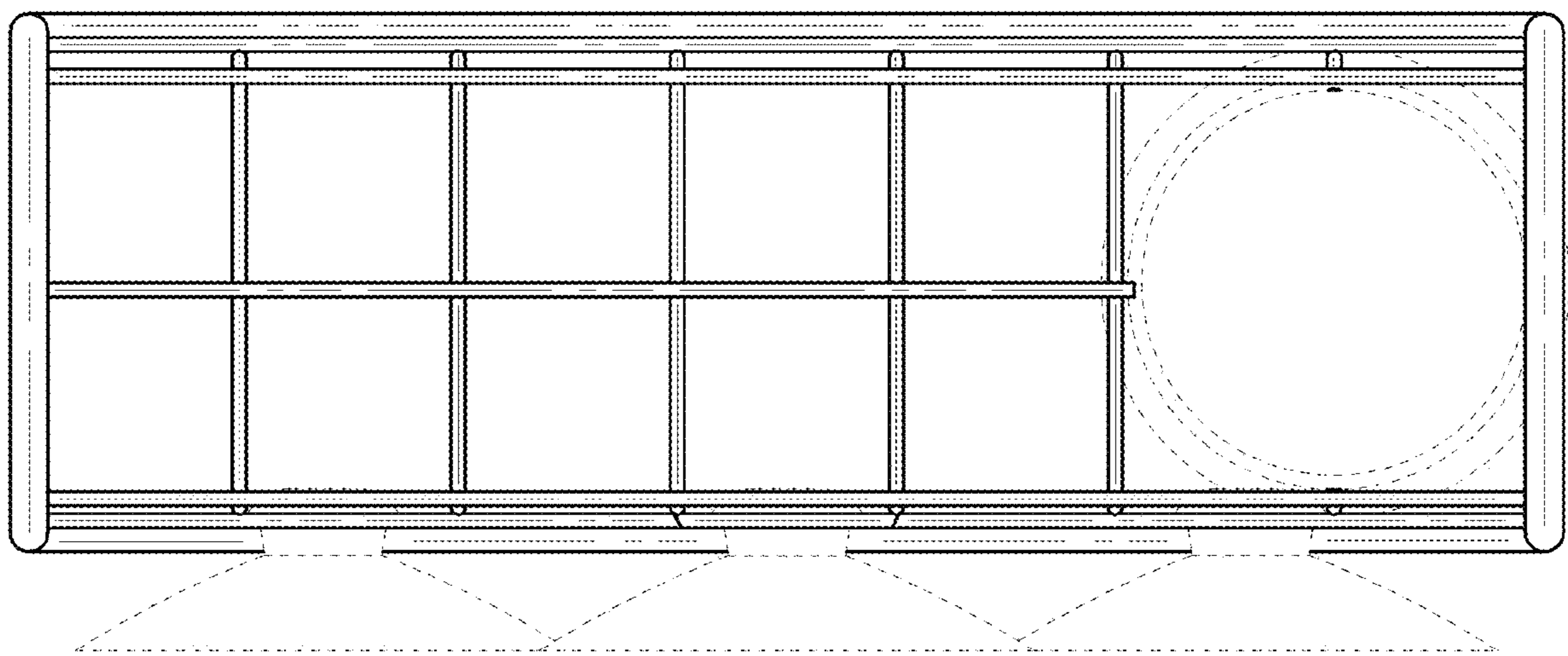


FIG. 7