



US00D933321S

(12) **United States Design Patent** (10) **Patent No.:** **US D933,321 S**
Fitzsimmons et al. (45) **Date of Patent:** **** Oct. 12, 2021**

(54) **DUST BUCKET LID FOR A DUST CYCLONE**

(71) Applicants: **John J. Fitzsimmons**, Clay, NY (US); **Jeffrey Hill**, Cicero, NY (US); **Joseph Baldwin**, Syracuse, NY (US); **Kyle W. Groening**, Syracuse, NY (US); **Robert M. Witter**, Englewood, FL (US)

(72) Inventors: **John J. Fitzsimmons**, Clay, NY (US); **Jeffrey Hill**, Cicero, NY (US); **Joseph Baldwin**, Syracuse, NY (US); **Kyle W. Groening**, Syracuse, NY (US); **Robert M. Witter**, Englewood, FL (US)

(73) Assignee: **Oneida Air Systems, Inc.**, Syracuse, NY (US)

(**) Term: **15 Years**

(21) Appl. No.: **29/726,472**

(22) Filed: **Mar. 3, 2020**

(51) **LOC (13) Cl.** **15-05**

(52) **U.S. Cl.**
USPC **D32/31; D32/54**

(58) **Field of Classification Search**

USPC D8/70; D15/138; D32/31, 21, 1
CPC A47L 9/1463; A47L 7/0038; A47L 9/102;
A47L 7/0071; A47L 9/12; A47L 9/149;
A47L 5/365; A47L 9/1658; A47L 7/0047;
A61M 15/0021; A01K 61/54; B65D
51/1672; B65D 88/1618; B65D 41/385;
B01D 36/045; B01D 29/908; B01D
45/06; B01D 45/16; B01D 45/12; B01D
47/06; B01D 45/14; B01D 46/10; B01D
21/0045; B01D 45/00; B08B 5/04; B08B
17/00; B05B 14/48; B65F 1/105; B04C
9/00; B04C 5/14; B04C 5/08; B03C
1/033; C12N 1/02; E01H 1/0836; F16N
7/34; F02M 35/026; G03G 9/0815

See application file for complete search history.

(56) **References Cited**

U.S. PATENT DOCUMENTS

2,384,699 A * 9/1945 Russell F02M 35/026
96/318
2,905,266 A * 9/1959 Poch B01D 45/14
55/418
3,233,882 A * 2/1966 Calaceto B01D 47/06
261/118
3,370,408 A * 2/1968 Lehrer B04C 5/08
55/429

(Continued)

OTHER PUBLICATIONS

Dust Deputy Bucket Lid <https://www.oneida-air.com/molded-dust-deputy-bucket-lid> (Year: 2020).*

Primary Examiner — Michelle E. Wilson

Assistant Examiner — Richard E Yenchesky

(74) *Attorney, Agent, or Firm* — Bernhard P. Molldrem, Jr.

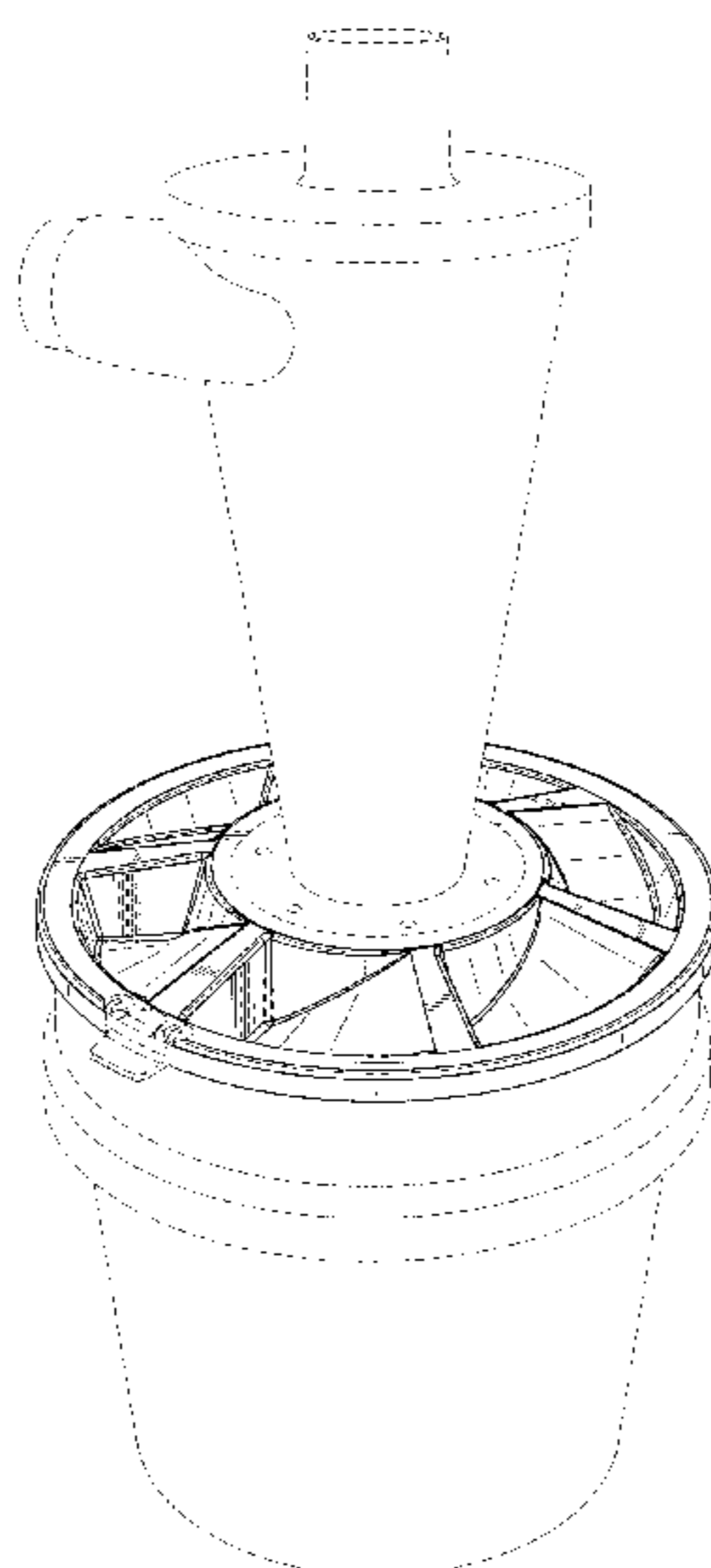
(57) **CLAIM**

The ornamental design for a dust bucket lid for a dust cyclone, as shown and described.

DESCRIPTION

FIG. 1 is a perspective environmental view of a dust-bucket lid for a cyclonic dust collector, showing our new design. FIG. 2 is a top plan view thereof; FIG. 3 is a bottom plan view thereof; FIGS. 4 to 7 are is a front elevational view thereof; a left-side elevational view thereof; a rear elevational view thereof and a right-side elevation thereof; and, FIG. 8 is a bottom perspective view thereof. The cyclonic dust collector and bucket shown in broken line form no part of our design. The center opening and the bolt holes surrounding it, shown in broken line and the latch and opposing hook member, shown in broken lines, do not form a part of our claimed design.

1 Claim, 4 Drawing Sheets



(56)

References Cited

U.S. PATENT DOCUMENTS

3,740,933	A *	6/1973	Hollowell	E01H 1/0836 55/429	8,074,321	B2 *	12/2011	Fry	A47L 7/0038 15/328
3,771,295	A *	11/1973	Wheeler, Jr.	F16N 7/34 55/424	8,132,685	B2 *	3/2012	Wellman	B65D 41/385 215/352
4,019,883	A *	4/1977	Klomp	B01D 45/12 96/377	9,050,610	B2 *	6/2015	Caffell	B01D 29/908
4,476,608	A *	10/1984	Rasmussen	A47L 7/0071 15/352	D738,178	S *	9/2015	Eisinger	D8/70
5,047,089	A *	9/1991	Grant	B08B 5/04 134/21	9,186,604	B1 *	11/2015	Jons	B04C 5/14
5,236,479	A *	8/1993	Billingsley	B01D 45/12 55/337	9,527,091	B2 *	12/2016	Corcoran	B04C 5/14
5,525,396	A *	6/1996	Rudolph	A47L 9/102 428/131	9,833,733	B2 *	12/2017	Deuschmeyer	B01D 46/10
5,948,127	A *	9/1999	Minakawa	B04C 9/00 55/283	10,058,222	B1 *	8/2018	Willer	A47L 7/0047
6,027,541	A *	2/2000	Siemens	B01D 45/16 55/429	10,207,205	B2 *	2/2019	Shrivastava	B01D 36/045
6,117,201	A *	9/2000	Cheng	B01D 45/16 55/342	10,457,577	B2 *	10/2019	Agea	B03C 1/033
6,210,457	B1 *	4/2001	Siemens	B01D 45/16 55/429	D899,213	S *	10/2020	Lundbaeck	D8/70
6,484,761	B2 *	11/2002	Puccio	B65D 51/1672 141/65	10,857,550	B2 *	12/2020	Huntley	A47L 9/1658
6,610,116	B1 *	8/2003	Avery	B01D 46/10 454/154	D908,149	S *	1/2021	Hansen	D15/138
D495,347	S *	8/2004	Erbach	D15/138	10,888,206	B2 *	1/2021	Moeller	A47L 9/1463
8,012,230	B2 *	9/2011	Chen	B01D 45/06 55/428	10,968,036	B2 *	4/2021	Weissbrod	B65D 88/1618
					2008/0282894	A1 *	11/2008	Makarov	A47L 5/365 96/371
					2010/0170973	A1 *	7/2010	Makino	G03G 9/0815 241/101.5
					2013/0047985	A1 *	2/2013	Harris	A61M 15/0021 128/203.15
					2014/0083365	A1 *	3/2014	Mcshane	A01K 61/54 119/234
					2017/0197158	A1 *	7/2017	Kompala	C12N 1/02
					2018/0177357	A1 *	6/2018	Conrad	B08B 17/00
					2018/0177358	A1 *	6/2018	Conrad	A47L 9/12
					2018/0177359	A1 *	6/2018	Conrad	A47L 9/149
					2018/0177364	A1 *	6/2018	Conrad	B65F 1/105
					2018/0177365	A1 *	6/2018	Conrad	B01D 45/00
					2018/0369849	A1 *	12/2018	Loos	B05B 14/48
					2019/0210042	A1 *	7/2019	Kompala	B01D 21/0045

* cited by examiner

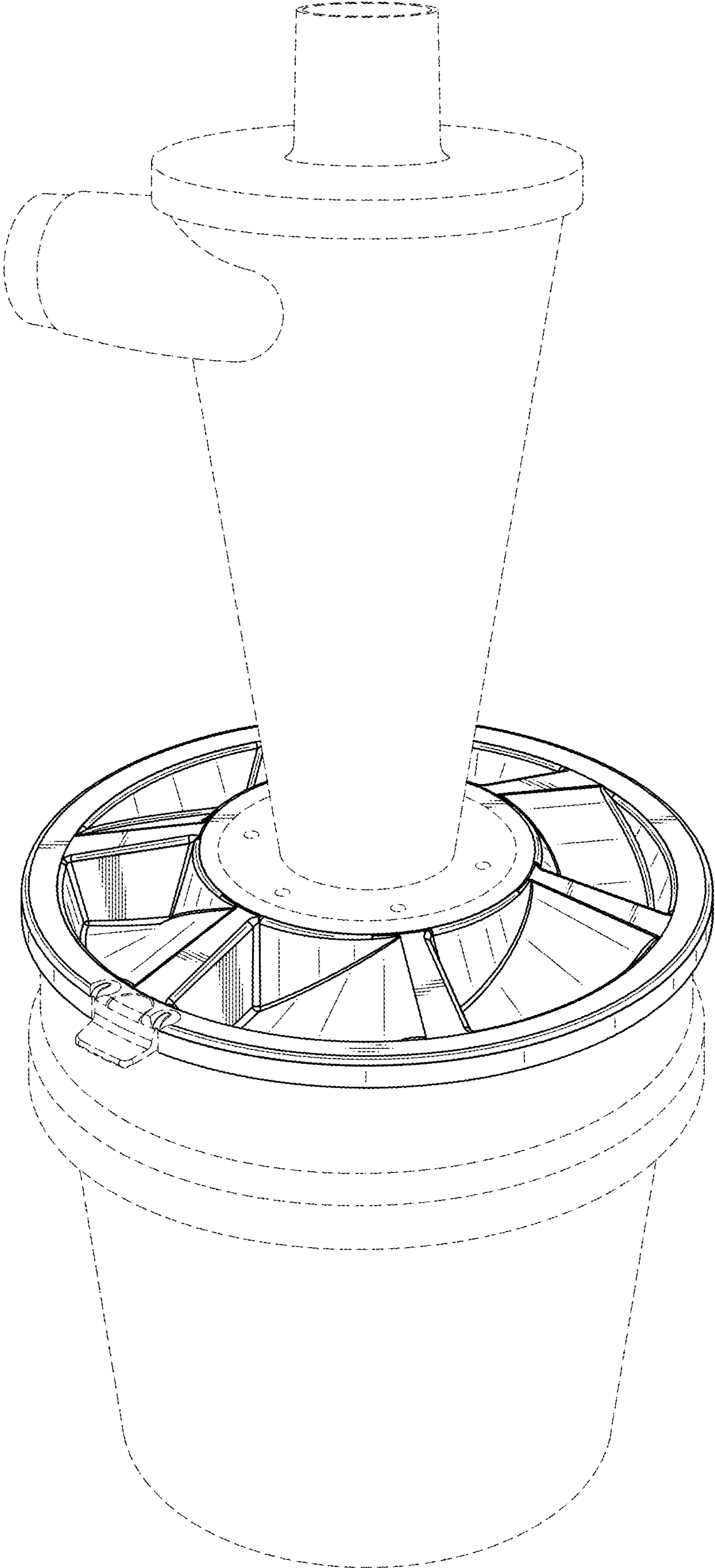


FIG. 1

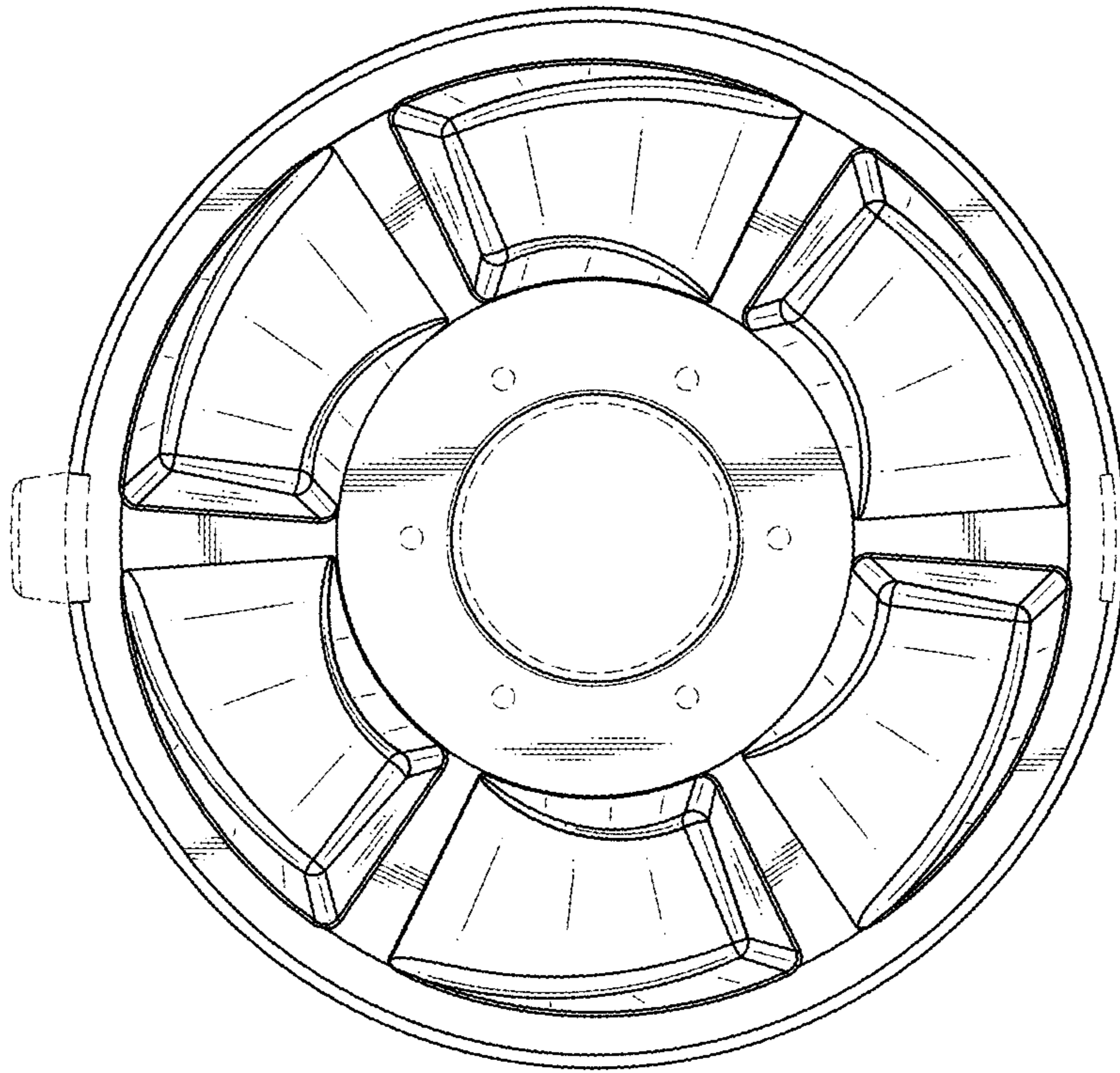


FIG. 3

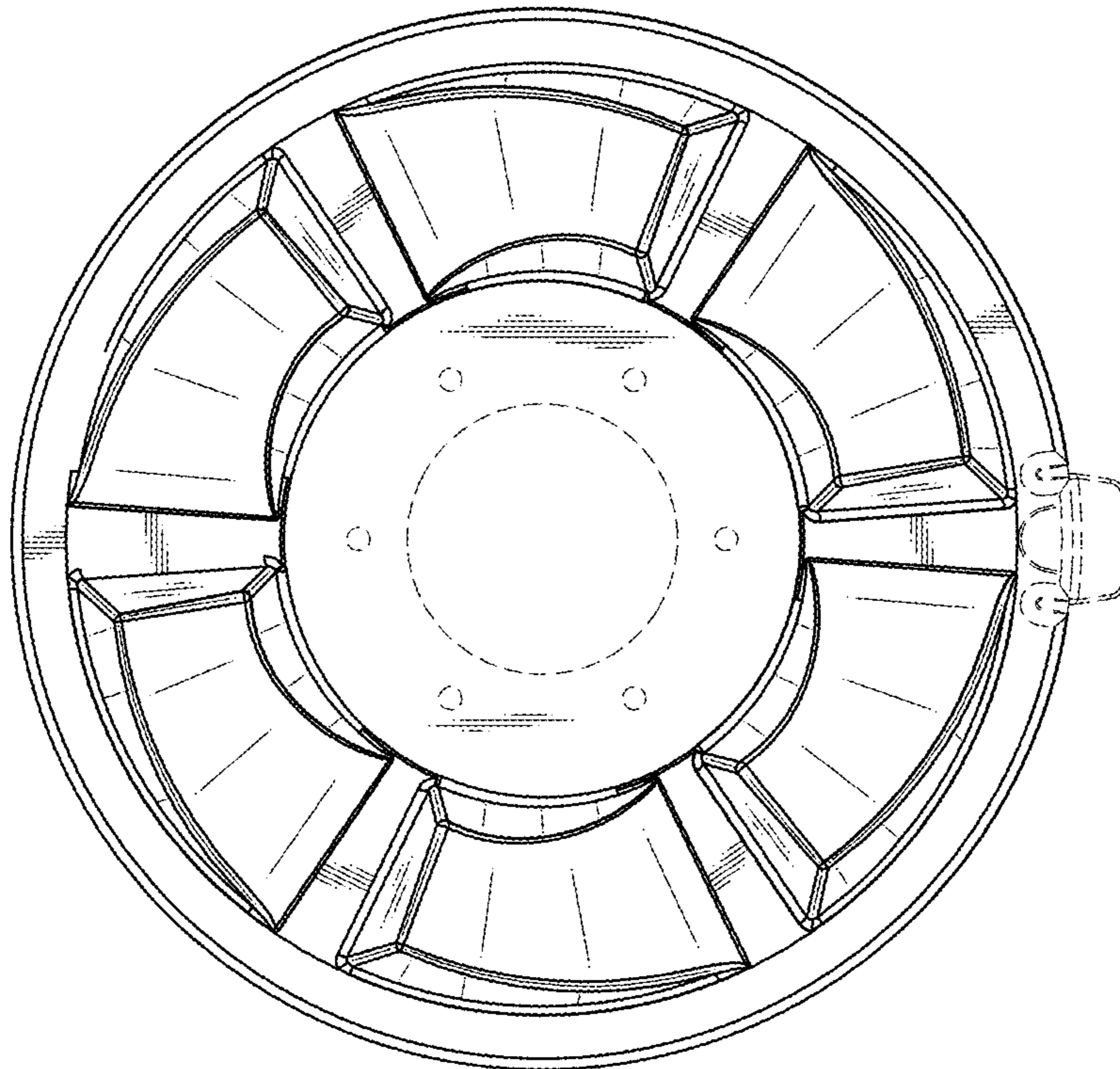


FIG. 2

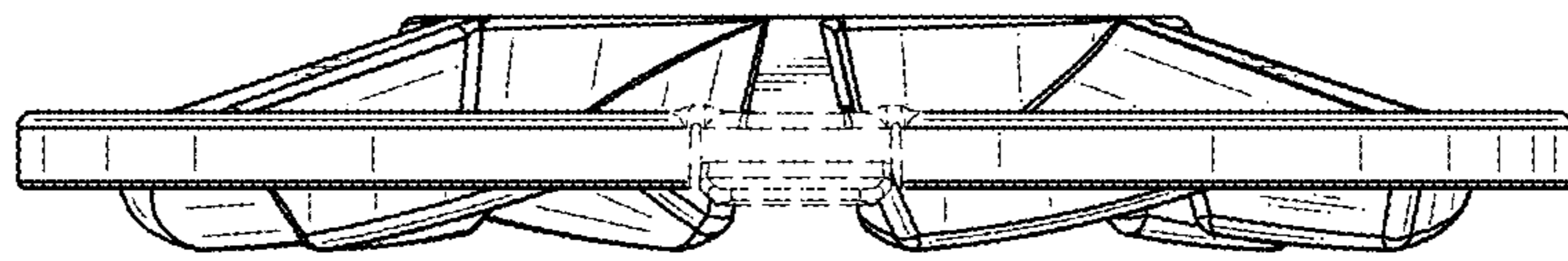


FIG. 4

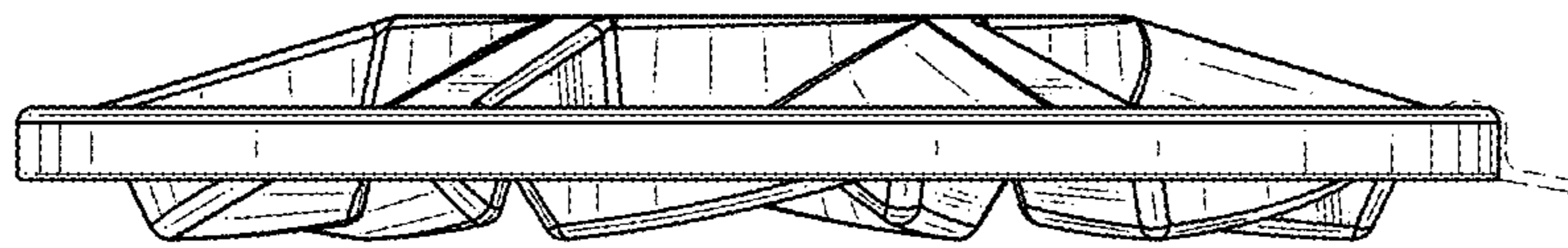


FIG. 5

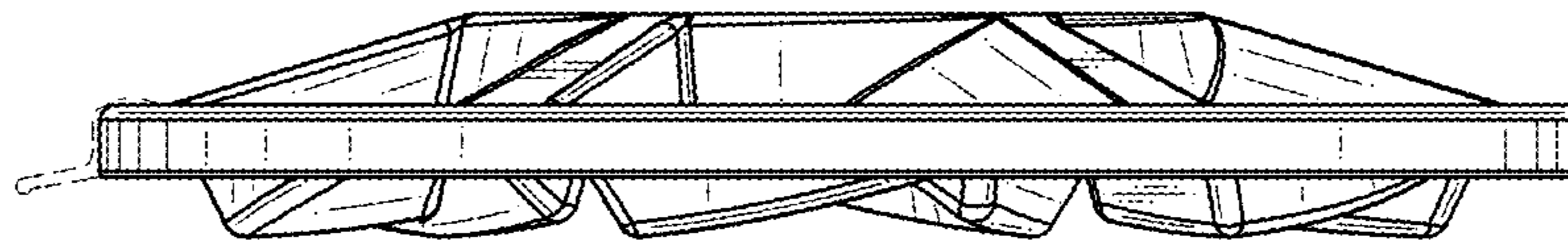


FIG. 6

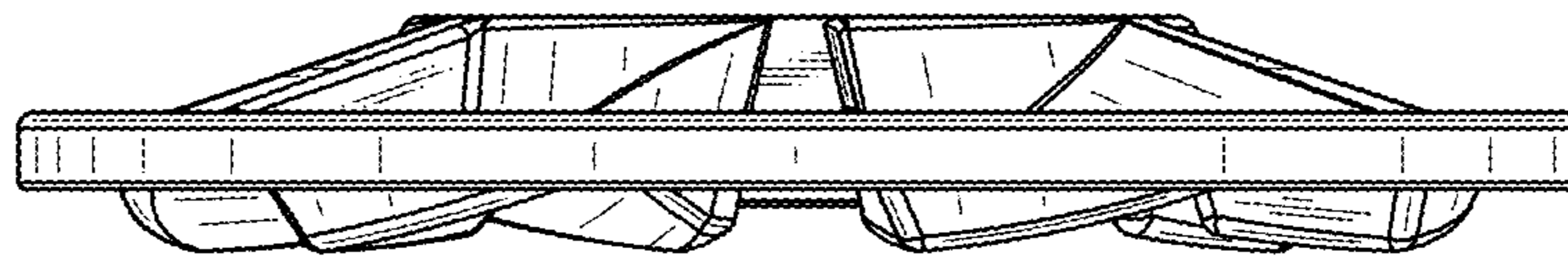


FIG. 7

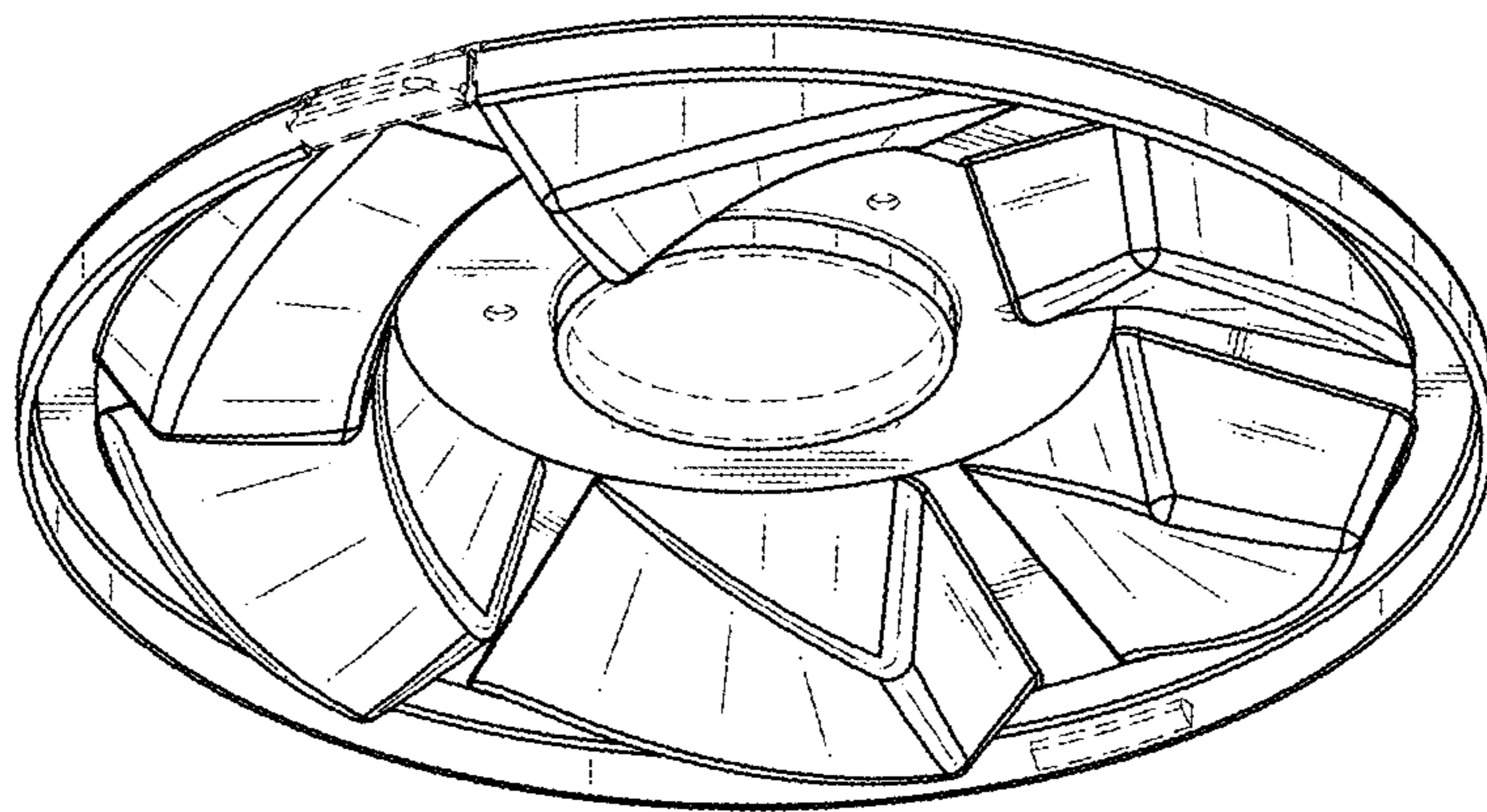


FIG.8