



US00D933320S

(12) **United States Design Patent**
Bloemendaal

(10) **Patent No.:** **US D933,320 S**

(45) **Date of Patent:** **** Oct. 12, 2021**

(54) **VACUUM CLEANER**

(71) Applicant: **BISSELL Inc.**, Grand Rapids, MI (US)

(72) Inventor: **Colin J. Bloemendaal**, Grand Rapids, MI (US)

(73) Assignee: **BISSELL Inc.**, Grand Rapids, MI (US)

(**) Term: **15 Years**

(21) Appl. No.: **29/690,892**

(22) Filed: **May 13, 2019**

(51) **LOC (13) Cl.** **15-05**

(52) **U.S. Cl.**
USPC **D32/22; D32/18**

(58) **Field of Classification Search**
USPC D32/17, 18, 22, 31; D21/526
CPC A47L 5/24; A47L 5/28; A47L 5/30; A47L 5/34; A47L 5/36; A47L 9/04; A47L 9/102; A47L 9/106; A47L 11/30; A47L 11/302; A47L 11/4005; A47L 11/4008; A47L 11/4044; B04C 5/185; B23Q 11/0046; B23Q 11/0071; E04H 4/1636
See application file for complete search history.

(56) **References Cited**

U.S. PATENT DOCUMENTS

D731,130 S *	6/2015	Dyson	D32/18
D771,890 S *	11/2016	Kim	D32/34
9,675,218 B2 *	6/2017	Kim	A47L 5/24
D800,980 S *	10/2017	Carter	D32/21
D819,282 S *	5/2018	Kim	D32/22
9,986,880 B2 *	6/2018	Conrad	A47L 9/165
D861,268 S *	9/2019	Meyer	D32/22
D862,011 S *	10/2019	Kim	D32/22
D902,510 S *	11/2020	Adams	D32/22
D905,360 S *	12/2020	Ma	D32/22
D905,919 S *	12/2020	Niedzwecki	D32/34
D908,990 S *	1/2021	Chen	D32/22

D912,344 S *	3/2021	Choi	D32/22
D922,008 S *	6/2021	Cole	D32/18
D922,010 S *	6/2021	Lin	D32/18
D924,503 S *	7/2021	Xu	D32/18

(Continued)

FOREIGN PATENT DOCUMENTS

CN	305131641	*	4/2019
CN	305767032	*	5/2020

(Continued)

OTHER PUBLICATIONS

Iris Ohyama IC-SLDCP10-R Cordless, available in Amazon.co.jp, date first available Feb. 26, 2020 [online], [site visited Feb. 22, 2021], Available from the internet URL: https://www.amazon.co.jp/dp/B0856B39L9/ref=cm_sw_em_r_mt_imm_awdb_NRDC6NE4VDN965J2F08R (Year: 2020).*

(Continued)

Primary Examiner — Dana K Weiland
Assistant Examiner — Jennylou M Binas
(74) *Attorney, Agent, or Firm* — Warner Norcross + Judd LLP

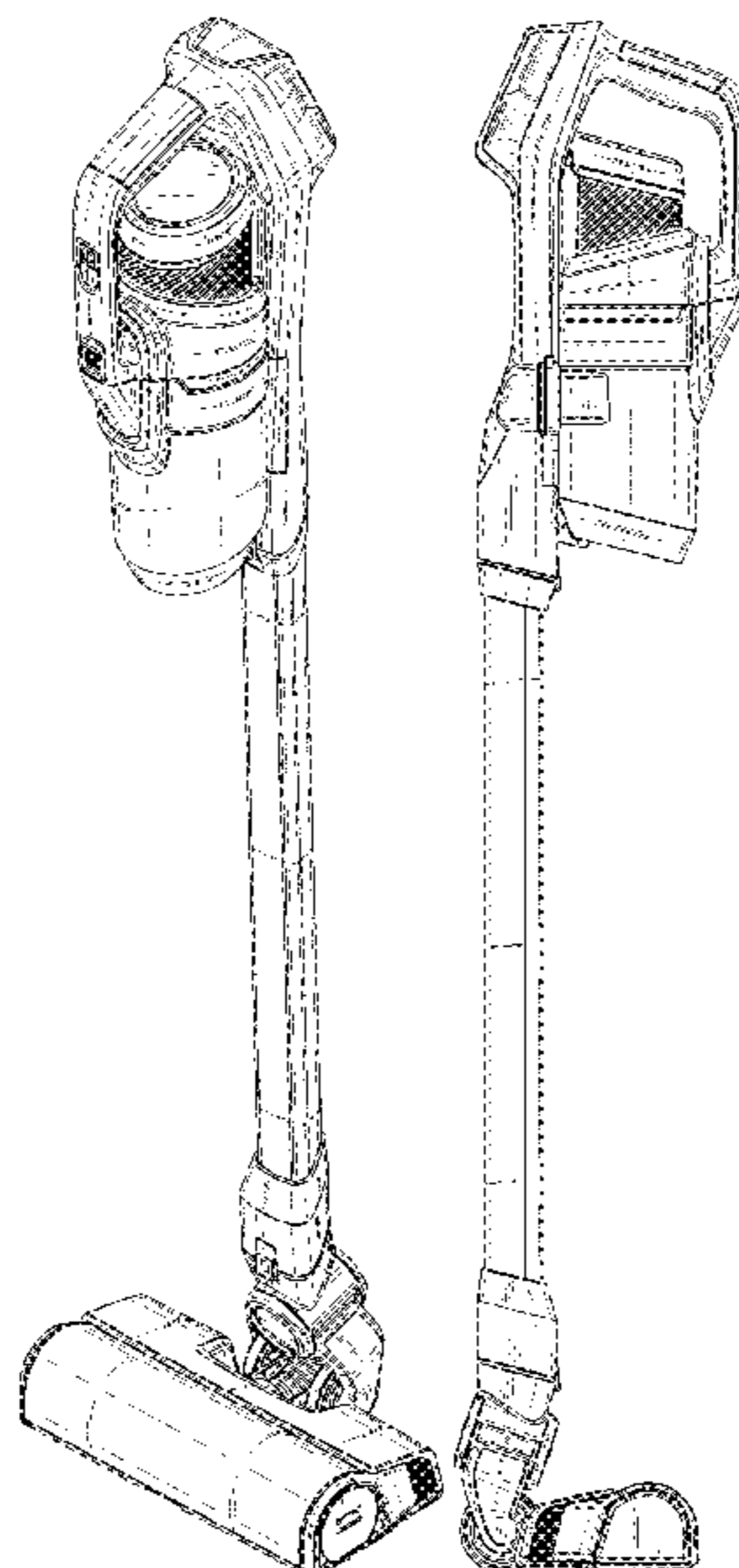
(57) **CLAIM**

The ornamental design for a vacuum cleaner, as shown and described.

DESCRIPTION

FIG. 1 is a front perspective view of a vacuum cleaner showing my new design;
FIG. 2 is a front view thereof;
FIG. 3 is a rear view thereof;
FIG. 4 is a left side view thereof;
FIG. 5 is a right side view thereof; and,
FIG. 6 is an enlarged top view of the vacuum cleaner.
The broken lines shown in the drawings depict portions of the vacuum cleaner that form no part of the claimed design

1 Claim, 6 Drawing Sheets



(56)

References Cited

U.S. PATENT DOCUMENTS

2016/0174789 A1* 6/2016 Han A47L 9/1683
15/327.1
2019/0208974 A1* 7/2019 Oka A47L 9/246

FOREIGN PATENT DOCUMENTS

IN 314297-001-0001 * 11/2019
JP D1657413 * 4/2020
KR 3020190053649 * 12/2020

OTHER PUBLICATIONS

Eureka Rapid Clean, available in Amazon.com, customer review
oldest date Feb. 16, 2019 [online], [site visited Feb. 22, 2021],
Available from the internet URL: [https://www.amazon.com/dp/
B07SMJJTL7/ref=cm_sw_r_em_apc_fabc_
6E27GFNGZ3AAWYD6394?encoding=UTF8&pvc=1](https://www.amazon.com/dp/B07SMJJTL7/ref=cm_sw_r_em_apc_fabc_6E27GFNGZ3AAWYD6394?encoding=UTF8&pvc=1) (Year: 2019).*

* cited by examiner

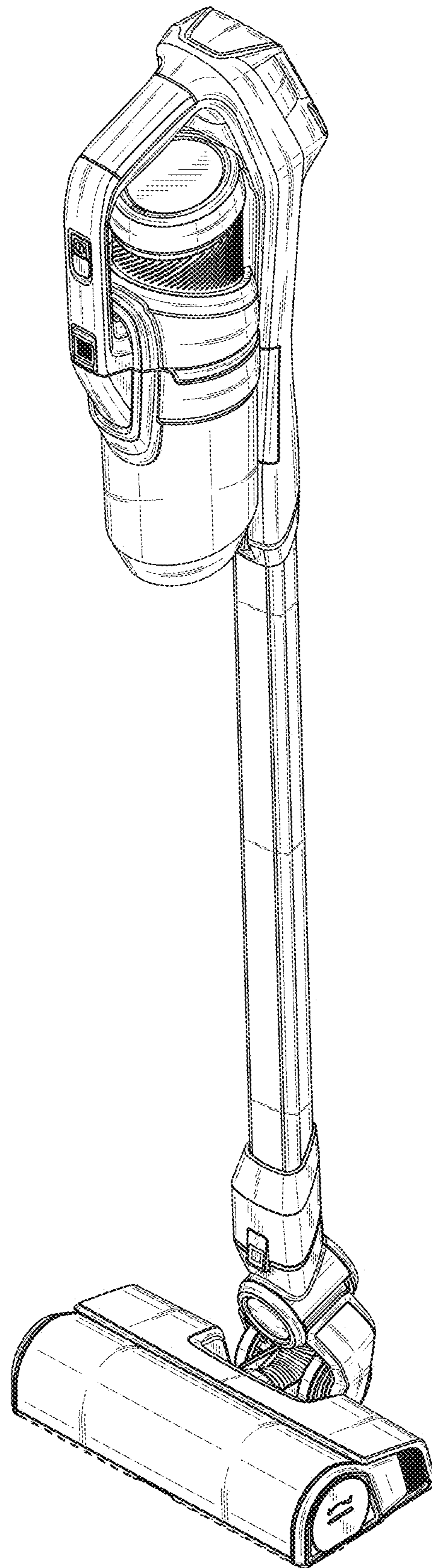


FIG. 1

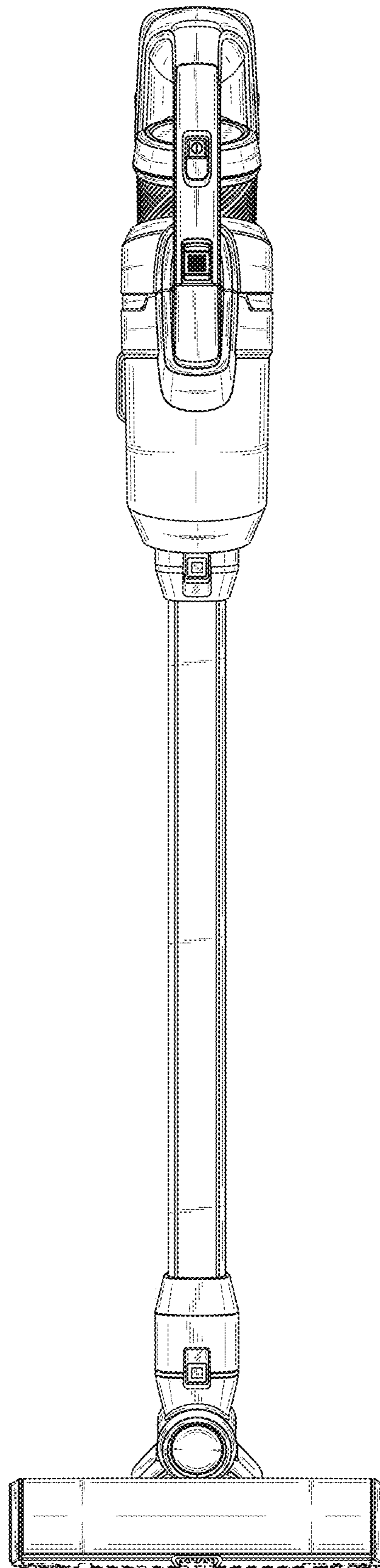


FIG. 2

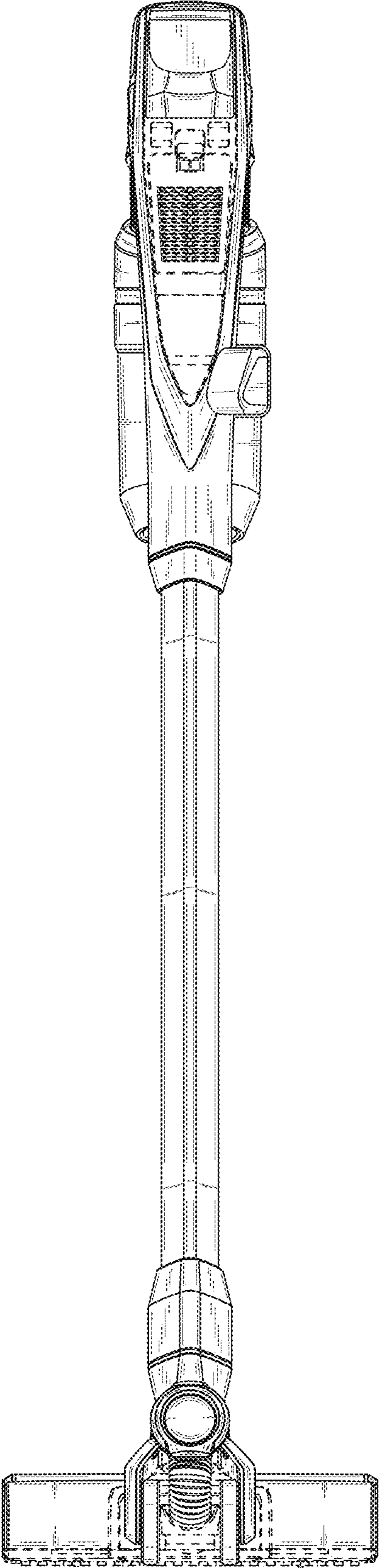


FIG. 3

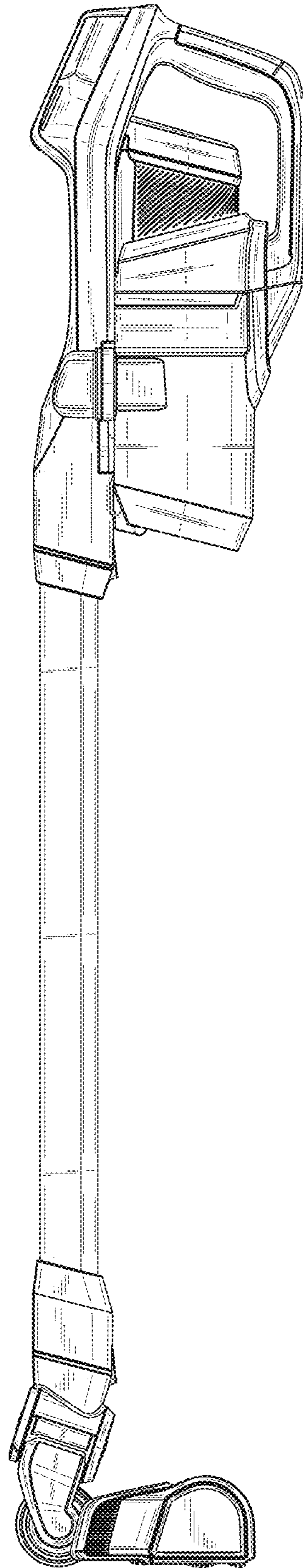


FIG. 4

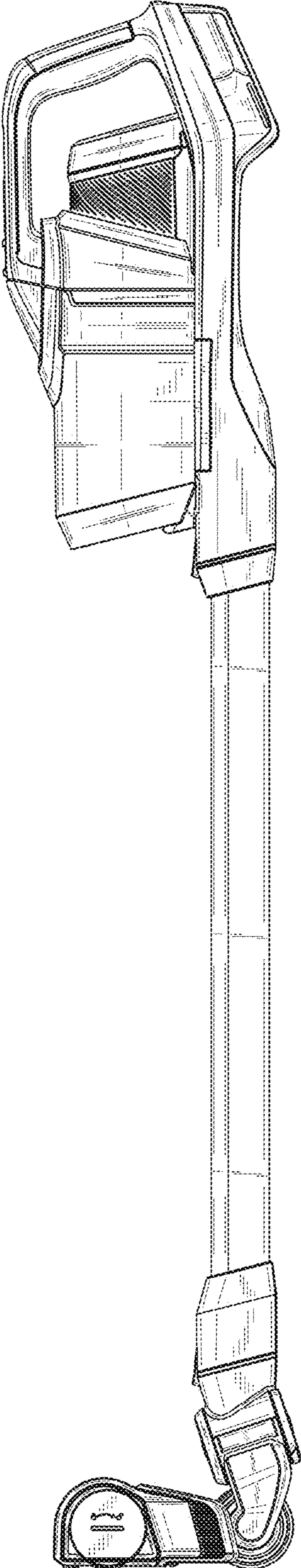


FIG. 5

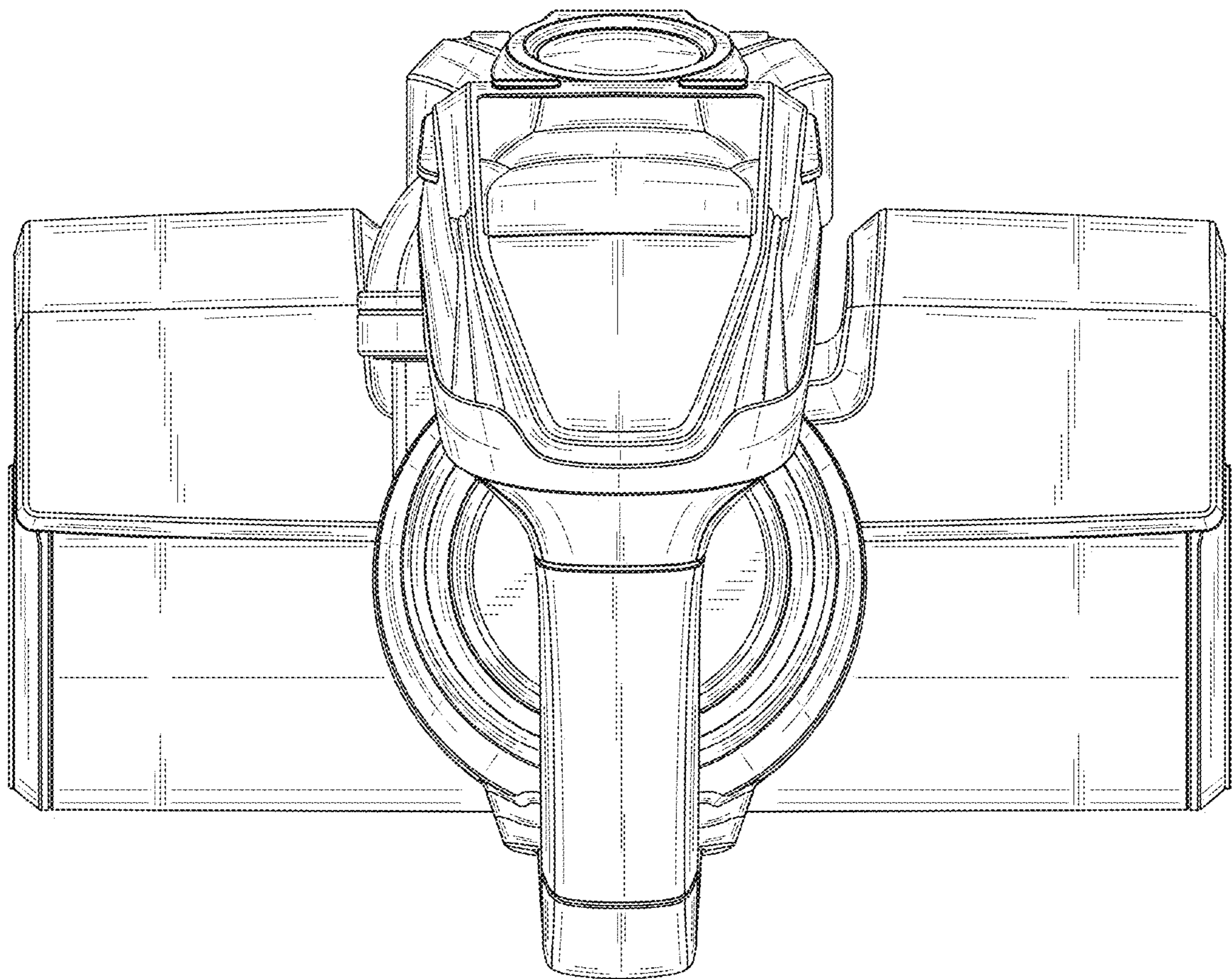


FIG. 6