



US00D933319S

(12) **United States Design Patent** (10) **Patent No.:** **US D933,319 S**
Lyu (45) **Date of Patent:** **** Oct. 12, 2021**

(54) **ROBOT VACUUM CLEANER**
(71) Applicant: **MIDEA GROUP CO., LTD.**,
Guangdong (CN)
(72) Inventor: **Zhaohua Lyu**, Guangdong (CN)
(73) Assignee: **MIDEA GROUP CO., LTD.**, Foshan
(CN)
(**) Term: **15 Years**
(21) Appl. No.: **35/510,540**
(22) Filed: **Jun. 28, 2020**

D890,457 S * 7/2020 Pearce D32/21
D901,110 S * 11/2020 Li D32/21
D915,015 S * 3/2021 Tan D32/31
D917,117 S * 4/2021 Cao D32/21
D919,211 S * 5/2021 Chang D32/21
D919,910 S * 5/2021 Li D32/21
D921,308 S * 6/2021 Cao D32/21
D921,309 S * 6/2021 Liu D32/21
D924,506 S * 7/2021 Zhang D32/21
D924,507 S * 7/2021 Zhang D32/21
D924,508 S * 7/2021 Zhang D32/21
D927,106 S * 8/2021 Choi D32/21
D927,107 S * 8/2021 Choi D32/21
D927,108 S * 8/2021 Choi D32/21
D927,805 S * 8/2021 Choi D32/21

(Continued)

(80) **Hague Agreement Data**
Int. Filing Date: **Jun. 28, 2020**
Int. Reg. No.: **DM/210569**
Int. Reg. Date: **Jun. 28, 2020**
Int. Reg. Pub. Date: **Oct. 16, 2020**
(51) **LOC (13) Cl.** **15-05**
(52) **U.S. Cl.**
USPC **D32/21; D15/199**
(58) **Field of Classification Search**
USPC D15/199; D21/578–583; D32/21, 23;
D34/34
CPC B65G 1/04; B23Q 7/1442; B66F 9/063;
G06Q 10/0832
See application file for complete search history.

OTHER PUBLICATIONS

“Best Robot Vacuum with Mop Additions 2020” [online]. Rebecca Spear. [Published on Nov. 26, 2020]. Retrieved from the Internet: <<https://www.androidcentral.com/best-robot-vacuum-mop-additions>>.*

Primary Examiner — Mojtaba Tehrani
(74) *Attorney, Agent, or Firm* — Kilpatrick Townsend & Stockton LLP

(57) **CLAIM**

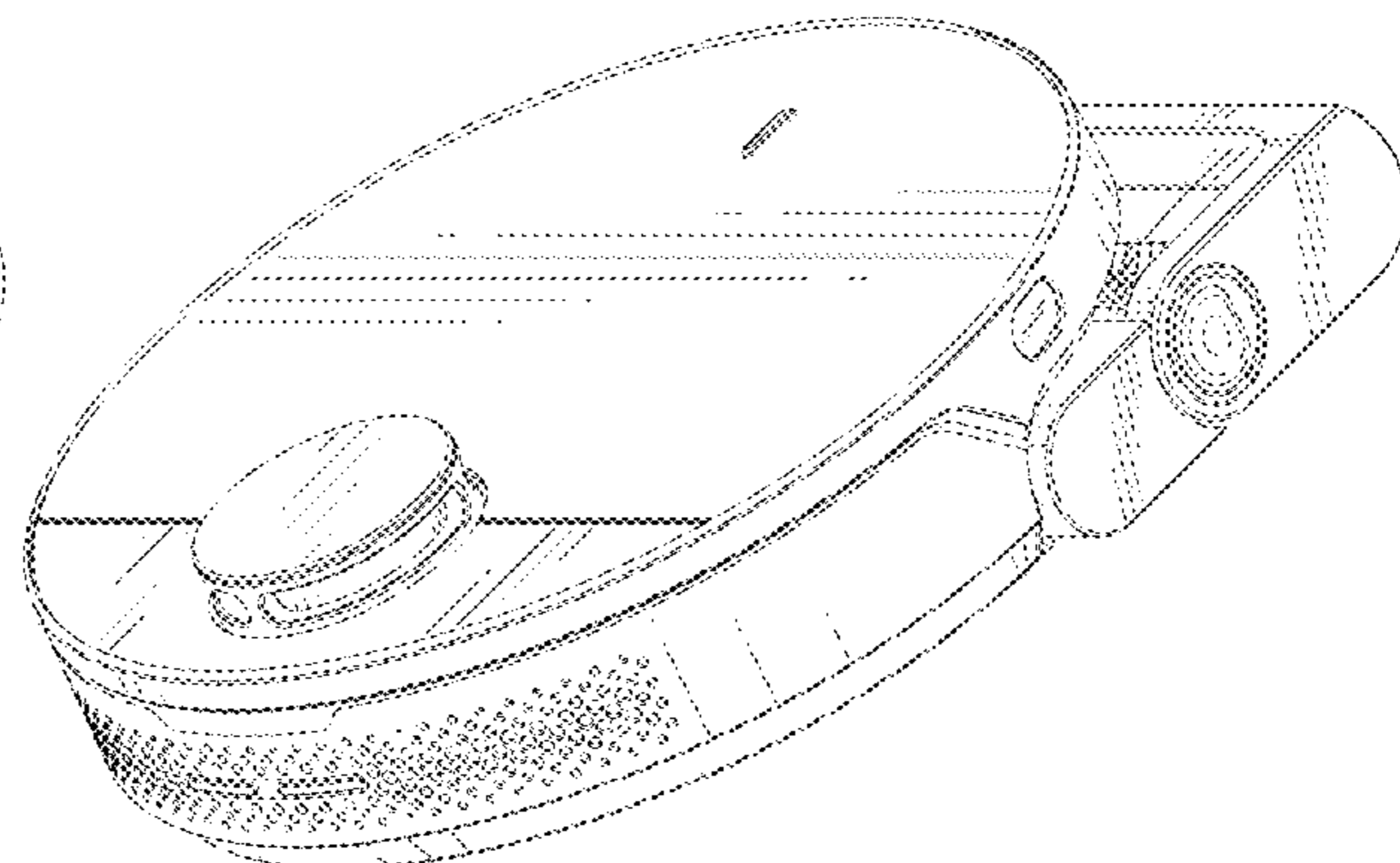
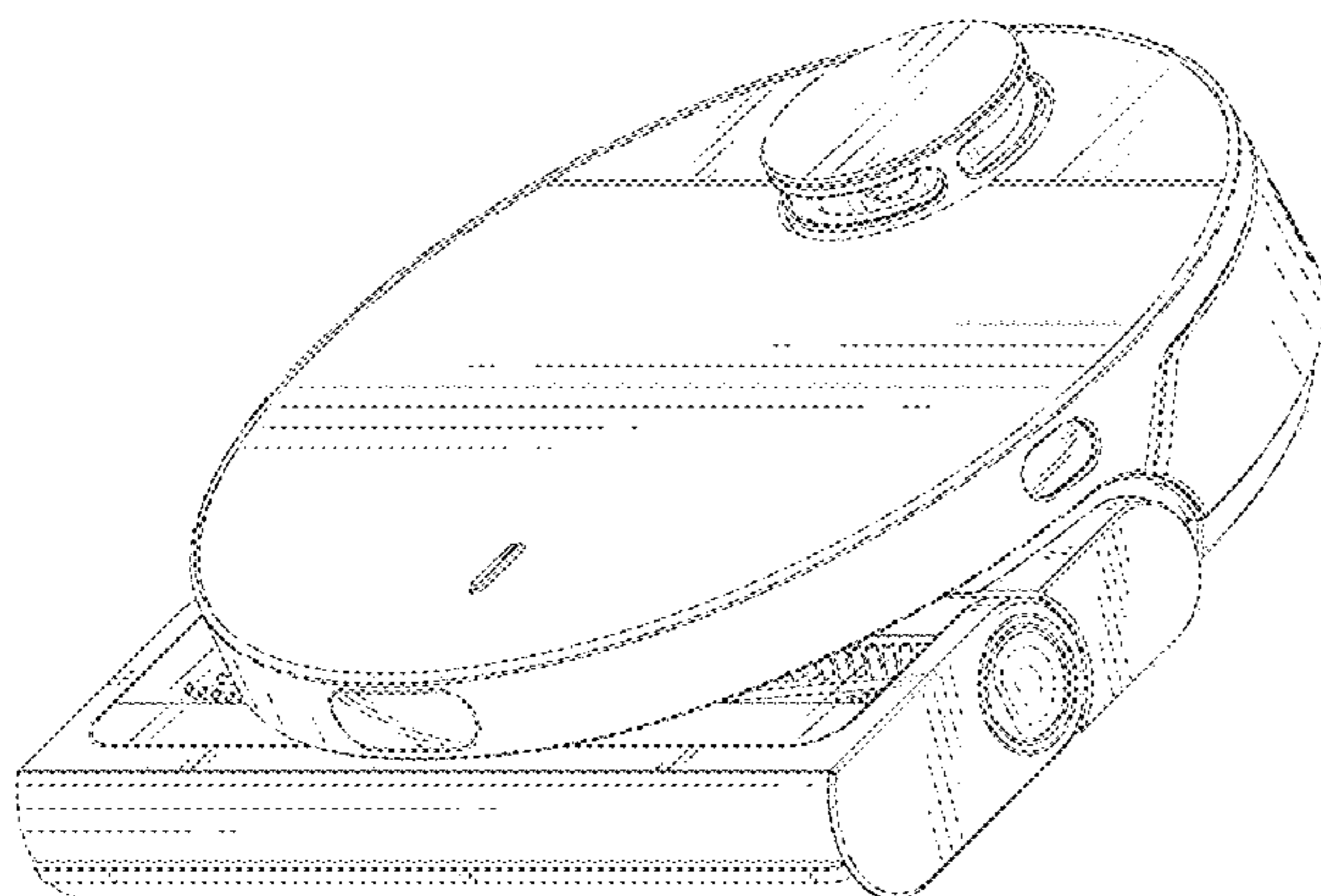
The ornamental design for a robot vacuum cleaner, as shown and described.

DESCRIPTION

- 1. Robot vacuum cleaner
- 1.1 : Front
- 1.2 : Back
- 1.3 : Left
- 1.4 : Right
- 1.5 : Top
- 1.6 : Bottom
- 1.7 : Perspective
- 1.8 : Perspective

1 Claim, 8 Drawing Sheets

(56) **References Cited**
U.S. PATENT DOCUMENTS
D593,265 S * 5/2009 Carr D32/21
D658,341 S * 4/2012 Nam D32/21
D835,869 S * 12/2018 Li D32/21
D840,617 S * 2/2019 Dou D32/21
D842,343 S * 3/2019 Roh D15/14
D859,764 S * 9/2019 Sexton D32/21
D860,557 S * 9/2019 Gnielka D32/21
D867,701 S * 11/2019 Mi D32/31
D871,694 S * 12/2019 Casini D32/21



(56)

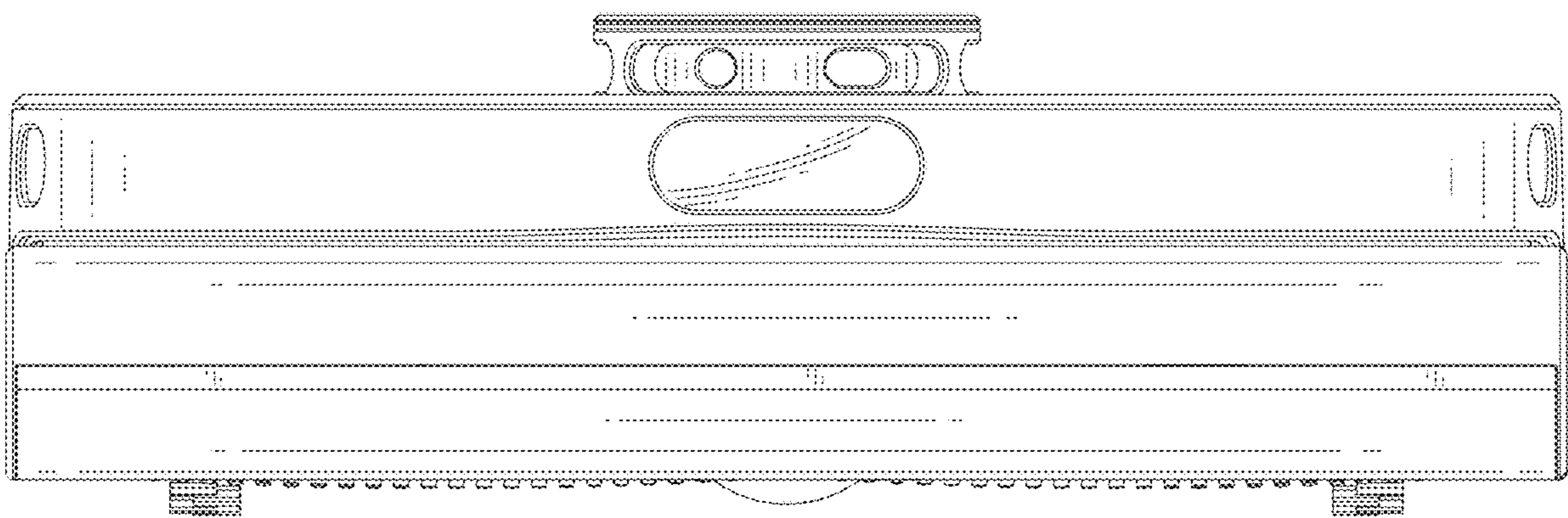
References Cited

U.S. PATENT DOCUMENTS

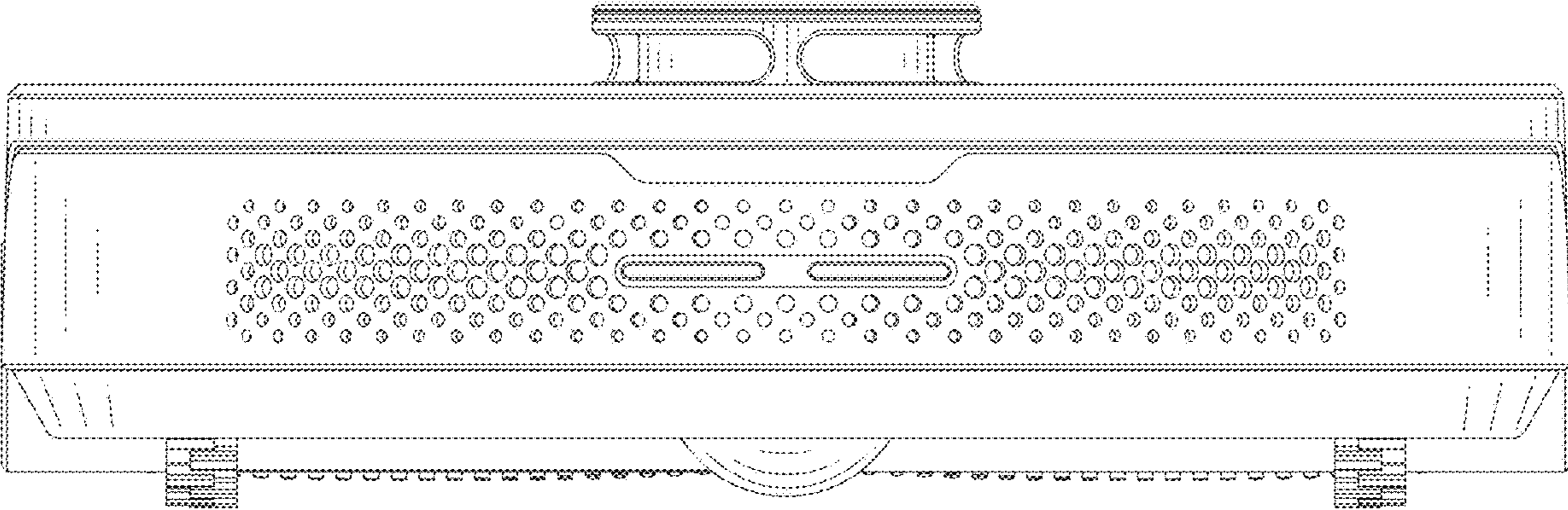
D929,690 * 8/2021 Cheng A47L 9/009
D32/21
2020/0205627 A1* 7/2020 Choi A47L 9/1666
2020/0383546 A1* 12/2020 Kim A47L 9/2836

* cited by examiner

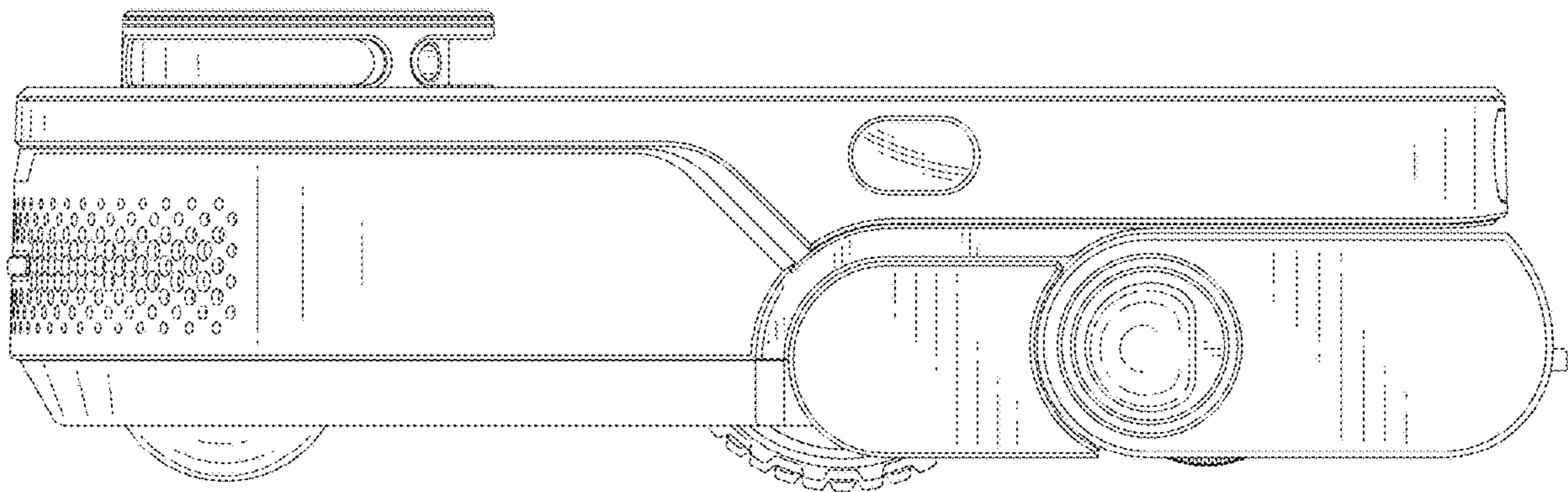
1.1



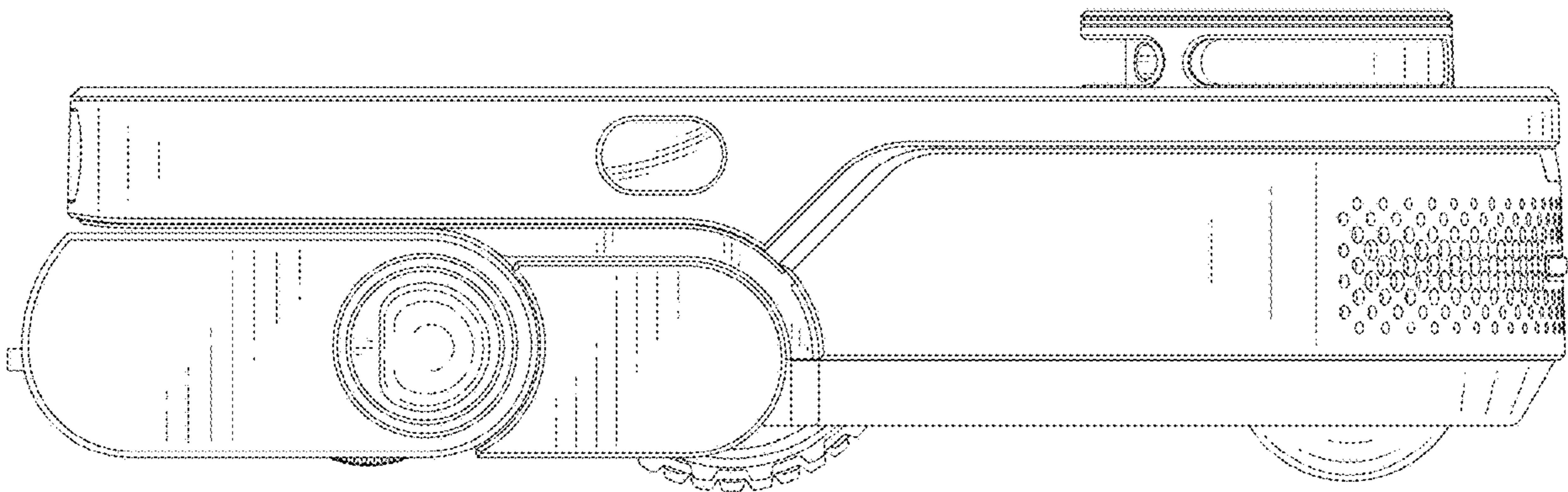
1.2



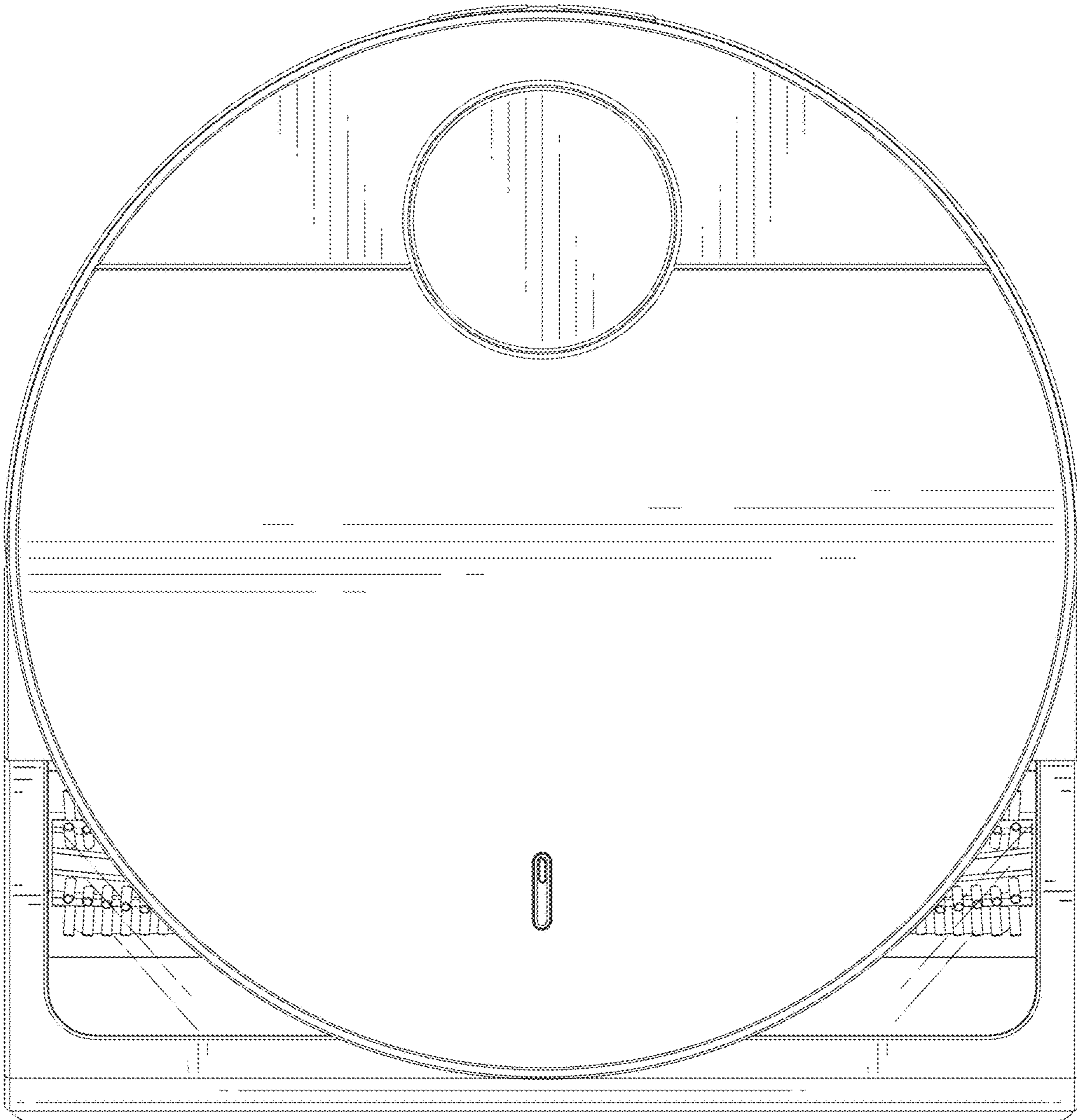
1.3



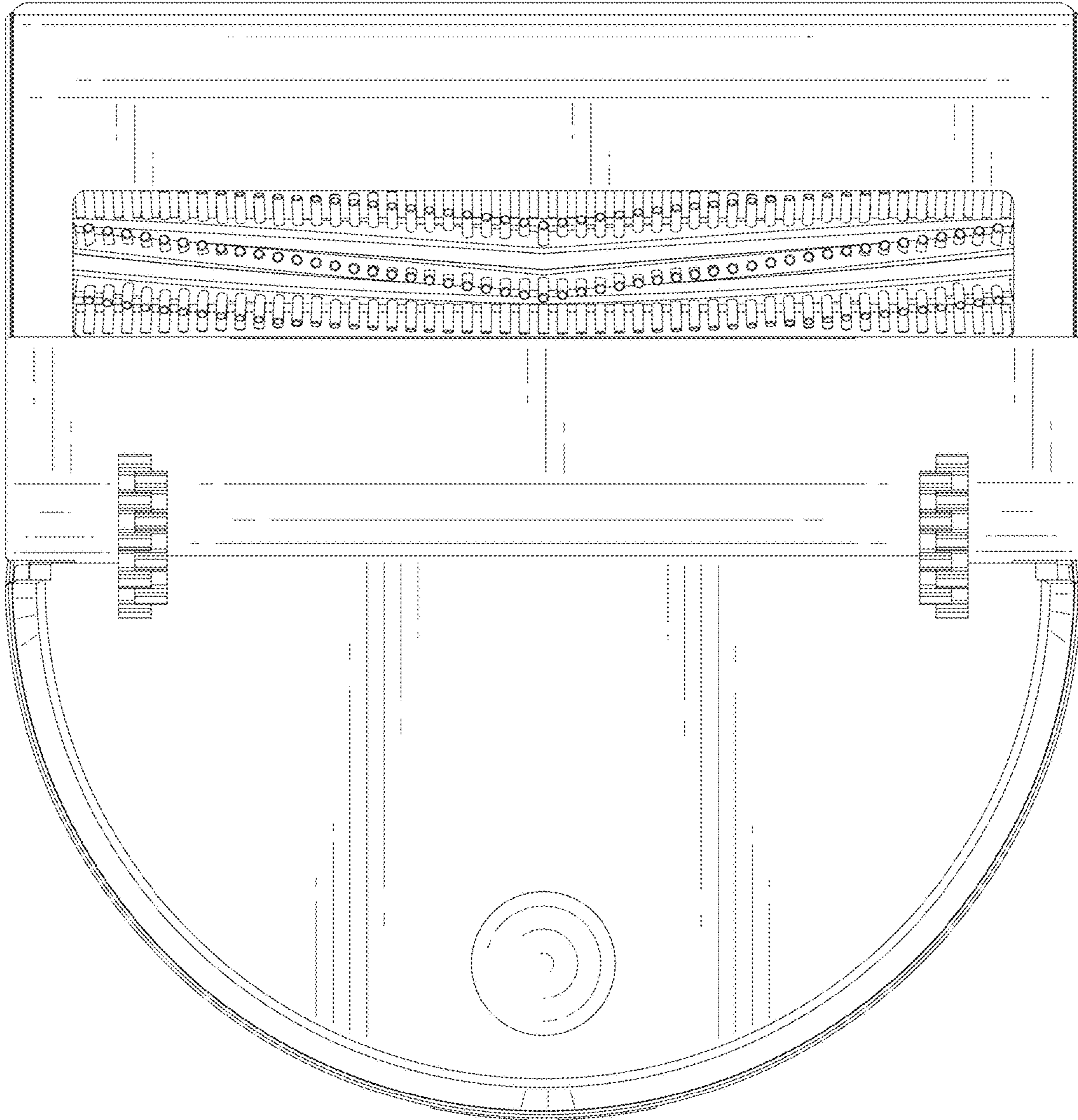
1.4



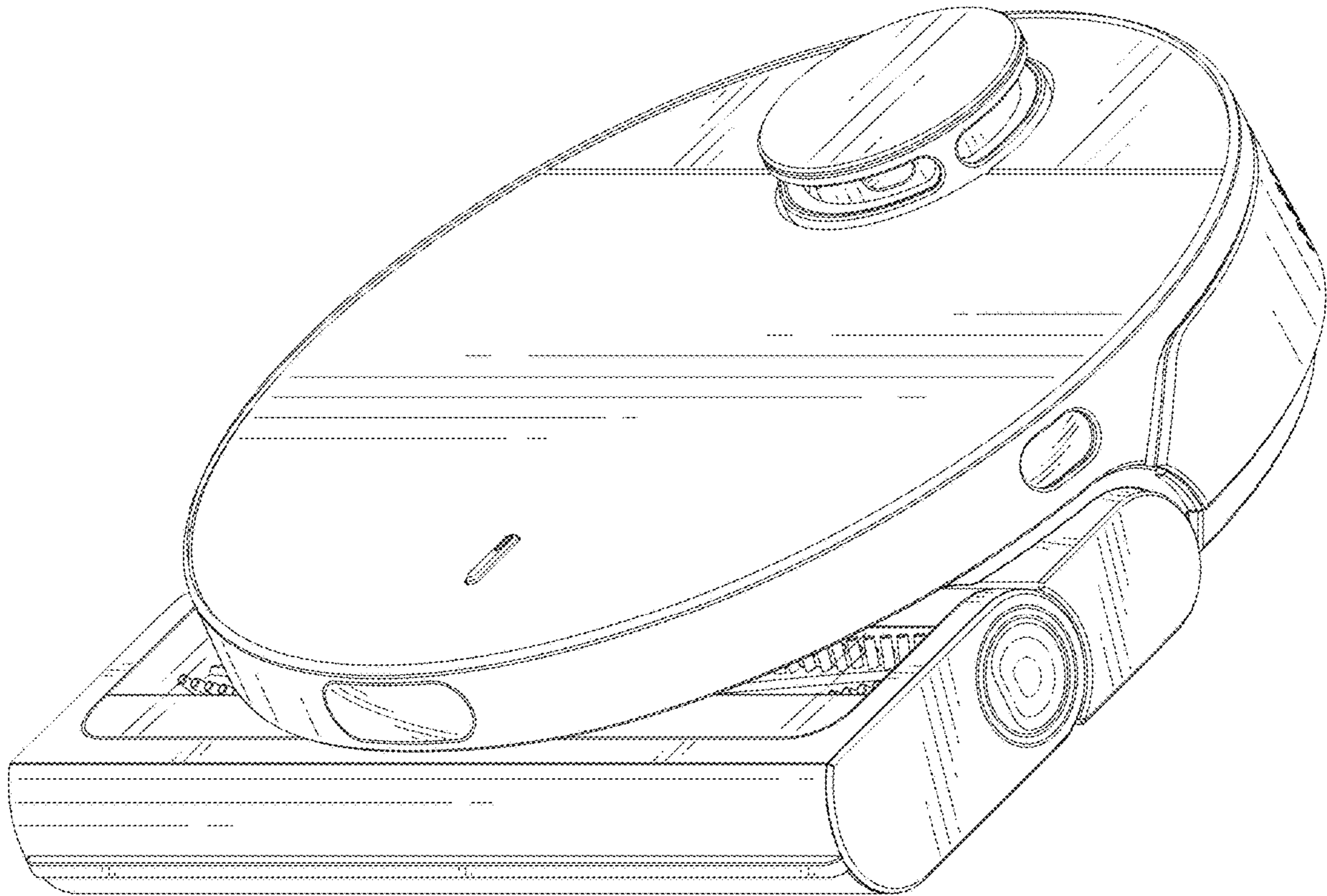
1.5



1.6



1.7



1.8

