



US00D933317S

(12) **United States Design Patent** (10) **Patent No.:** **US D933,317 S**  
**Liu** (45) **Date of Patent:** **\*\* Oct. 12, 2021**

(54) **VACUUM**

FOREIGN PATENT DOCUMENTS

(71) Applicant: **BLACK & DECKER INC.**, New Britain, CT (US)

CA 131158 \* 1/2010  
CA 137820 \* 6/2011

(Continued)

(72) Inventor: **Chao Lein Liu**, Taichung (TW)

OTHER PUBLICATIONS

(73) Assignee: **BLACK & DECKER INC.**, New Britain, CT (US)

Stanley SL18910P-3 Wet-Dry Portable Car Vacuum, available in Amazon.com, customer review oldest date Feb. 26, 2020 [online], [site visited Nov. 16, 2020], Available from the internet URL: [https://www.amazon.com/dp/B07QG3X6KQ/ref=cm\\_sw\\_r\\_em\\_apafabc\\_gH1PFb3V8QAXY?\\_encoding=UTF8&psc=1](https://www.amazon.com/dp/B07QG3X6KQ/ref=cm_sw_r_em_apafabc_gH1PFb3V8QAXY?_encoding=UTF8&psc=1) (Year: 2020).\*

(Continued)

(\*\*) Term: **15 Years**

(21) Appl. No.: **29/682,682**

(22) Filed: **Mar. 7, 2019**

(51) **LOC (13) Cl.** ..... **15-05**

(52) **U.S. Cl.**  
USPC ..... **D32/21**

(58) **Field of Classification Search**

USPC .... D32/17, 18, 21, 22, 23, 24, 31; D21/526; D3/276, 294

CPC ... A47L 5/24; A47L 5/225; A47L 5/28; A47L 5/30; A47L 5/34; A47L 5/362; A47L 5/365; A47L 9/0411; A47L 9/1409; A47L 9/1481; A47L 9/16; A47L 9/1608; A47L 9/1675; A47L 9/1683; A47L 9/1691; A47L 9/2852; A47L 9/32; A47L 9/322; A47L 9/325; A47L 11/20; A47L 11/24; A47L 11/26; A47L 11/28; A47L 11/30; A47L 11/302; A47L 11/34; A47L 11/4011; A47L 11/4036; A47L 11/4044; A47L 11/4052; A47L 11/4083; A47L 13/225; A47L 2201/00; A47L 2201/022; A14L 7/0004; A14L 7/0095; B23Q 11/0046; B23Q 11/0071; B25D 16/00; B04C 1/00; B04C 5/185; D01H 11/005; D01H 5/645; F26B 11/12

See application file for complete search history.

(56) **References Cited**

U.S. PATENT DOCUMENTS

D183,192 S \* 7/1958 Sixten ..... D32/24  
D206,574 S \* 1/1967 Cook ..... D32/24

(Continued)

*Primary Examiner* — Dana K Weiland  
*Assistant Examiner* — Jennylou M Binas  
(74) *Attorney, Agent, or Firm* — Adan Ayala

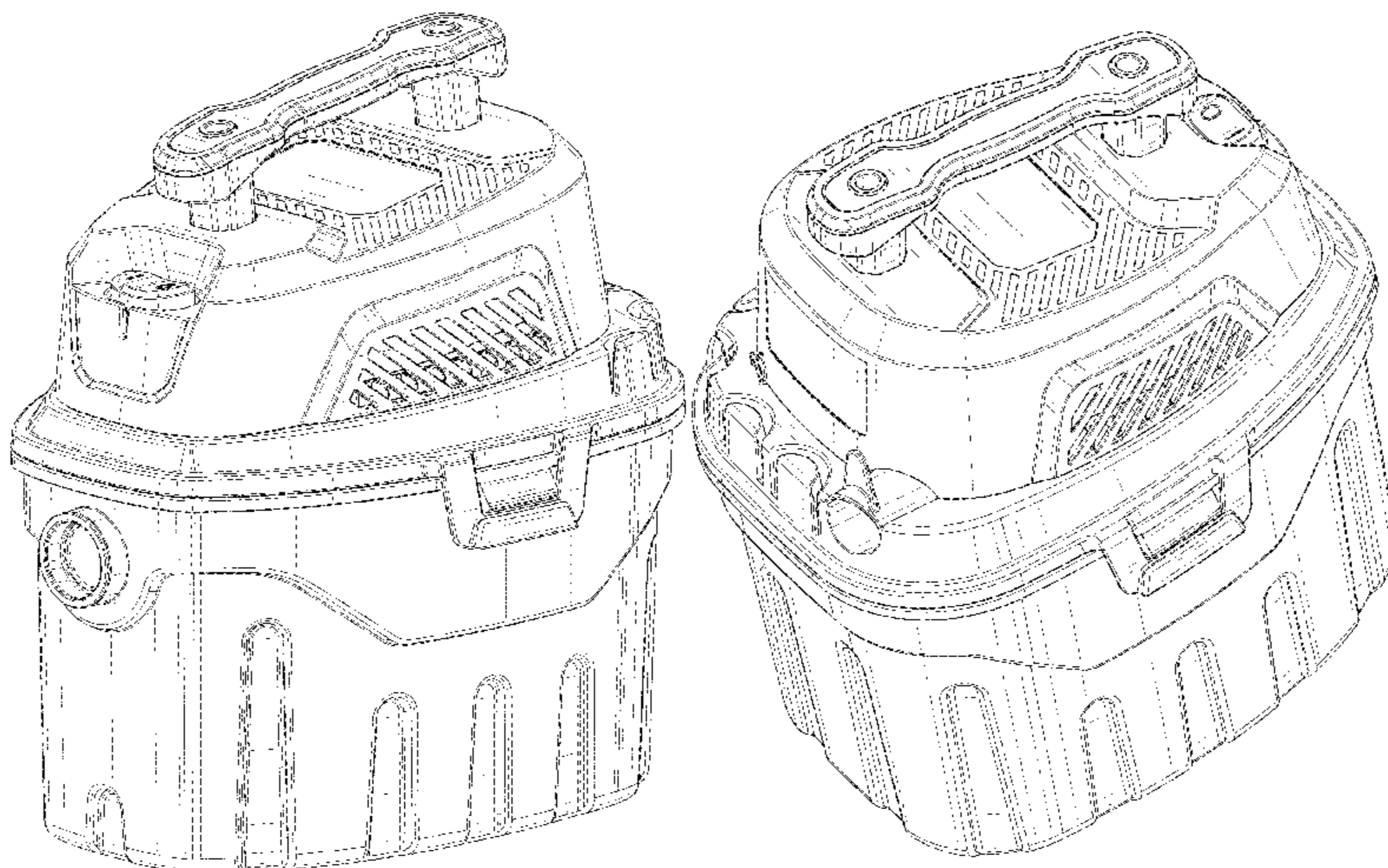
(57) **CLAIM**

The ornamental design for a vacuum, as shown and described.

**DESCRIPTION**

FIG. 1 is a front, left perspective view of a vacuum according to the invention.  
FIG. 2 is a top, rear, right side perspective view of the vacuum of FIG. 1.  
FIG. 3 is a rear view of the vacuum of FIG. 1.  
FIG. 4 is a front side view of the vacuum of FIG. 1.  
FIG. 5 is a right side view of the vacuum of FIG. 1.  
FIG. 6 is a left view of the vacuum of FIG. 1.  
FIG. 7 is a top plan view of the vacuum of FIG. 1; and, FIG. 8 is a bottom plan view of the vacuum of FIG. 1.  
The broken lines shown in the drawings depict portions of the vacuum that form no part of the claimed design.

**1 Claim, 8 Drawing Sheets**



(56)

References Cited

U.S. PATENT DOCUMENTS

4,845,793 A \* 7/1989 Meyer ..... A47L 5/225  
15/328  
D341,009 S \* 11/1993 Berfield ..... D32/1  
D386,842 S \* 11/1997 Hoshino ..... D32/21  
5,819,365 A \* 10/1998 Huffman ..... A47L 1/08  
15/321  
D418,643 S \* 1/2000 Hoshino ..... D32/21  
6,101,669 A \* 8/2000 Martin ..... A47L 5/365  
15/327.2  
D528,256 S \* 9/2006 Beth ..... D32/21  
D537,992 S \* 3/2007 Hoshino ..... D32/24  
D568,562 S \* 5/2008 Griffin ..... D32/23  
D568,565 S \* 5/2008 Griffin ..... D32/31  
D571,513 S \* 6/2008 Griffin ..... D32/21  
D581,114 S \* 11/2008 Crevling, Jr. .... D32/23  
D595,910 S \* 7/2009 Hollis ..... D32/21  
D596,359 S \* 7/2009 Hollis ..... D32/21  
D619,770 S \* 7/2010 Moore, Jr. .... D32/24  
D647,260 S \* 10/2011 Hollis ..... D32/21  
D746,523 S \* 12/2015 Jin ..... D32/21  
D879,396 S \* 3/2020 Knight ..... D32/31  
D880,087 S \* 3/2020 Knight ..... D32/24  
D912,342 S \* 3/2021 Liu ..... D32/21  
D912,343 S \* 3/2021 Liu ..... D32/21  
10,986,975 B2 \* 4/2021 Rukavina ..... A47L 11/30  
D919,913 S \* 5/2021 Grebing ..... D32/31  
D920,607 S \* 5/2021 Del Toro ..... D32/18  
D920,608 S \* 5/2021 Liu ..... D32/21  
D920,610 S \* 5/2021 Aschoff ..... D32/21  
2009/0095360 A1 \* 4/2009 Kunz ..... A47L 9/22  
137/565.23  
2012/0073077 A1 \* 3/2012 Ishikawa ..... A47L 9/2805  
15/347

2013/0007984 A1 \* 1/2013 Liu ..... A47L 9/1666  
15/413  
2014/0215750 A1 \* 8/2014 Schultz ..... A47L 9/26  
15/323  
2015/0074936 A1 \* 3/2015 Plato ..... A47L 7/0004  
15/324  
2021/0153709 A1 \* 5/2021 Luyckx ..... A47L 11/4008

FOREIGN PATENT DOCUMENTS

CN 85300365 \* 2/1986  
CN 300759515 \* 3/2008  
CN 300904484 \* 4/2009

OTHER PUBLICATIONS

Porter-Cable 20V Max, announced in YouTube on Sep. 7, 2017 [online], [site visited Nov. 16, 2020], Available from the internet URL: <https://www.youtube.com/watch?v=63m6XsW0JD0> (Year: 2017).\*

RIDGID 50313 4000RV Portable Wet-Dry Vacuum, available in Amazon.com, date first available Jul. 14, 2015 [online], [site visited Nov. 16, 2020], Available from the internet URL: [https://www.amazon.com/dp/B011KF44YQ/ref=cm\\_sw\\_r\\_em\\_apa\\_fabc\\_492PFbWNZAZYS](https://www.amazon.com/dp/B011KF44YQ/ref=cm_sw_r_em_apa_fabc_492PFbWNZAZYS) (Year: 2015).\*

Armor All, available Amazon.com, first date available May 13, 2010 [online], [site visited Nov. 16, 2020], URL: [https://www.amazon.com/Armor-Gallon-Utility-Vacuum-AA255/dp/B003M2F7NI/ref=sr\\_1\\_1?dchild=1&keywords=Armor+All%2C+AA255+%2C+2.5+Gallon+2+Peak+HP+Wet%2FDry+Utility+Shop+Vacuum&qid=1605647290&s=hi&sr=1-1](https://www.amazon.com/Armor-Gallon-Utility-Vacuum-AA255/dp/B003M2F7NI/ref=sr_1_1?dchild=1&keywords=Armor+All%2C+AA255+%2C+2.5+Gallon+2+Peak+HP+Wet%2FDry+Utility+Shop+Vacuum&qid=1605647290&s=hi&sr=1-1) (Year: 2010).\*

\* cited by examiner

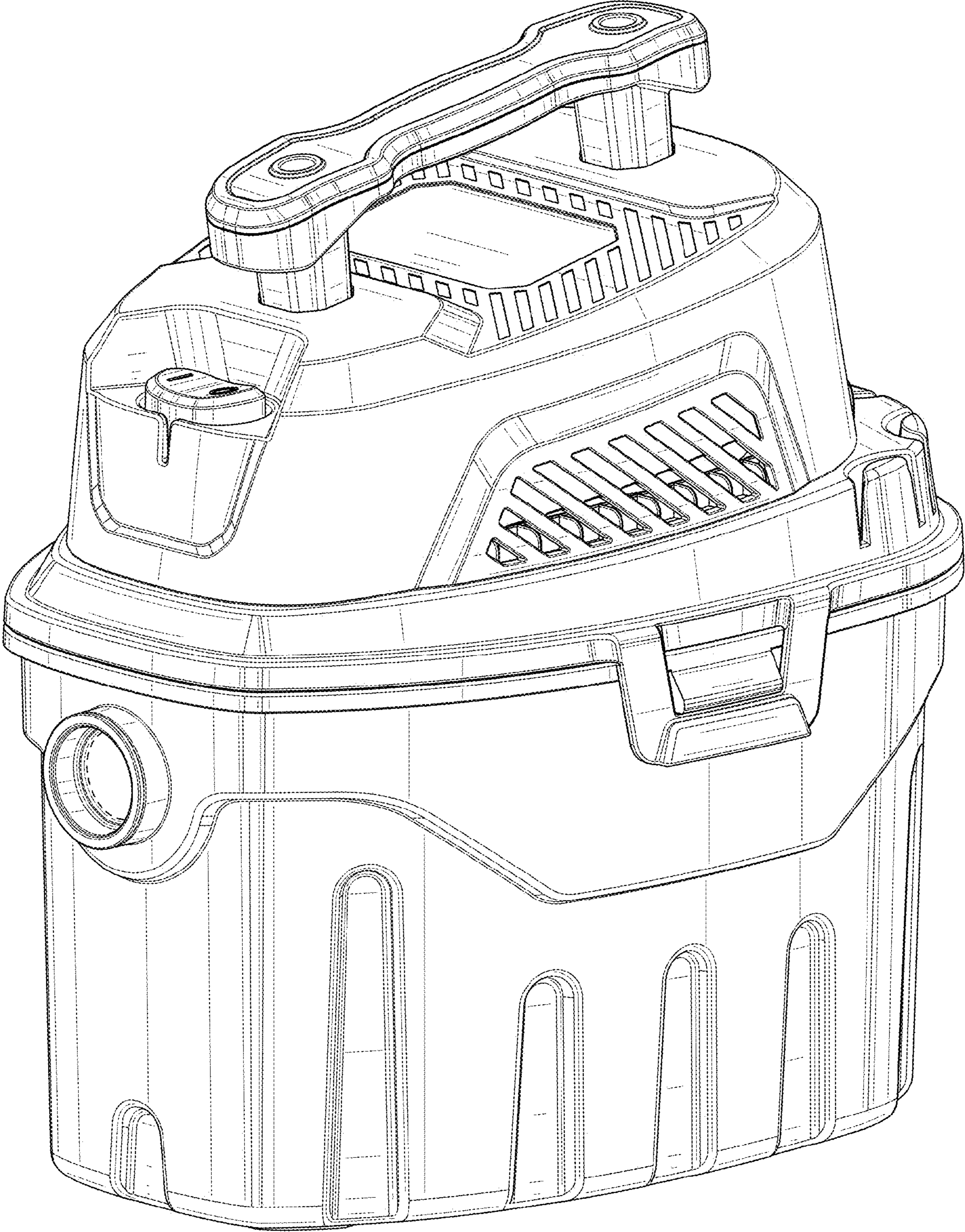


FIG. 1

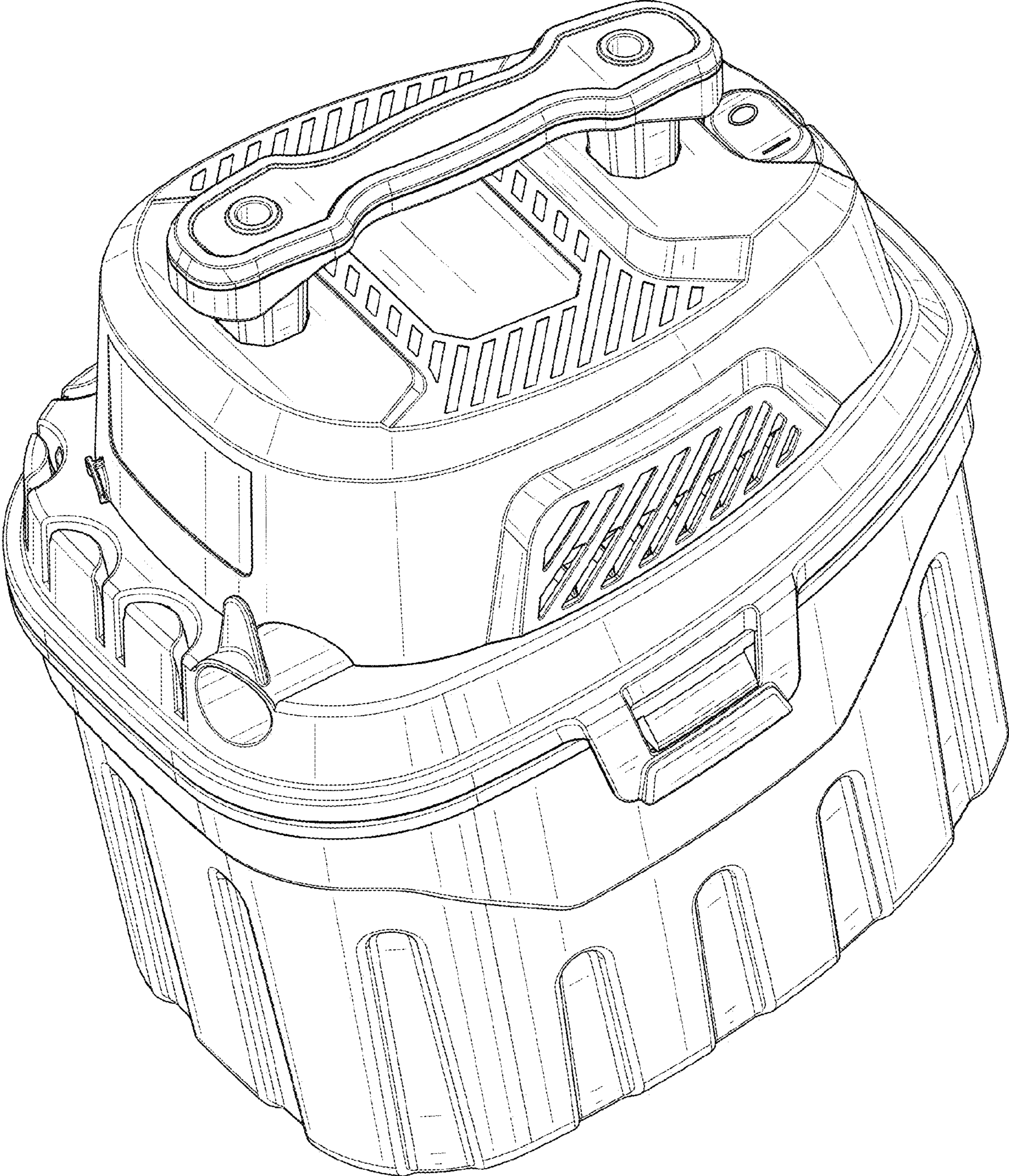


FIG. 2

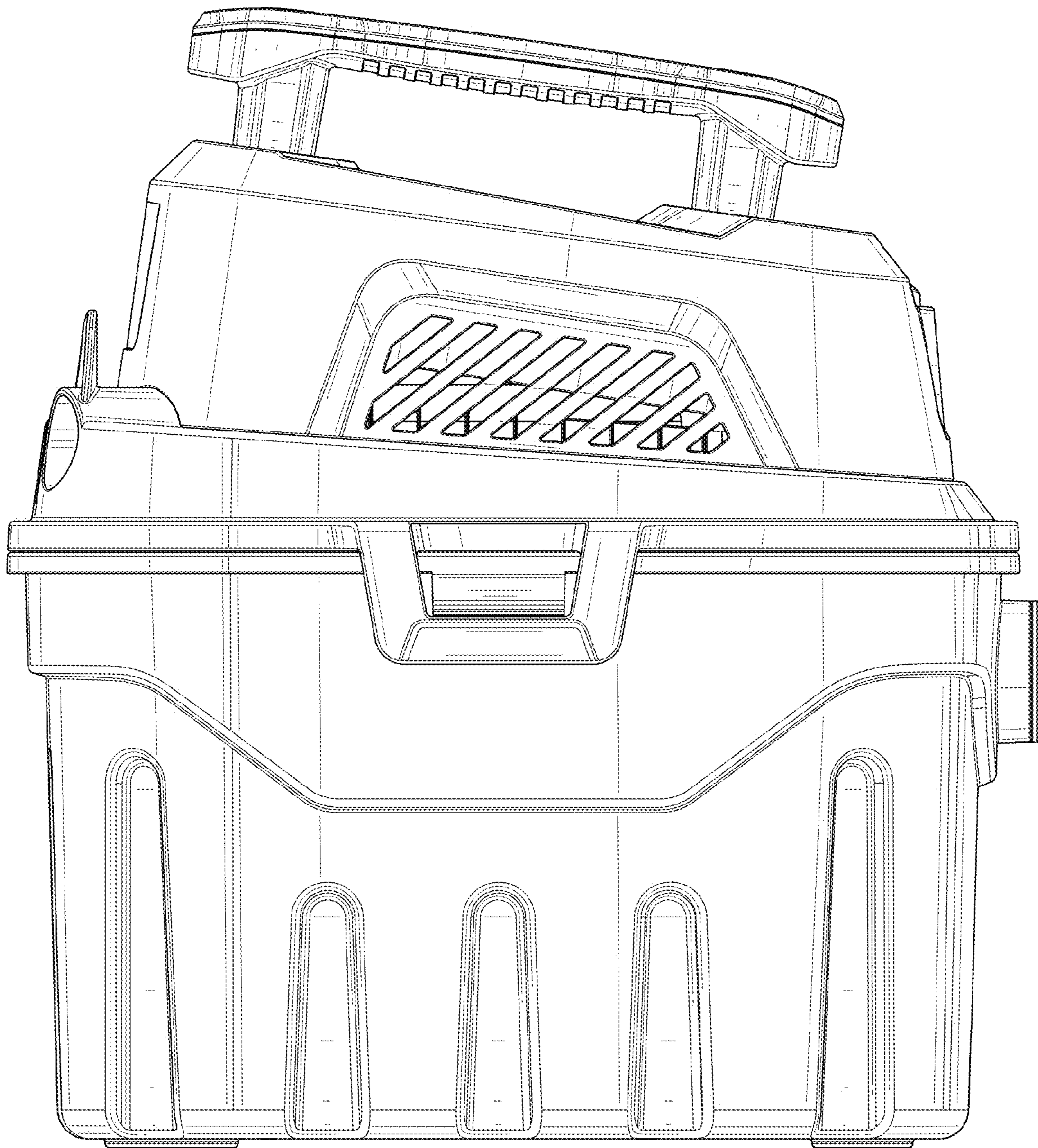


FIG. 3

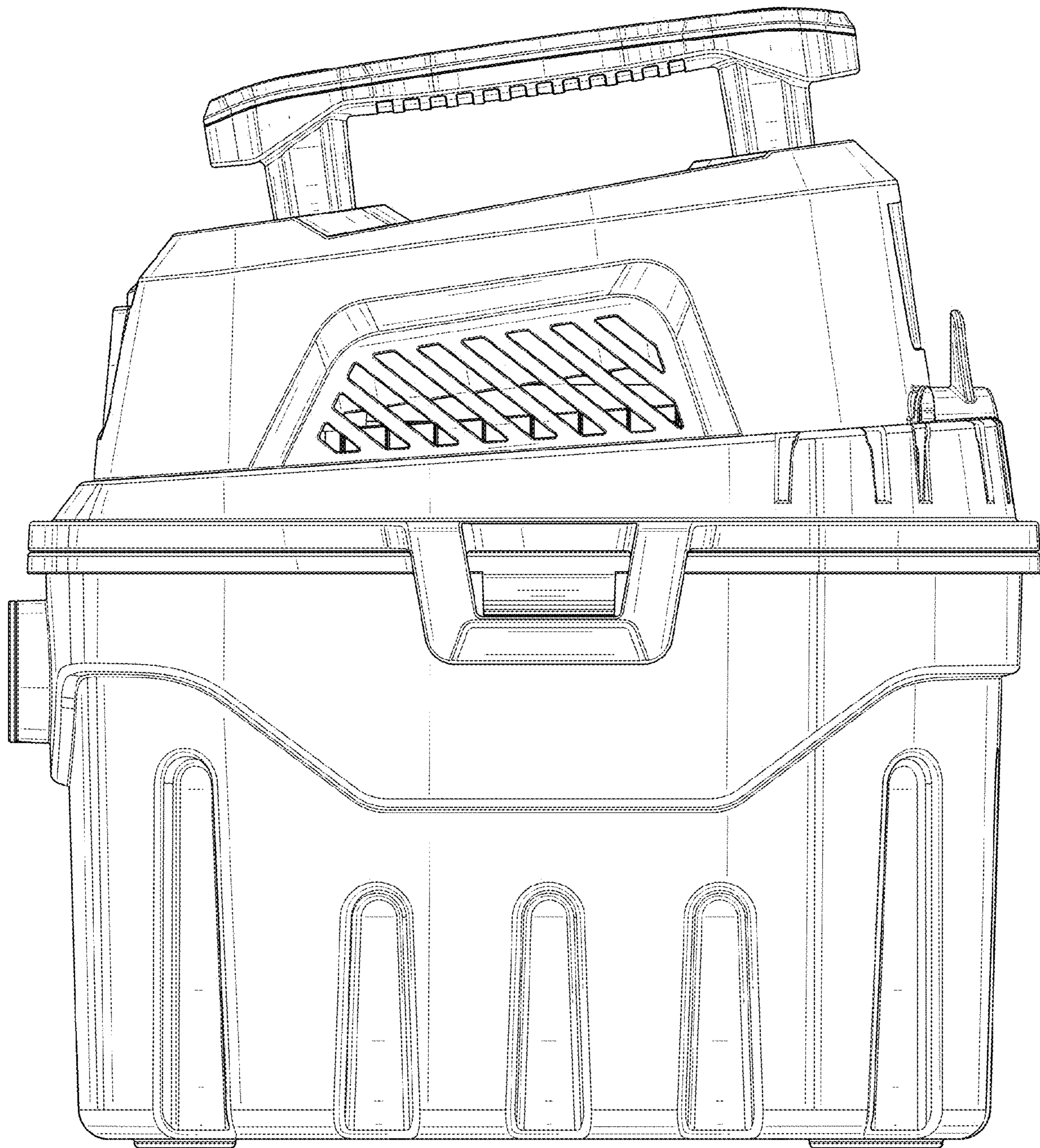


FIG. 4

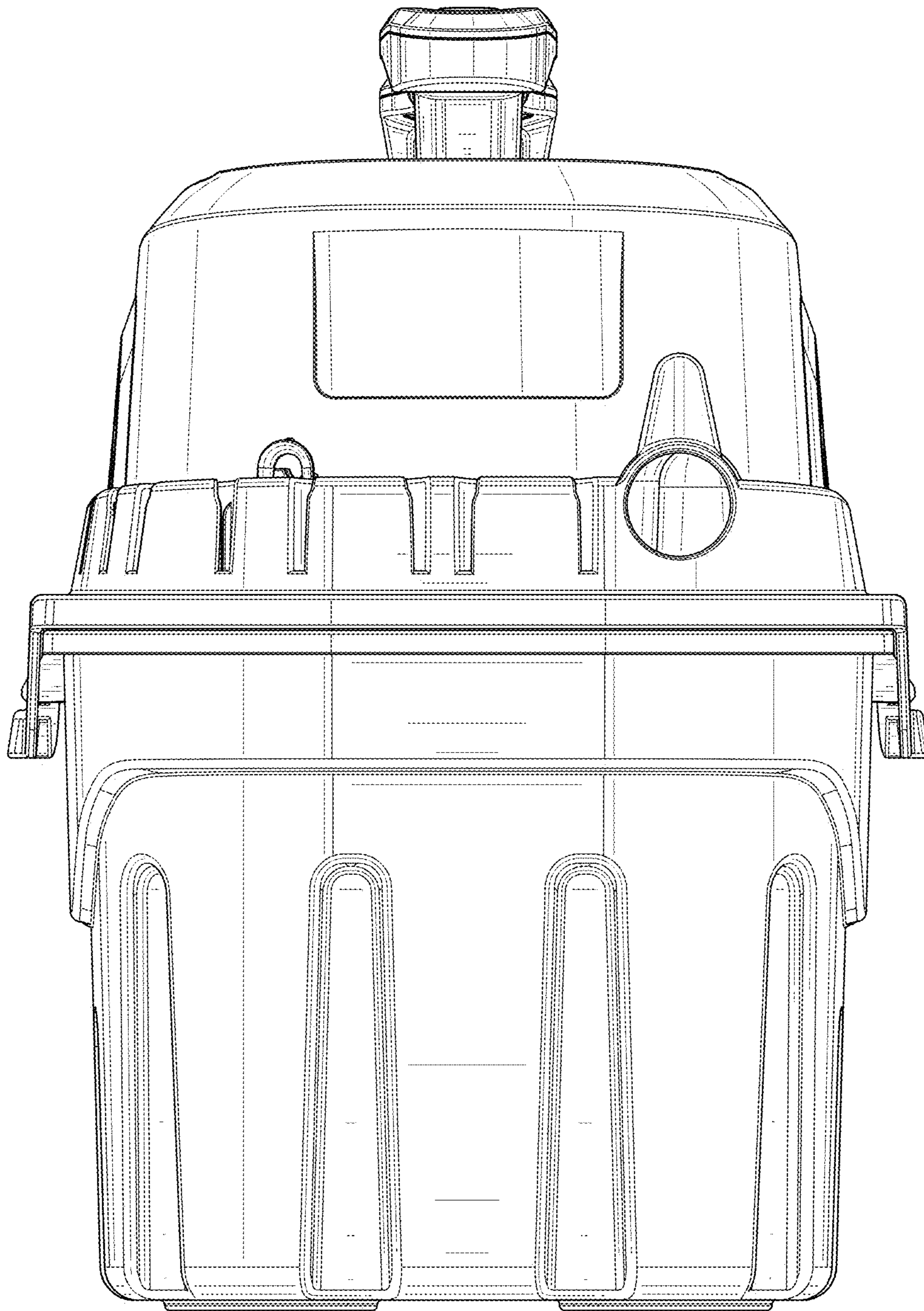


FIG. 5

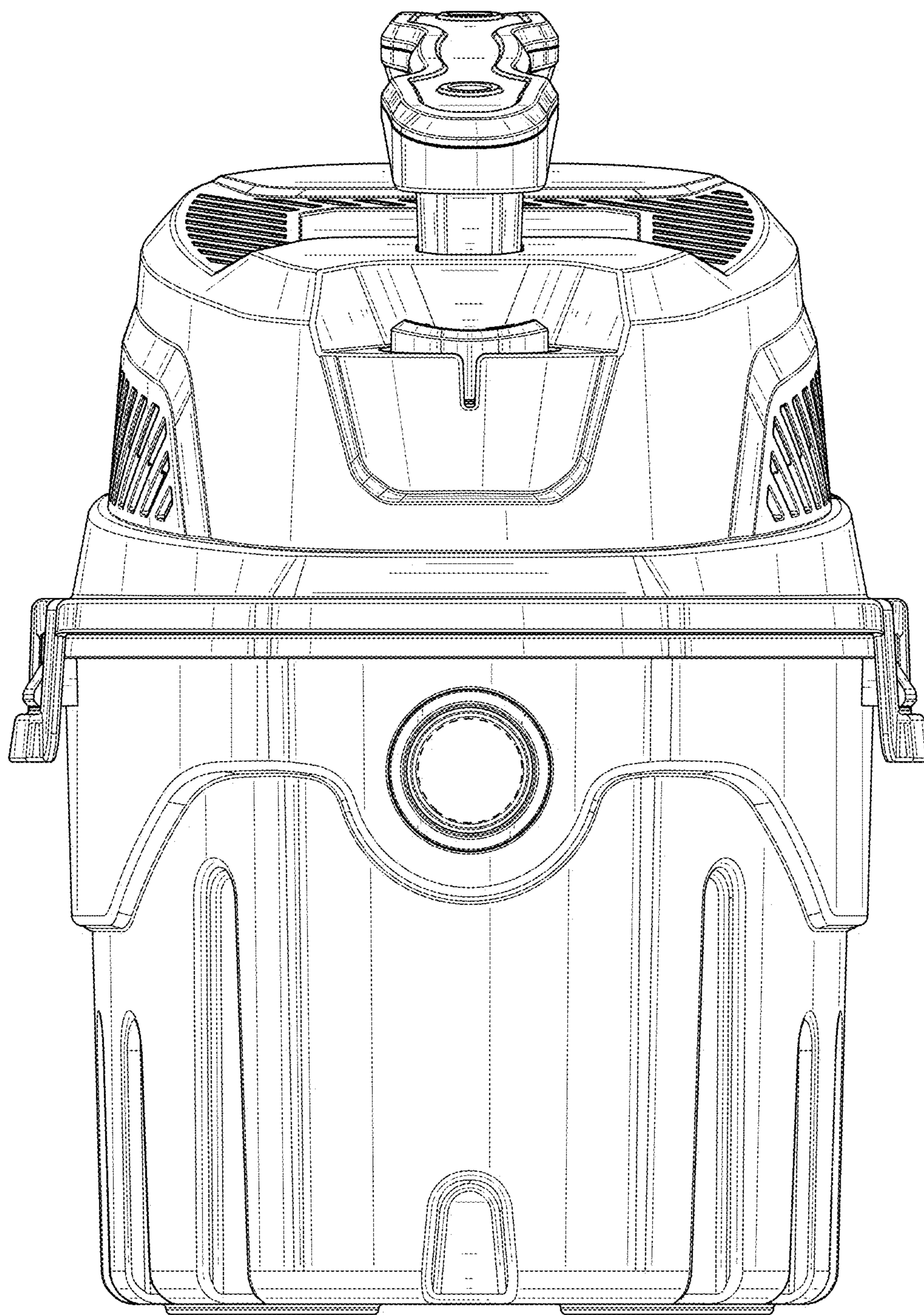


FIG. 6



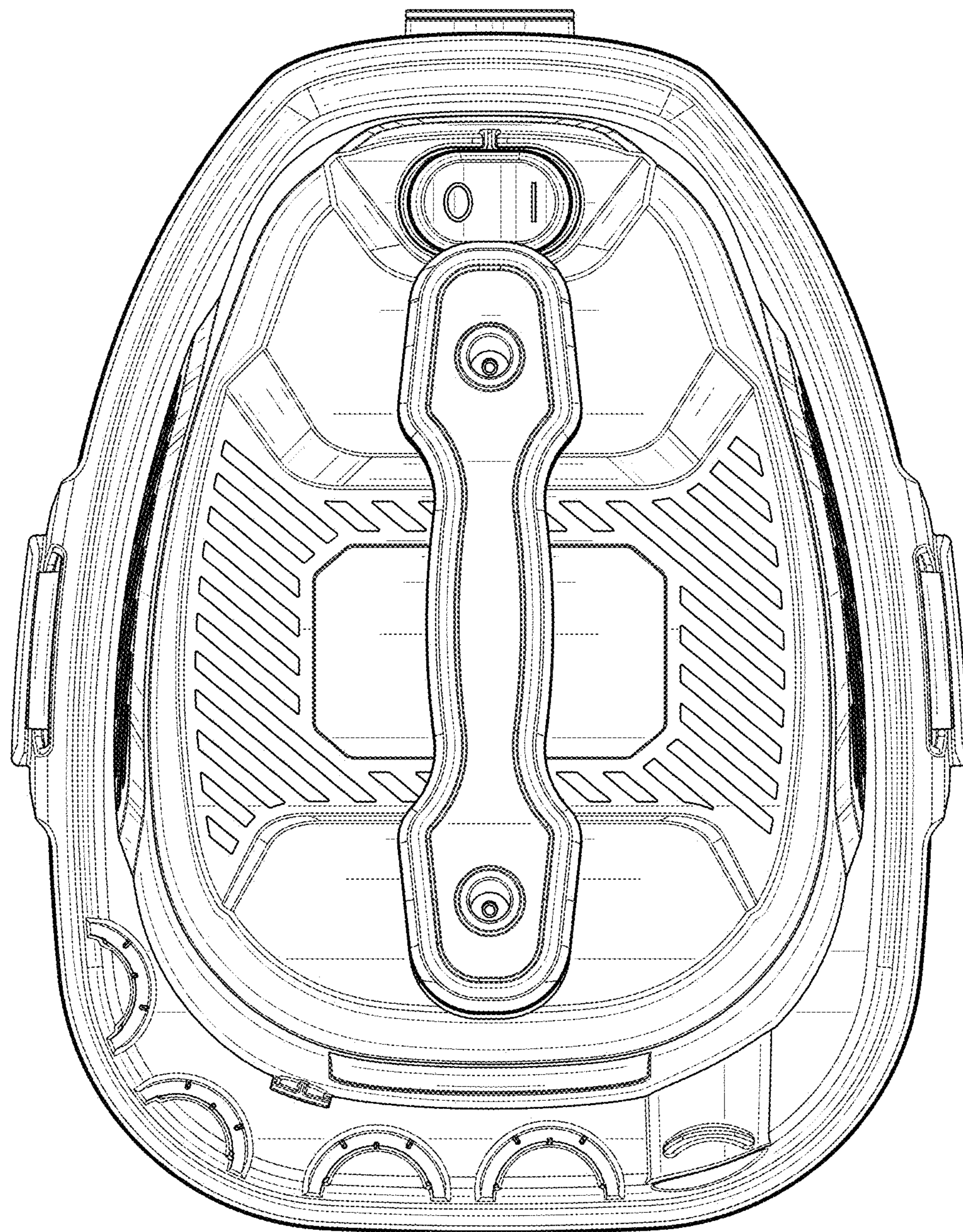


FIG. 7

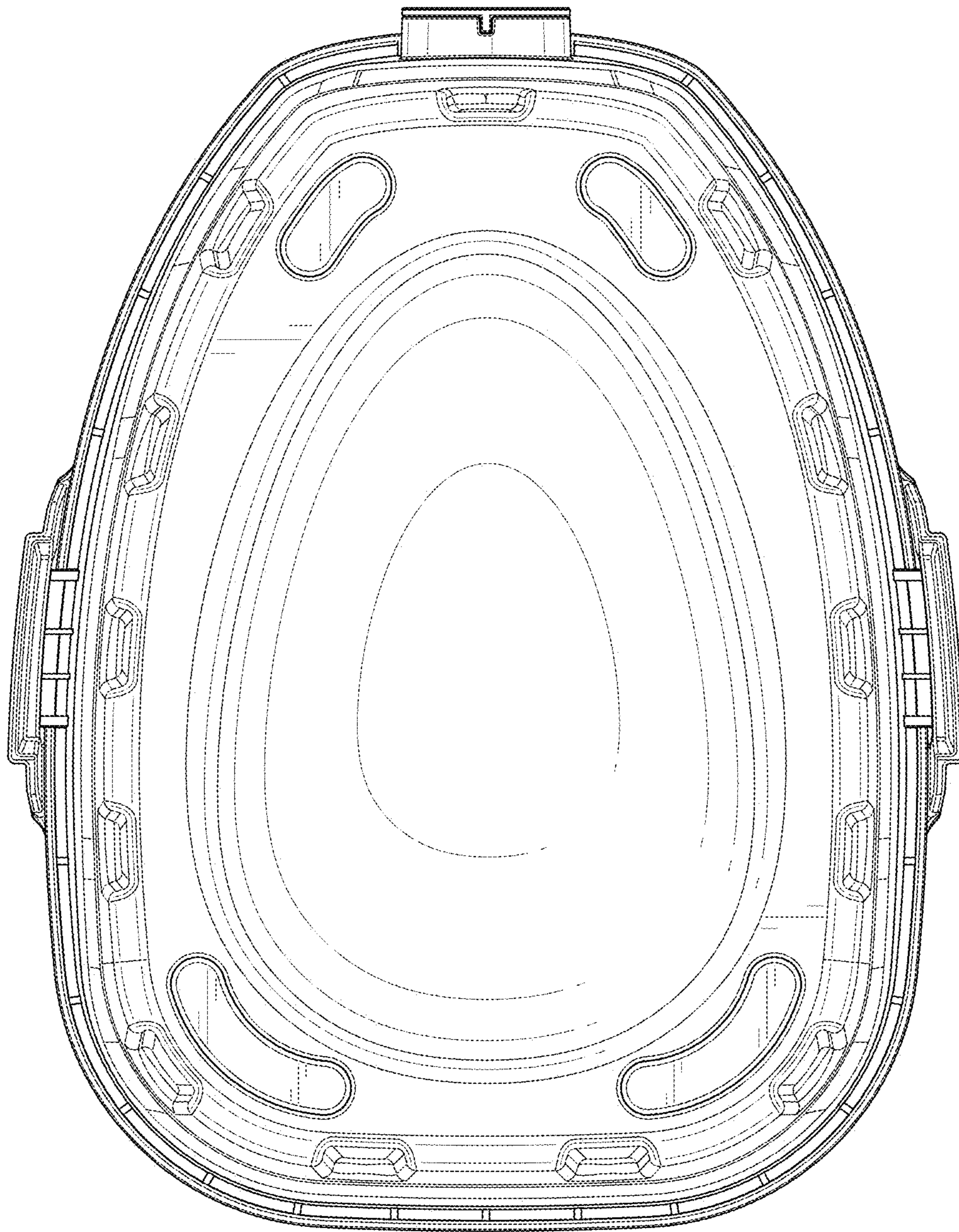


FIG. 8