



US00D933316S

(12) **United States Design Patent**  
**Alexander**

(10) **Patent No.:** **US D933,316 S**  
(45) **Date of Patent:** **\*\* Oct. 12, 2021**

(54) **PRESSURE WASHER**  
(71) Applicant: **FNA Group, Inc.**, Pleasant Prairie, WI (US)  
(72) Inventor: **Gus Alexander**, Inverness, IL (US)  
(73) Assignee: **FNA GROUP, INC.**, Pleasant Prairie, WI (US)

6,935,642 B1 \* 8/2005 Craig ..... B08B 3/026 280/47.24  
D529,670 S \* 10/2006 Hendy ..... D32/15  
D531,767 S \* 11/2006 Hastie ..... D32/15  
D532,942 S \* 11/2006 Busschaert ..... D32/15  
7,316,286 B2 \* 1/2008 Hillary ..... B05B 9/0855 180/291

(Continued)

(\*\*) Term: **15 Years**  
(21) Appl. No.: **29/714,690**  
(22) Filed: **Nov. 25, 2019**

(51) **LOC (13) Cl.** ..... **15-05**  
(52) **U.S. Cl.**  
USPC ..... **D32/15**  
(58) **Field of Classification Search**  
USPC ..... D15/9; D32/1, 15, 16, 25  
CPC ..... B05B 9/0855; B05B 9/007; B05B 5/085;  
F04B 17/06; B08B 3/026; B08B 3/024;  
B62B 5/065; B05D 1/02  
See application file for complete search history.

**OTHER PUBLICATIONS**

<https://thedailychronicle.in/news/1550938/global-residential-high-pressure-washers-market-2020-growth-factors-karcher-fna-group-nilfisk-briggs-and-stratton/> (Year: 2020).\*

(Continued)

*Primary Examiner* — Michelle E. Wilson  
*Assistant Examiner* — Richard E Yenchesky  
(74) *Attorney, Agent, or Firm* — Hanley, Flight & Zimmerman, LLC

(57) **CLAIM**

The ornamental design for a “pressure washer”, as shown and described in FIGS. 1-7.

(56) **References Cited**

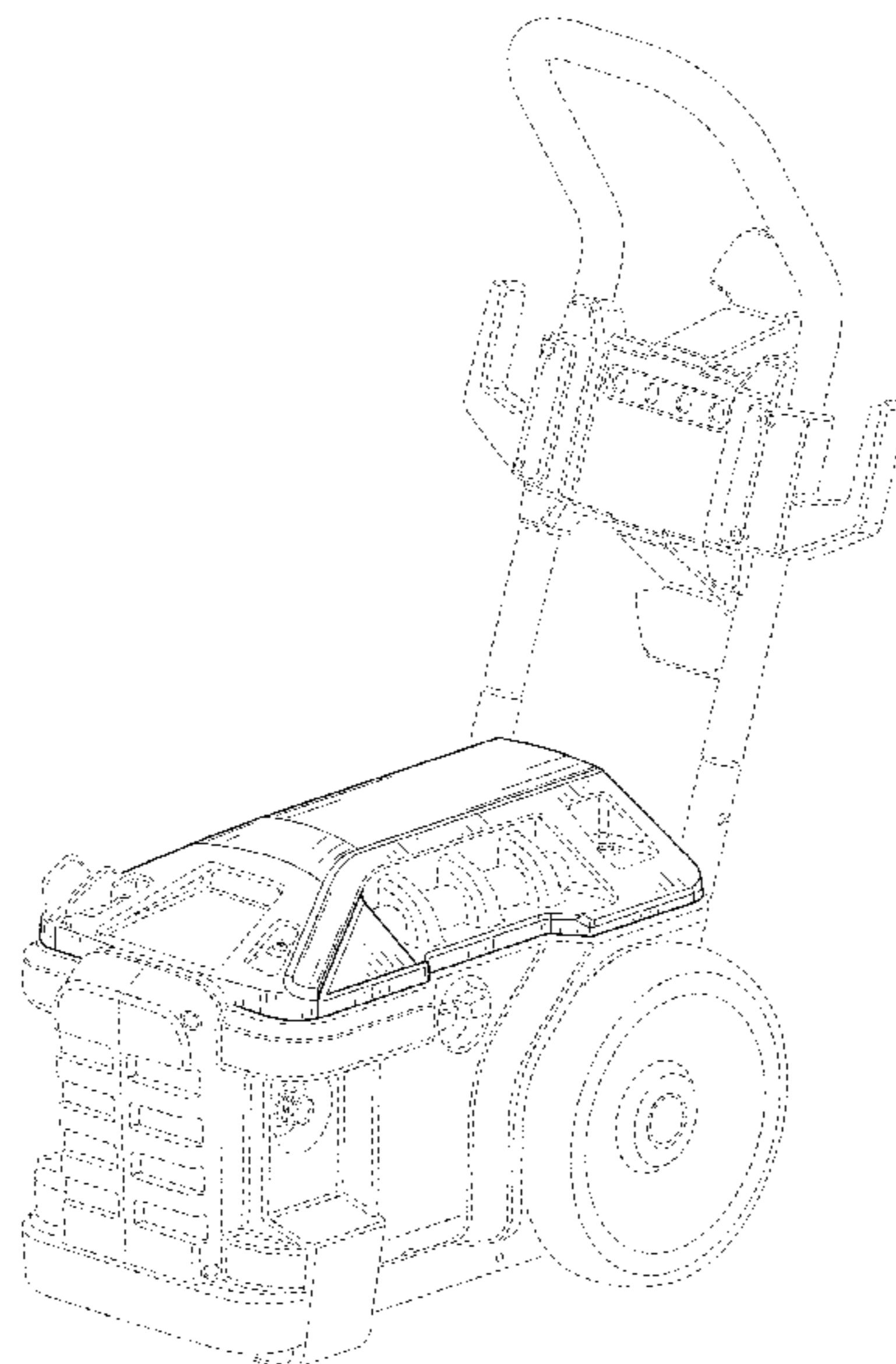
**U.S. PATENT DOCUMENTS**

3,940,065 A \* 2/1976 Ware ..... B05B 5/085 239/146  
D375,590 S \* 11/1996 Steinhart ..... D32/15  
D375,591 S \* 11/1996 Fryoux ..... D32/15  
D458,423 S \* 6/2002 Rehkugler ..... D32/1  
D463,888 S \* 10/2002 Rehkugler ..... B08B 3/026 D32/1  
D467,692 S \* 12/2002 Morgan ..... D32/15  
6,695,235 B2 \* 2/2004 Faller ..... B08B 3/026 239/722  
6,779,987 B2 \* 8/2004 Dexter ..... B08B 3/026 417/299  
D499,848 S \* 12/2004 Leasure ..... D32/15  
6,857,444 B2 \* 2/2005 Davis ..... B08B 3/026 137/115.06

**DESCRIPTION**

FIG. 1 is a front, right perspective view of a pressure washer. FIG. 2 is a rear, left perspective view of the pressure washer of FIG. 1. FIG. 3 is a front view of the pressure washer of FIG. 1. FIG. 4 is a rear view of the pressure washer of FIG. 1. FIG. 5 is a left view of the pressure washer of FIG. 1. FIG. 6 is a right view of the pressure washer of FIG. 1; and, FIG. 7 is a top view of the pressure washer of FIG. 1. The features shown in broken lines form no part of the claimed design. The lighter solid lines denote surfaces and contours. Line shading is not surface ornamentation.

**1 Claim, 7 Drawing Sheets**



(56)

References Cited

U.S. PATENT DOCUMENTS

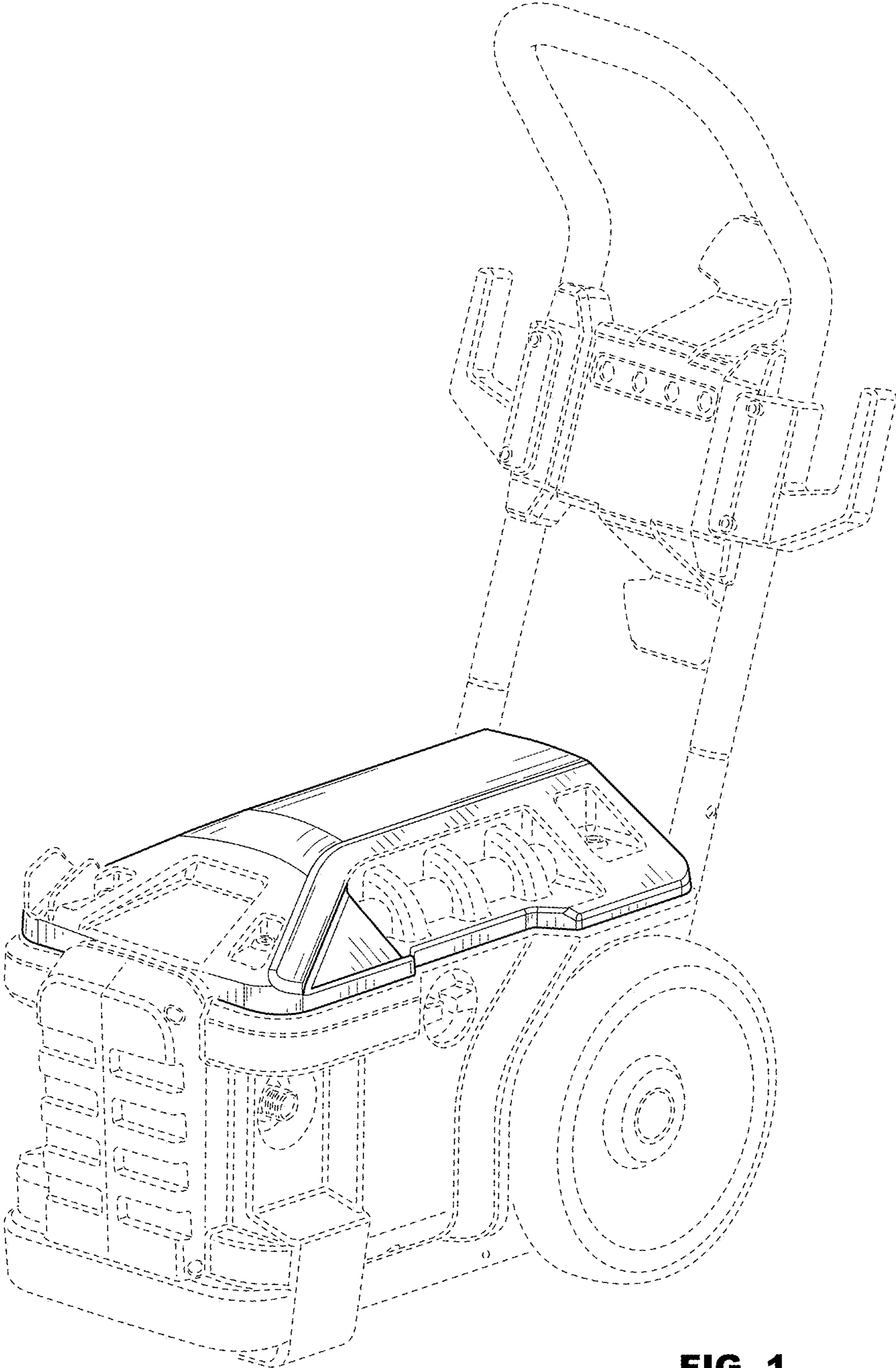
7,562,780 B2 \* 7/2009 Gilpatrick ..... B08B 3/026  
 211/70.6  
 D648,082 S \* 11/2011 Alexander ..... D32/15  
 D702,900 S \* 4/2014 Kahan ..... D32/16  
 D737,528 S \* 8/2015 Dammkoehler ..... D32/25  
 D778,011 S \* 1/2017 Alexander ..... D32/16  
 D779,744 S \* 2/2017 Weinberg ..... D32/16  
 D779,745 S \* 2/2017 Weinberg ..... D32/16  
 D779,746 S \* 2/2017 Weinberg ..... D32/16  
 D804,750 S \* 12/2017 Janik ..... D32/16  
 D809,721 S \* 2/2018 Venard ..... D32/15  
 D834,269 S \* 11/2018 Masters ..... D32/15  
 D836,272 S \* 12/2018 Janik ..... D32/15  
 D839,512 S \* 1/2019 Bearup ..... D32/25  
 D876,485 S \* 2/2020 Pauly ..... D15/9  
 D901,799 S \* 11/2020 Stariha ..... D32/25  
 10,835,933 B2 \* 11/2020 Luby ..... F04B 17/06  
 10,888,887 B2 \* 1/2021 Masters ..... B05B 9/007  
 D919,909 S \* 5/2021 Tschopp ..... D32/15

2005/0145270 A1 \* 7/2005 Ray ..... B05B 9/007  
 134/174  
 2006/0102745 A1 \* 5/2006 Dexter ..... B05B 9/0855  
 239/146  
 2007/0186813 A1 \* 8/2007 Smith ..... B05D 1/02  
 106/281.1  
 2012/0234938 A1 \* 9/2012 Bearup ..... B05B 9/007  
 239/147  
 2012/0234939 A1 \* 9/2012 Bearup ..... B08B 3/026  
 239/147  
 2013/0263394 A1 \* 10/2013 Larimore ..... B08B 3/024  
 15/21.1  
 2013/0270359 A1 \* 10/2013 Saxton ..... B62B 5/065  
 239/146

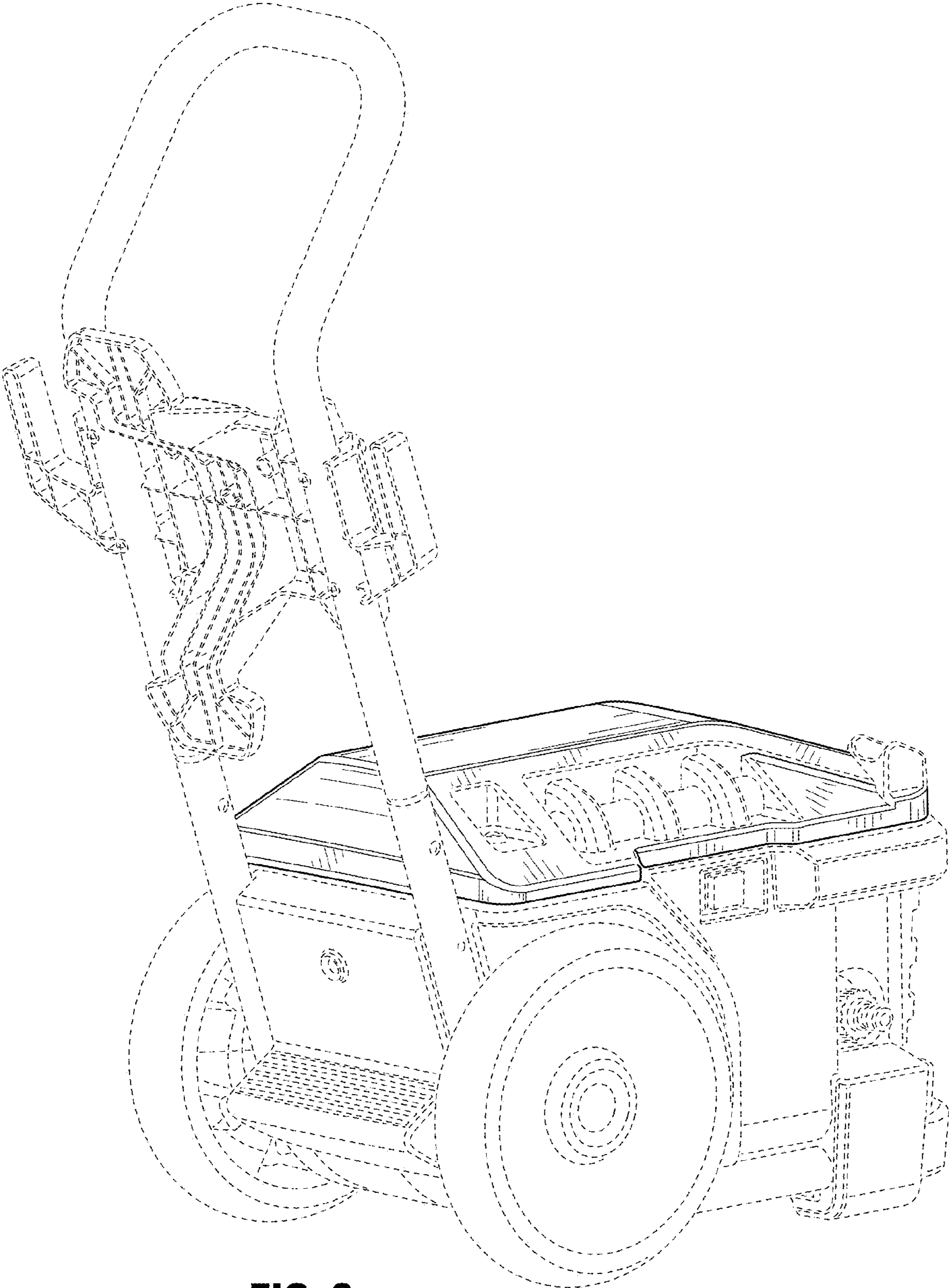
OTHER PUBLICATIONS

<https://www.lowes.com/pd/CRAFTSMAN-2800-PSI-2-3-GPM-Cold-Water-Gas-Pressure-Washer-with-Honda-Engine-CARB/1000397271> (Year: 2021).\*

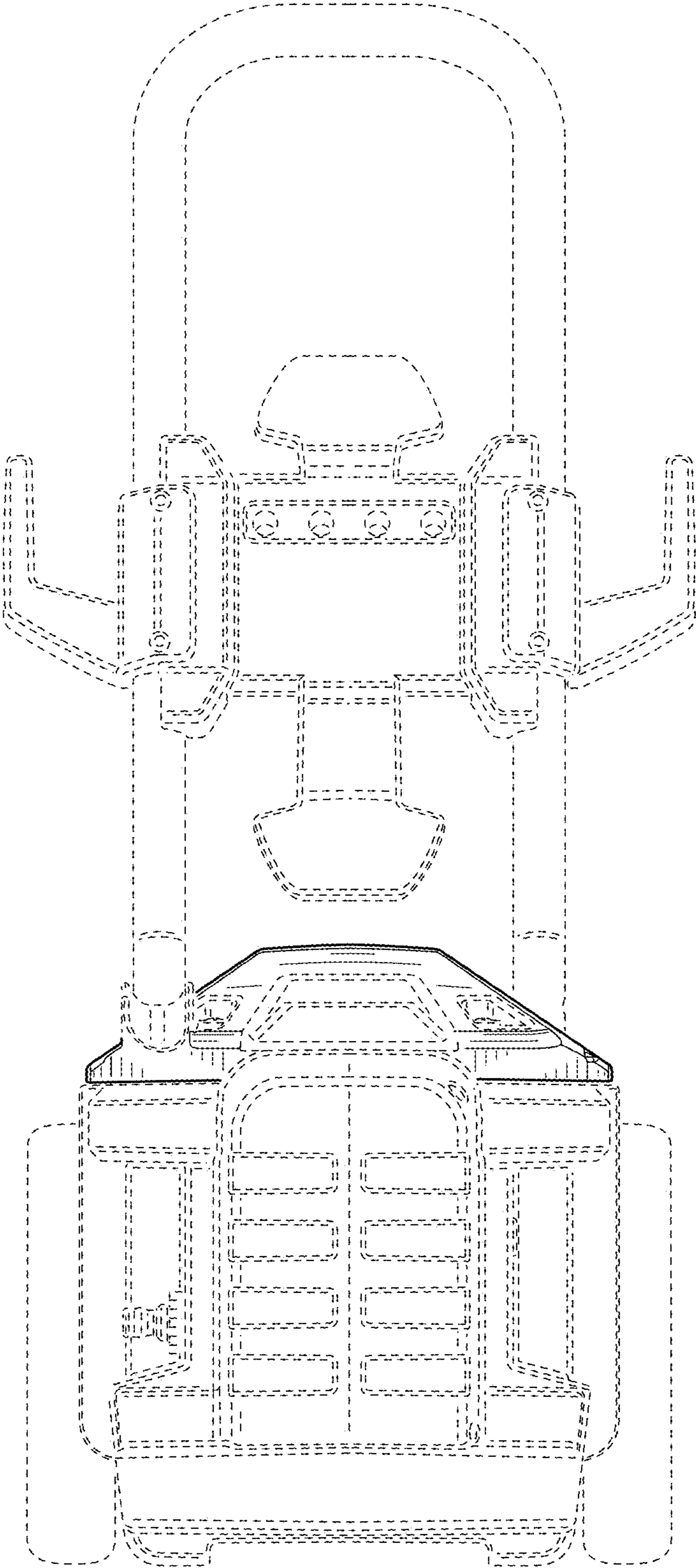
\* cited by examiner



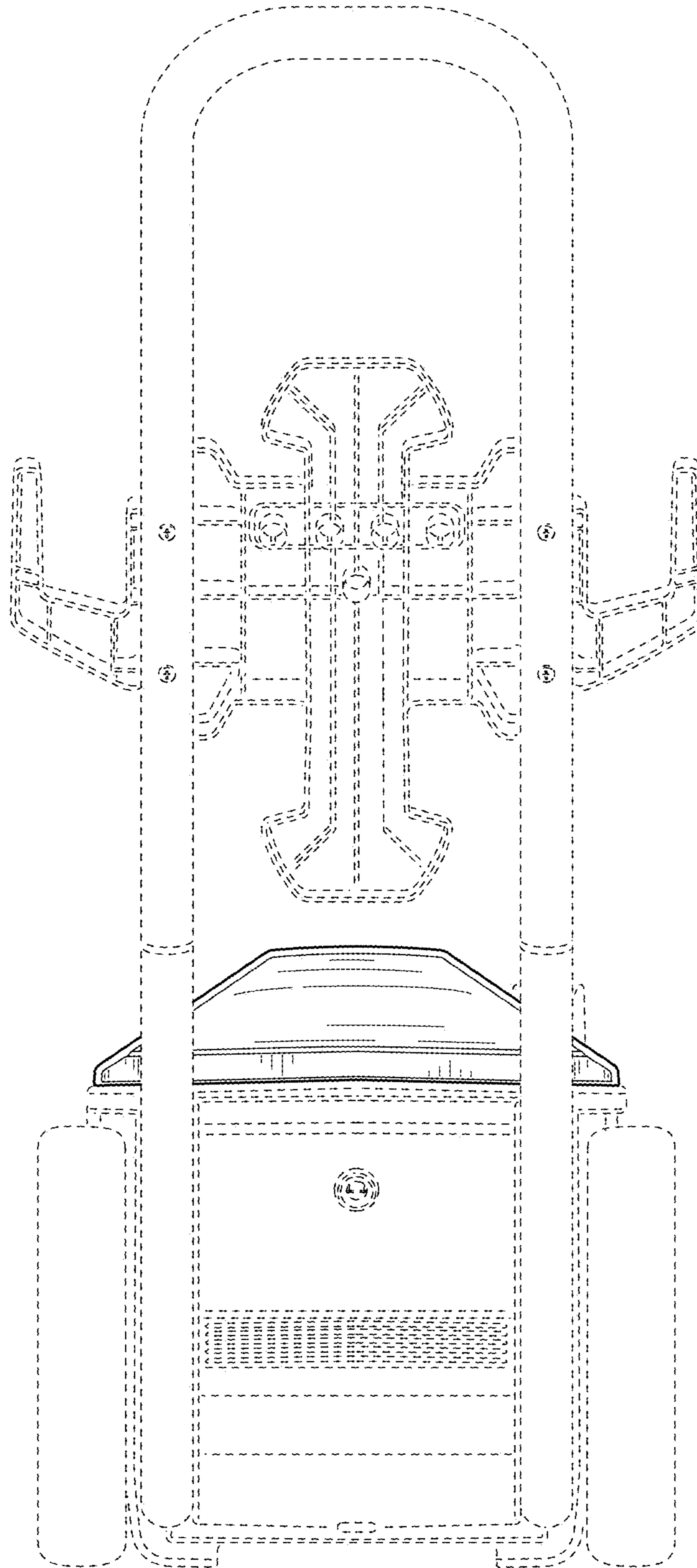
**FIG. 1**



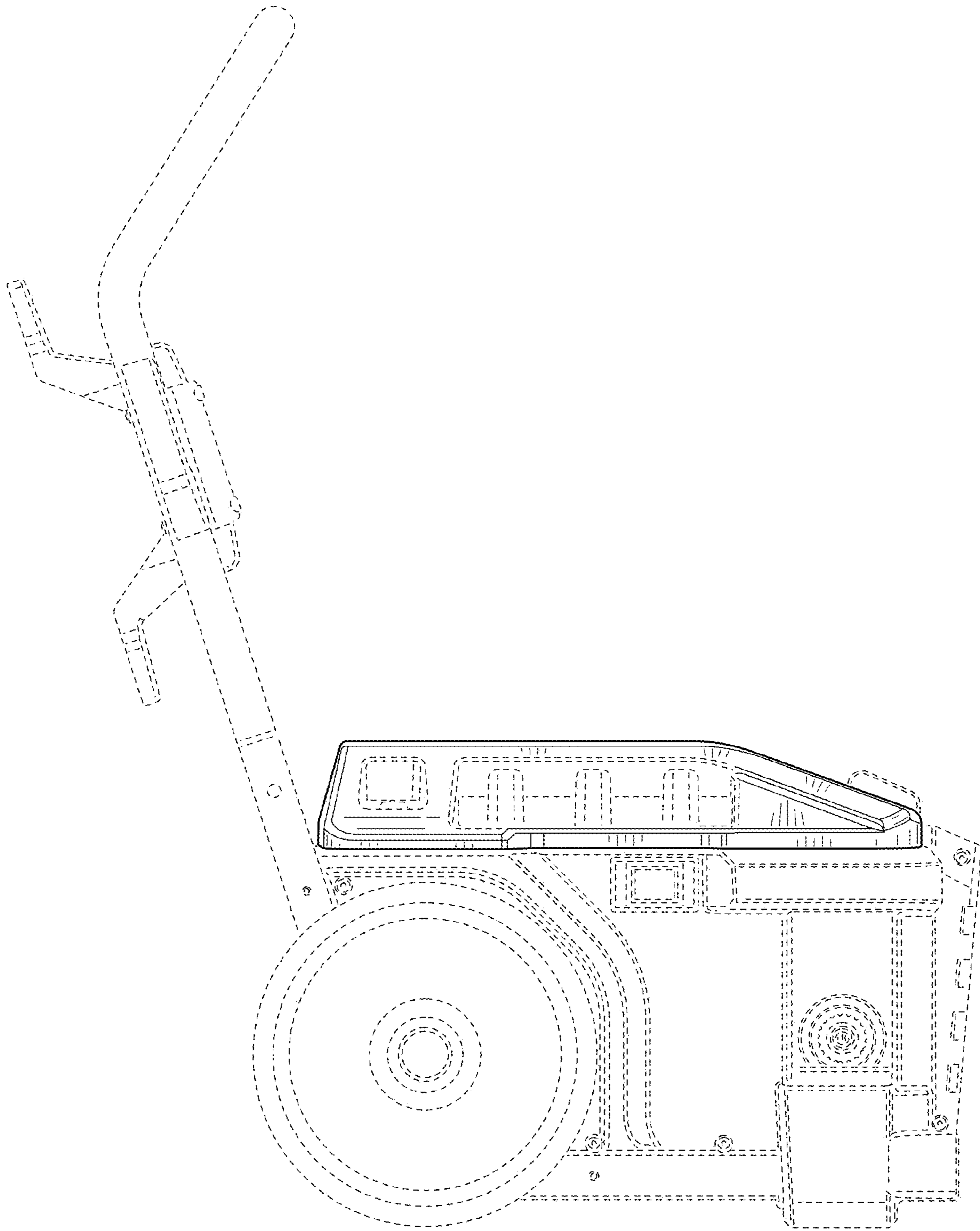
**FIG. 2**



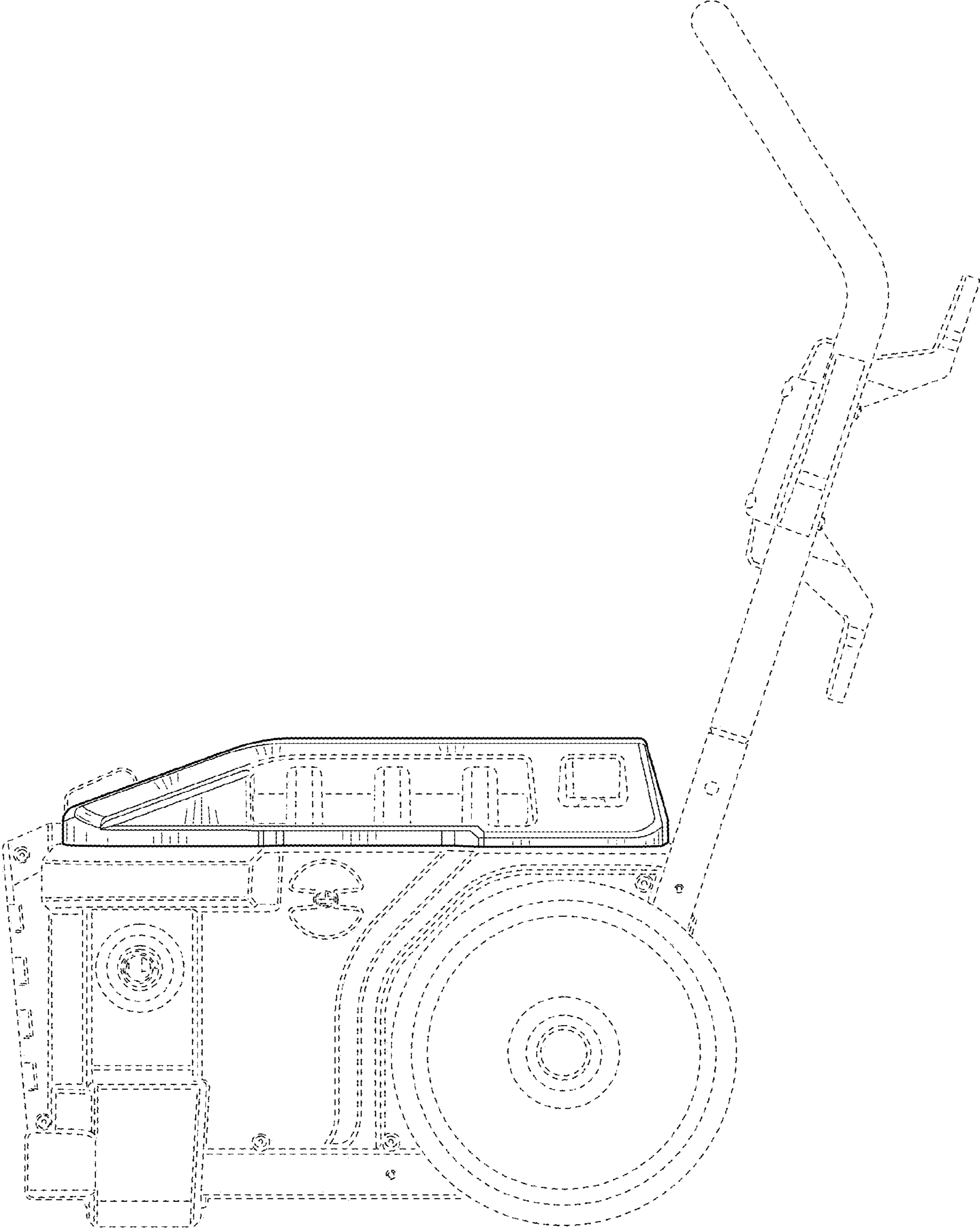
**FIG. 3**



**FIG. 4**

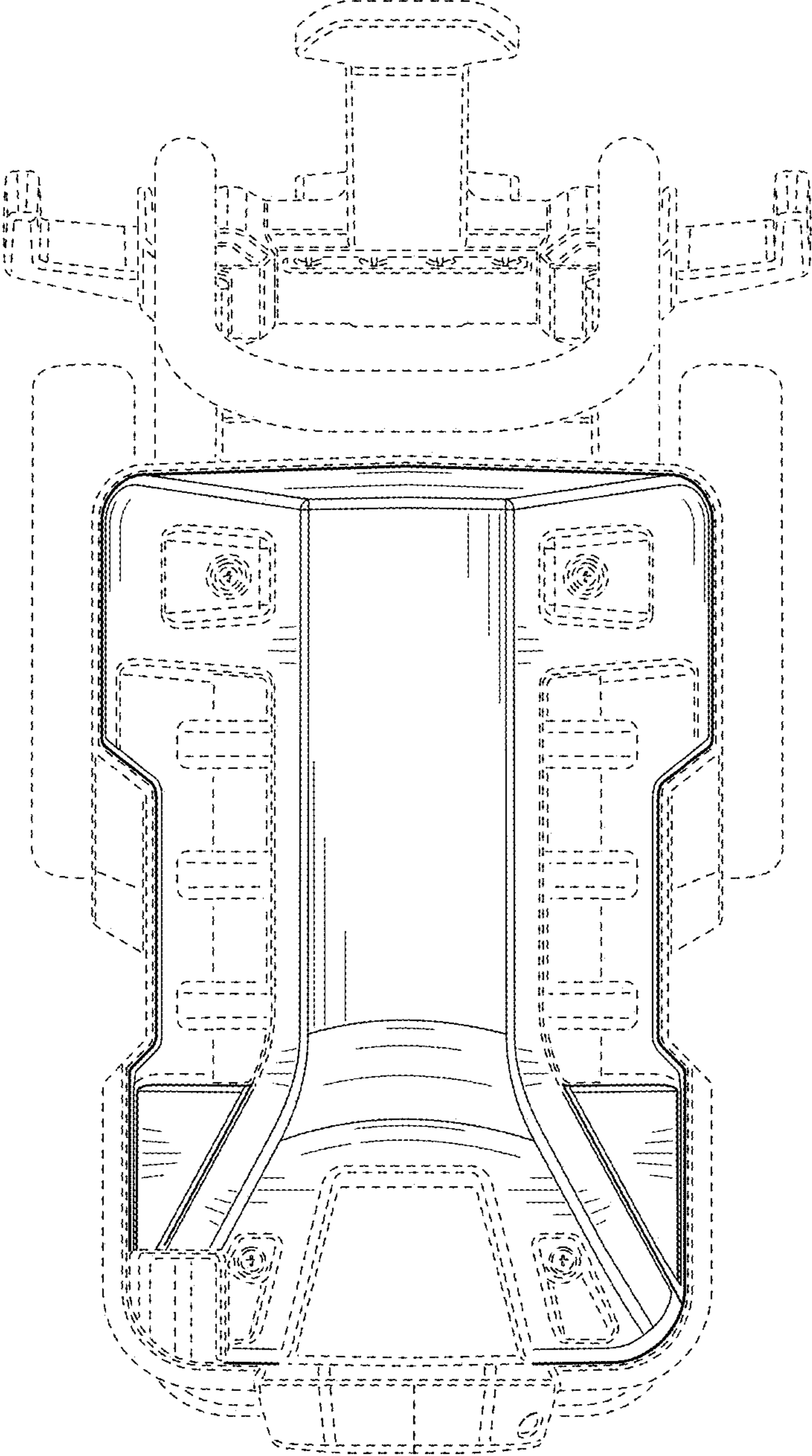


**FIG. 5**



**FIG. 6**





**FIG. 7**