



US00D933315S

(12) **United States Design Patent** (10) **Patent No.:** **US D933,315 S**  
**Maier et al.** (45) **Date of Patent:** **\*\* Oct. 12, 2021**

(54) **DISHWASHER**  
(71) Applicant: **ILLINOIS TOOL WORKS INC.**,  
Glenview, IL (US)  
(72) Inventors: **Daniel Maier**, Offenburg (DE); **Roland Werner**, Friesenheim (DE); **Benjamin Franz**, Hohberg (DE); **Björn Brodowski**, Hohberg (DE)

D195,992 S 8/1963 Nolte  
D196,982 S 11/1963 Doman  
D208,903 S 10/1967 Zedron  
D212,039 S 8/1968 Appel  
D231,484 S 4/1974 Peterson  
D239,155 S 3/1976 Kent  
D249,343 S 9/1978 Ronzani  
D274,851 S 7/1984 Schmitz  
D275,426 S 9/1984 Edge

(Continued)

(73) Assignee: **ILLINOIS TOOL WORKS INC.**,  
Glenview, IL (US)

**FOREIGN PATENT DOCUMENTS**

(\*\*) Term: **15 Years**

CN 305420546 11/2019  
RU 00075809 \* 8/2010

(21) Appl. No.: **29/770,203**

**OTHER PUBLICATIONS**

(22) Filed: **Feb. 10, 2021**

Bosch dishwasher panel, Sears website 2021, site visited Jun. 15, 2021, <https://www.searspartsdirect.com/product/56zdy6r9lp-0022-630/id-00770415>.\*

**Related U.S. Application Data**

(Continued)

(63) Continuation of application No. 29/677,682, filed on Jan. 23, 2019, now Pat. No. Des. 912,915.

*Primary Examiner* — John R Yeh

(30) **Foreign Application Priority Data**

(74) *Attorney, Agent, or Firm* — Thompson Hine LLP

Jul. 25, 2018 (EM) ..... 005513645

(51) **LOC (13) Cl.** ..... **15-05**

(52) **U.S. Cl.**  
USPC ..... **D32/3**

(58) **Field of Classification Search**  
USPC ..... D32/1-2, 5-6, 8-10, 15-17, 19, 25, 28,  
D32/29.1, 33, 35-36, 53

CPC .. A61L 2/10; A61C 19/00; A47J 27/00; F26B  
11/02; E05B 65/0007; A47L 15/0084;  
A47L 15/42; A47L 15/00; D06F 39/00;  
D06F 34/28

See application file for complete search history.

(56) **References Cited**

**U.S. PATENT DOCUMENTS**

3,020,917 A 2/1962 Lyman  
D194,503 S 2/1963 Moore

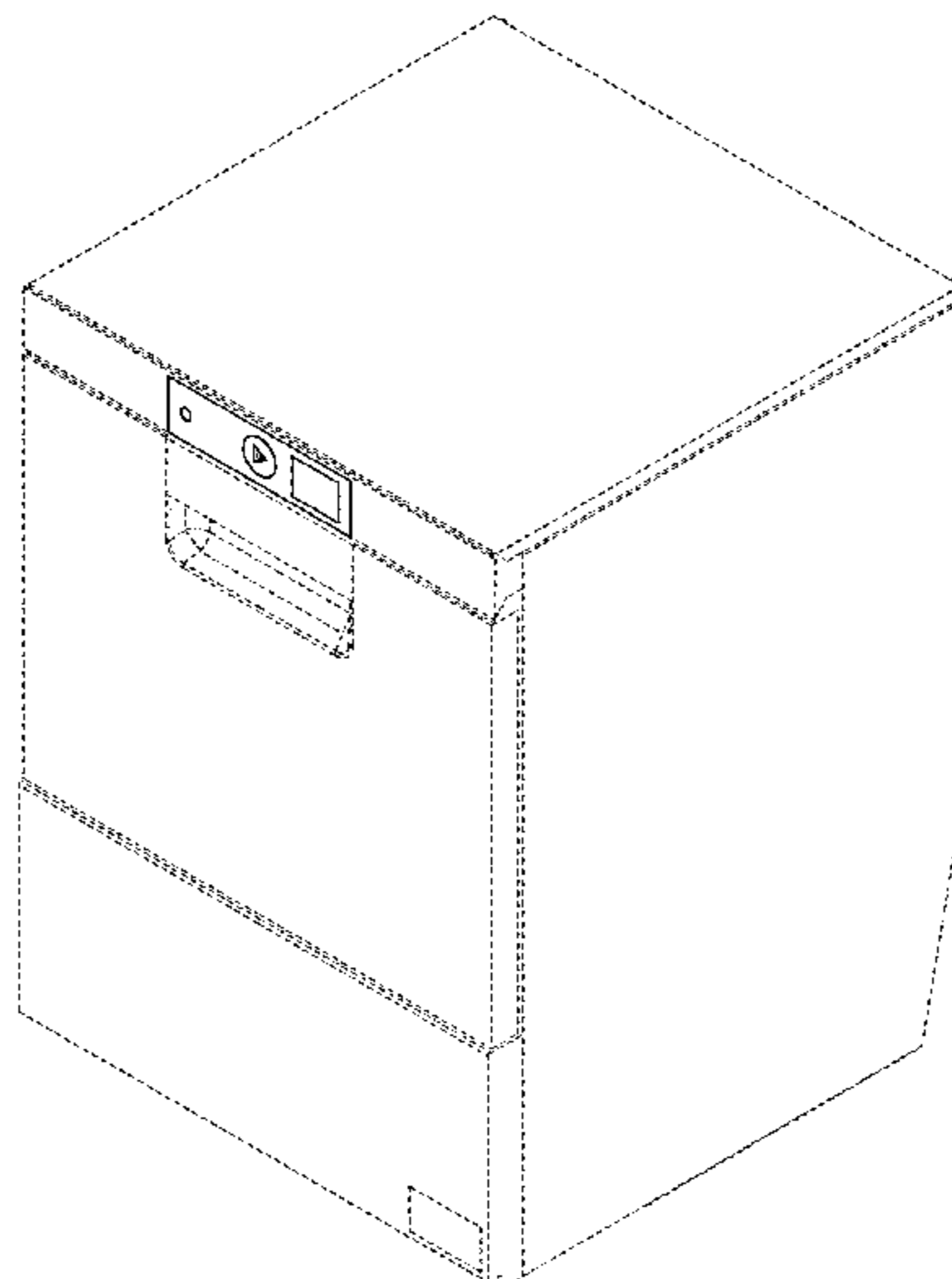
(57) **CLAIM**

The ornamental design for a dishwasher, as shown and described.

**DESCRIPTION**

FIG. 1 is a perspective of a dishwasher;  
FIG. 2 is a front view of the dishwasher;  
FIG. 3 is a left side view of the dishwasher;  
FIG. 4 is a right side view of the dishwasher;  
FIG. 5 is a rear view of the dishwasher;  
FIG. 6 is a top view of the dishwasher; and,  
FIG. 7 is a bottom view of the dishwasher.  
The broken lines in the figures illustrate portions of the dishwasher that form no part of the claimed design.

**1 Claim, 7 Drawing Sheets**



(56)

References Cited

U.S. PATENT DOCUMENTS

D276,472 S 11/1984 Harrison  
 D293,269 S 12/1987 Prinzhorn  
 D298,372 S 11/1988 Taylor, Jr.  
 D316,428 S 4/1991 Merl  
 D316,568 S 4/1991 Koch  
 D320,489 S 10/1991 Marks  
 D346,088 S 4/1994 Schroeder  
 D350,739 S 9/1994 Chu  
 5,366,185 A \* 11/1994 Michael ..... A47L 15/42  
 248/27.1  
 5,698,826 A \* 12/1997 Cracraft ..... H01H 13/70  
 200/310  
 D392,280 S 3/1998 Lin  
 D394,526 S 5/1998 Strandell  
 D438,352 S 2/2001 Jeong  
 D441,149 S \* 4/2001 Bournay, Jr. .... D32/3  
 D454,882 S 3/2002 Jung  
 D458,422 S 6/2002 Richardson  
 D460,841 S 7/2002 Richardson  
 D467,691 S 12/2002 Richardson  
 D473,684 S \* 4/2003 Wendt ..... D32/3  
 D482,827 S 11/2003 Storer  
 D482,828 S 11/2003 Storer  
 D492,456 S \* 6/2004 Geyer ..... D32/28  
 D493,583 S 7/2004 Kaczmarek  
 D494,730 S 8/2004 Magee  
 D495,113 S 8/2004 Lynch  
 D501,963 S \* 2/2005 Kaczmarek ..... D32/3  
 D555,846 S \* 11/2007 Jung ..... D32/3  
 D573,762 S \* 7/2008 Eicher ..... D32/28  
 D577,869 S \* 9/2008 Tartan ..... D32/2

D589,562 S 3/2009 Holtslander  
 D602,728 S 10/2009 Cesa  
 D635,312 S \* 3/2011 Kaczmarek ..... D32/3  
 D701,359 S \* 3/2014 Eng ..... D32/3  
 D735,959 S 8/2015 Linton  
 D740,501 S 10/2015 Taylor  
 D747,414 S 1/2016 Chen  
 D748,874 S 2/2016 Roberson  
 D759,917 S \* 6/2016 Choi ..... D32/28  
 D765,321 S \* 8/2016 Fuller ..... D32/3  
 D773,134 S \* 11/2016 Armstrong ..... D32/28  
 D775,770 S \* 1/2017 Yoon ..... D32/2  
 D776,703 S \* 1/2017 Shoemaker ..... D14/487  
 9,801,524 B2 \* 10/2017 Kan ..... A47L 15/4463  
 10,570,551 B2 \* 2/2020 Leibman ..... D06F 39/022  
 D912,914 S \* 3/2021 Disch ..... D32/3  
 D912,915 S \* 3/2021 Maier ..... D32/3  
 2003/0030288 A1 \* 2/2003 Miller ..... E05B 63/248  
 292/303  
 2016/0324390 A1 \* 11/2016 Toga ..... A47L 15/0047  
 2018/0070794 A1 3/2018 Berner

OTHER PUBLICATIONS

Hobart, AMTL dishwasher, video date 2021, site visited Jun. 15, 2021, [https://www.hobartcorp.com/products/commercial-dishwashers/door-type/amlt-two-level-door-type-dishwasher.\\*](https://www.hobartcorp.com/products/commercial-dishwashers/door-type/amlt-two-level-door-type-dishwasher.*)  
 Site visited Nov. 3, 2020, CMA Dishmachines EST-AH Door Type, website 2020, [https://www.webstaurantstore.com/cma-dishmachines-est-ah-door-type-single-rack-low-temperature-straight-dishwasher-115y/250ESTAHX.html?utm\\_](https://www.webstaurantstore.com/cma-dishmachines-est-ah-door-type-single-rack-low-temperature-straight-dishwasher-115y/250ESTAHX.html?utm_)

\* cited by examiner

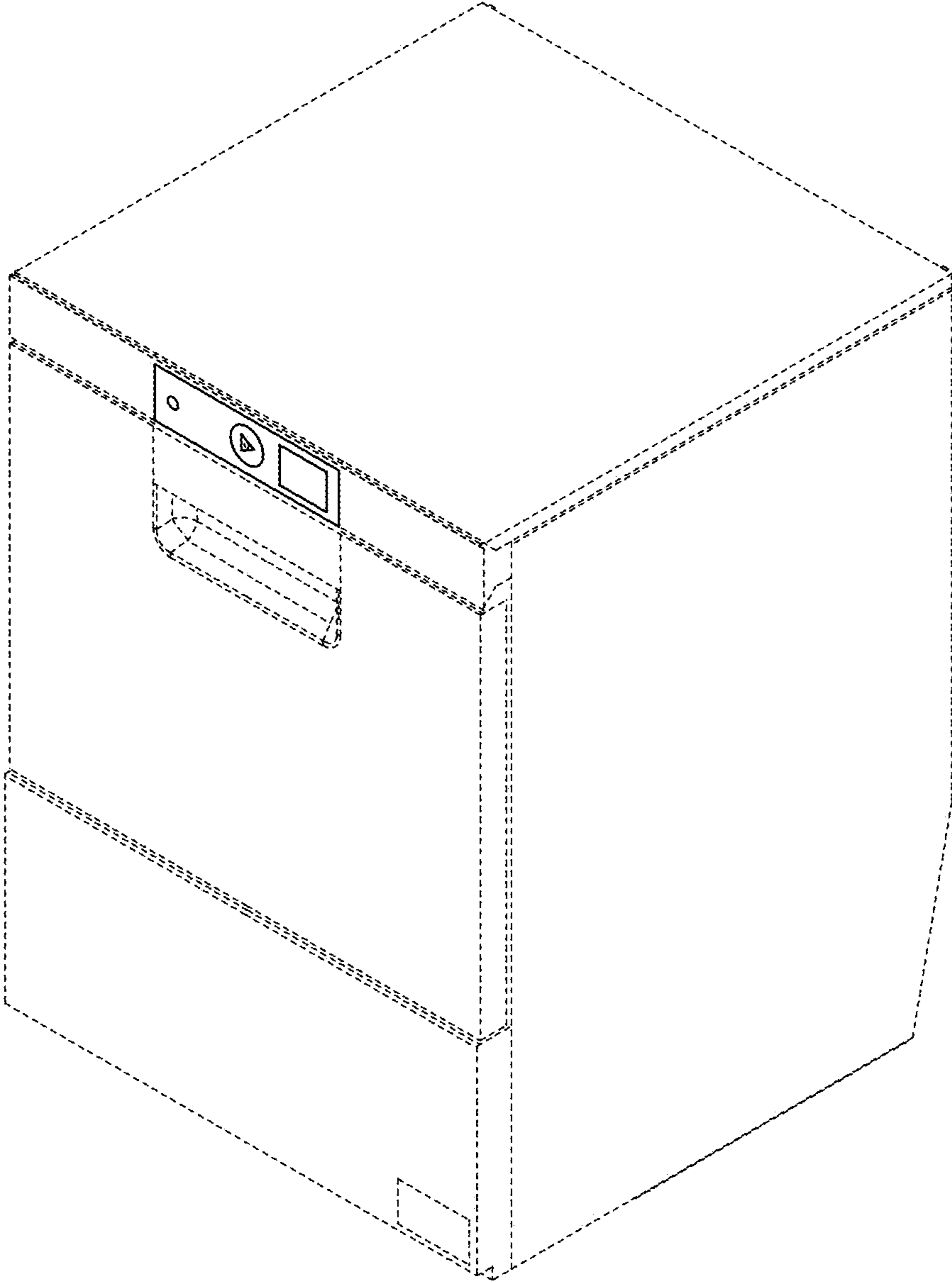


FIG. 1

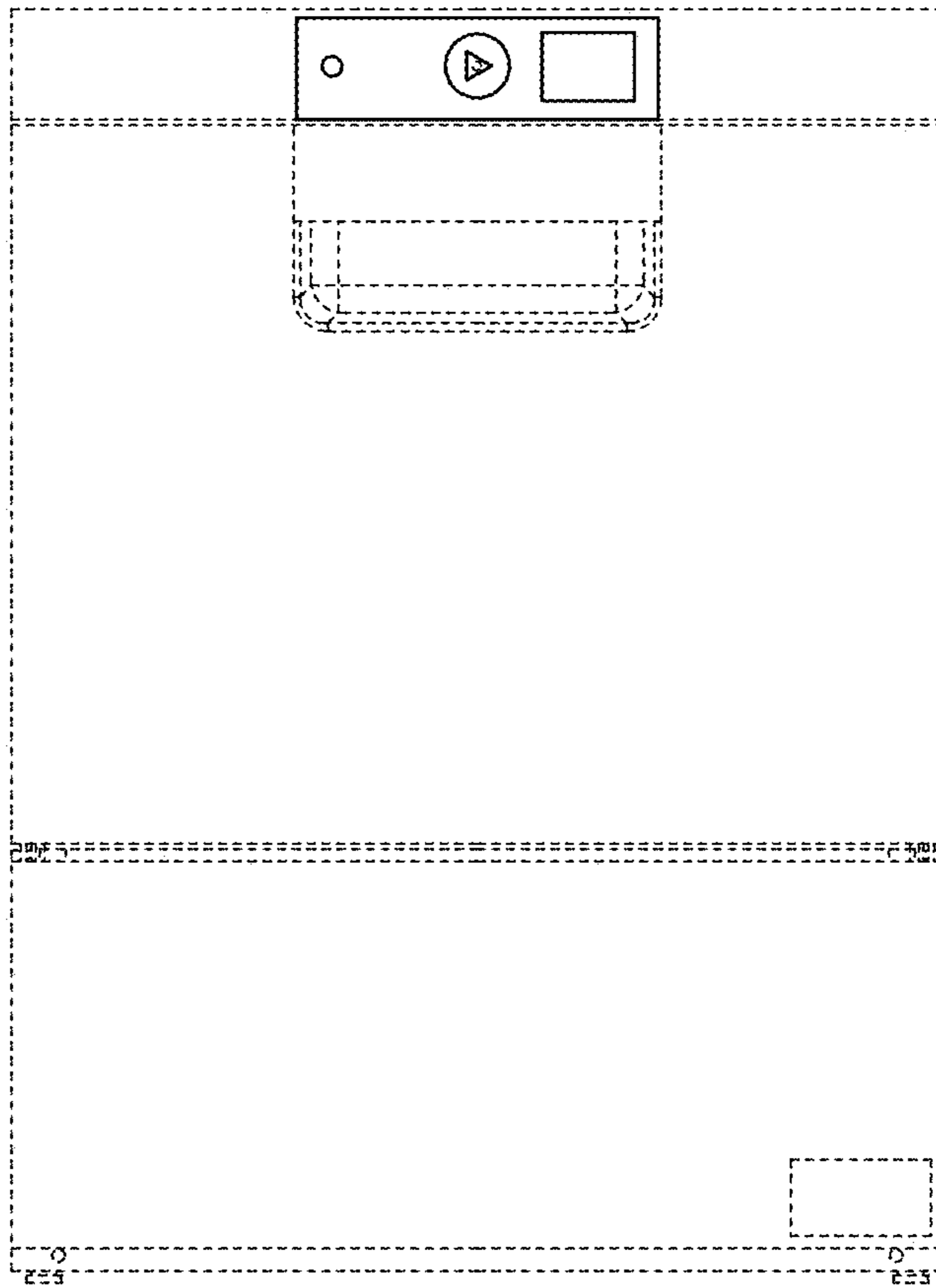


FIG. 2

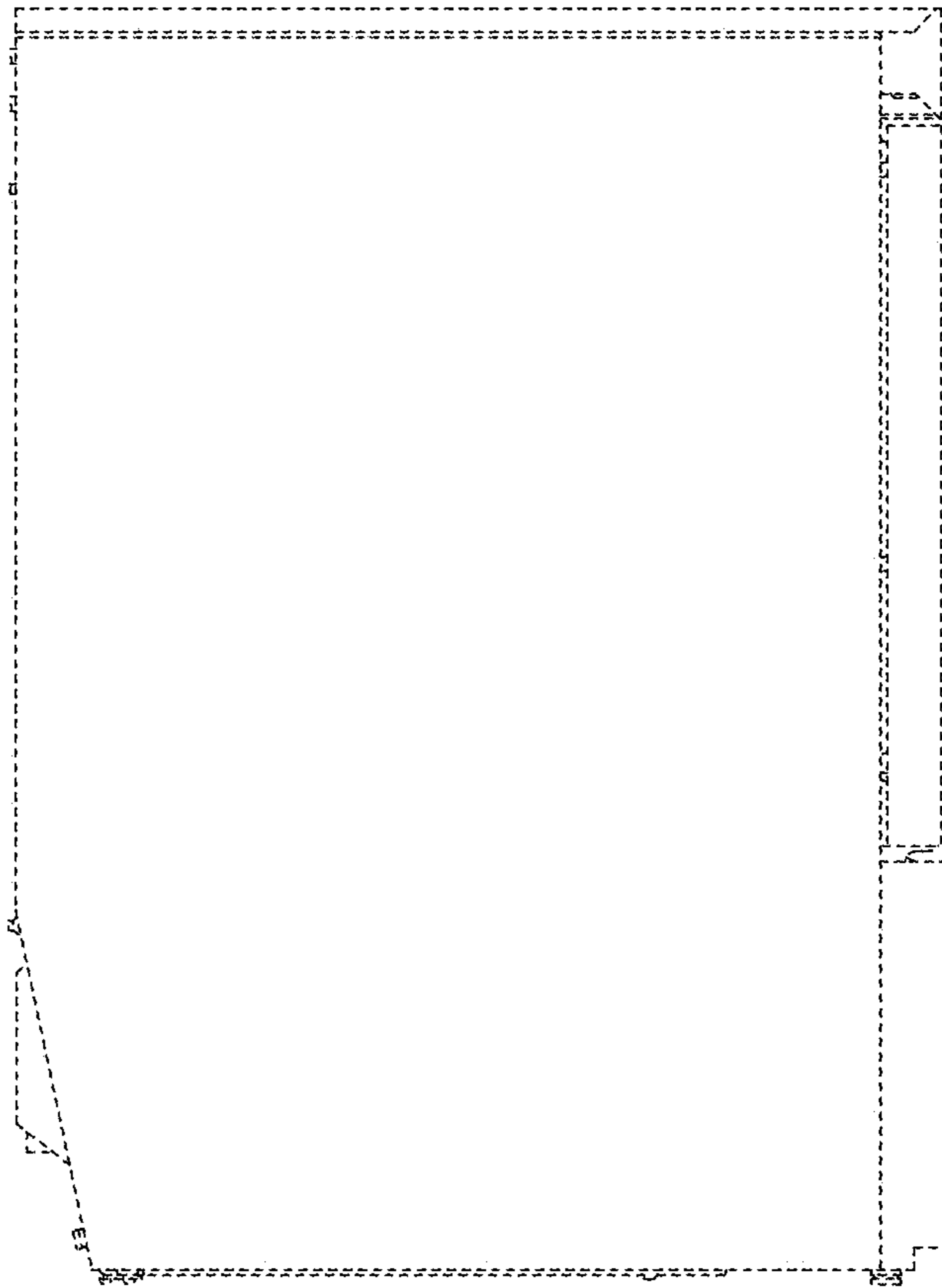


FIG. 3

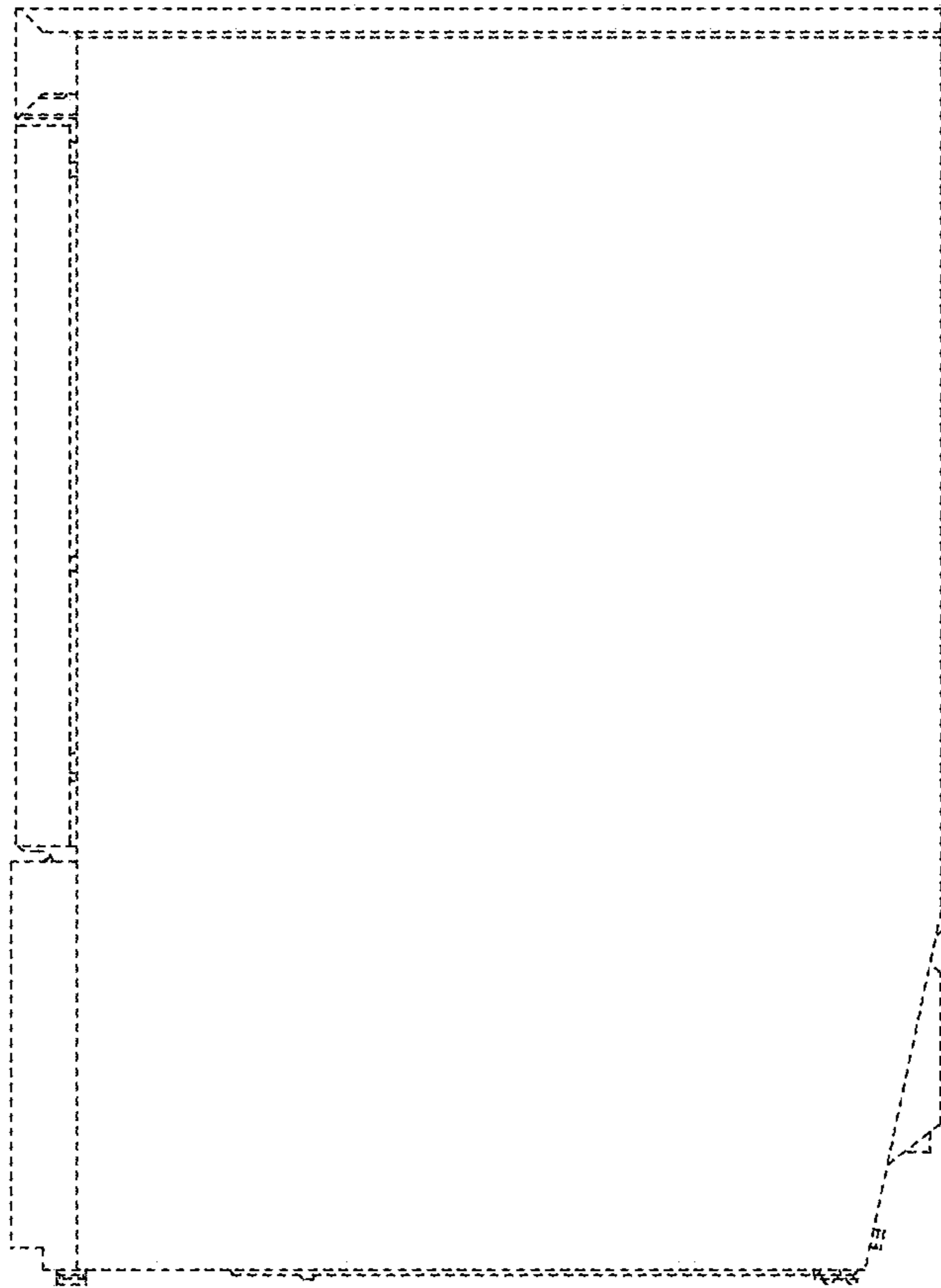


FIG. 4



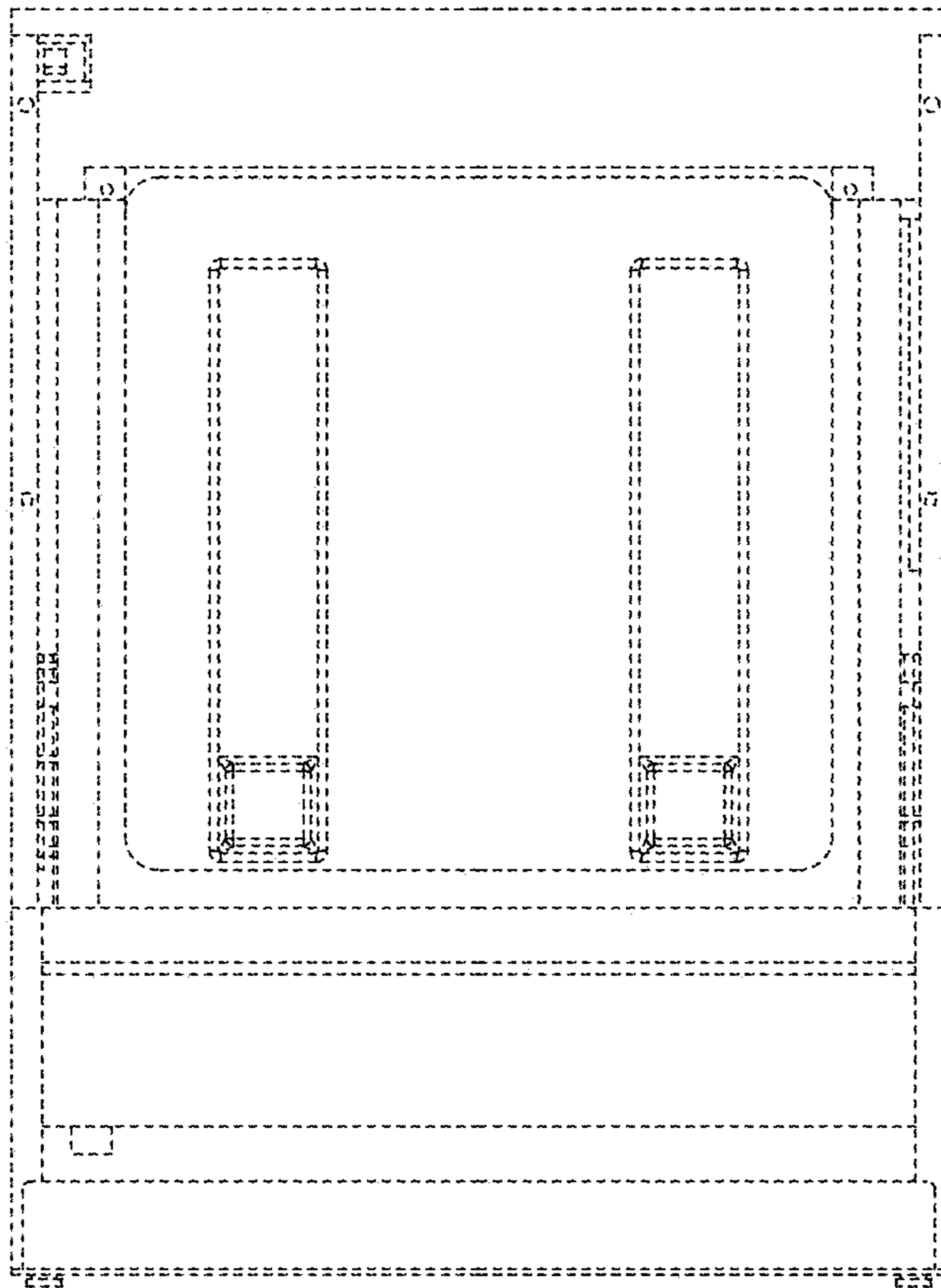


FIG. 5

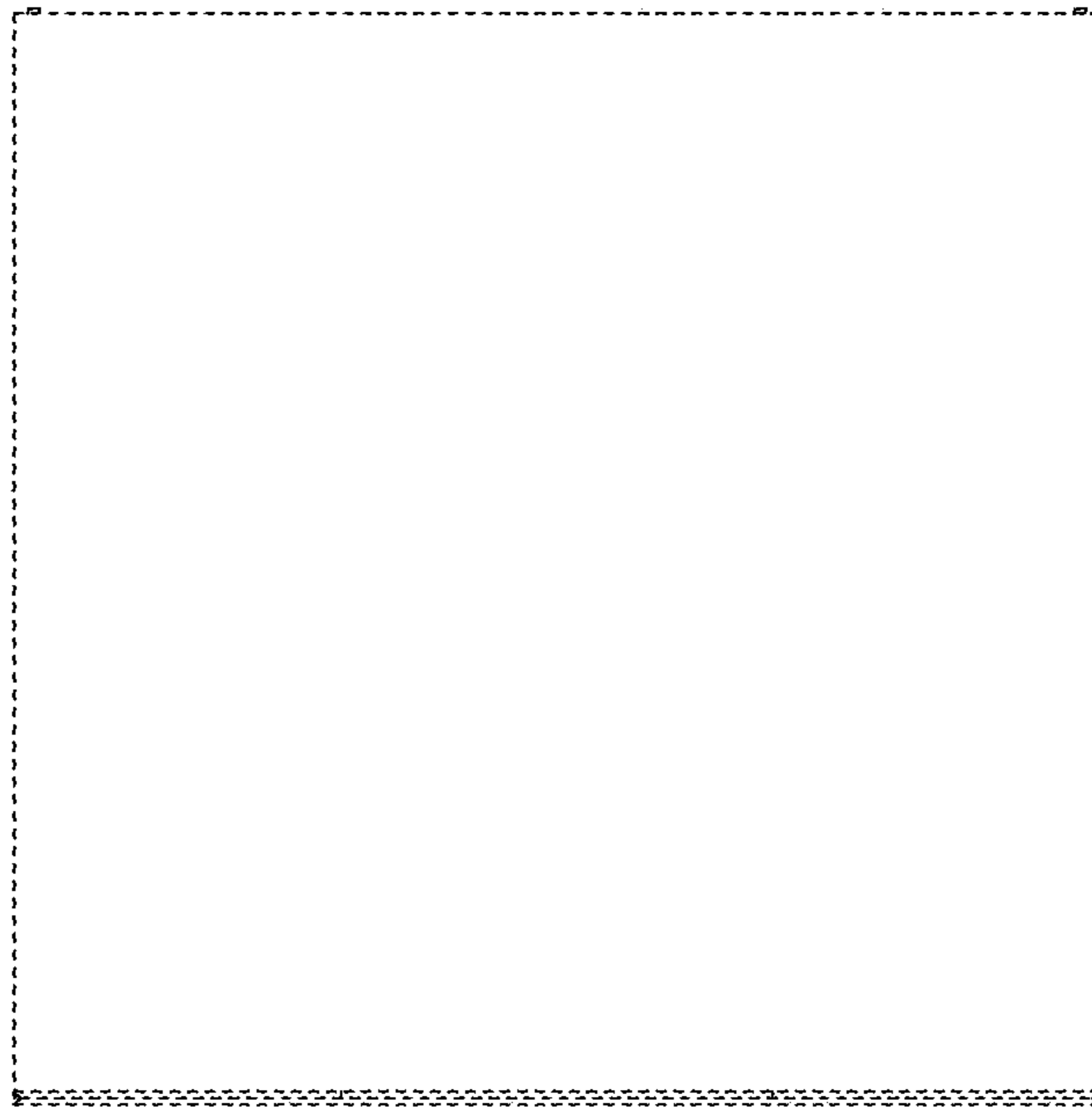


FIG. 6



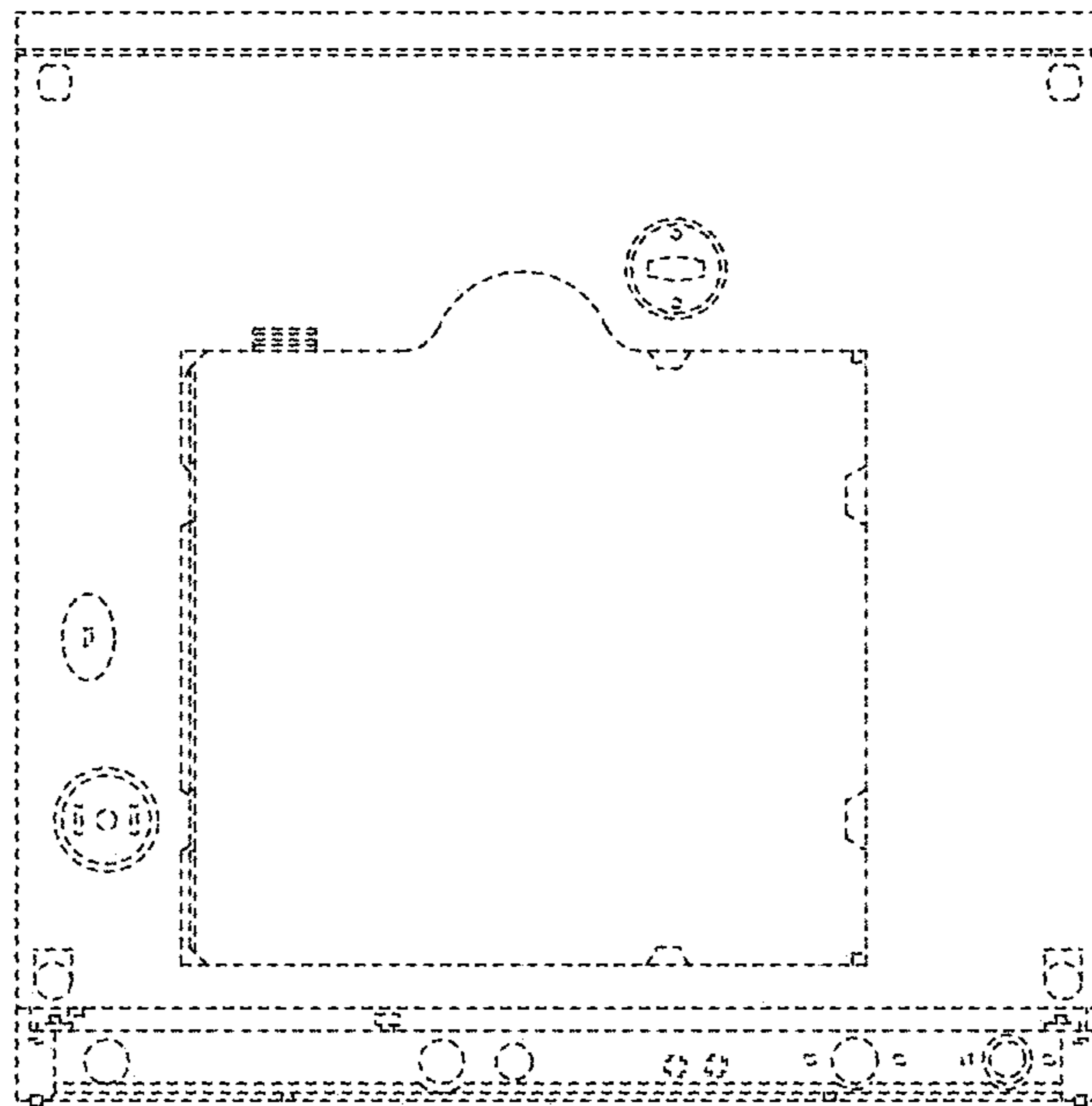


FIG. 7