



US00D933314S

(12) **United States Design Patent**
Kim et al.

(10) **Patent No.:** **US D933,314 S**
(45) **Date of Patent:** **** Oct. 12, 2021**

(54) **DISHWASHER**

FOREIGN PATENT DOCUMENTS

(71) Applicant: **Samsung Electronics Co., Ltd.**,
Suwon-si (KR)

CN 304588879 * 4/2018
EM 000877386-0001 2/2008

(Continued)

(72) Inventors: **Jaejun Kim**, Suwon-si (KR); **Yoonjoo Kwon**, Suwon-si (KR); **Kyuseok Kim**, Suwon-si (KR); **Daejong Kim**, Suwon-si (KR); **Gisung Han**, Suwon-si (KR)

OTHER PUBLICATIONS

Walmart LG Detergent Dispenser website 2021, site visited Jun. 15, 2021, <https://www.walmart.com/ip/4924FD2123E-DETERGENT-DISPENSER-FOR-LG-DISHWASHER/209990530>.*

(73) Assignee: **Samsung Electronics Co., Ltd.**,
Suwon-si (KR)

Primary Examiner — John R Yeh

(74) *Attorney, Agent, or Firm* — NSIP Law

(**) Term: **15 Years**

(57) **CLAIM**

We claim the ornamental design for a dishwasher, as shown and described.

(21) Appl. No.: **29/690,887**

(22) Filed: **May 13, 2019**

DESCRIPTION

(30) **Foreign Application Priority Data**

Jan. 21, 2019 (KR) 30-2019-0003002

(51) **LOC (13) Cl.** **15-05**

(52) **U.S. Cl.**
USPC **D32/3**

(58) **Field of Classification Search**
USPC D32/1-2, 5-6, 8-10, 15-17, 19, 25, 28,
D32/29.1, 33, 35-36, 53
CPC .. A61L 2/10; A61C 19/00; A47J 27/00; F26B
11/02; E05B 65/0007; A47L 15/0084;
D06F 39/00; D06F 34/28
See application file for complete search history.

FIG. 1 is a front perspective view of a dishwasher showing our new design;
FIG. 2 is a front view thereof;
FIG. 3 is a rear view thereof;
FIG. 4 is a left-side view thereof;
FIG. 5 is a right-side view thereof;
FIG. 6 is a top view thereof;
FIG. 7 is a bottom view thereof;
FIG. 8 is an enlarged view of the encircled portion in FIG. 1;
FIG. 9 is an enlarged view of the encircled portion in FIG. 6;
FIG. 10 is a cross-sectional view taken along line 10-10 of FIG. 2; and,
FIG. 11 is an enlarged view of the encircled portion in FIG. 10.

(56) **References Cited**

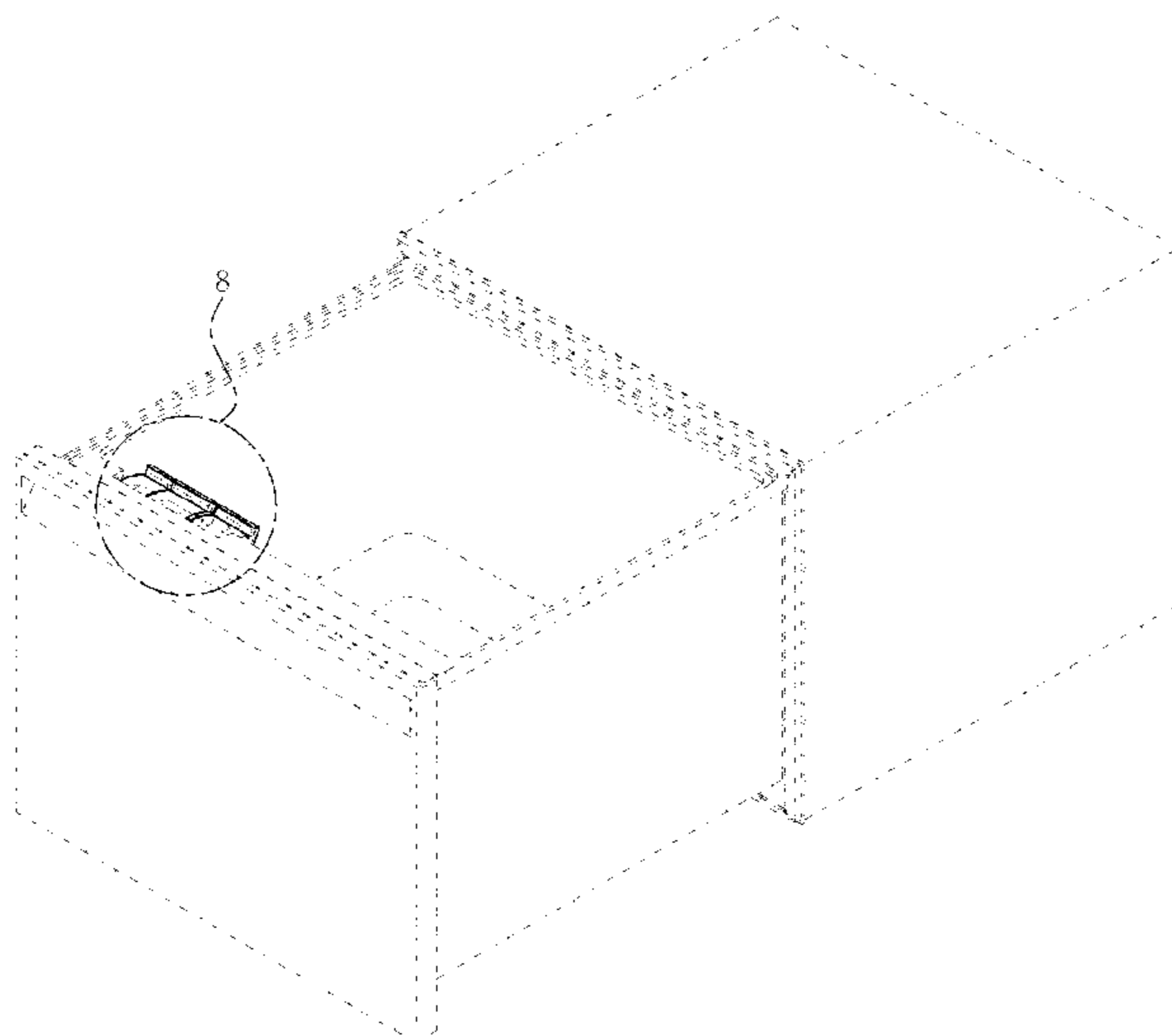
U.S. PATENT DOCUMENTS

D326,381 S * 5/1992 Heiligenthal D6/705
D424,257 S * 5/2000 Umeda D32/2
D456,571 S * 4/2002 Richardson D32/2
D459,843 S * 7/2002 Richardson D32/3

(Continued)

The broken lines in the figures depict portions of the dishwasher which form no part of the claimed design.
The dot-dash broken lines encircling portions of the claimed design that are illustrated in enlargements form no part of the claimed design.

1 Claim, 11 Drawing Sheets



(56)

References Cited

U.S. PATENT DOCUMENTS

D549,408	S	*	8/2007	Lee	D32/25
D620,211	S	*	7/2010	Shail	D32/25
D629,168	S	*	12/2010	Park	D32/25
D633,670	S	*	3/2011	Grutzke	D32/25
D637,371	S	*	5/2011	Sim	D32/25
D663,497	S	*	7/2012	Ha	D32/29.1
D697,681	S	*	1/2014	Chung	D32/29.1
D787,763	S	*	5/2017	Kim	D32/29.1
D809,724	S	*	2/2018	Yoon	D32/29.1
D816,283	S	*	4/2018	Lee	D32/25
D818,220	S	*	5/2018	Yoo	D32/6
D821,043	S	*	6/2018	Yoo	D06F 58/10
						D32/8
D828,661	S	*	9/2018	Joo	D32/29.1
D857,765	S	*	8/2019	Kim	D15/89
D882,194	S	*	4/2020	Bockos	D32/29.1
D898,312	S	*	10/2020	Yoon	D32/25
D917,811	S	*	4/2021	Kim	D32/25
2012/0306334	A1	*	12/2012	Cosgrove	A47L 15/0084
						312/237
2016/0273150	A1	*	9/2016	Del Pos	D06F 34/28

FOREIGN PATENT DOCUMENTS

EM	002103812-0004	9/2012
EM	002285155-0001	8/2013
EM	002296020-0007	8/2013
WO	DM/058 820	11/2001

* cited by examiner

FIG. 1

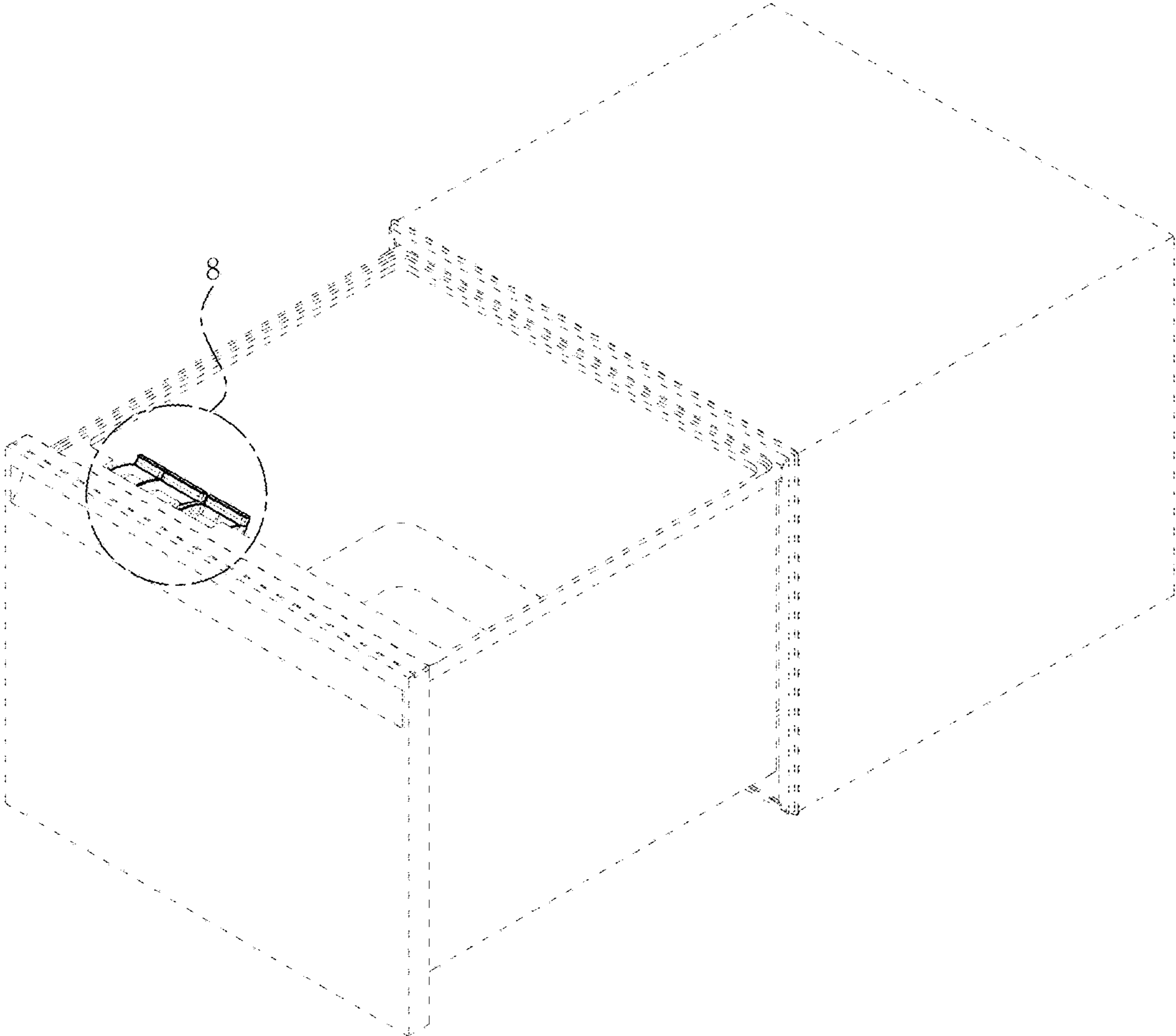


FIG. 2

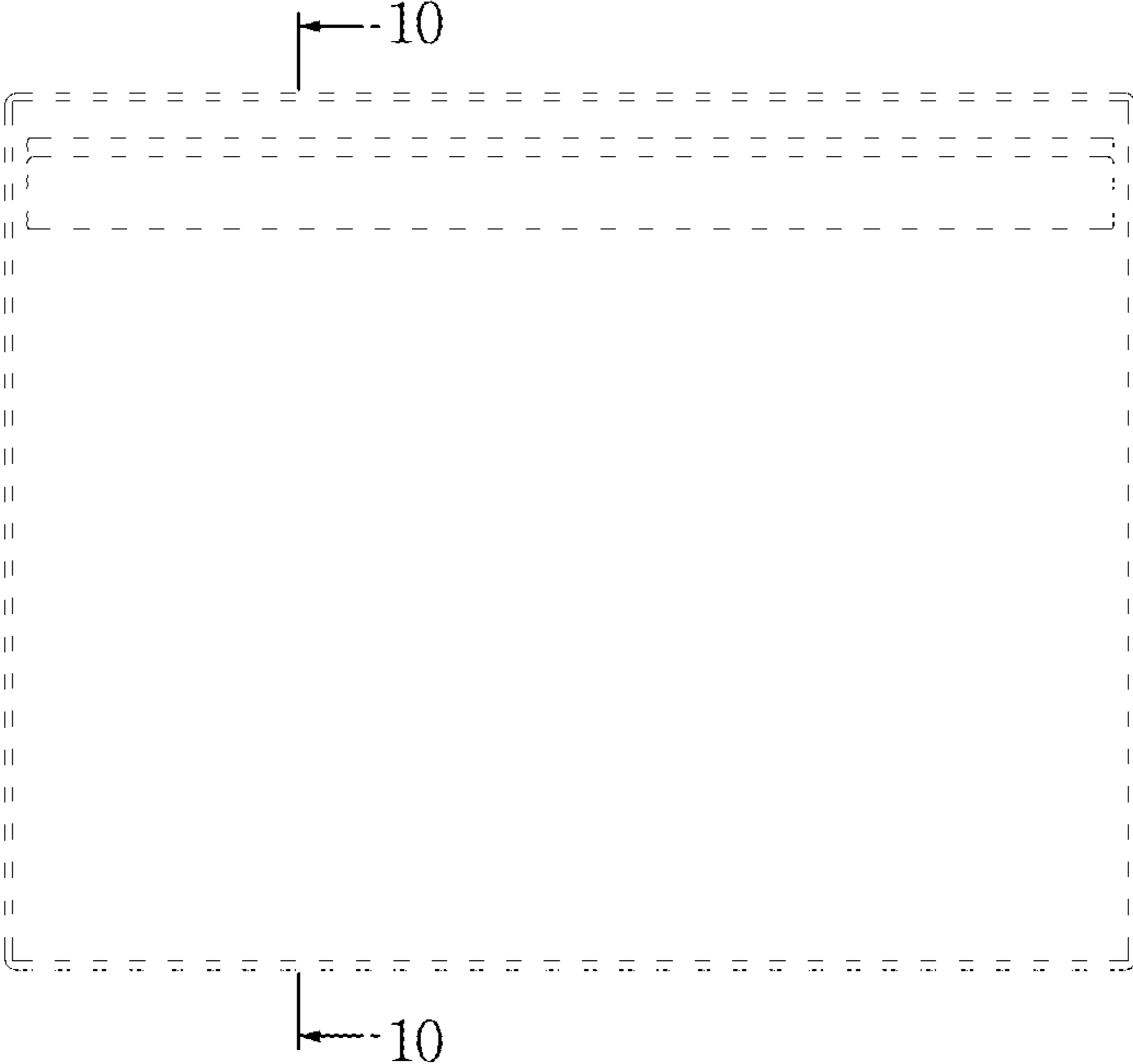


FIG. 3



FIG. 4

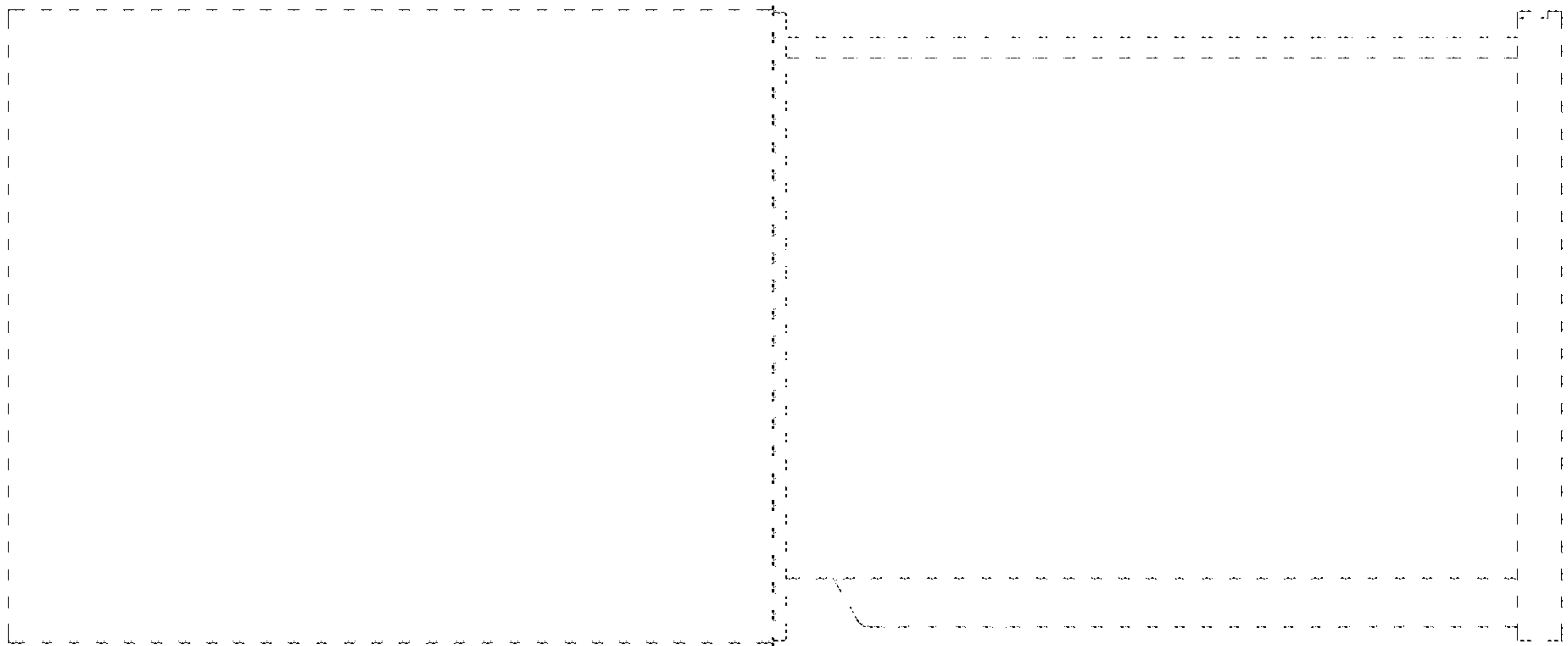


FIG. 5

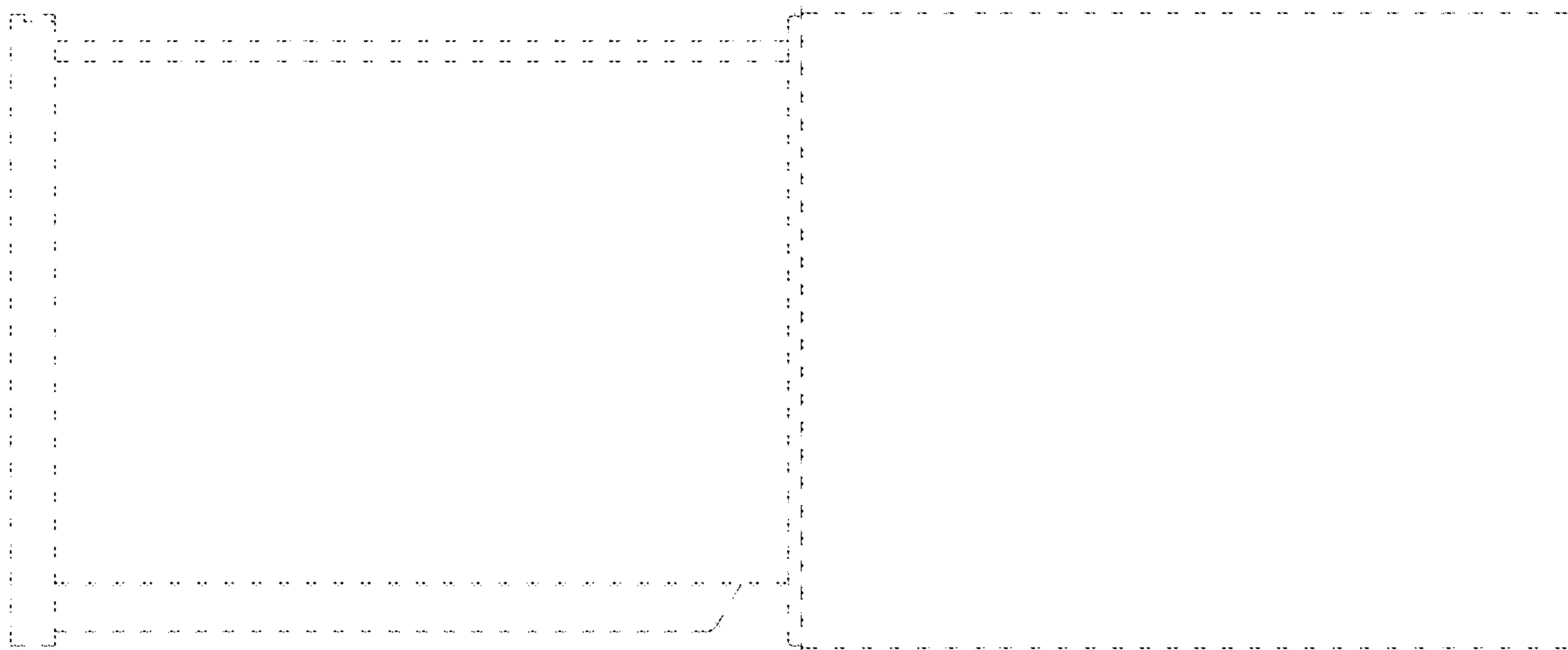


FIG. 6

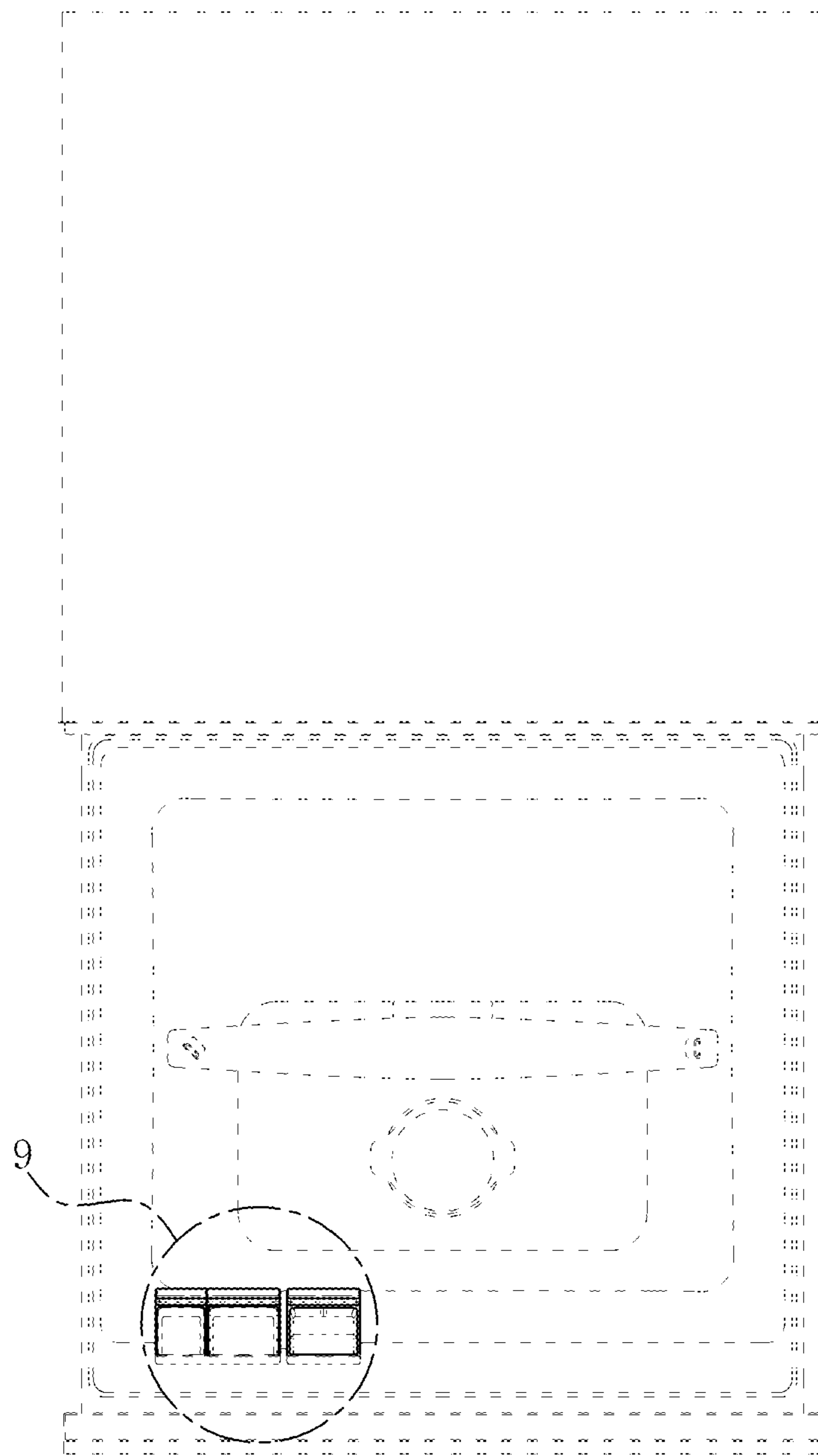


FIG. 7

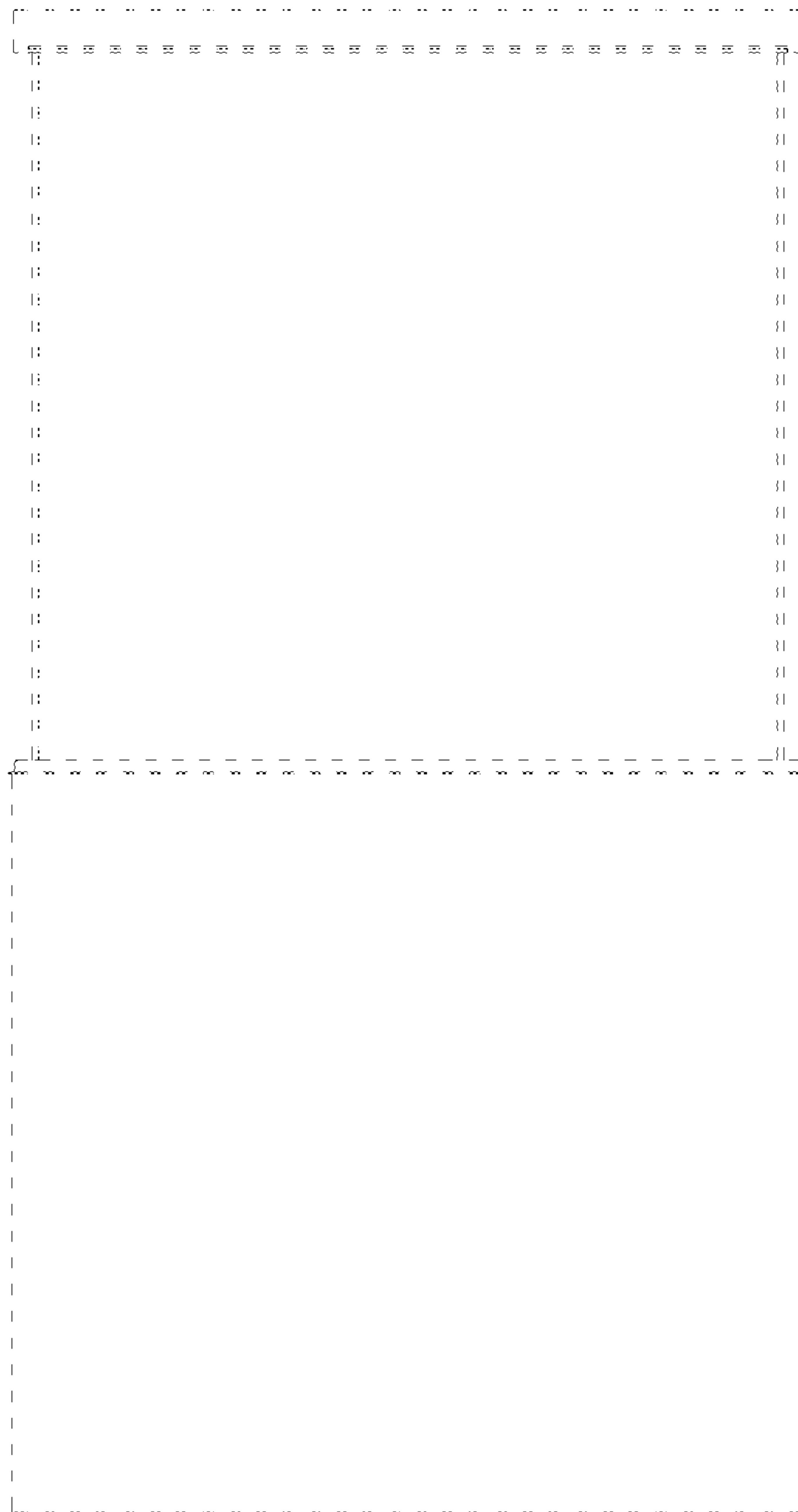


FIG. 8

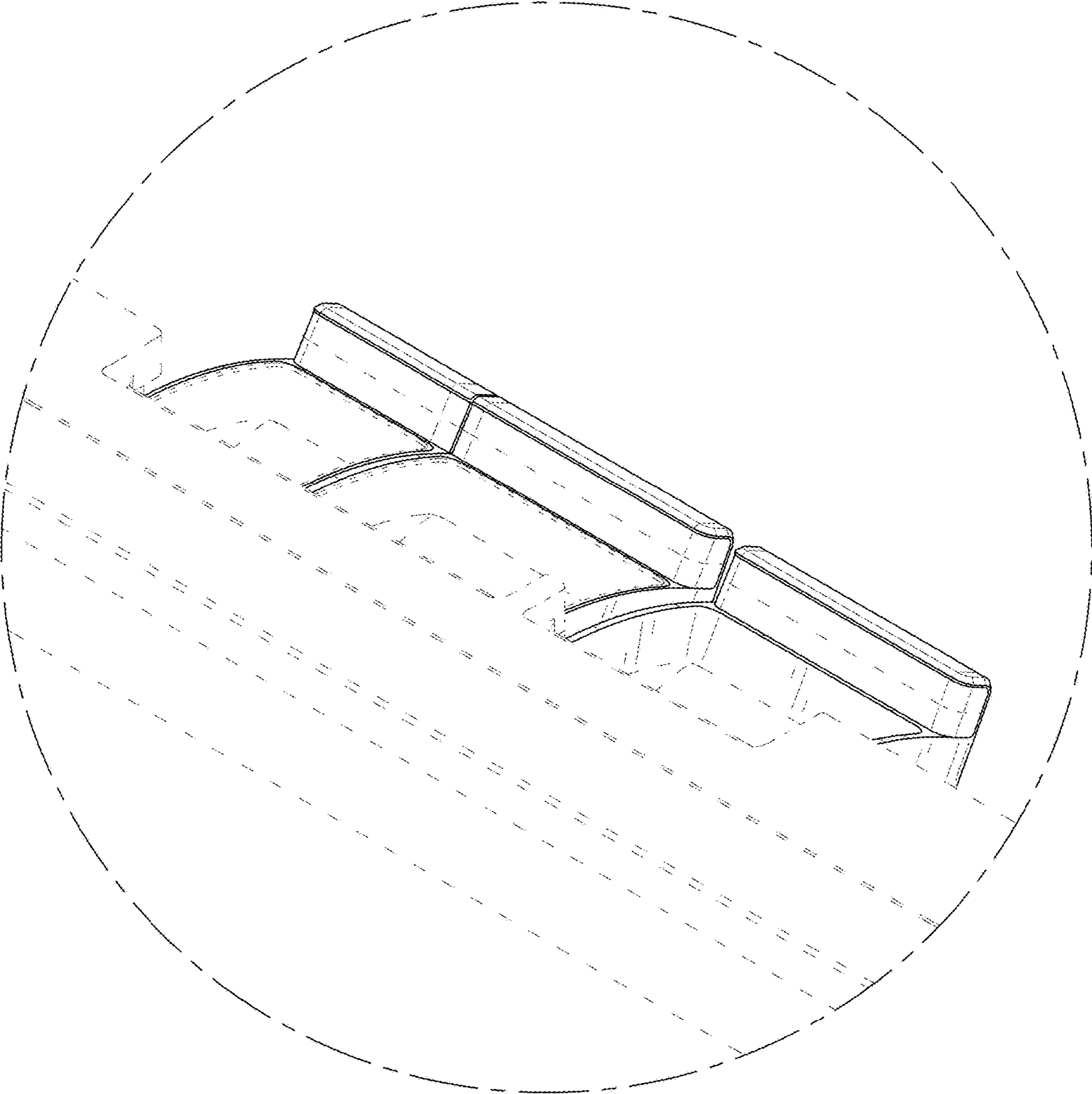


FIG. 9

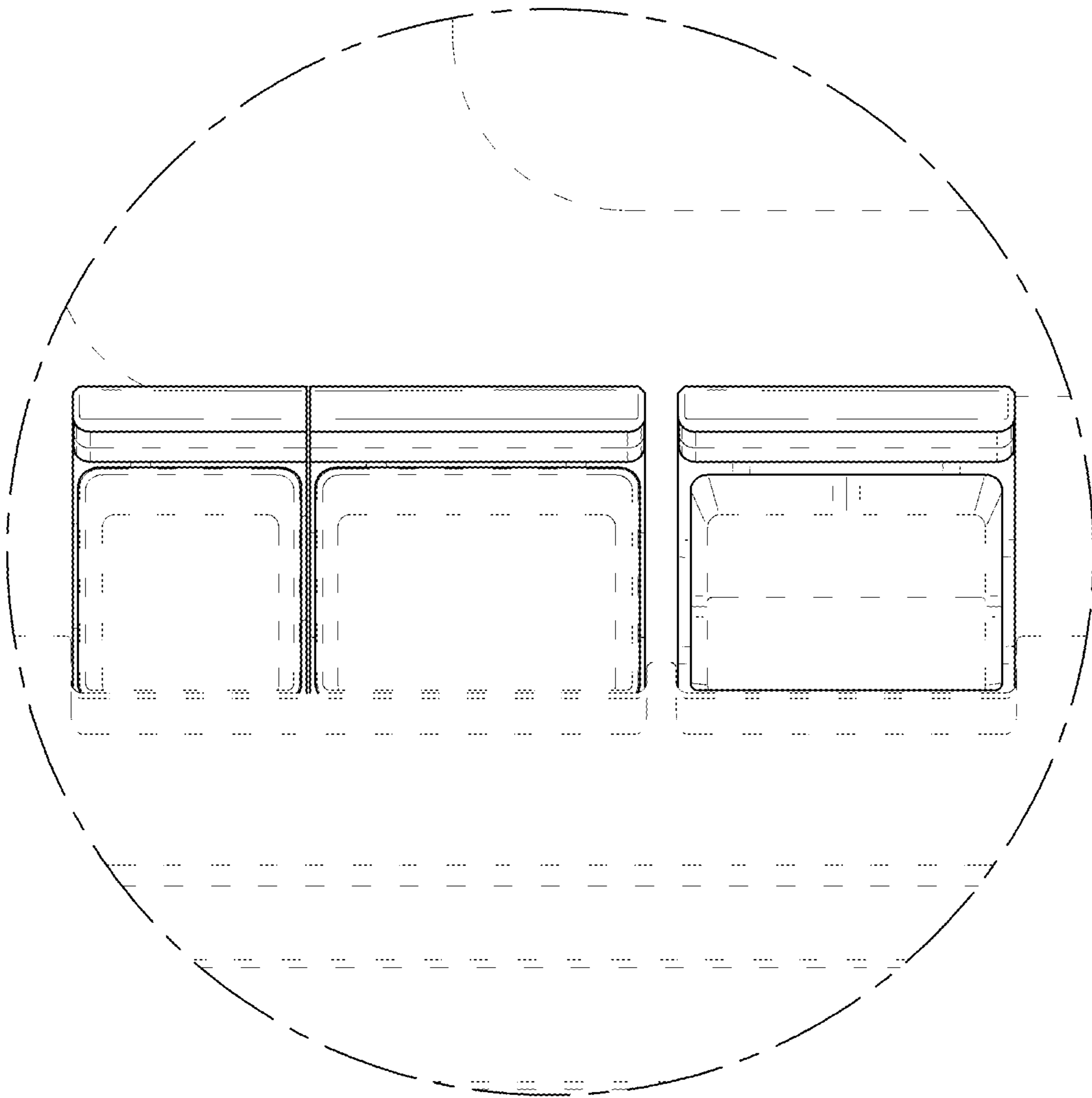


FIG. 10

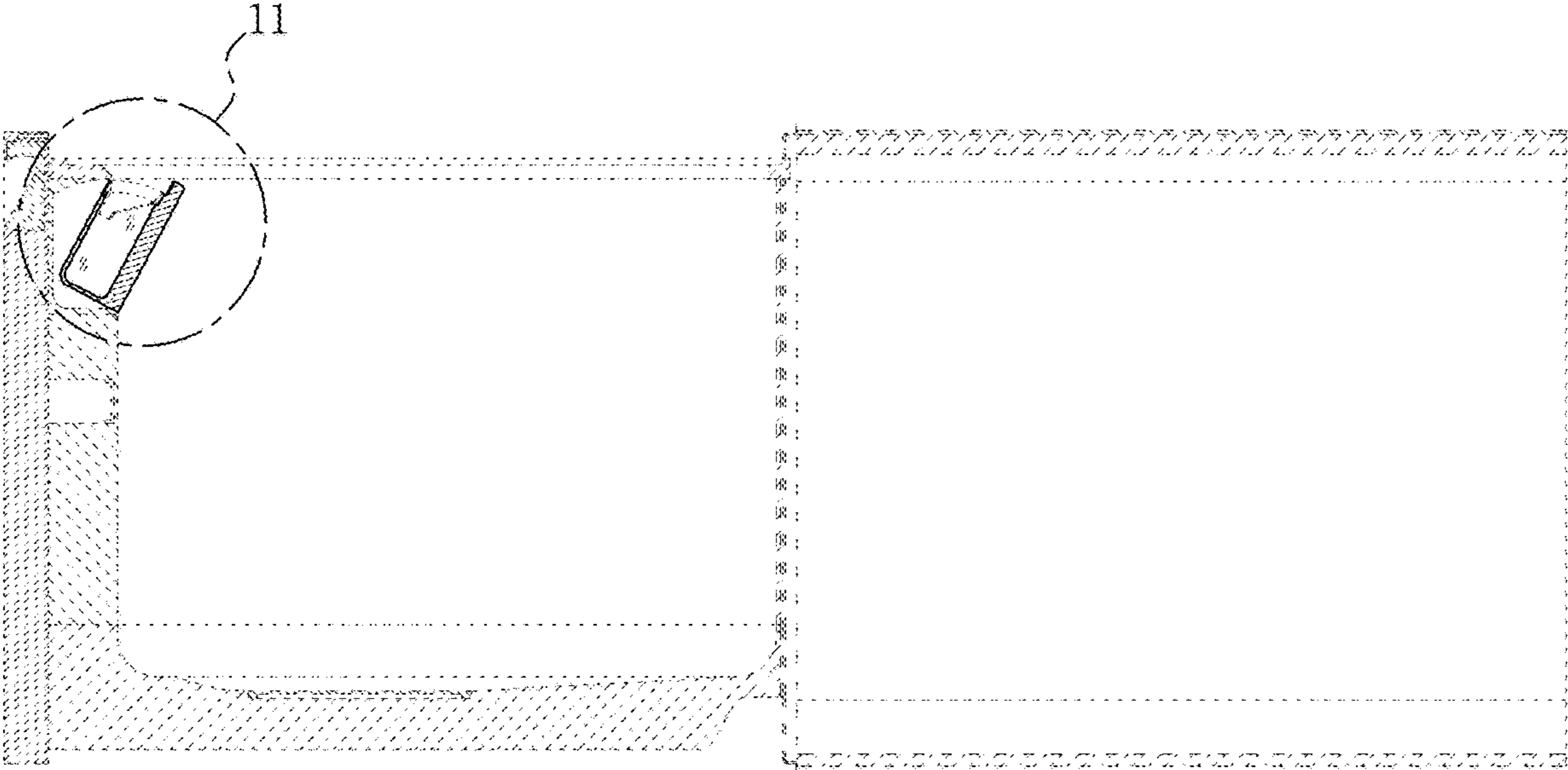


FIG. 11

