



US00D933311S

(12) **United States Design Patent**
Jiang

(10) **Patent No.:** **US D933,311 S**
(45) **Date of Patent:** **** Oct. 12, 2021**

- (54) **LIFTING CAT TABLE BOWL**
- (71) Applicant: **Yangzhou Xiaoyi Intelligent Technology Co., Ltd, Yangzhou (CN)**
- (72) Inventor: **Zhengyuan Jiang, Yangzhou (CN)**
- (**) Term: **15 Years**
- (21) Appl. No.: **29/764,388**
- (22) Filed: **Dec. 30, 2020**
- (51) **LOC (13) Cl.** **30-03**
- (52) **U.S. Cl.**
USPC **D30/133; D30/121; D30/131; D30/130**
- (58) **Field of Classification Search**
USPC D30/133, 121, 128, 130, 132; 119/52.1, 119/55, 61.5, 61.6, 61.57, 61.56, 61.55, 119/61.54, 51.5, 51.01; D6/480-489, D6/708, 691.6, 656.13, 691.8, 495-499, D6/349, 429, 477, 353, 690; 248/188, 248/157, 188.5, 188.8, 188.9, 404, 248/226.11, 231.31, 127-132, 146, 149, 248/150, 151, 241; 312/204; 108/12, 19, 108/25, 26, 153.1-157, 144.11, 145, 146, 108/147.12, 147.21, 148, 149, 150, 151, 108/152, 157.1, 161, 147.19, 64, 136; 297/423.46, 423.44, 423.45; 5/659, 5/503.1, 505.1; 182/151, 222
CPC A01K 5/00; A01K 5/01; A01K 5/0107; A01K 5/0114; A01K 5/0121; A01K 5/0128; A01K 5/0135; A01K 7/005; A47B 3/00; A47B 3/002; A47B 3/06; A47B 9/00; A47B 9/16; A47B 9/14; A47B 9/18; A47B 2009/006
See application file for complete search history.

- 7,341,019 B1 * 3/2008 Tsengas A01K 5/0114
119/61.5
 - D592,814 S * 5/2009 Uffner D30/130
 - D699,402 S * 2/2014 Diskin D30/133
 - D755,447 S 5/2016 Andrews et al.
 - D824,730 S 8/2018 Guerdrum et al.
 - D846,816 S * 4/2019 Tsengas A01K 7/00
D30/133
 - 10,701,896 B1 * 7/2020 Tsengas A01K 5/0114
- (Continued)

Primary Examiner — Susan Moon Lee

(57) **CLAIM**

The ornamental design for a lifting cat table bowl, as shown and described.

DESCRIPTION

FIG. 1 is a first perspective view of a lifting cat table bowl showing my new design;
 FIG. 2 is a second perspective view thereof;
 FIG. 3 is a front view thereof;
 FIG. 4 is a back view thereof;
 FIG. 5 is a left side view thereof;
 FIG. 6 is a right side view thereof;
 FIG. 7 is a top view thereof;
 FIG. 8 is a bottom view thereof;
 FIG. 9 is a perspective view of another state of the lifting cat table bowl thereof;
 FIG. 10 is an enlarged view of the selected portion in FIG. 1;
 FIG. 11 is an enlarged view of the selected portion in FIG. 2;
 FIG. 12 is an enlarged view of the selected portion in FIG. 2; and,
 FIG. 13 is an enlarged view of the selected portion in FIG. 8.

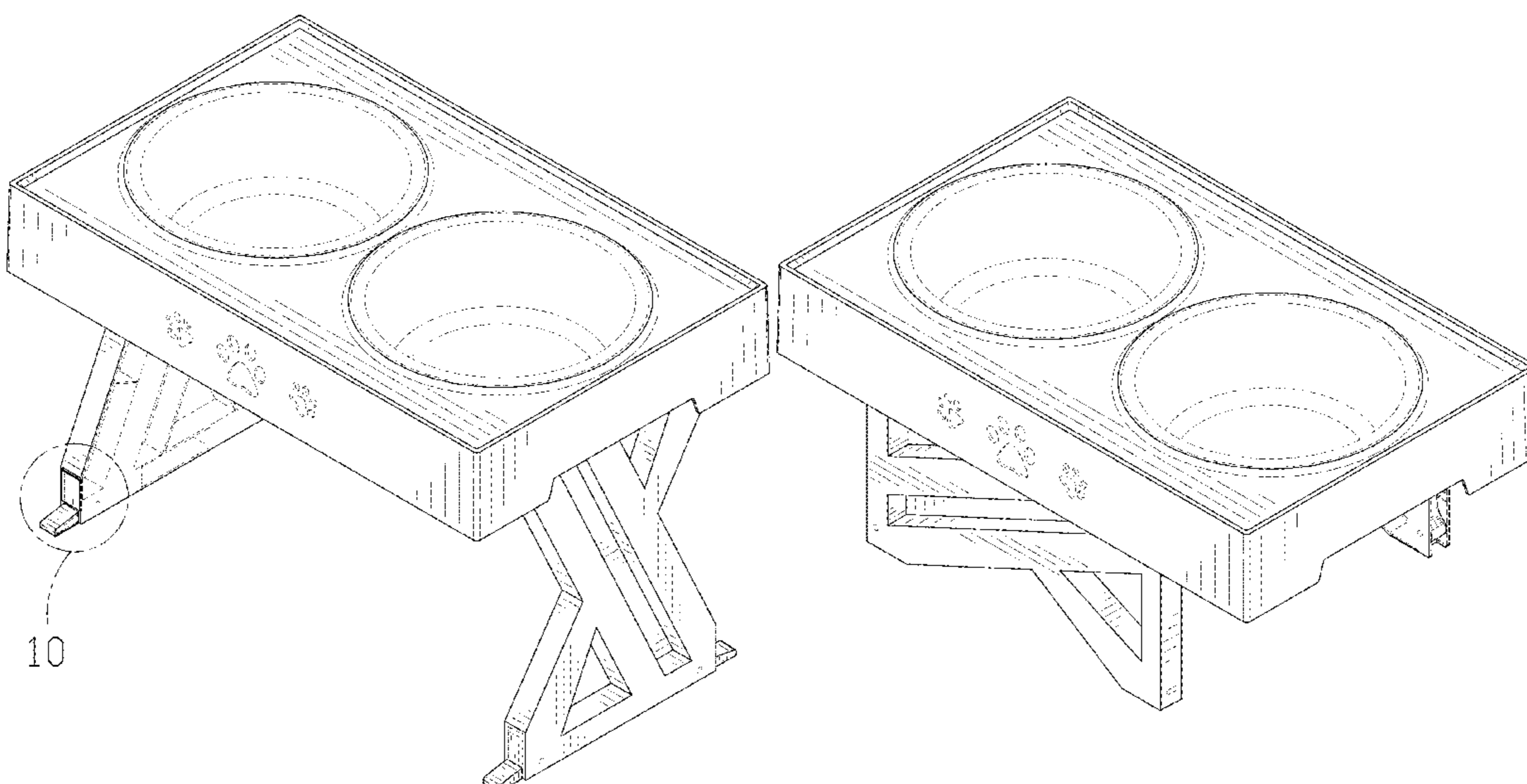
The broken lines shown in the drawings depict portions of the lifting cat table bowl in which the design is embodied that form no part of the claimed design.

1 Claim, 13 Drawing Sheets

(56) **References Cited**

U.S. PATENT DOCUMENTS

- D374,517 S * 10/1996 Morrill D30/133
- 6,427,604 B1 * 8/2002 Chrobak A47B 9/00
108/12



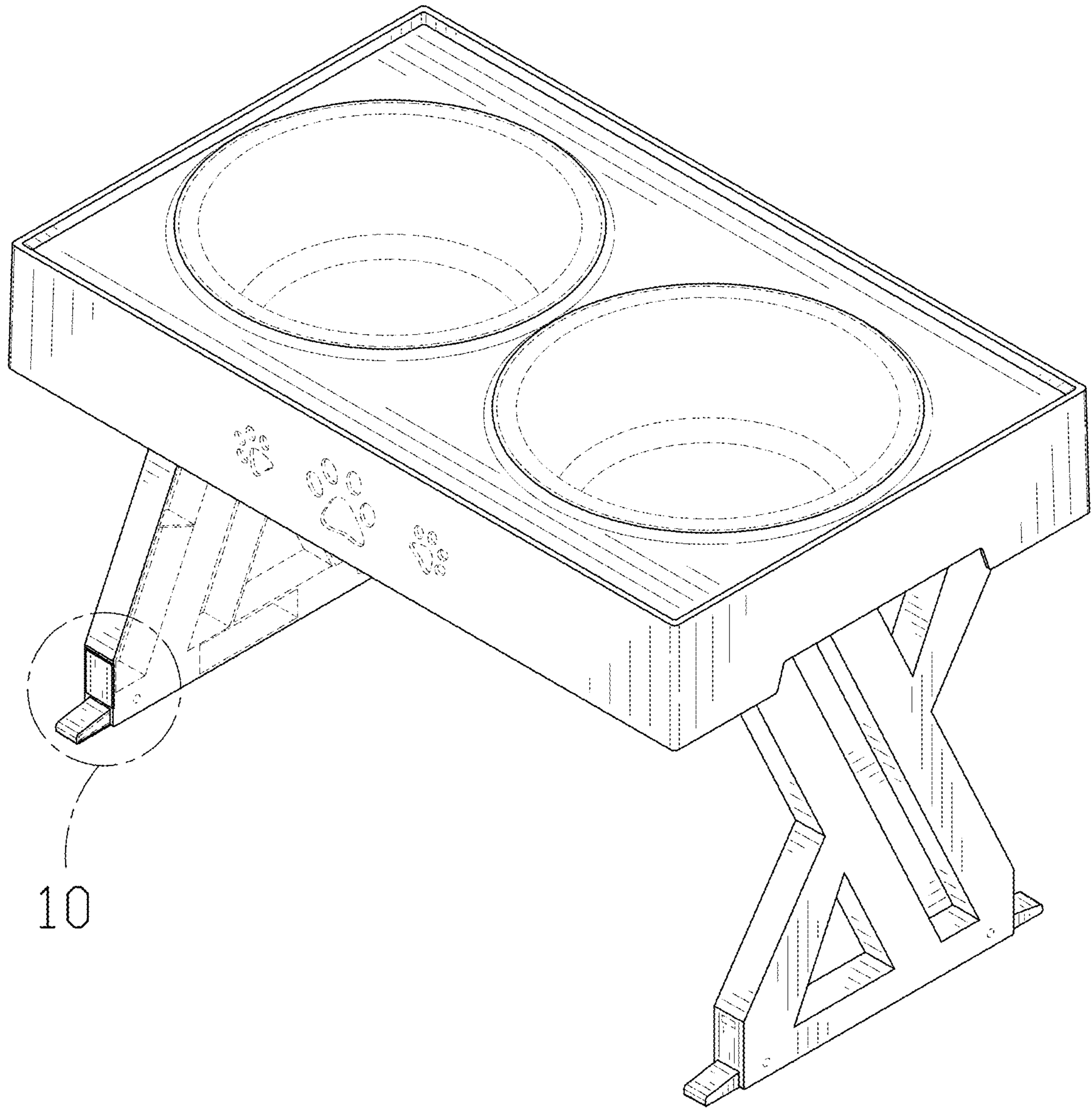
(56)

References Cited

U.S. PATENT DOCUMENTS

D896,448 S * 9/2020 Sharer D30/133
2003/0106498 A1* 6/2003 Mersits A01K 5/0142
119/61.53
2010/0107984 A1* 5/2010 Uffner A01K 5/0128
119/61.5
2019/0380304 A1* 12/2019 Batts A01K 5/0114

* cited by examiner



10

FIG. 1

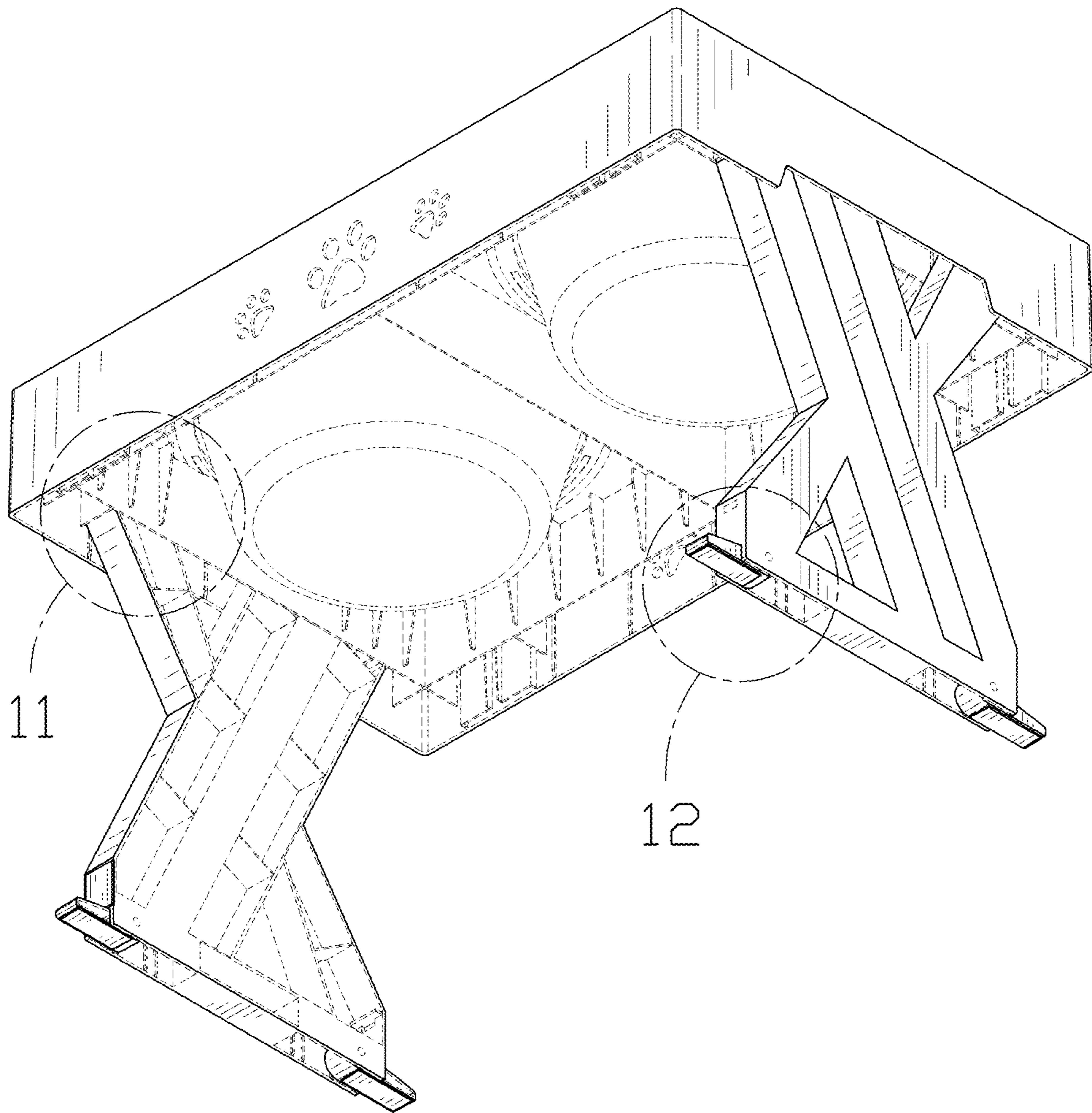


FIG. 2

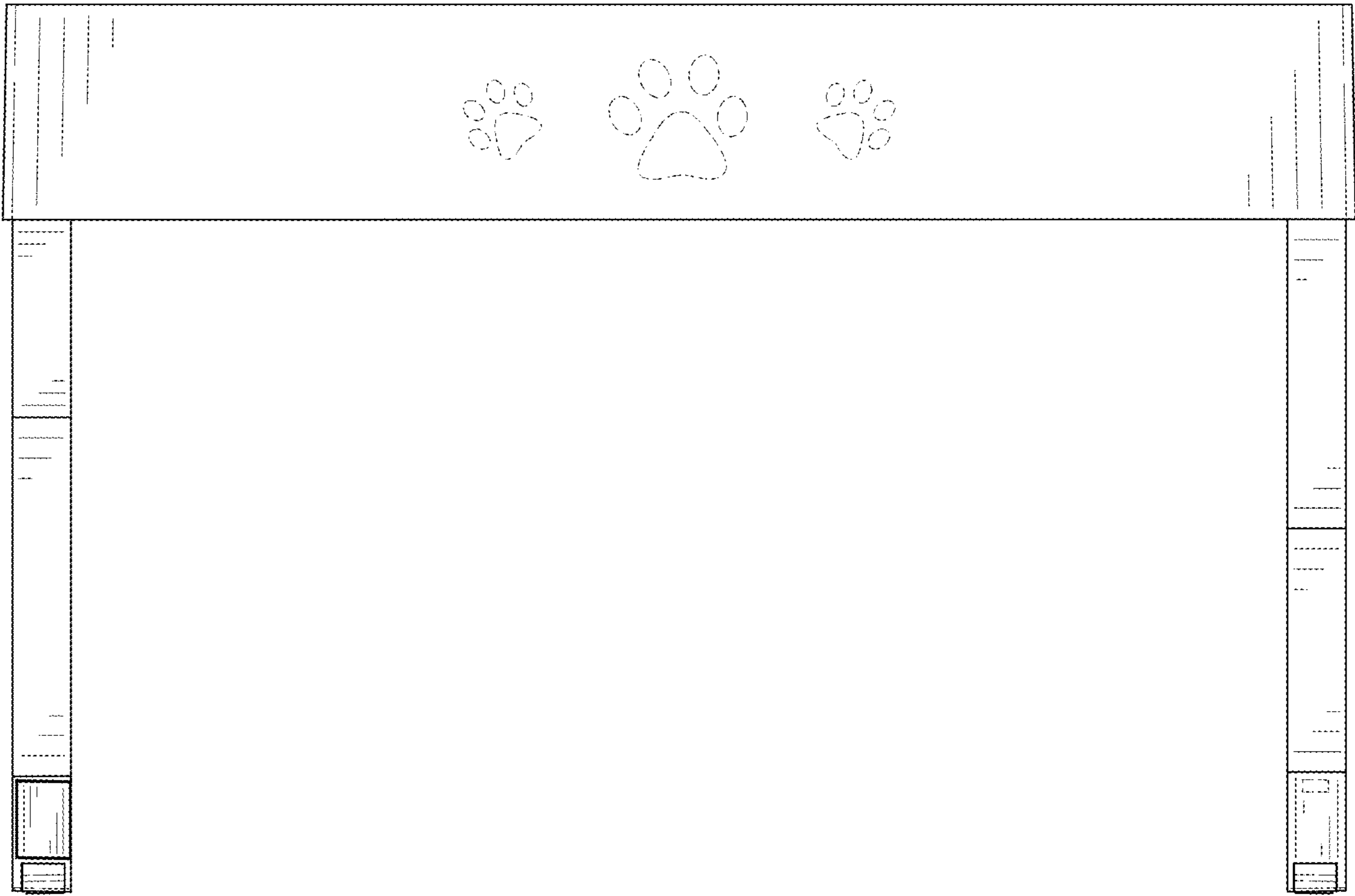


FIG. 3

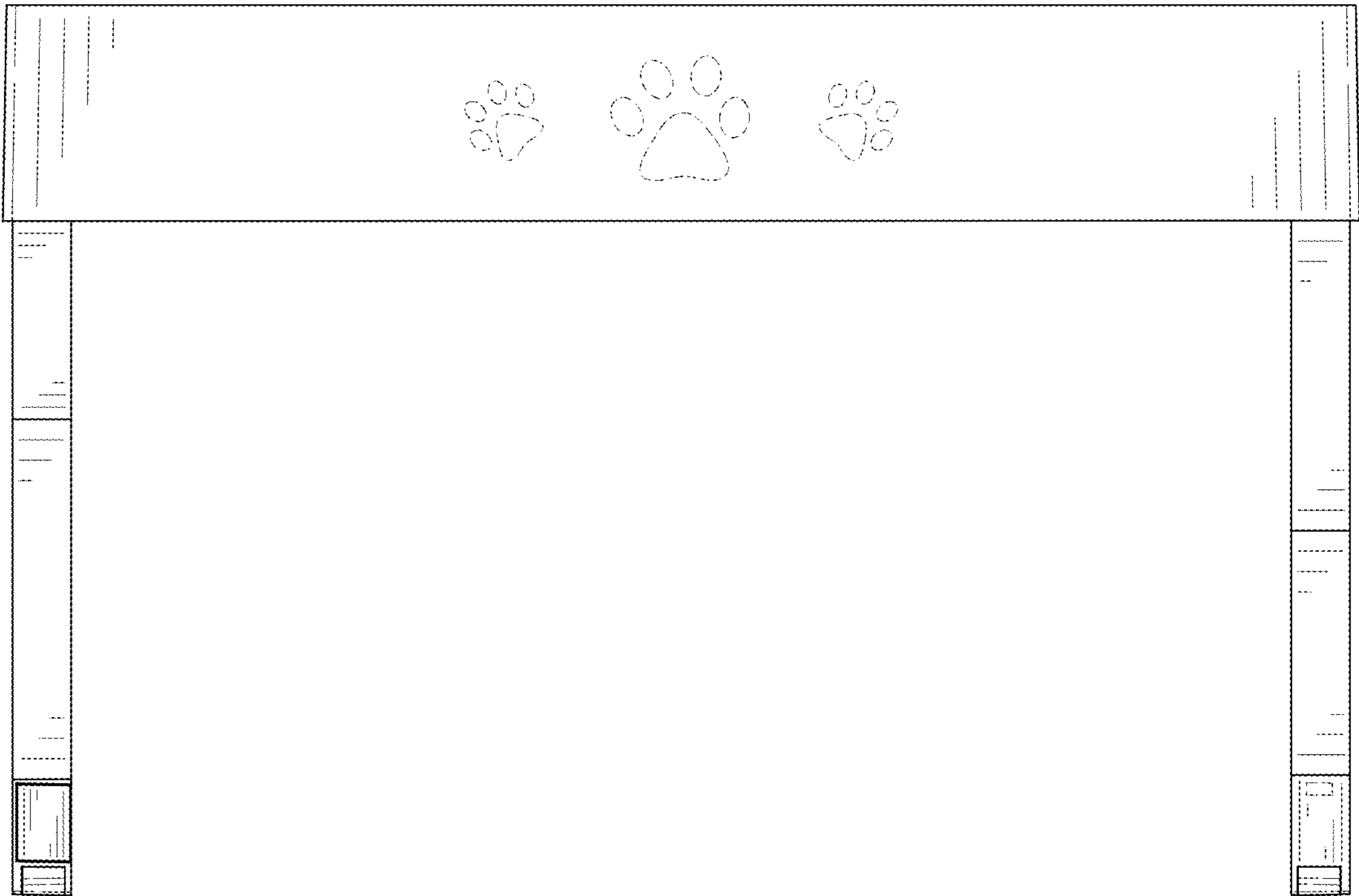


FIG. 4

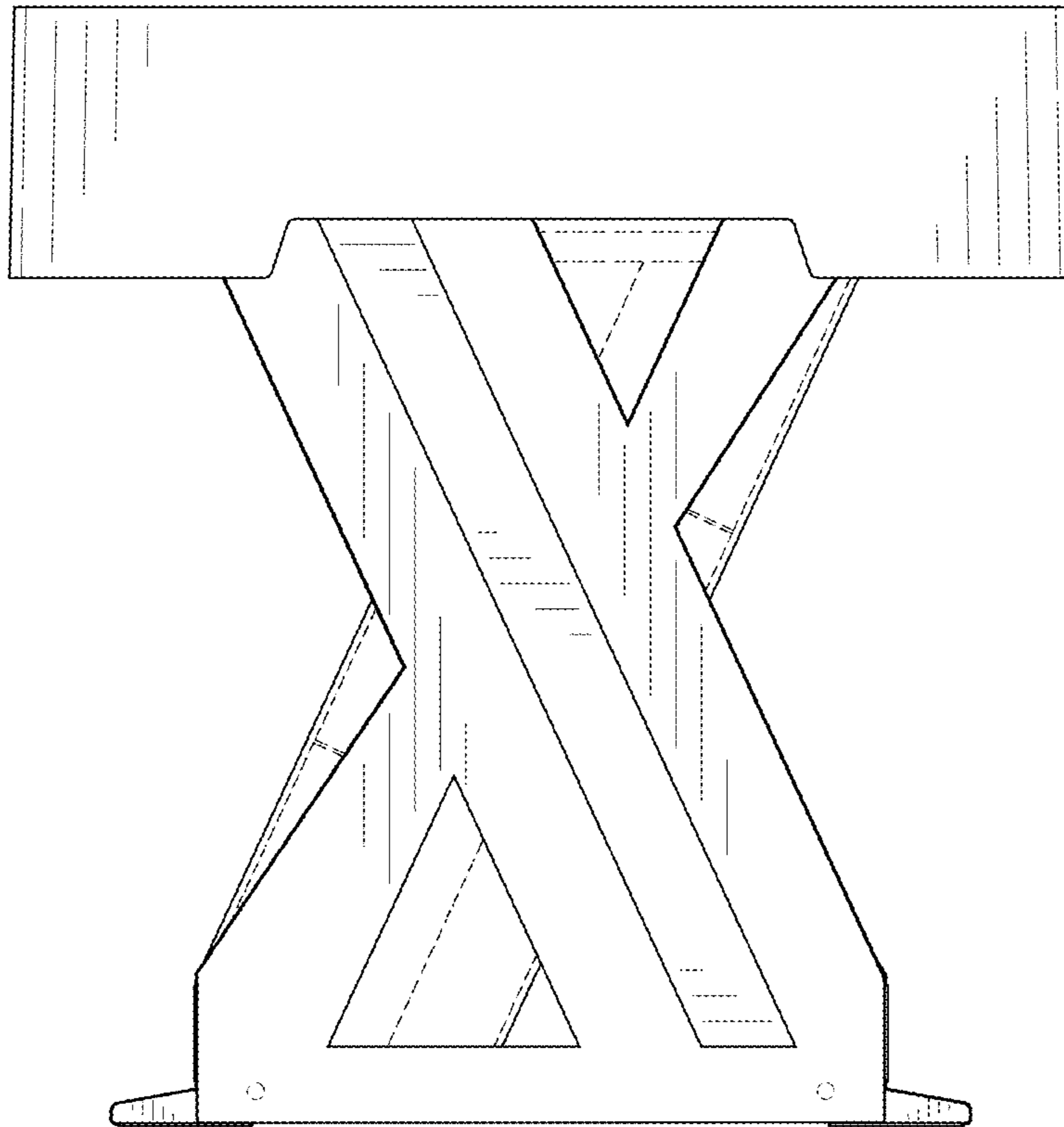


FIG. 5

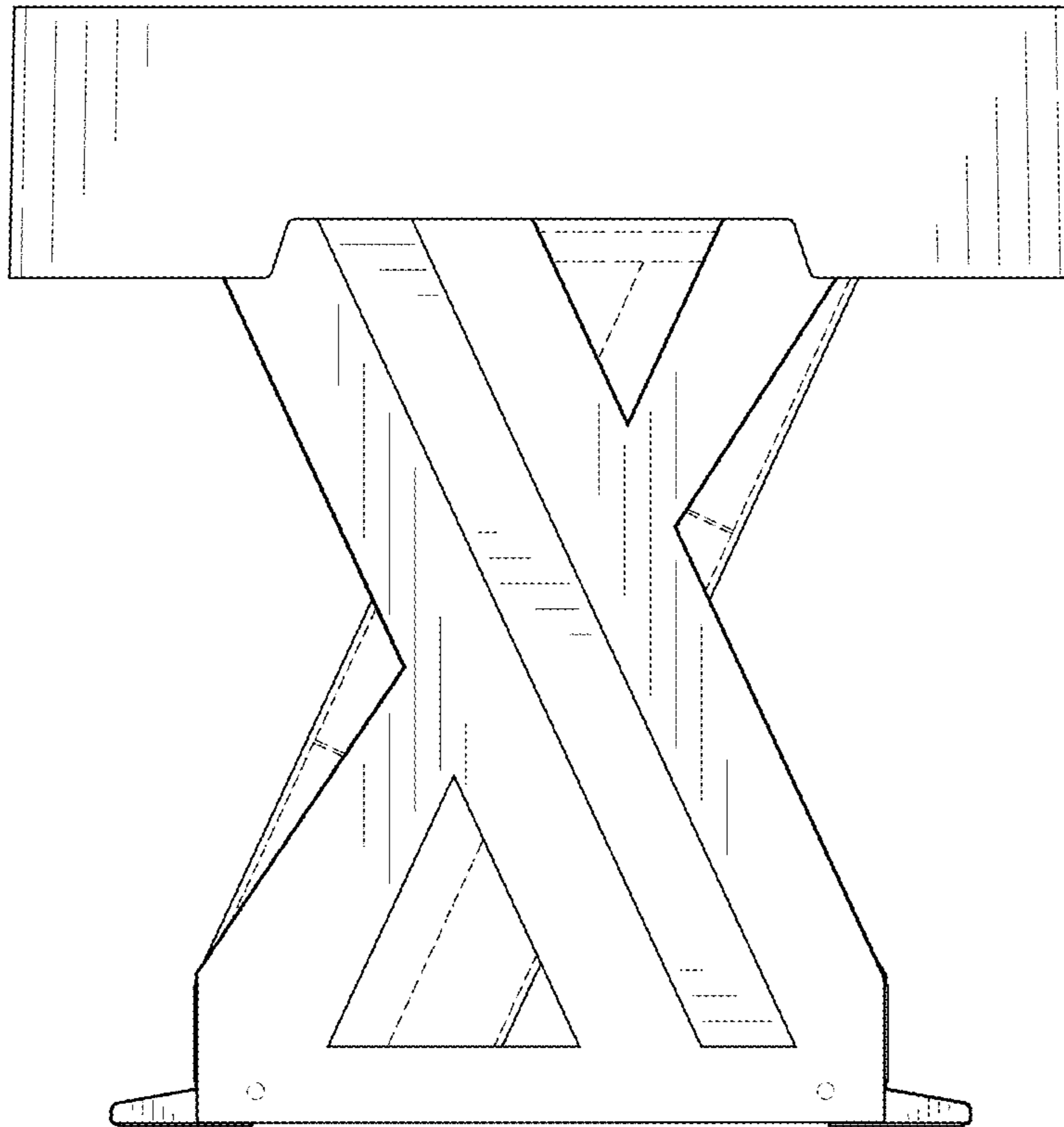


FIG. 6

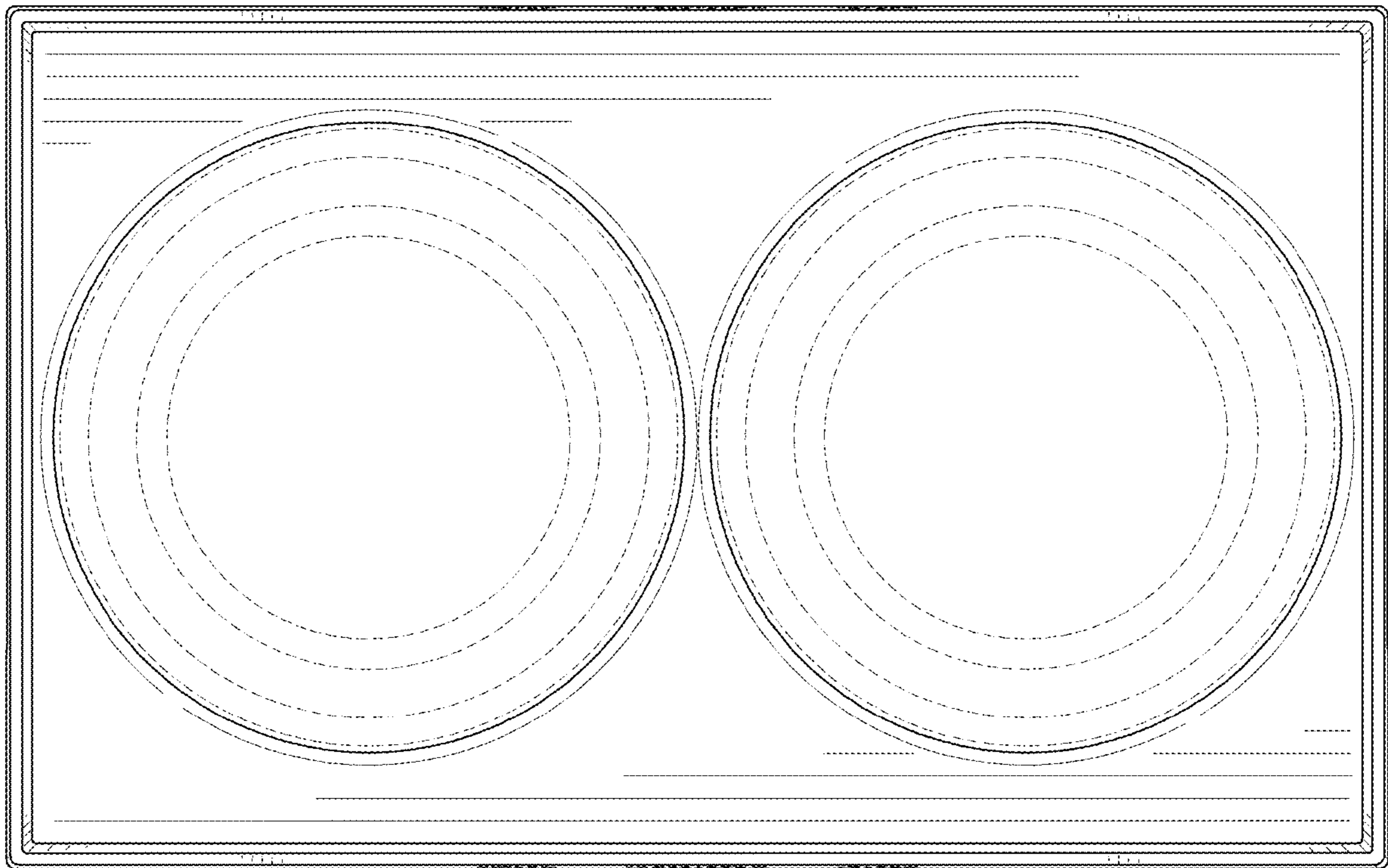


FIG. 7

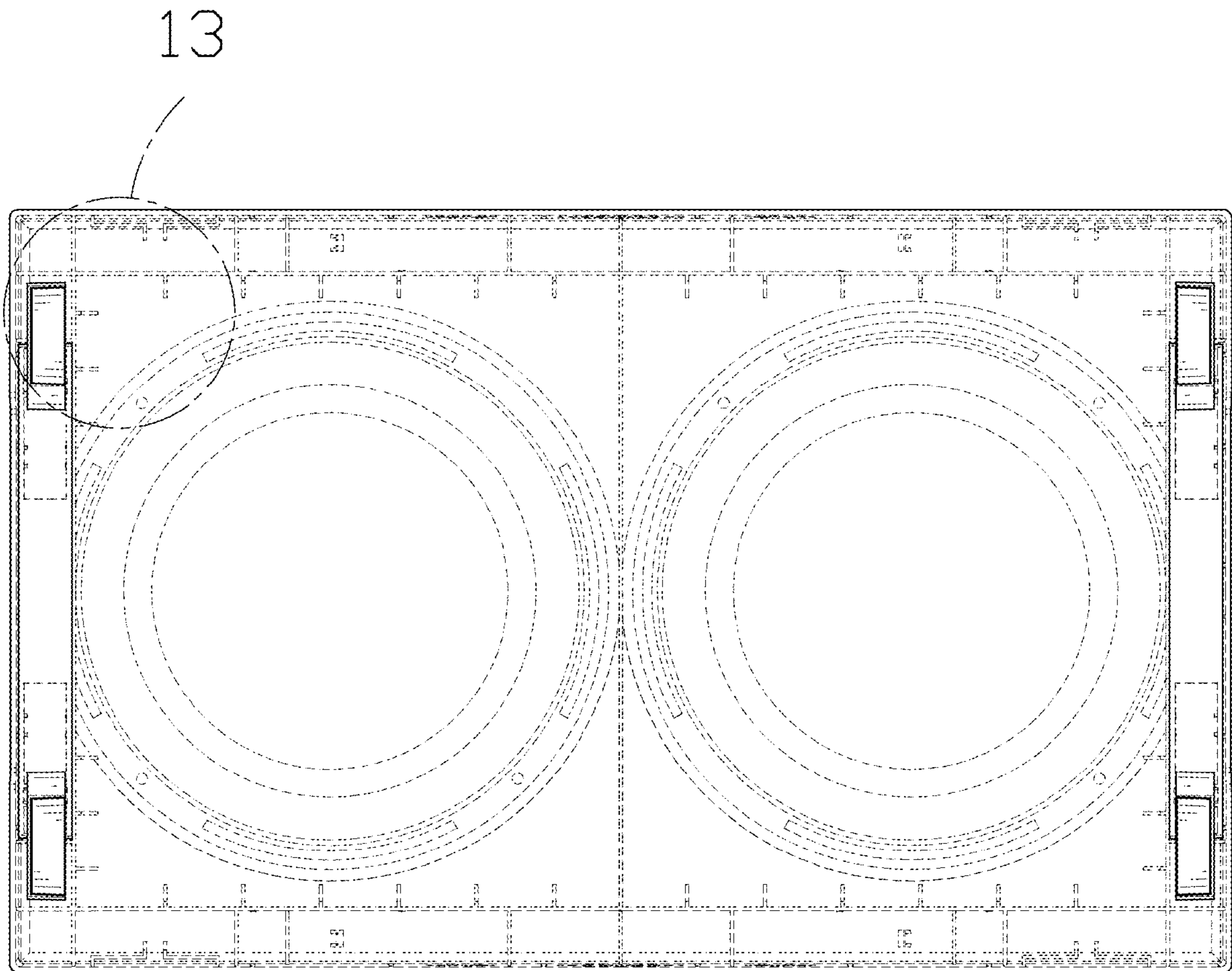


FIG. 8

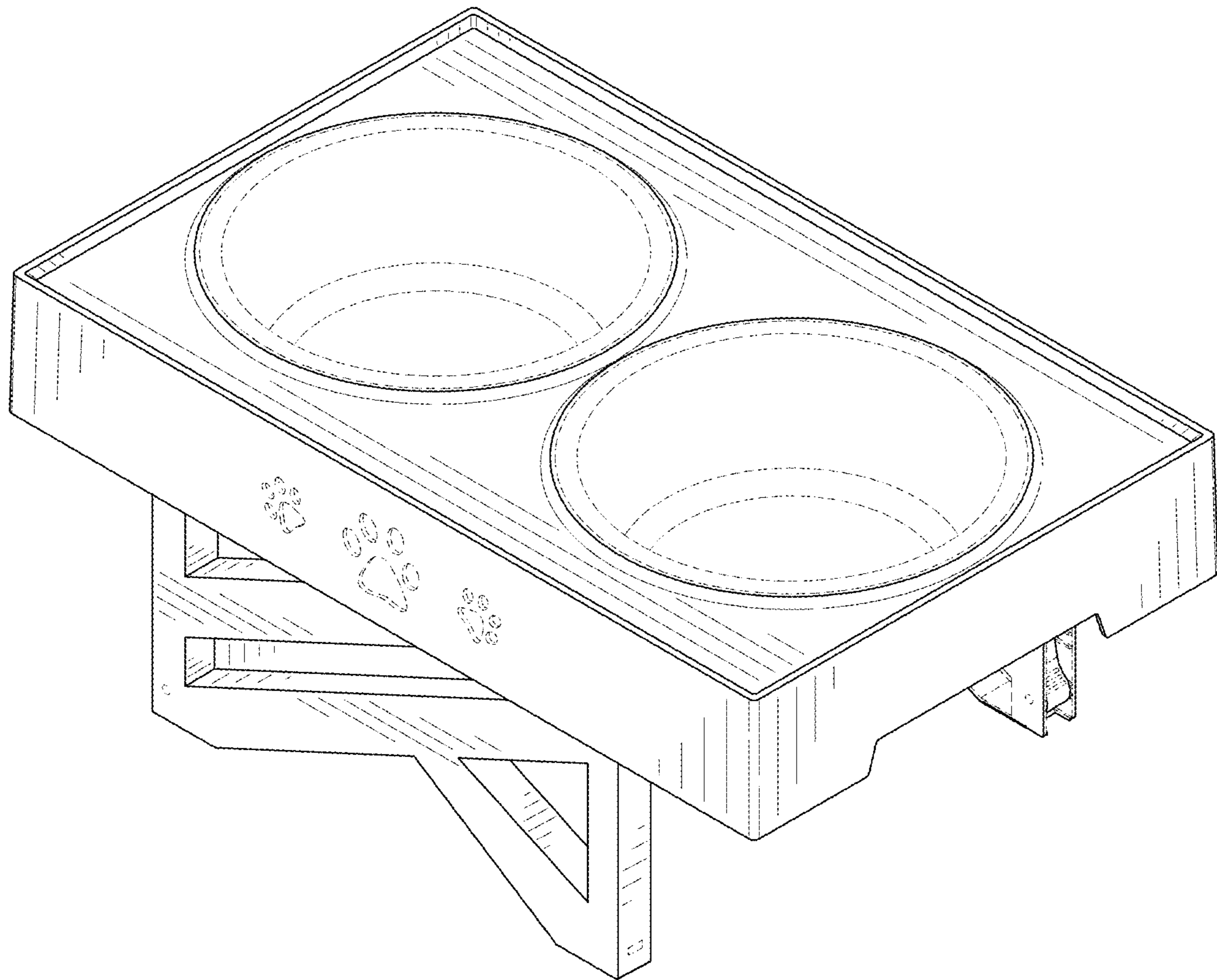


FIG. 9

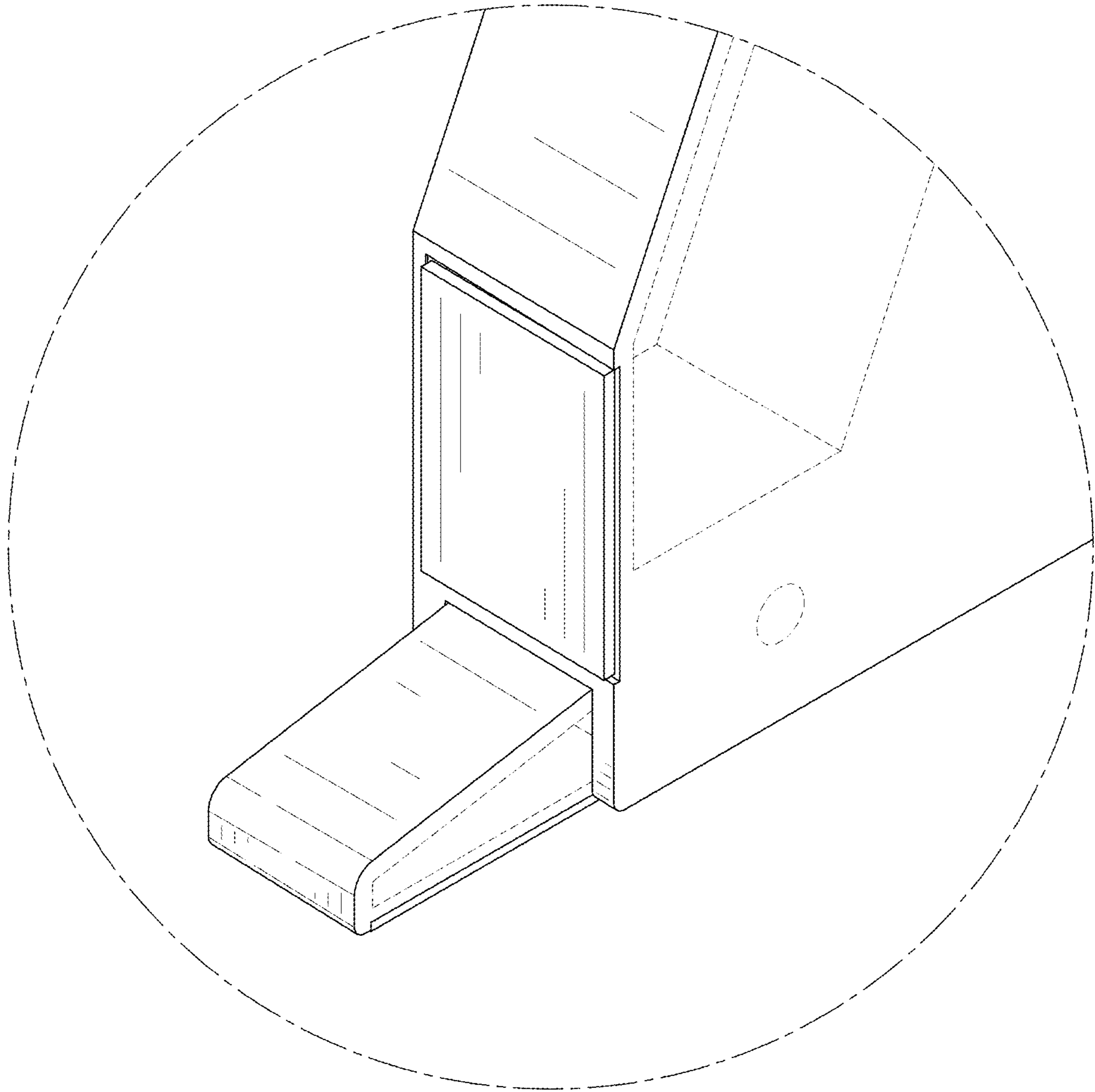


FIG. 10

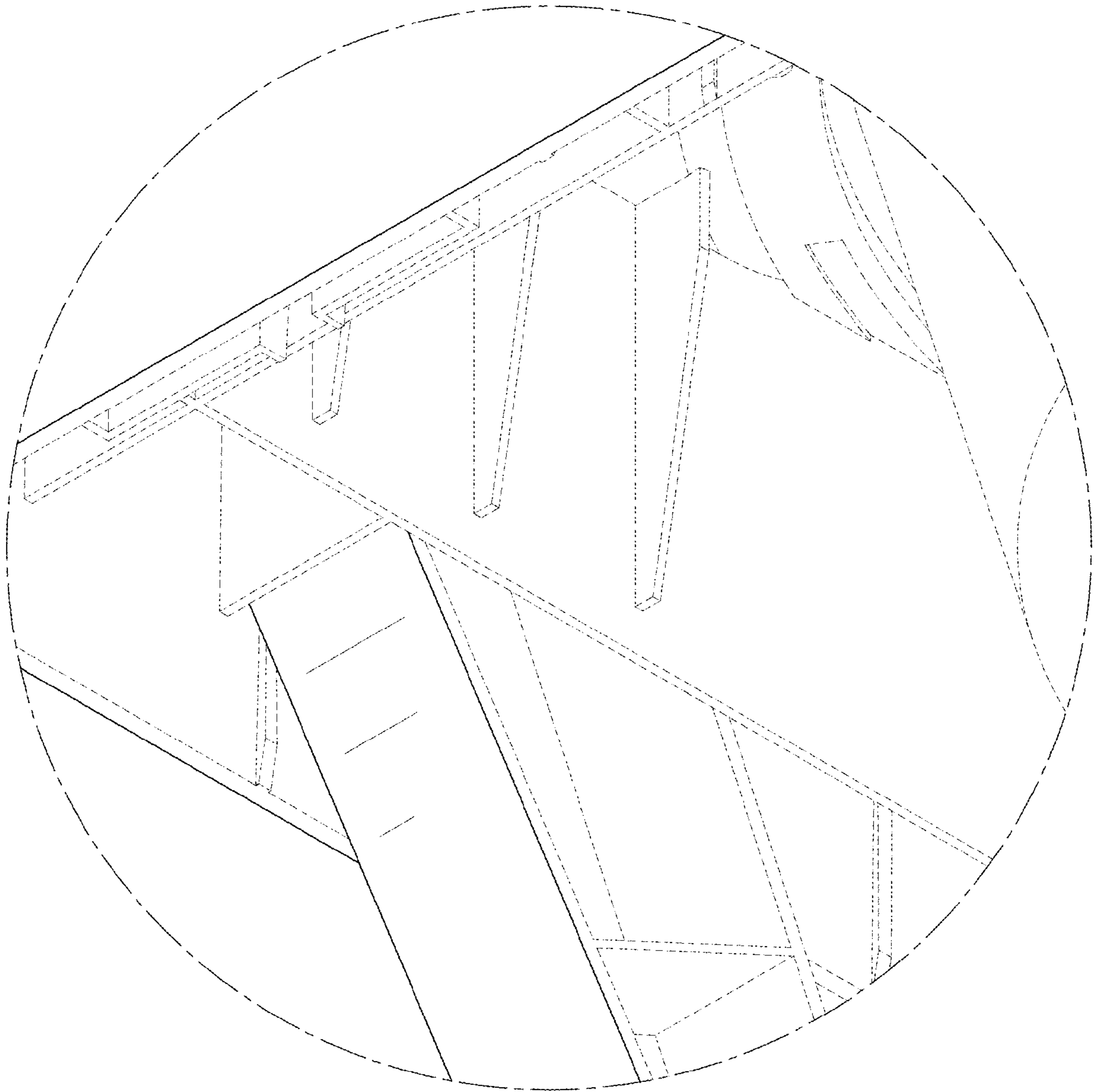


FIG. 11

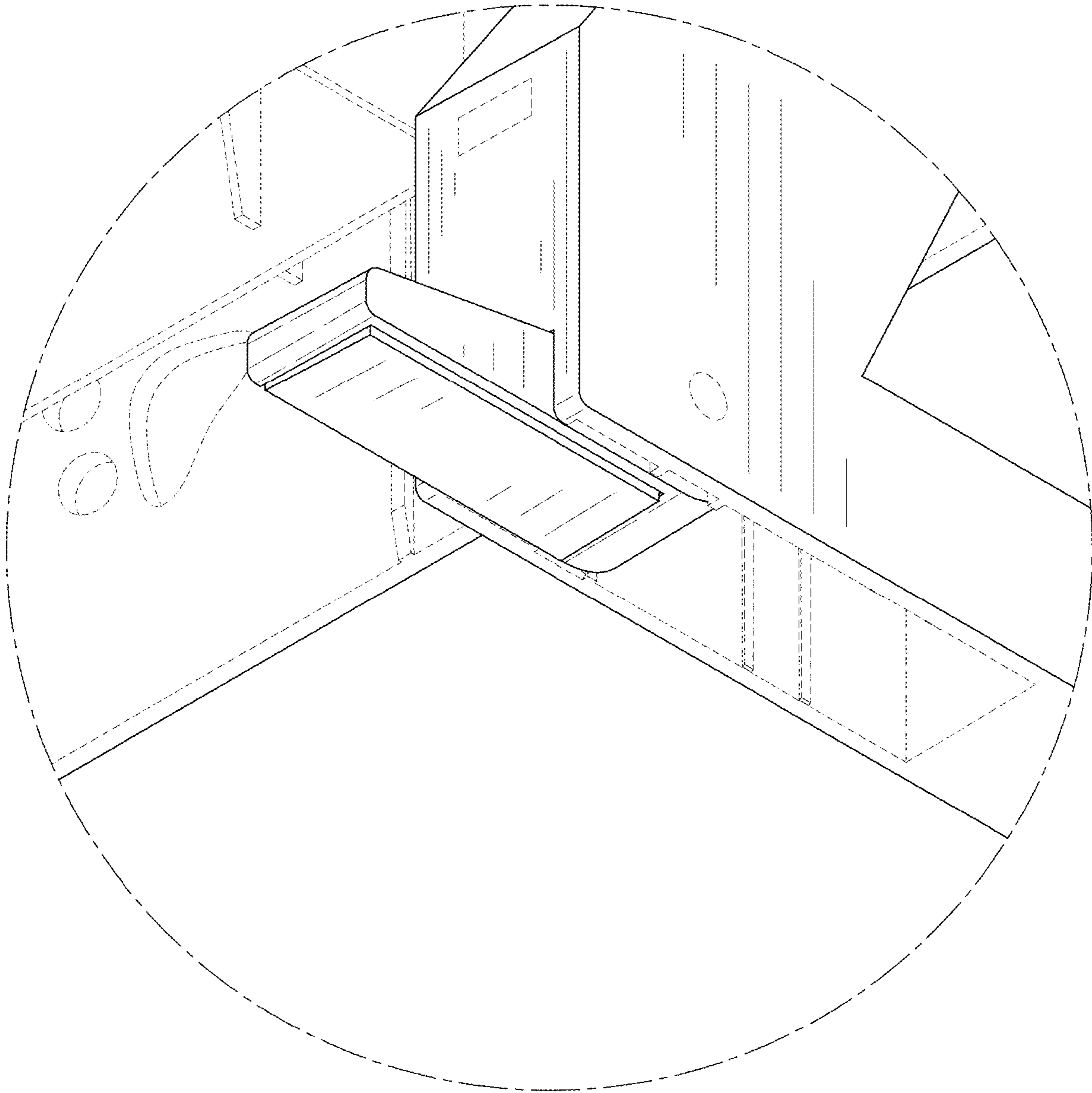


FIG. 12

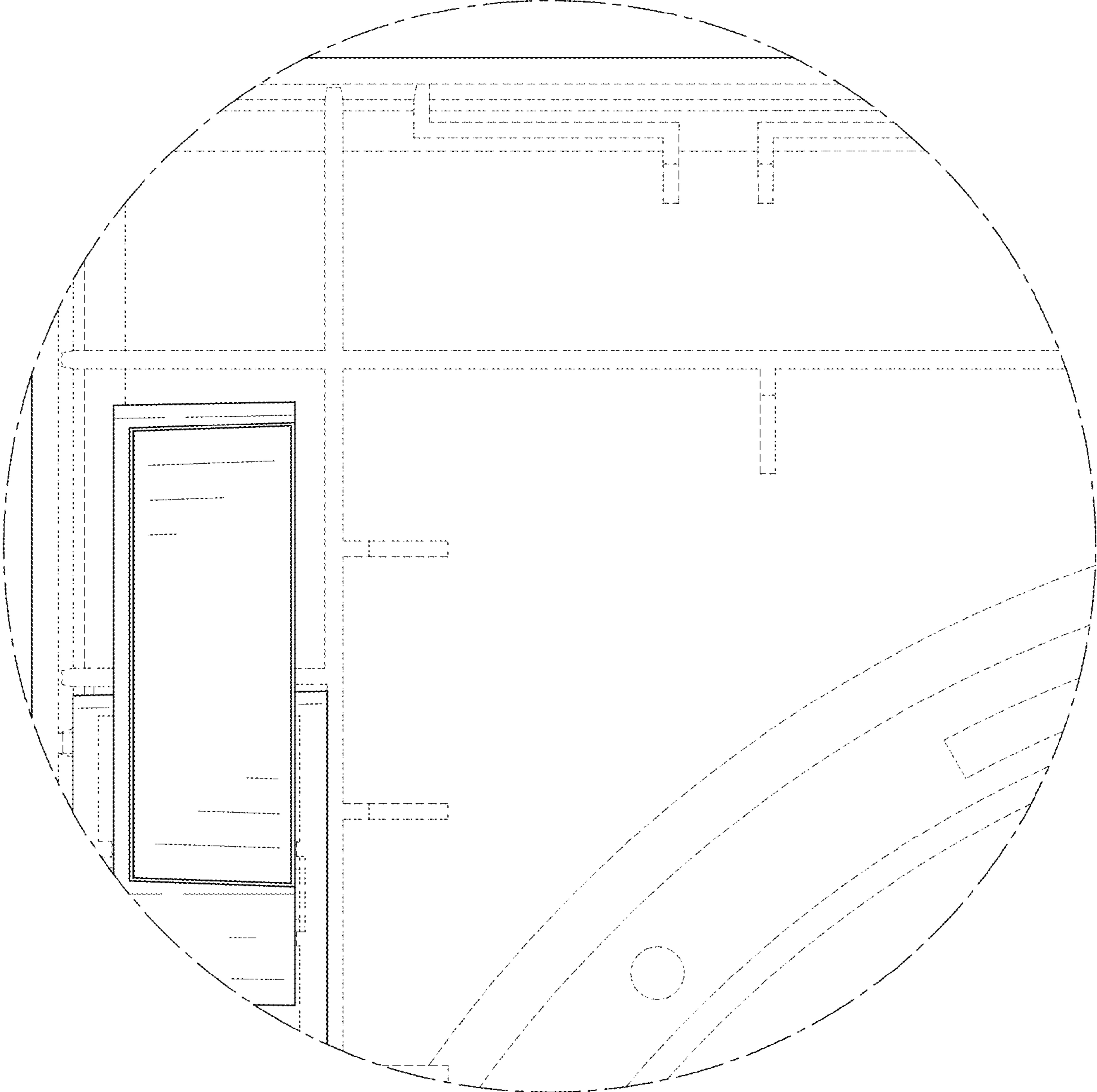


FIG. 13