



US00D933310S

(12) **United States Design Patent**
Wang

(10) **Patent No.:** **US D933,310 S**
(45) **Date of Patent:** **** Oct. 12, 2021**

(54) **PET BOTTLE SET**

(71) Applicant: **Shuanghe Wang**, Kuitun (CN)

(72) Inventor: **Shuanghe Wang**, Kuitun (CN)

(**) Term: **15 Years**

(21) Appl. No.: **29/768,886**

(22) Filed: **Feb. 2, 2021**

(51) **LOC (13) Cl.** **30-03**

(52) **U.S. Cl.**

USPC **D30/132**; D30/121; D30/129

(58) **Field of Classification Search**

USPC D30/121-133; 119/51.01, 61, 51.04, 53, 119/57.91, 54, 53.5, 52.4, 51.11, 63, 61.2, 119/52.1, 57.5, 57.6, 51.13, 62, 75, 500, 119/501, 72, 72.5, 74, 78-81, 61.56, 51.5; 239/7, 687, 379, 397.5; 222/199, 181.1, 222/181.2, 185.1, 557, 156, 485, 486, 222/548, 555, 207, 205, 424, 438, 48, 222/206, 212, 215, 460, 461, 525, 86, 89; 220/200, 227, 247, 262, 694, 700, 701, 220/703, 660-662, 521, 705, 709, 287, 220/523, 574, 6, 771, 737, 23.83, 212, 220/4.22, 847; 221/174, 185.1, 289, 295, 221/296, 559; 454/35; 209/270, 283, 209/244; 52/194, 192; 49/279, 344, 357; D34/28; D9/531, 549, 516, 523, 530, D9/538, 541, 544, 559, 719, 716, 424, D9/426, 432, 428, 431, 433, 739, 447; D7/300, 300.1, 302-305, 312, 316, 317, D7/507-512, 523, 524, 528, 700, 709, D7/605, 620, 612, 619.1, 624.2, 624.3, D7/550.1, 571, 587; D3/132; D15/143, D15/199; D28/4, 7, 9; D19/66; 141/343, 331, 340, 384, 330, 332, 383, 141/311 R, 313, 338, 344, 345; 210/455; 215/228, 231, 235, 319-383, 386, DIG. 7, 215/388, 6, 12.1, 10, 13.1; 4/258, 259, 4/267; 206/459.1, 459.5, 501, 45.23, 6,

206/514, DIG. 10, 217, 543, 544, 546, 206/549, 223, 241, 541, 518, 522, 557, 206/591; 224/148.4, 148.7, 650

CPC . A01K 7/00; A01K 7/005; A01K 7/02; A01K 7/022; A01K 7/06; A01K 39/0213; A01K 39/02; B65D 41/26; B65D 41/265; B65D 41/28; B65D 41/32; B65D 41/325; B65D 41/34; B65D 41/56; B65D 51/20; B65D 51/249; B65D 51/24; B65D 51/28;

(Continued)

(56) **References Cited**

U.S. PATENT DOCUMENTS

D264,428 S * 5/1982 Jones D24/117
D302,656 S * 8/1989 Green D9/741

(Continued)

Primary Examiner — Susan Moon Lee

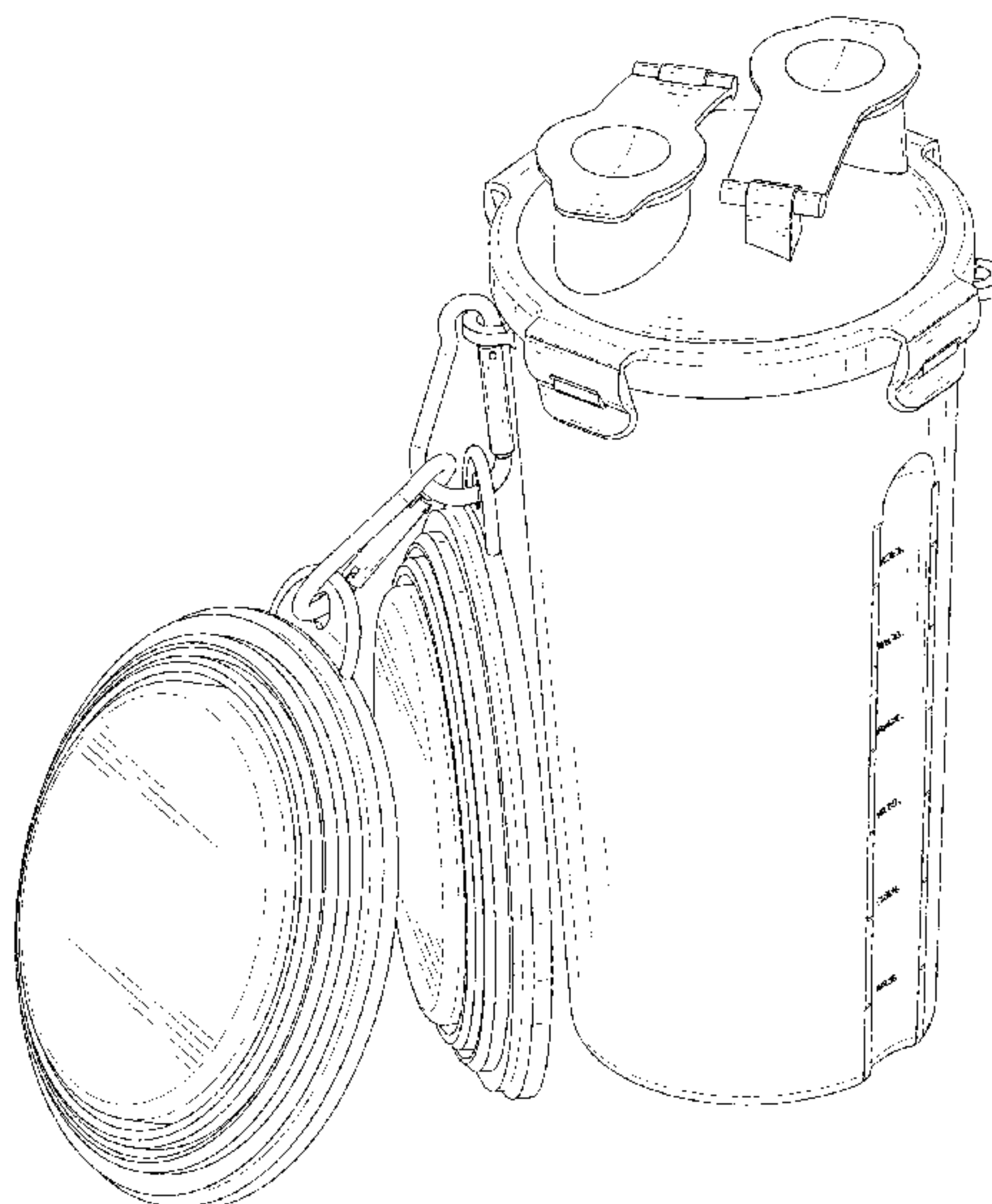
(57) **CLAIM**

The ornamental design for a pet bottle set, as shown and described.

DESCRIPTION

FIG. 1 is a perspective view of a pet bottle set showing my new design;
FIG. 2 is another perspective view thereof;
FIG. 3 is a front elevational view thereof;
FIG. 4 is a rear elevational view thereof;
FIG. 5 is a left side elevational view thereof;
FIG. 6 is a right side elevational view thereof;
FIG. 7 is a top plan view thereof;
FIG. 8 is a bottom plan view thereof;
FIG. 9 is an exploded perspective view of the pet bottle set where bowls of the pet bottle set are in an open state; and, FIG. 10 is an enlarged view of portion 10 shown in FIG. 1. The broken lines in the drawings depict portions of the pet bottle set that form no part of the claimed design.

1 Claim, 10 Drawing Sheets



(58) **Field of Classification Search**

CPC B65D 47/243; B65D 2205/04; B65D 21/0238; B65D 81/3205; B65D 81/3216; B65D 71/50; B65D 77/2024; B65D 43/0212; B65D 43/0231; B65D 2517/0049; B65D 2543/00046; B65D 2543/00092; B65D 2543/00537; B65D 2543/00731; B65D 2543/00796; B65D 2577/205; A61J 9/00; A61J 9/006; A61J 9/001; A61J 9/003; A61J 11/04; A61J 19/00; B65B 39/00; B65B 39/001; B65B 39/005; B65B 39/007; B67C 11/02; G01F 11/286; B67B 7/28; A45F 3/16

See application file for complete search history.

(56) **References Cited**

U.S. PATENT DOCUMENTS

D323,108 S * 1/1992 Green D9/741
 D349,136 S * 7/1994 Pachol D21/576
 D373,050 S * 8/1996 Brewer D7/505
 D463,955 S * 10/2002 Queensberry D7/554.2
 D478,474 S * 8/2003 Zettle D7/545
 D510,235 S * 10/2005 Sorensen D7/510
 D510,295 S * 10/2005 Lehman D11/152
 D522,809 S * 6/2006 Kusuma B65D 21/086
 D7/602
 D565,353 S * 4/2008 Roth D7/510
 D580,227 S * 11/2008 Roth D7/392.1
 D628,088 S * 11/2010 Huntington D9/719
 D644,065 S * 8/2011 Llerena D7/510
 D646,919 S * 10/2011 Nilsson B65D 47/148
 D7/300.1

D646,931 S * 10/2011 Chen D7/554.2
 D666,047 S * 8/2012 Lin D7/300.1
 D697,798 S * 1/2014 Sorensen D9/429
 D705,501 S 5/2014 Li
 9,216,843 B2 * 12/2015 Sorensen B65D 51/28
 D751,344 S * 3/2016 Charlton D7/510
 D766,029 S * 9/2016 Lin D7/300.1
 D771,990 S * 11/2016 Horowitz D7/300.1
 D773,126 S * 11/2016 Scaba D30/129
 9,706,880 B1 * 7/2017 Kalamaras A47J 43/27
 D798,668 S * 10/2017 Steel D7/531
 D804,910 S * 12/2017 Steel D7/531
 D805,827 S * 12/2017 Toth D7/300.1
 9,992,970 B2 * 6/2018 Abbey A01K 7/00
 10,085,543 B2 * 10/2018 Breit B65D 23/003
 10,307,019 B2 * 6/2019 Yurkovetskaya A47J 45/02
 D853,663 S * 7/2019 Song D30/129
 D859,919 S * 9/2019 Gronkowski D7/510
 D863,694 S 10/2019 Pan
 10,661,945 B2 * 5/2020 Beardsell B65D 43/0231
 D895,372 S * 9/2020 Loudenslager D7/584
 D900,540 S * 11/2020 Sorensen D7/392.1
 D913,036 S * 3/2021 Steenari D7/392.1
 2011/0220674 A1 * 9/2011 Honeyghan B65D 47/0895
 220/849
 2014/0360908 A1 * 12/2014 Sorensen B65D 51/28
 206/501
 2016/0280447 A1 * 9/2016 Beardsell B65D 47/148
 2016/0316896 A1 * 11/2016 Breit A01K 7/00
 2017/0129665 A1 * 5/2017 Rolfes B65D 1/0246
 2017/0225850 A1 * 8/2017 Sorensen B65D 25/56
 2017/0361984 A1 * 12/2017 Fouad B65D 21/0233
 2019/0380541 A1 * 12/2019 Yurkovetskaya .. B65D 43/0231
 2020/0077622 A1 * 3/2020 Xiao B65D 47/2012
 2020/0375404 A1 * 12/2020 Mager A47J 43/27

* cited by examiner

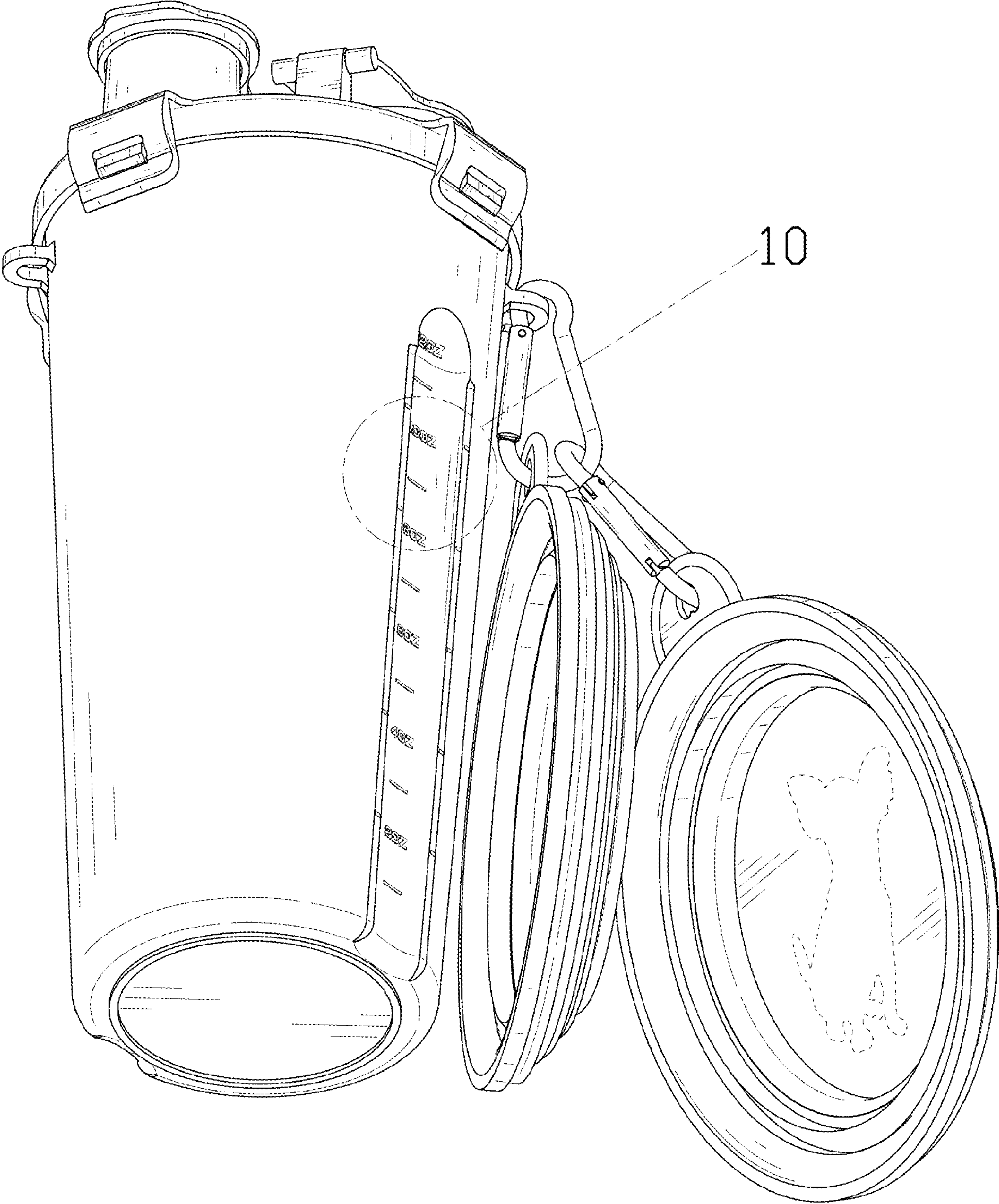


FIG. 1

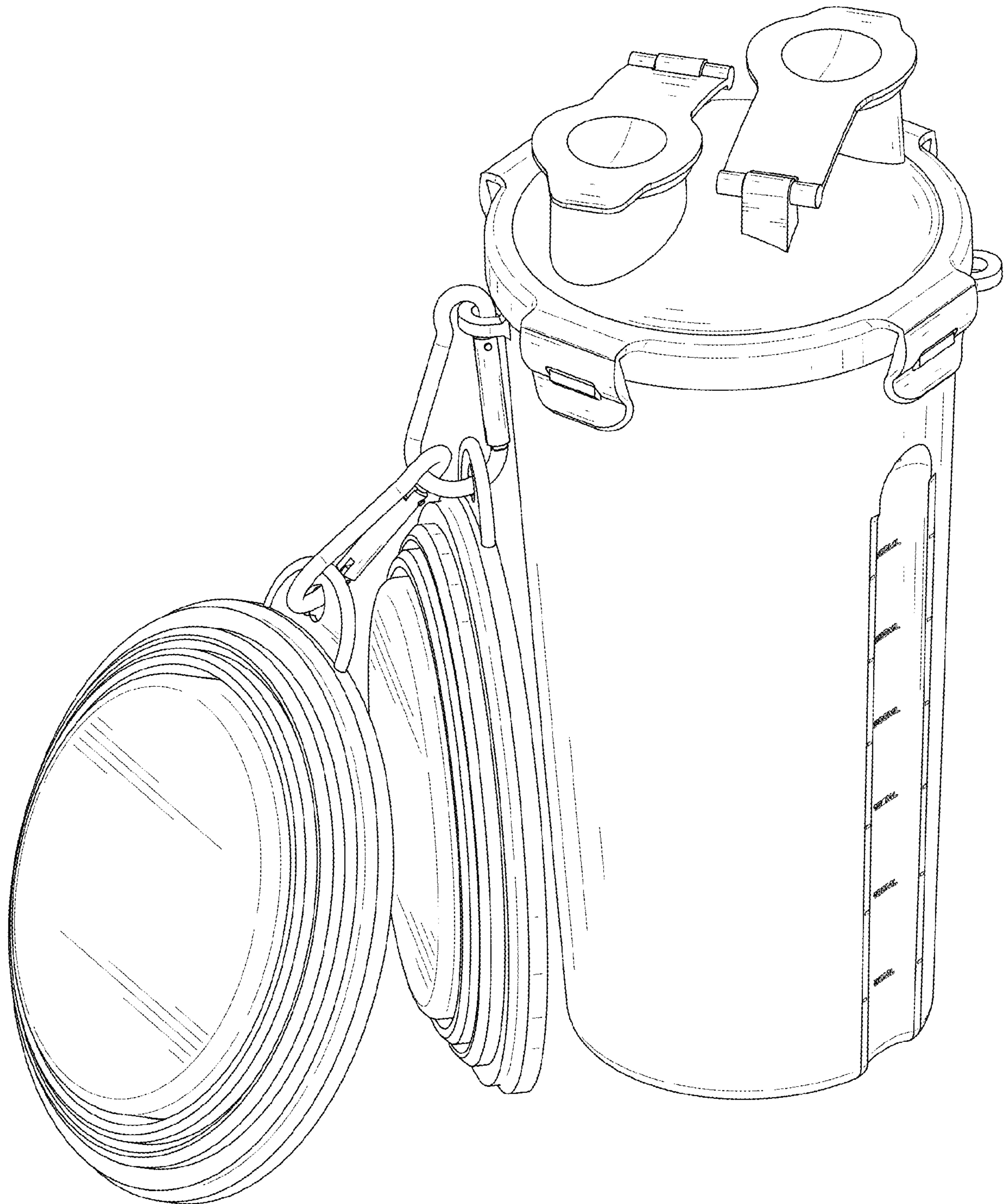


FIG. 2

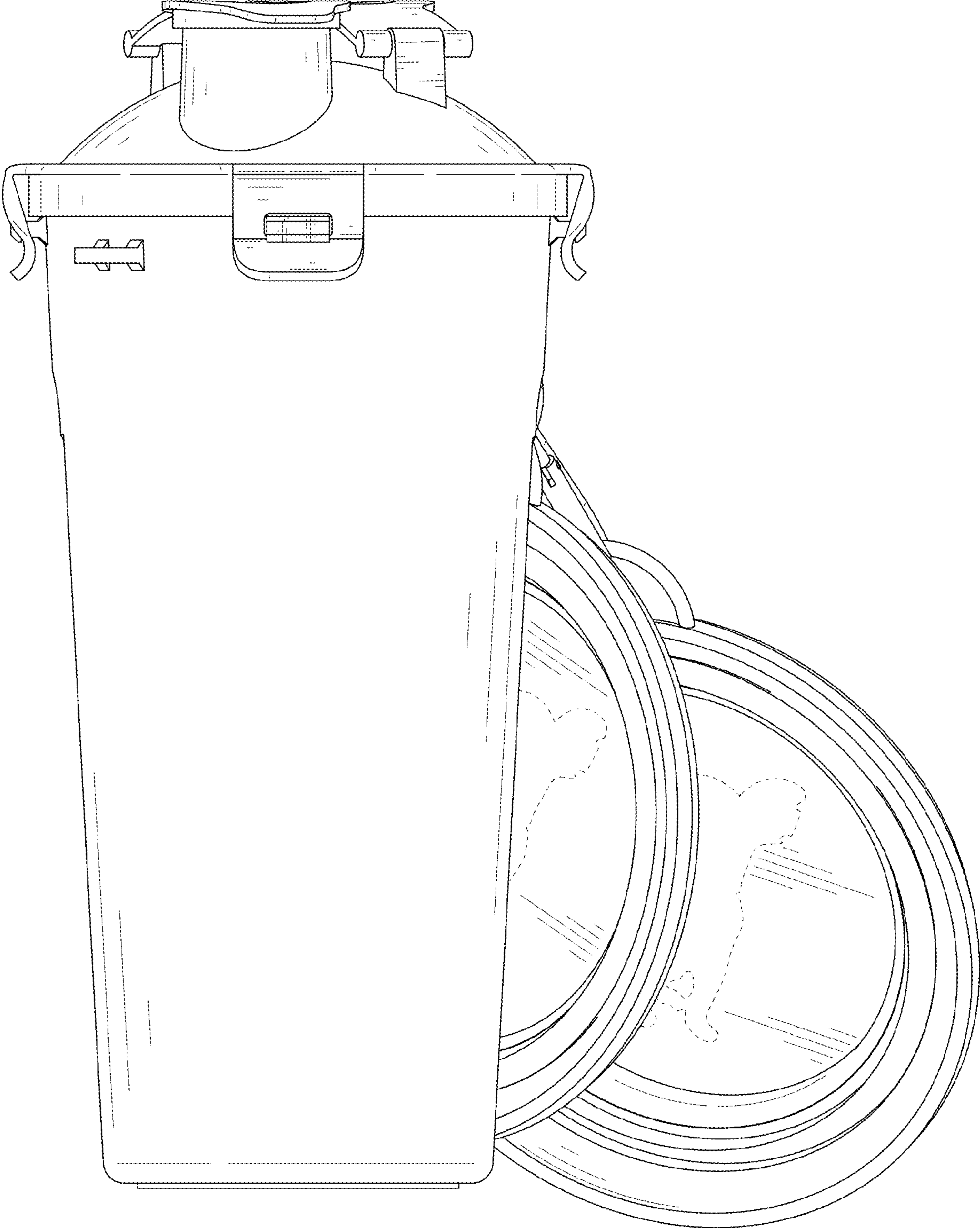


FIG. 3

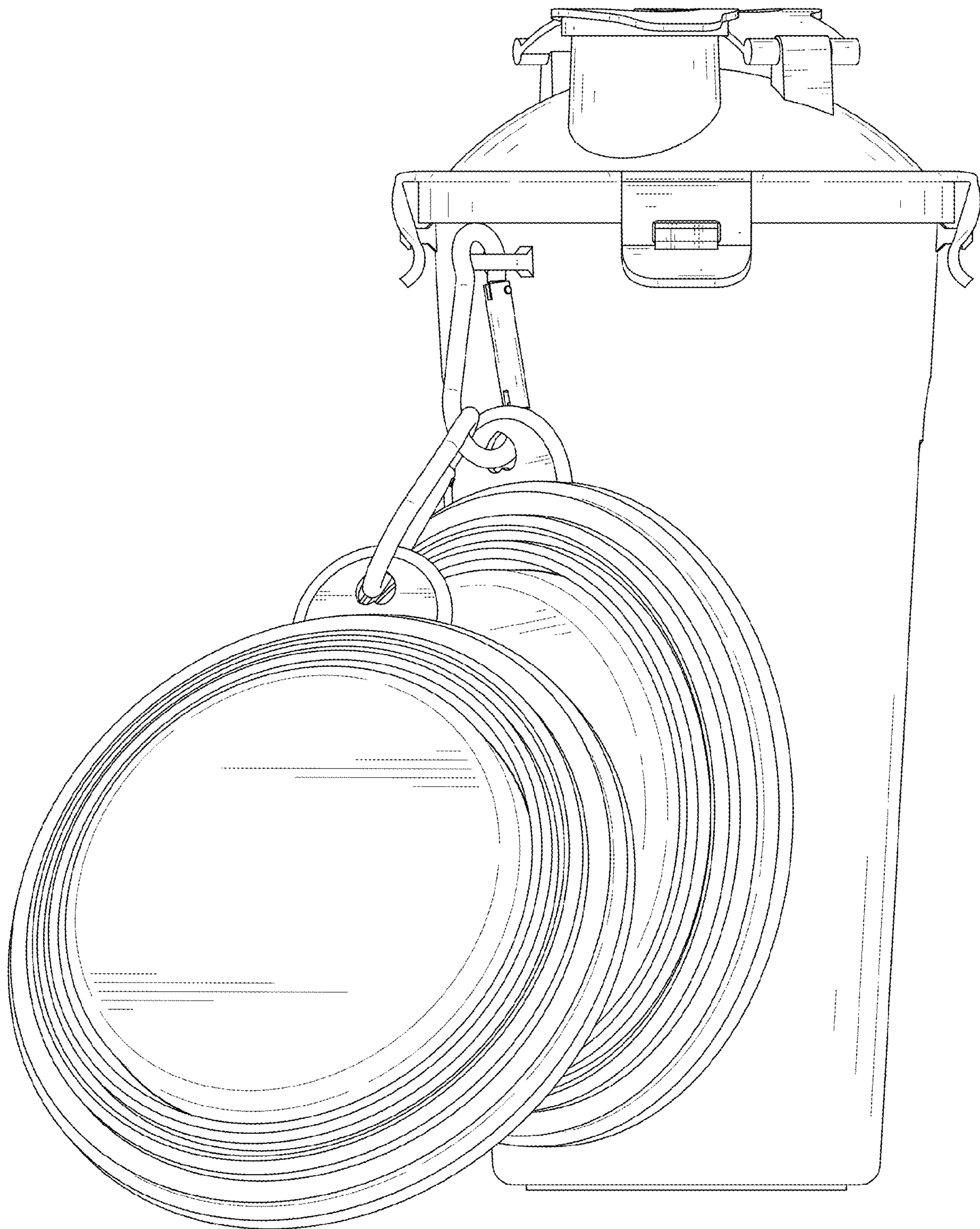


FIG. 4

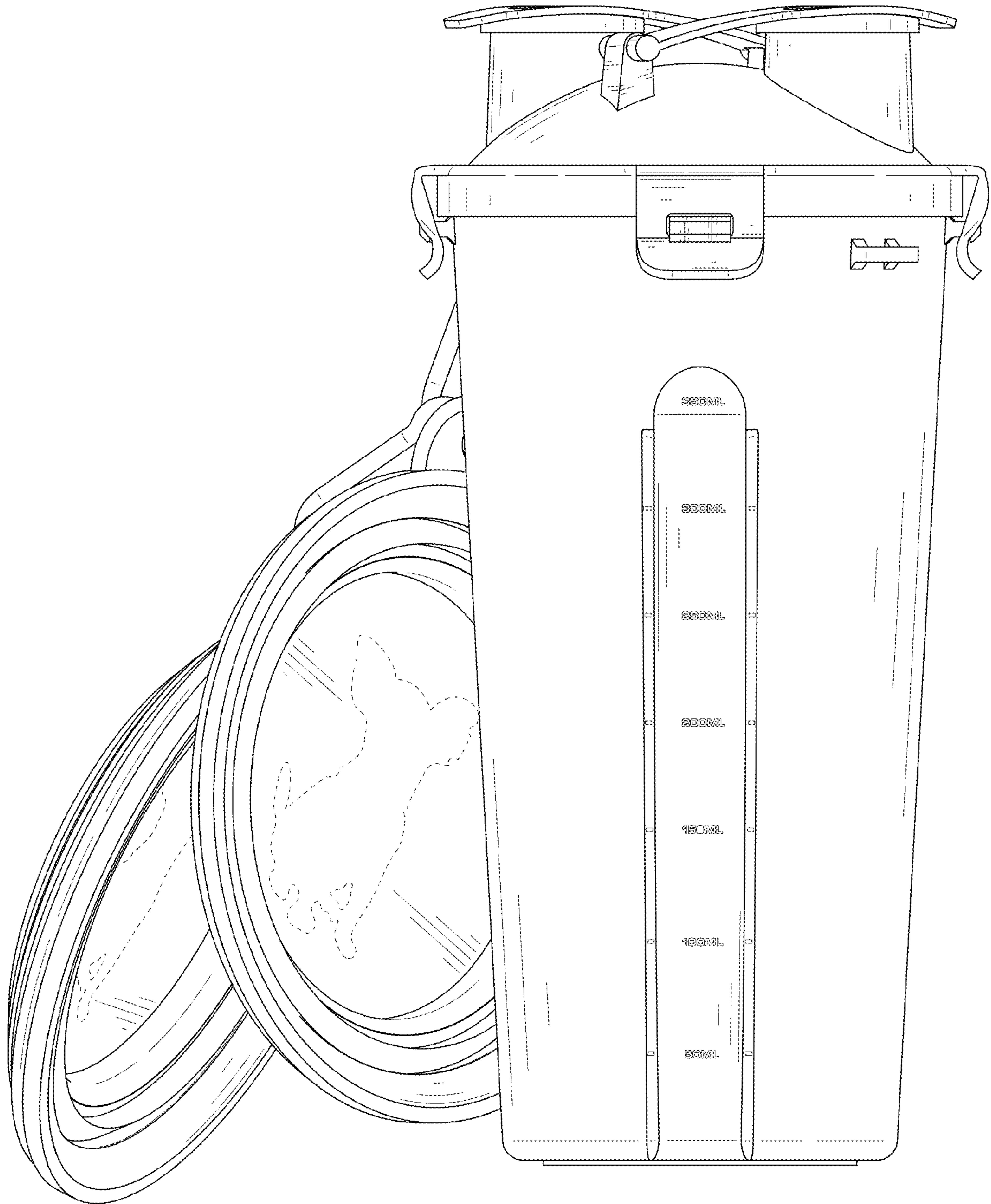


FIG. 5

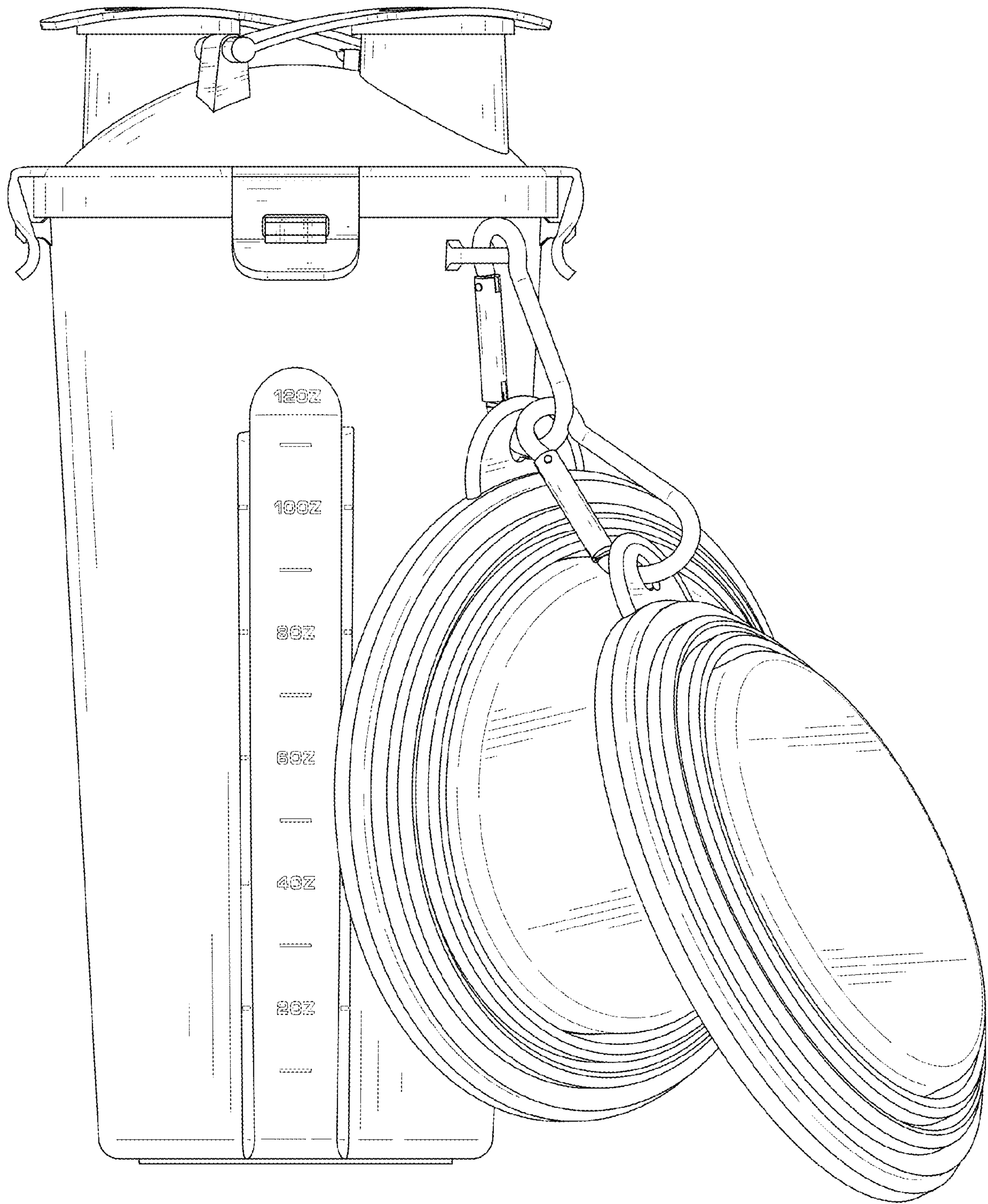


FIG. 6

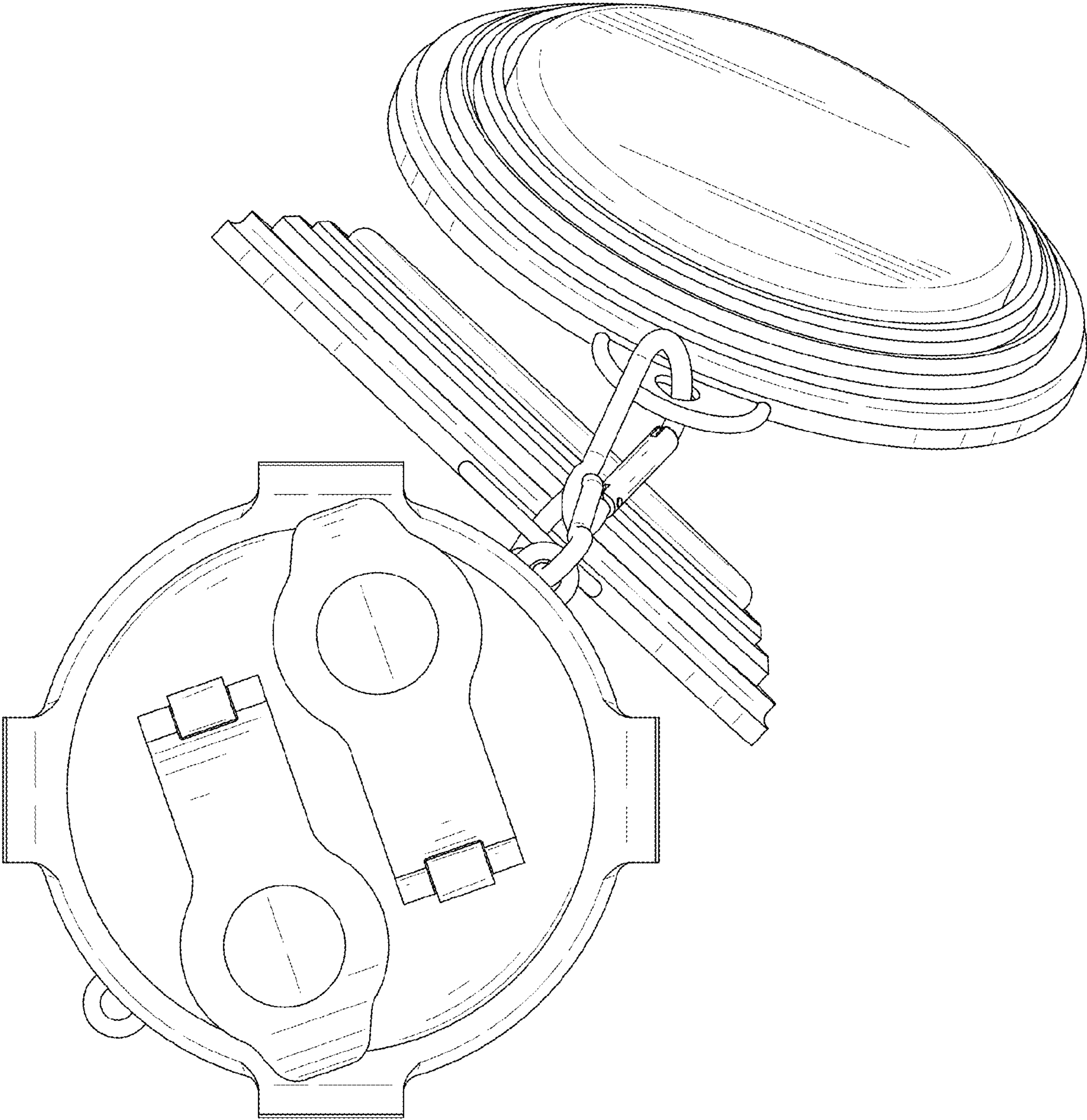


FIG. 7

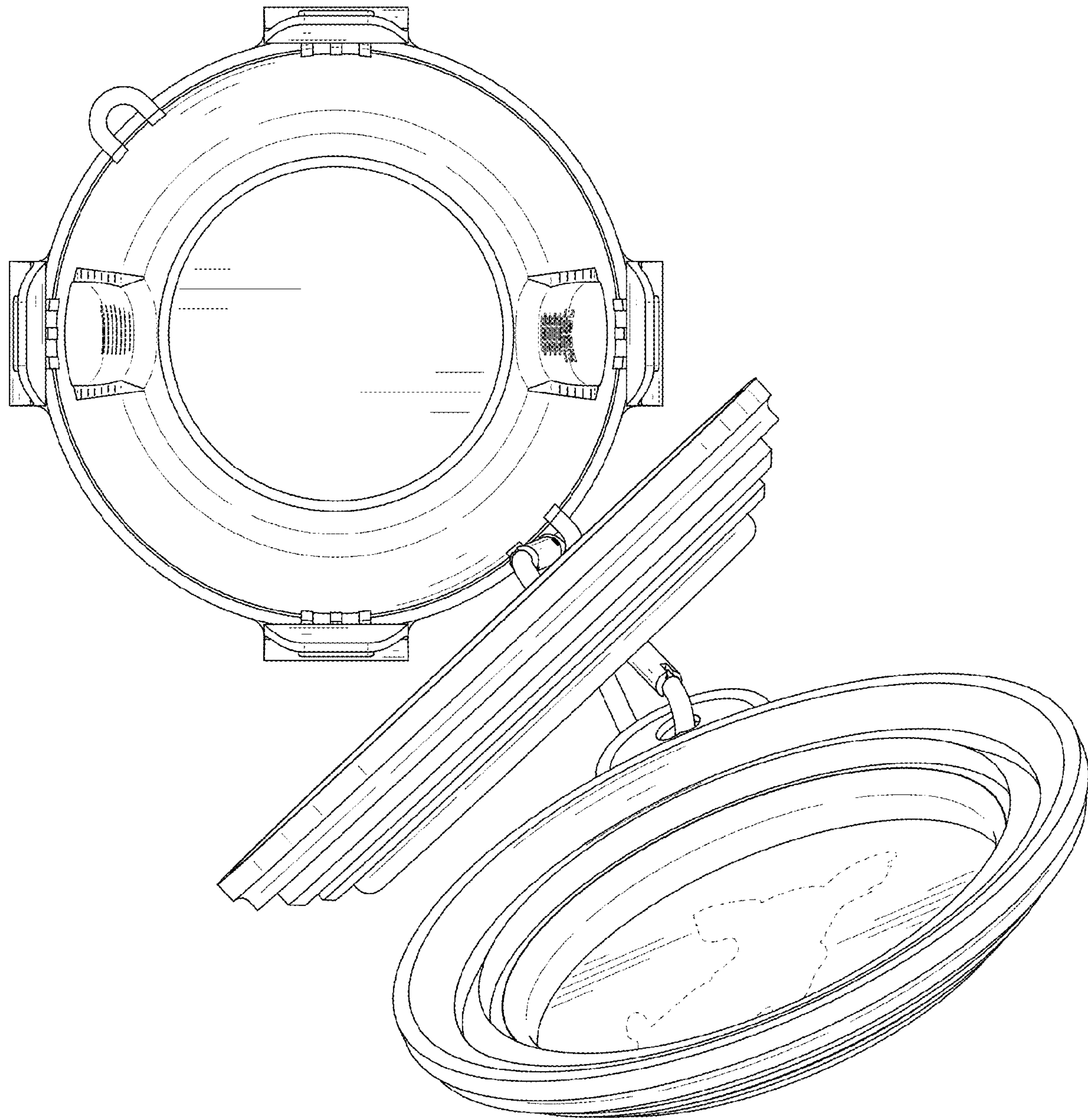


FIG. 8



FIG. 9

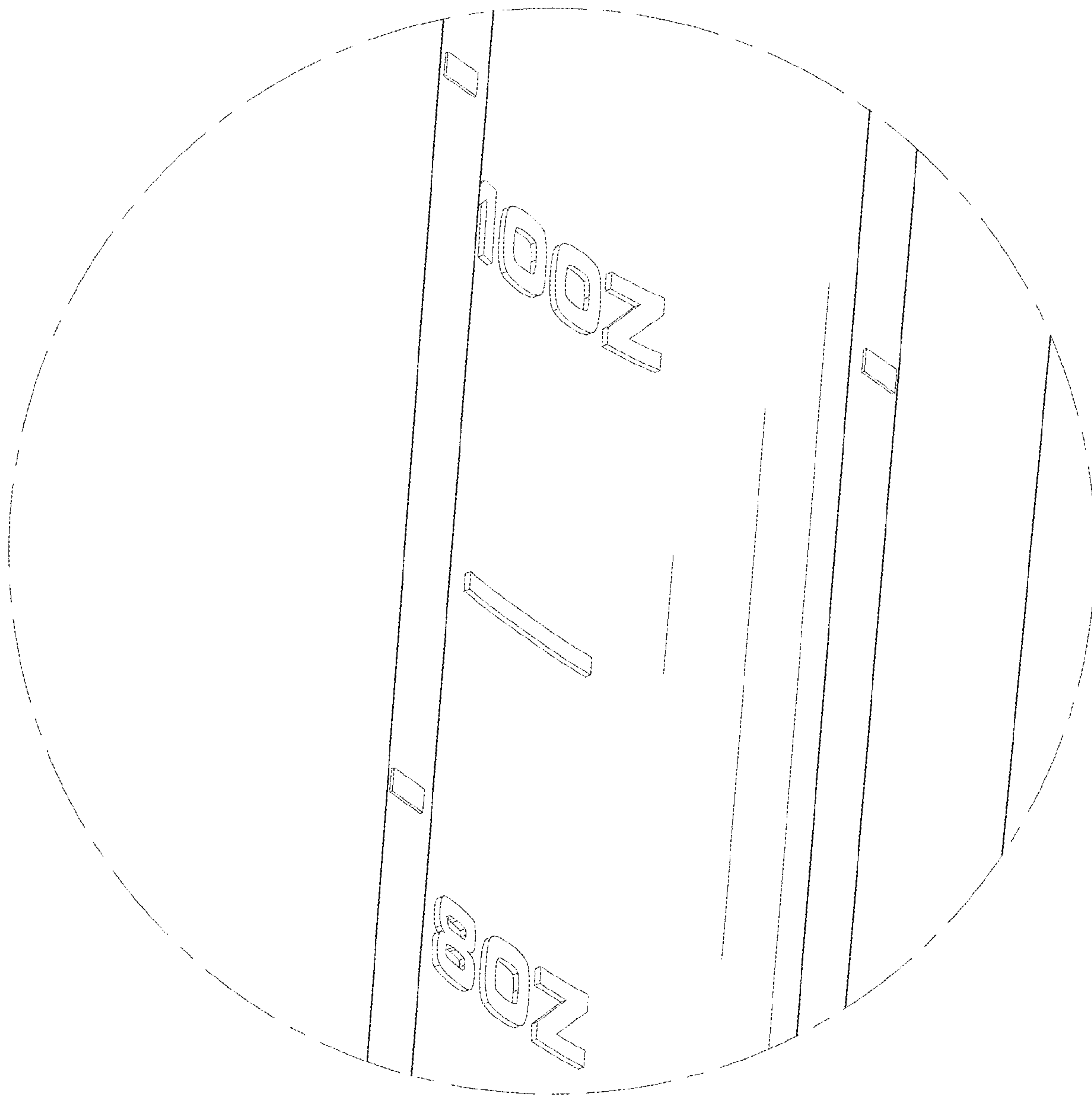


FIG. 10