



US00D933305S

(12) **United States Design Patent** (10) **Patent No.:** **US D933,305 S**  
**Filarovsky** (45) **Date of Patent:** **\*\* Oct. 12, 2021**

(54) **SIGNAL LAMP**

D692,620 S \* 10/2013 Gendron ..... D29/122  
D741,023 S \* 10/2015 O'Dell ..... D29/122  
D766,521 S \* 9/2016 Hanudel ..... D29/122  
D855,258 S \* 7/2019 O'Connell ..... D29/122  
D893,105 S \* 8/2020 Amoriello ..... D29/107

(71) Applicant: **Vipland Holdings OÜ**, Harju Maakond (EE)

(72) Inventor: **Yan Filarovsky**, Moscow (RU)

\* cited by examiner

(\*\*) Term: **15 Years**

*Primary Examiner* — Michael A. Pratt

(21) Appl. No.: **35/509,806**

(22) Filed: **Jun. 8, 2020**

(57) **CLAIM**

(80) **Hague Agreement Data**

Int. Filing Date: **Jun. 8, 2020**  
Int. Reg. No.: **DM/209038**  
Int. Reg. Date: **Jun. 8, 2020**  
Int. Reg. Pub. Date: **Jul. 17, 2020**

The ornamental design for a signal lamp, as shown and described.

(51) **LOC (13) Cl.** ..... **02-03**

(52) **U.S. Cl.**  
USPC ..... **D29/103; D29/122**

(58) **Field of Classification Search**  
USPC ..... D29/102–103, 122; D10/114.1–114.3, D10/114.9  
CPC ..... B60Q 1/50  
See application file for complete search history.

**DESCRIPTION**

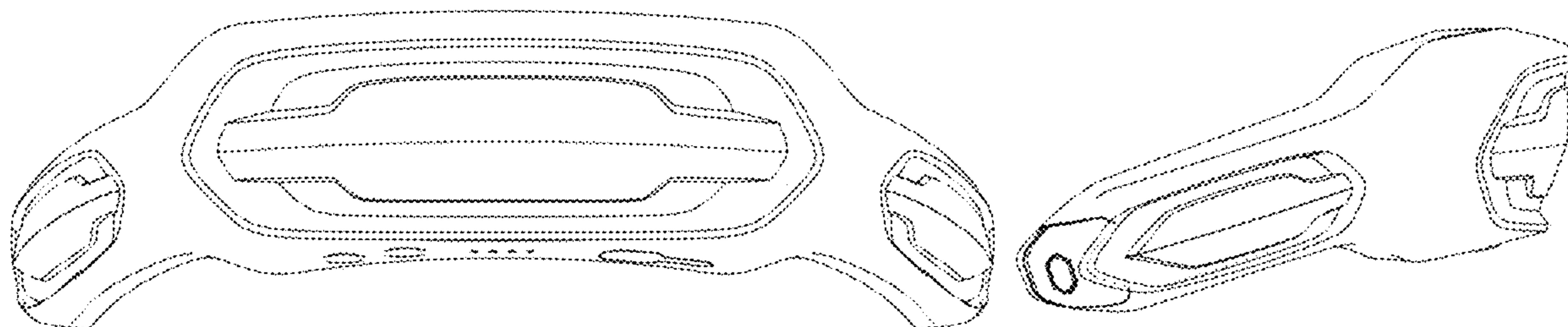
1. Signal lamp  
**1.1:** Reference view of the Front  
**1.2:** Front  
**1.3:** Left  
**1.4:** Right  
**1.5:** Bottom  
**1.6:** Top  
**1.7:** Reference view of the Right  
The broken line showing of a driver's helmet is for the purpose of illustrating environment and forms no part of the claimed design.  
Signal lamp attached to a driver's helmet.

(56) **References Cited**

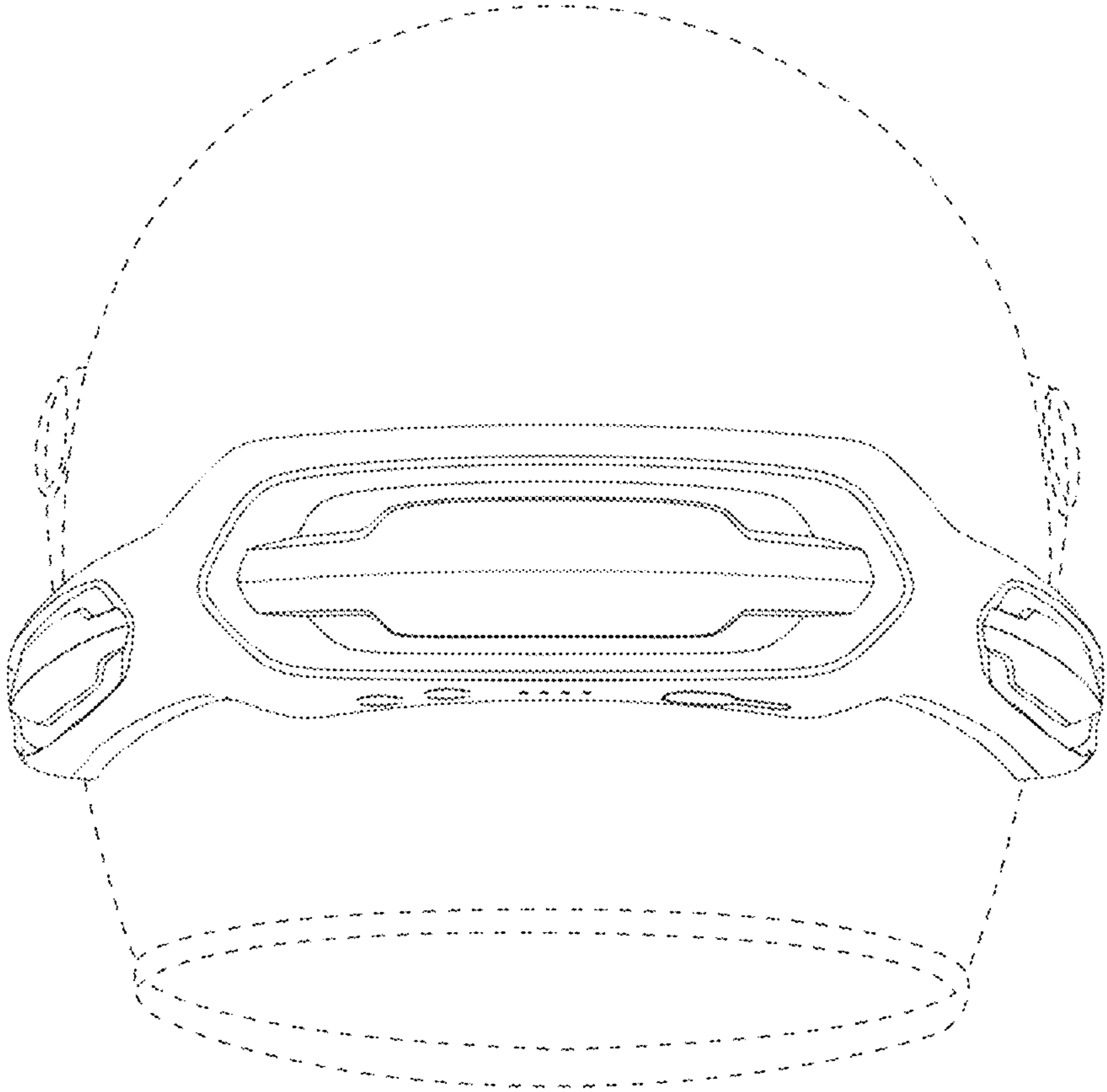
U.S. PATENT DOCUMENTS

D571,507 S \* 6/2008 Murakami ..... D29/107  
D624,247 S \* 9/2010 Thind ..... D29/122

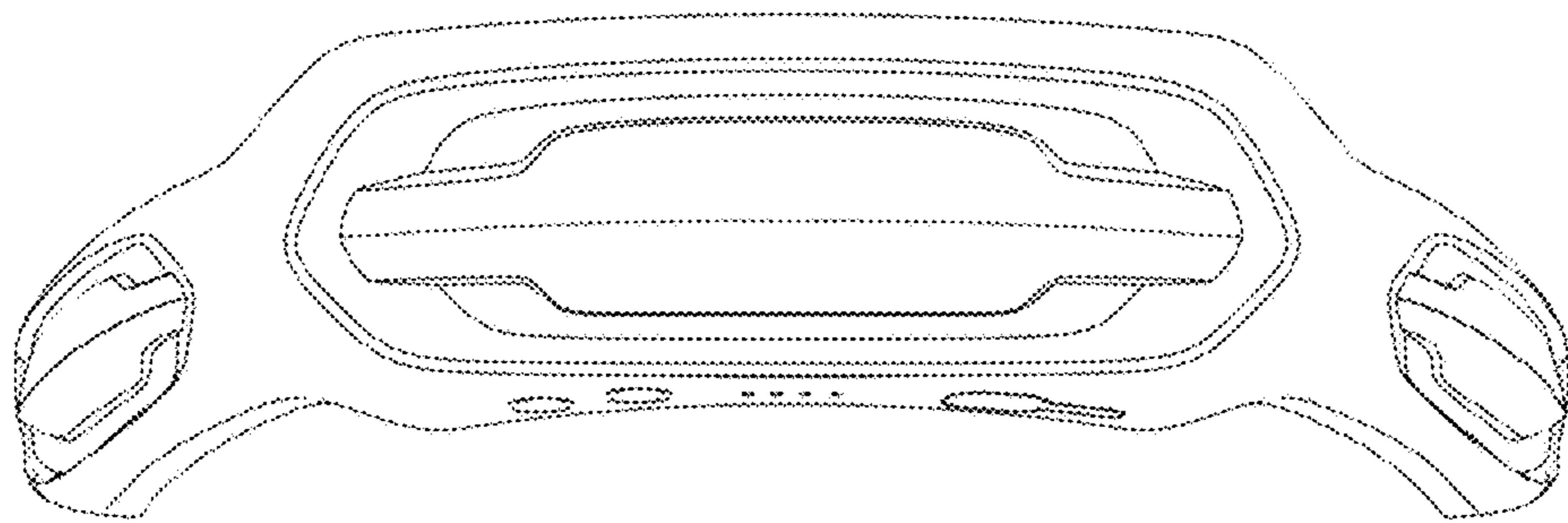
**1 Claim, 7 Drawing Sheets**



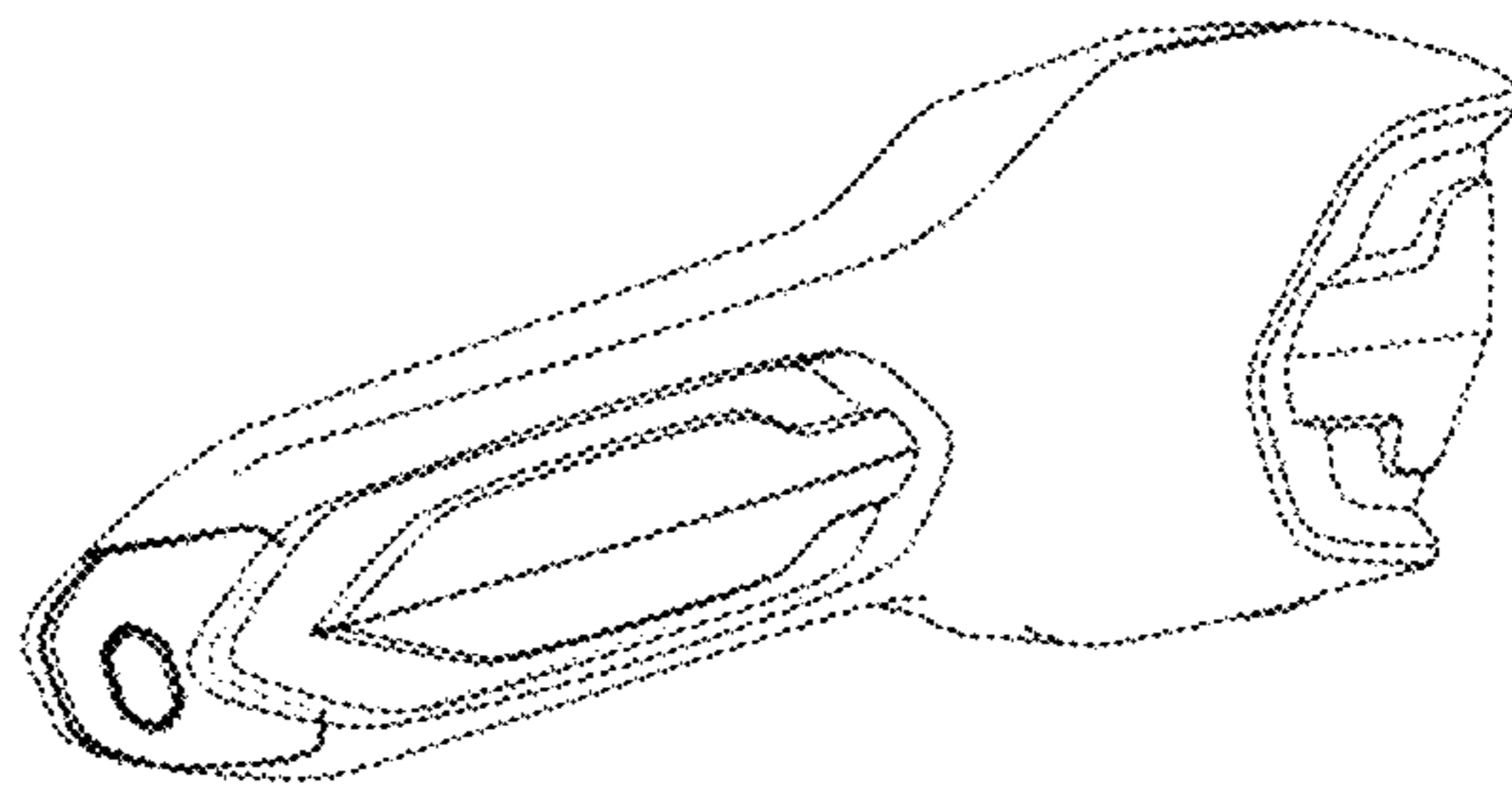
1.1



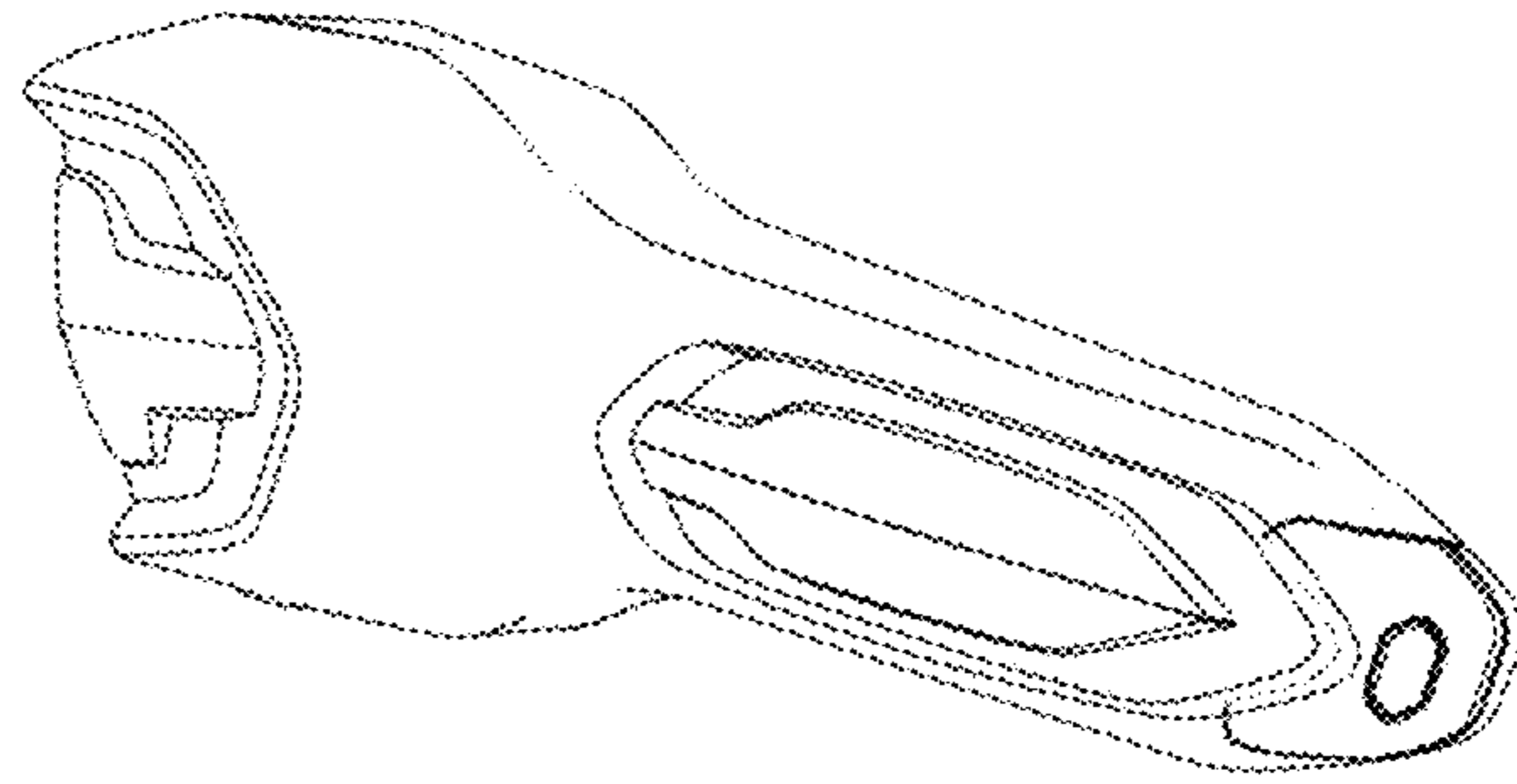
1.2



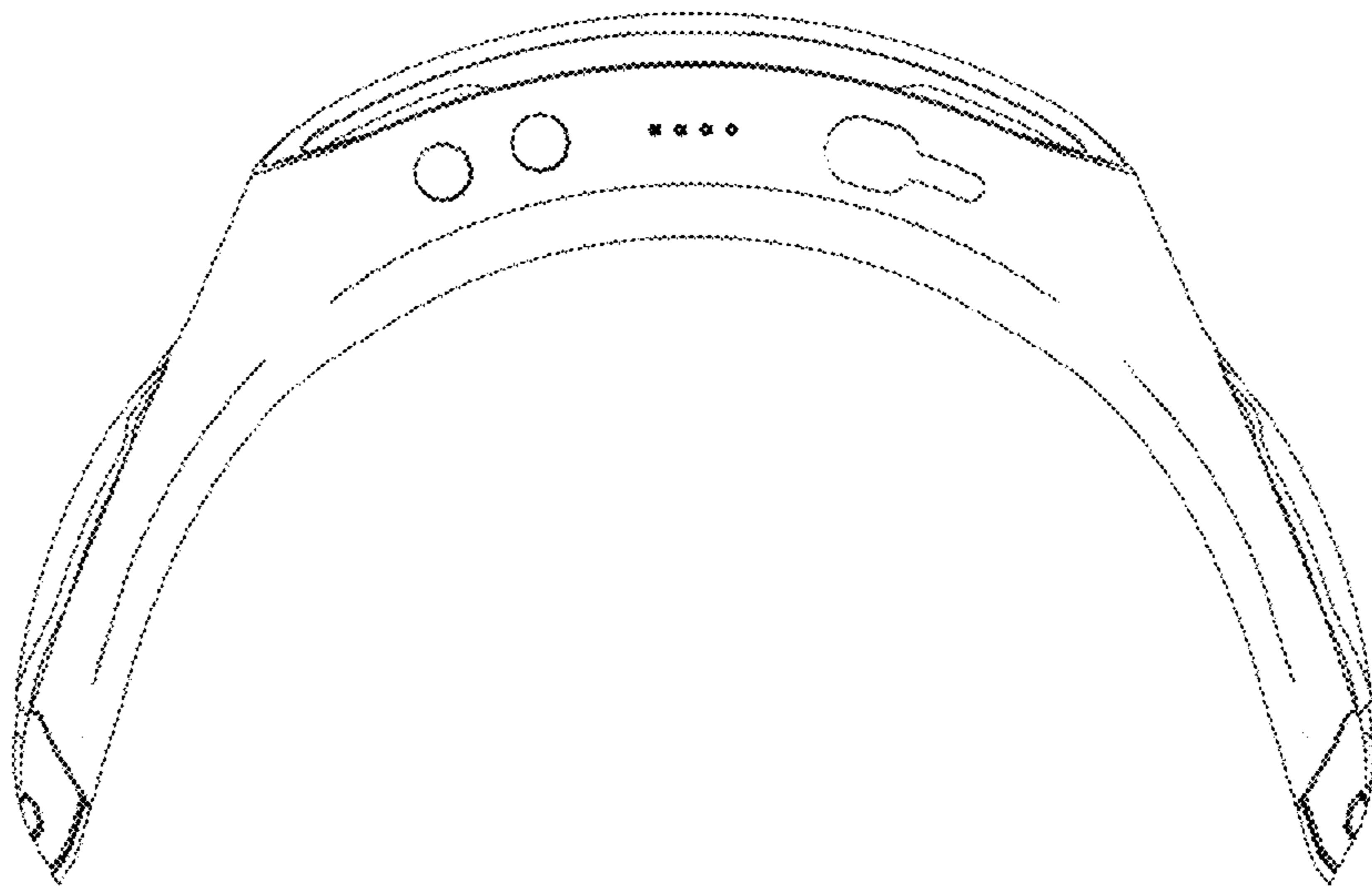
1.3



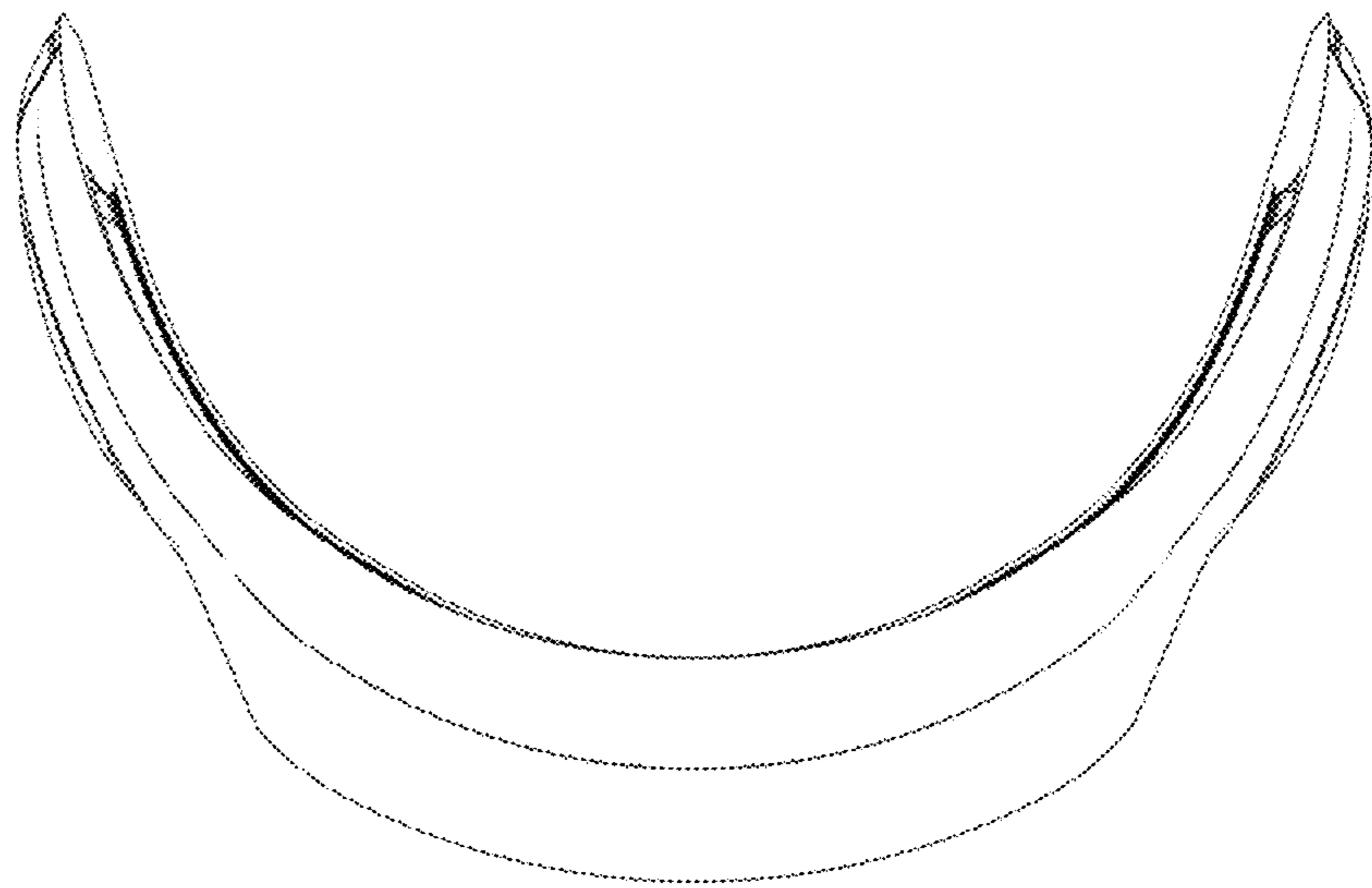
1.4



1.5



1.6



1.7

