



US00D933301S

(12) **United States Design Patent** (10) **Patent No.:** **US D933,301 S**
Lee (45) **Date of Patent:** **** Oct. 12, 2021**

(54) **COMPACT CONTAINER**

(71) Applicant: **PUM-TECH KOREA CO., LTD,**
Incheon (KR)

(72) Inventor: **Do Hoon Lee,** Incheon (KR)

(73) Assignee: **PUM-TECH KOREA CO., LTD,**
Incheon (KR)

(**) Term: **15 Years**

(21) Appl. No.: **29/748,462**

(22) Filed: **Aug. 28, 2020**

(30) **Foreign Application Priority Data**

Feb. 28, 2020 (KR) 30-2020-0009056

(51) **LOC (13) Cl.** **28-03**

(52) **U.S. Cl.**
USPC **D28/82**

(58) **Field of Classification Search**
USPC D28/55, 64.1, 64.3, 73, 76, 78-82, 93,
D28/99; D9/601, 630, 715, 737, 756,
D9/529, 563, 574, 414, 420, 430, 432,
D9/499, 504

CPC A41G 5/02; A45D 26/00; A45D 26/0066;
A45D 33/00; A45D 33/003; A45D
33/006; A45D 33/008; A45D 33/16;
A45D 33/18; A45D 33/22; A45D 33/24;
A45D 33/26; A45D 34/00; A45D 34/02;
A45D 40/00

See application file for complete search history.

(56) **References Cited**

U.S. PATENT DOCUMENTS

D626,289 S * 10/2010 Lee D28/82
8,881,946 B2 * 11/2014 Lee A45D 33/02
222/96

D738,572 S * 9/2015 Kalyanpur D28/82
D898,294 S * 10/2020 Kikuchi D28/82
D898,295 S * 10/2020 Kikuchi D28/82
2016/0353857 A1 * 12/2016 Kim A45D 33/008
2017/0172284 A1 * 6/2017 Delia A45D 42/02
2018/0002070 A1 * 1/2018 Lee B65D 25/54
2019/0098985 A1 * 4/2019 Byeon B65D 83/0044
2019/0365074 A1 * 12/2019 Kikuchi A45D 33/003
2019/0365076 A1 * 12/2019 Ducastin A45D 33/24
2020/0008556 A1 * 1/2020 Kim A61Q 1/12
2020/0205544 A1 * 7/2020 Kim A45D 34/04
2020/0323328 A1 * 10/2020 Kim A45D 40/00
2021/0022474 A1 * 1/2021 Cho A45D 33/24
2021/0169198 A1 * 6/2021 Moretti A45D 33/008

* cited by examiner

Primary Examiner — Jennifer Rivard

Assistant Examiner — Alison M Ofstun

(74) *Attorney, Agent, or Firm* — Heedong Chae; Lucem,
PC

(57) **CLAIM**

The ornamental design for a compact container, as shown
and described.

DESCRIPTION

FIG. 1 is a perspective view of the compact container
showing my new design;
FIG. 2 is a front elevational view thereof;
FIG. 3 is a rear elevational view thereof;
FIG. 4 is a left side view thereof;
FIG. 5 is a right side view thereof;
FIG. 6 is a top plan view thereof;
FIG. 7 is a bottom plan view thereof;
FIG. 8 is a rear perspective view thereof; and,
FIG. 9 is a perspective view thereof, shown in an open
position.

1 Claim, 7 Drawing Sheets

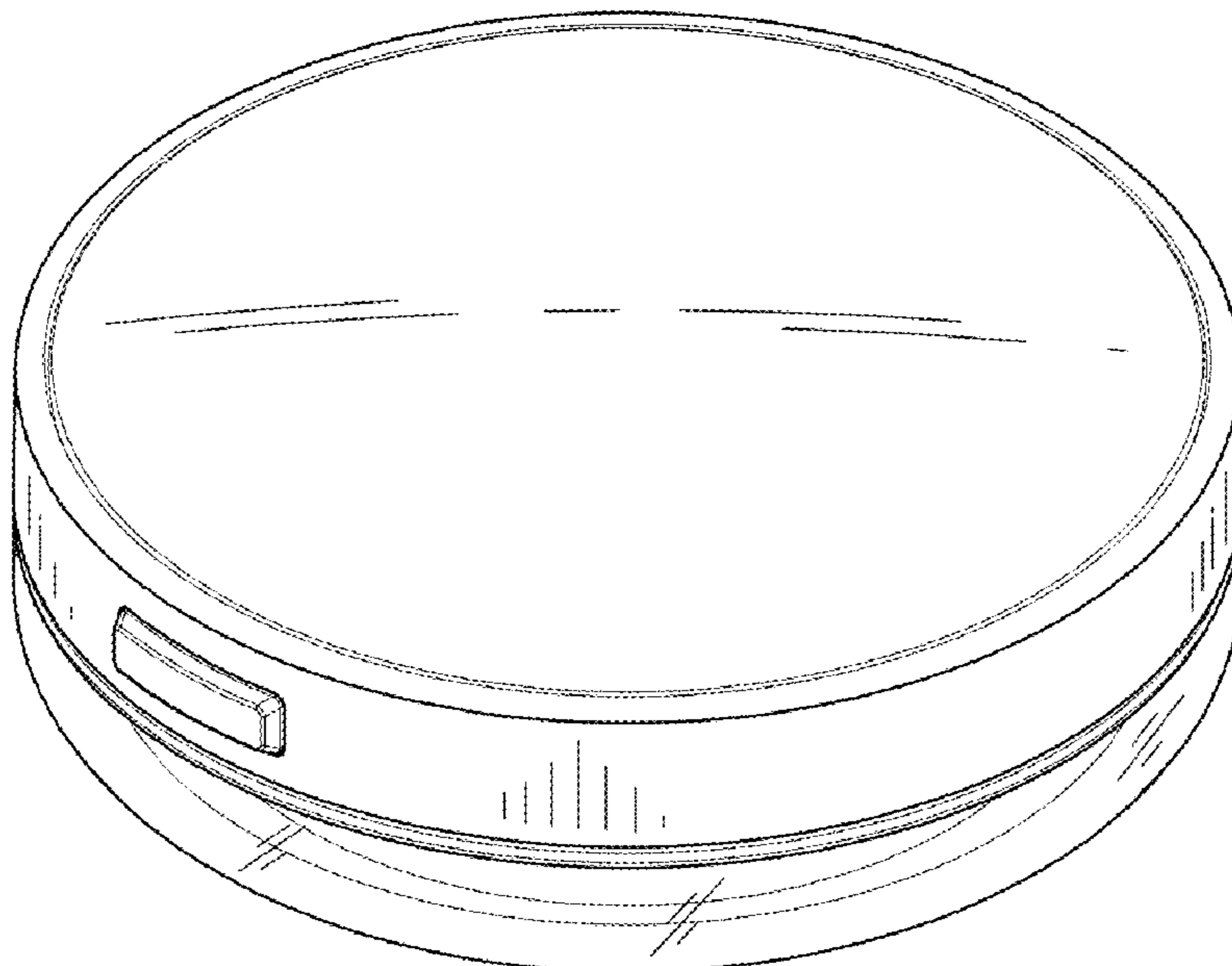


FIG. 1

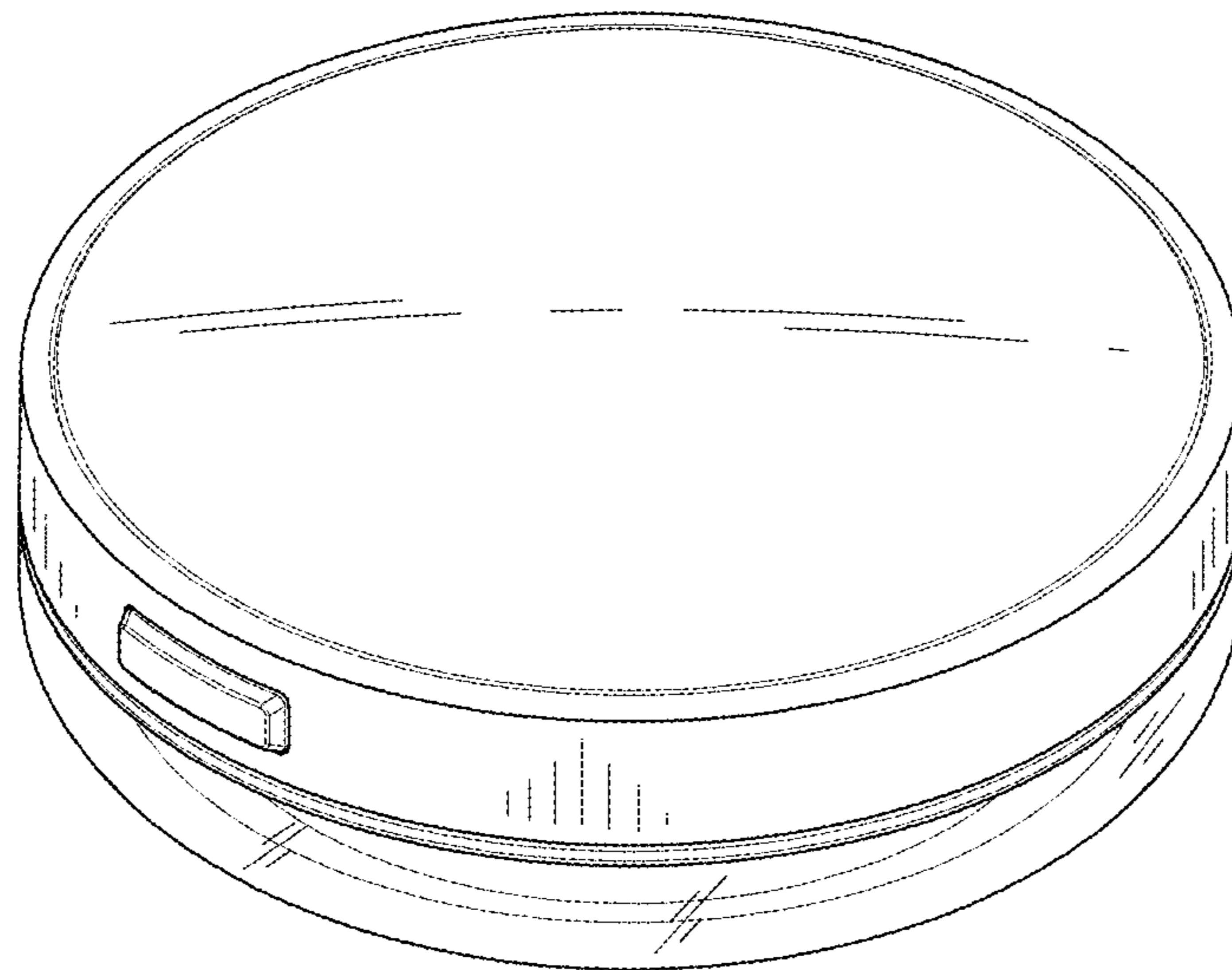


FIG. 2

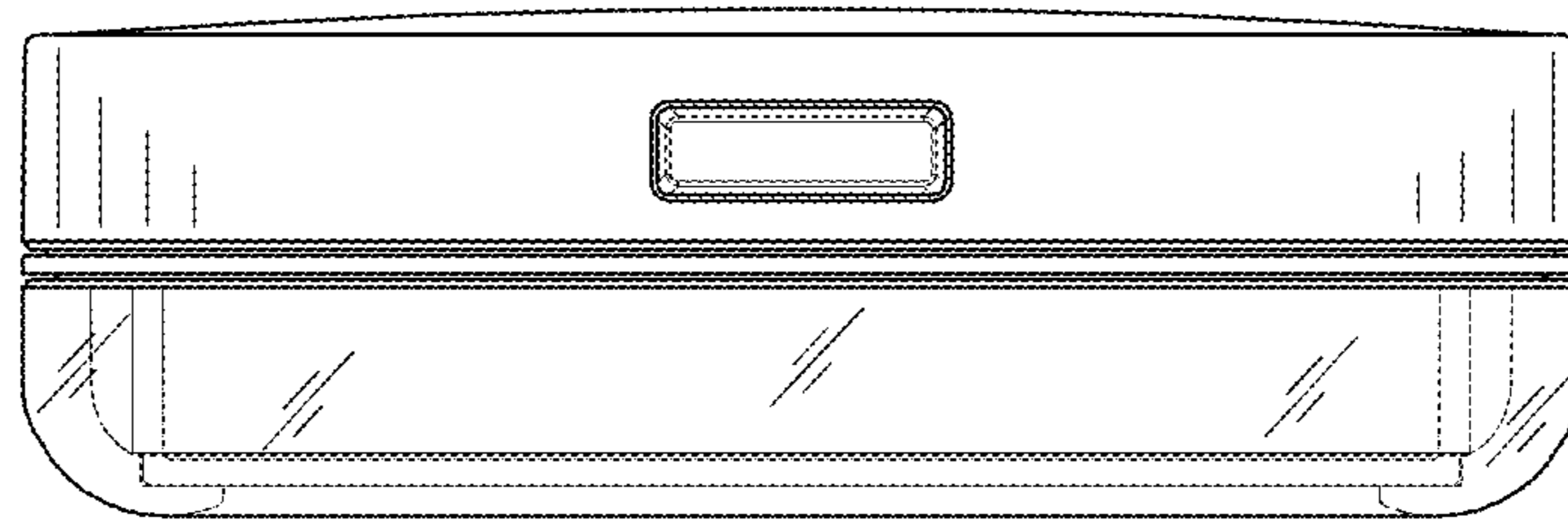


FIG. 3

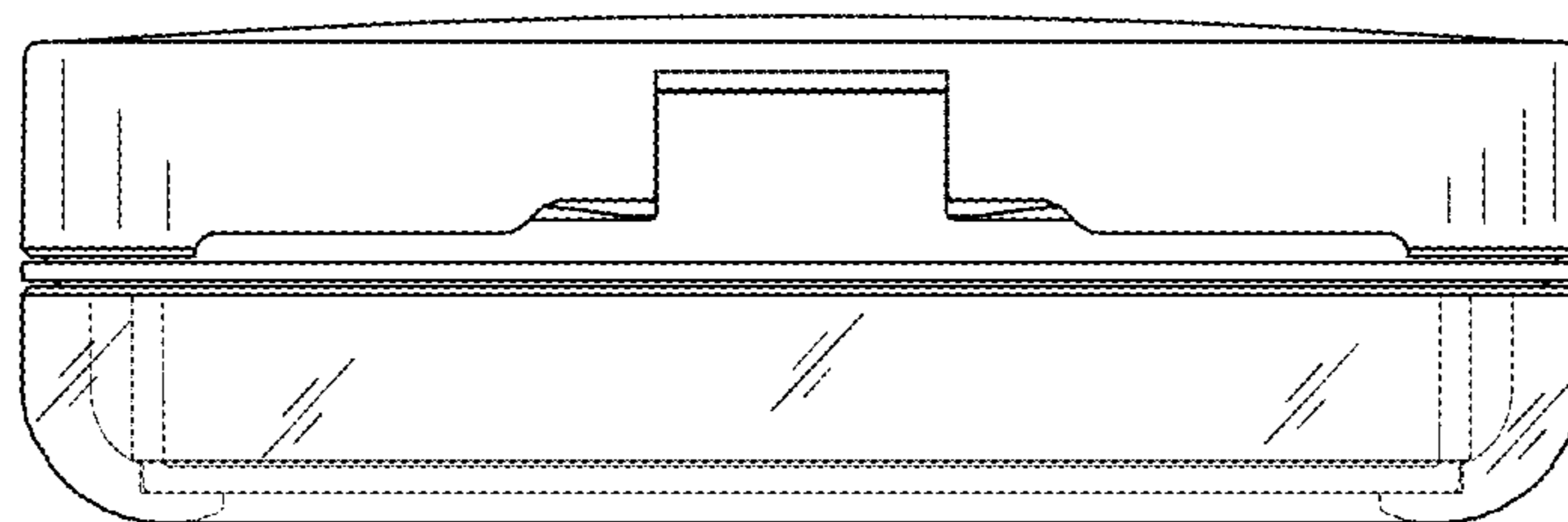


FIG. 4

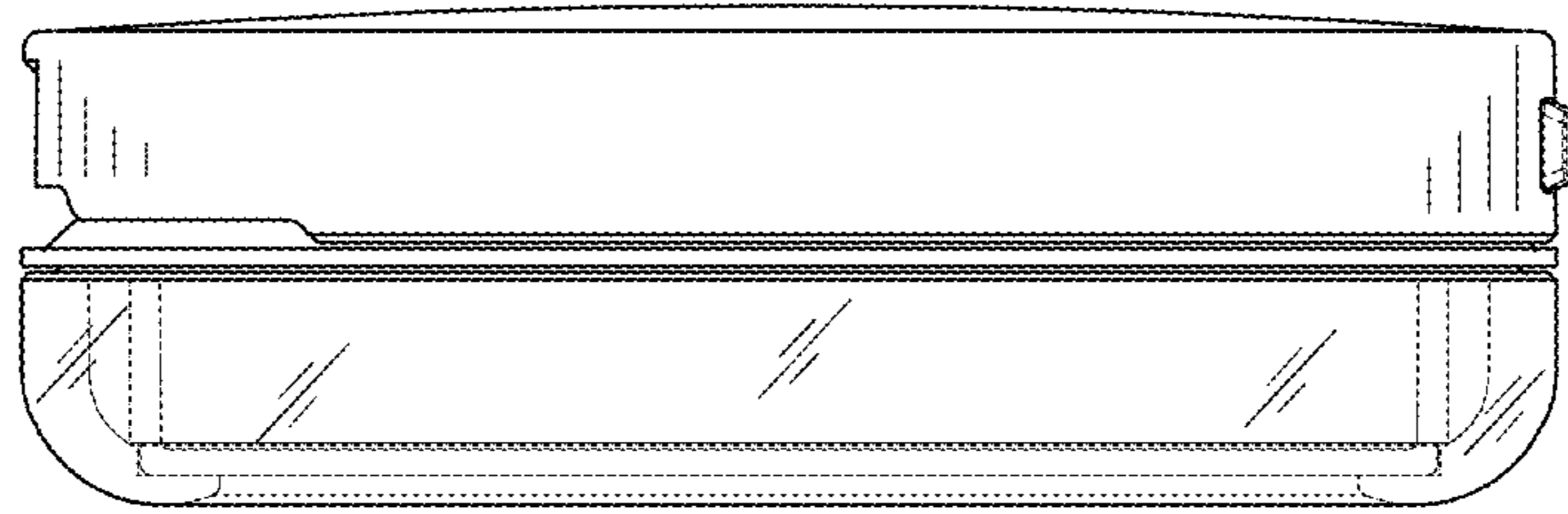


FIG. 5

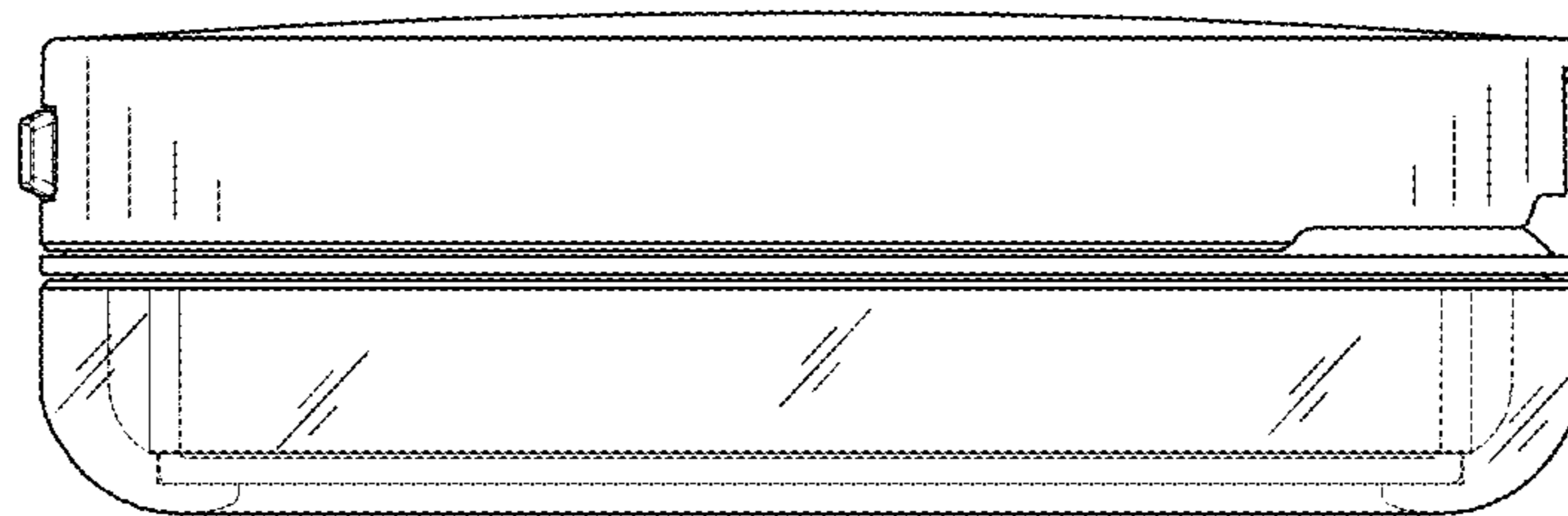


FIG. 6

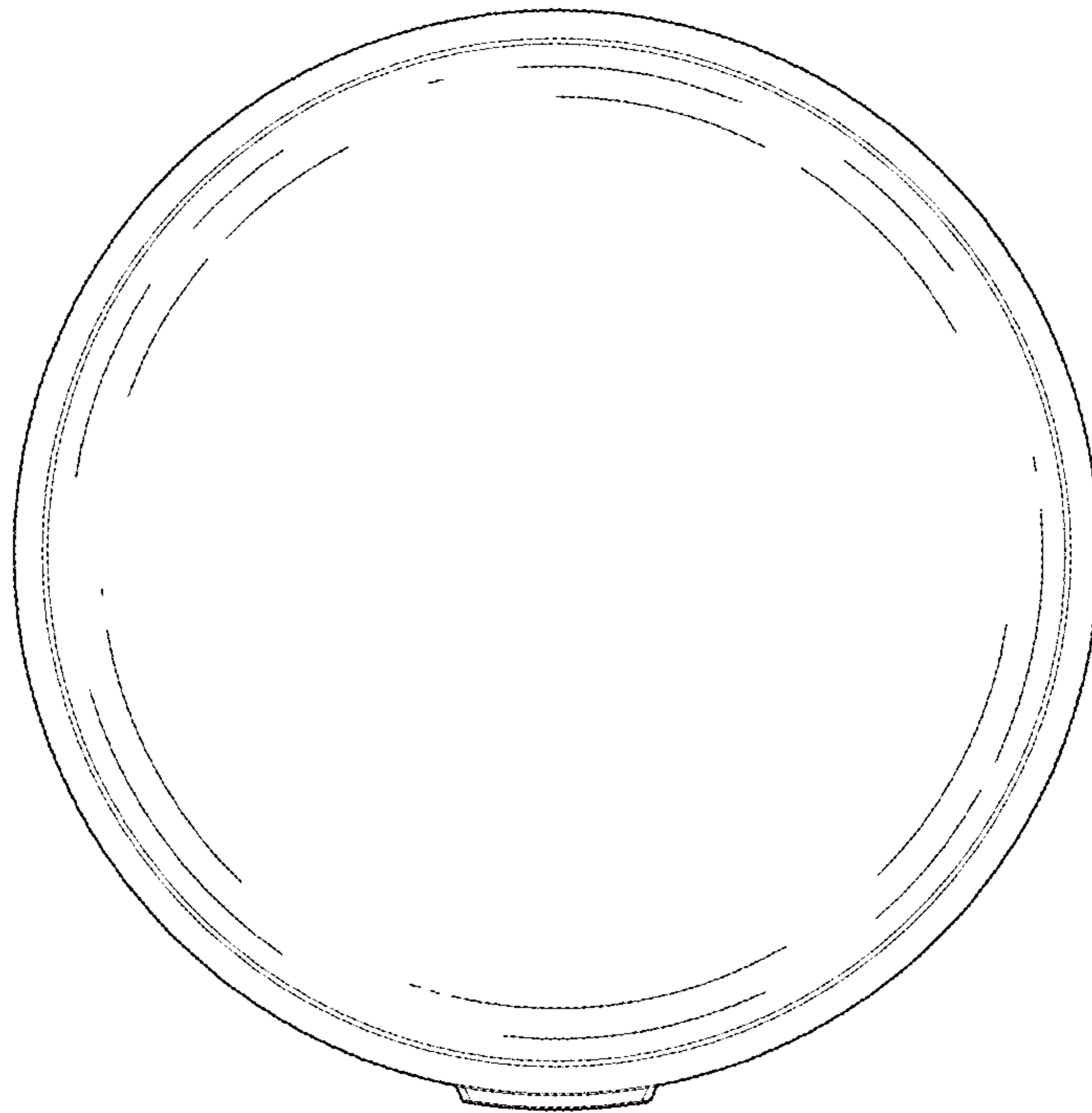


FIG. 7

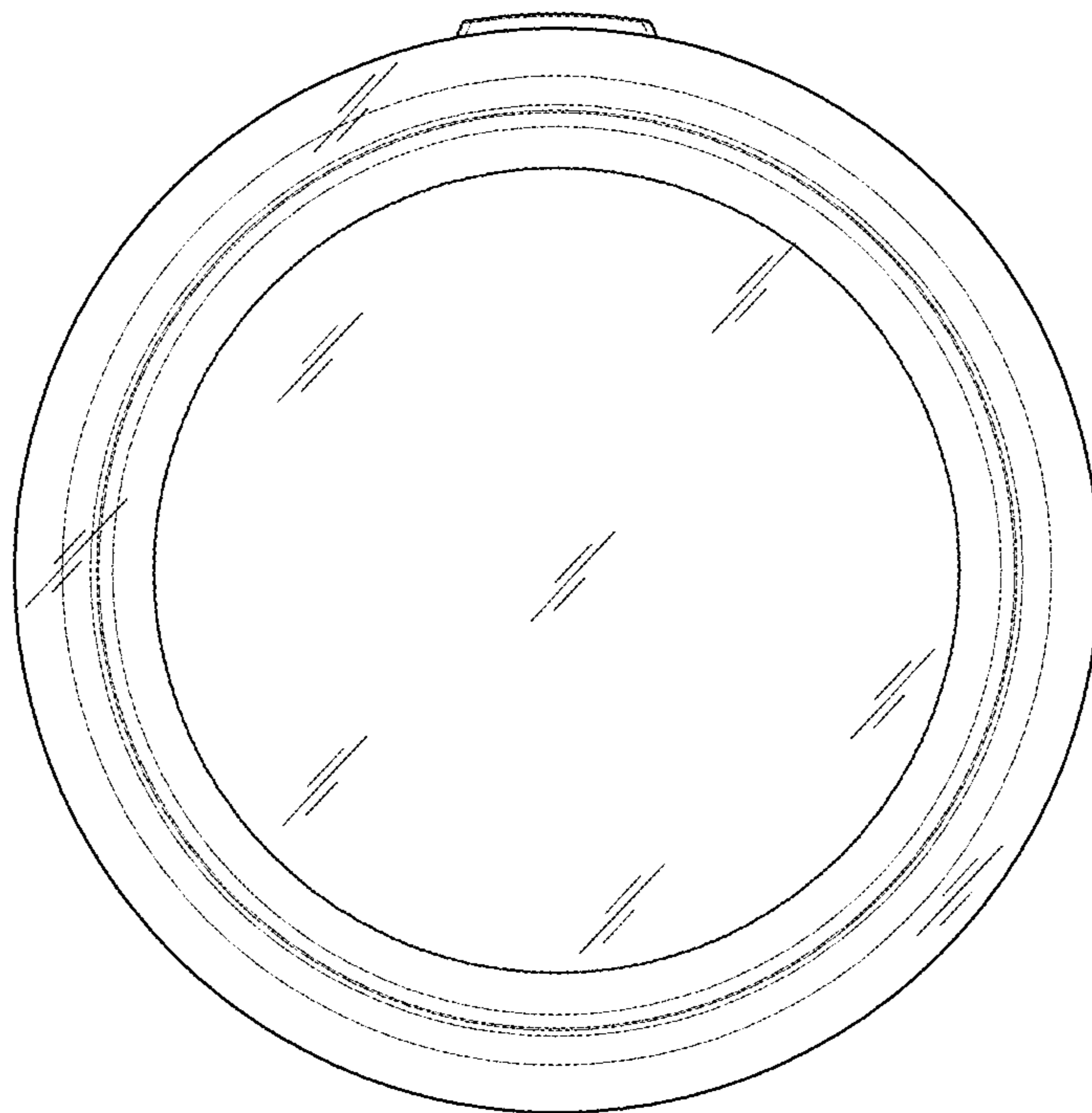


FIG. 8

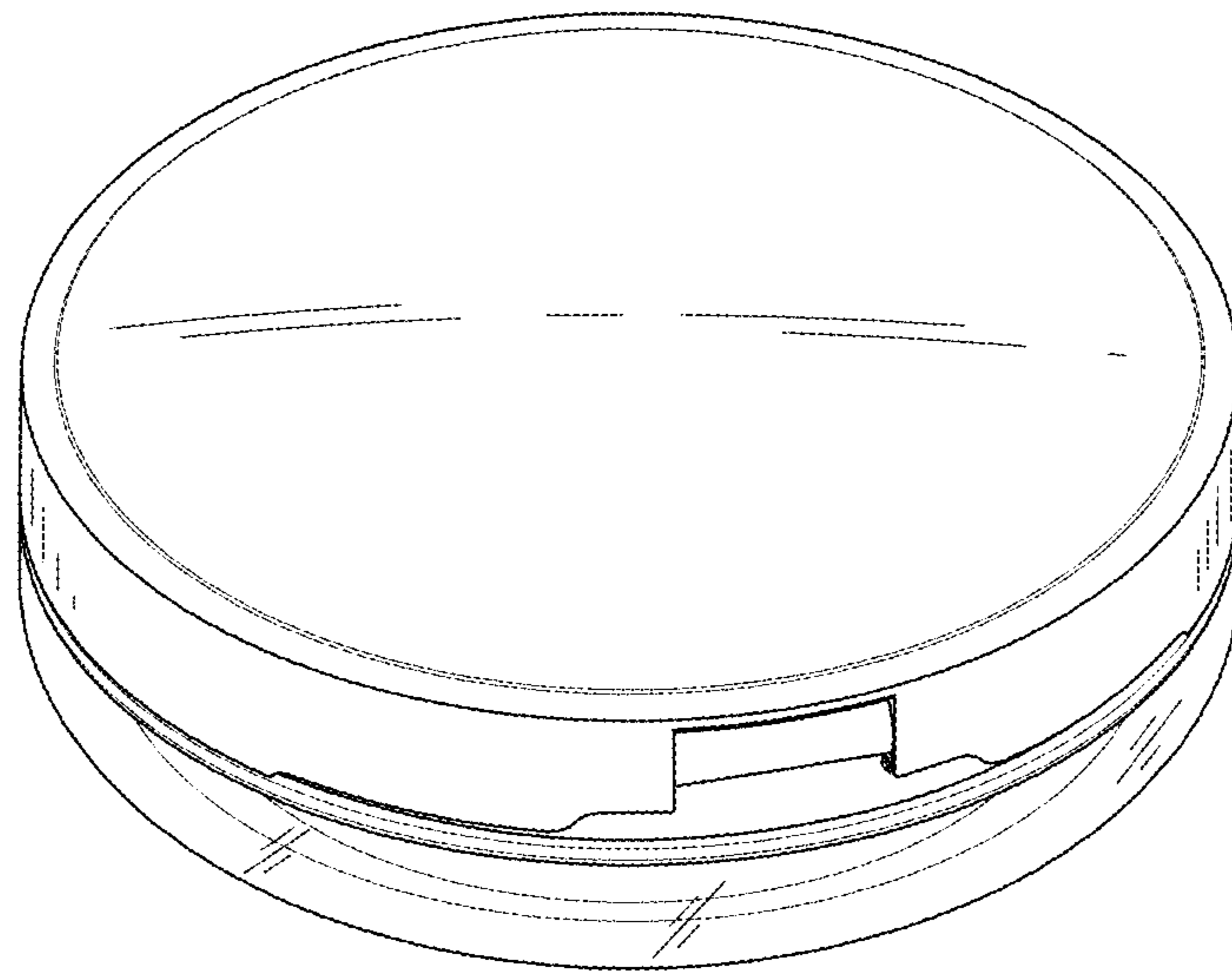


FIG. 9

