



US00D933299S

(12) **United States Design Patent** (10) **Patent No.:** **US D933,299 S**
Fu (45) **Date of Patent:** **** Oct. 12, 2021**

(54) **NAIL DRILL**

(71) Applicant: **Jianlong Fu**, Guangzhou (CN)

(72) Inventor: **Jianlong Fu**, Guangzhou (CN)

(**) Term: **15 Years**

(21) Appl. No.: **29/752,383**

(22) Filed: **Sep. 27, 2020**

(51) **LOC (13) Cl.** **28-03**

(52) **U.S. Cl.**
USPC **D28/58**

(58) **Field of Classification Search**
USPC D28/58-59
CPC A45D 29/007; A45D 29/05; A45D 29/14;
A45D 29/06
See application file for complete search history.

(56) **References Cited**

U.S. PATENT DOCUMENTS

D207,147 S *	3/1967	Daher	D28/58
D266,607 S *	10/1982	Choe	D28/58
D397,517 S *	8/1998	Choyee	D28/59
D405,232 S *	2/1999	Stevens	D28/58
D511,401 S *	11/2005	Park	D28/58
D538,936 S *	3/2007	Bohmel	D24/133
D889,426 S	7/2020	Fu	
D895,210 S *	9/2020	Wu	D28/58
D903,197 S *	11/2020	Du	D28/58
D909,681 S *	2/2021	Lu	D28/57

D921,296 S *	6/2021	Duong	D28/58
D925,126 S *	7/2021	Li	D28/58
2013/0092182 A1 *	4/2013	Stockbauer	A61B 17/54 132/75.8
2015/0150353 A1 *	6/2015	Yiu	A45D 29/14 132/75.6

* cited by examiner

Primary Examiner — Jennifer Rivard

(57) **CLAIM**

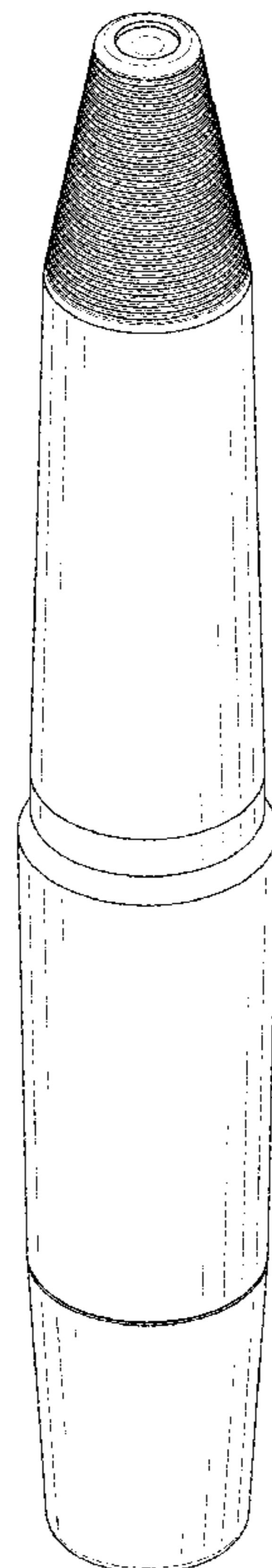
The ornamental design for a nail drill, as shown and described.

DESCRIPTION

FIG. 1 is a front and top perspective view of a nail drill, showing my new design;
FIG. 2 is a rear and bottom perspective view thereof;
FIG. 3 is a front elevational view thereof;
FIG. 4 is a rear elevational view thereof;
FIG. 5 is a left side elevational view thereof;
FIG. 6 is a right side elevational view thereof;
FIG. 7 is a top plan view thereof;
FIG. 8 is a bottom plan view thereof; and,
FIG. 9 is an enlarged view of a portion labeled, 'FIG. 9' in FIG. 3.

The dash dot dash lines in FIGS. 3 and 9 are for the purpose of depicting the cut line of the enlarged view and form no part of the claim. The dashed broken lines in the figures illustrate portions of the article that form no part of the claimed design.

1 Claim, 9 Drawing Sheets



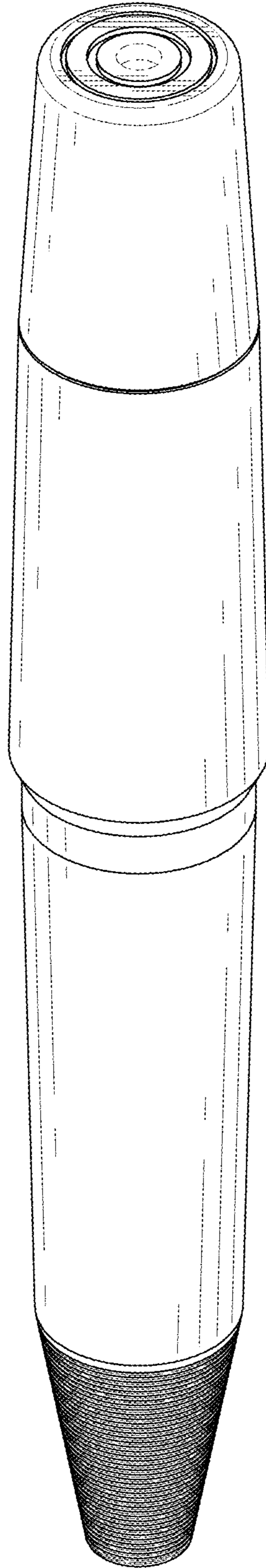


FIG. 1

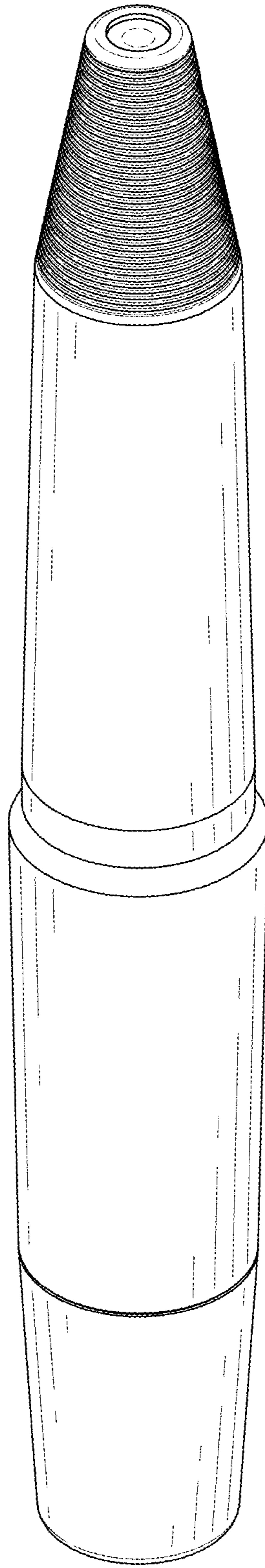


FIG. 2

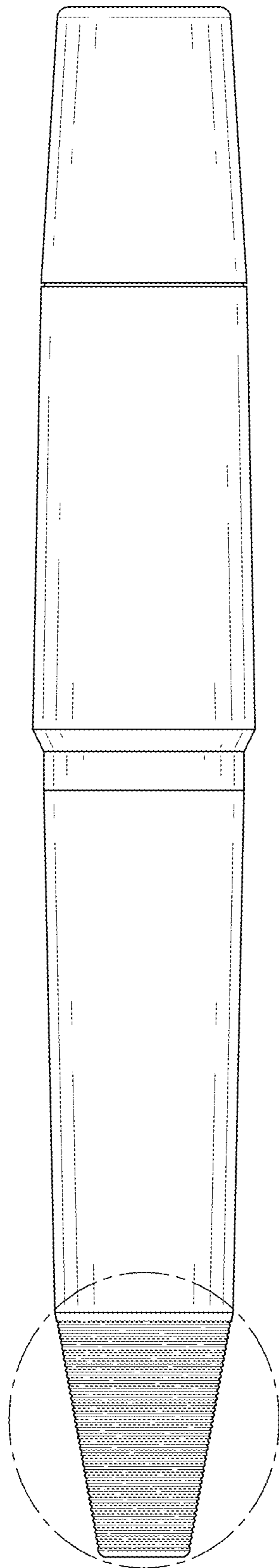


FIG. 9

FIG. 3

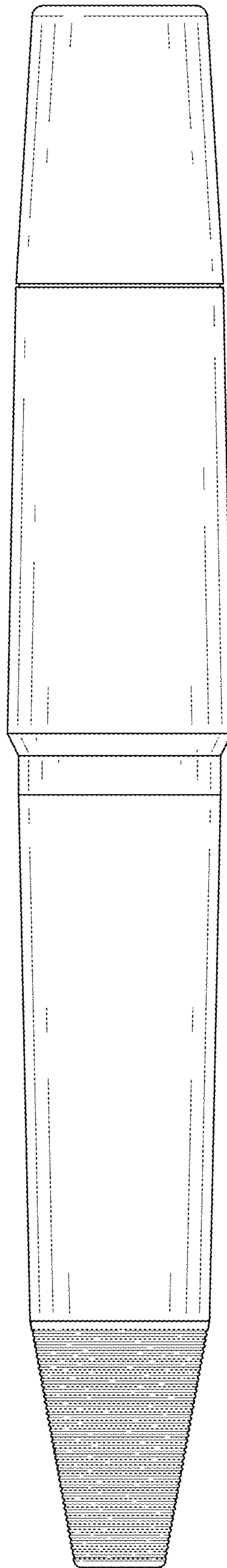


FIG. 4

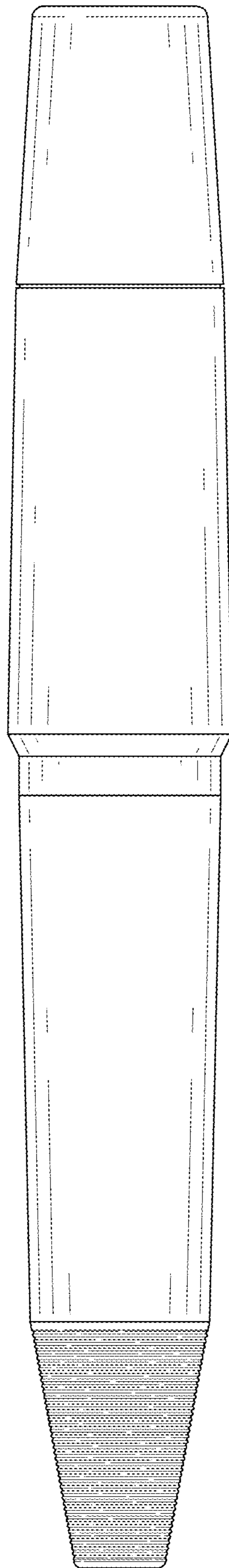


FIG. 5

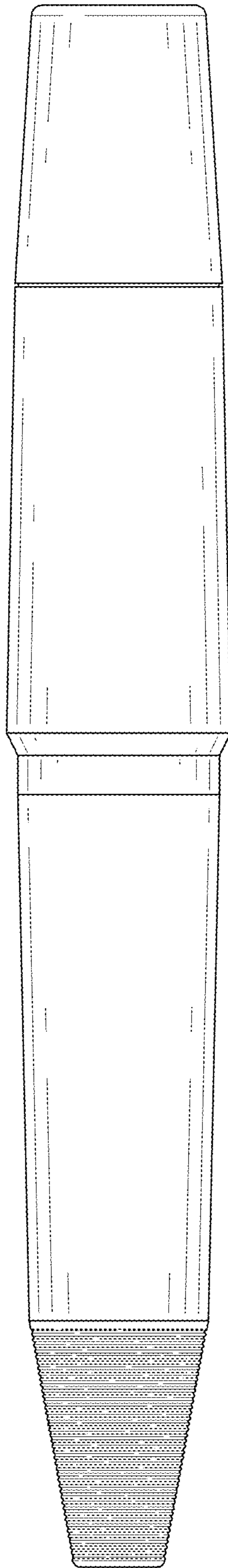


FIG. 6

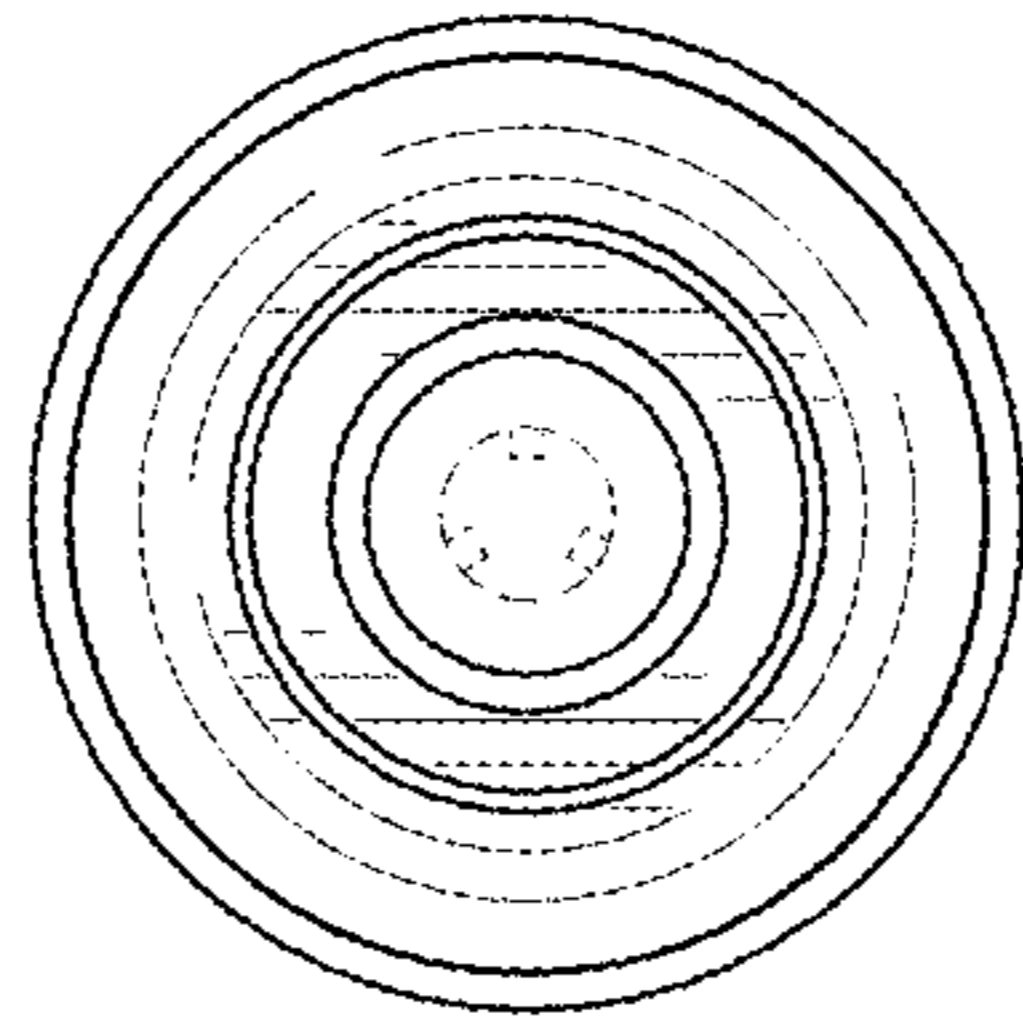


FIG. 7

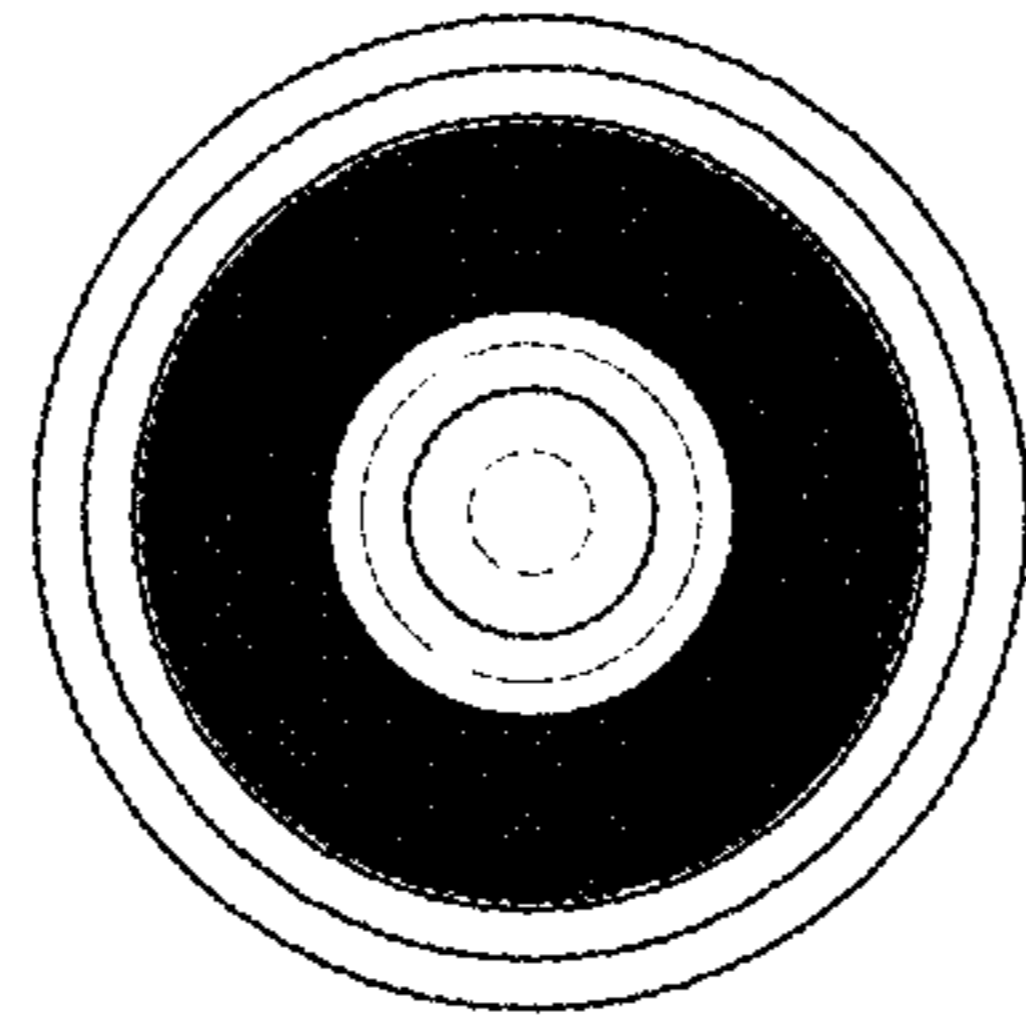


FIG. 8

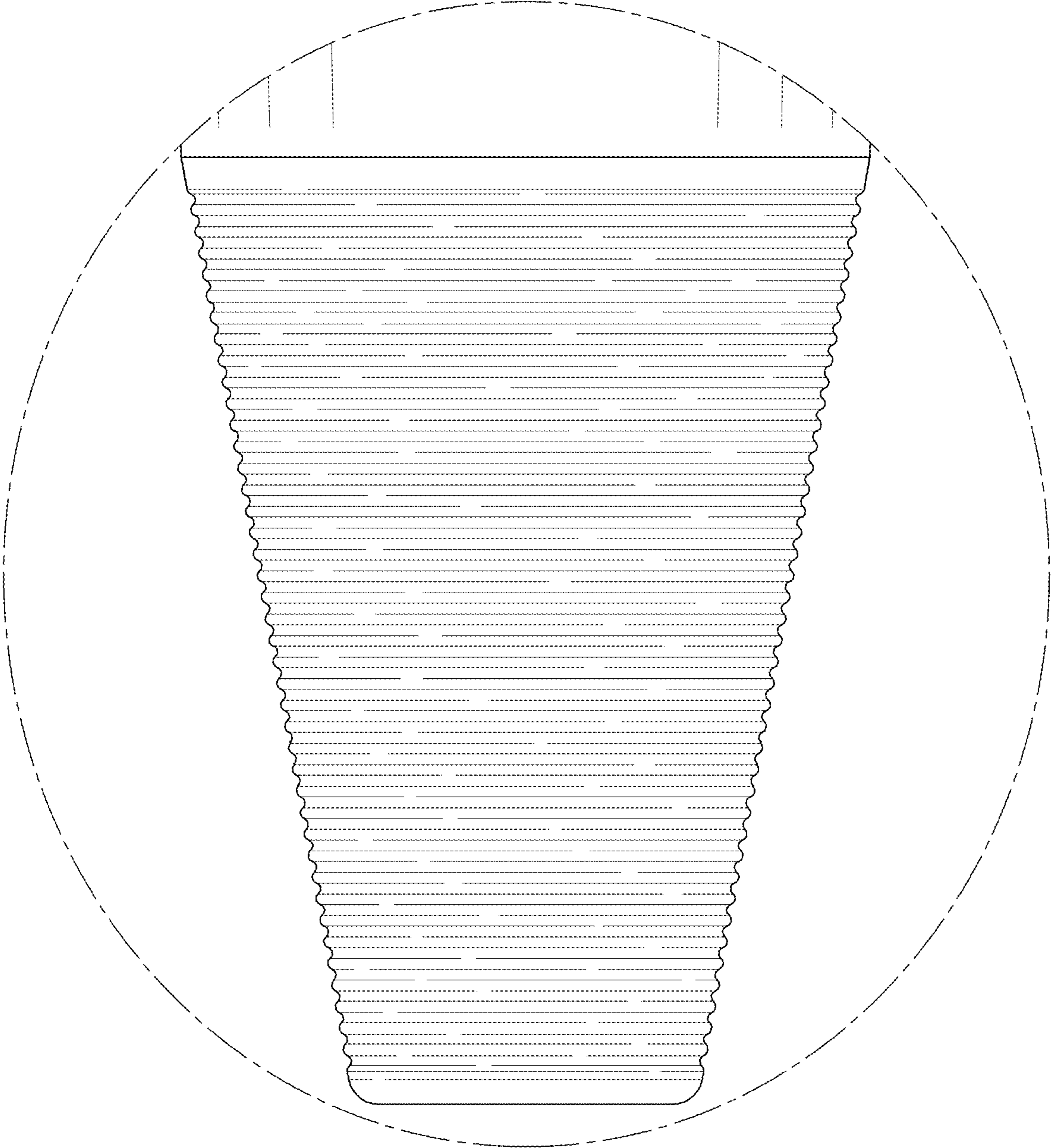


FIG. 9