



US00D933298S

(12) **United States Design Patent** (10) **Patent No.:** **US D933,298 S**
Parambathkandi Abdulhakkim et al. (45) **Date of Patent:** **** Oct. 12, 2021**

(54) **SHAVER HEAD**

(71) Applicant: **KONINKLIJKE PHILIPS N.V.**,
Eindhoven (NL)
(72) Inventors: **Roshan Ali Hakkim Parambathkandi**
Abdulhakkim, Utrecht (NL); **Roeland**
Gerard Krooshof, Bilthoven (NL)

(73) Assignee: **KONINKLIJKE PHILIPS N.V.**,
Eindhoven (NL)

(**) Term: **15 Years**

(21) Appl. No.: **29/706,334**

(22) Filed: **Sep. 19, 2019**

(30) **Foreign Application Priority Data**

Mar. 21, 2019 (EM) 006317418-0037

(51) **LOC (13) Cl.** **28-03**

(52) **U.S. Cl.**
USPC **D28/54; D28/50**

(58) **Field of Classification Search**
USPC D28/49-54
CPC B26B 19/14-18; B26B 19/38; B26B
19/3853-3893; B26B 19/3806-384
See application file for complete search history.

(56) **References Cited**

U.S. PATENT DOCUMENTS

D367,944 S * 3/1996 Izumi D28/50
D383,566 S * 9/1997 Bone D28/50

D389,273 S * 1/1998 Bone D28/50
D389,276 S * 1/1998 Bone D28/50
D405,922 S * 2/1999 Bone D28/50
D698,491 S * 1/2014 Ellison D28/50
D748,857 S * 2/2016 Boulanger D28/50
D758,015 S * 5/2016 Prat-Pfister D28/50
D758,659 S * 6/2016 Smith D28/50
D776,348 S * 1/2017 Frankel D28/50
D812,301 S * 3/2018 Yan D28/50
D819,274 S * 5/2018 Yan D28/50
D823,542 S * 7/2018 Yan D28/50
D824,103 S * 7/2018 Yan D28/50
D856,583 S * 8/2019 Chen D28/50
D880,064 S * 3/2020 Andersson D28/50
D912,902 S * 3/2021 Andersson D28/50

* cited by examiner

Primary Examiner — Jennifer Rivard

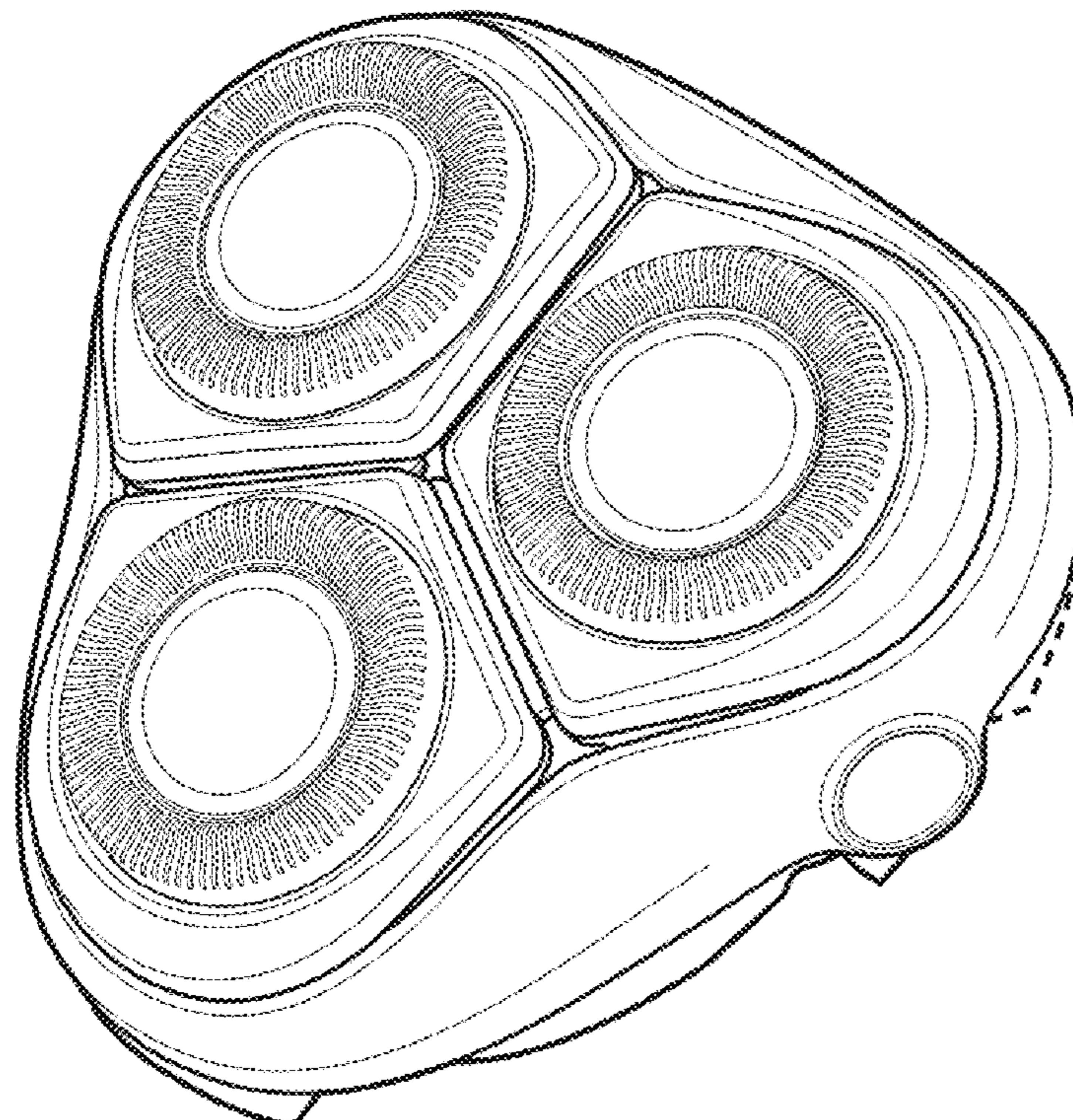
(57) **CLAIM**

The ornamental design for a shaver head, as shown and described.

DESCRIPTION

FIG. 1 is a perspective view showing our design;
FIG. 2 is a front elevational view thereof;
FIG. 3 is a rear elevational view thereof;
FIG. 4 is a right side elevational view thereof;
FIG. 5 is a left side elevational view thereof;
FIG. 6 is a top plan view thereof; and,
FIG. 7 is a bottom plan view thereof.
The broken lines illustrate portions of the shaver head that form no part of the claimed design.

1 Claim, 2 Drawing Sheets



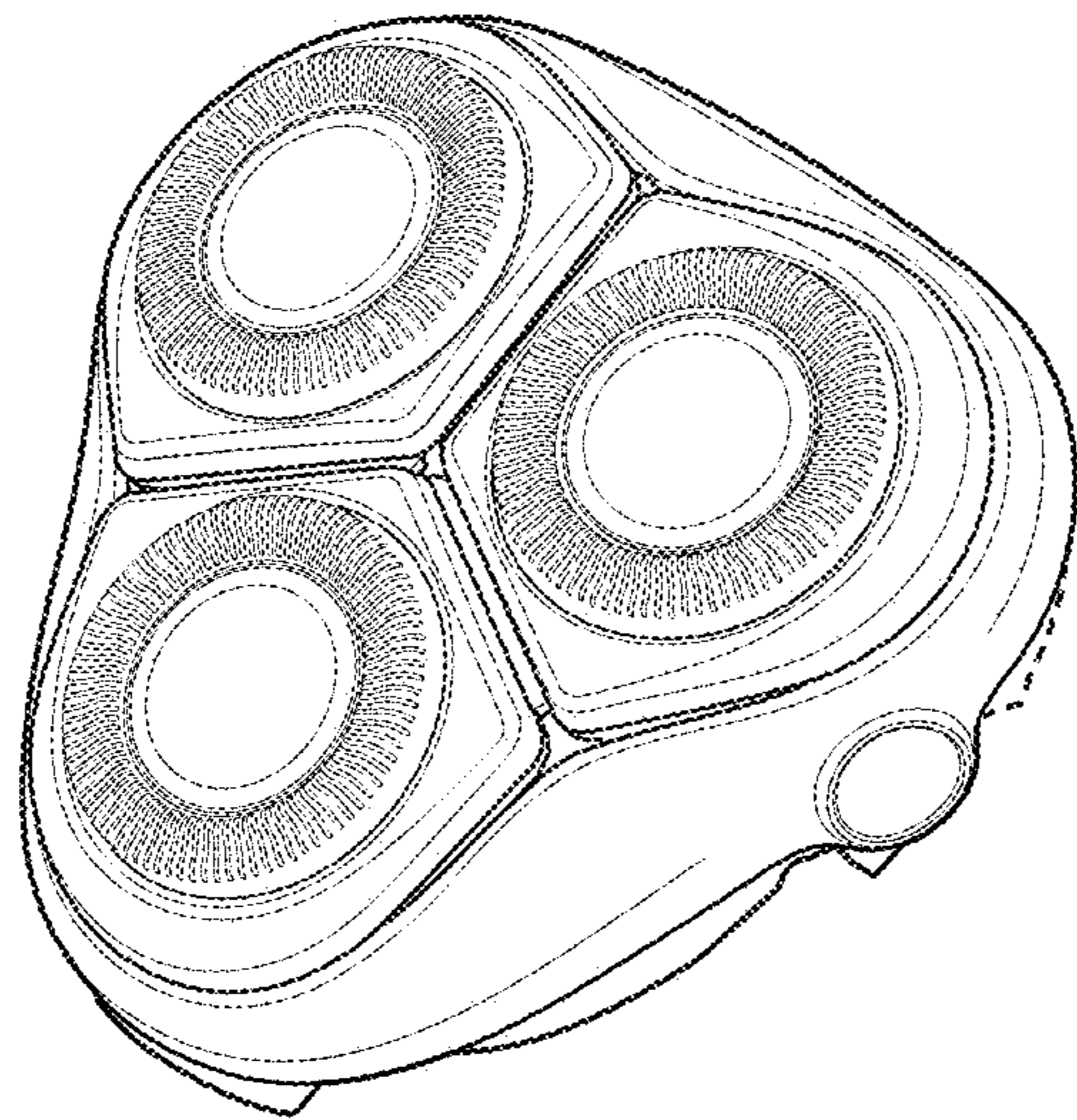


FIG. 1

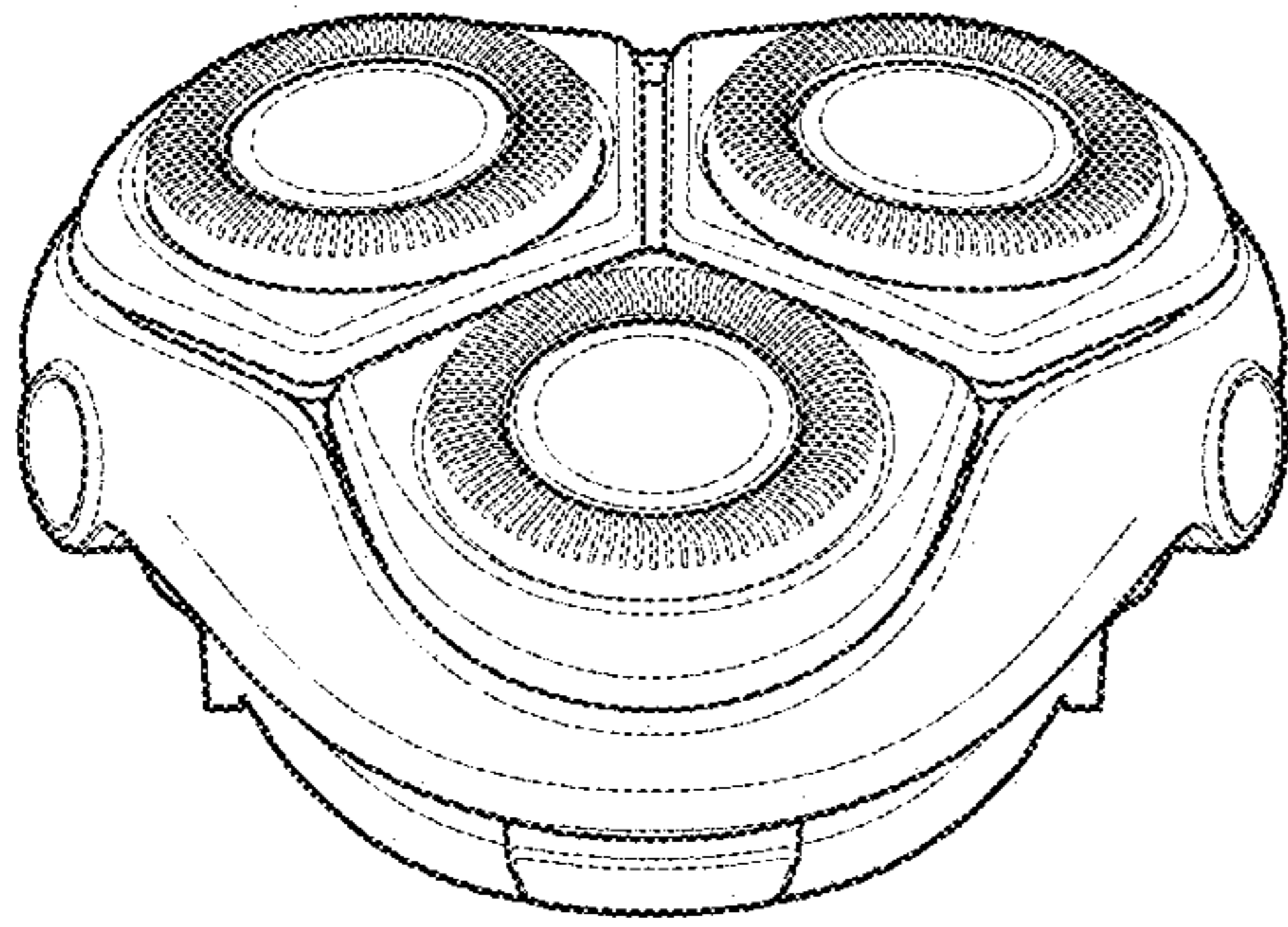


FIG. 2

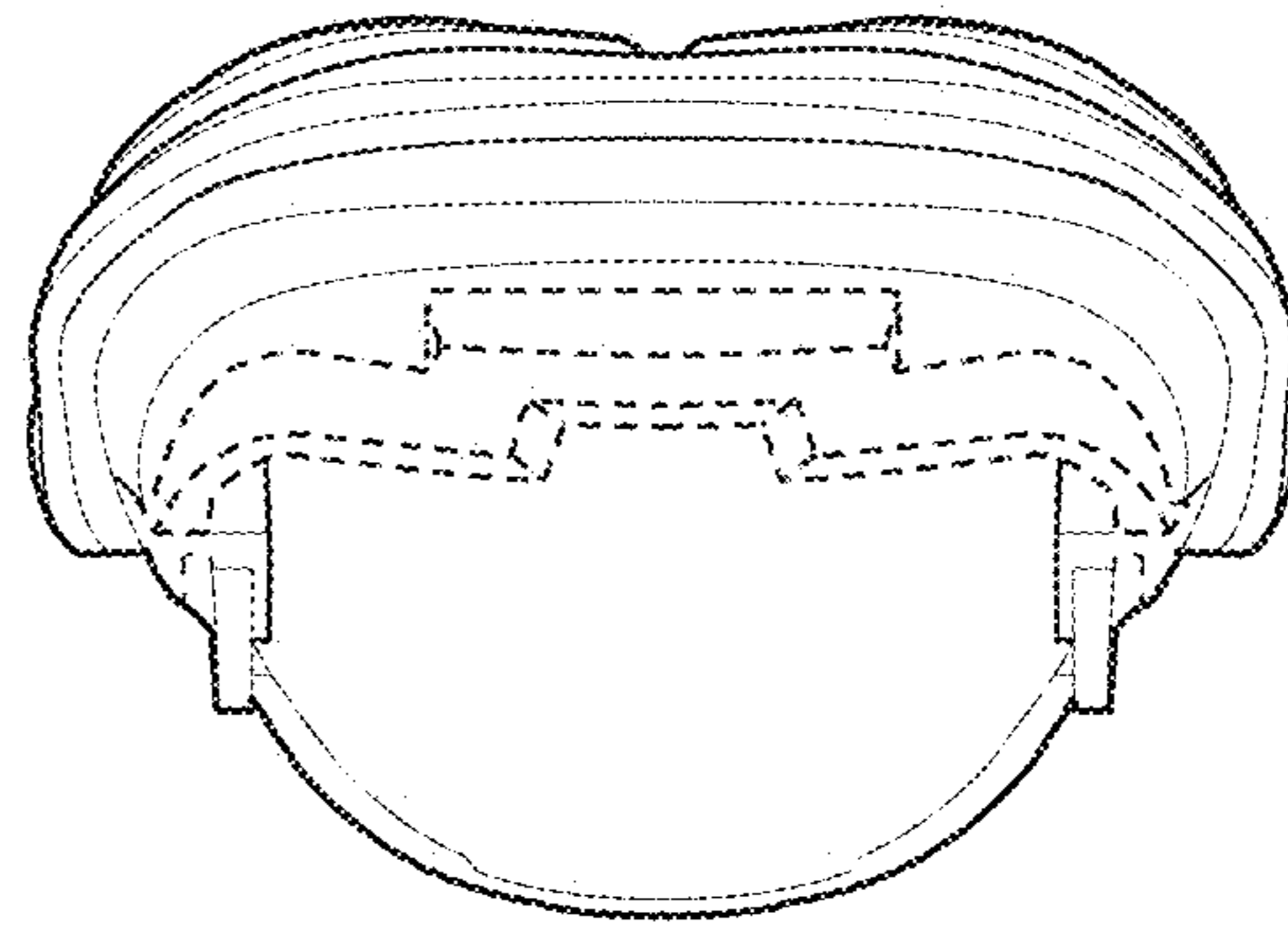


FIG. 3

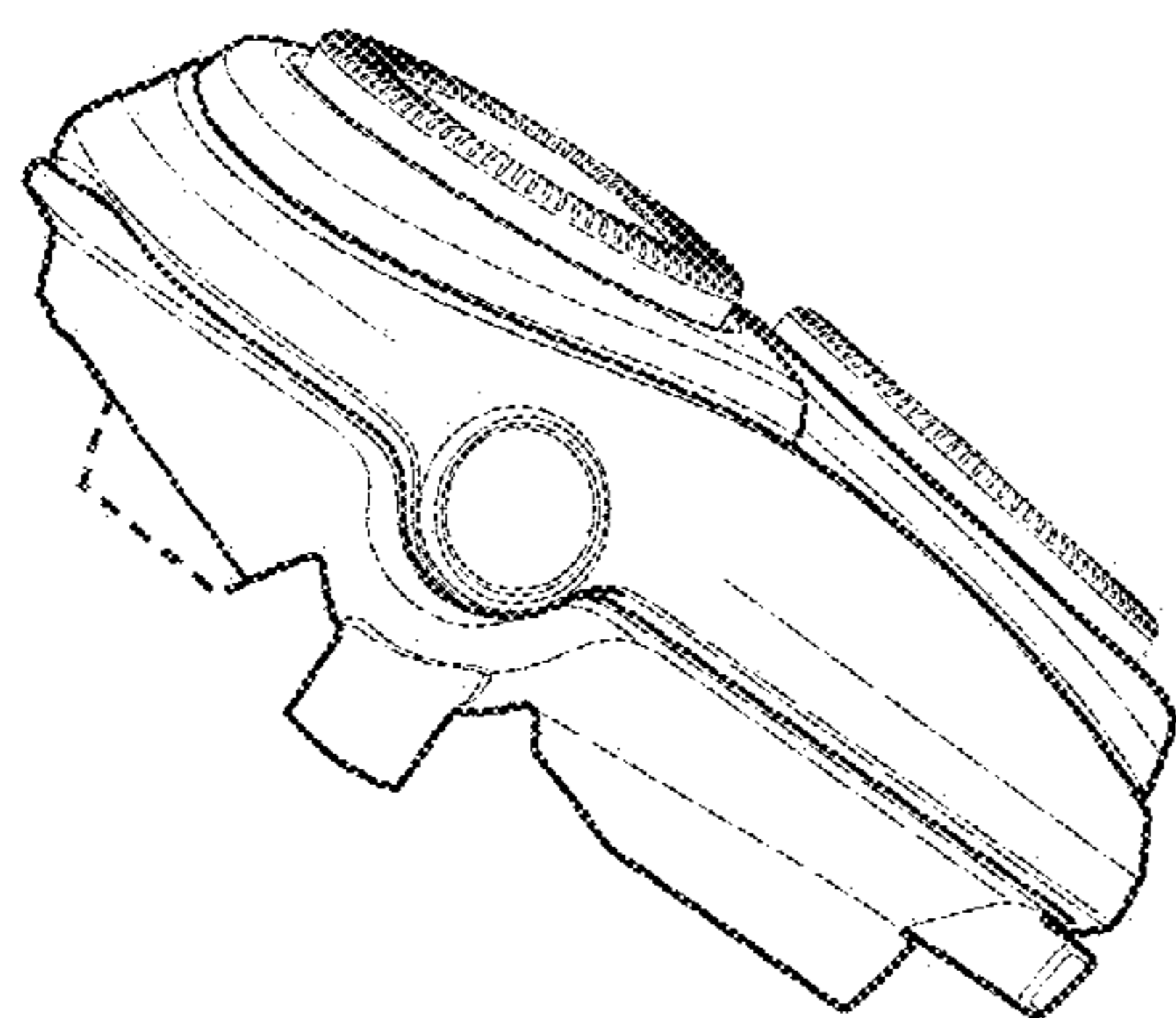


FIG. 4

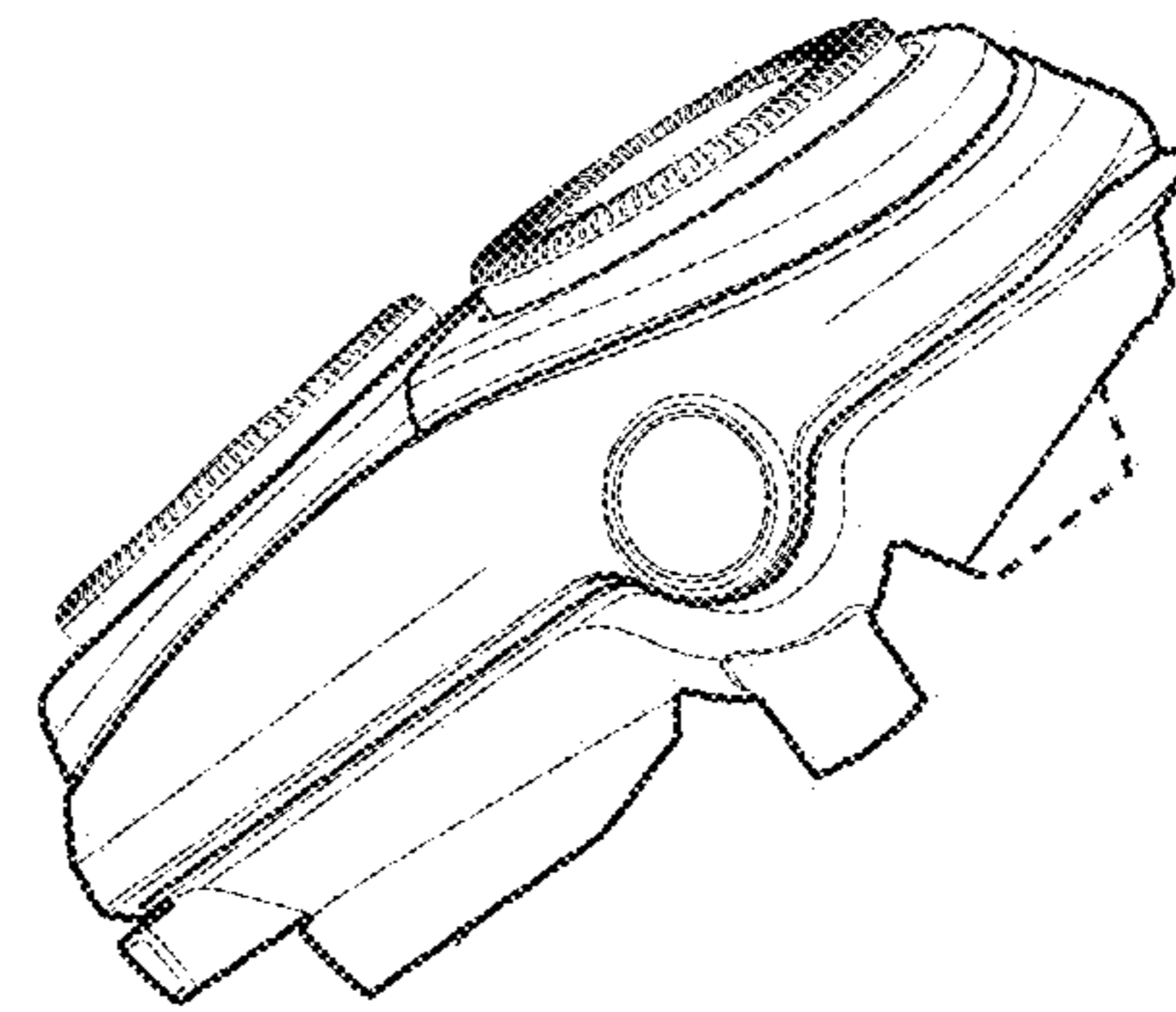


FIG. 5

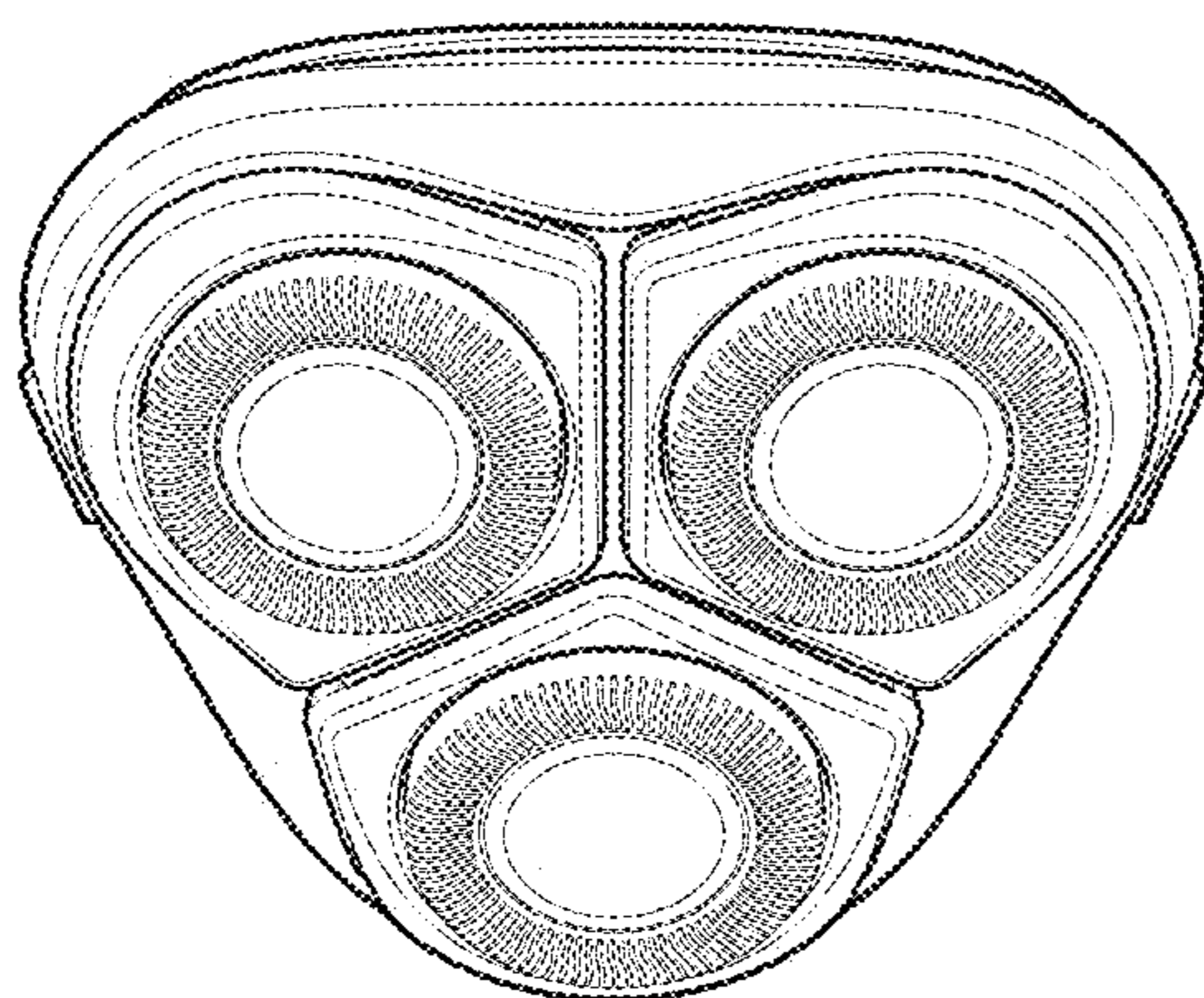


FIG. 6

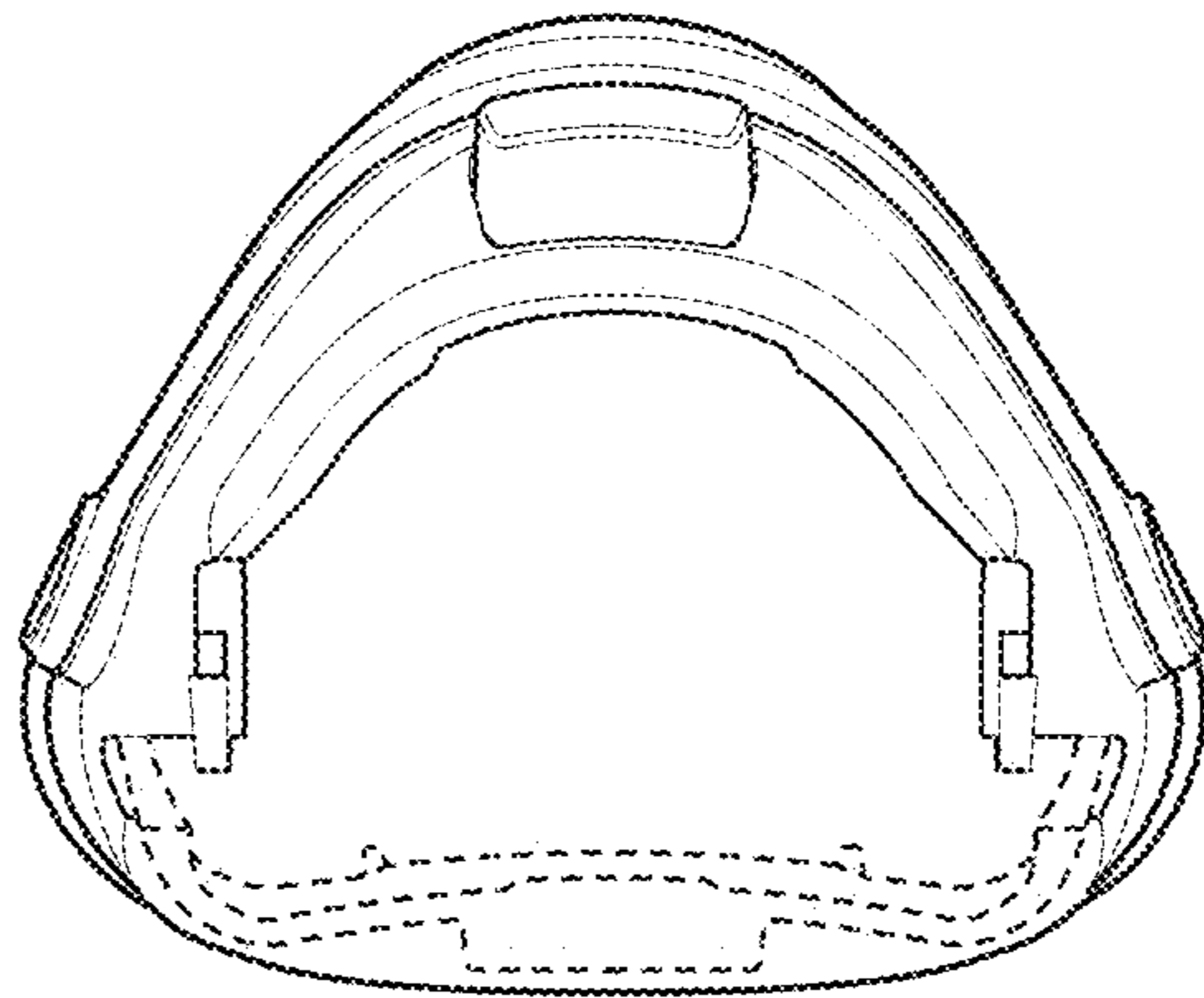


FIG. 7