



US00D933294S

(12) **United States Design Patent** (10) **Patent No.:** **US D933,294 S**
Deng (45) **Date of Patent:** **** Oct. 12, 2021**

(54) **WAX HEATER**
(71) Applicant: **GUANGZHOU WEIYUAN ELECTRONICS CO., LTD.,**
Guangzhou (CN)
(72) Inventor: **Bin Deng,** Guangzhou (CN)
(73) Assignee: **GUANGZHOU WEIYUAN ELECTRONICS CO., LTD.,**
Guangzhou (CN)

D882,747 S * 4/2020 Li D23/366
D905,907 S * 12/2020 Ragbir D28/44.1
D920,491 S * 5/2021 Jaanus D23/364
11,026,299 B2 * 6/2021 Laghi B67D 7/82
11,033,090 B2 * 6/2021 Hodges A45D 26/0014
D926,304 S * 7/2021 Lee D23/366
2019/0069345 A1 * 2/2019 Davidson H05B 1/0252
2021/0000238 A1 * 1/2021 Bartlett H05B 1/0227
2021/0186826 A1 * 6/2021 Pellico A61K 8/65

(**) Term: **15 Years**

(21) Appl. No.: **29/746,688**

(22) Filed: **Aug. 17, 2020**

(51) **LOC (13) Cl.** **28-03**

(52) **U.S. Cl.**
USPC **D28/44.1; D23/366**

(58) **Field of Classification Search**
USPC D23/362, 364, 366; D28/44, 44.1
CPC A45D 2200/155; A45D 26/0014; A45D
2026/008; A61F 7/0085; A61F 7/007
See application file for complete search history.

(56) **References Cited**

U.S. PATENT DOCUMENTS

D698,429 S * 1/2014 Jorgensen D23/366
D753,279 S * 4/2016 Li D23/366
9,516,973 B2 * 12/2016 Young A45D 26/0014
10,016,042 B2 * 7/2018 Adams A45D 26/0014
D828,534 S * 9/2018 Hu D23/366
10,238,200 B2 * 3/2019 Bartlett H05B 1/0227

OTHER PUBLICATIONS

Amazon hot sale wax heater, www.alibaba.com, 1 page, downloaded Aug. 2021 (Year: 2021).*

* cited by examiner

Primary Examiner — Jennifer Rivard

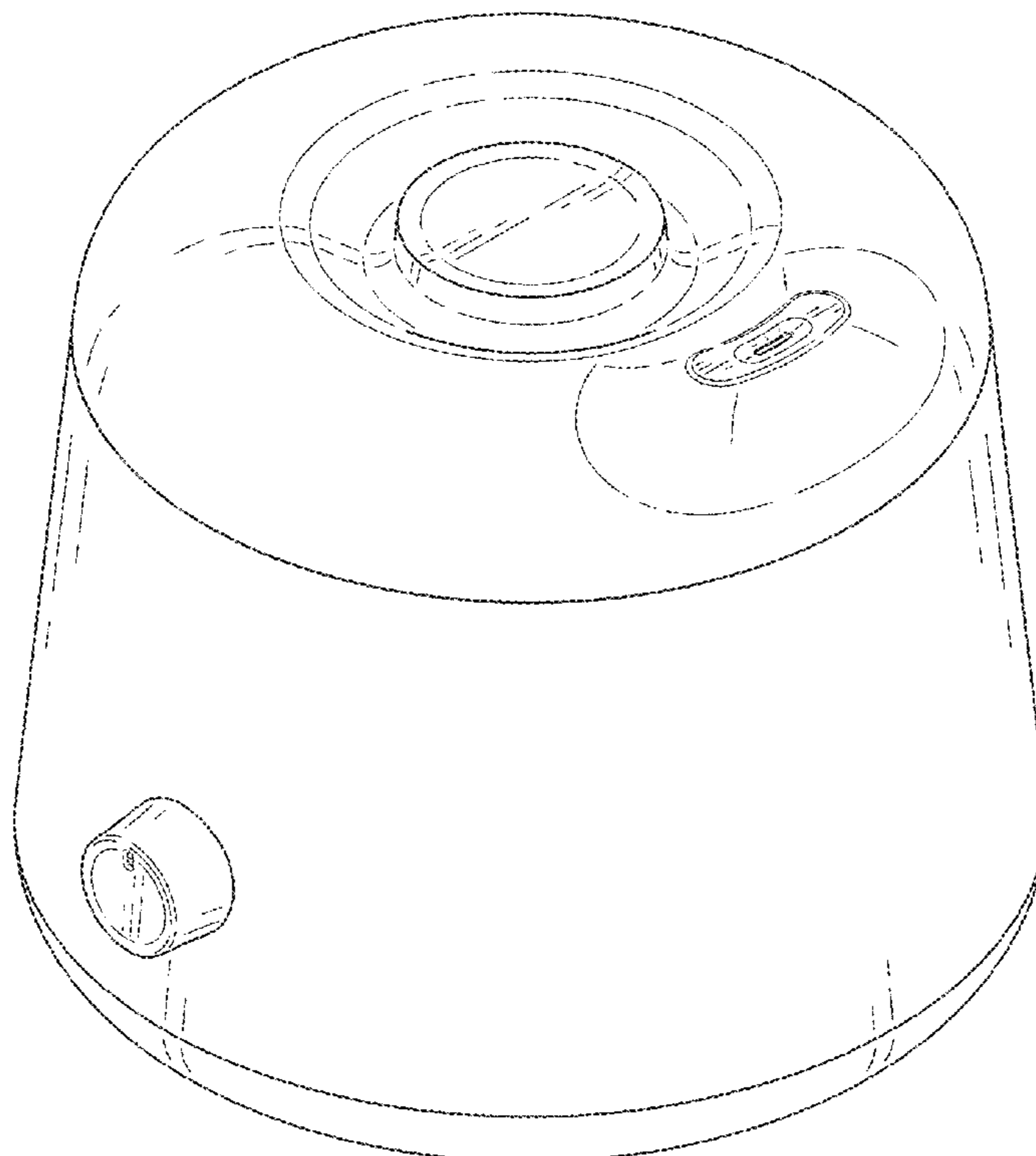
(57) **CLAIM**

The ornamental design for a wax heater, as shown and described.

DESCRIPTION

FIG. 1 is a perspective view of a wax heater showing my new design;
FIG. 2 is a front elevational view thereof;
FIG. 3 is a rear elevational view thereof;
FIG. 4 is a left side elevational view thereof;
FIG. 5 is a right side elevational view thereof;
FIG. 6 is a top plan view thereof; and,
FIG. 7 is a bottom plan view thereof.

1 Claim, 7 Drawing Sheets



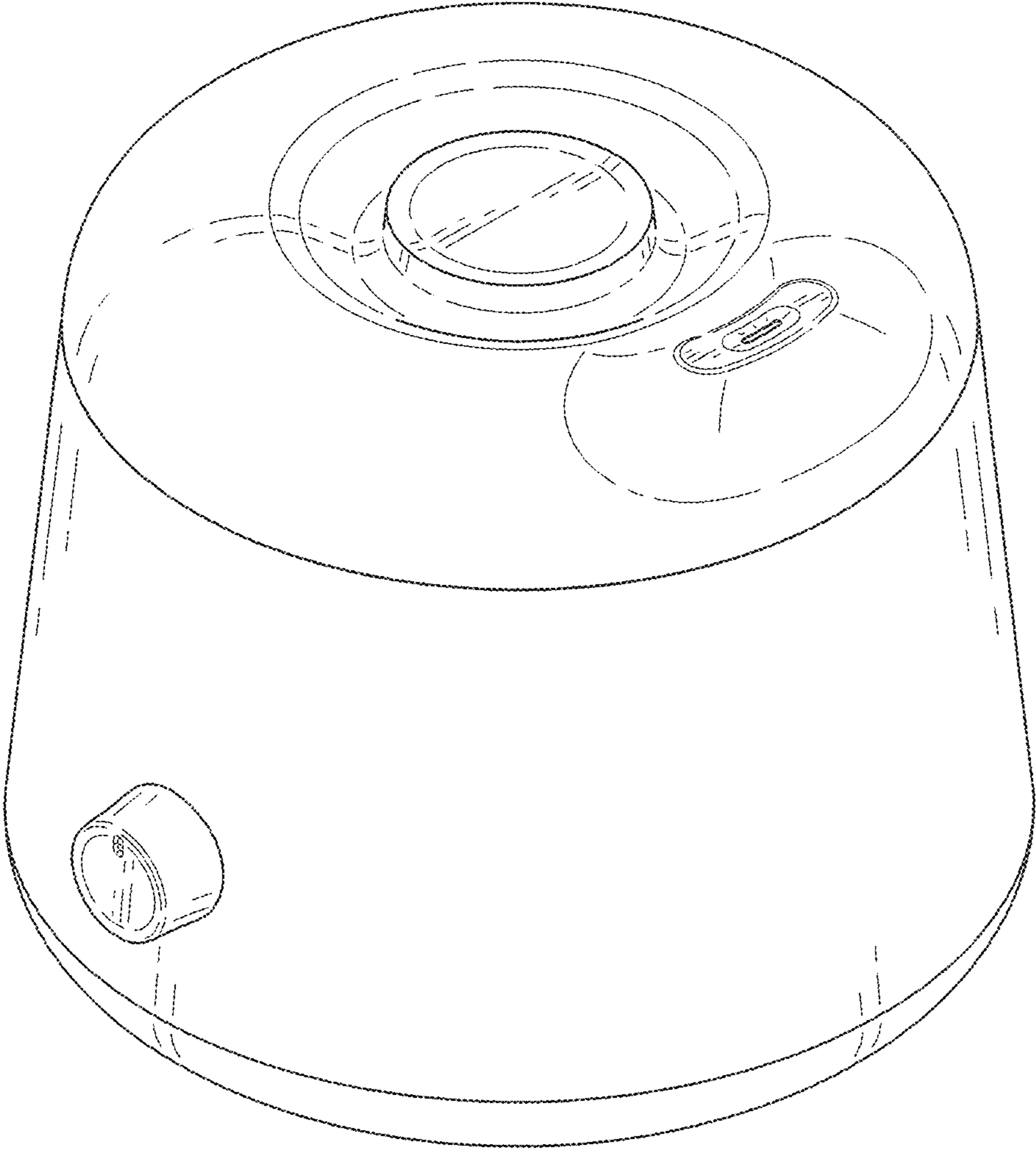


FIG. 1

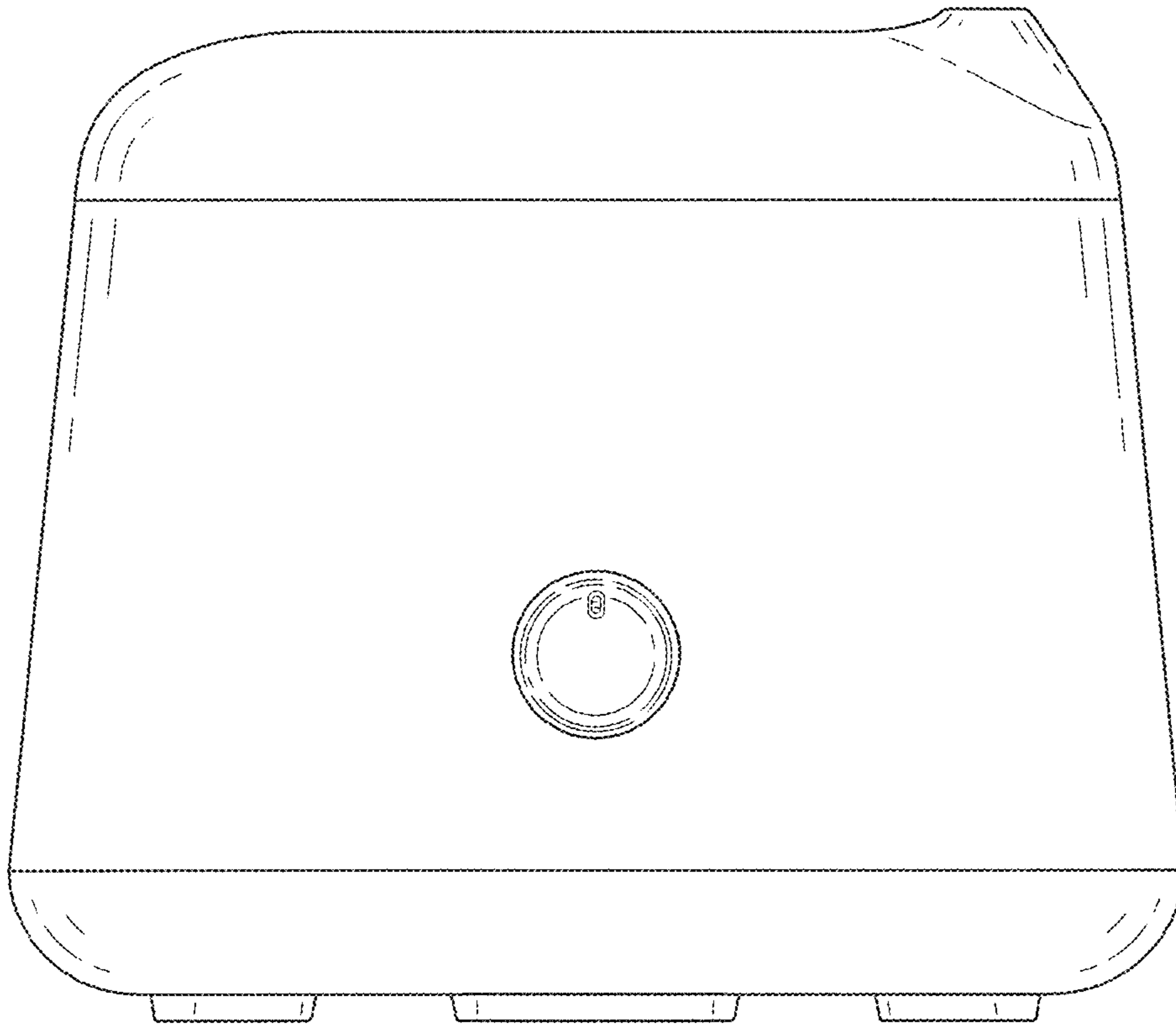


FIG. 2

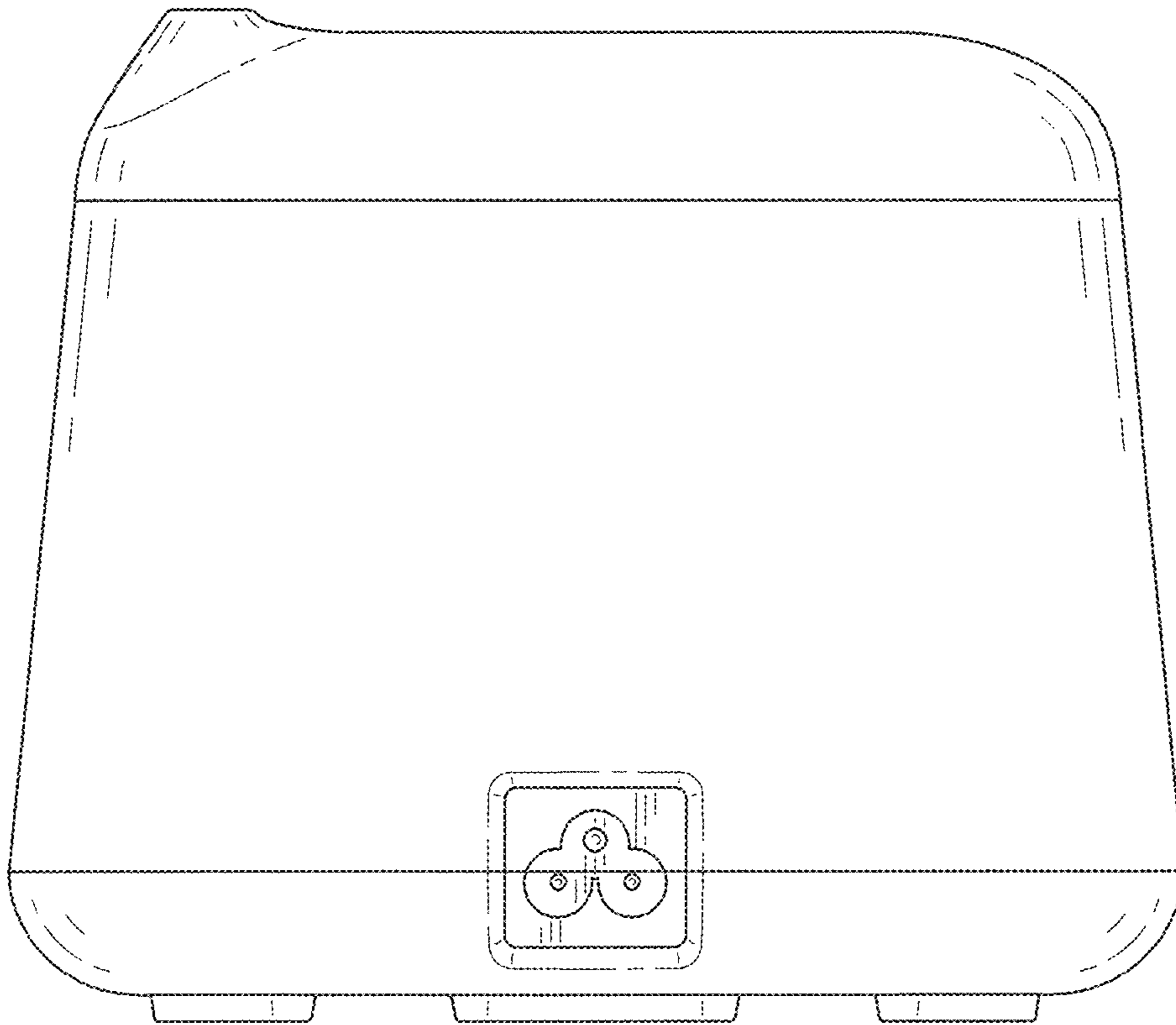


FIG. 3

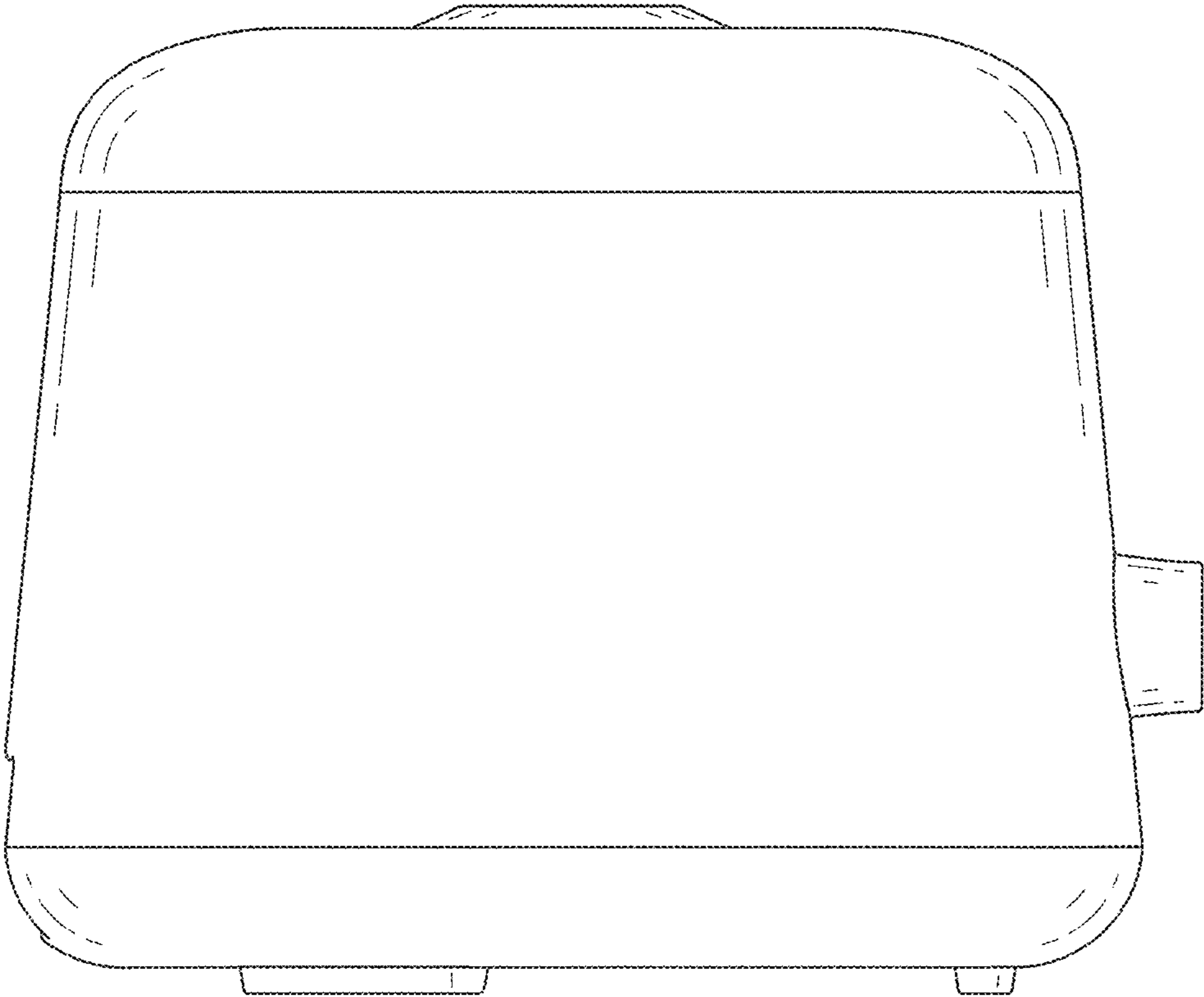


FIG. 4

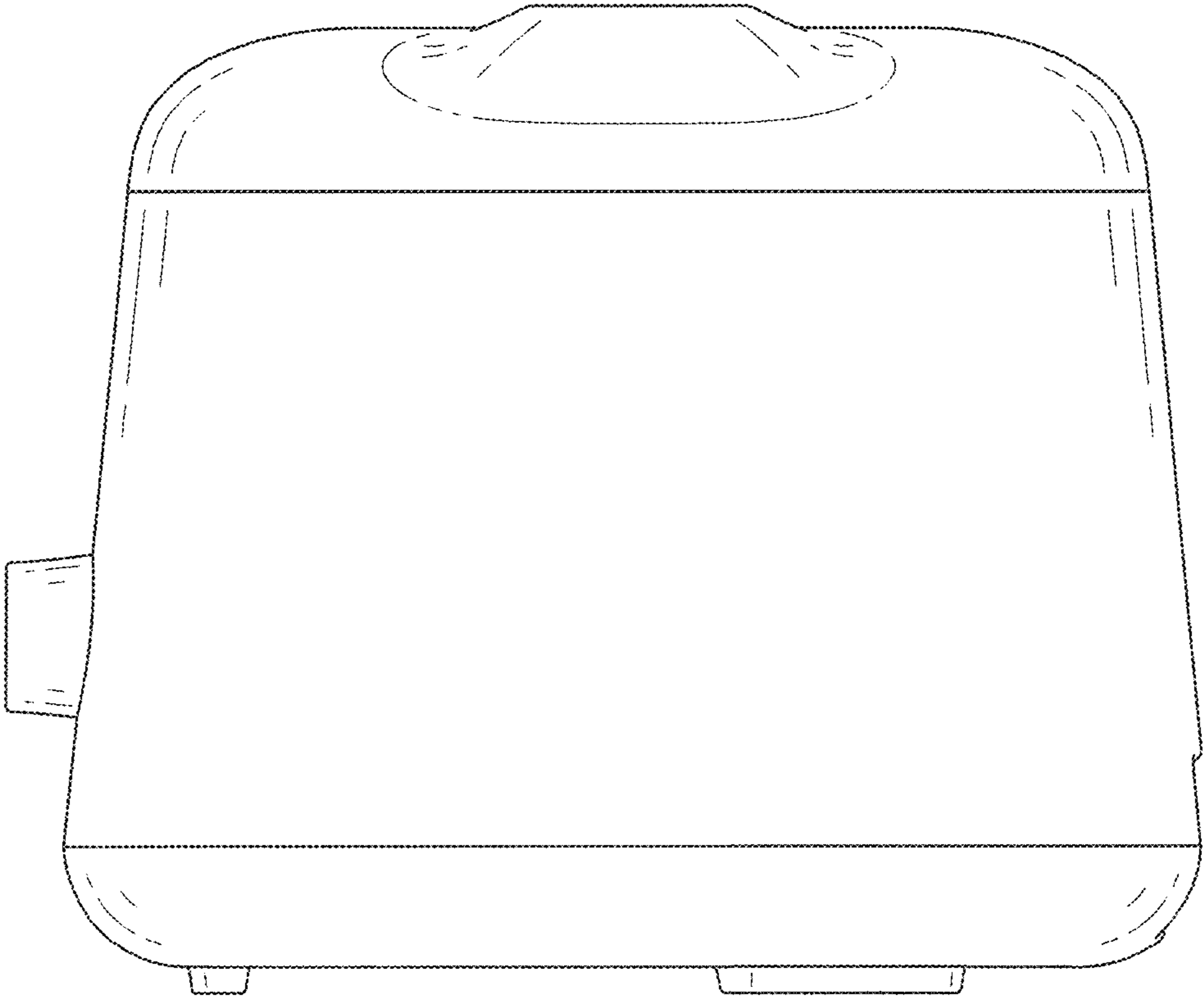


FIG. 5

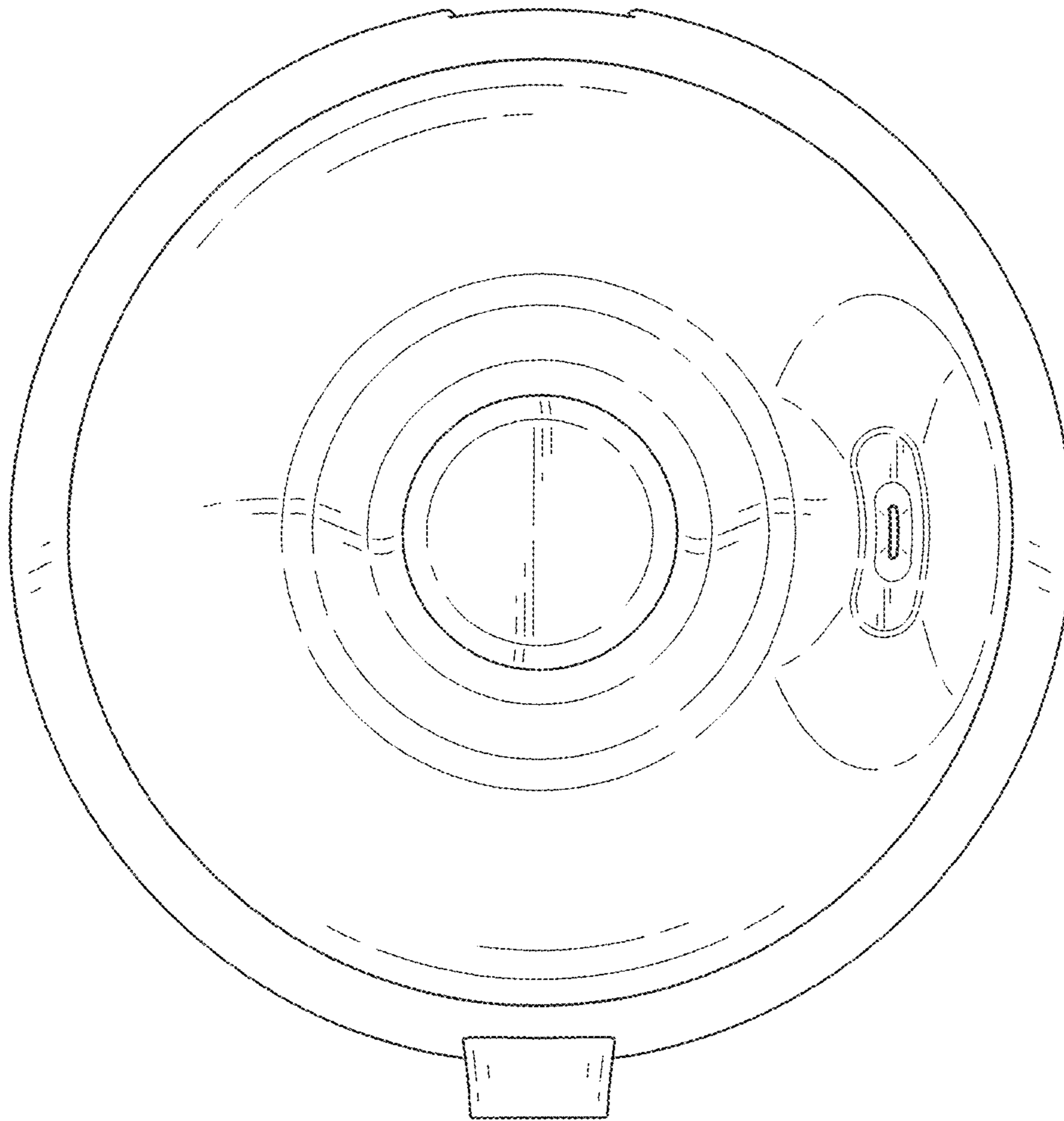


FIG. 6

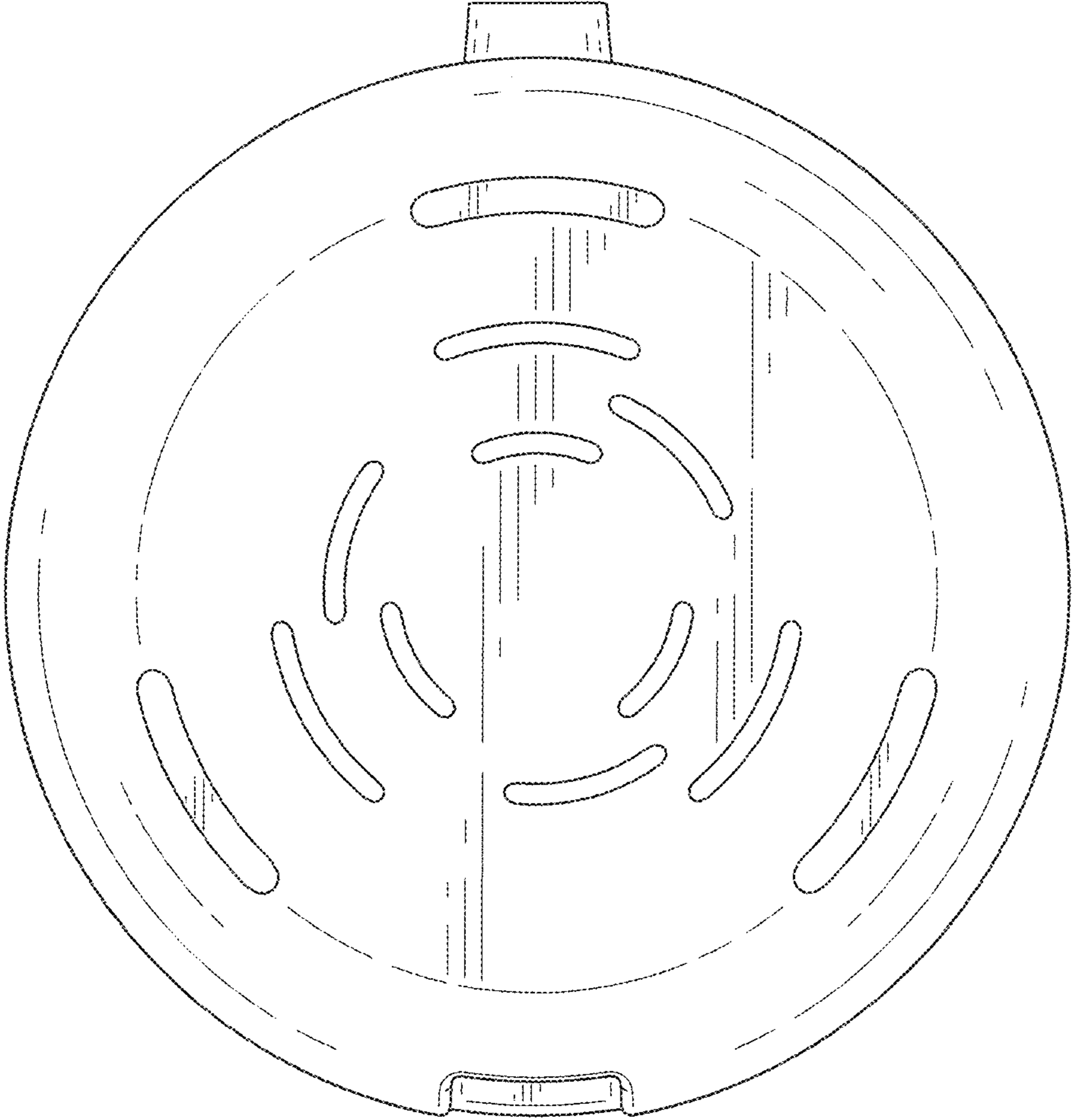


FIG. 7