



US00D933293S

(12) **United States Design Patent** (10) **Patent No.:** **US D933,293 S**
Lin (45) **Date of Patent:** **** *Oct. 12, 2021**

(54) **HAIR STRAIGHTENER**
(71) Applicant: **Dongguan Bidisco Electric Co., Ltd.**,
Dongguan (CN)
(72) Inventor: **Qiong-Quan Lin**, Dongguan (CN)
(73) Assignee: **DONGGUAN BIDISCO ELECTRIC CO., LTD**, Dongguan (CN)
(*) Notice: This patent is subject to a terminal disclaimer.
(**) Term: **15 Years**
(21) Appl. No.: **29/647,144**
(22) Filed: **May 10, 2018**
(51) **LOC (13) Cl.** **28-03**
(52) **U.S. Cl.**
USPC **D28/35**
(58) **Field of Classification Search**
USPC D28/10, 35, 37, 38
CPC ... A45D 1/00; A45D 1/04; A45D 2/00; A45D 2/02; A45D 4/00; A45D 8/00; A45D 7/02; A45D 8/40; A45D 2001/045; A45D 2001/008; A45D 19/16; A45D 2/001; A45D 2/002; A45D 2/04; A45D 2/06; A45D 2/08; A45D 2/10; A45D 2/12-22; A45D 2/24-34; A45D 2/36-367
See application file for complete search history.

D758,013 S * 5/2016 Bermudez D28/35
D816,902 S * 5/2018 Delassus D28/35
D838,039 S * 1/2019 Zhou D28/35
10,213,000 B2 * 2/2019 Moore A45D 1/04
2006/0207625 A1 * 9/2006 Chan A45D 1/04
132/224
2009/0114240 A1 * 5/2009 Leung A45D 1/04
132/224
2012/0055502 A1 * 3/2012 Wright A45D 1/04
132/226
2016/0255936 A1 * 9/2016 deGrood A45D 2/001
2016/0271646 A1 * 9/2016 deGrood A45D 1/06
2018/0014618 A1 * 1/2018 Ohgi A45D 1/04
2018/0042352 A1 * 2/2018 deGrood A45D 1/04
2018/0064226 A1 * 3/2018 Richmond A45D 1/06
2018/0070695 A1 * 3/2018 Feng A45D 2/001
2018/0338595 A1 * 11/2018 Jones A45D 6/00

* cited by examiner

Primary Examiner — Jennifer Rivard
Assistant Examiner — Alison M Ofstun

(57) **CLAIM**

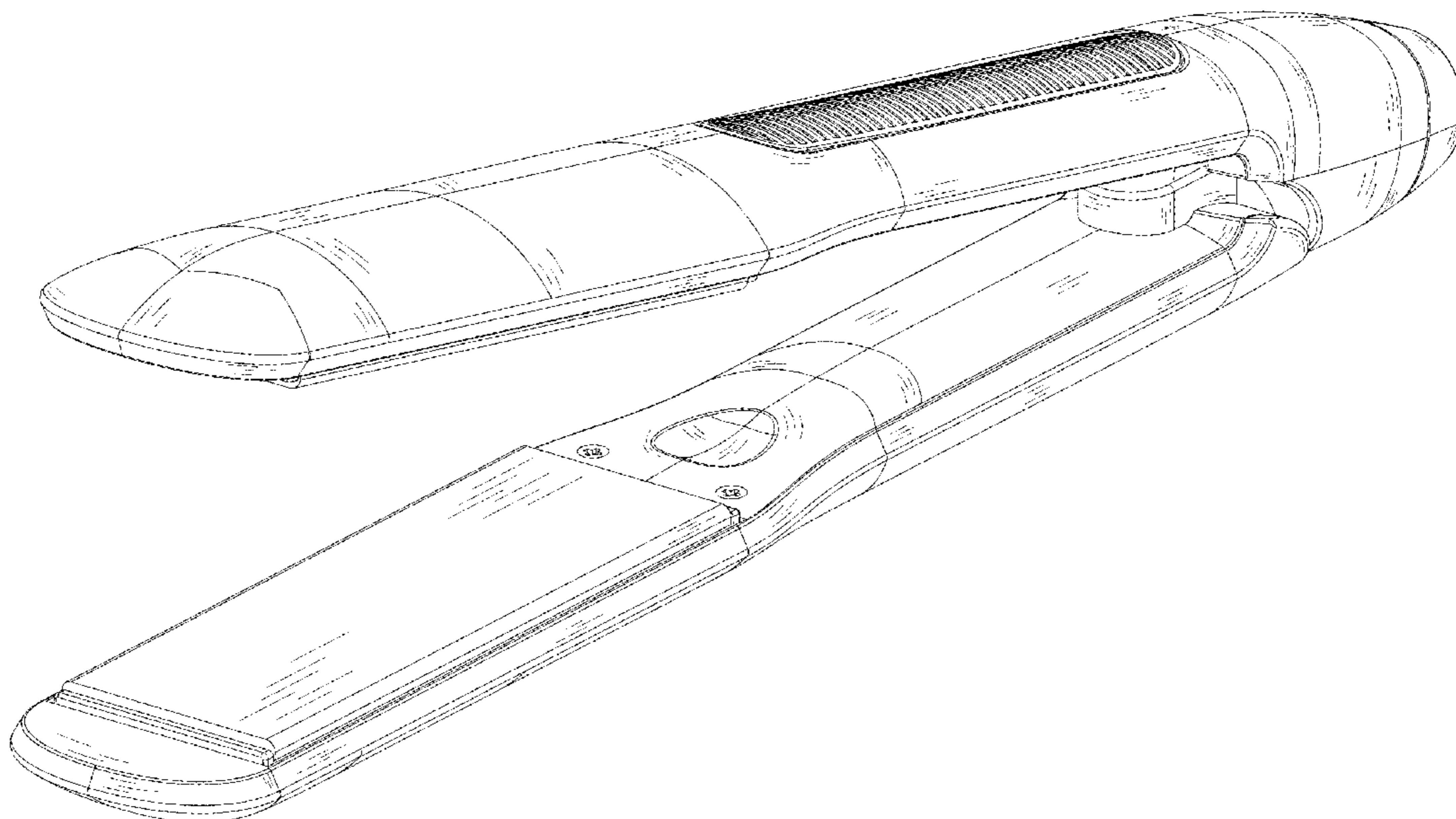
The ornamental design for a hair straightener, as shown and described.

DESCRIPTION

FIG. 1 is the perspective view of a hair straightener, showing my new design;
FIG. 2 is a front elevational view thereof;
FIG. 3 is a rear elevational view thereof;
FIG. 4 is a left side elevational view thereof;
FIG. 5 is a right side elevational view thereof;
FIG. 6 is a top elevational view thereof;
FIG. 7 is a bottom elevational view thereof; and,
FIG. 8 is a perspective view thereof, shown in a position of use.
The broken lines of the drawings depict portions of the hair straightener that forms no part of the claimed design.

1 Claim, 8 Drawing Sheets

(56) **References Cited**
U.S. PATENT DOCUMENTS
D596,795 S * 7/2009 Keong D28/35
D596,799 S * 7/2009 Kwok D28/35
D606,256 S * 12/2009 Leung D28/35
D645,613 S * 9/2011 Schmitz D28/35
D649,288 S * 11/2011 Koehler D28/35
D672,087 S * 12/2012 Julemont D28/35



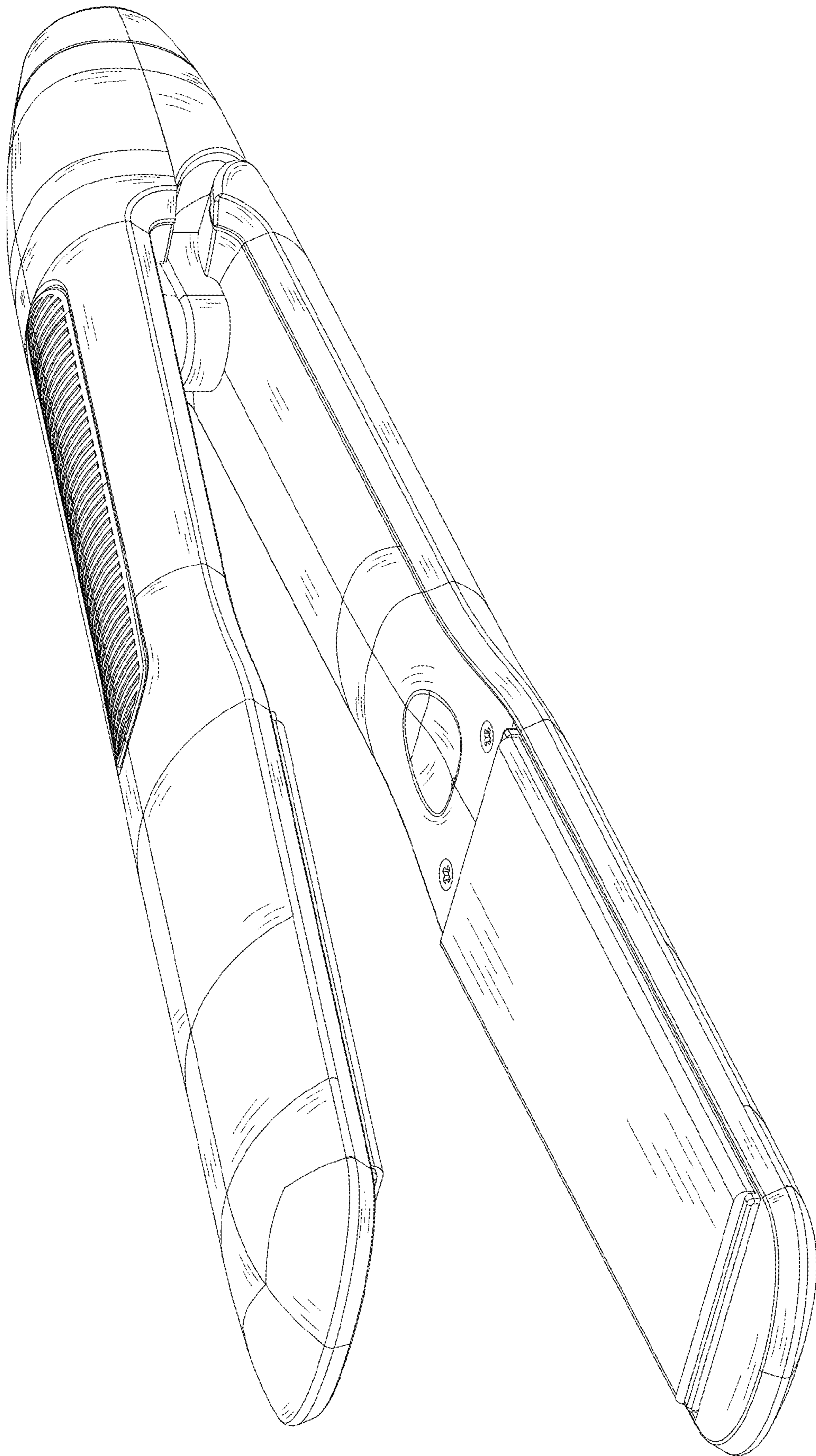


FIG. 1

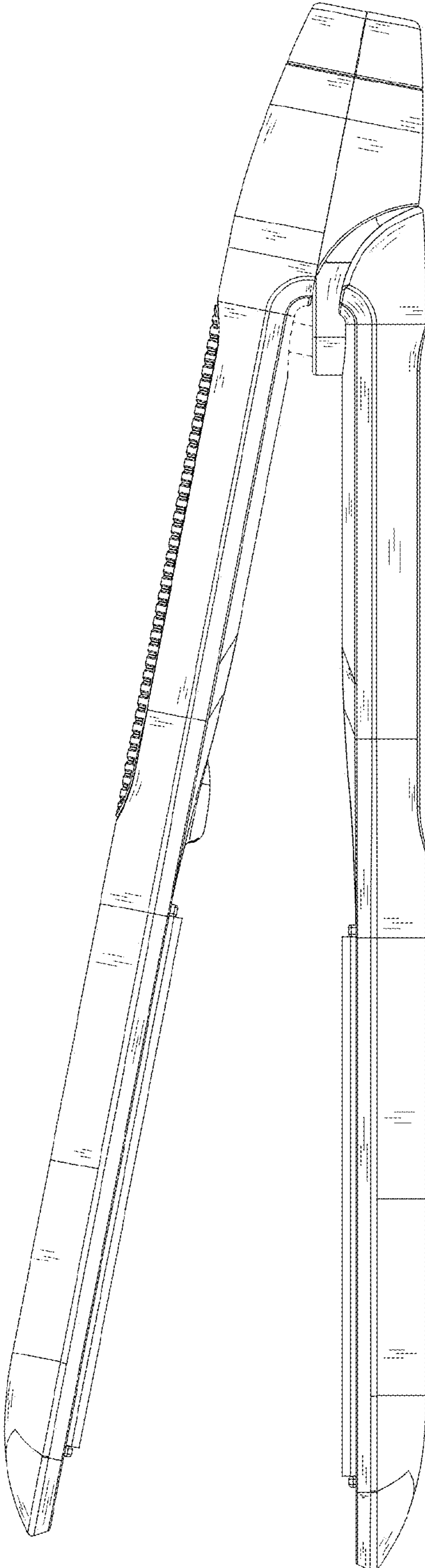


FIG. 2

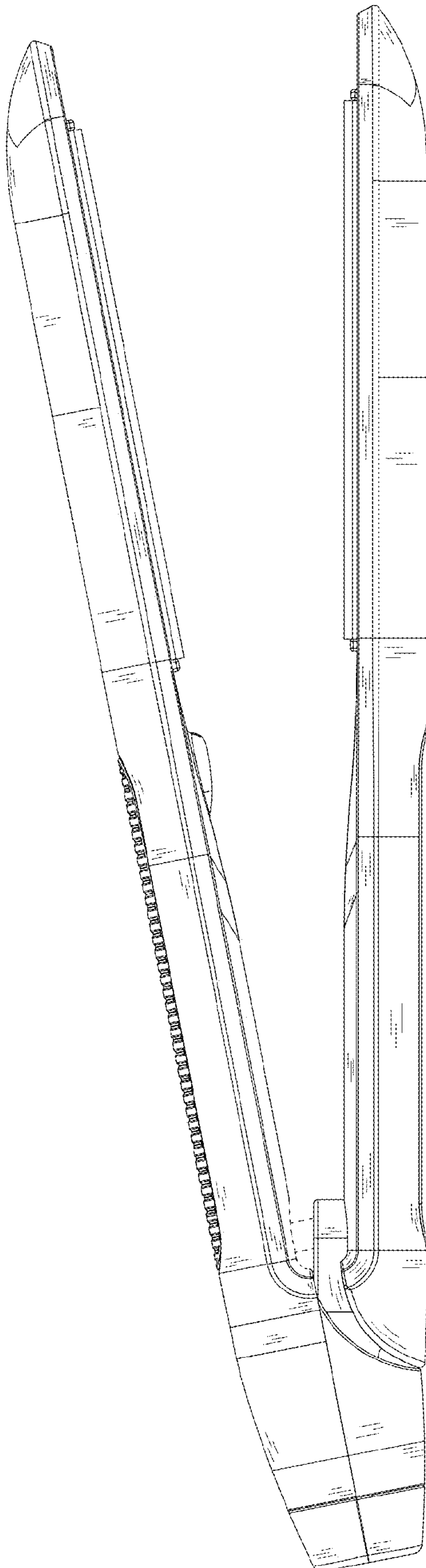


FIG. 3

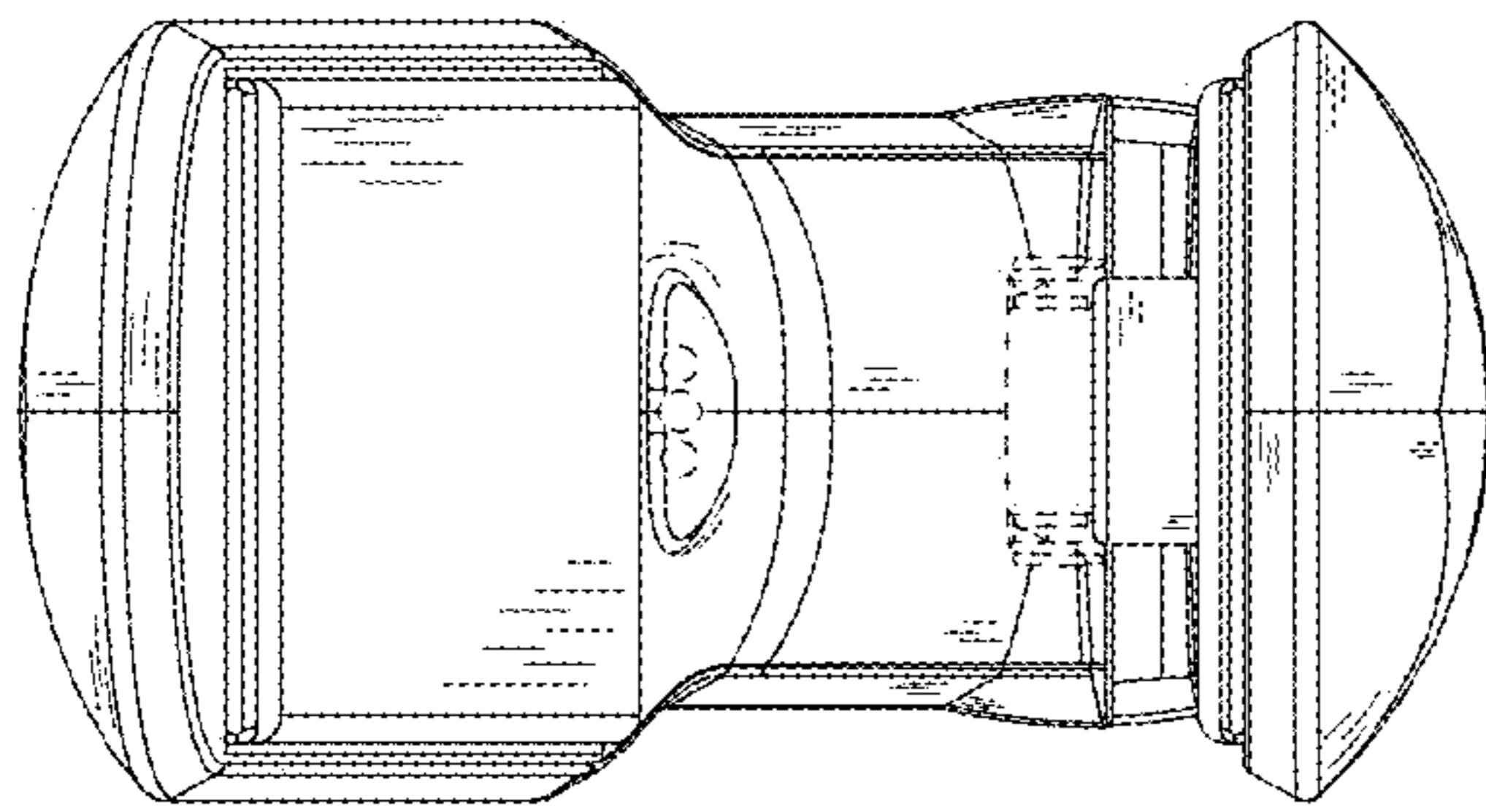


FIG. 4

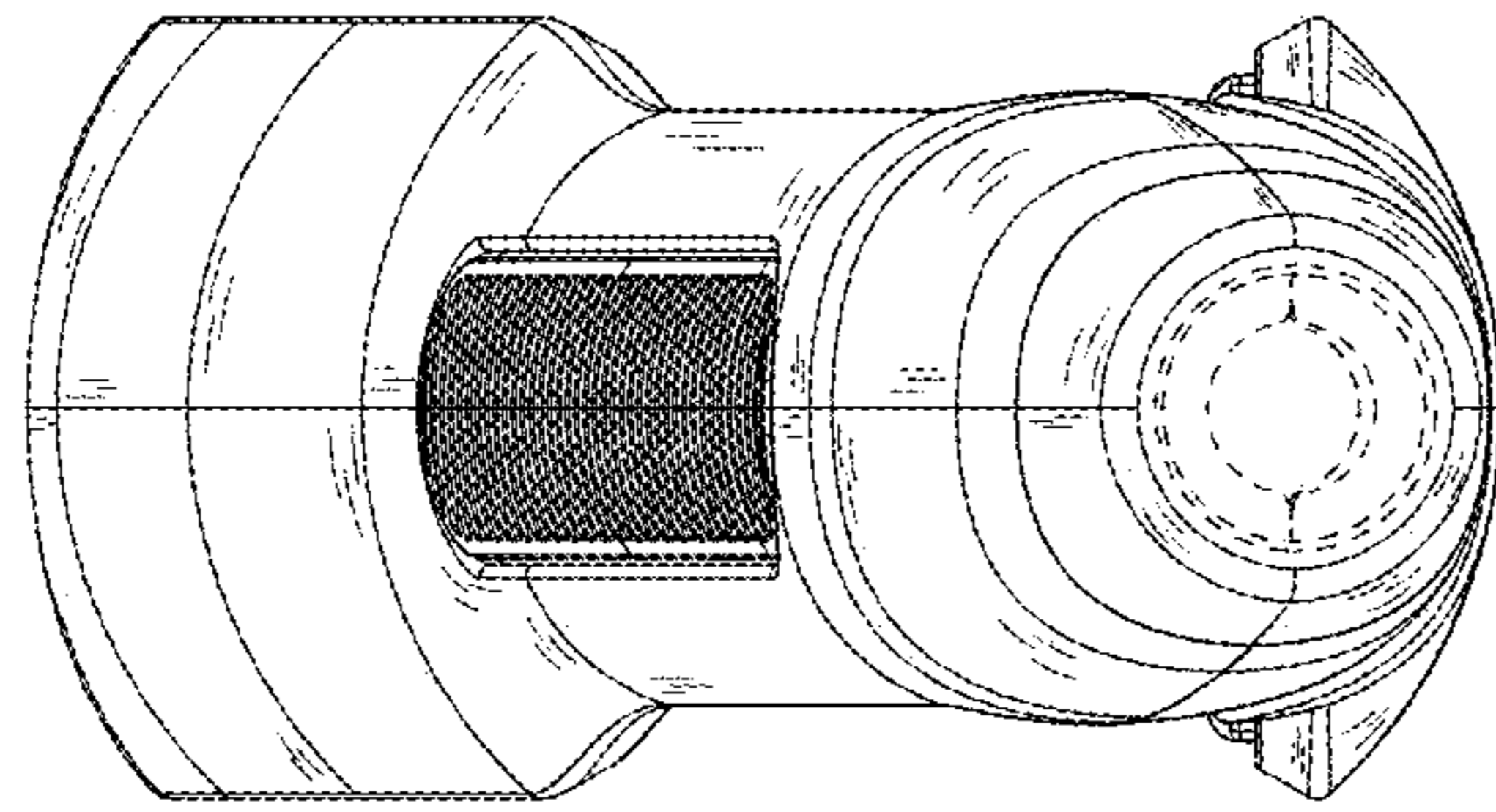


FIG. 5

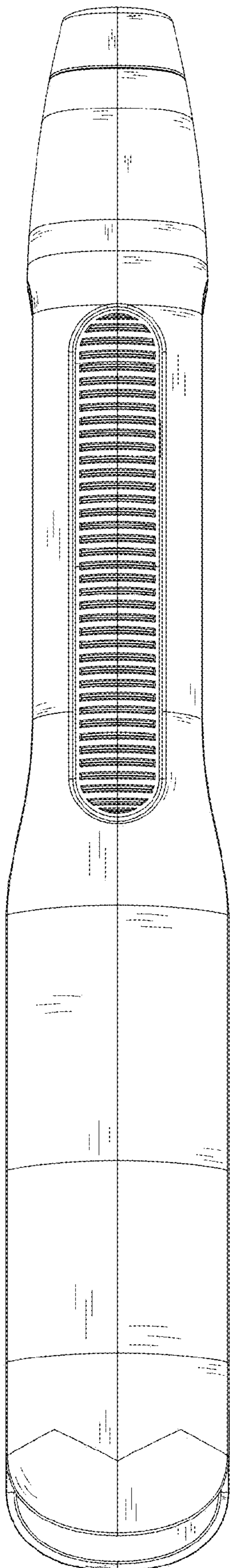


FIG. 6

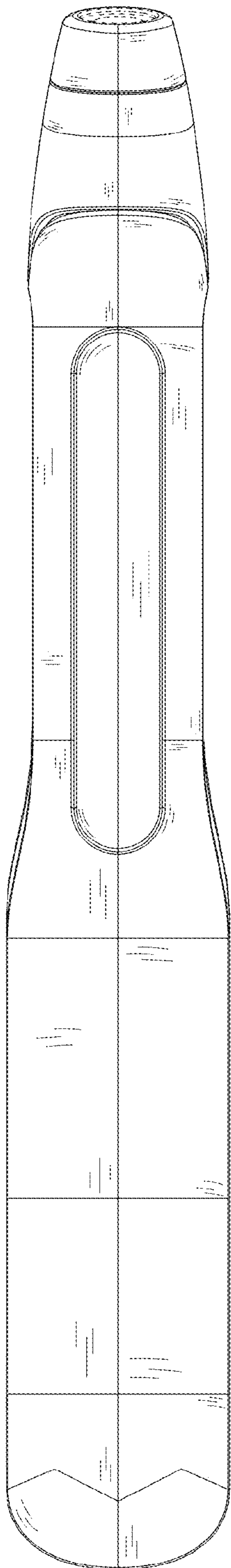


FIG. 7

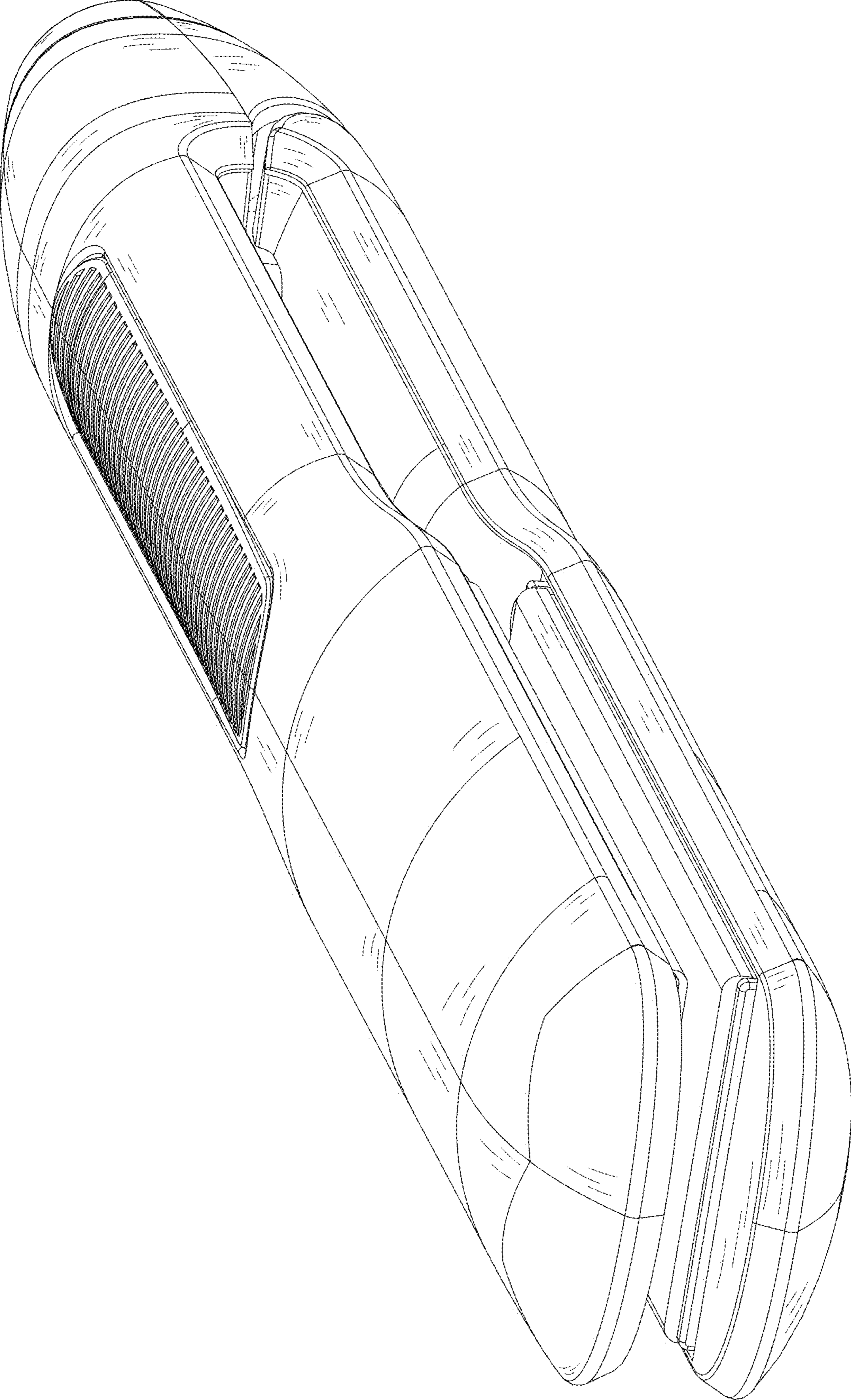


FIG. 8