



US00D933292S

(12) **United States Design Patent**
Yang

(10) **Patent No.:** **US D933,292 S**
(45) **Date of Patent:** **** Oct. 12, 2021**

(54) **HAIR DRYER**

(71) Applicant: **YANGJIA INDUSTRIAL (SHENZHEN) CO., LTD.**, Shenzhen (CN)

(72) Inventor: **Yanguo Yang**, Shenzhen (CN)

(73) Assignee: **YANGJIA INDUSTRIAL (SHENZHEN) CO., LTD.**, Guangdong (CN)

(**) Term: **15 Years**

(21) Appl. No.: **29/735,955**

(22) Filed: **May 26, 2020**

(51) **LOC (13) Cl.** **28-03**

(52) **U.S. Cl.**
USPC **D28/13**

(58) **Field of Classification Search**
USPC D28/12-19; D8/29.1
CPC A45D 20/00; A45D 20/08; A45D 20/10;
A45D 20/12; A45D 20/122; A45D
20/124; A45D 2020/128
See application file for complete search history.

(56) **References Cited**

U.S. PATENT DOCUMENTS

D262,062 S * 11/1981 Nagelkerke D28/13
D265,767 S * 8/1982 Stewart D28/13

D350,413 S * 9/1994 Feil D28/13
D791,407 S * 7/2017 Smith D28/13
D850,717 S * 6/2019 Huang D28/13
D893,097 S * 8/2020 Huang D28/13

* cited by examiner

Primary Examiner — Zenia I Bennett

(74) *Attorney, Agent, or Firm* — NZ Carr Law Office PLLC

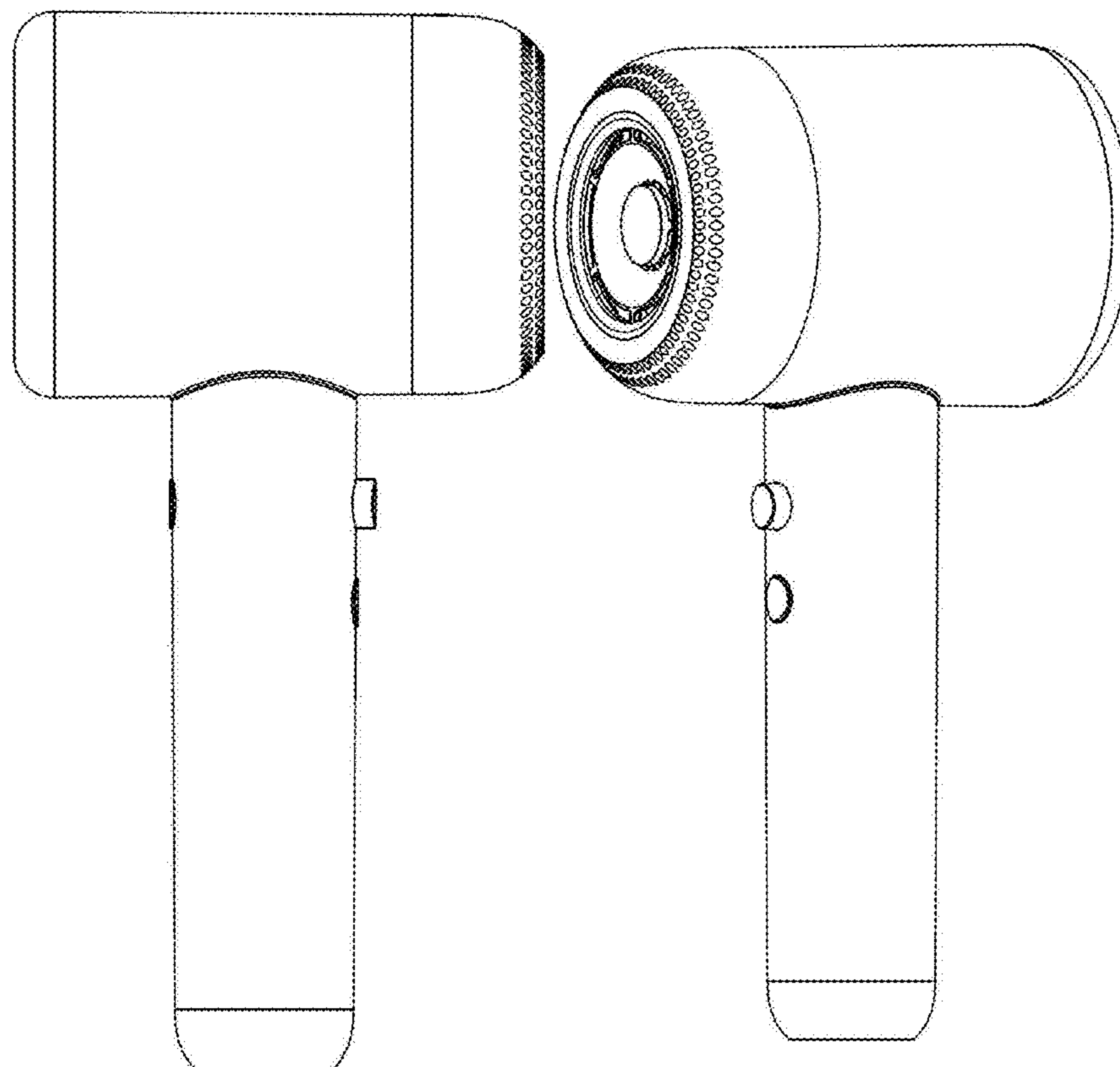
(57) **CLAIM**

The ornamental design for a hair dryer, as shown and described.

DESCRIPTION

FIG. 1 is a back elevation view of a hair dryer.
FIG. 2 is a bottom elevation view of the hair dryer.
FIG. 3 is a front elevation view of the hair dryer.
FIG. 4 is a left elevation view of the hair dryer.
FIG. 5 is a right-back perspective view of the hair dryer.
FIG. 6 is a front-left perspective view of the hair dryer.
FIG. 7 is a right elevation view of the hair dryer; and,
FIG. 8 is a top elevation view of the hair dryer.

1 Claim, 8 Drawing Sheets



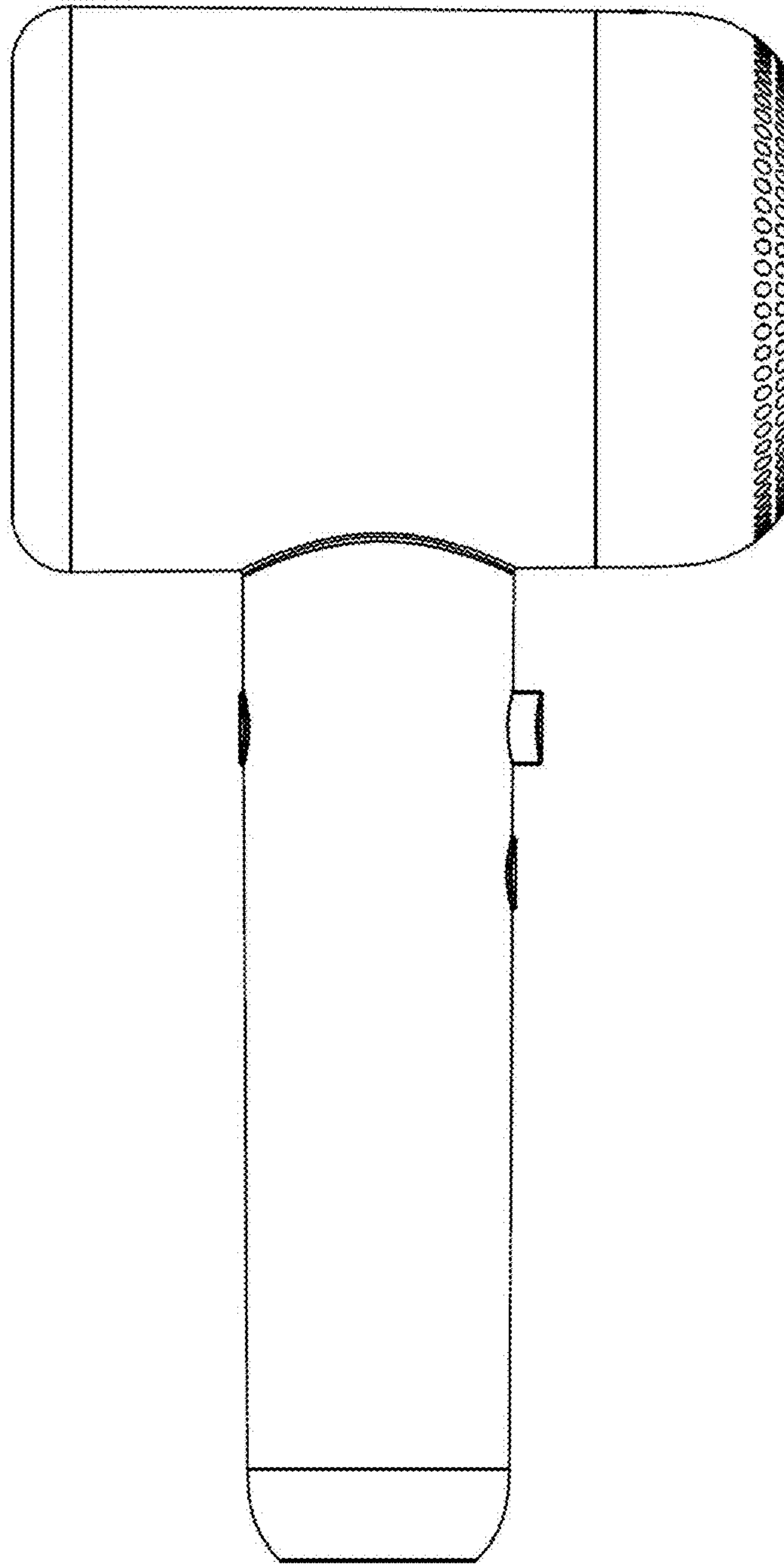


Fig. 1

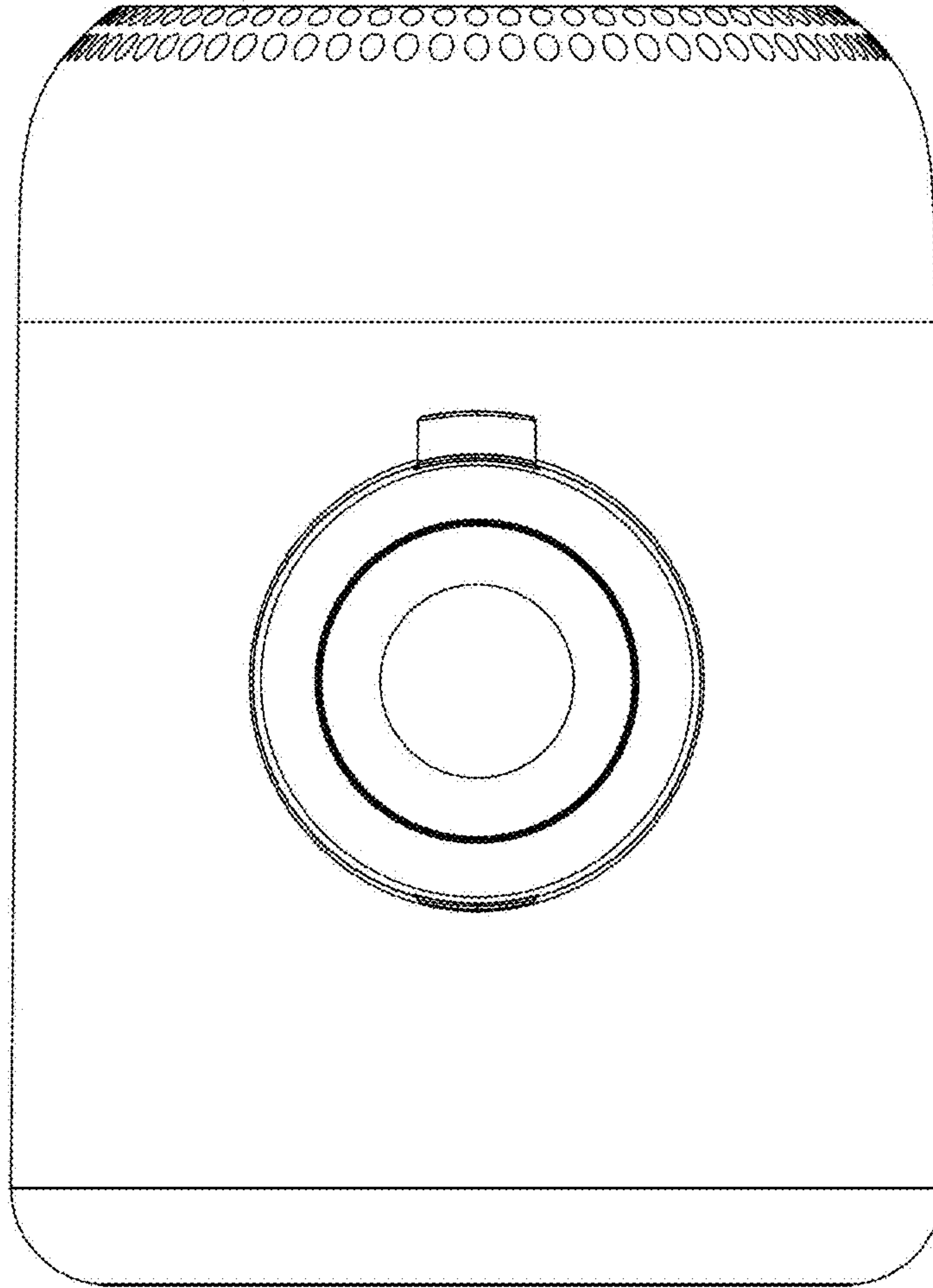


Fig. 2

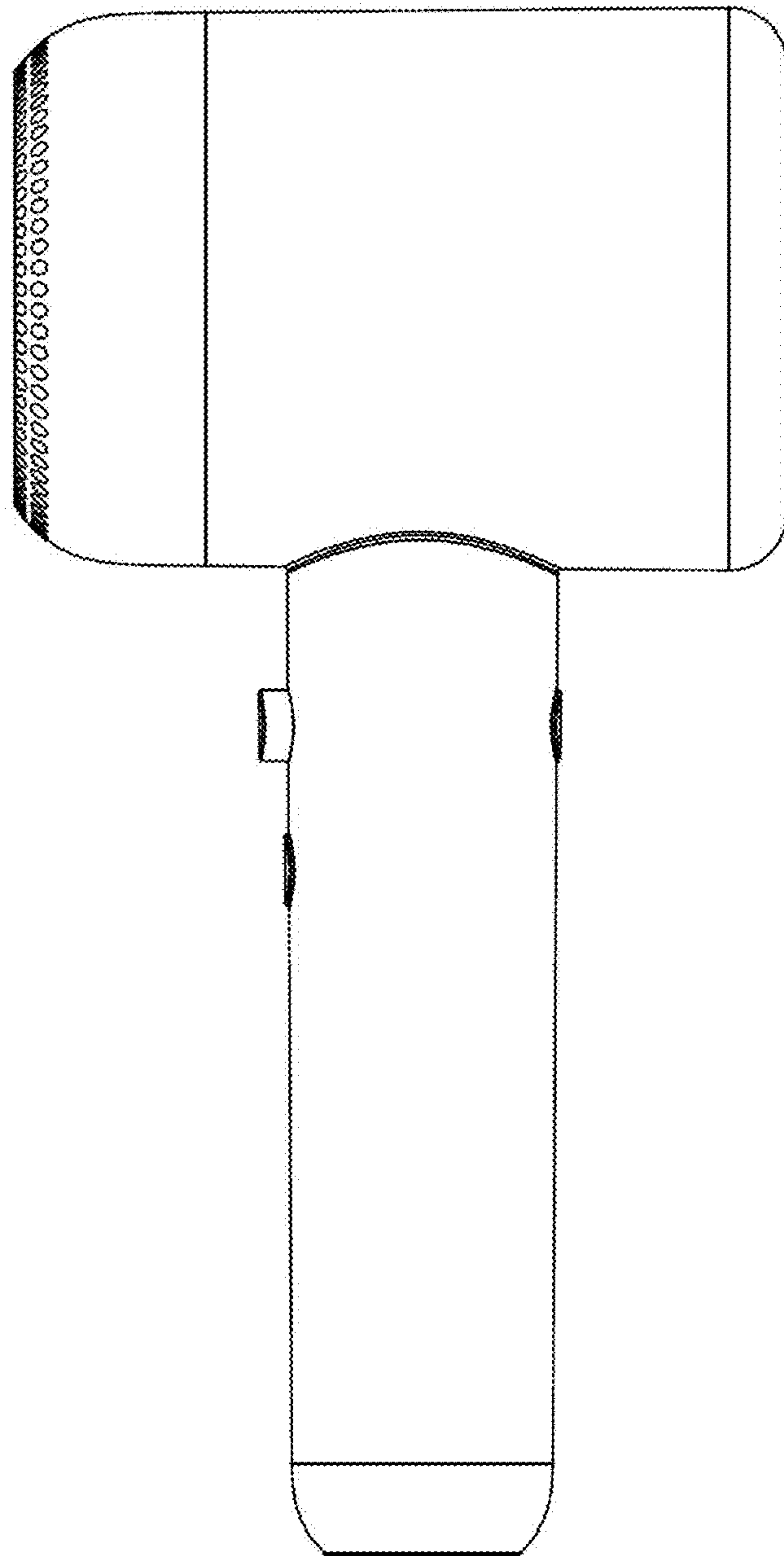


Fig. 3

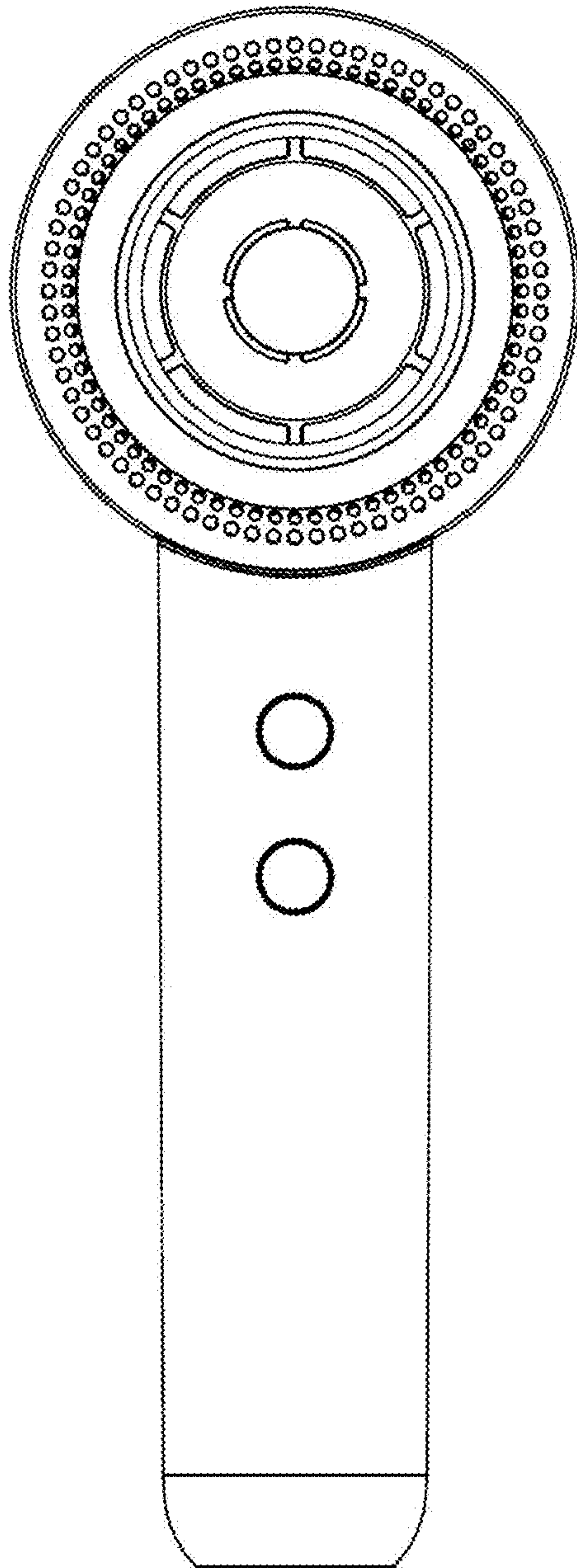


Fig. 4

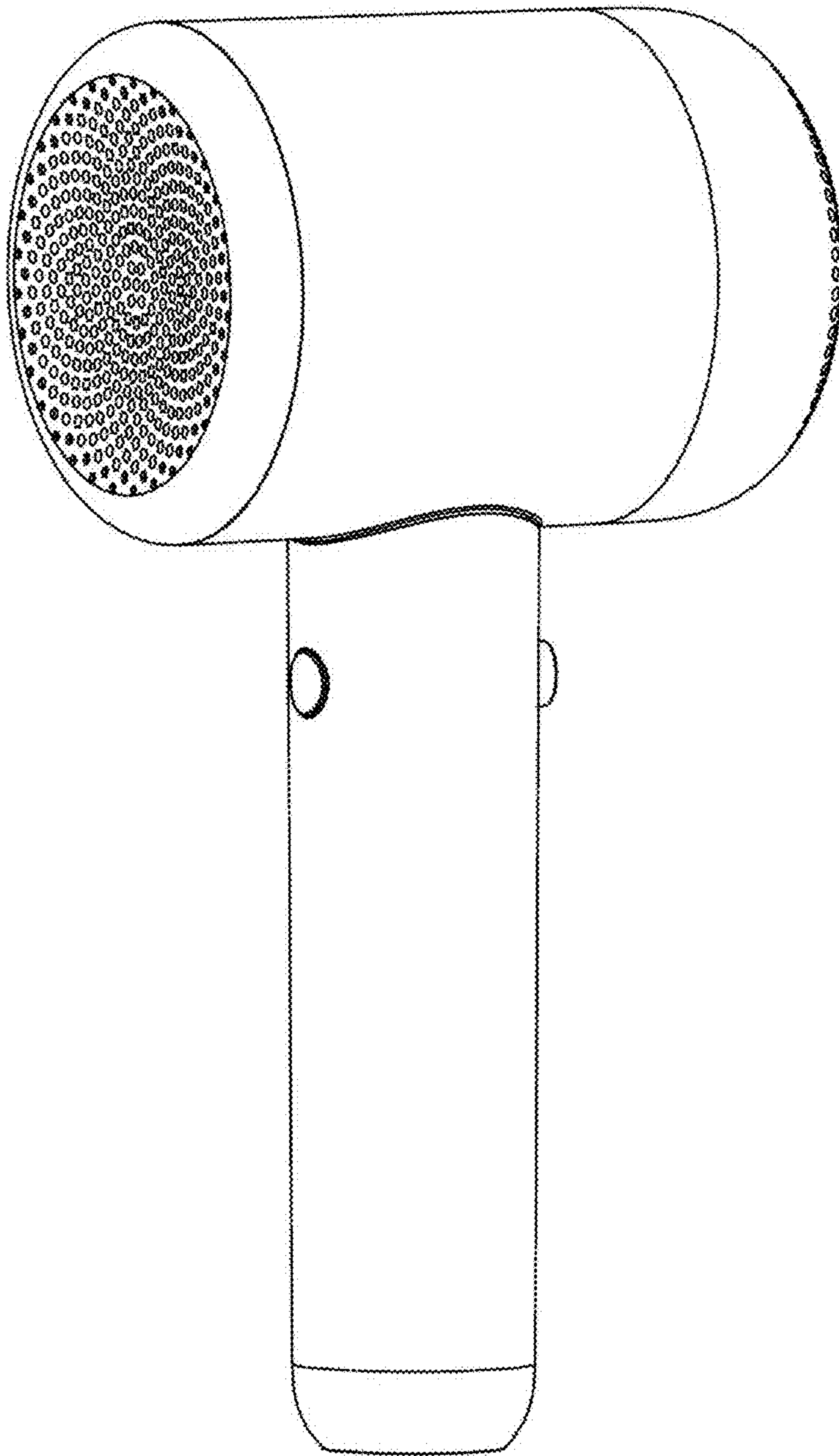


Fig. 5

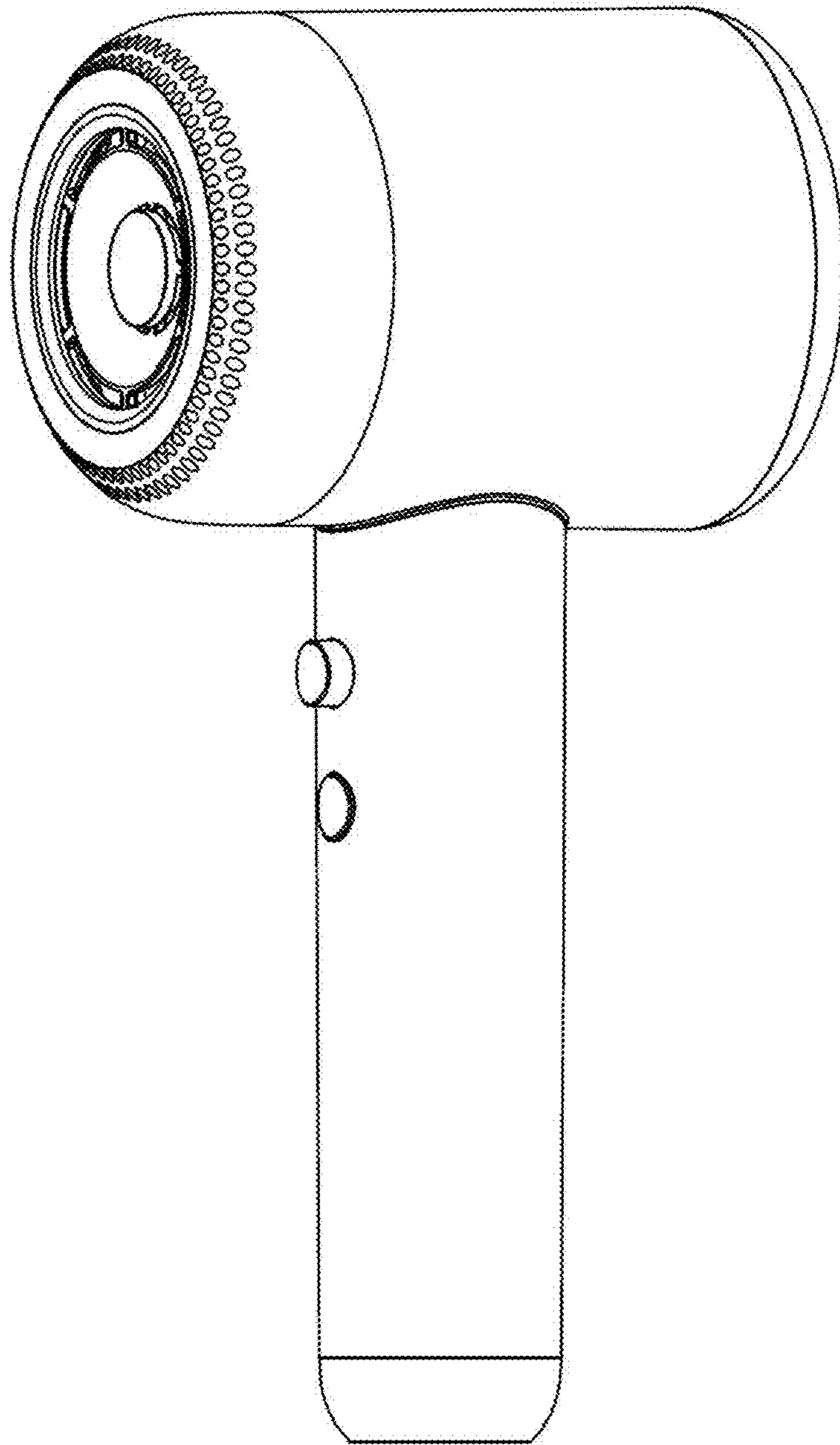


Fig. 6

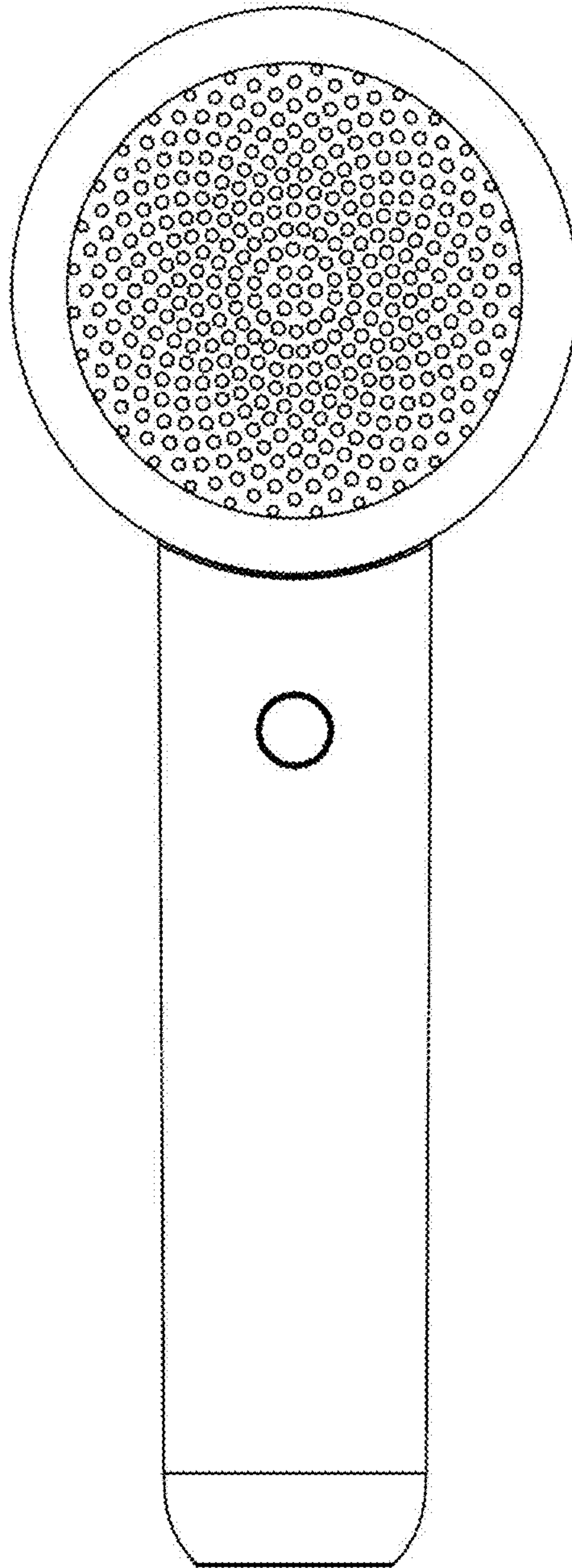


Fig. 7

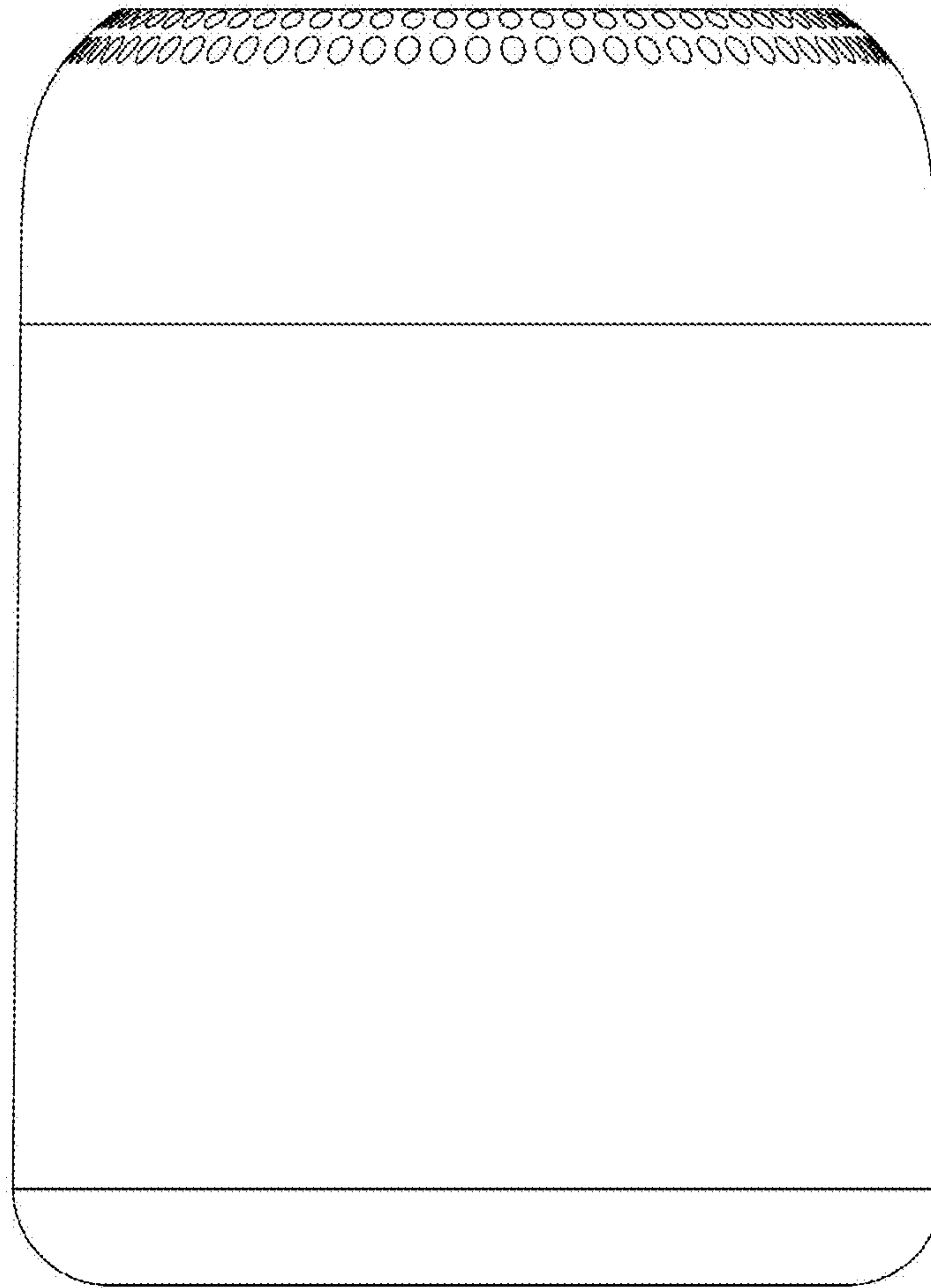


Fig. 8