



US00D933290S

(12) **United States Design Patent** (10) **Patent No.:** **US D933,290 S**
Thomason et al. (45) **Date of Patent:** **** Oct. 12, 2021**

(54) **VACUUM ASSISTED SYSTEM FOR GROOMING HAIR**

D901,109 S * 11/2020 Chen D32/18
D913,587 S * 3/2021 Thomason D28/15
D913,611 S * 3/2021 Ma D32/21

(71) Applicant: **RevAir, LLC**, Macedonia, OH (US)

* cited by examiner

(72) Inventors: **Scott Thomason**, Macedonia, OH (US);
Lou Monaco, South Euclid, OH (US);
Todd M. Bradford, Orrville, OH (US)

Primary Examiner — Zenia I Bennett

(74) *Attorney, Agent, or Firm* — Benesch, Friedlander,
Coplan & Aronoff LLP

(73) Assignee: **RevAir, LLC**, Macedonia, OH (US)

(57) **CLAIM**

(**) Term: **15 Years**

What is claimed is the ornamental designs for a vacuum assisted device for grooming hair, as shown and described.

(21) Appl. No.: **29/774,238**

DESCRIPTION

(22) Filed: **Mar. 15, 2021**

Related U.S. Application Data

(62) Division of application No. 29/664,212, filed on Sep. 24, 2018, now Pat. No. Des. 913,587.

(51) **LOC (13) Cl.** **28-03**

(52) **U.S. Cl.**
USPC **D28/12**

(58) **Field of Classification Search**
USPC D28/12-19; D8/29.1; D32/19, 21, 25
CPC A45D 20/00; A45D 20/08; A45D 20/10;
A45D 20/12; A45D 20/122; A45D
20/124; A45D 2020/128
See application file for complete search history.

FIG. 1 is a perspective view of a vacuum assisted system for grooming hair;
FIG. 2 is a front view of the vacuum assisted system for grooming hair of FIG. 1;
FIG. 3 is a rear view of the vacuum assisted system for grooming hair of FIG. 1;
FIG. 4 is a left side view of the vacuum assisted system for grooming hair of FIG. 1;
FIG. 5 is a right side view of the vacuum assisted system for grooming hair of FIG. 1;
FIG. 6 is a top view of the vacuum assisted system for grooming hair of FIG. 1; and,
FIG. 7 is a bottom view of the vacuum assisted system for grooming hair of FIGURE.

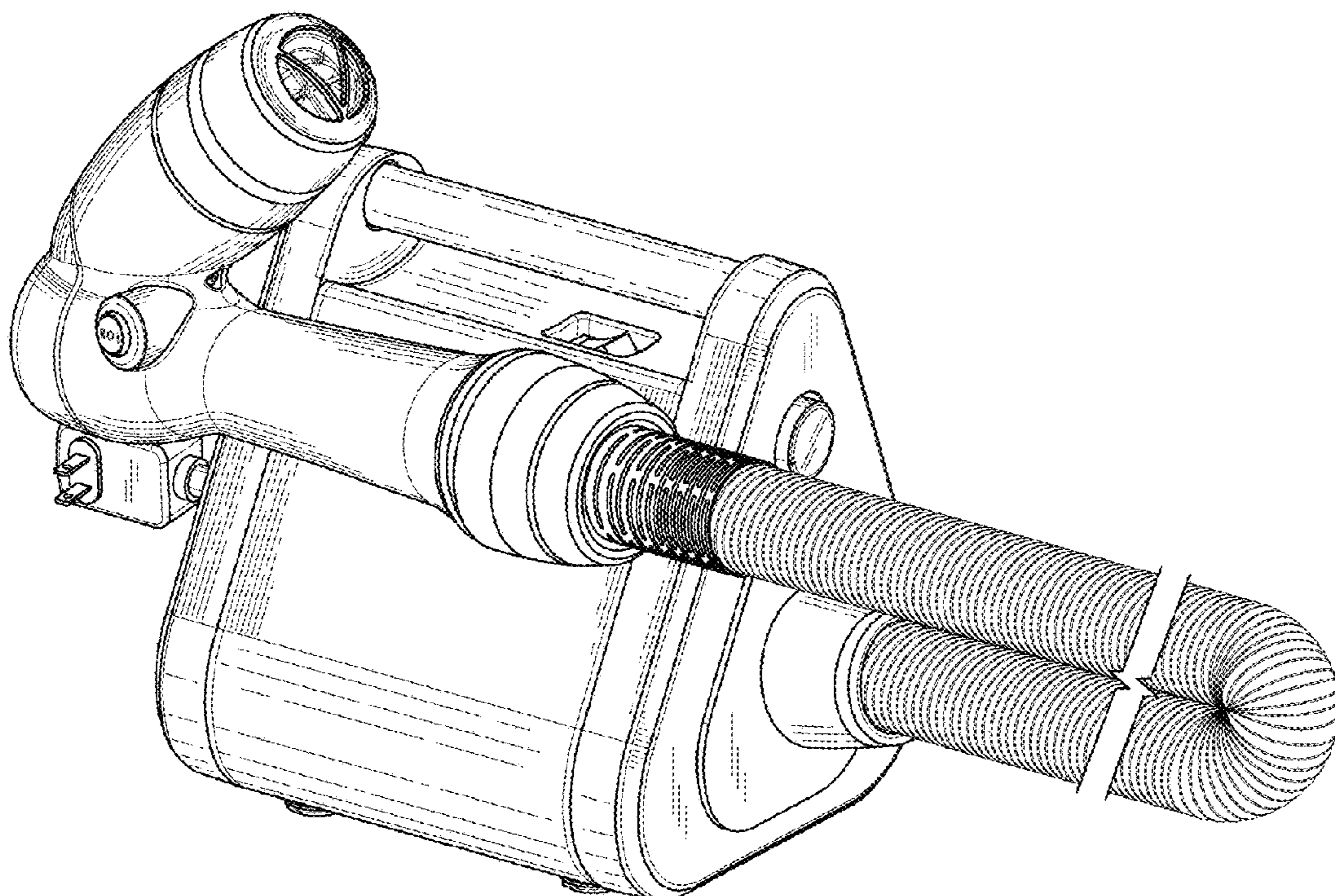
Any break lines are for convenience of viewing, and the appearance of any portion of the vacuum assisted system for grooming hair between the break lines forms no part of the claimed design. Further, no lines, shading or other effects are meant to be indicative of any specified colors.

(56) **References Cited**

U.S. PATENT DOCUMENTS

D305,464 S * 1/1990 Rickard D28/12
D315,234 S * 3/1991 Frisell D32/21

1 Claim, 7 Drawing Sheets



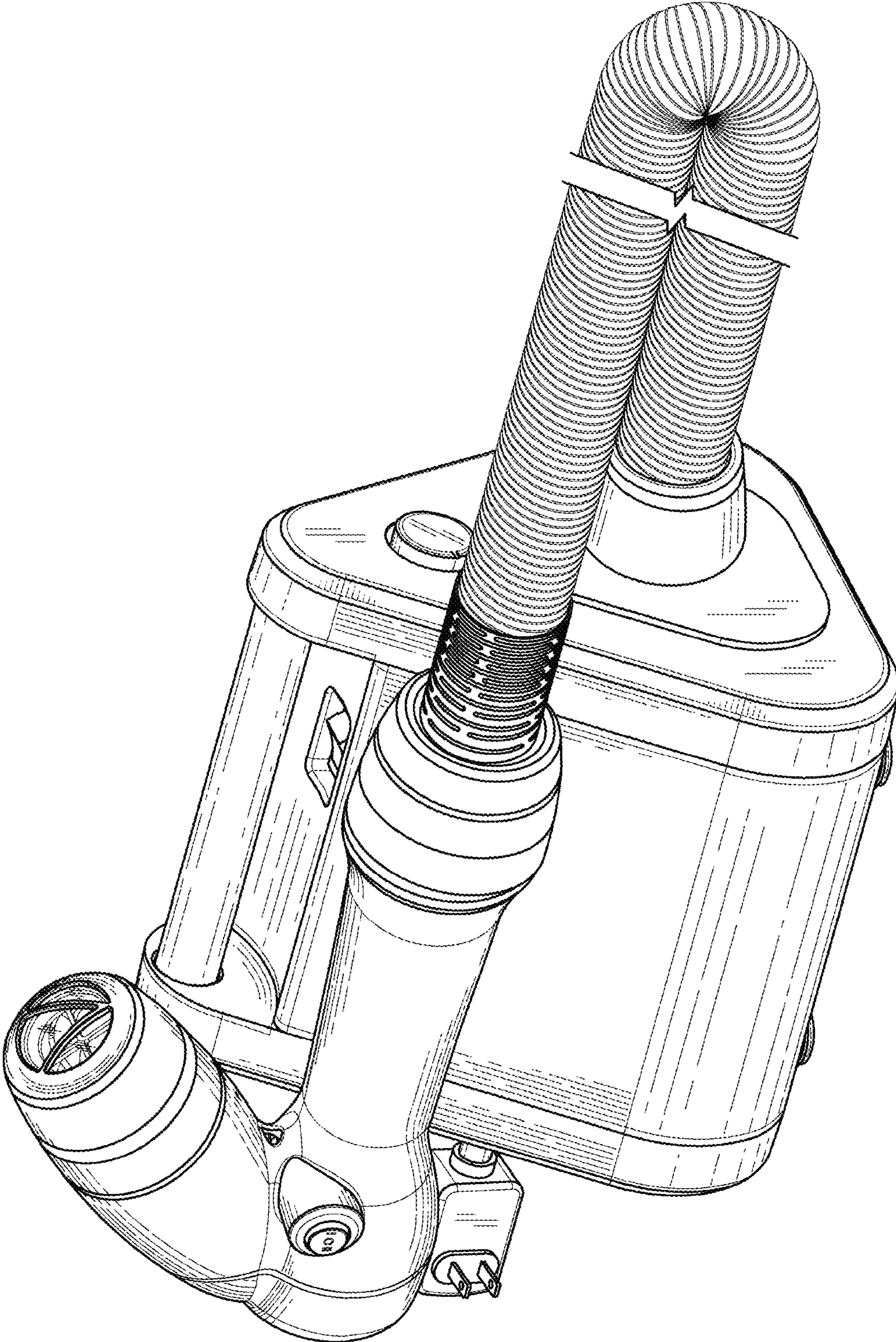


FIG. 1

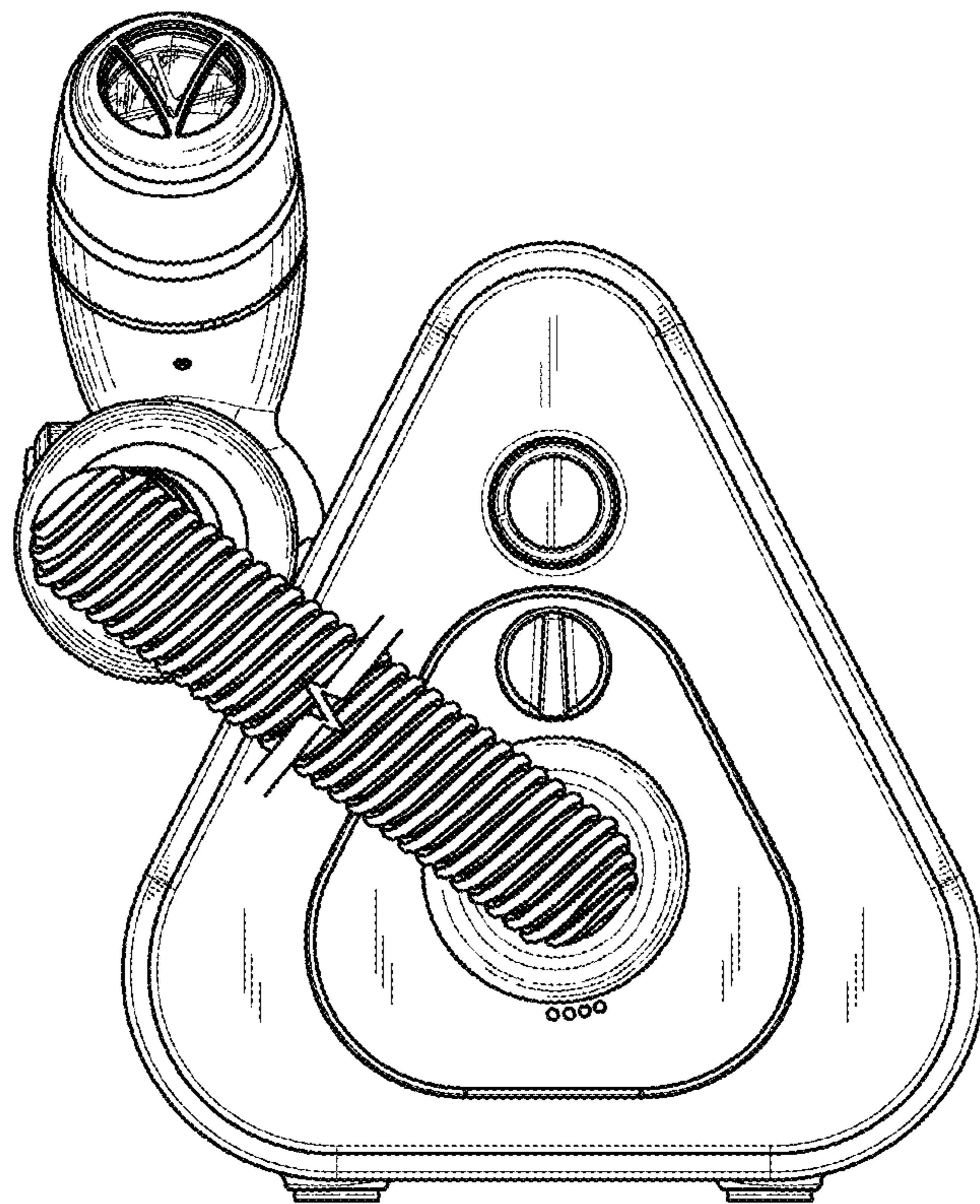


FIG. 2

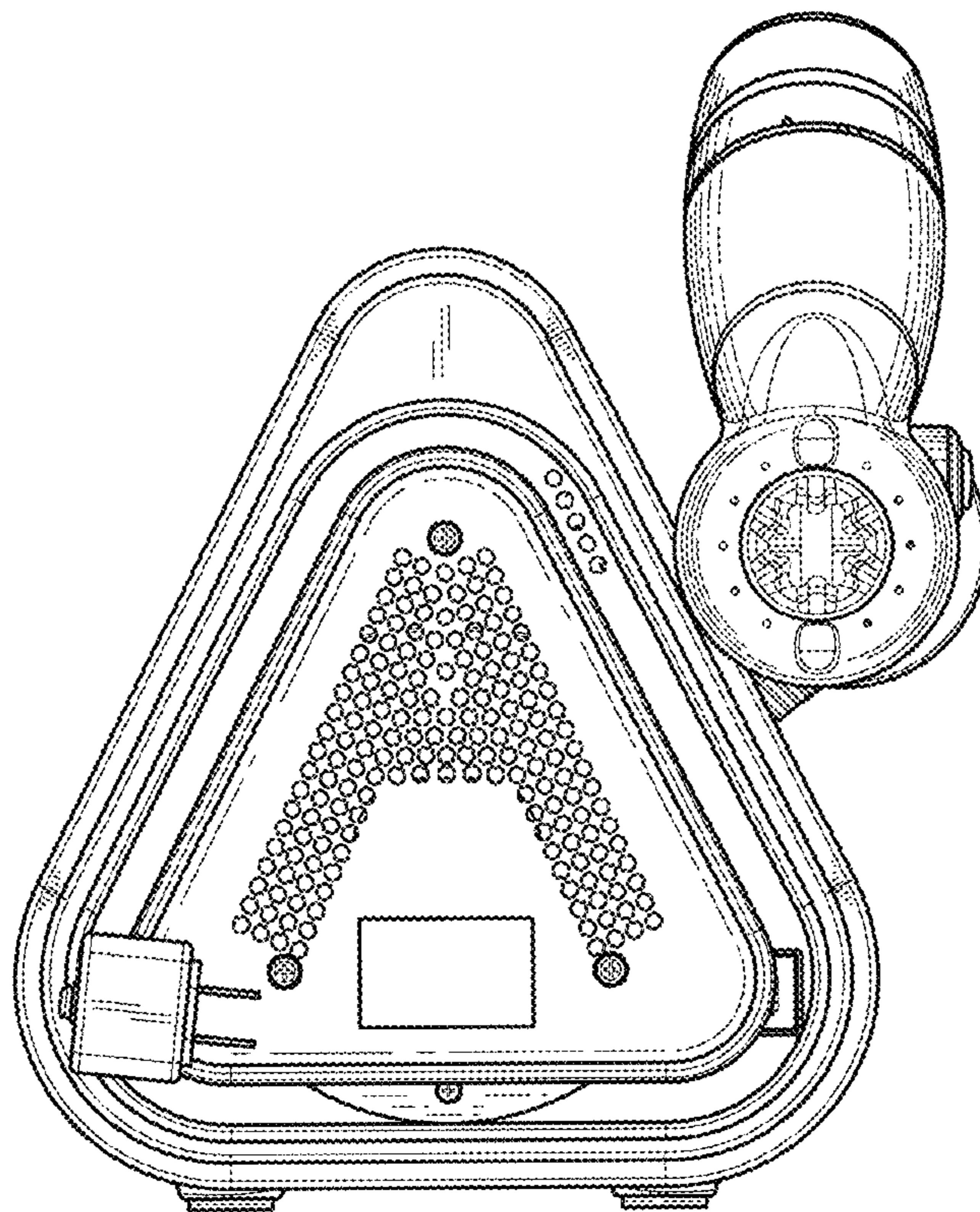


FIG. 3

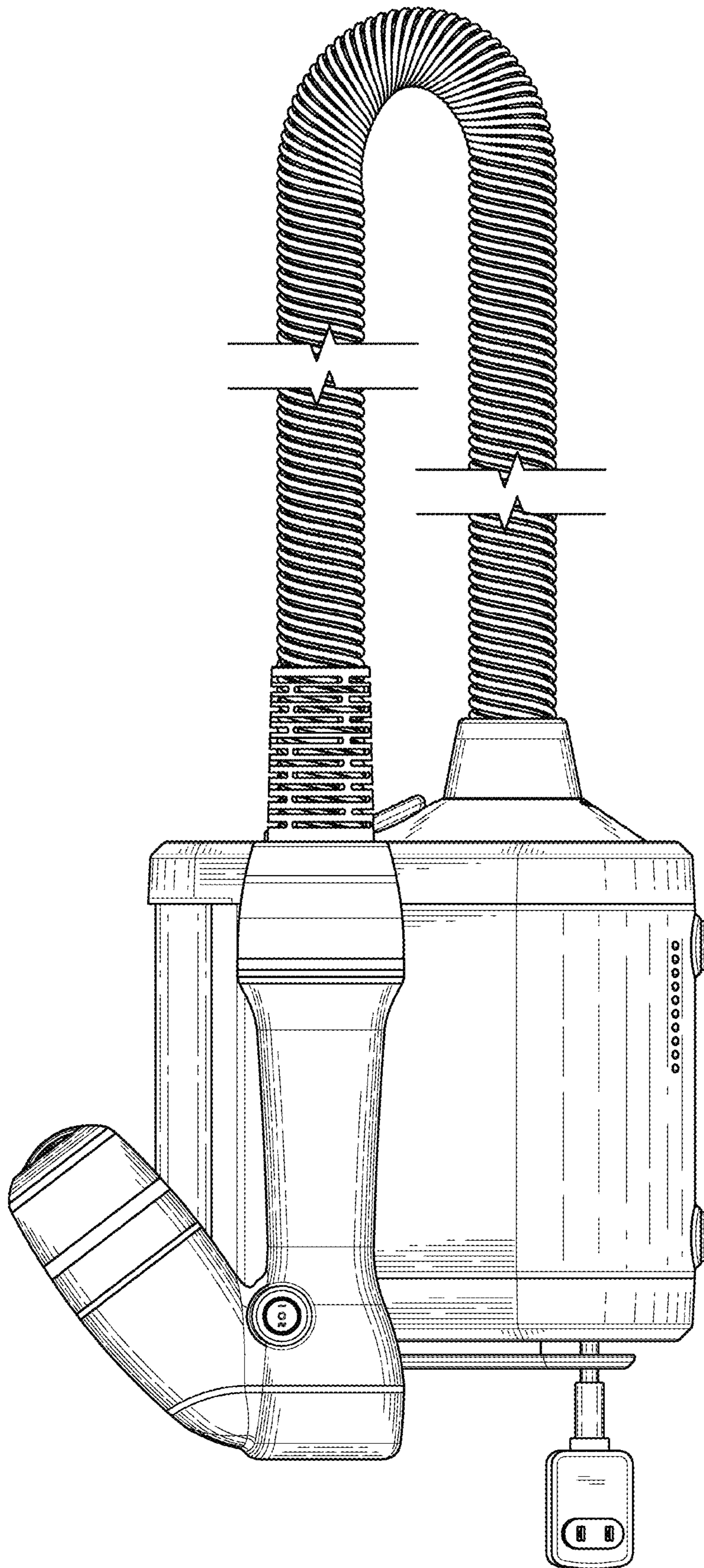


FIG. 4

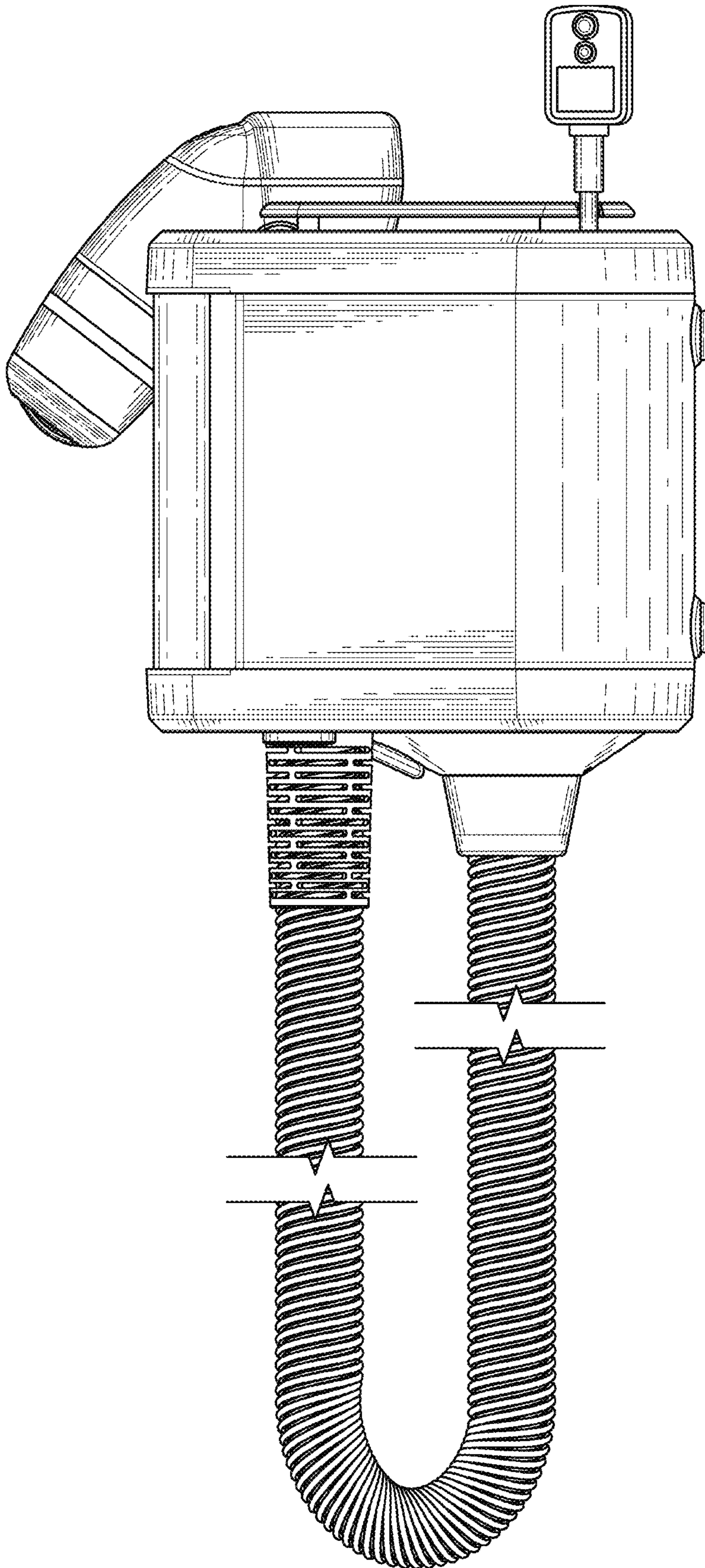


FIG. 5

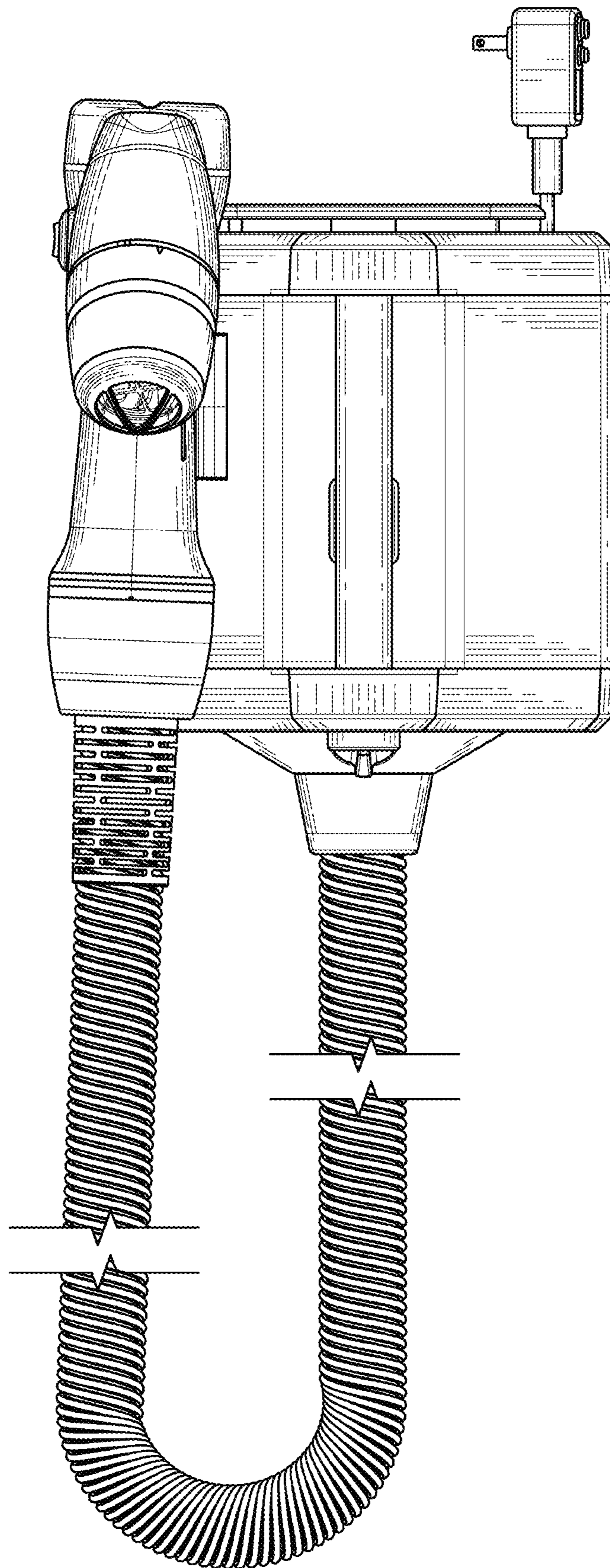


FIG. 6

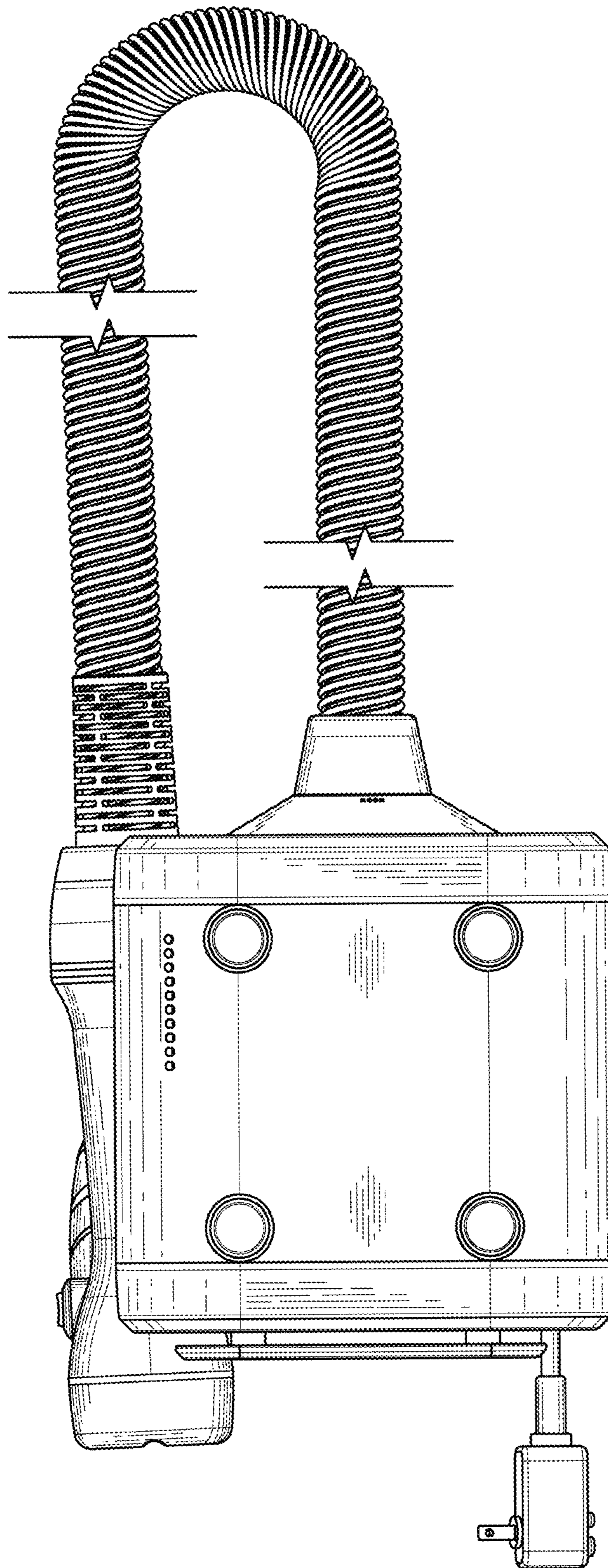


FIG. 7