



US00D933287S

(12) **United States Design Patent**  
**Cheung et al.**

(10) **Patent No.:** **US D933,287 S**

(45) **Date of Patent:** **\*\* Oct. 12, 2021**

(54) **VAPORIZER DEVICE DOCK**

(71) Applicant: **JUUL Labs, Inc.**, San Francisco, CA (US)

(72) Inventors: **Brandon Cheung**, San Francisco, CA (US); **Andrew L. Murphy**, San Francisco, CA (US); **John Travis Wettroth**, San Francisco, CA (US); **Ryan M. Wolff**, San Francisco, CA (US); **Jeffrey M. Quackenbush**, San Francisco, CA (US)

(73) Assignee: **JUUL Labs, Inc.**, San Francisco, CA (US)

(\*\*) Term: **15 Years**

(21) Appl. No.: **29/730,160**

(22) Filed: **Apr. 1, 2020**

(51) **LOC (13) Cl.** ..... **27-02**

(52) **U.S. Cl.**  
USPC ..... **D27/162**; D27/172; D27/186; D13/107

(58) **Field of Classification Search**  
USPC ..... D27/100, 101, 102, 103, 106, 108, 109, D27/110, 111, 117, 120, 125, 126, 127, D27/128, 129, 139, 141, 142, 143, 144, D27/147, 148, 154, 162, 163, 164, 165, D27/166, 167, 168, 169, 170, 171, 172, D27/173, 174, 175, 176, 177, 178, 179, D27/180, 181, 182, 183, 184, 185, 186, D27/187, 188, 189, 190, 191, 192, 193, D27/194, 196; D24/110, 110.4, 110.5, D24/110.6, 113; D28/91.1, 73, 76, 77; D23/360, 362; D13/107, 108, 103, 119; D14/240; D7/500, 550.1  
CPC ..... A24F 40/10; A24F 40/40; A24F 40/42; A24F 40/44; A24F 40/60; A24F 40/53; A24F 40/70; A24F 40/57; A24F 40/20; A24F 40/30; A24F 47/00; A24F 13/00; A24F 13/14; A24F 1/32; A24F 47/002;

A24F 15/015; A24F 13/06; A24F 40/48; A24F 13/04; A24F 40/00; A24F 40/90; A24F 42/80; A24F 40/485; A24F 40/46; A24F 47/008; A24F 40/05; A24F 7/00; A24F 40/465; A24F 1/00; A24F 7/02; A24F 9/16; A24F 40/50; A24F 40/65; A24F 40/51; A24F 40/95; A24F 40/49; A24F 42/60; A24F 1/02; A24F 2700/03; A24F 15/01; A24F 1/28; A24F 40/85; A24F 42/00; A24F 42/10; A24F 42/20; A24F 47/004; A24F 47/006; A24F 7/04

See application file for complete search history.

(56) **References Cited**

U.S. PATENT DOCUMENTS

D35,475 S \* 12/1901 Springer ..... D7/550.1  
D595,265 S \* 6/2009 Andre ..... D14/217  
D614,023 S \* 4/2010 Amos ..... D9/416

(Continued)

*Primary Examiner* — Marissa J Cash

*Assistant Examiner* — William B Melliar

(74) *Attorney, Agent, or Firm* — Mintz, Levin, Cohn, Ferris, Glovsky and Popeo, P.C.

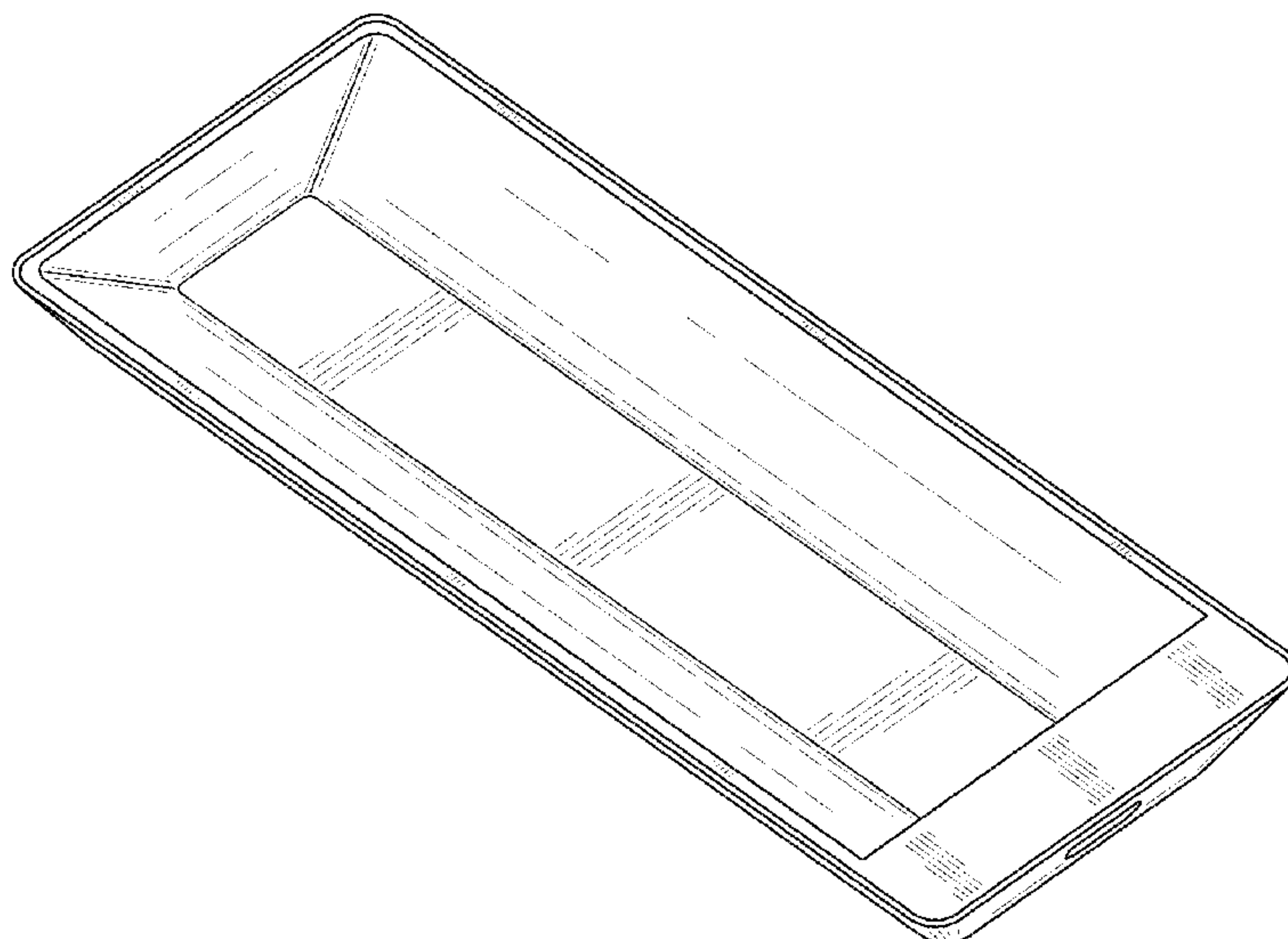
(57) **CLAIM**

The ornamental design for a vaporizer device dock, as shown and described.

**DESCRIPTION**

FIG. 1 is a bottom, front, and left side perspective view of a vaporizer device dock showing our new design; FIG. 2 is a top, front, and right side perspective view thereof; FIG. 3 is a front view thereof; FIG. 4 is a rear view thereof; FIG. 5 is a left side view thereof; FIG. 6 is a right side view thereof; FIG. 7 is a top view thereof; and, FIG. 8 is a bottom view thereof.

**1 Claim, 6 Drawing Sheets**



(56)

**References Cited**

## U.S. PATENT DOCUMENTS

D710,795 S *	8/2014	Gupta .....	D13/103
D711,312 S *	8/2014	Tien .....	D13/103
D737,509 S *	8/2015	Now .....	D27/194
D763,204 S *	8/2016	Ikegaya .....	D13/168
D805,471 S *	12/2017	Fluckiger .....	D13/107
D806,312 S *	12/2017	Leon .....	D27/183
D834,248 S *	11/2018	Cordani .....	D27/172
D863,677 S *	10/2019	Chung .....	D27/172
D867,281 S *	11/2019	Berry .....	D13/108
D869,088 S *	12/2019	Kesselman .....	D27/194
D872,690 S *	1/2020	Williams .....	D13/108
D883,923 S *	5/2020	Keferstein .....	D13/108
D889,035 S *	6/2020	Cheung .....	D27/186
D889,739 S *	7/2020	Ringrose .....	D27/186
D892,732 S *	8/2020	Akana .....	D13/108
D897,952 S *	10/2020	Liu .....	D13/108
D900,734 S *	11/2020	Liu .....	D13/108
2019/0230985 A1 *	8/2019	Chan .....	H02J 7/00

\* cited by examiner

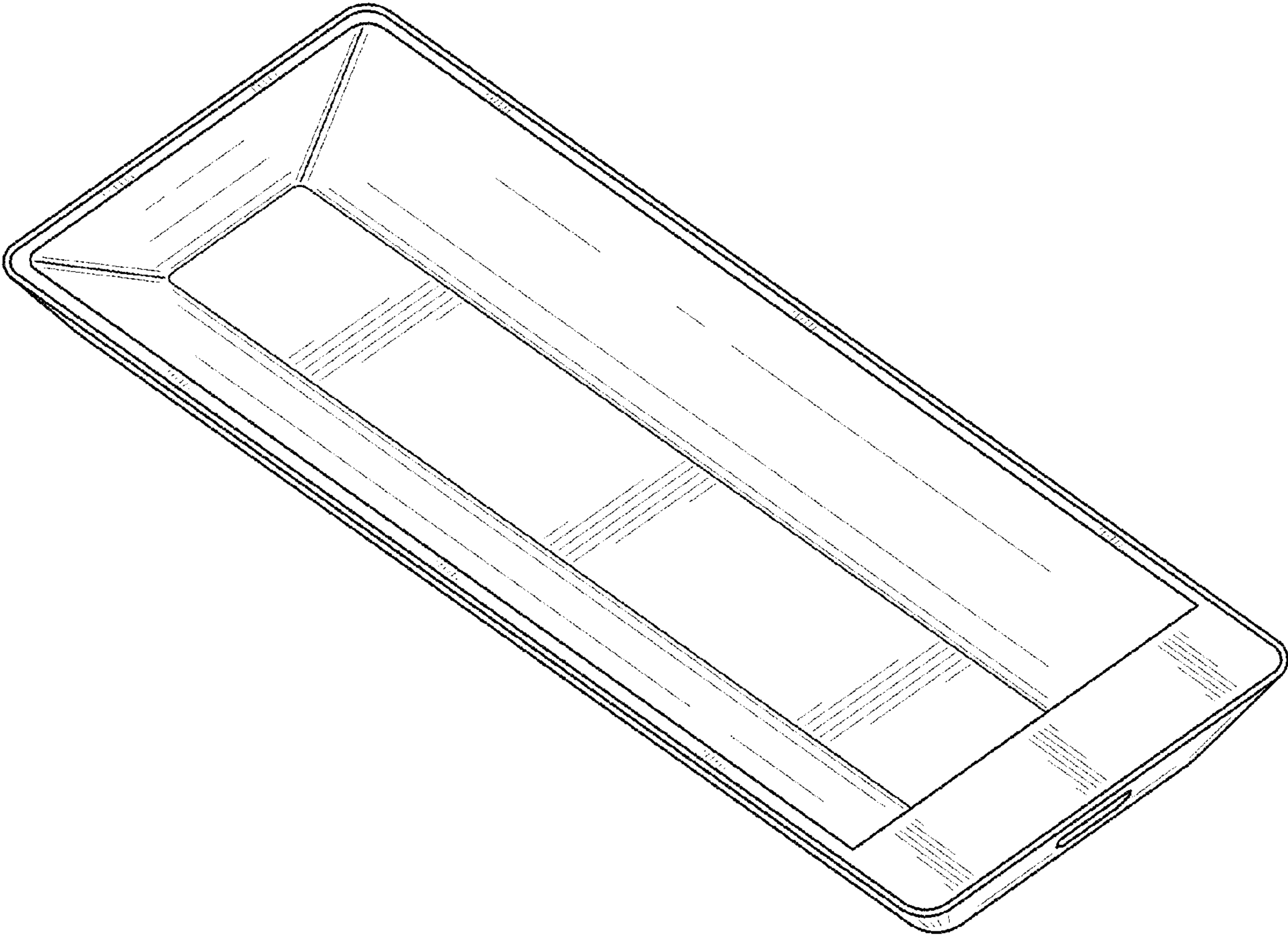


FIG. 1

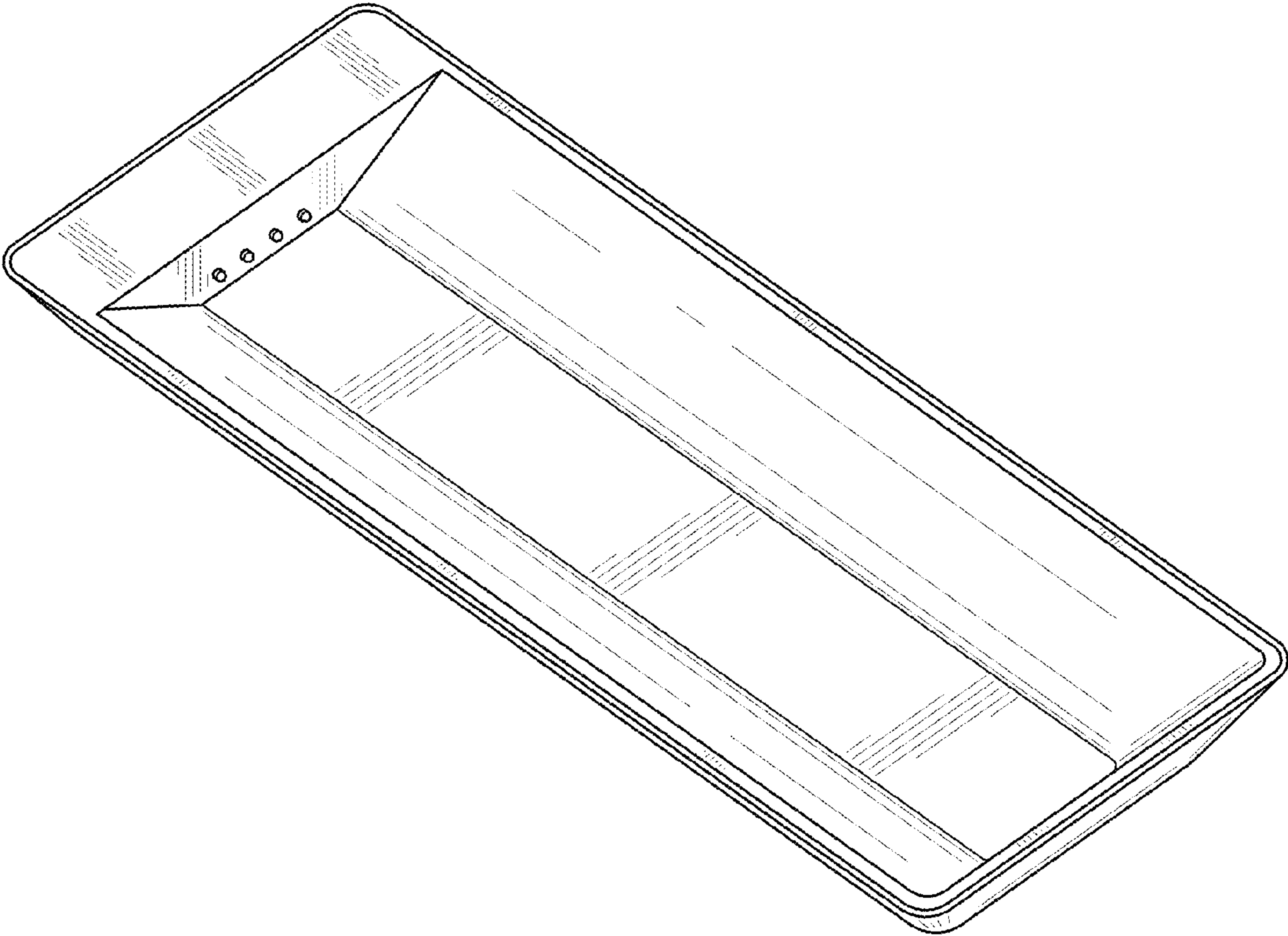


FIG. 2



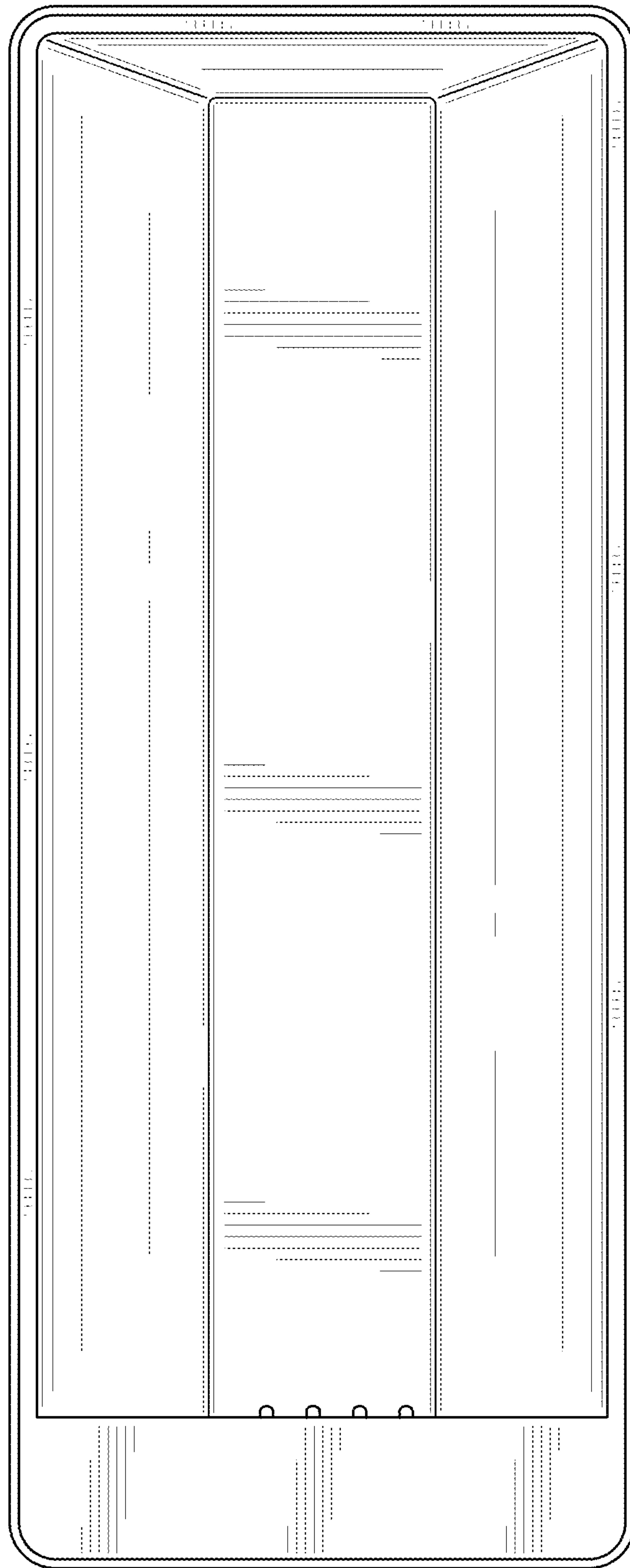


FIG. 3

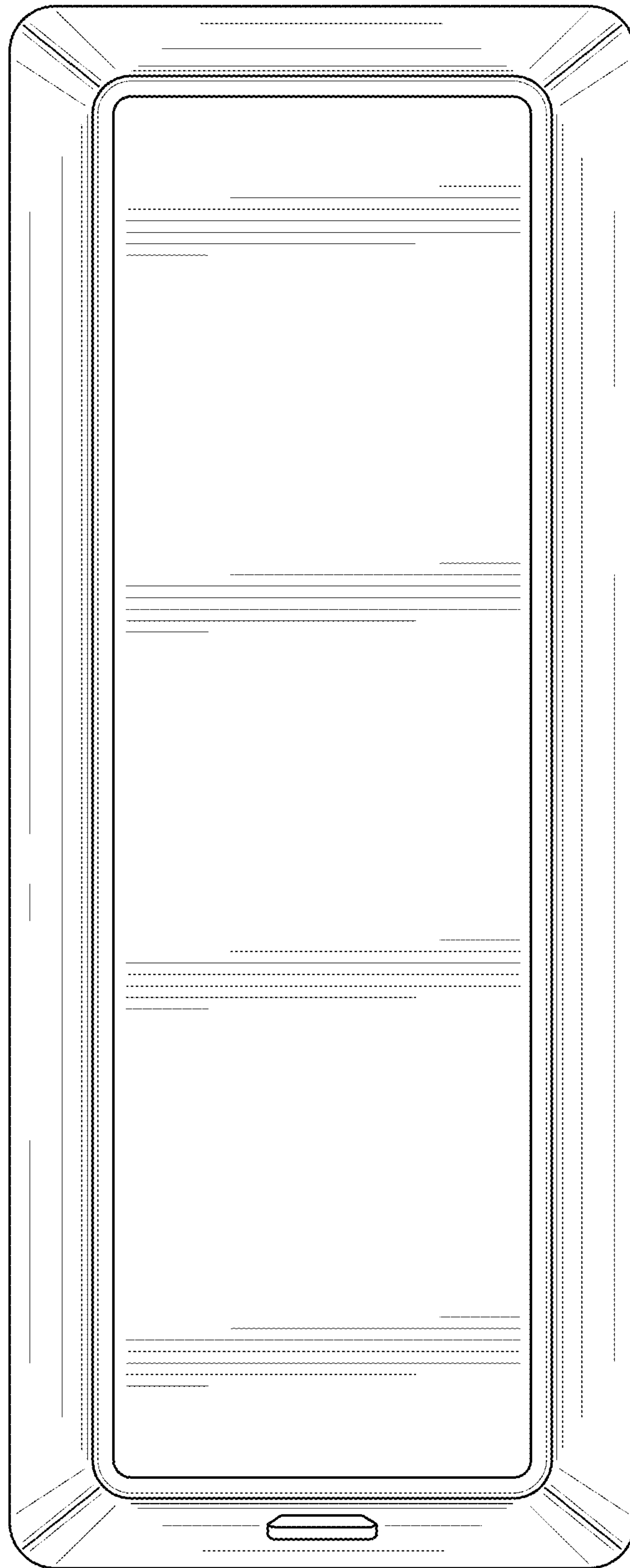


FIG. 4

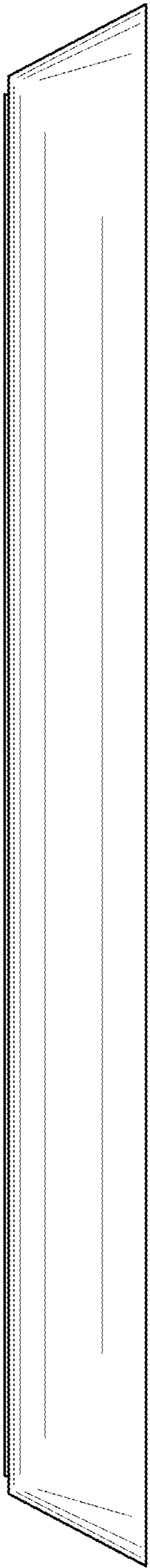


FIG. 5

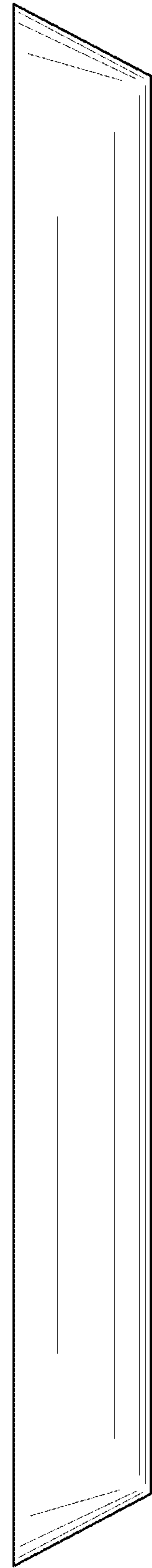


FIG. 6

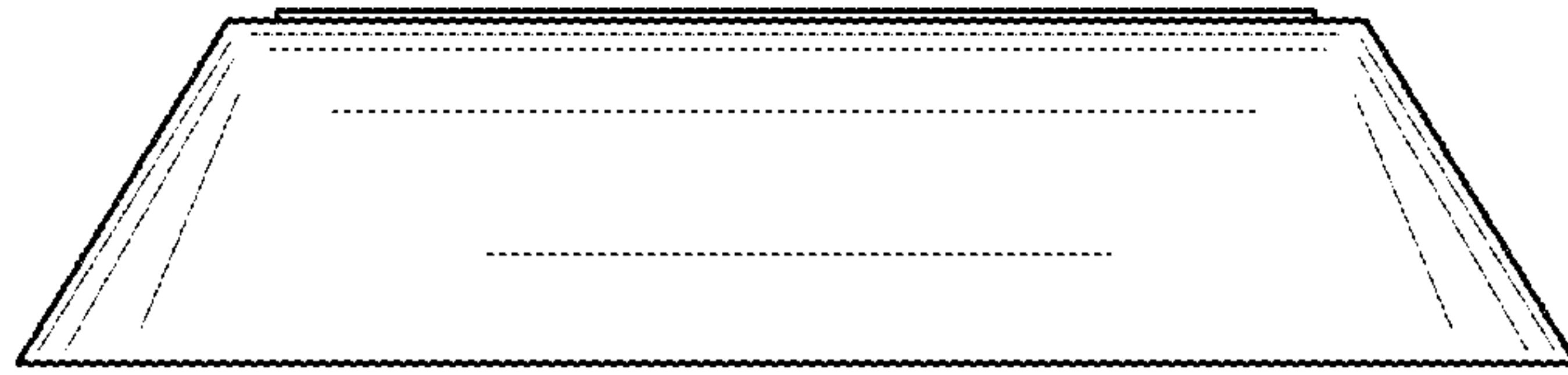


FIG. 7

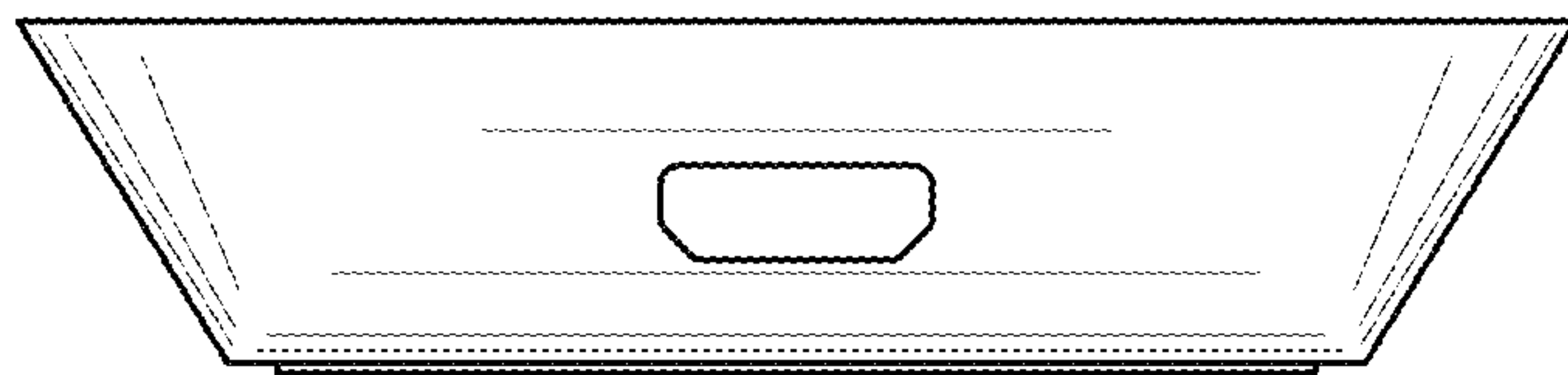


FIG. 8