



US00D933286S

(12) **United States Design Patent** (10) **Patent No.:** **US D933,286 S**
Weiss et al. (45) **Date of Patent:** **** Oct. 12, 2021**

(54) **VAPORIZER CARTRIDGE**
(71) Applicant: **Pax Labs, Inc.**, San Francisco, CA (US)
(72) Inventors: **Alexander Weiss**, Oakland, CA (US); **David Carlberg**, Portland, OR (US); **Timothy McFarland**, San Francisco, CA (US); **Devin Spratt**, Sunnyvale, CA (US)
(73) Assignee: **PAX Labs, Inc.**, San Francisco, CA (US)
(**) Term: **15 Years**
(21) Appl. No.: **29/702,220**
(22) Filed: **Aug. 16, 2019**
(51) **LOC (13) Cl.** **27-02**
(52) **U.S. Cl.**
USPC **D27/162**
(58) **Field of Classification Search**
USPC D27/162, 163-170, 101, 100, 172, D27/174-176, 173, 185-194; D13/103, D13/107; D23/360, 363, 366; D24/110, D24/100.5
CPC A24F 1/30; A24F 1/02; A24F 1/00; A24F 47/008; A24F 47/002
See application file for complete search history.

D689,818 S * 9/2013 Sasada D13/107
D762,003 S 7/2016 Lomeli
D765,908 S * 9/2016 Zahr D27/187
D770,090 S 10/2016 Zahr et al.
D770,091 S 10/2016 Zahr et al.
(Continued)

FOREIGN PATENT DOCUMENTS

CN 304082697 3/2017
CN 304935886 12/2018
(Continued)

OTHER PUBLICATIONS

<https://www.cleanpng.com/png-pax-labs-vaporizer-electronic-cigarette-head-shop-2054210/> (Feb. 28, 2020).
(Continued)

Primary Examiner — Rebecca Tsehaye
(74) *Attorney, Agent, or Firm* — Mintz, Levin, Cohn, Ferris, Glovsky and Popeo, P.C.

(57) **CLAIM**

The ornamental design for a vaporizer cartridge, as shown and described.

DESCRIPTION

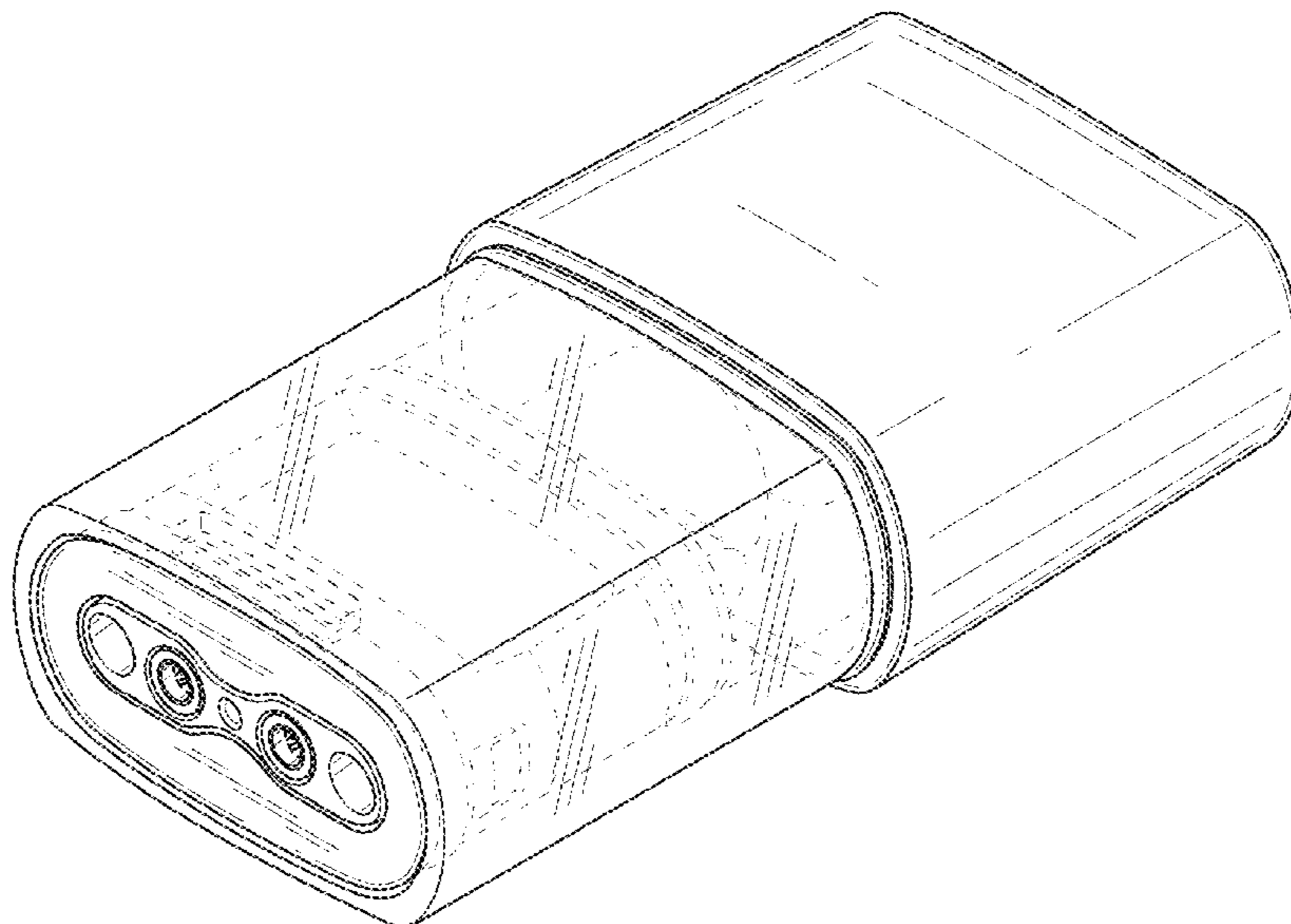
FIG. 1 is a right side, front, and bottom perspective view of a vaporizer cartridge of our design; FIG. 2 is a left side, front, and top perspective view thereof; FIG. 3 is a front view thereof; FIG. 4 is a rear view thereof; FIG. 5 is a right side view thereof; FIG. 6 is a left side view thereof; FIG. 7 is a top view thereof; and, FIG. 8 is a bottom view thereof. The dashed broken lines illustrate portions of the vaporizer cartridge that form no part of the claimed design.

1 Claim, 7 Drawing Sheets

(56) **References Cited**

U.S. PATENT DOCUMENTS

D299,066 S * 12/1988 Newell D24/110
5,044,550 A * 9/1991 Lamm B65B 19/24
229/160.1
D449,404 S * 10/2001 Emery D27/186
D610,303 S 2/2010 Valle
D634,892 S 3/2011 Hein
D677,000 S 2/2013 Liu
D683,844 S * 6/2013 Andrade D24/110



(56)

References Cited

U.S. PATENT DOCUMENTS

D776,338 S	1/2017	Lomeli	
D778,235 S	2/2017	Geier et al.	
D792,643 S	7/2017	Wong et al.	
D799,110 S	10/2017	Qiu	
D812,289 S *	3/2018	Ward	D27/172
D825,102 S	8/2018	Bowen et al.	
D829,371 S	9/2018	Durand	
D829,980 S	10/2018	Qiu	
D836,541 S	12/2018	Lomeli	
D837,446 S	1/2019	Durand	
D842,536 S *	3/2019	Bowen	D27/167
D844,235 S *	3/2019	Cividi	D27/167
D844,240 S	3/2019	Kauss	
D849,996 S *	5/2019	Duque	D27/194
D855,251 S	7/2019	Qiu et al.	
D858,868 S *	9/2019	Bowen	D27/162
D859,735 S	9/2019	Qiu et al.	
D861,975 S	10/2019	Bowen et al.	
D865,276 S	10/2019	Pino et al.	
D865,279 S *	10/2019	Pino	D27/172
D870,368 S *	12/2019	Leon Duque	D27/162
D870,959 S	12/2019	Leon Duque et al.	
D870,961 S *	12/2019	Levinson	D27/162
D877,971 S	3/2020	Bowen et al.	
D887,632 S *	6/2020	Duque	D27/167
D891,692 S	7/2020	Barbaric et al.	
D893,096 S *	8/2020	Leon Duque	D27/194

D894,479 S	8/2020	Cheung et al.	
D895,197 S	9/2020	Cheung et al.	
D898,278 S	10/2020	Carlberg et al.	
D902,480 S *	11/2020	Chen	D27/194
2018/0037381 A1*	2/2018	White	B65D 50/04

FOREIGN PATENT DOCUMENTS

CN	304954368	12/2018
CN	305043010	2/2019
CN	305043011	2/2019
EP	3520055-0001	2/2017
EP	3520055-0002	2/2017
EP	3520055-0003	2/2017
KR	DM_092570-002	2/2017
KR	DM_092571-001	5/2018
KR	300977146000	10/2018
TW	201805033 A	2/2018
TW	201815301 A	5/2018
WO	WO-DM/099741	2/2018

OTHER PUBLICATIONS

<https://www.everyonedoesit.com/products/pax-2-vaporizer> (Jan. 17, 2020).
 Vaporizer Device by: PAX found online Oct. 14, 2020 <https://www.pax.com/products/pax-3?variant=32037937709167&clickid=>.

* cited by examiner

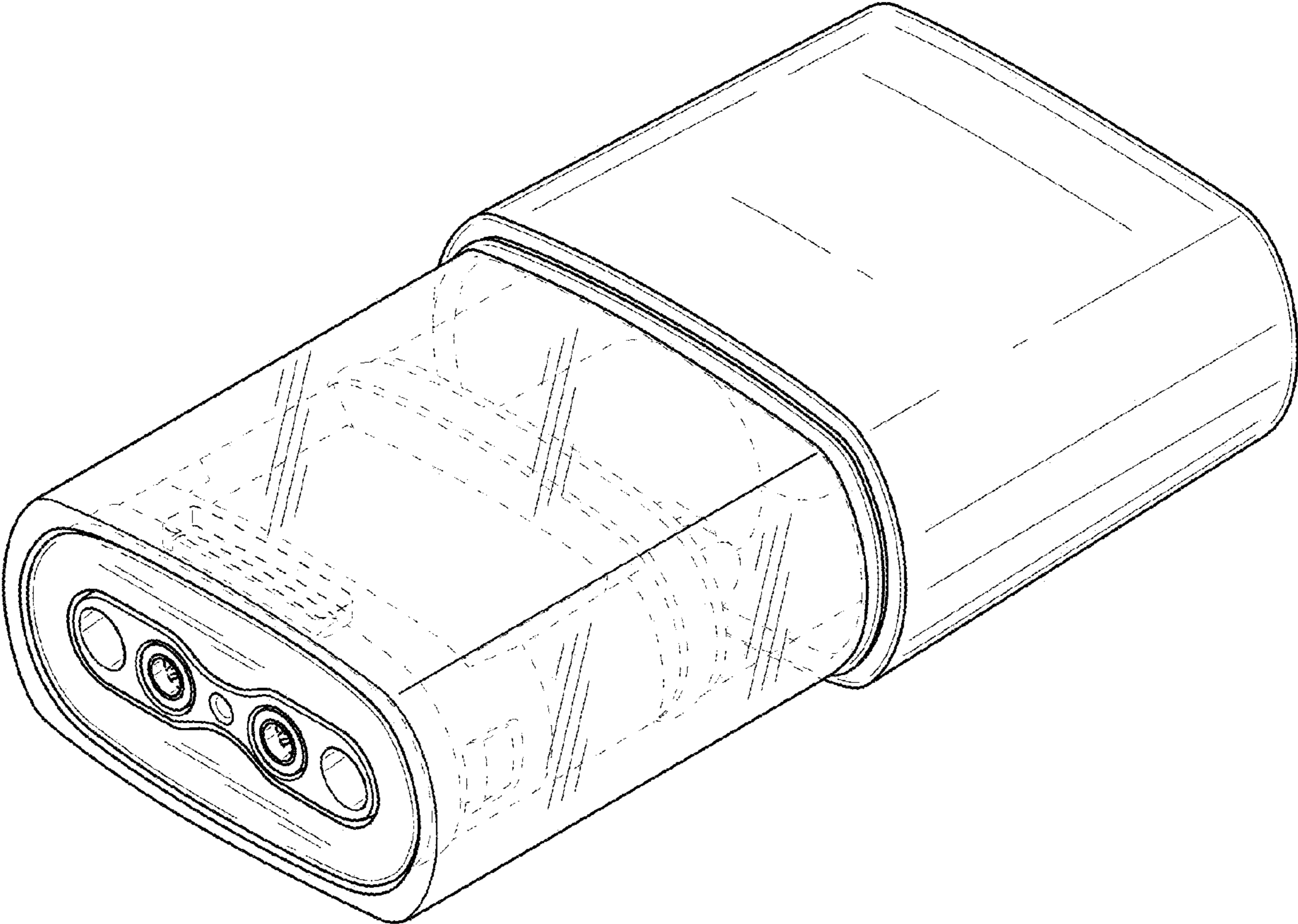


FIG. 1

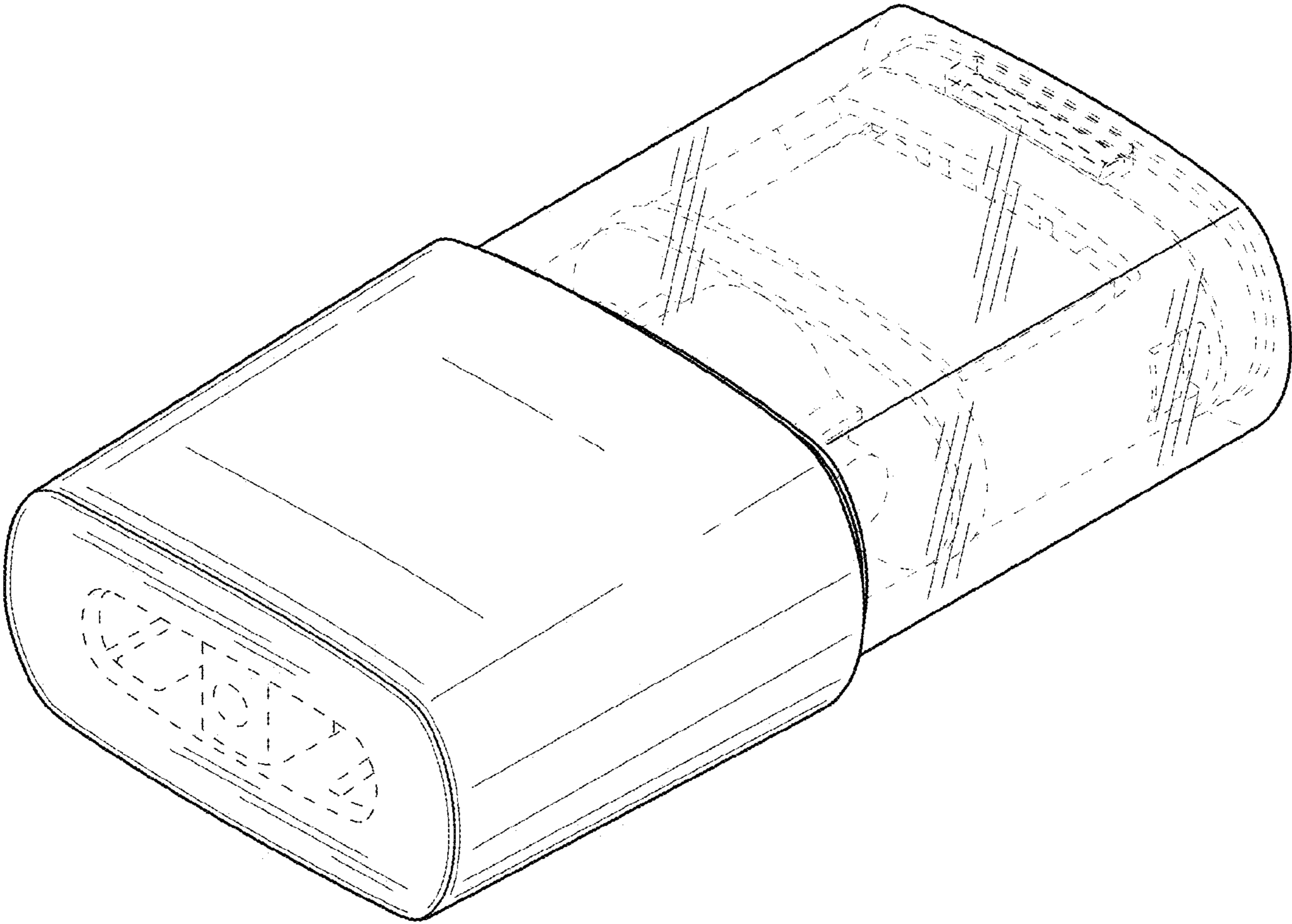


FIG. 2

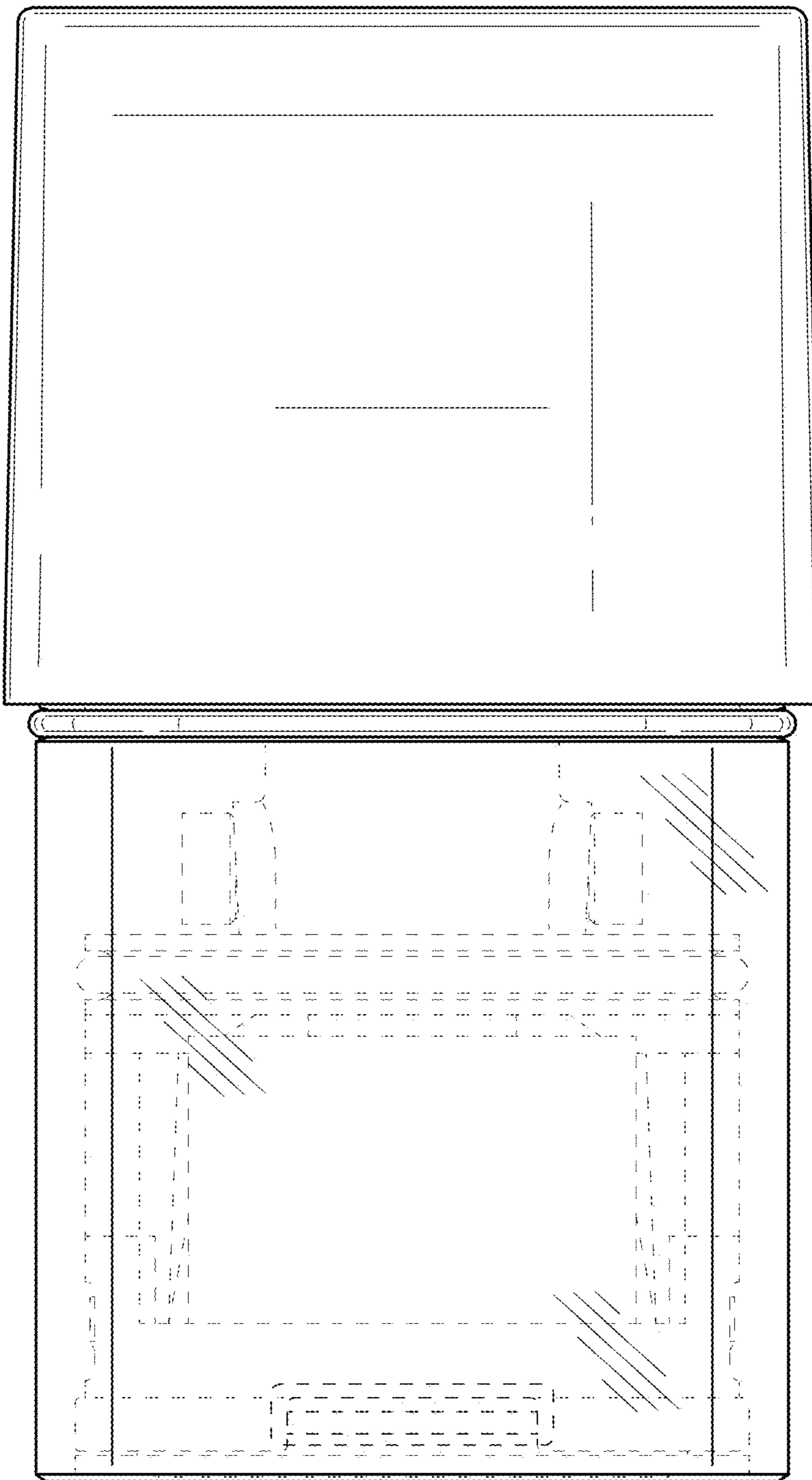


FIG. 3

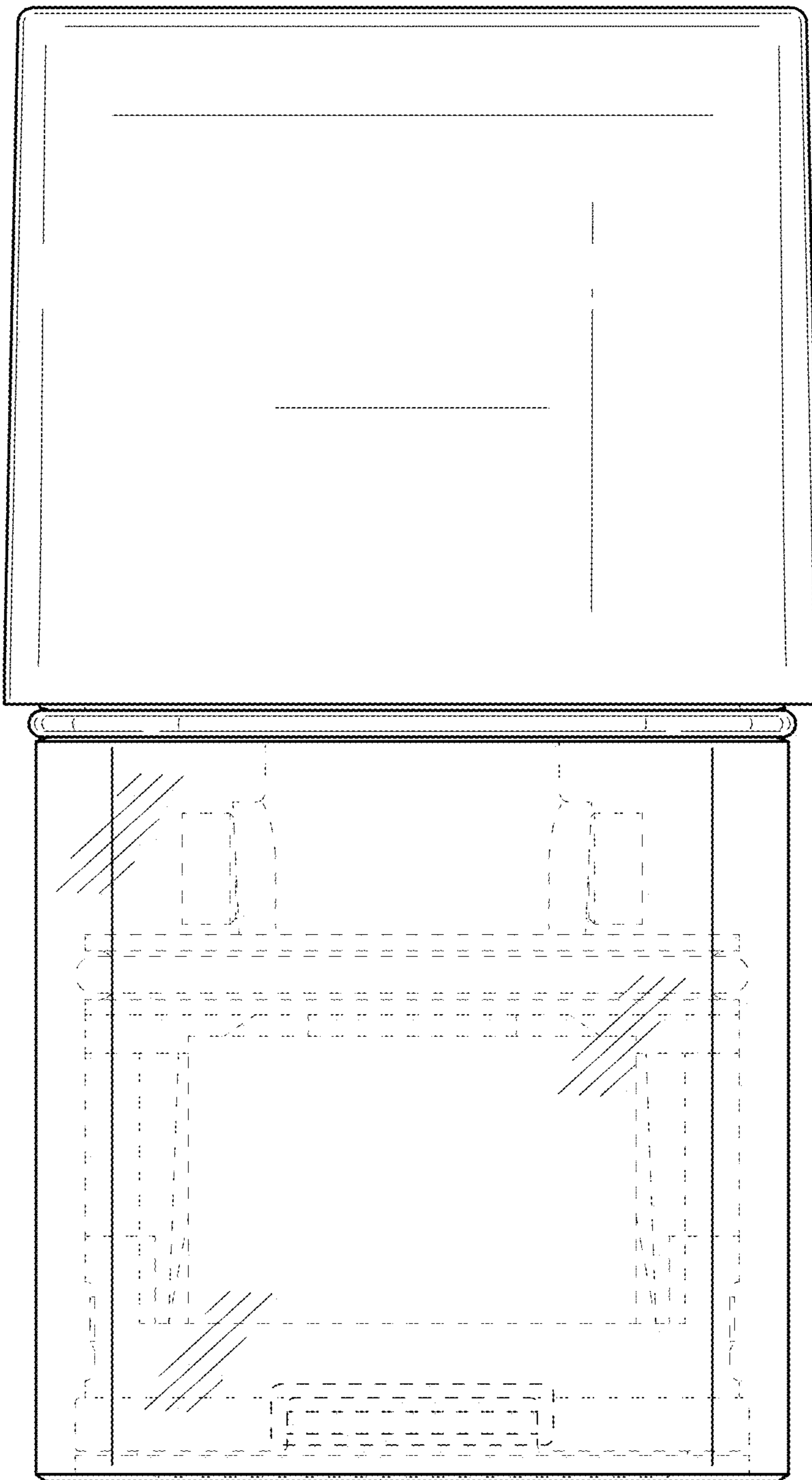


FIG. 4

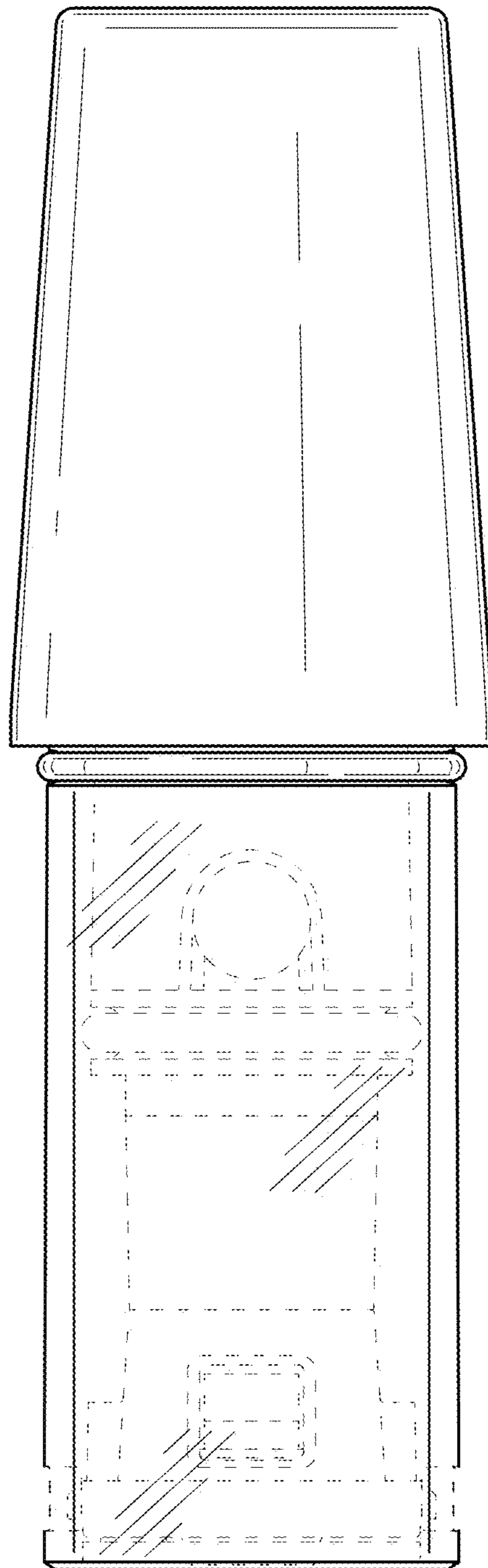


FIG. 5

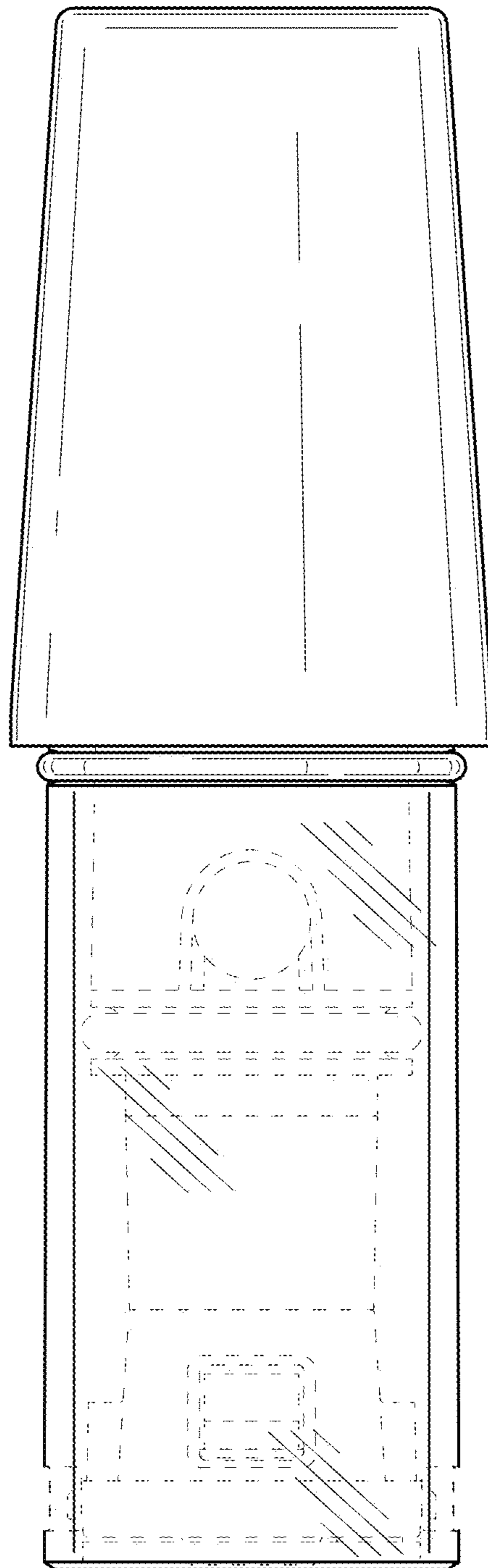


FIG. 6

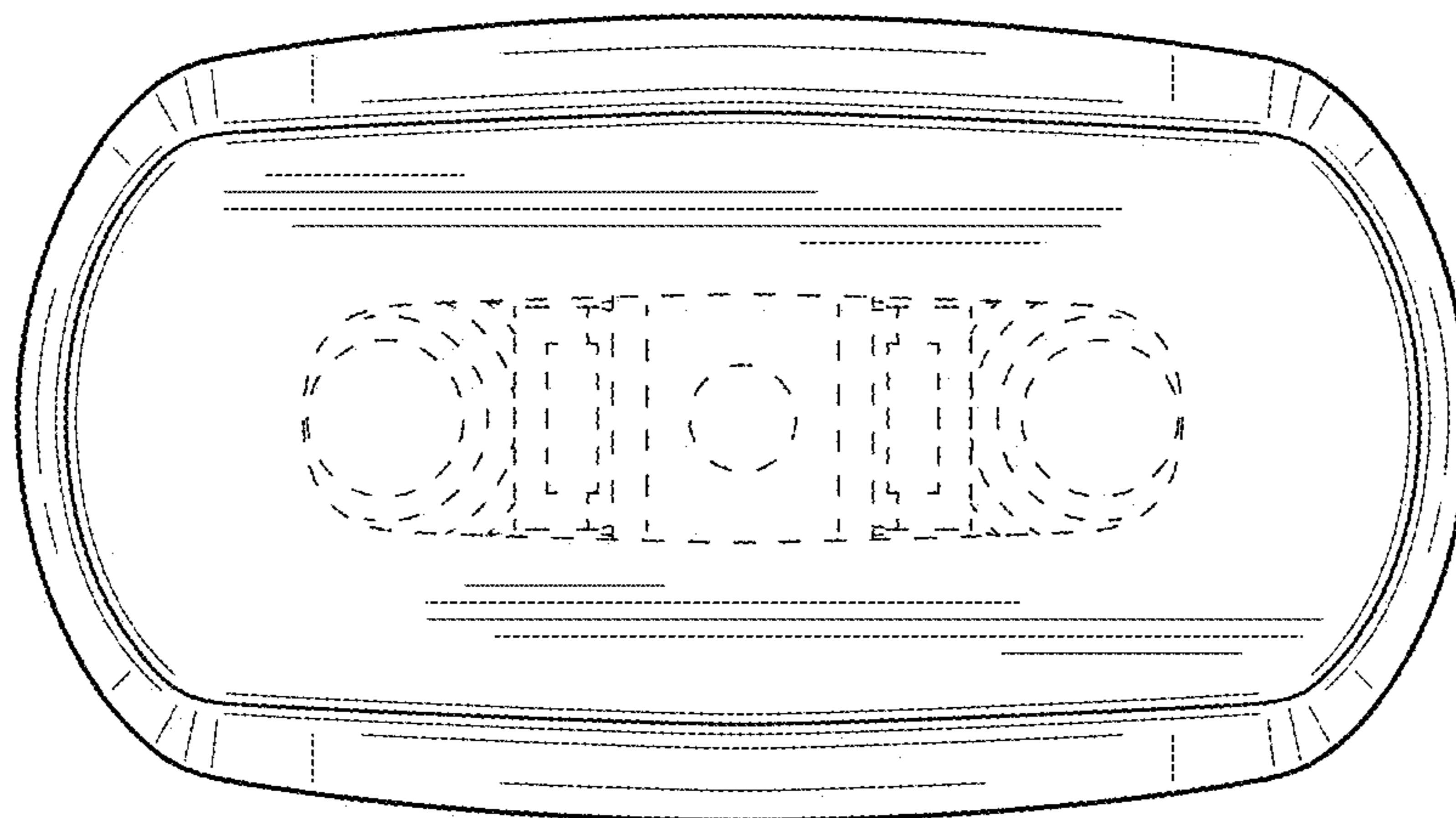


FIG. 7

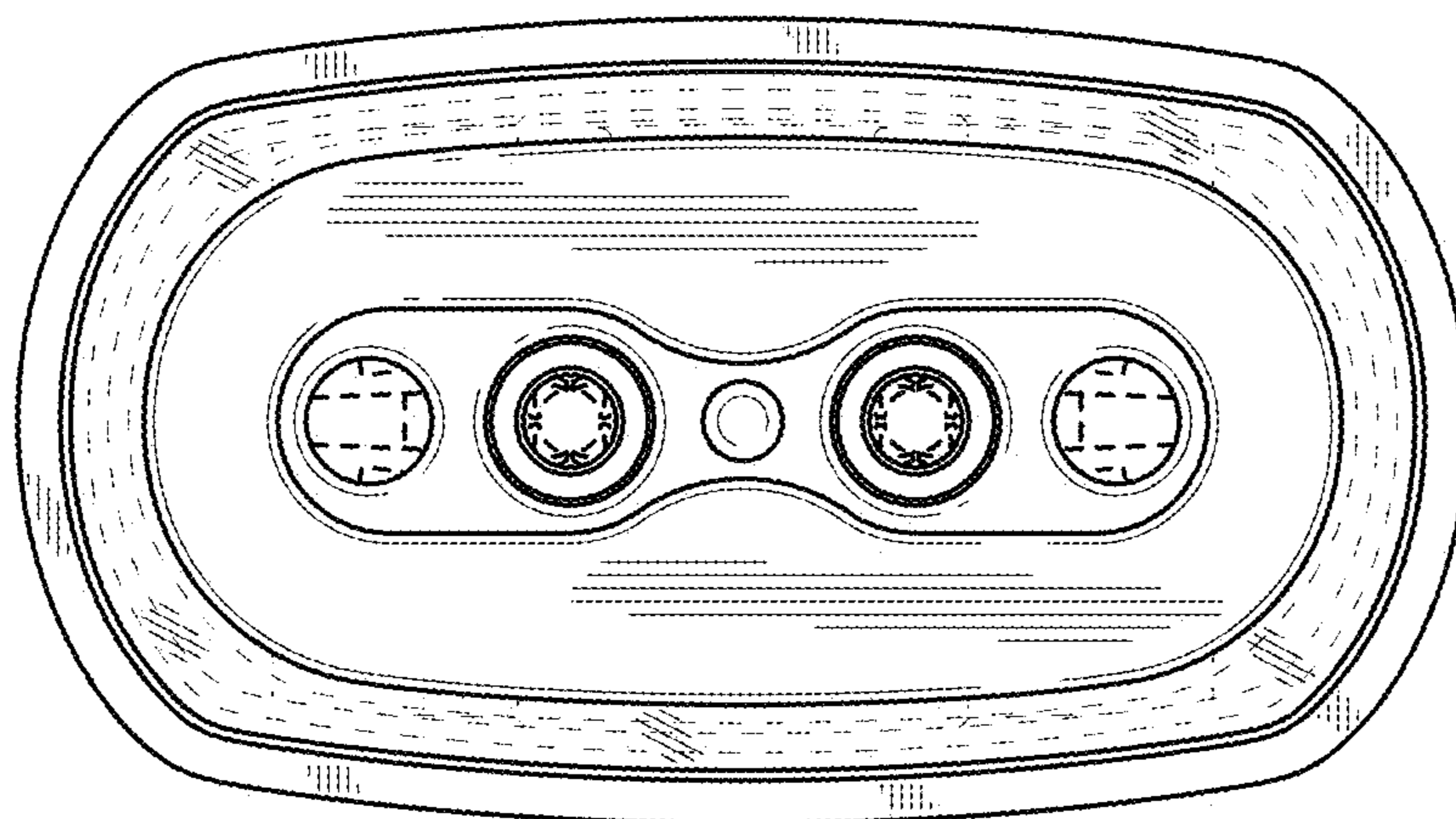


FIG. 8