



US00D933284S

(12) **United States Design Patent** (10) **Patent No.:** **US D933,284 S**  
**Frigière et al.** (45) **Date of Patent:** **\*\* Oct. 12, 2021**

(54) **LIGHTER**

(71) Applicant: **Societe BIC**, Clichy (FR)

(72) Inventors: **René Frigière**, Missillac (FR); **Boy Zhou**, Zhejiang (CN)

(73) Assignee: **Societe BIC**, Clichy (FR)

(\*\*) Term: **15 Years**

(21) Appl. No.: **29/708,701**

(22) Filed: **Oct. 9, 2019**

(30) **Foreign Application Priority Data**

Jul. 12, 2019 (EM) ..... 006624714-0001

(51) **LOC (13) Cl.** ..... **27-05**

(52) **U.S. Cl.**  
USPC ..... **D27/141**; D7/416

(58) **Field of Classification Search**  
USPC ..... D27/139, 141, 142, 143, 144, 145, 147,  
D27/149, 153, 154, 162, 164, 165, 166,  
D27/167, 169, 170, 171; D29/129;  
D7/416, 417  
CPC ... F23Q 2/08; F23Q 2/06; F23Q 2/162; F23Q  
2/287; F23Q 2/34; F23Q 2/161; F23Q  
2/167; F23Q 2/36; F23Q 2/42; F23Q  
2/163; F23Q 2/164; F23Q 2/173; F23Q  
2/32; F23Q 2/40; F23Q 2/46; F23Q 2/48;  
F23Q 2/02; F23Q 2/365; F23Q 2/52;  
F23Q 3/01; F23Q 2/10; F23Q 2/14; F23Q  
2/285; F23Q 2/345; F23Q 2/44; F23Q  
3/00; F23Q 7/16; A24F 15/18; A24F  
9/02; A24F 13/26; A24F 3/00; A24F  
15/00; A24F 9/04; A24F 9/16; A24F  
13/24; A24F 15/10; A24F 17/00; A24F  
1/30; A24F 1/32; A24F 21/00; A24F  
23/00; A24F 25/00; A24F 27/00; A24F  
5/00; A24F 7/00

See application file for complete search history.

(56) **References Cited**

U.S. PATENT DOCUMENTS

D377,736 S \* 2/1997 Iwagaki ..... D7/416  
D406,010 S \* 2/1999 Tubby ..... D7/416  
D435,397 S \* 12/2000 Sung ..... D7/416  
D442,433 S \* 5/2001 Tubby ..... D7/416  
D494,416 S \* 8/2004 Sung ..... D7/416  
D564,839 S \* 3/2008 Wang ..... D7/416  
D565,899 S \* 4/2008 Wang ..... D7/416  
D665,226 S \* 8/2012 Luo ..... D7/416  
D686,879 S \* 7/2013 Ichikawa ..... D7/416  
D835,336 S \* 12/2018 Luo ..... D27/154

(Continued)

OTHER PUBLICATIONS

Duraflam Flex Neck Utility Lighter. By Duraflame. Dated Jan. 11, 2018. Found online [Feb. 23, 2021]. <https://www.duraflame.com/products/lighters-matches/duraflame-flex-neck-utility-lighter> (Year: 2018).\*

*Primary Examiner* — Marissa J Cash

*Assistant Examiner* — William B Melliar

(74) *Attorney, Agent, or Firm* — The H.T. Than Law Group

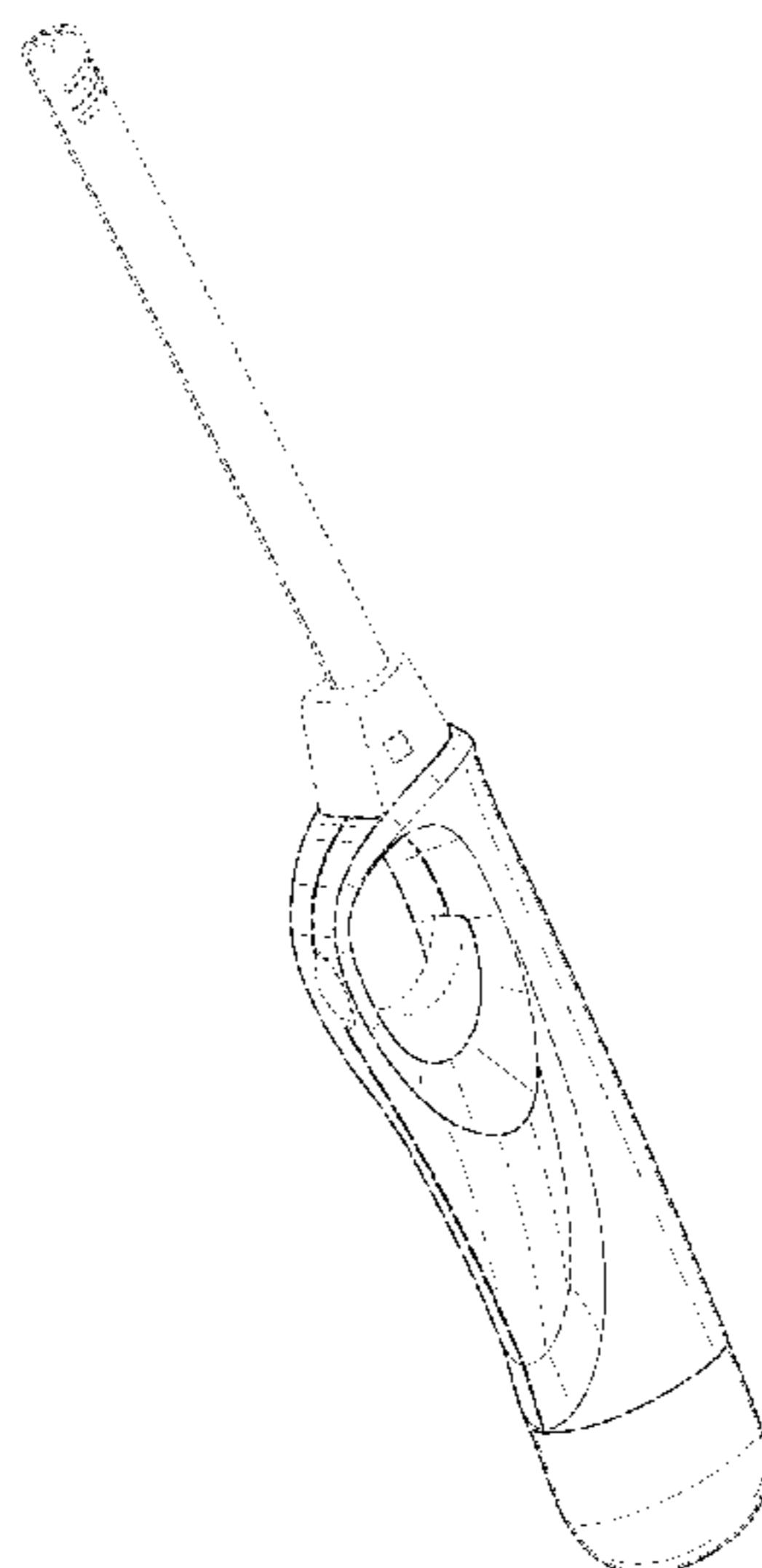
(57) **CLAIM**

We claim the ornamental design for a lighter, as shown and described.

**DESCRIPTION**

FIG. 1 is a perspective view of an ornamental design for a lighter according to the present invention;  
FIG. 2 is a front view thereof;  
FIG. 3 is a back view thereof;  
FIG. 4 is a left view thereof;  
FIG. 5 is a right view thereof;  
FIG. 6 is a top view thereof; and,  
FIG. 7 is a bottom view thereof.  
The broken lines illustrate portions of the design for a lighter and form no part of the claimed design.

**1 Claim, 6 Drawing Sheets**



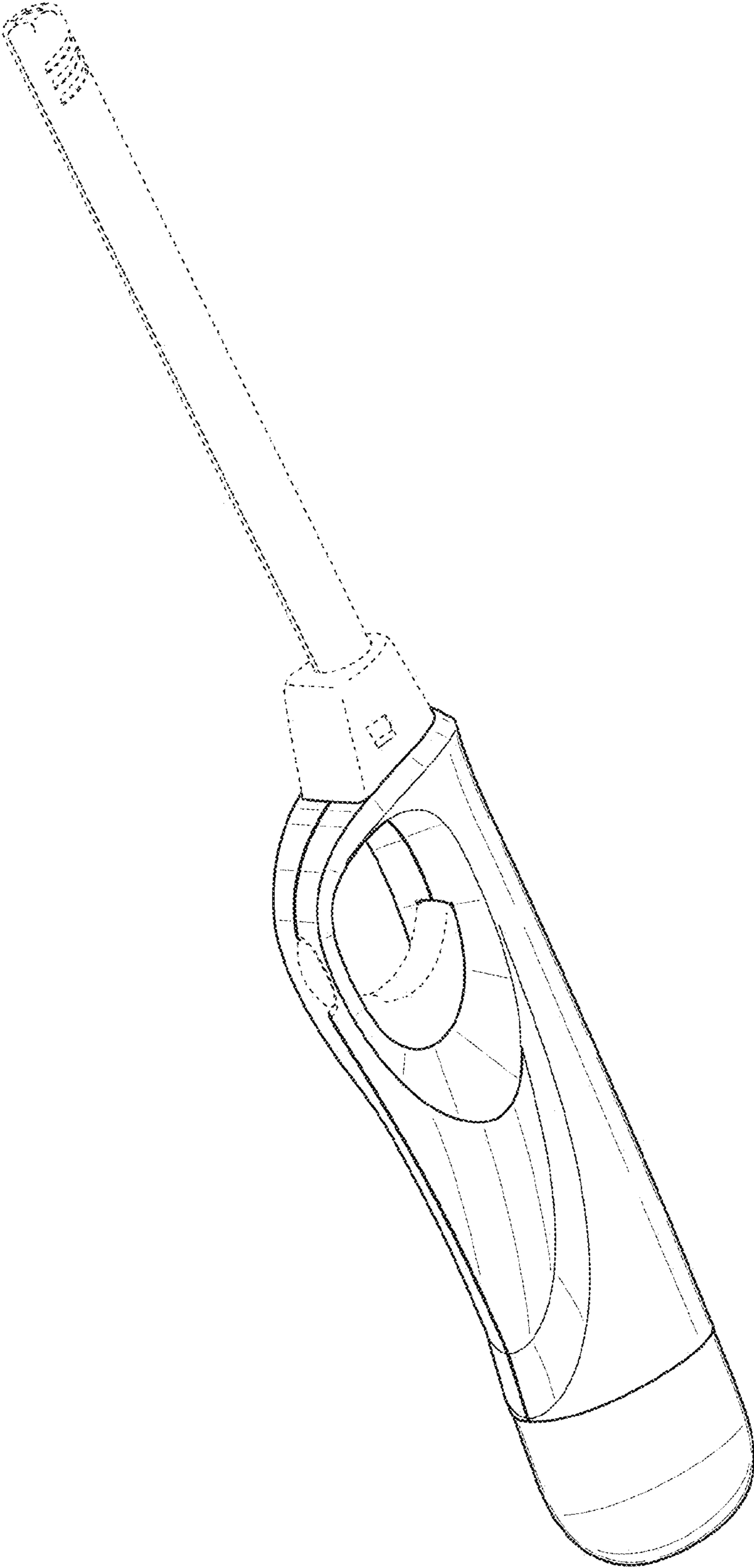
(56)

**References Cited**

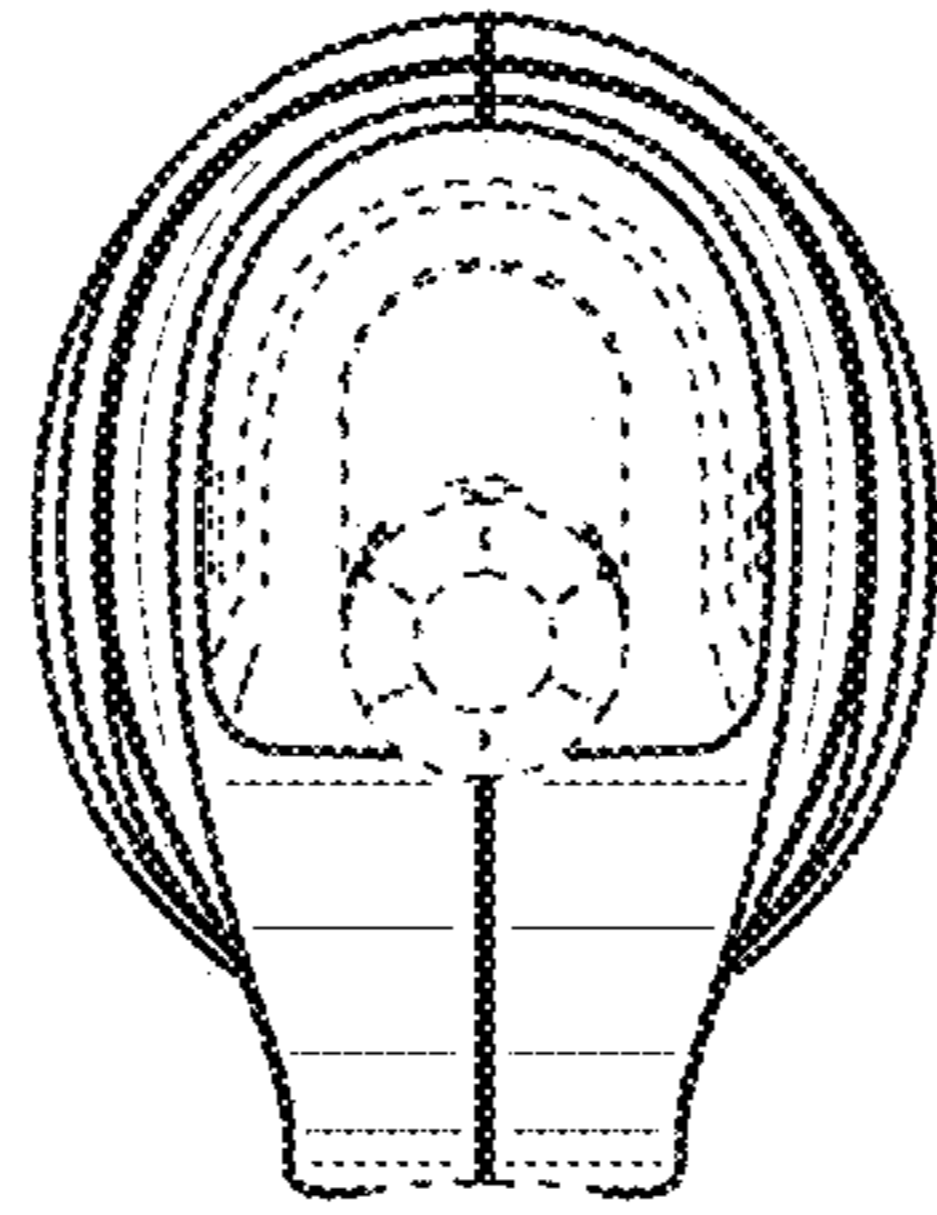
U.S. PATENT DOCUMENTS

D840,753 S \* 2/2019 Muller ..... D7/416  
D844,224 S \* 3/2019 Bao ..... D27/154  
D848,670 S \* 5/2019 Bao ..... D27/154  
D851,453 S \* 6/2019 Luo ..... D7/416  
D890,415 S \* 7/2020 Luo ..... D27/141  
2001/0044085 A1\* 11/2001 Sung ..... F23Q 2/164  
431/153  
2003/0039934 A1\* 2/2003 Wang ..... F23Q 2/287  
431/153  
2003/0049576 A1\* 3/2003 Jon ..... F23Q 2/287  
431/153  
2004/0063055 A1\* 4/2004 Yang ..... F23Q 2/164  
431/153  
2005/0239008 A1\* 10/2005 Sung ..... F23Q 2/164  
431/153  
2008/0213712 A1\* 9/2008 Huang ..... F23Q 2/164  
431/153  
2009/0004613 A1\* 1/2009 Shan ..... F23Q 2/164  
431/153  
2009/0061371 A1\* 3/2009 Fang ..... F23Q 2/164  
431/153  
2010/0081101 A1\* 4/2010 Shan ..... F23Q 2/164  
431/253

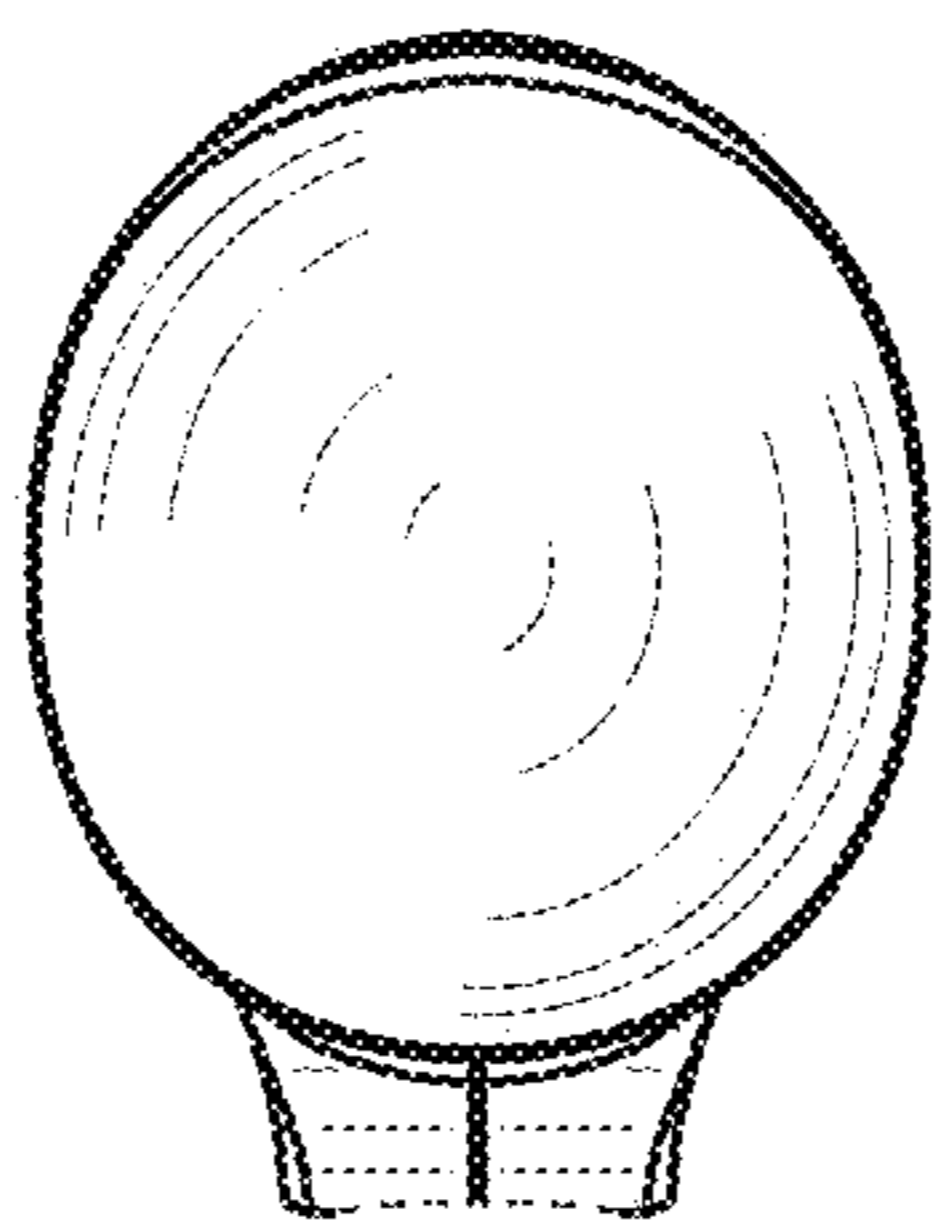
\* cited by examiner



*Fig. 1*



*Fig. 2*



*Fig. 3*

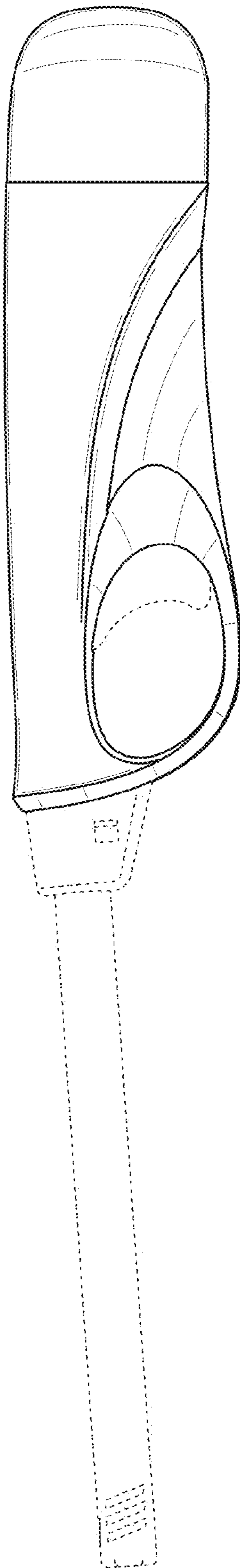


Fig. 4

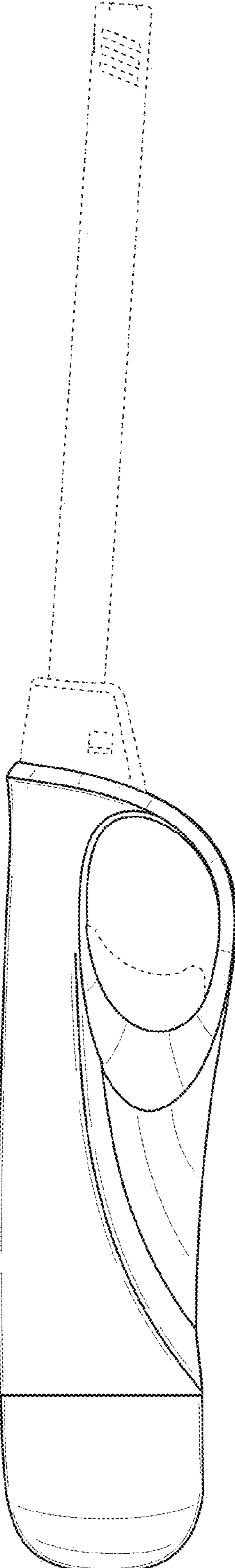
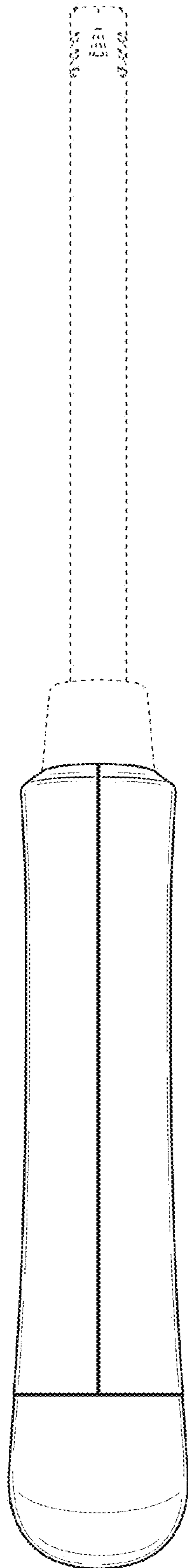
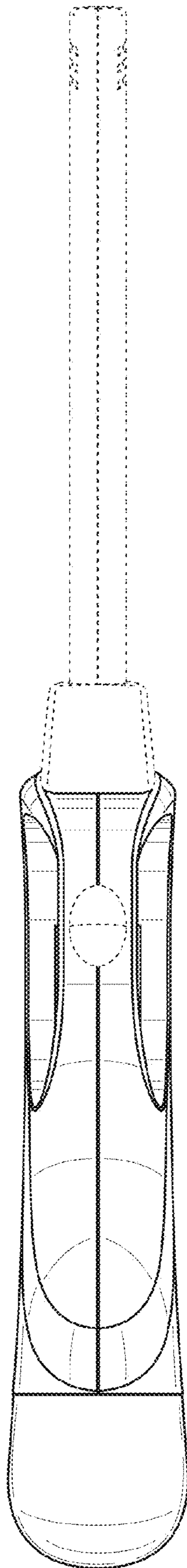


Fig. 5



*Fig. 6*



*Fig. 7*