



US00D933283S

(12) **United States Design Patent** (10) **Patent No.:** **US D933,283 S**
Wiegel et al. (45) **Date of Patent:** **** Oct. 12, 2021**

(54) **FAN AND LIGHT MOUNTING SYSTEM**

OTHER PUBLICATIONS

(71) Applicant: **RITE-HITE HOLDING CORPORATION**, Milwaukee, WI (US)

United States Patent and Trademark Office, "Non-Final Office Action," issued in connection with U.S. Appl. No. 16/747,360, dated Oct. 21, 2020, 23 pages.

(Continued)

(72) Inventors: **Aaron J. Wiegel**, Benton, WI (US); **David Swift**, Dubuque, IA (US); **Jason Dondlinger**, Bellevue, IA (US); **Lucas I. Paruch**, Dubuque, IA (US)

Primary Examiner — Mark A Goodwin

Assistant Examiner — Benjamin M Weeks

(74) *Attorney, Agent, or Firm* — Hanley, Flight & Zimmerman, LLC

(73) Assignee: **RITE-HITE HOLDING CORPORATION**, Milwaukee, WI (US)

(**) Term: **15 Years**

(57) **CLAIM**

The ornamental design for a "fan and light mounting system," as shown and described.

(21) Appl. No.: **29/703,602**

(22) Filed: **Aug. 28, 2019**

(51) **LOC (13) Cl.** **26-05**

(52) **U.S. Cl.**
USPC **D26/142**

(58) **Field of Classification Search**
USPC D26/63, 72, 80, 81-92, 142, 143, 144
CPC F21S 8/03; F21S 8/031; F21S 8/033; F21S 8/035; F21S 8/036; F21S 13/02
See application file for complete search history.

DESCRIPTION

FIG. 1 is a front, right perspective view of a fan and light mounting system.

FIG. 2 is a front view of the fan and light mounting system of FIG. 1.

FIG. 3 is a rear view of the fan and light mounting system of FIG. 1.

FIG. 4 is left side view of the fan and light mounting system of FIG. 1.

FIG. 5 is a right side view of the fan and light mounting system of FIG. 1.

FIG. 6 is a top view of the fan and light mounting system of FIG. 1; and,

FIG. 7 is a bottom view of the fan and light mounting system of FIG. 1.

The features shown in long-and-short broken lines are boundary lines and form no part of the claimed design. All other broken lines (e.g., the even broken lines) correspond to environmental structure and form no part of the claimed design. The lighter solid lines denote surfaces and/or contours.

(56) **References Cited**

U.S. PATENT DOCUMENTS

2,538,655	A	1/1951	Preston
3,275,878	A	9/1966	Wilbanks
4,424,006	A	1/1984	Armbruster
4,651,966	A	3/1987	Suzuki
4,696,450	A	9/1987	Huang
D296,369	S	6/1988	Harvey

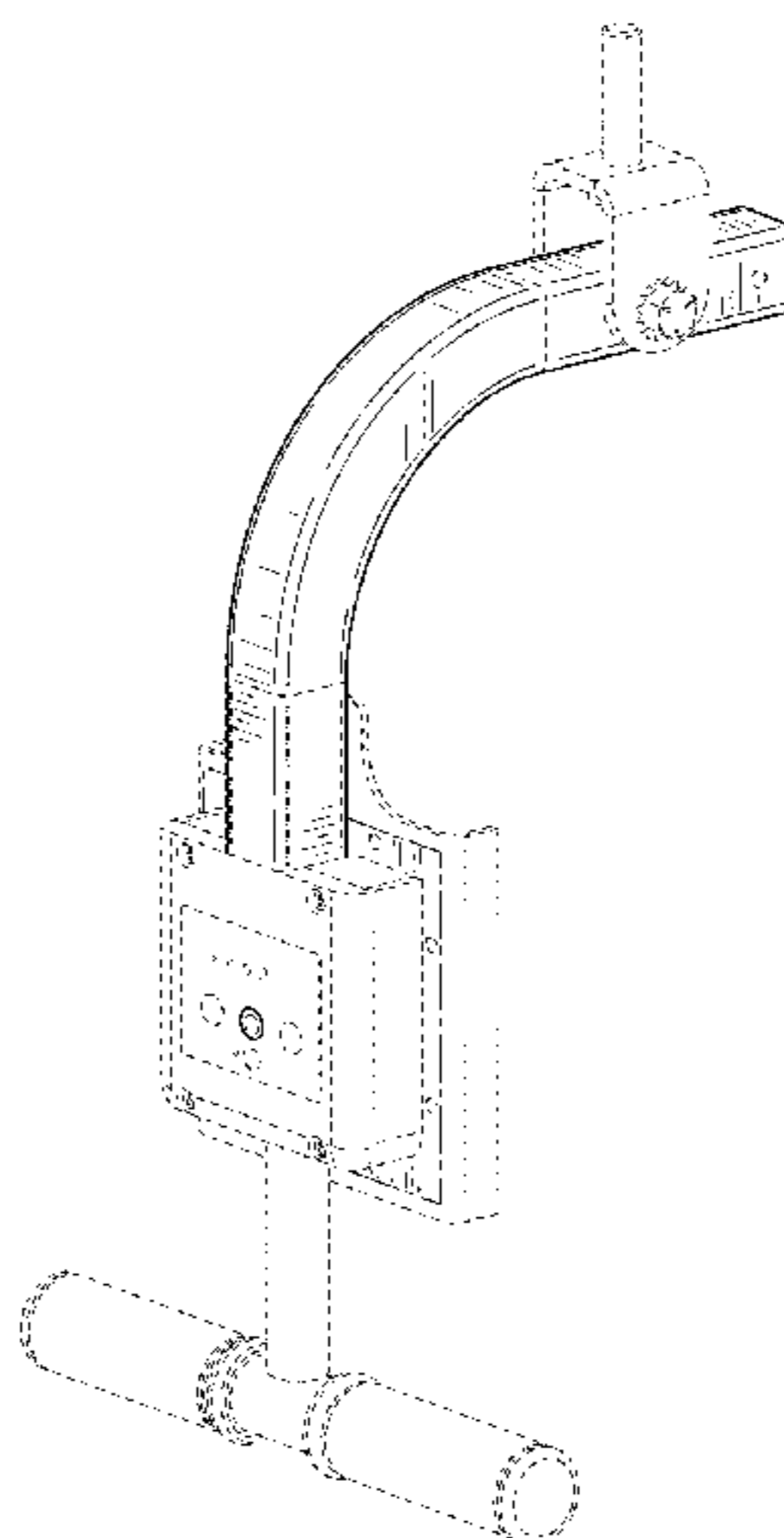
(Continued)

FOREIGN PATENT DOCUMENTS

CA	2772932	3/2011
CN	1175661	3/1998

(Continued)

1 Claim, 4 Drawing Sheets



(56)

References Cited

U.S. PATENT DOCUMENTS

4,856,968 A 8/1989 Armbruster
 4,973,016 A 11/1990 Hertenstein
 5,062,029 A 10/1991 Engel
 D327,131 S 6/1992 Vrancart et al.
 5,171,086 A 12/1992 Baloochi
 D340,405 S * 10/1993 Anderson D8/380
 5,287,253 A 2/1994 Blorstad
 D359,225 S * 6/1995 Reed D26/138
 5,667,188 A * 9/1997 Bettinsoli F21S 8/086
 248/558
 5,709,458 A 1/1998 Metz
 5,791,763 A 8/1998 Kam-Hoi
 D444,260 S * 6/2001 Dolan D26/92
 6,244,821 B1 6/2001 Boyd et al.
 D454,975 S * 3/2002 De'Armond D26/155
 6,589,016 B2 7/2003 Boyd et al.
 6,692,229 B2 2/2004 Metz
 6,767,117 B2 * 7/2004 De'Armond F21S 8/033
 362/147
 6,812,849 B1 11/2004 Ancel
 6,817,835 B2 11/2004 Boyd et al.
 6,890,149 B2 5/2005 Metz et al.
 7,101,064 B2 9/2006 Ancel
 D537,196 S * 2/2007 Summerford D26/155
 D542,943 S 5/2007 Wang
 D546,980 S 7/2007 Lo
 D549,854 S 8/2007 Takahashi
 D566,300 S 4/2008 Lo
 D582,578 S 12/2008 Tsai et al.
 D593,223 S 5/2009 Komar
 D599,931 S 9/2009 Van Klinken
 D608,047 S * 1/2010 Scheper D26/138
 7,762,688 B2 7/2010 Dixon et al.
 7,823,239 B2 11/2010 Hochstein et al.
 D636,928 S * 4/2011 Lin D26/138
 D647,646 S 10/2011 Tsung
 D664,272 S 7/2012 Lee
 8,366,301 B2 2/2013 Hudson et al.
 D683,883 S 6/2013 Yorio et al.
 D693,947 S 11/2013 Wiegel et al.
 D701,640 S 3/2014 Wiegel et al.
 D702,397 S 4/2014 Wiegel et al.
 9,255,699 B2 2/2016 Wiegel et al.
 D762,917 S * 8/2016 Nankil D26/142
 D844,882 S * 4/2019 Schuyler D26/81
 D853,630 S * 7/2019 Wilcox D26/142
 D882,862 S * 4/2020 Antoni D26/138
 D899,674 S * 10/2020 He D26/138
 2002/0037098 A1 3/2002 Beaty et al.
 2002/0045420 A1 4/2002 Taillon
 2002/0144782 A1 10/2002 Okuno et al.
 2003/0067767 A1 4/2003 Liu
 2003/0151912 A1 8/2003 Ancel
 2004/0114921 A1 6/2004 Braun et al.
 2004/0131470 A1 7/2004 Boyd
 2005/0168999 A1 8/2005 Sommers et al.
 2005/0260943 A1 11/2005 Snyder et al.
 2006/0049615 A1 3/2006 Day
 2006/0213672 A1 9/2006 Mohr
 2007/0214586 A1 9/2007 Mattucci et al.
 2008/0010757 A1 1/2008 Hochstein et al.
 2009/0116961 A1 5/2009 Todd, Jr.
 2009/0147120 A1 6/2009 Kurane
 2010/0052549 A1 3/2010 Hudson et al.
 2010/0075588 A1 3/2010 Haneline
 2010/0146719 A1 6/2010 Swessel et al.

2010/0201267 A1 8/2010 Bourquin et al.
 2010/0240418 A1 9/2010 Matoba
 2010/0291858 A1 11/2010 Toy
 2010/0301773 A1 12/2010 Chemel et al.
 2011/0001957 A1 1/2011 Braune et al.
 2011/0203059 A1 8/2011 Whitley et al.
 2011/0304840 A1 12/2011 Hsu et al.
 2014/0225509 A1 8/2014 Wiegel et al.
 2015/0176834 A1 6/2015 Avedon
 2016/0169498 A1 6/2016 Lei et al.
 2017/0074503 A1 3/2017 Horng et al.
 2017/0144645 A1 5/2017 Metz et al.
 2017/0168531 A1 6/2017 Casparian et al.
 2020/0085162 A1 3/2020 Yoo et al.

FOREIGN PATENT DOCUMENTS

CN 1382564 12/2002
 CN 101384205 3/2009
 CN 201313754 9/2009
 CN 102026781 4/2011
 CN 102398762 4/2012
 EP 2019252 1/2009
 GB 983013 2/1965
 GB 2123132 1/1984
 GR 1003642 8/2001
 JP 2000042970 2/2000
 JP 2011026887 2/2011
 JP 2011149300 8/2011
 WO 2009003279 1/2009
 WO 2009087261 7/2009
 WO 2014123733 8/2014
 WO 2015142871 9/2015

OTHER PUBLICATIONS

European Intellectual Property Office, "Preliminary Examination Report," issued in connection with European design patent application No. 006826111 dated Sep. 18, 2019, 5 pages.
 Canadian Intellectual Property Office, "Office Action," issued in connection with Canadian patent application No. 3069222, dated Mar. 1, 2021, 5 pages.
 IP Australia, "Examination Report No. 1 for Standard Patent Application," issued in connection with Australian application No. 2020200426, dated Oct. 1, 2020, 8 pages.
 Rite-Hite, "CoolMan 2500 Trailer Fan Owner's and Installation Manual," Mar. 2004, 12 pages.
 Mexican Intellectual Property Office, "Office Action," issued in connection with Mexican Design Patent Application No. Mx/f/2019/002484, dated Sep. 3, 2020, 7 pages.
 Canadian Intellectual Property Office, "Examination Report," issued in connection with Canadian Design Patent Application No. 189648, dated Nov. 20, 2020, 2 pages.
 Australian Government, "Examination Report No. 2 for standard patent application," issued in connection with Australian patent application No. 2020200426, dated Jul. 15, 2021, 3 pages.
 United States Patent and Trademark Office, "Advisory Action," issued in connection with U.S. Appl. No. 16/747,360, dated Aug. 6, 2021, 4 pages.
 United States Patent and Trademark Office, "Final Office Action," issued in connection with U.S. Appl. No. 16/747,360, dated May 24, 2021, 20 pages.
 Mexican Intellectual Property Office, "Notice of Allowance," issued in connection with Mexican Design Patent Application No. MX/f/2019/002484, dated Apr. 26, 2021, 3 pages.

* cited by examiner

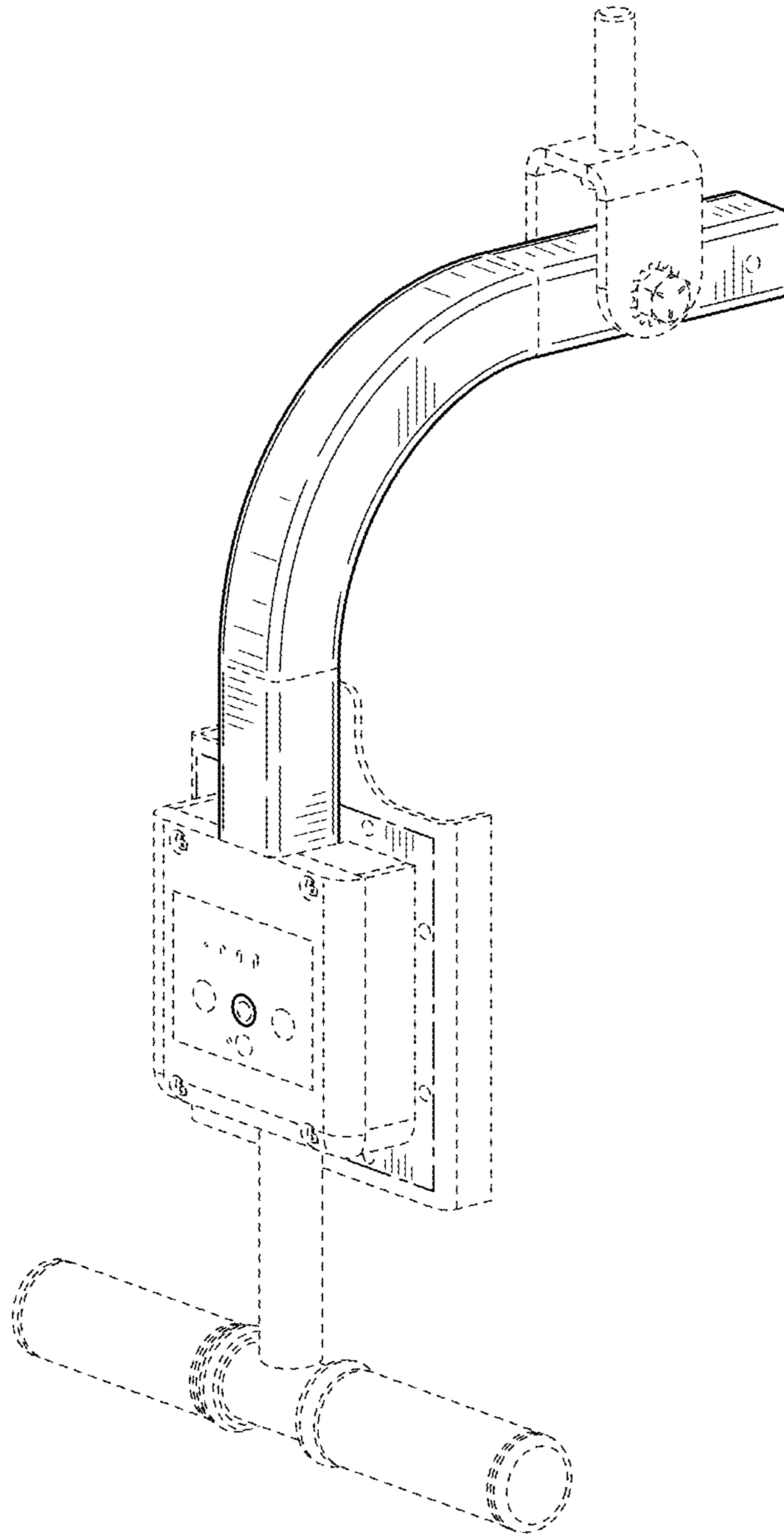


FIG. 1

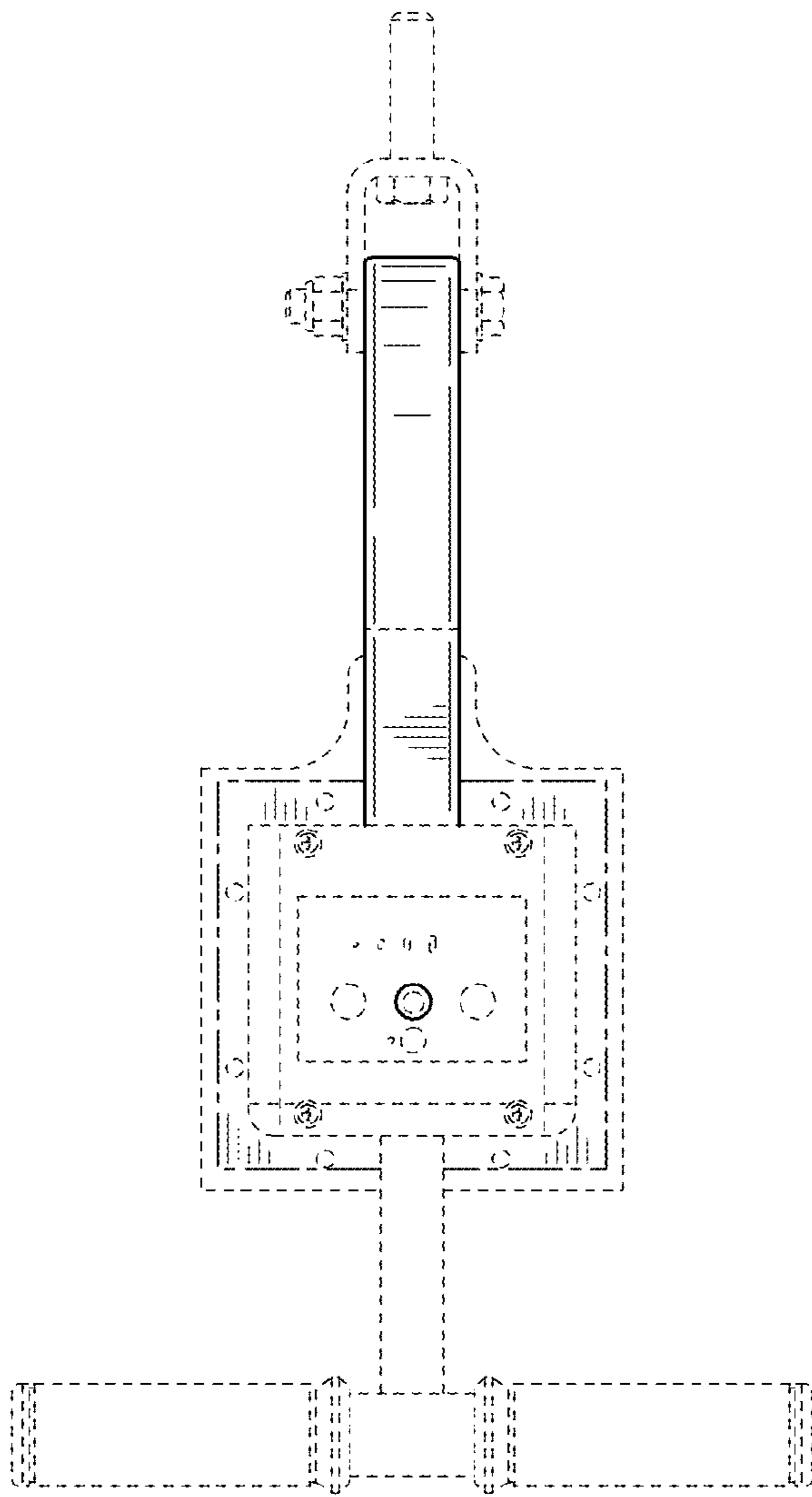


FIG. 2

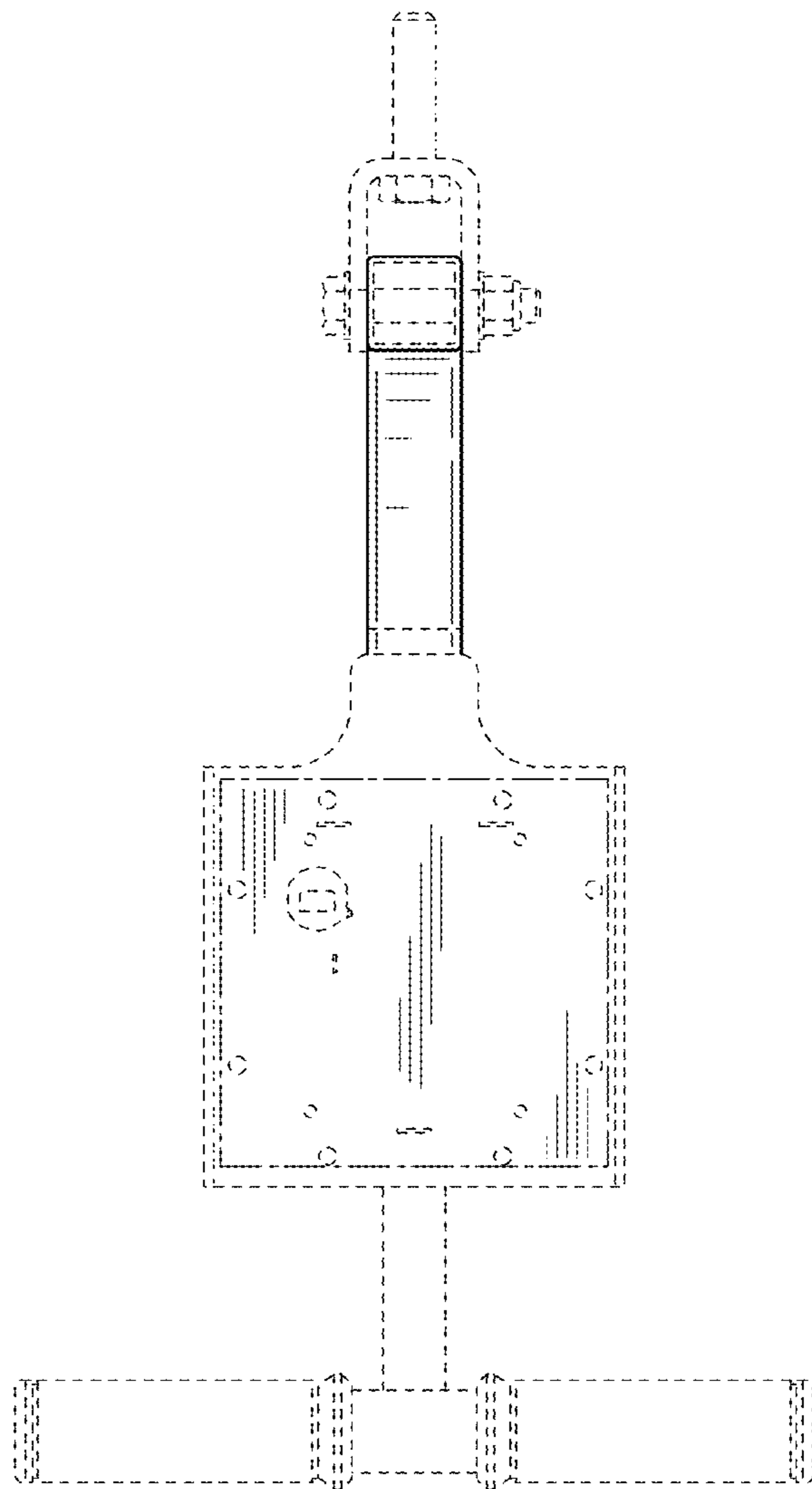


FIG. 3

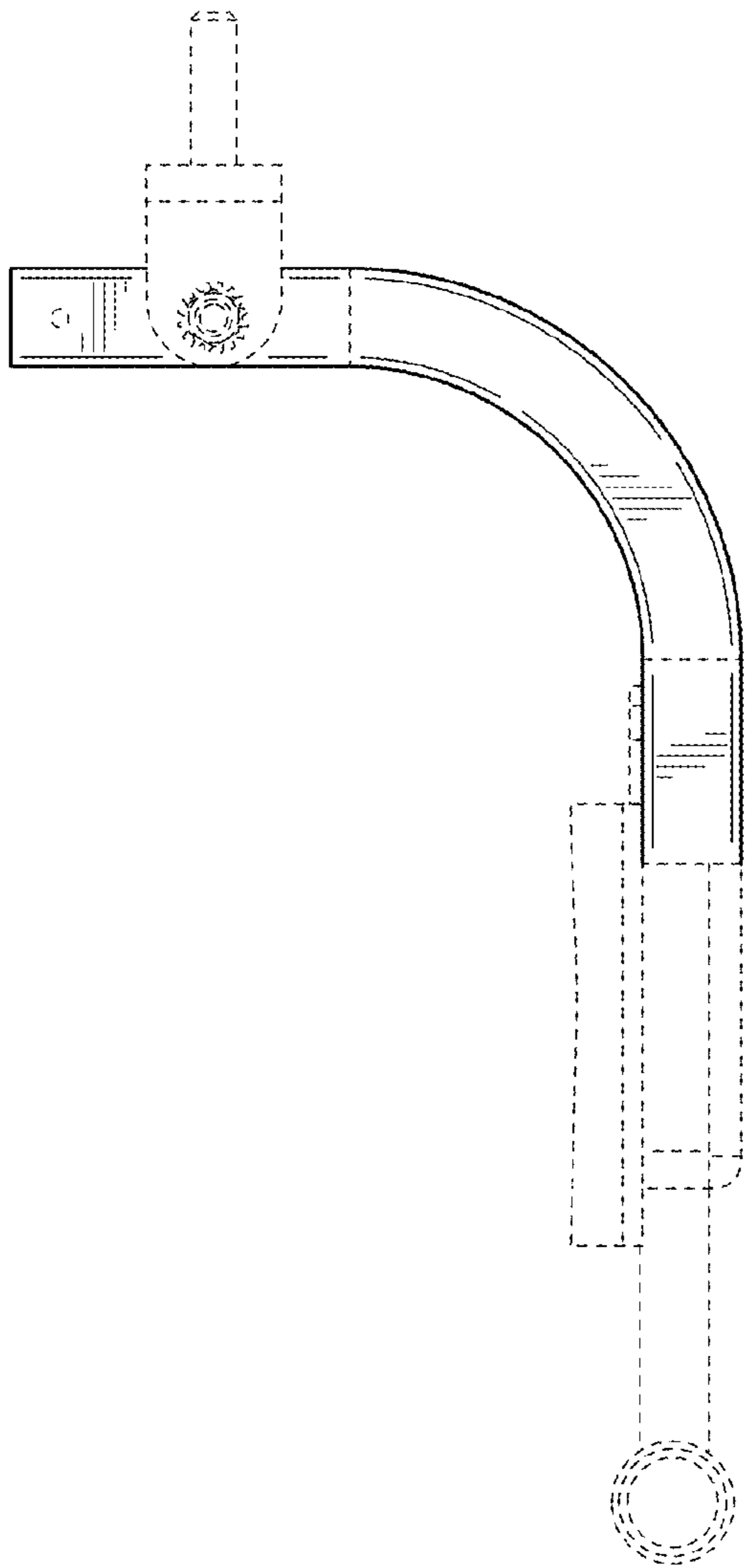


FIG. 4

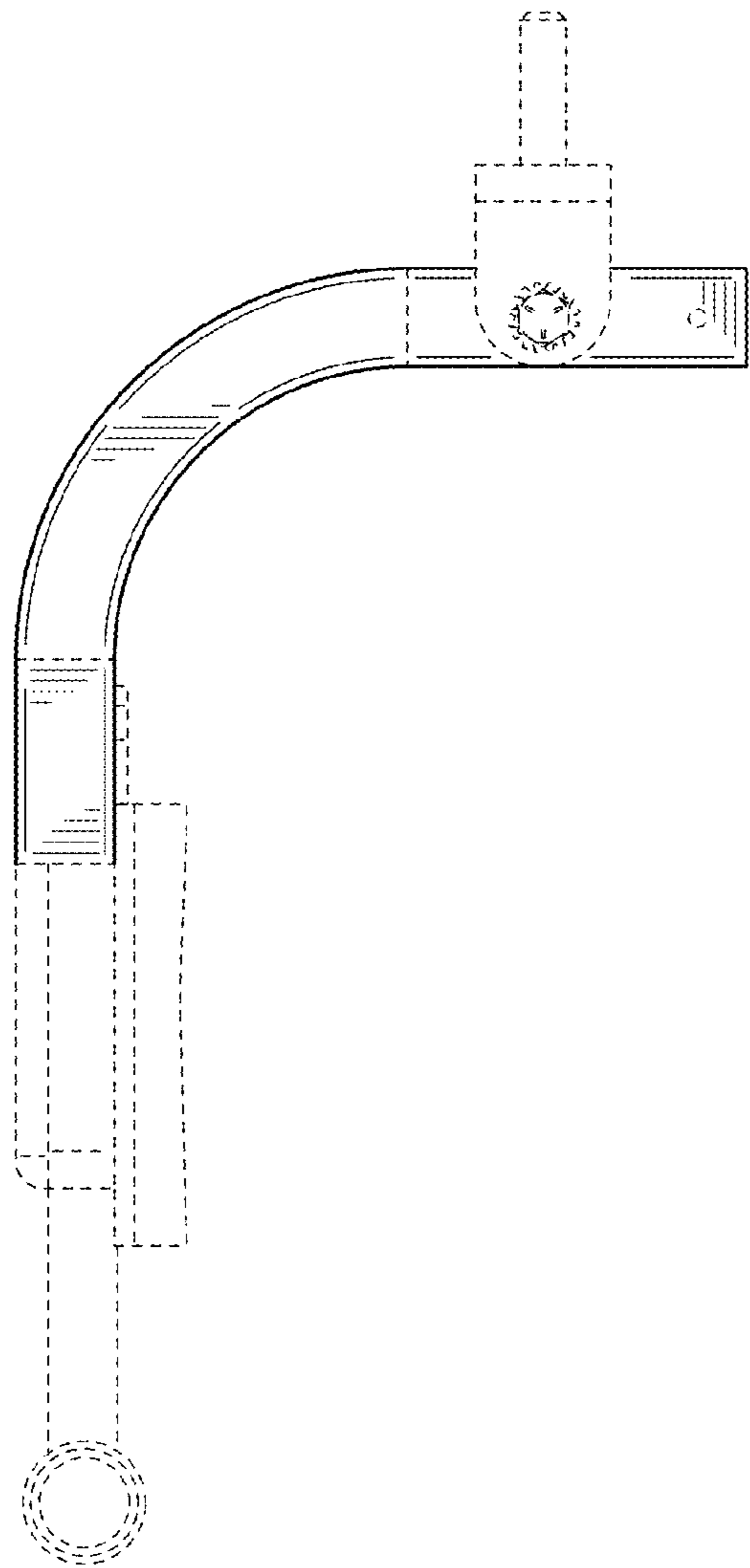


FIG. 5

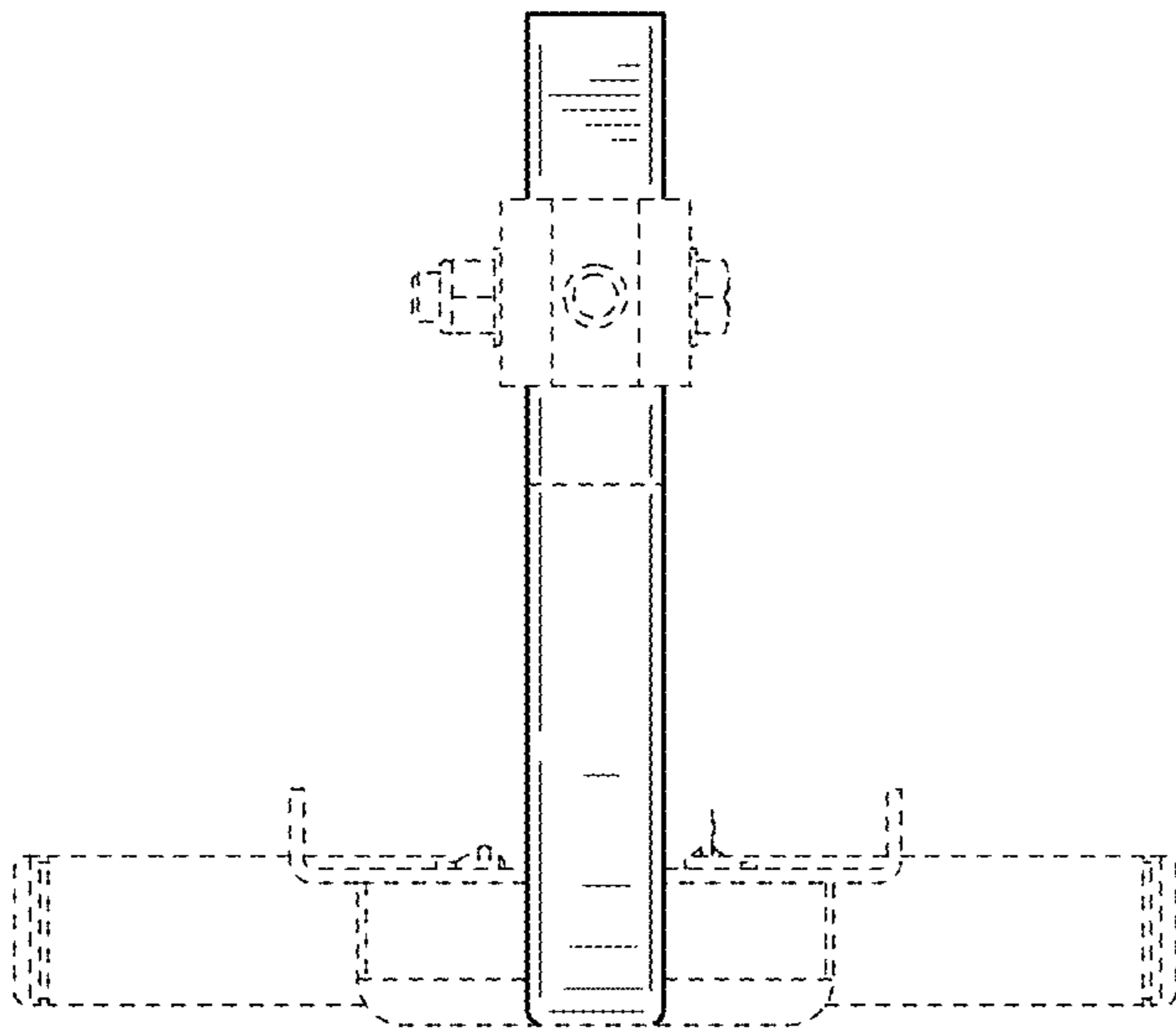


FIG. 6

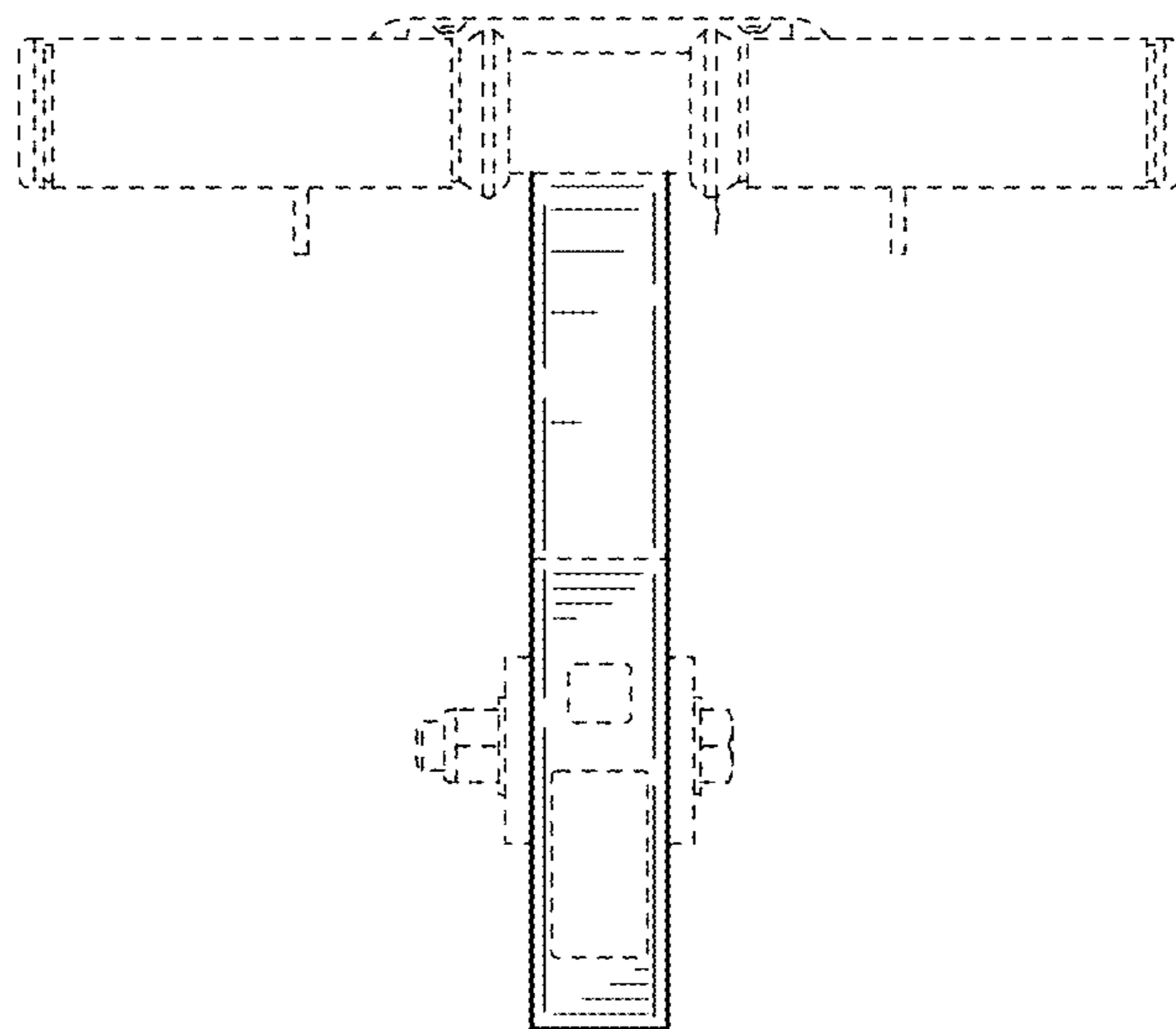


FIG. 7