



US00D933281S

(12) **United States Design Patent** (10) **Patent No.:** **US D933,281 S**
Johnson (45) **Date of Patent:** **** Oct. 12, 2021**

(54) **UNDER CABINET LIGHT**
(71) Applicant: **London Johnson, Inc.**, Dallas, TX (US)
(72) Inventor: **Brian P. Johnson**, Dallas, TX (US)
(**) Term: **15 Years**
(21) Appl. No.: **29/723,459**
(22) Filed: **Feb. 6, 2020**
(51) **LOC (13) Cl.** **26-03**
(52) **U.S. Cl.**
USPC **D26/89**
(58) **Field of Classification Search**
USPC D26/24, 72, 76, 80, 85, 89, 88
CPC F21S 8/03; F21S 8/036; F21S 8/037; F21S 9/02; F21S 9/024; F21S 9/03; F21S 9/037; F21W 2131/107; G08B 13/19; G08B 13/193
See application file for complete search history.

7,270,443 B2 9/2007 Kurtz et al.
D557,442 S 12/2007 Niemier
D563,003 S * 2/2008 Aleksjew D26/37
D569,027 S 5/2008 Hakamada
D576,334 S 9/2008 Levine
D576,476 S 9/2008 Didehvar
D580,583 S 11/2008 Pfund
D585,152 S 1/2009 Levine
D595,875 S 7/2009 Irvine
D595,887 S 7/2009 Blom
D599,945 S 9/2009 Pfund
D602,189 S 10/2009 Zambelli et al.
D603,080 S * 10/2009 Benensohn D26/61
D603,545 S 11/2009 Levine

(Continued)

OTHER PUBLICATIONS

Brilliant Evolution Wireless LED Under Cabinet Light available at amazon.com Dec. 11, 2019. (Year: 2019).*

(Continued)

Primary Examiner — Clare E Heflin
(74) *Attorney, Agent, or Firm* — Wolf, Greenfield & Sacks, P.C.

(56) **References Cited**
U.S. PATENT DOCUMENTS

D163,762 S 6/1951 McCann
2,640,911 A 6/1953 McCann
D205,192 S 7/1966 Shearin
D329,715 S 9/1992 Dieperink
D330,269 S 10/1992 Hong
D366,337 S 1/1996 Yuen
D384,762 S 10/1997 Roorda
D386,278 S 11/1997 Engle et al.
D397,486 S 8/1998 Engle et al.
D443,096 S 5/2001 Echito
D449,402 S 10/2001 Echito
D452,340 S 12/2001 Pickett et al.
6,390,652 B1 5/2002 Echito
D464,162 S 10/2002 Segretto
D481,483 S 10/2003 Waugh et al.
6,755,551 B2 6/2004 Soorus et al.
D549,382 S 8/2007 Lee

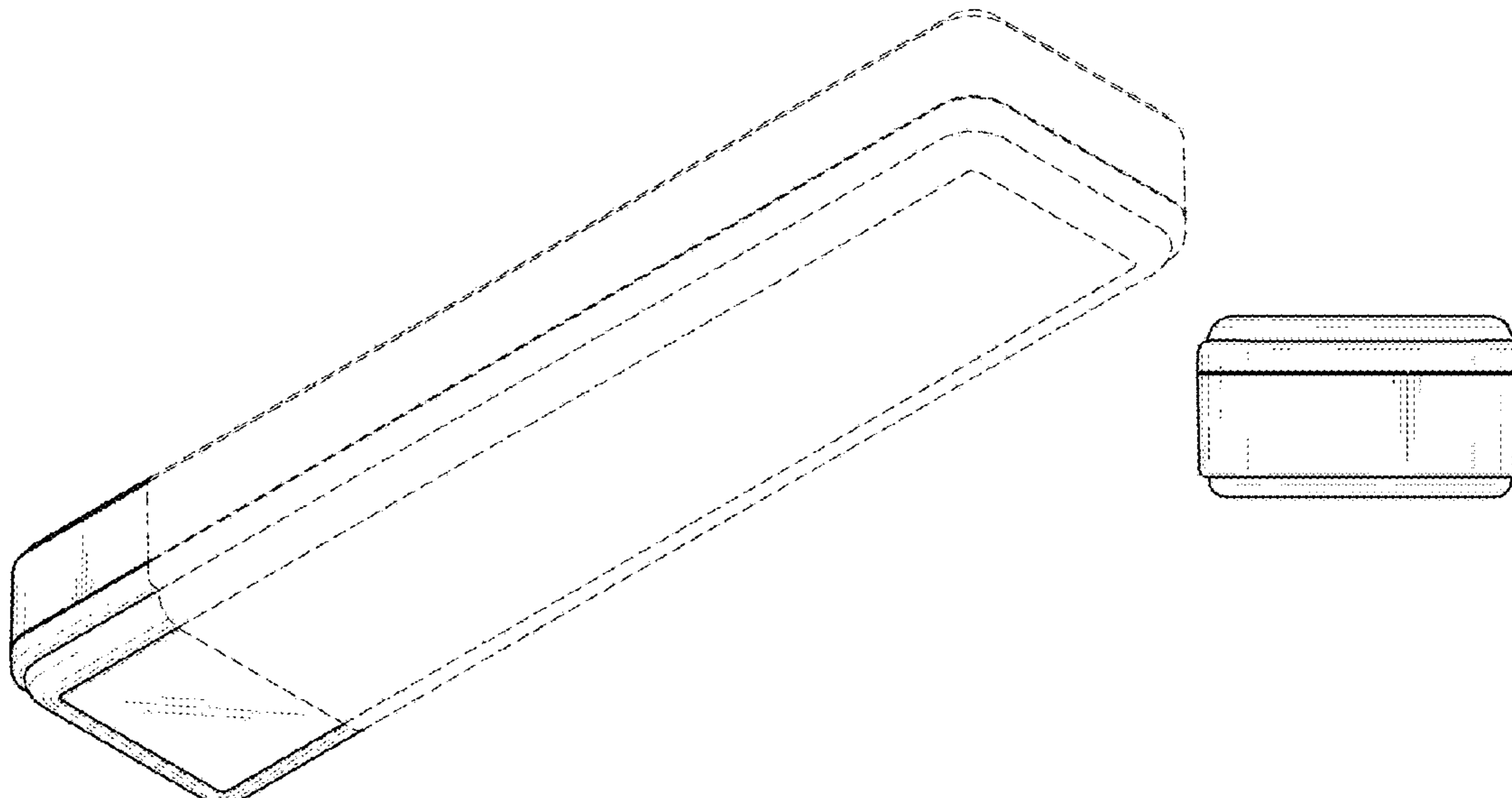
(57) **CLAIM**

The ornamental design for an under cabinet light, as shown and described.

DESCRIPTION

FIG. 1 is a perspective view of an under cabinet light showing my design as viewed from the bottom.
FIG. 2 is a bottom plan view thereof.
FIG. 3 is a top plan view thereof.
FIG. 4 is a side profile view thereof.
FIG. 5 is a first end profile view thereof; and,
FIG. 6 is a second end profile view thereof.
The details shown in broken lines illustrate features that form no part of the claimed design.

1 Claim, 2 Drawing Sheets



(56)

References Cited

U.S. PATENT DOCUMENTS

D606,229 S * 12/2009 Johansen D26/76
D608,043 S * 1/2010 Ko D26/76
D612,973 S * 3/2010 Munstermann D26/80
D633,244 S 2/2011 Kramer et al.
D642,726 S * 8/2011 Khubani D26/80
D650,507 S 12/2011 Osiecki et al.
D671,674 S 11/2012 Cho
D713,277 S * 9/2014 Hasegawa D10/106.6
D715,466 S 10/2014 Wang
D722,718 S 2/2015 Chen
D751,236 S * 3/2016 Renshaw D26/89
D769,476 S 10/2016 Spencer
D797,963 S * 9/2017 Johnson D26/24
D805,235 S 12/2017 Waldmann
D819,251 S 5/2018 Martins et al.
D825,792 S * 8/2018 Johnson D26/24
D850,706 S 6/2019 Pearson et al.
D851,789 S * 6/2019 Johnson D26/24
D857,963 S 8/2019 Johnson

D866,816 S * 11/2019 Wang D26/24
D869,052 S 12/2019 Johnson
2007/0127235 A1 6/2007 Cooper et al.

OTHER PUBLICATIONS

LED White Wireless Under Cabinet Light with Remote by Brilliant Evolution, Model #BRRC124IR available at homedepot.com as early as Dec. 10, 2018. (Year: 2018).*

Brilliant Evolution BRRC124IR Wireless LED Light Bar with Remote Control available at amazon.com Aug. 6, 2016. (Year: 2016).*

LinkedIn page for 'London Johnson, Inc.' showing ownership of the Brilliant Evolution line of lighting products. linkedin.com visited Jun. 7, 2021. (Year: 2021).*

Under Cabinet Light bar (available online) Retrieved from the Internet Jan. 8, 2019 from URL: https://cdn.shopify.com/s/files/1/0874/5098/products/BRRC116—dimensions_1024x1024.jpg?v=151953365.

* cited by examiner

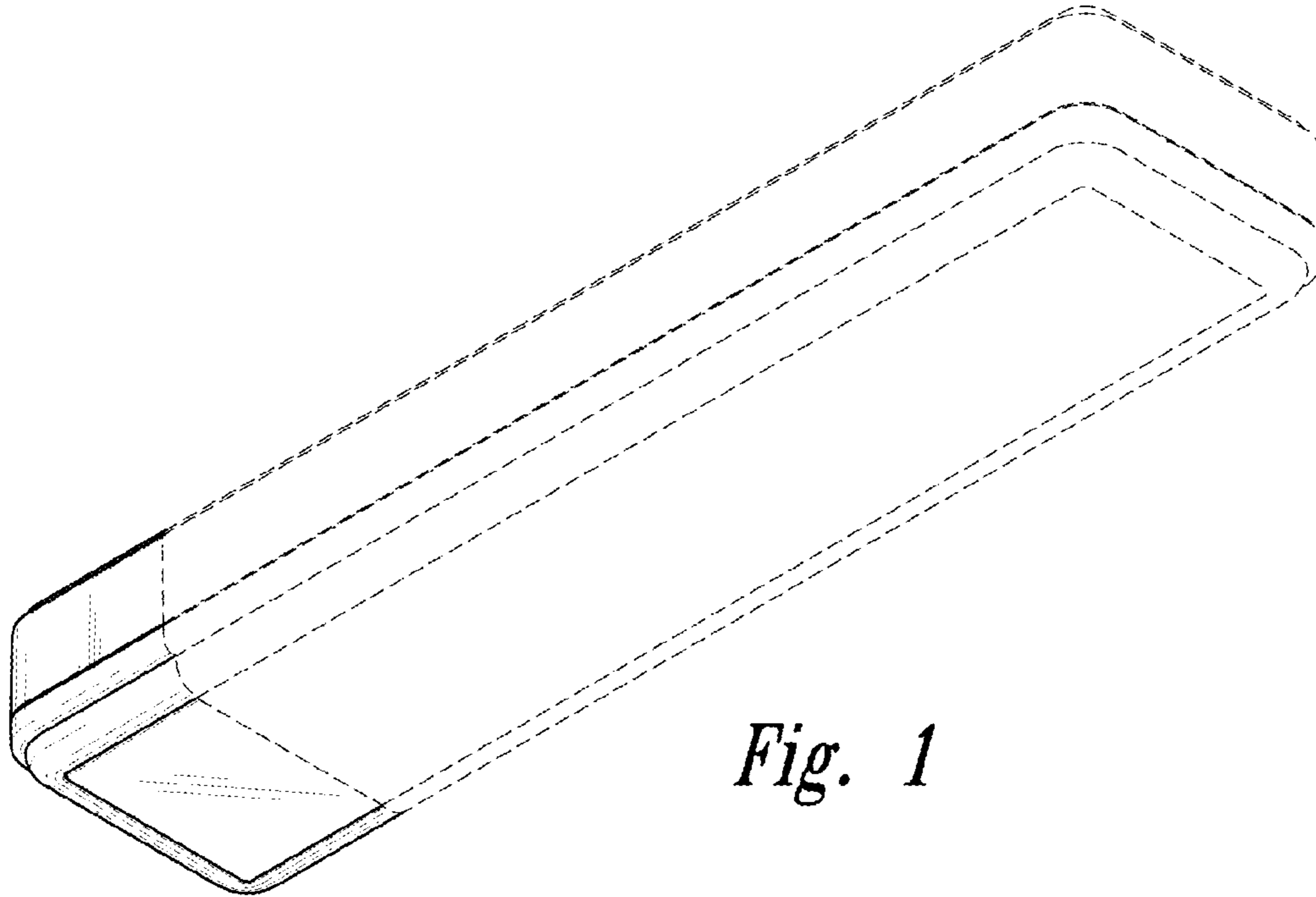


Fig. 1



Fig. 2

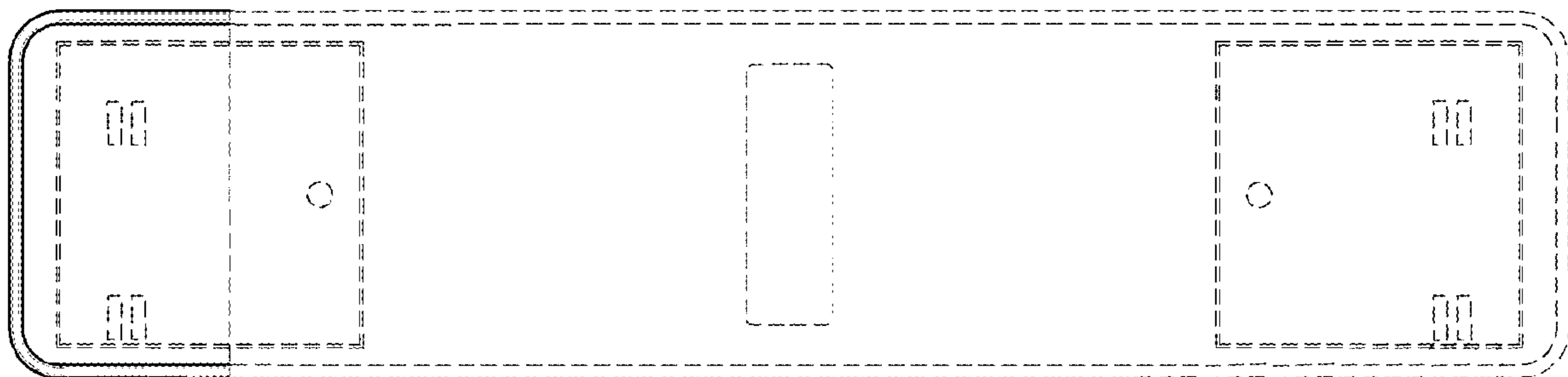


Fig. 3

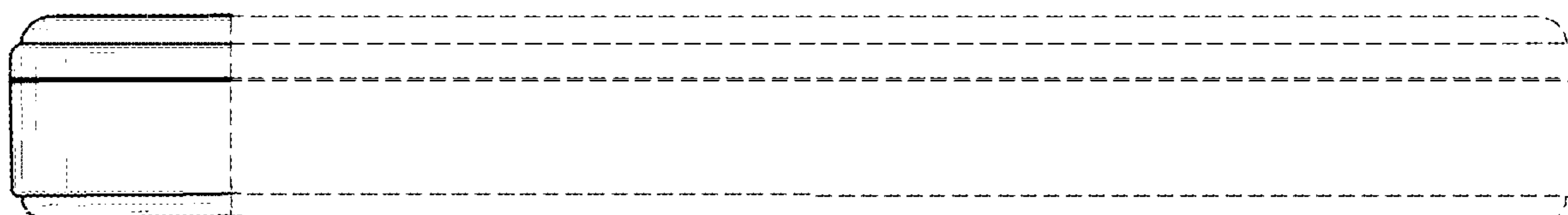


Fig. 4

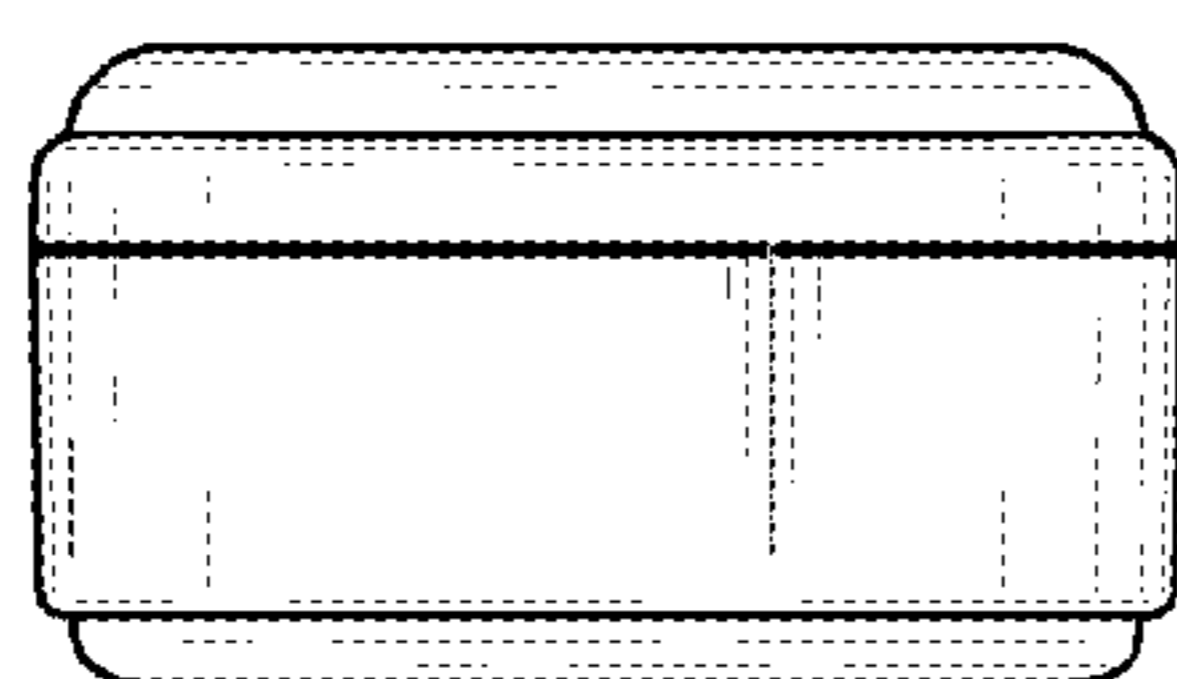


Fig. 5

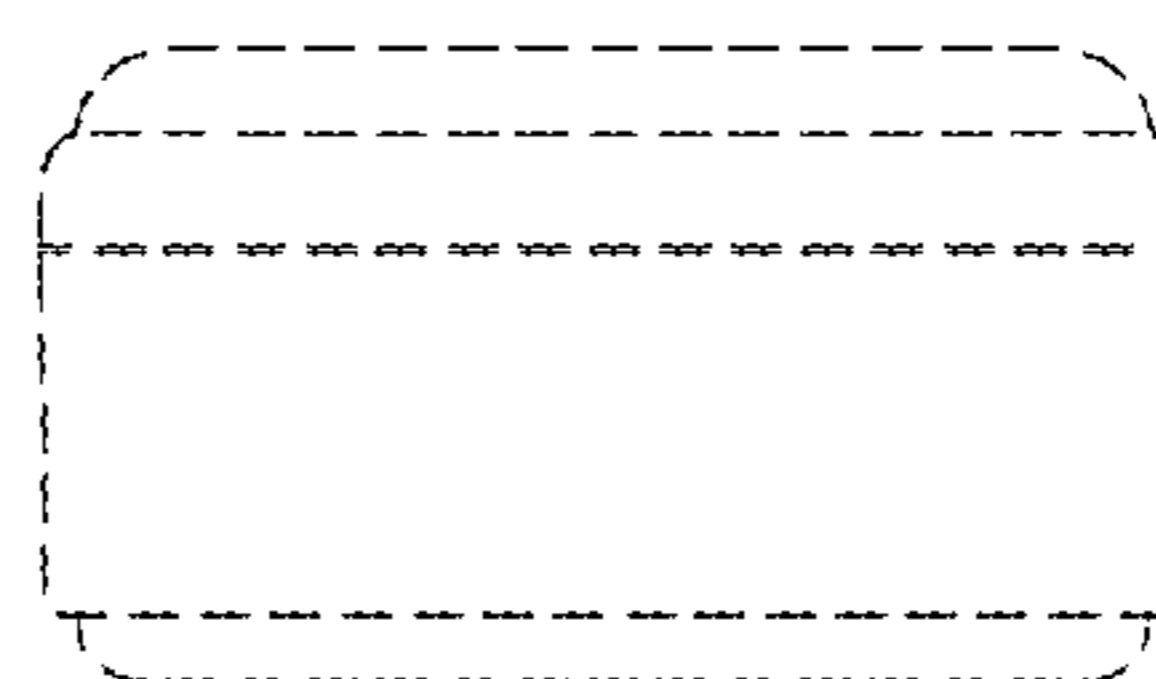


Fig. 6