



US00D933280S

(12) **United States Design Patent** (10) **Patent No.:** **US D933,280 S**  
**Ahrari et al.** (45) **Date of Patent:** **\*\* Oct. 12, 2021**

(54) **OUTDOOR LUMINAIRE**  
(71) Applicant: **Hubbell Incorporated**, Shelton, CT (US)  
(72) Inventors: **Armin Ahrari**, Glendale, CA (US); **Robert Nankil**, Buena Park, CA (US)  
(73) Assignee: **Hubbell Incorporated**, Shelton, CT (US)  
(\*\*) Term: **15 Years**

D248,184 S \* 6/1978 Roberts ..... D26/85  
D372,320 S 7/1996 Brady  
D382,910 S 8/1997 Greenfield  
D383,867 S 9/1997 Shalvi  
D388,900 S 1/1998 Metchea, III  
D393,089 S 3/1998 Metchea, III  
6,705,751 B1 3/2004 Liu  
D501,947 S 2/2005 Haugaard  
D550,881 S 9/2007 Lay  
D560,301 S \* 1/2008 Compton ..... D26/85  
D563,587 S 3/2008 Qyuiqye  
D584,443 S \* 1/2009 Bergmann ..... D26/85  
(Continued)

(21) Appl. No.: **29/674,095**  
(22) Filed: **Dec. 19, 2018**

**OTHER PUBLICATIONS**

Pienza Wall Sconce by Astro Lighting, available from ylighting.com, visited Jun. 9, 2021. (Year: 2021).\*  
(Continued)

**Related U.S. Application Data**

(62) Division of application No. 29/601,920, filed on Apr. 27, 2017, now Pat. No. Des. 837,433, which is a division of application No. 29/524,245, filed on Apr. 17, 2015, now Pat. No. Des. 786,468.

*Primary Examiner* — Clare E Hefflin  
(74) *Attorney, Agent, or Firm* — Michael Best & Friedrich LLP

(51) **LOC (13) Cl.** ..... **26-03**  
(52) **U.S. Cl.**  
USPC ..... **D26/85**

(57) **CLAIM**

The ornamental design for an outdoor luminaire, as shown and described.

(58) **Field of Classification Search**  
USPC ..... D26/63, 65, 72, 118, 85, 87, 92  
CPC .... F21S 8/04; F21S 8/043; F21S 8/046; F21S 8/06; F21S 8/061; F21S 8/063; F21S 8/065; F21S 6/003; F21S 8/03; F21S 8/033; F21S 8/035; F21S 8/036; F21V 21/26

**DESCRIPTION**

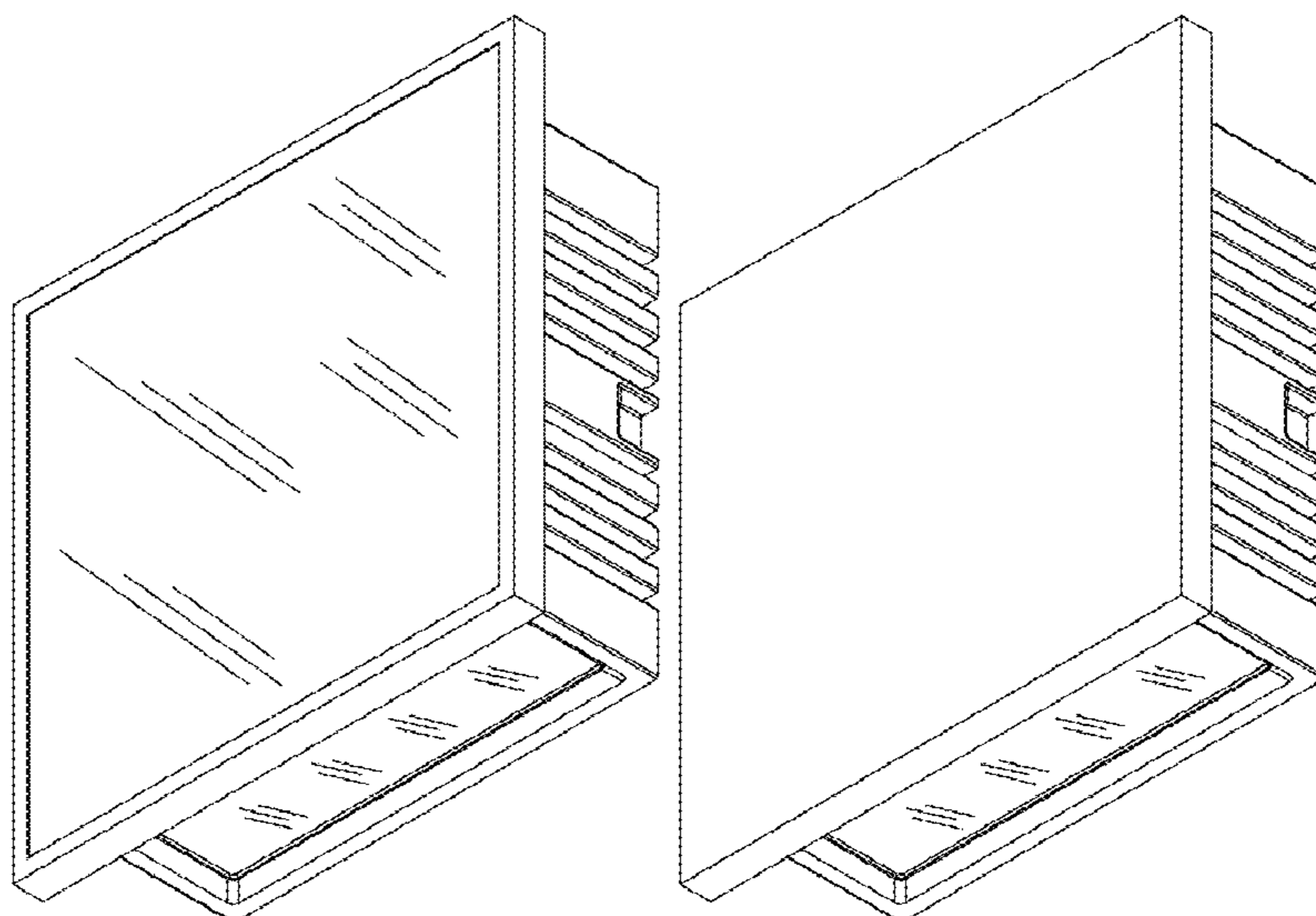
FIG. 1 is a front elevation view of a first embodiment of the new design;  
FIG. 2 is a front elevation view of a second embodiment of the new design;  
FIG. 3 is a top view of FIGS. 1 and 2;  
FIG. 4 is a left side view of FIGS. 1 and 2;  
FIG. 5 is a right side view of FIGS. 1 and 2;  
FIG. 6 is a bottom view of FIGS. 1 and 2;  
FIG. 7 is a top perspective view of FIG. 2;  
FIG. 8 is a bottom perspective view of FIG. 2;  
FIG. 9 is a top perspective view of FIG. 1; and  
FIG. 10 is a bottom perspective view of FIG. 1.

See application file for complete search history.

(56) **References Cited**  
U.S. PATENT DOCUMENTS

D85,688 S 5/1931 De Vos  
D201,764 S 7/1965 Mox  
D201,765 S 7/1965 Mox  
D209,416 S 11/1967 Smith  
D216,830 S \* 3/1970 McNamara, Jr. .... D26/85

**1 Claim, 2 Drawing Sheets**



(56)

**References Cited**

U.S. PATENT DOCUMENTS

D590,088 S \* 4/2009 Dworschak ..... D26/85  
 D592,783 S 5/2009 Flaherty  
 D599,944 S \* 9/2009 Sabernig ..... D26/74  
 D607,592 S 1/2010 Skogg  
 D607,593 S 1/2010 Yoo  
 D609,380 S 2/2010 Tilman  
 D628,334 S 11/2010 Yamada  
 D634,878 S 3/2011 Guercio  
 D636,923 S \* 4/2011 De Bevilacqua ..... D26/85  
 D638,568 S \* 5/2011 Wang ..... D26/85  
 D638,977 S \* 5/2011 Heyrman ..... D26/85  
 D652,978 S 1/2012 Boissevain  
 D679,436 S 4/2013 Gismondi  
 D695,937 S 12/2013 Duquette  
 D713,987 S 9/2014 Toms  
 D736,983 S 8/2015 Dal Ponte  
 D736,984 S 8/2015 Dal Ponte  
 D746,504 S \* 12/2015 Sabernig ..... D26/85

D771,855 S 11/2016 Dal Ponte  
 D780,981 S 3/2017 Dal Ponte  
 RE46,516 E \* 8/2017 Bryant ..... D26/85  
 D800,941 S \* 10/2017 Shundong ..... D26/72  
 2008/0094838 A1 4/2008 Russello  
 2010/0208460 A1 8/2010 Ladewig  
 2013/0182417 A1\* 7/2013 Amat Girbau ..... F21V 21/02  
 362/147

OTHER PUBLICATIONS

Eclipse Square Wall Sconce by Astro Lighting, available from ylighting.com, visited Jun. 9, 2021. (Year: 2021).\*  
 Alume AWL.60 Wall Sconce by LumenArt, available from ylighting.com, as early as Jun. 8, 2017. (Year: 2017).\*  
 Square Wall Lamp by La Reference, Architonic ID: 1189014, from architonic.com, visited Jun. 9, 2021. (Year: 2021).\*  
 Ascent Streetlight in the Street Furniture/Lighting Brochure downloaded from felgroup.co.nz (2009).

\* cited by examiner

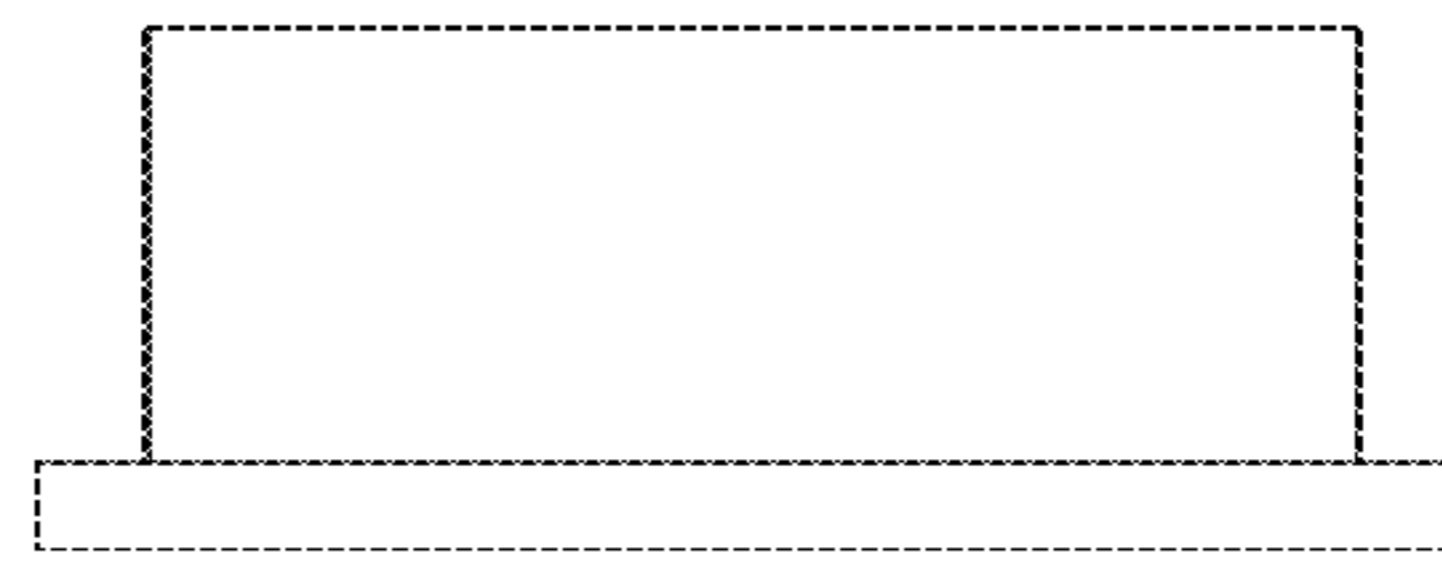


FIG. 3

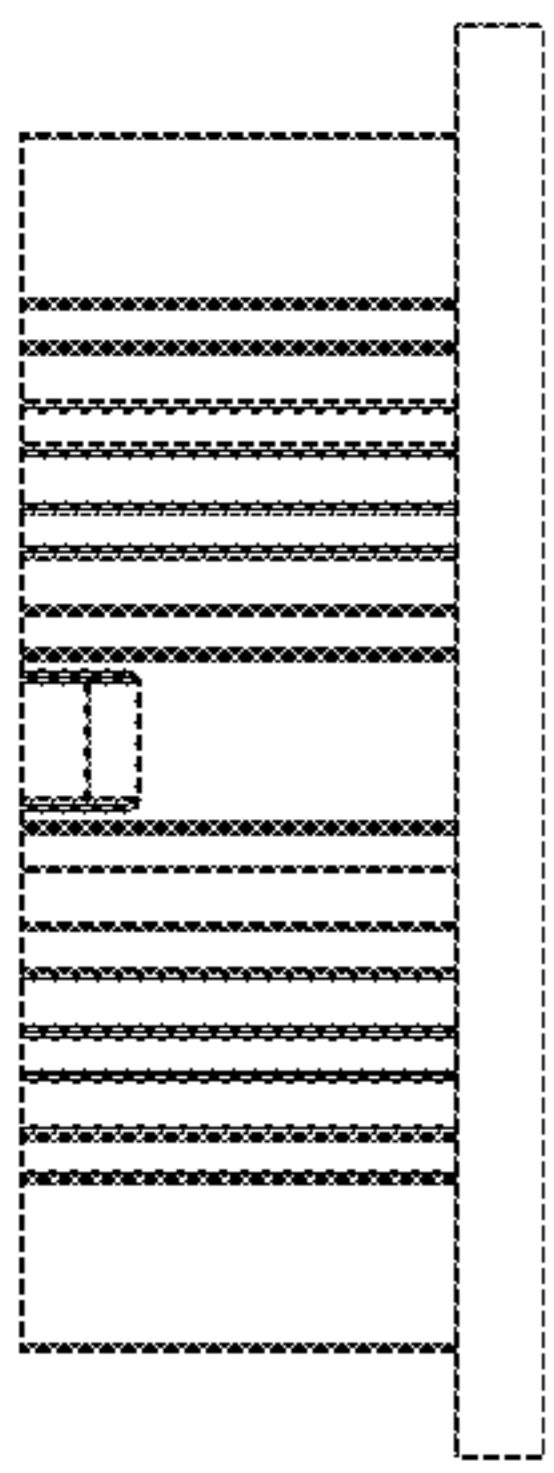


FIG. 4

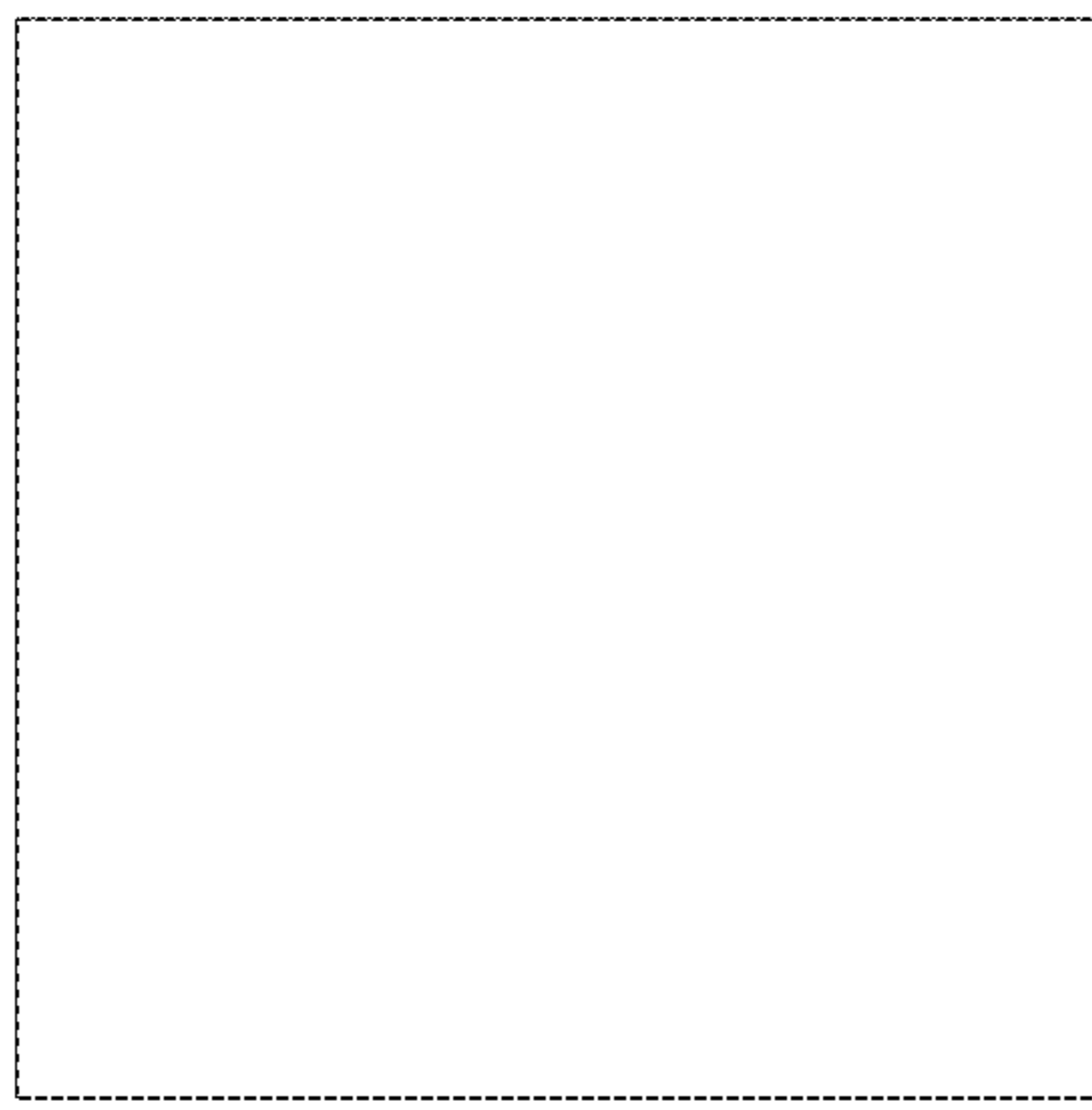


FIG. 1

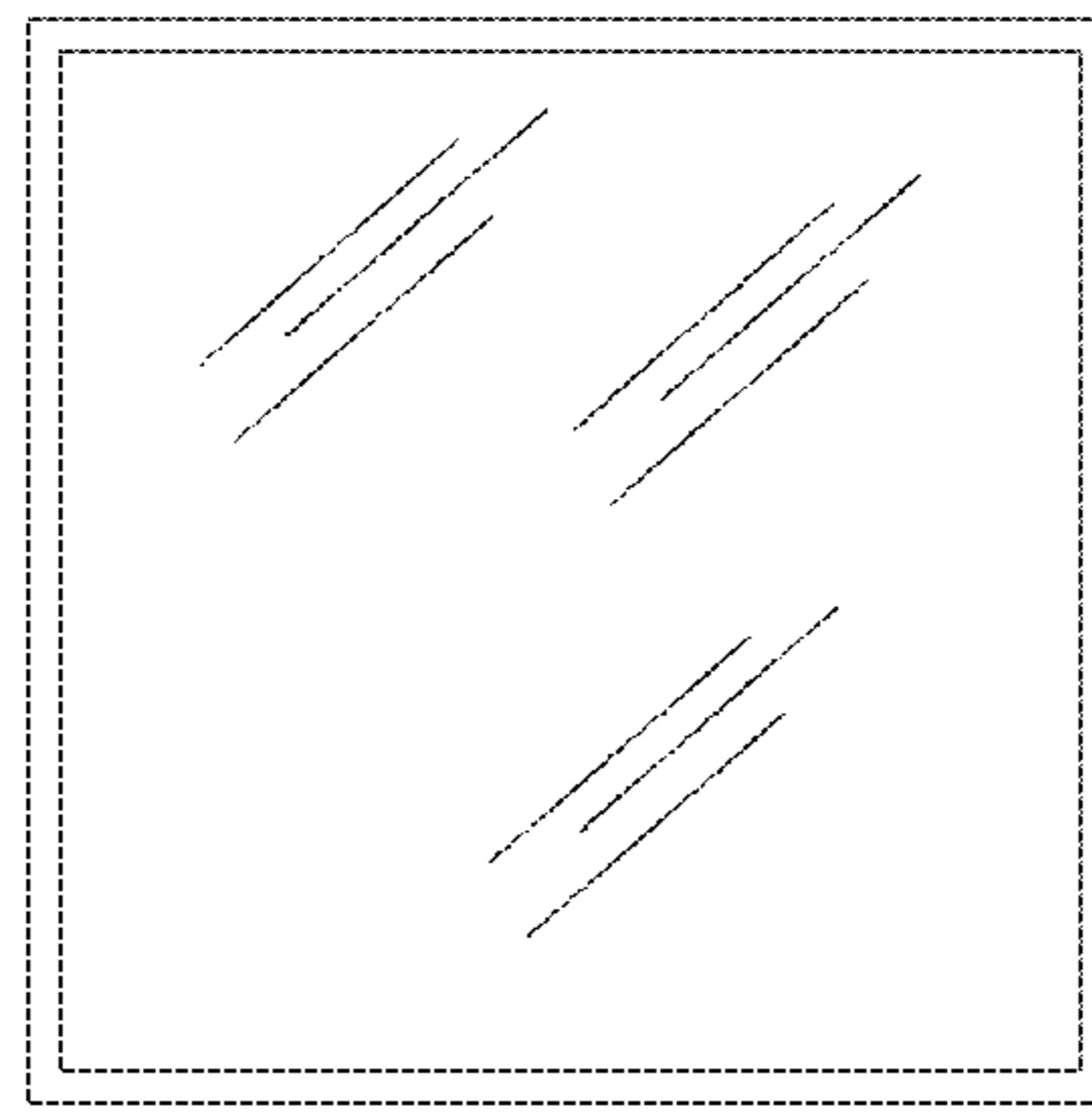


FIG. 2

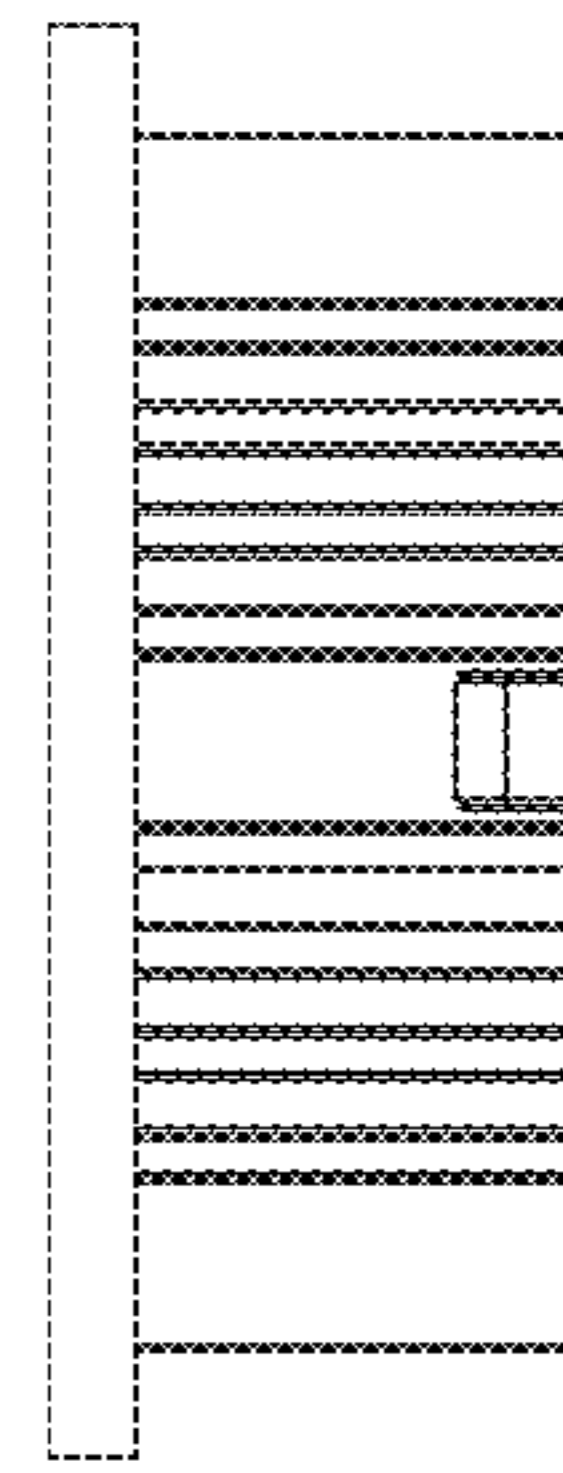


FIG. 5

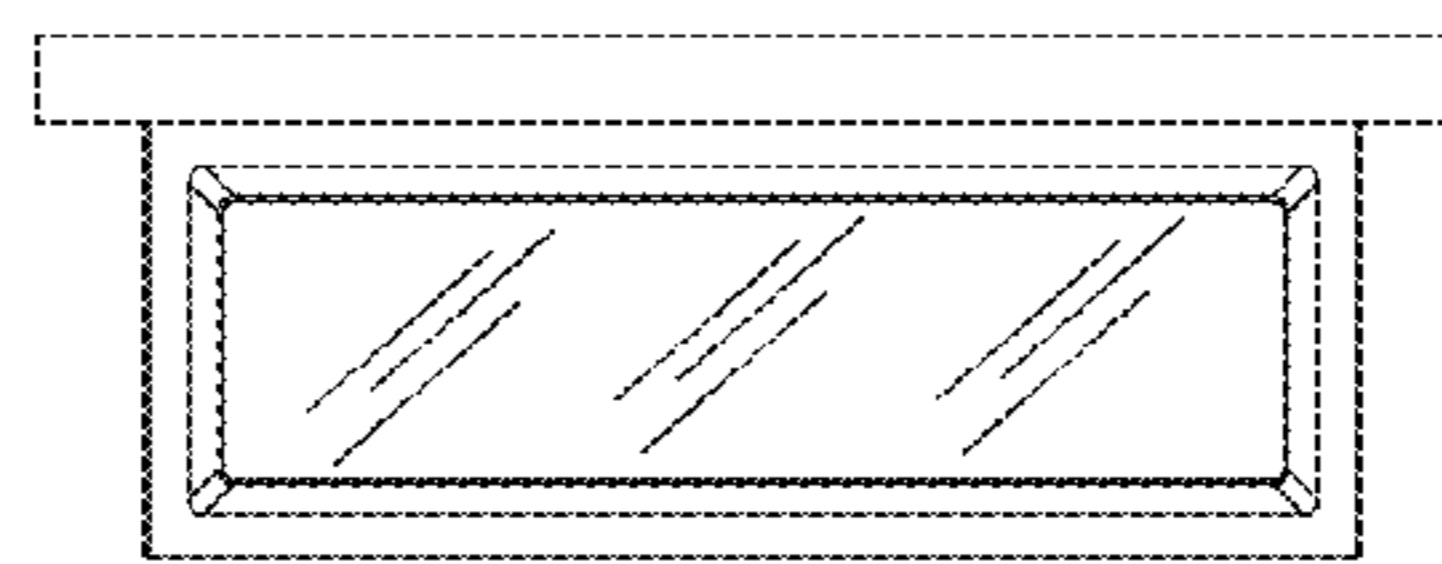


FIG. 6

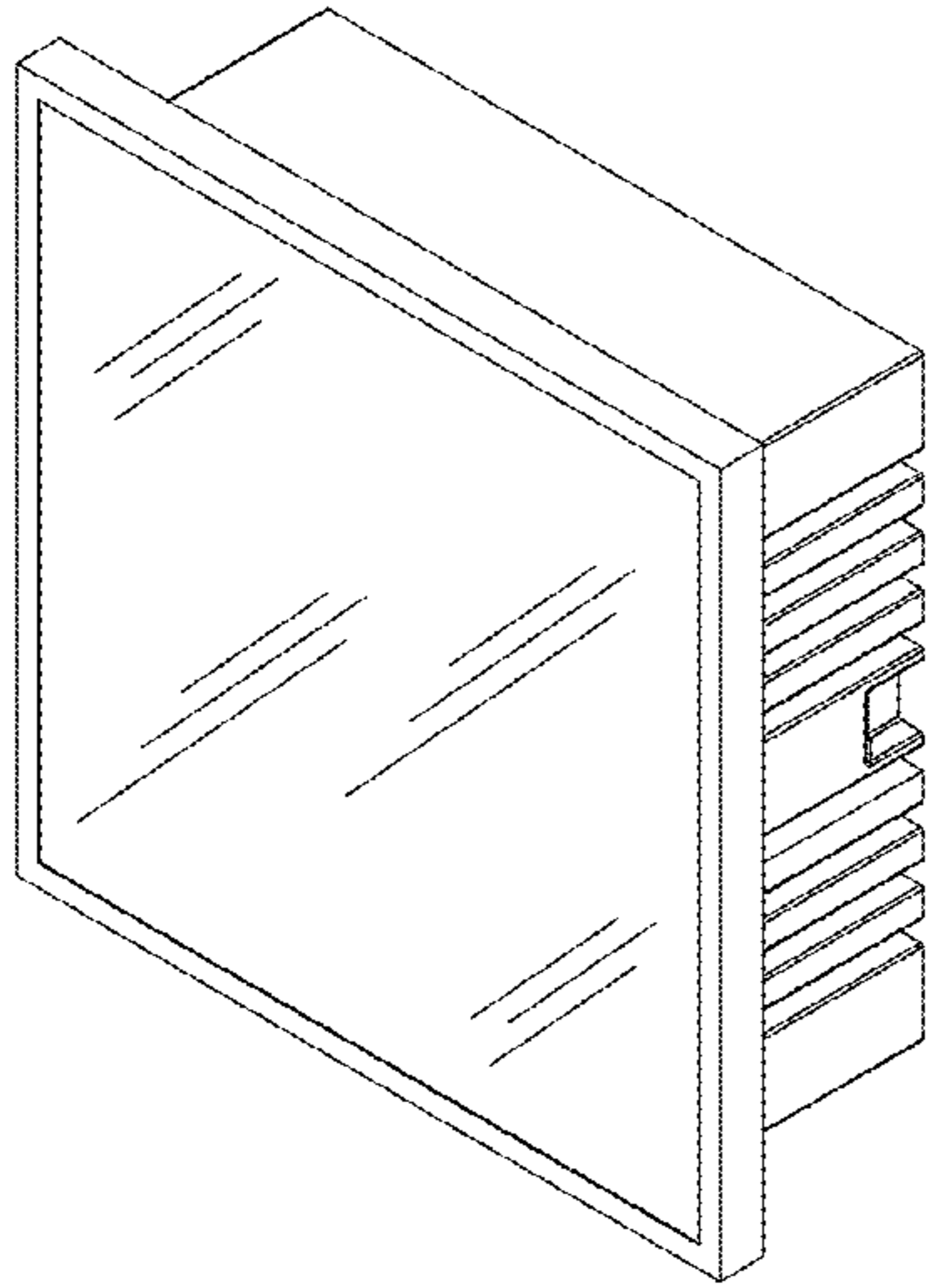


FIG. 7

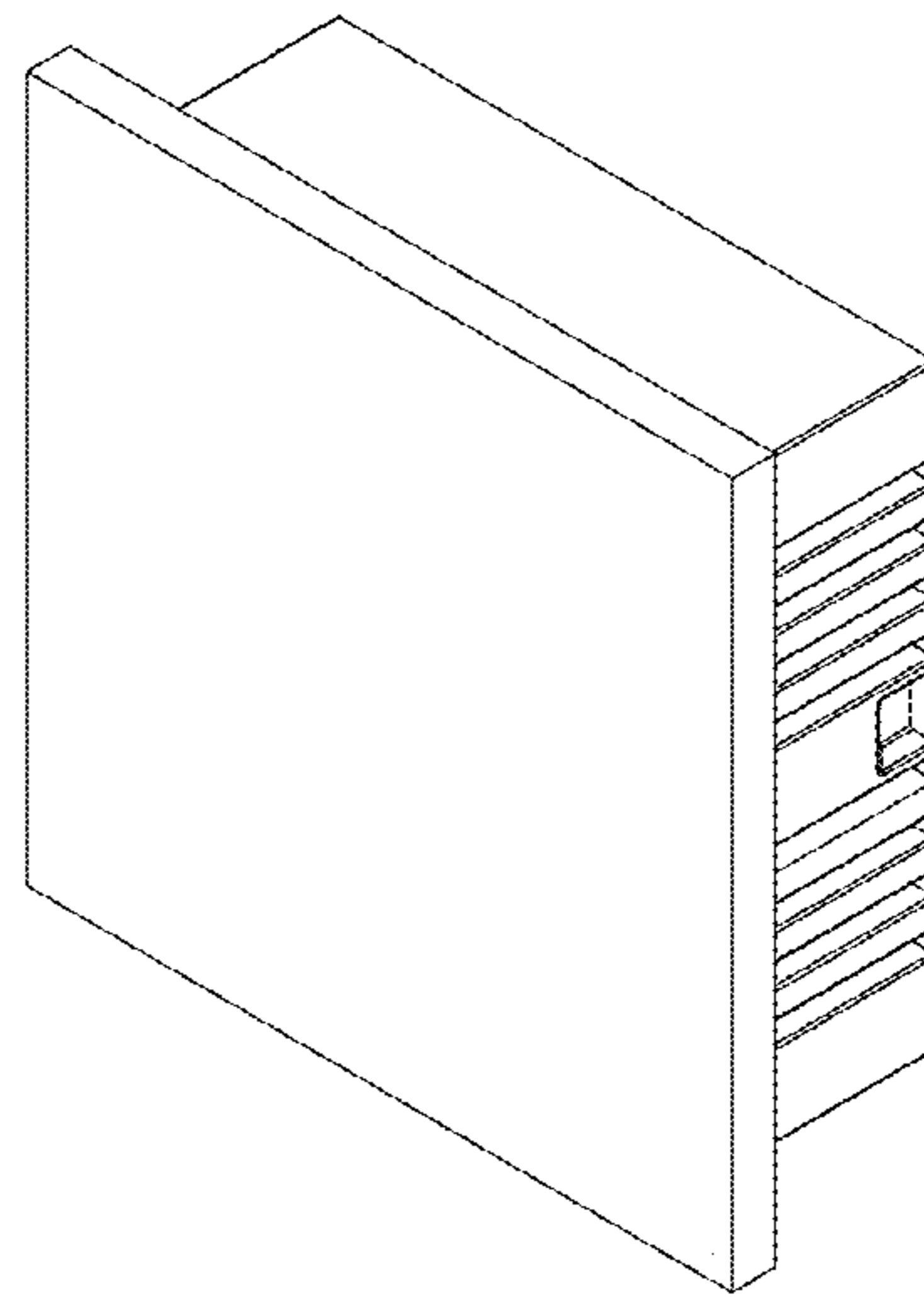


FIG. 9

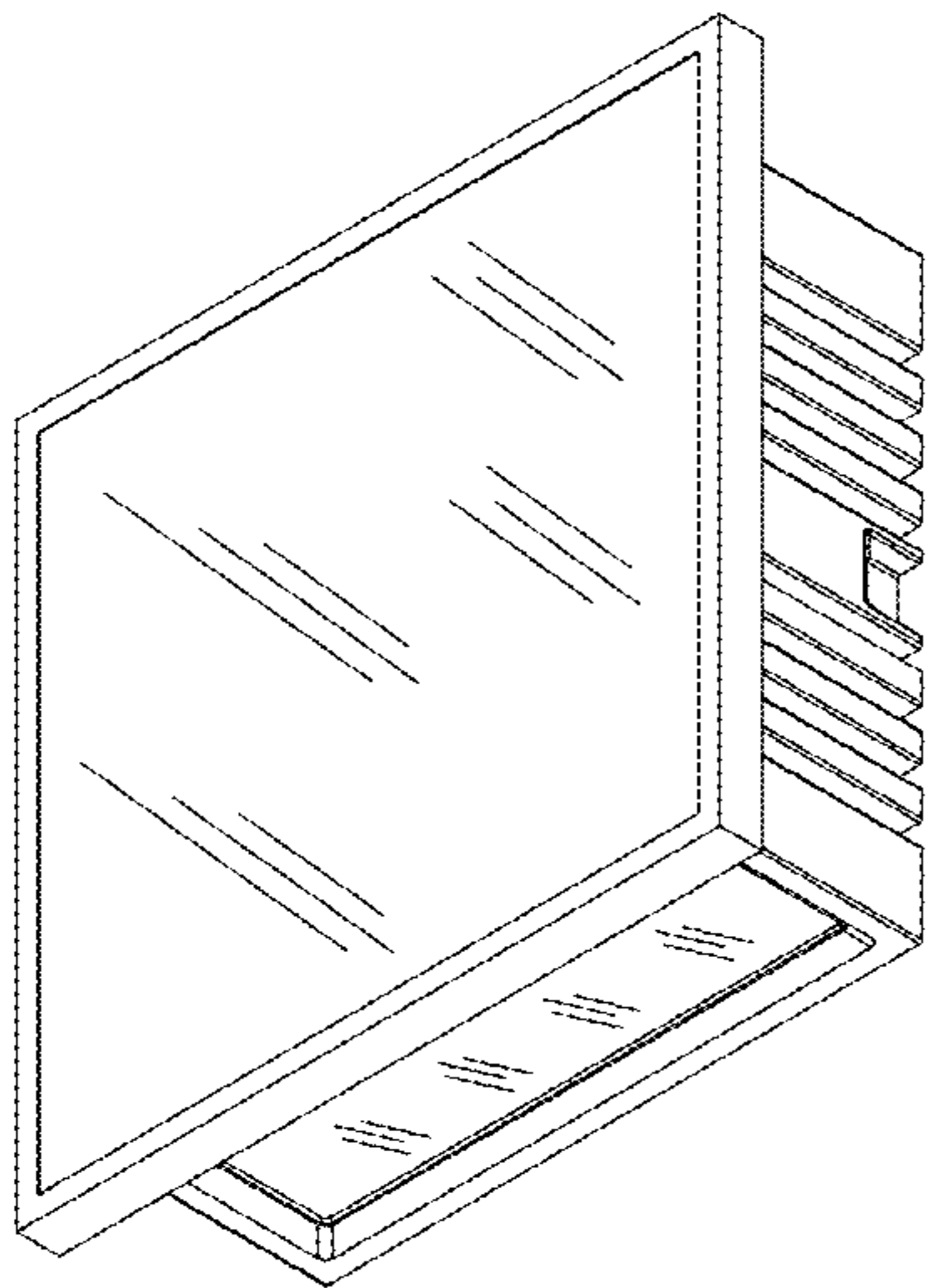


FIG. 8

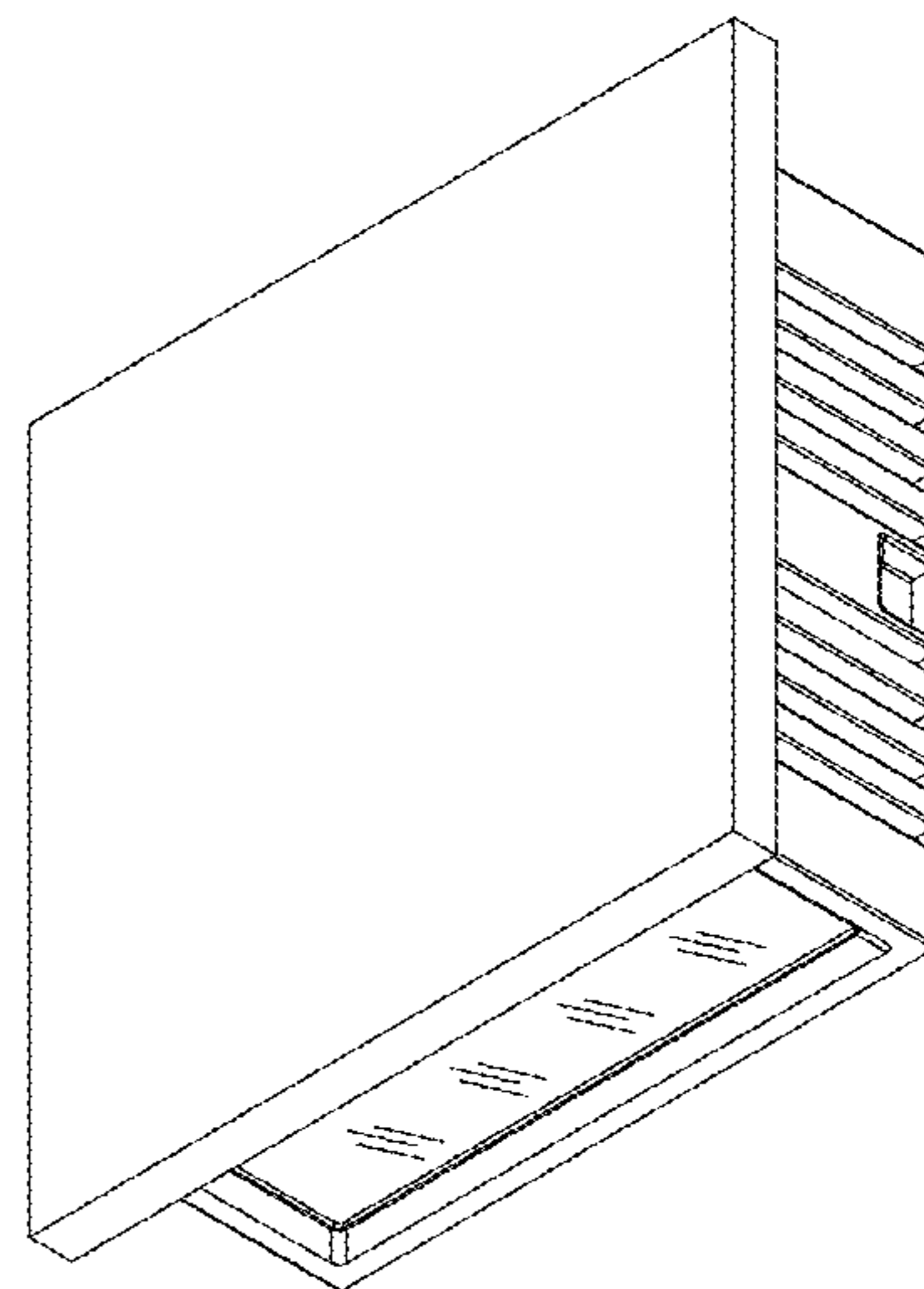


FIG. 10