



US00D933279S

(12) **United States Design Patent**
Wang

(10) **Patent No.:** **US D933,279 S**

(45) **Date of Patent:** **** Oct. 12, 2021**

(54) **LAMP**

(71) Applicant: **Jian Wang**, Wenzhou (CN)

(72) Inventor: **Jian Wang**, Wenzhou (CN)

(**) Term: **15 Years**

(21) Appl. No.: **29/753,117**

(22) Filed: **Sep. 30, 2020**

(51) **LOC (13) Cl.** **26-03**

(52) **U.S. Cl.**
USPC **D26/83; D26/89**

(58) **Field of Classification Search**
USPC D26/85, 88, 89, 91, 118, 72, 81, 83, 84
CPC F21S 8/03; F21S 8/033; F21S 8/036; F21S
8/04; F21S 8/043; F21S 8/046; F21S
8/06; F21S 8/061; F21S 8/063; F21S
8/065

See application file for complete search history.

(56) **References Cited**

U.S. PATENT DOCUMENTS

D71,538 S *	11/1926	Wellman	D26/85
D214,186 S *	5/1969	Meltzer	D26/85
D501,059 S *	1/2005	Curtin	D26/118
D551,382 S *	9/2007	Curtin	D26/89
D578,243 S *	10/2008	Salatto-Rose	D26/89
D698,969 S	2/2014	Johns		
D727,553 S	4/2015	Tien et al.		
D773,717 S *	12/2016	Amato	D26/89
D775,758 S *	1/2017	Amato	D26/89
D831,262 S *	10/2018	Amato	D26/88
D877,959 S *	3/2020	Birchfield	D26/81
D886,357 S *	6/2020	Gambrel	D26/89
D887,619 S *	6/2020	Chen	D26/88

D894,467 S *	8/2020	Xu	D26/88
D895,193 S *	9/2020	Gong	D26/88
D897,025 S *	9/2020	Gong	D26/81

OTHER PUBLICATIONS

Fivess Lighting, Rustic Farmhouse Flush-Mount Light Fixture, ASIN: B083JFMR16, available at amazon.com Jan. 29, 2020. (Year: 2020).*

Zitrades Rustic Flush Mount Ceiling Light Fixture, ASIN: B08JLSD5QW, available at amazon.com Sep. 21, 2020. (Year: 2020).*

Fivess Lighting Rustic Farmhouse Flush Mount Light Fixture, ASIN: B08FYR43FH, available at amazon.com Aug. 16, 2020. (Year: 2020).*

Eyassi 4-Light Wooden Flush Mount Ceiling Light, ASIN: B08FSTLXMW, available at amazon.com Aug. 22, 2020. (Year: 2020).*

* cited by examiner

Primary Examiner — Clare E Hefflin

(57) **CLAIM**

The ornamental design for a lamp, as shown and described.

DESCRIPTION

FIG. 1 is a top perspective view of a lamp showing my new design;

FIG. 2 is a bottom perspective view thereof;

FIG. 3 is a front elevational view thereof;

FIG. 4 is a rear elevational view thereof;

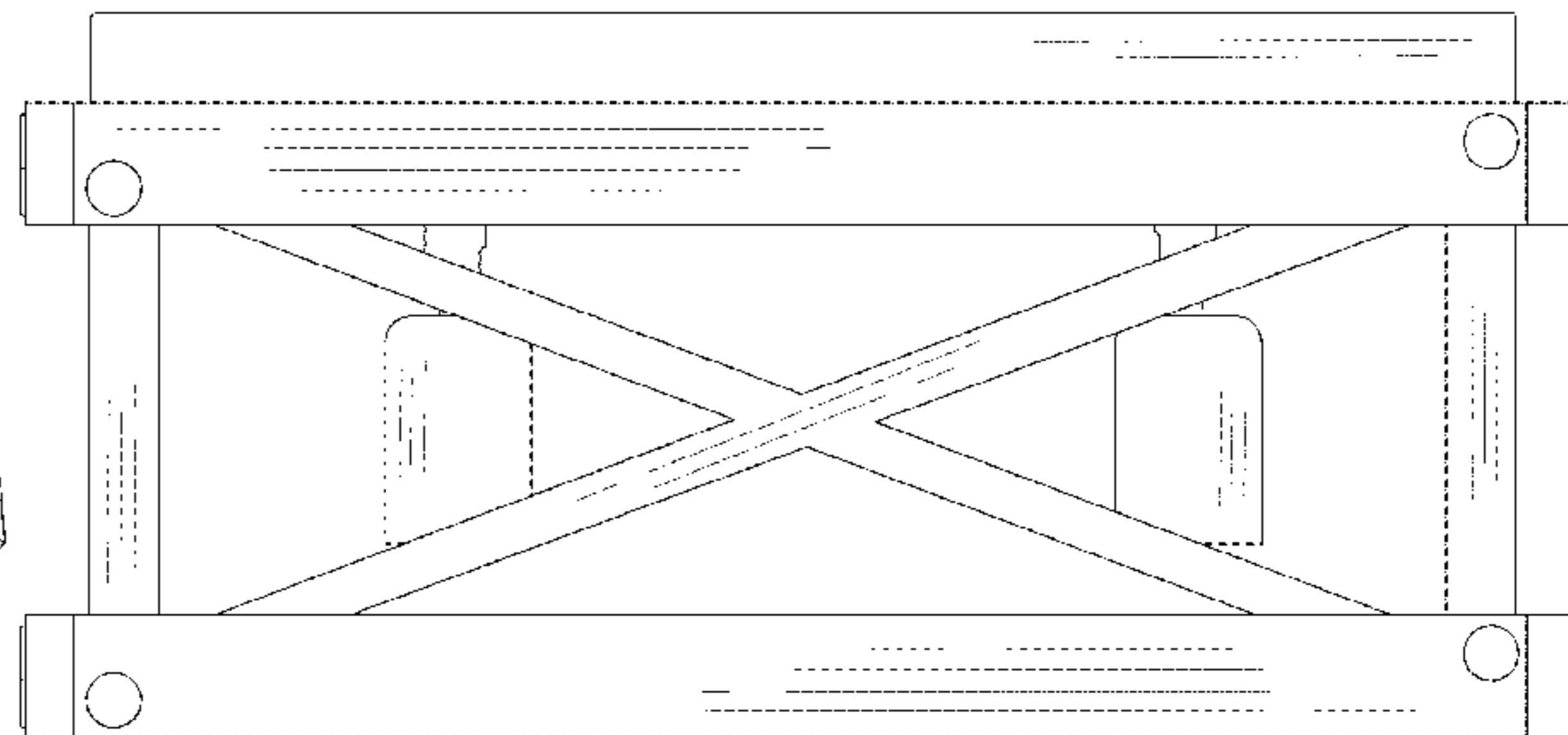
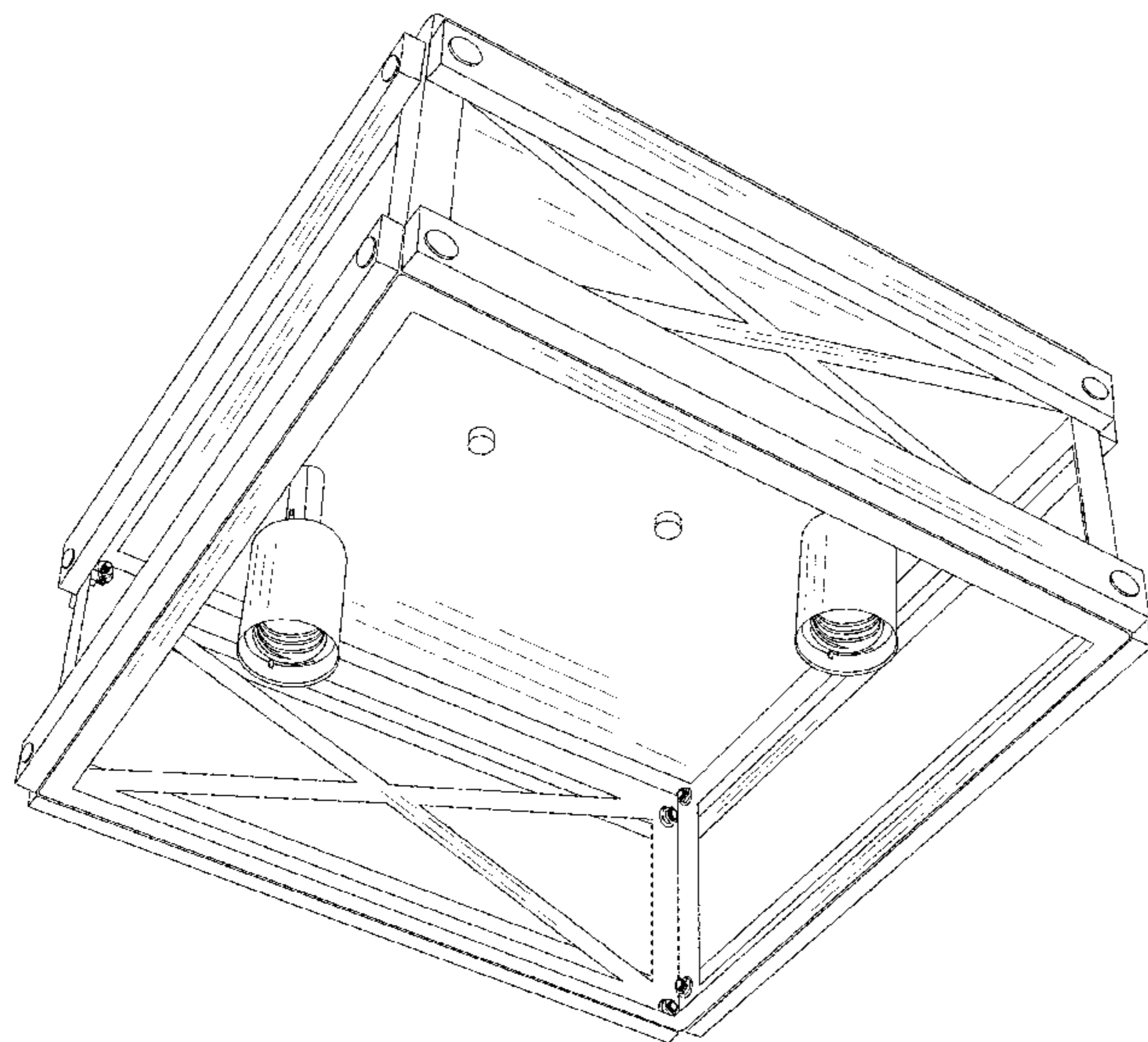
FIG. 5 is a left side elevational view thereof;

FIG. 6 is a right side elevational view thereof;

FIG. 7 is a bottom plan view thereof; and,

FIG. 8 is a top plan view thereof.

1 Claim, 8 Drawing Sheets



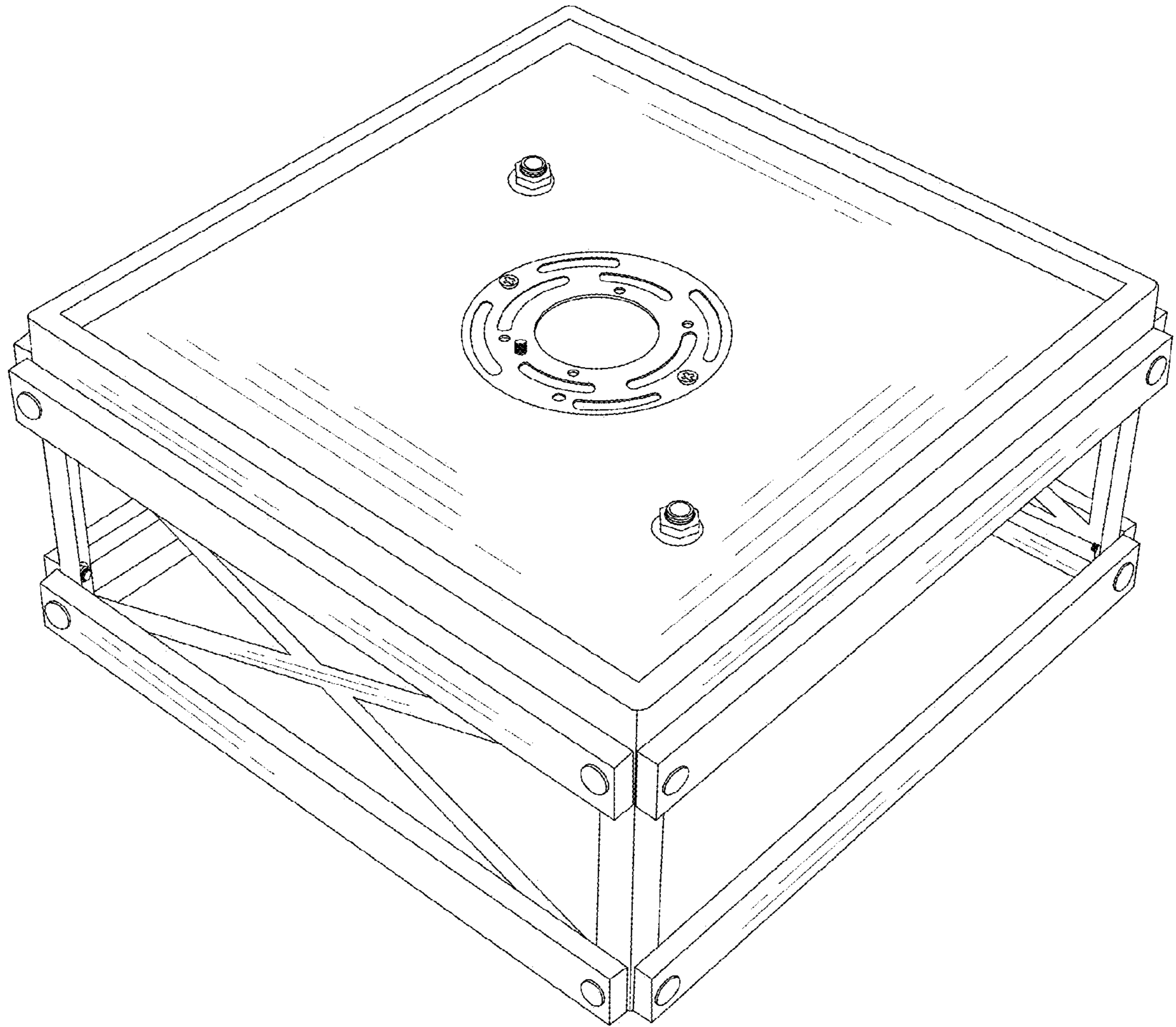


FIG. 1

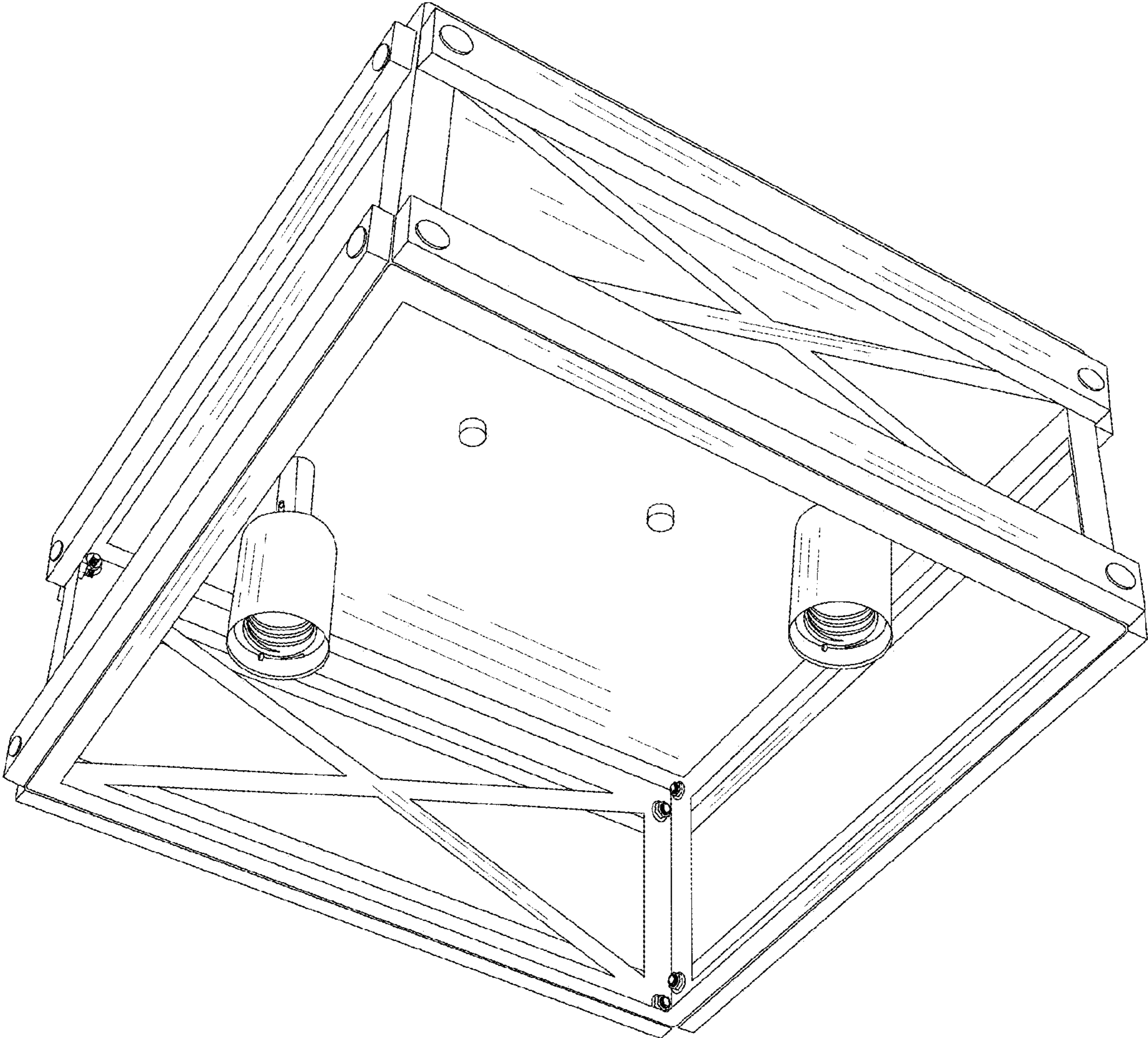


FIG. 2

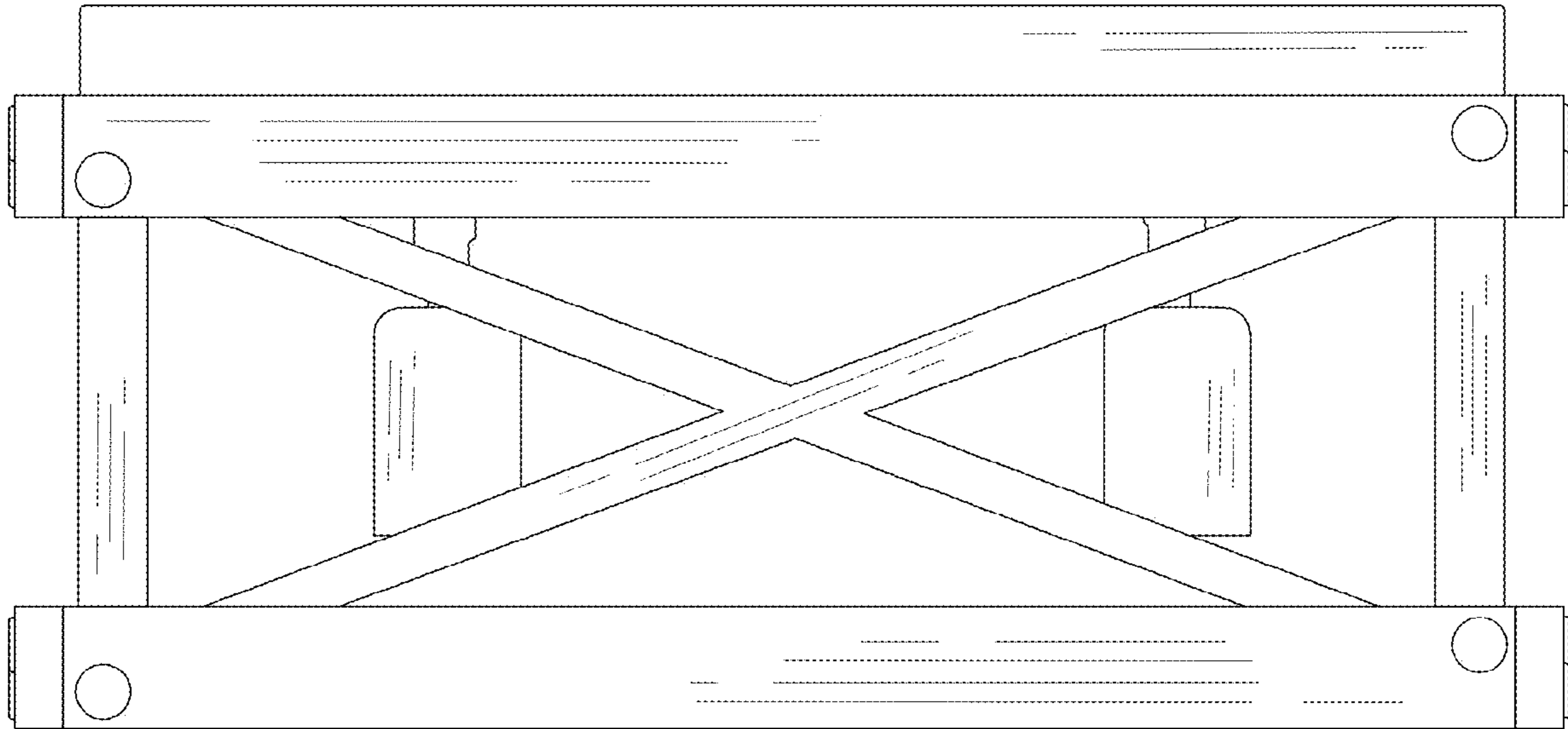


FIG. 3

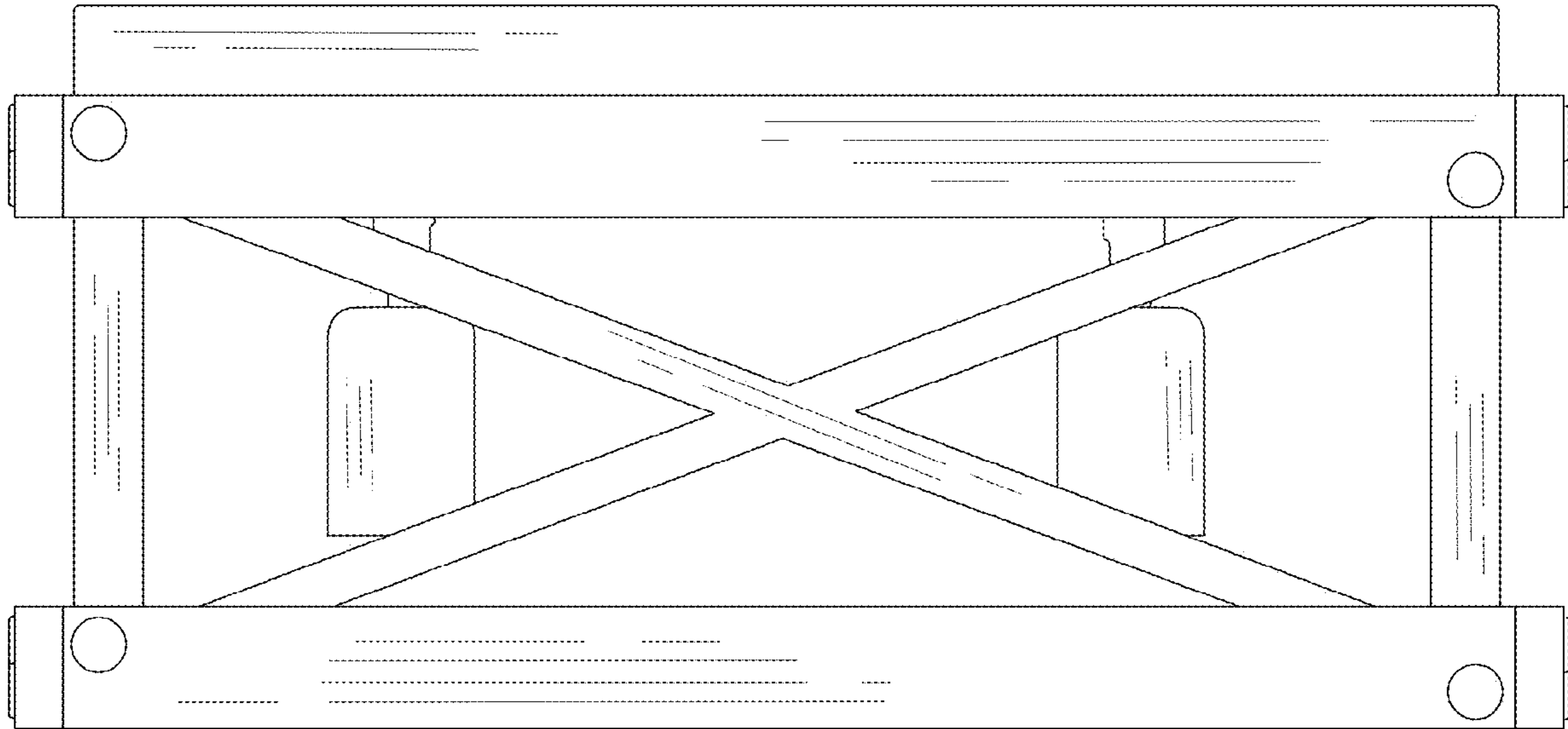


FIG. 4

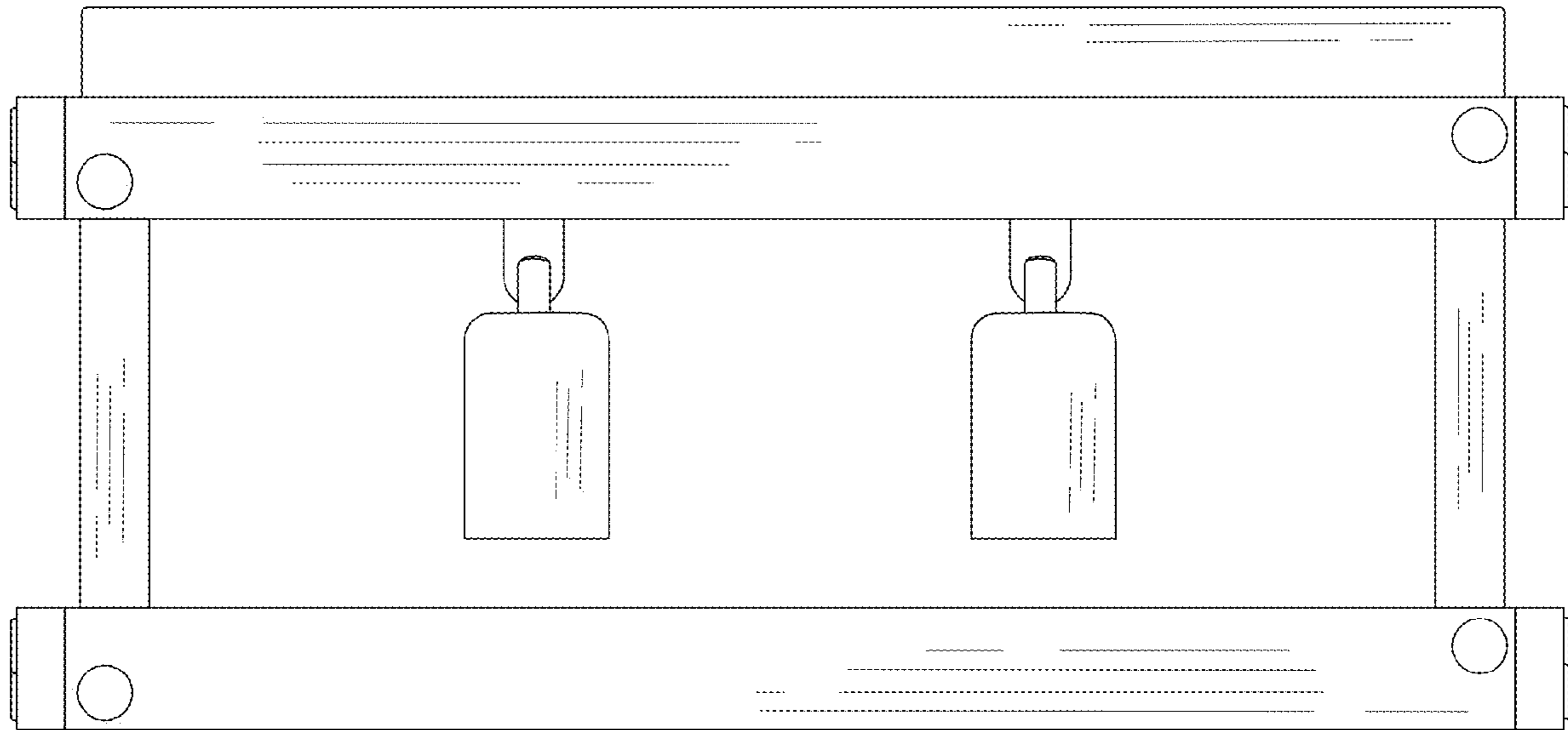


FIG. 5

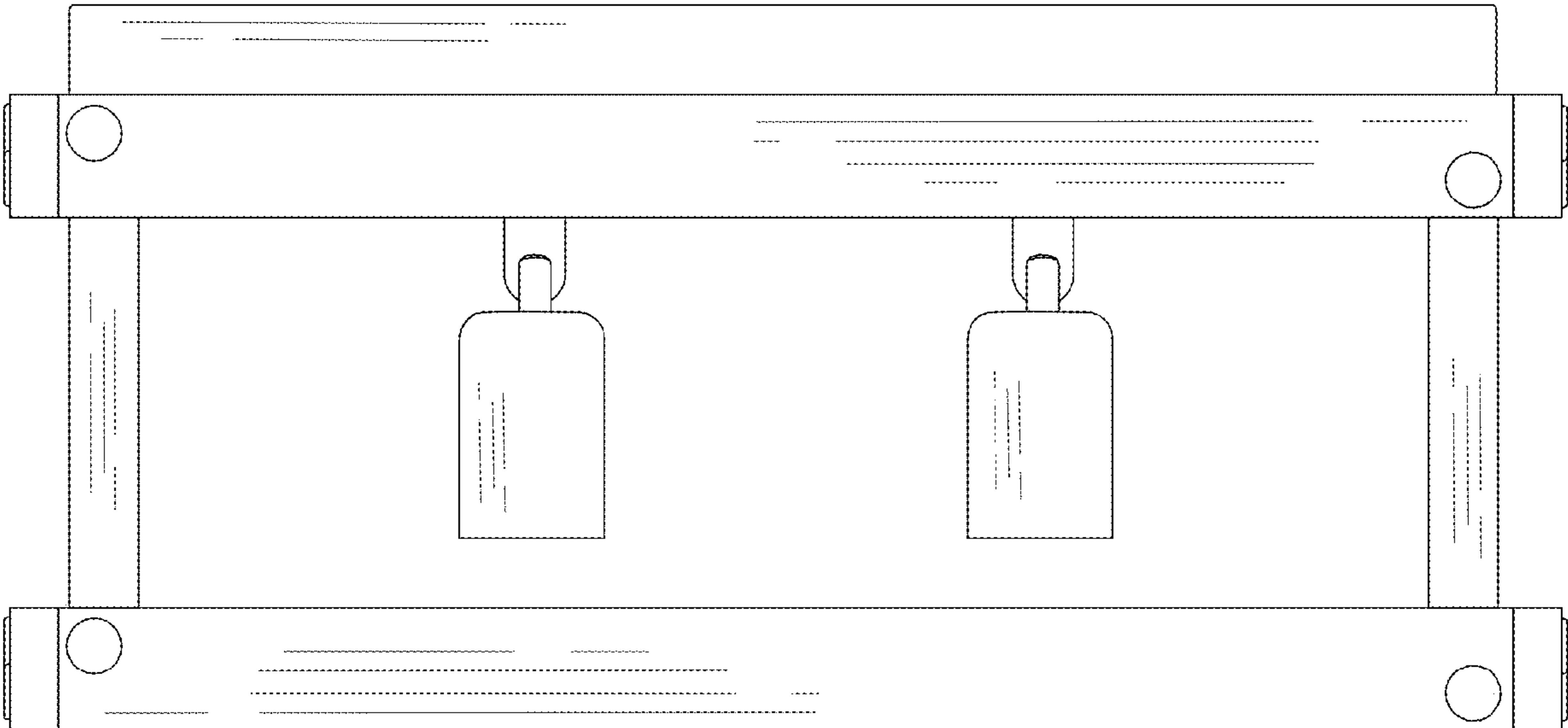


FIG. 6

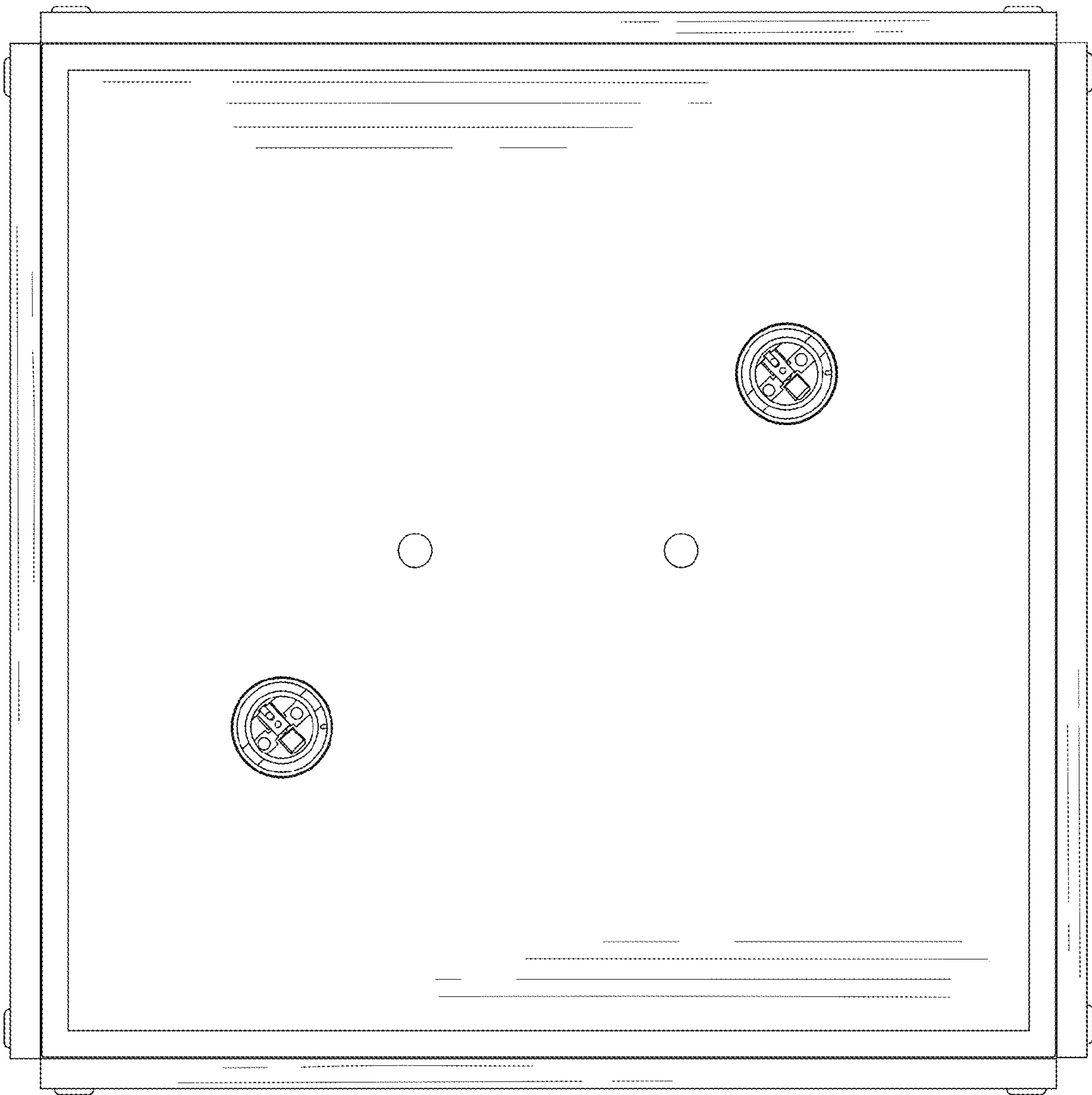


FIG. 7

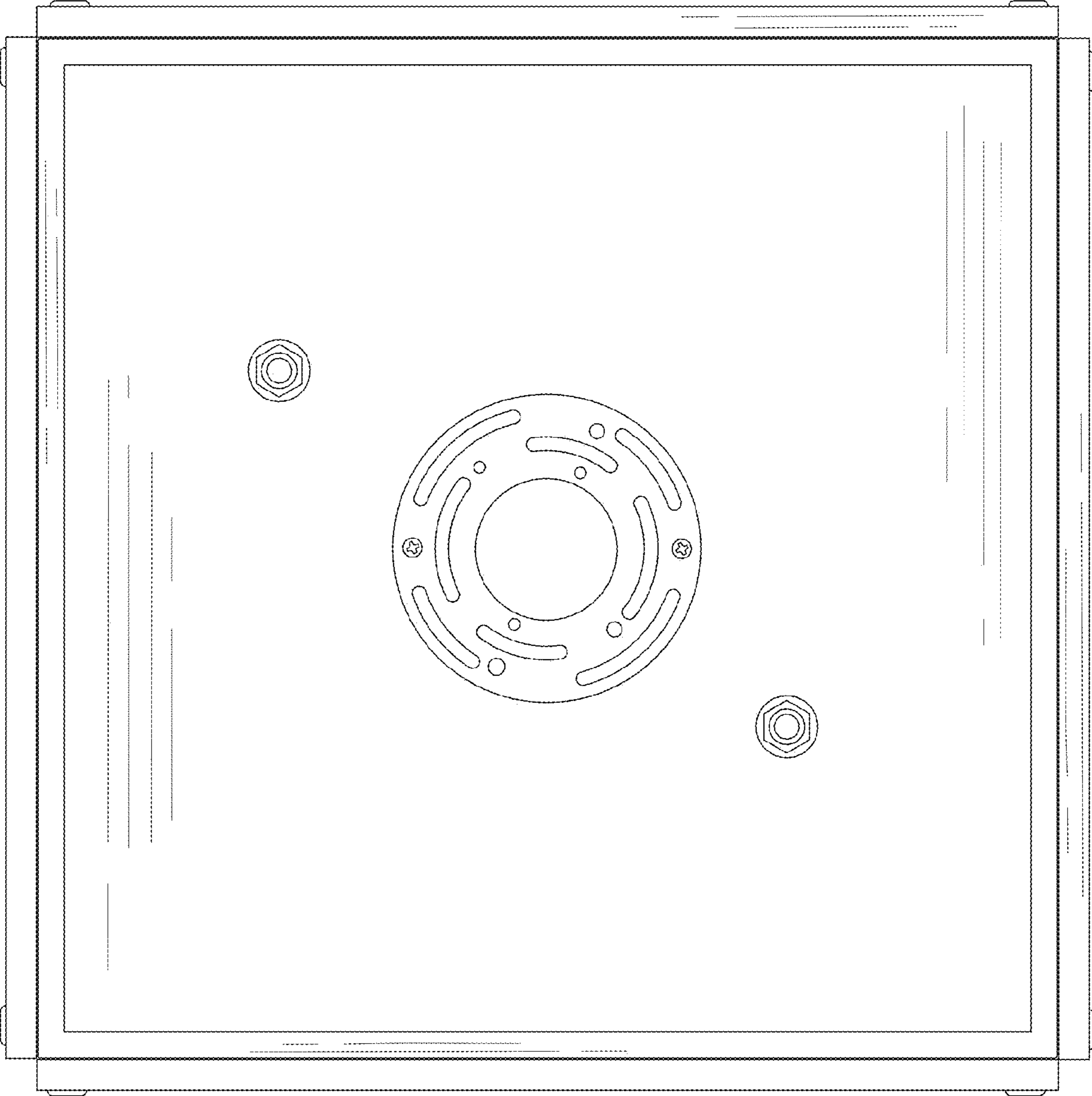


FIG. 8