



US00D933277S

(12) **United States Design Patent**  
**Gauthier**

(10) **Patent No.:** **US D933,277 S**  
(45) **Date of Patent:** **\*\* Oct. 12, 2021**

(54) **IN-GROUND LIGHTING FIXTURE**

(71) Applicant: **Lumenpulse Group Inc.**, Longueuil (CA)

(72) Inventor: **Felix Gauthier**, Montreal (CA)

(73) Assignee: **LMP G INC.**, Longueuil (CA)

(\*\*) Term: **15 Years**

(21) Appl. No.: **29/665,558**

(22) Filed: **Oct. 4, 2018**

(51) **LOC (13) Cl.** ..... **26-05**

(52) **U.S. Cl.**  
USPC ..... **D26/67; D26/74**

(58) **Field of Classification Search**  
USPC ..... **D26/67, 72, 74, 85**  
(Continued)

(56) **References Cited**

**U.S. PATENT DOCUMENTS**

D421,316 S \* 2/2000 Fiorato ..... D26/67  
7,458,330 B2 \* 12/2008 MacDonald ..... B63B 45/02  
114/177

(Continued)

**OTHER PUBLICATIONS**

Lumenpulse® Lumenbeam® Inground brochure dated Jul. 2020 (Year: 2020).\*

*Primary Examiner* — Clare E Heflin

(74) *Attorney, Agent, or Firm* — Burns & Levinson LLP; Joseph M. Maraia

(57) **CLAIM**

The ornamental design for an in-ground lighting fixture, as shown and described.

**DESCRIPTION**

FIG. 1 includes a schematic top view of another embodiment of an in-ground lighting fixture, with a full diffuser optic, for a flush-mount configuration.

FIG. 2 includes a first schematic top perspective view of the in-ground lighting fixture of FIG. 1.

FIG. 3 includes a second schematic top perspective view of the in-ground lighting fixture of FIG. 1, rotated with respect to the view of FIG. 2.

FIG. 4 includes a third schematic top perspective view of the in-ground lighting fixture of FIG. 1, rotated with respect to the view of FIG. 3.

FIG. 5 includes a fourth schematic top perspective view of the in-ground lighting fixture of FIG. 1, rotated with respect to the view of FIG. 4.

FIG. 6 includes a schematic top view of another embodiment of an in-ground lighting fixture, with a louver, for a flush-mount configuration.

FIG. 7 includes a first schematic top perspective view of the in-ground lighting fixture of FIG. 6.

FIG. 8 includes a second schematic top perspective view of the in-ground lighting fixture of FIG. 6, rotated with respect to the view of FIG. 7.

FIG. 9 includes a third schematic top perspective view of the in-ground lighting fixture of FIG. 6, rotated with respect to the view of FIG. 8.

FIG. 10 includes a fourth schematic top perspective view of the in-ground lighting fixture of FIG. 6, rotated with respect to the view of FIG. 9.

FIG. 11 includes a schematic top view of another embodiment of an in-ground lighting fixture, with a full diffuser optic and a louver, for a flush-mount configuration.

FIG. 12 includes a first schematic top perspective view of the in-ground lighting fixture of FIG. 11.

FIG. 13 includes a second schematic top perspective view of the in-ground lighting fixture of FIG. 11, rotated with respect to the view of FIG. 12.

FIG. 14 includes a third schematic top perspective view of the in-ground lighting fixture of FIG. 11, rotated with respect to the view of FIG. 13.

FIG. 15 includes a fourth schematic top perspective view of the in-ground lighting fixture of FIG. 11, rotated with respect to the view of FIG. 14.

FIG. 16 includes a schematic top view of another embodiment of an in-ground lighting fixture, with an anti-slip pattern on a top lens, for a flush-mount configuration.

(Continued)

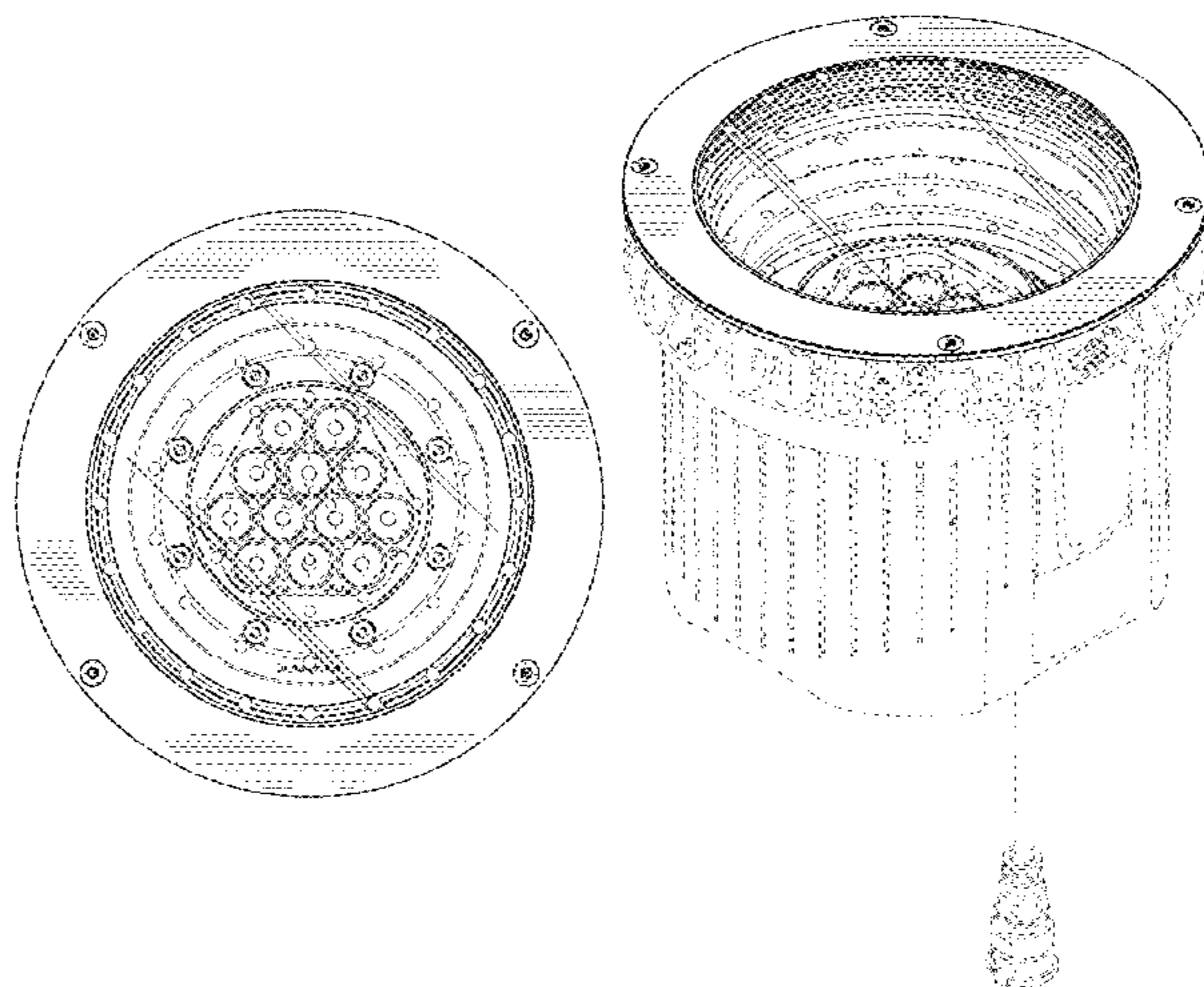




FIG. 61 includes a schematic top view of another embodiment of an in-ground lighting fixture, with a full diffuser optic and an anti-slip pattern on a top lens, for a bevel-mount configuration.

FIG. 62 includes a first schematic top perspective view of the in-ground lighting fixture of FIG. 61.

FIG. 63 includes a second schematic top perspective view of the in-ground lighting fixture of FIG. 61, rotated with respect to the view of FIG. 62.

FIG. 64 includes a third schematic top perspective view of the in-ground lighting fixture of FIG. 61, rotated with respect to the view of FIG. 63.

FIG. 65 includes a fourth schematic top perspective view of the in-ground lighting fixture of FIG. 61, rotated with respect to the view of FIG. 64.

FIG. 66 includes a schematic top view of another embodiment of an in-ground lighting fixture, with an anti-slip pattern on a top lens and a louver, for a bevel-mount configuration.

FIG. 67 includes a first schematic top perspective view of the in-ground lighting fixture of FIG. 66.

FIG. 68 includes a second schematic top perspective view of the in-ground lighting fixture of FIG. 66, rotated with respect to the view of FIG. 67.

FIG. 69 includes a third schematic top perspective view of the in-ground lighting fixture of FIG. 66, rotated with respect to the view of FIG. 68.

FIG. 70 includes a fourth schematic top perspective view of the in-ground lighting fixture of FIG. 66, rotated with respect to the view of FIG. 69.

FIG. 71 includes a schematic top view of another embodiment of an in-ground lighting fixture, with an anti-slip pattern on a top lens, a full diffuser optic and a louver, for a bevel-mount configuration.

FIG. 72 includes a first schematic top perspective view of the in-ground lighting fixture of FIG. 71.

FIG. 73 includes a second schematic top perspective view of the in-ground lighting fixture of FIG. 71, rotated with respect to the view of FIG. 72.

FIG. 74 includes a third schematic top perspective view of the in-ground lighting fixture of FIG. 71, rotated with respect to the view of FIG. 73.

FIG. 75 includes a fourth schematic top perspective view of the in-ground lighting fixture of FIG. 71, rotated with respect to the view of FIG. 74.

FIG. 76 includes a schematic top view of another embodiment of an in-ground lighting fixture, for a bevel-mount configuration.

FIG. 77 includes a first schematic top perspective view of the in-ground lighting fixture of FIG. 76.

FIG. 78 includes a second schematic top perspective view of the in-ground lighting fixture of FIG. 76, rotated with respect to the view of FIG. 77.

FIG. 79 includes a third schematic top perspective view of the in-ground lighting fixture of FIG. 76, rotated with respect to the view of FIG. 78; and,

FIG. 80 includes a fourth schematic top perspective view of the in-ground lighting fixture of FIG. 76, rotated with respect to the view of FIG. 79.

The broken lines shown on the drawings depict portions of the in-ground lighting fixture that form no part of the claimed design.

**1 Claim, 48 Drawing Sheets**

(58) **Field of Classification Search**

CPC .... F21S 8/022; F21S 8/03; F21S 8/032; F21S 8/033; F21S 9/02; F21S 9/037; F21V 21/0824; F21V 21/14; F21V 21/047; F21W 2131/109; F21W 2101/04

See application file for complete search history.

(56) **References Cited**

U.S. PATENT DOCUMENTS

D682,458	S *	5/2013	Calvin .....	D26/74
D726,949	S *	4/2015	Redfern .....	D26/74
D777,967	S *	1/2017	Redfern .....	D26/74
D779,100	S *	2/2017	Redfern .....	D26/74
D786,472	S *	5/2017	Redfern .....	D26/74
D850,696	S *	6/2019	Zhu .....	D26/74
D887,065	S *	6/2020	Speier .....	D26/74
2007/0268705	A1 *	11/2007	Von Preyss .....	F21V 31/03 362/306
2008/0137347	A1	6/2008	Trott et al.	
2010/0061097	A1 *	3/2010	Krogman .....	F21V 21/30 362/249.03
2013/0077305	A1	3/2013	Krogman	
2014/0049957	A1 *	2/2014	Goelz .....	F21V 29/763 362/235
2014/0313744	A1	10/2014	Collias	
2016/0323978	A1 *	11/2016	Raza .....	F21V 15/02
2016/0327258	A1 *	11/2016	Sloan .....	F21V 5/04
2016/0334079	A1 *	11/2016	Donnini .....	F21V 17/12
2016/0377280	A1 *	12/2016	Acampora .....	F21V 31/005 362/294
2017/0211247	A1 *	7/2017	Messiou .....	F21V 7/04
2018/0094776	A1 *	4/2018	She .....	G08B 17/10
2019/0011119	A1 *	1/2019	Zhong .....	F21V 3/061

\* cited by examiner

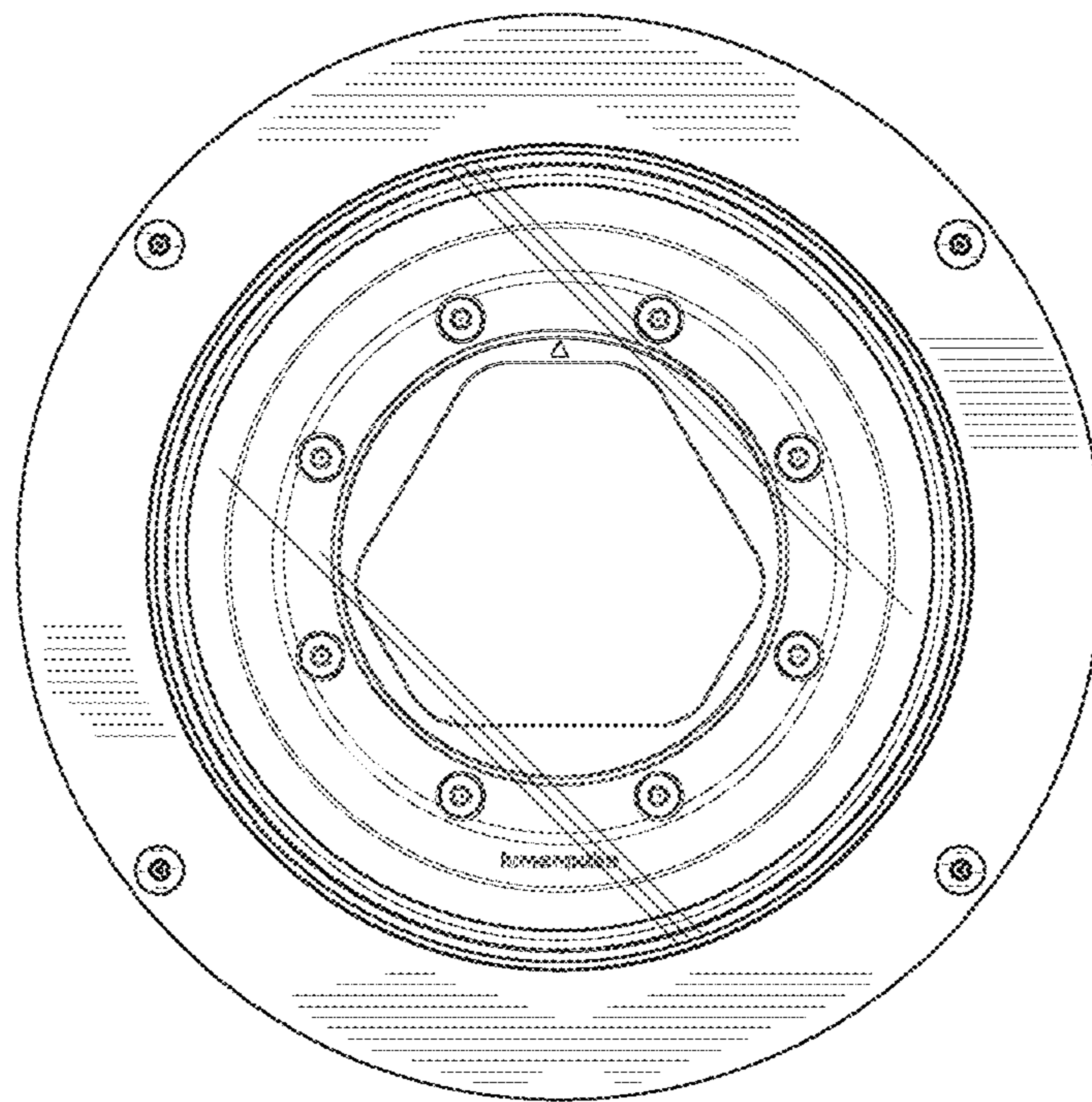


FIG. 1

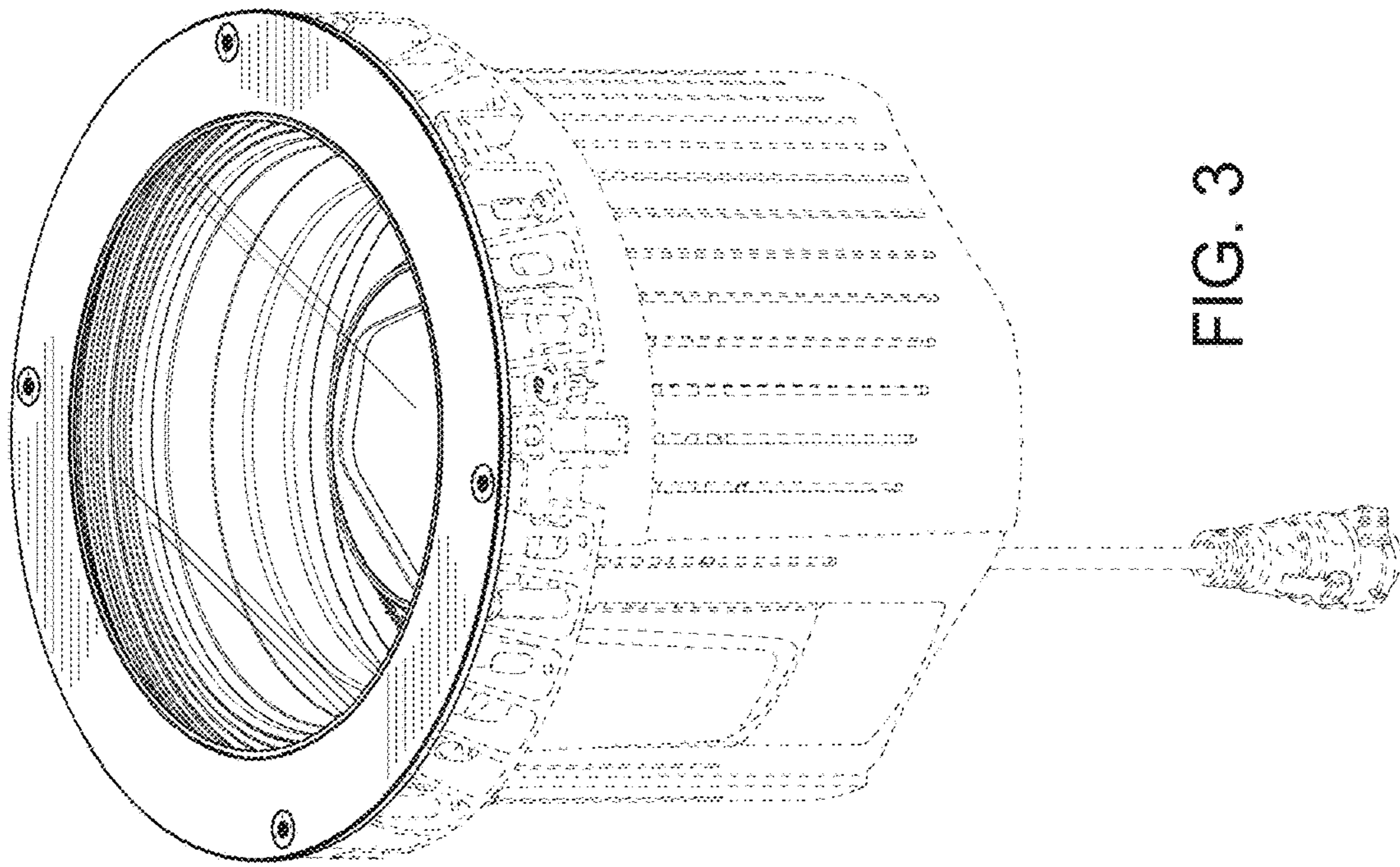


FIG. 3

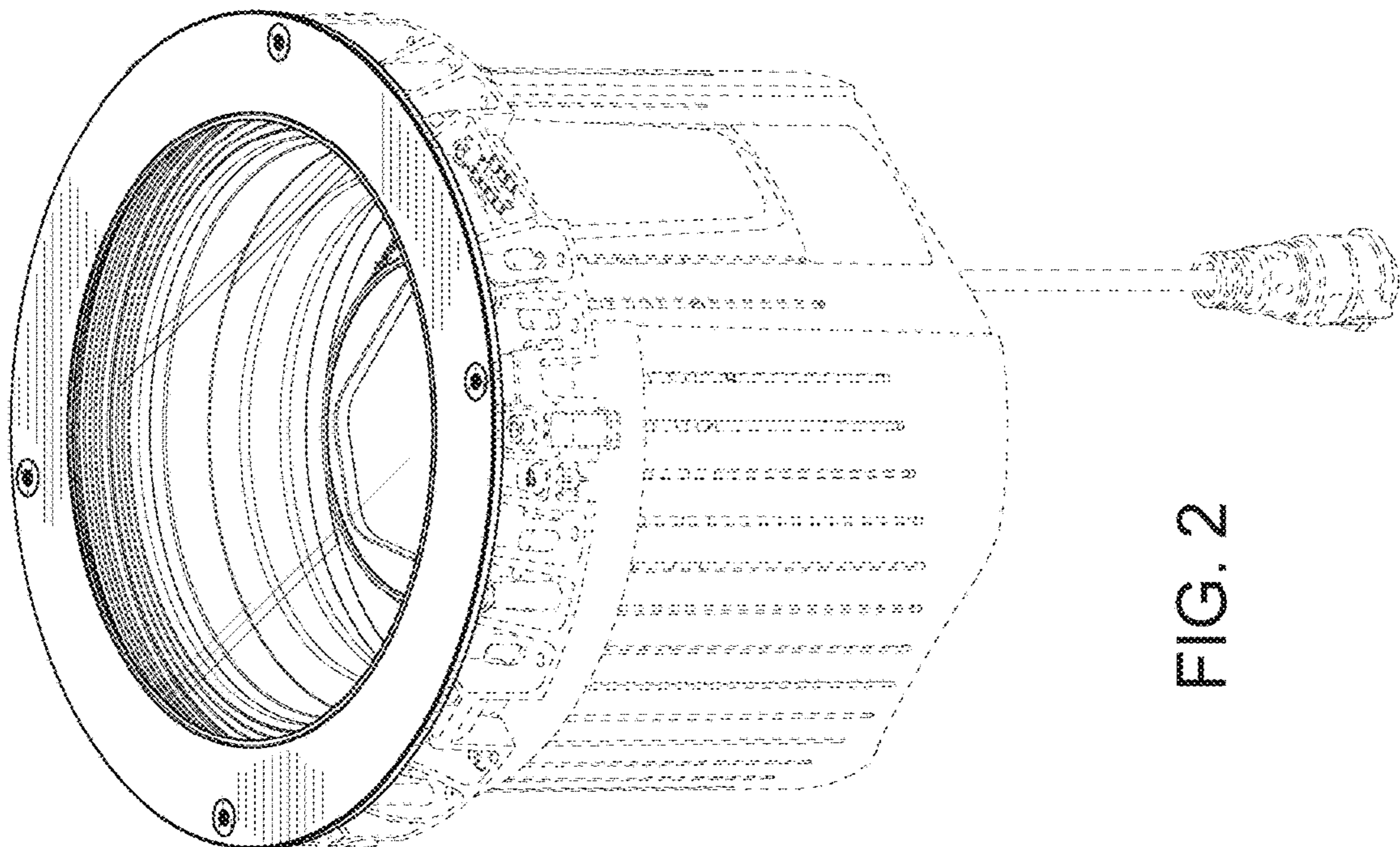


FIG. 2

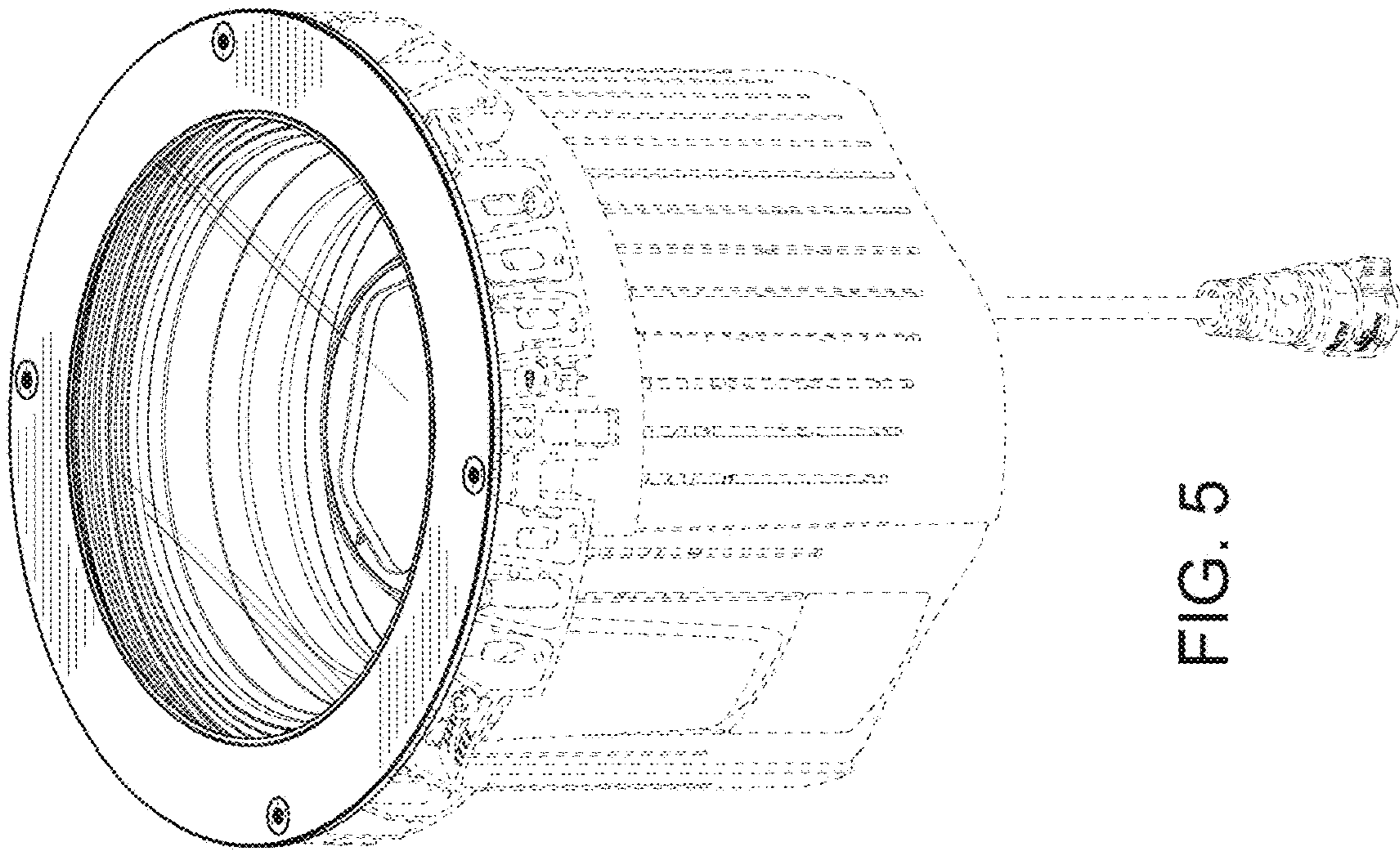


FIG. 5

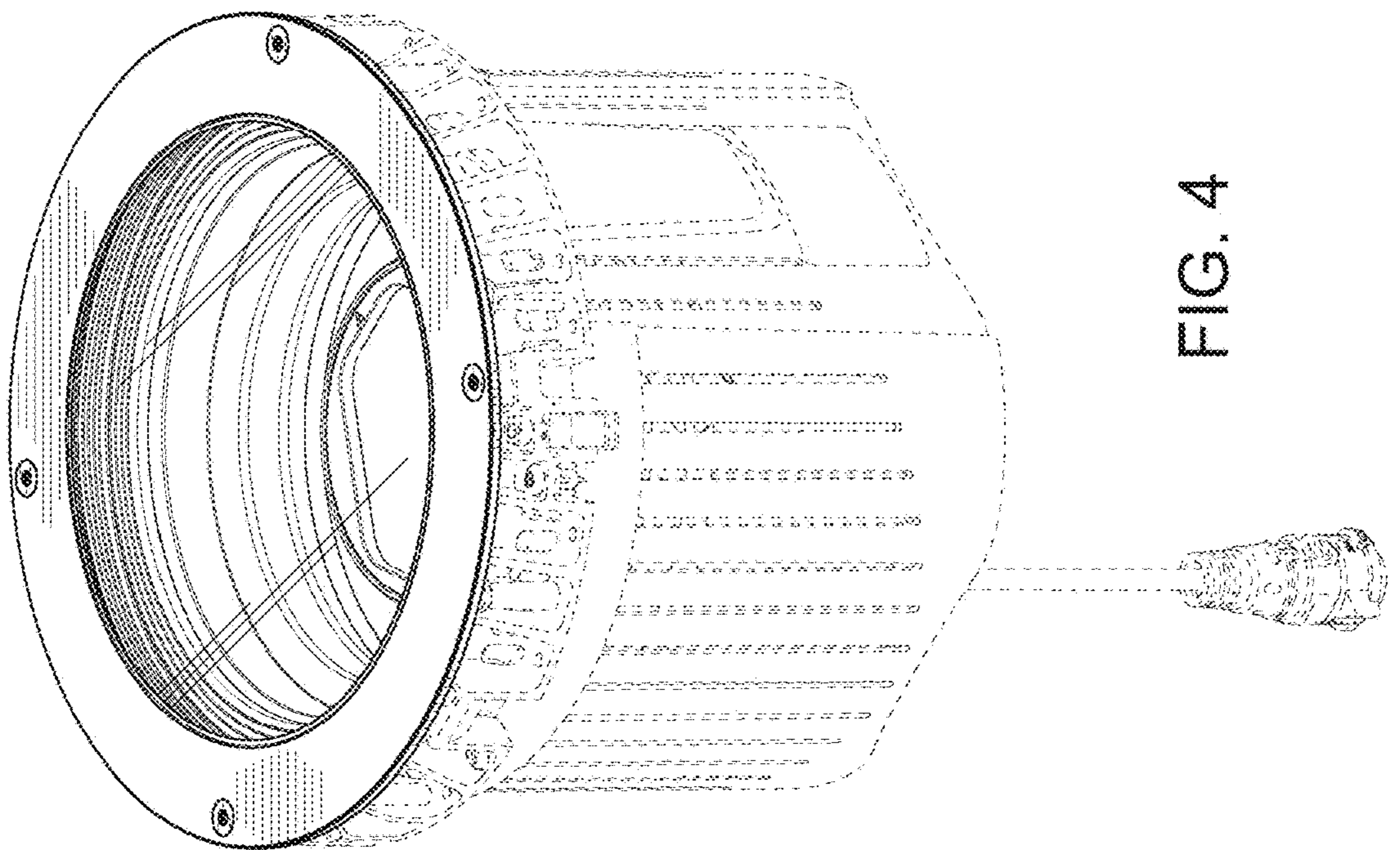


FIG. 4

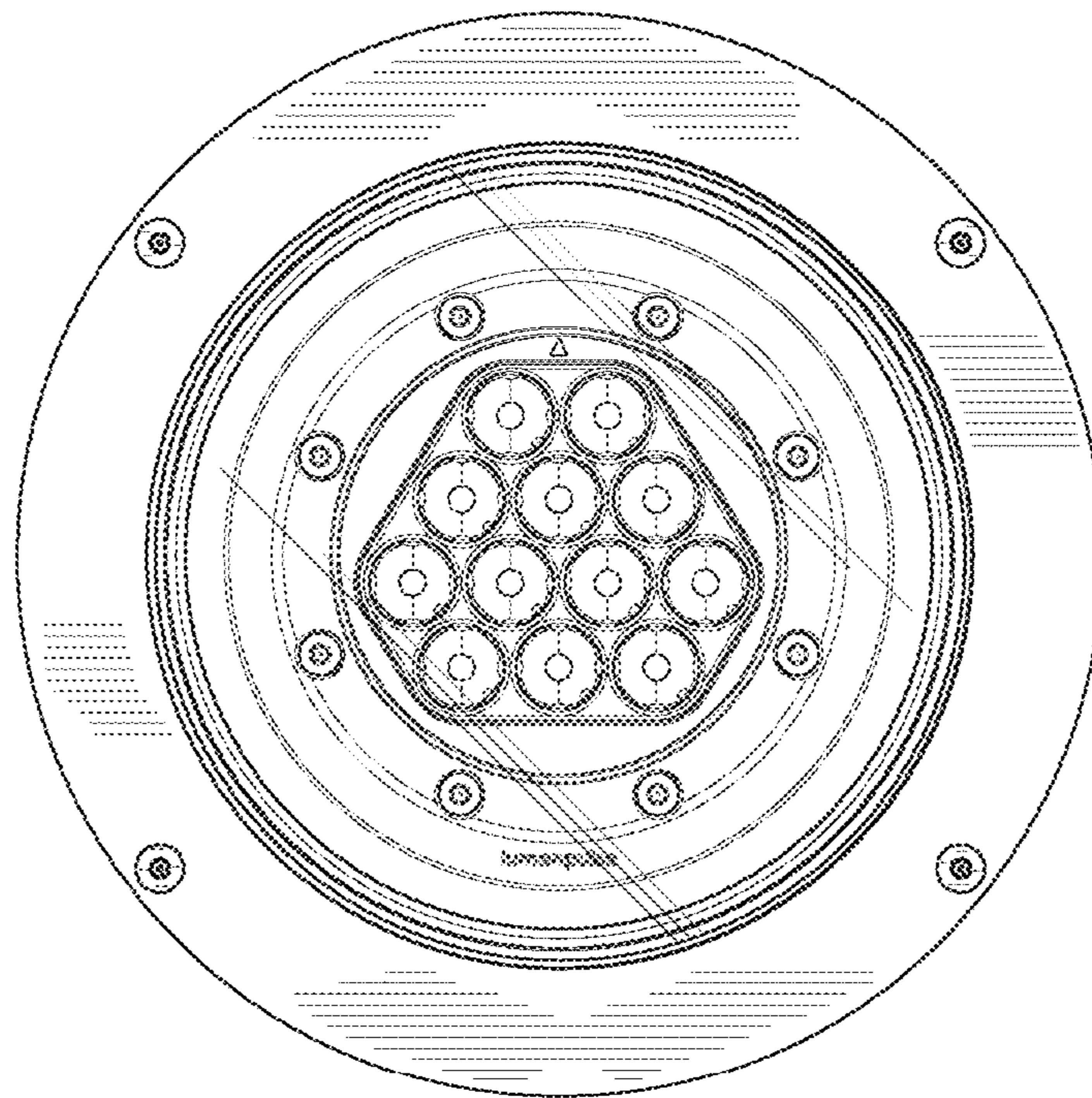


FIG. 6

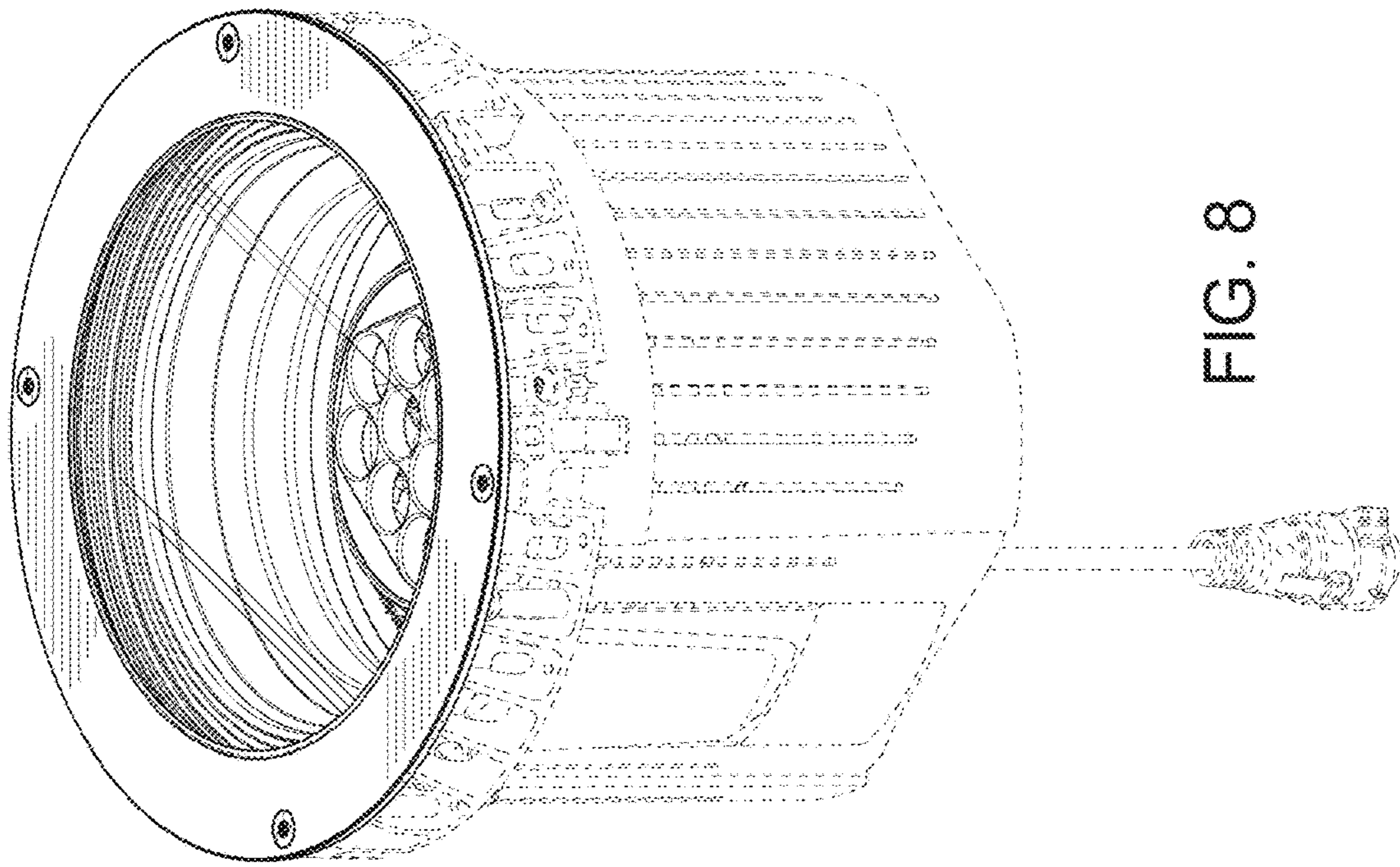


FIG. 8

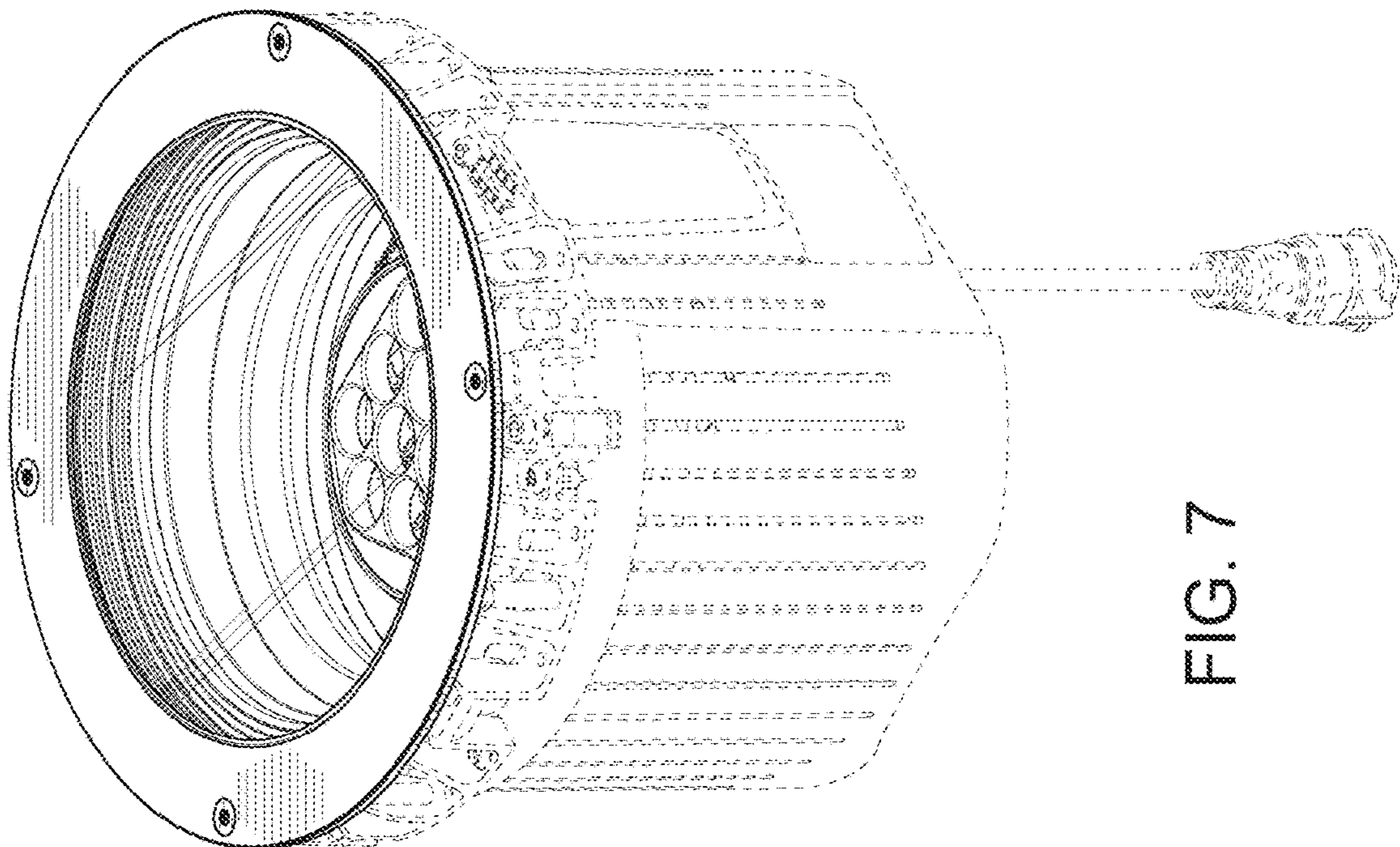


FIG. 7



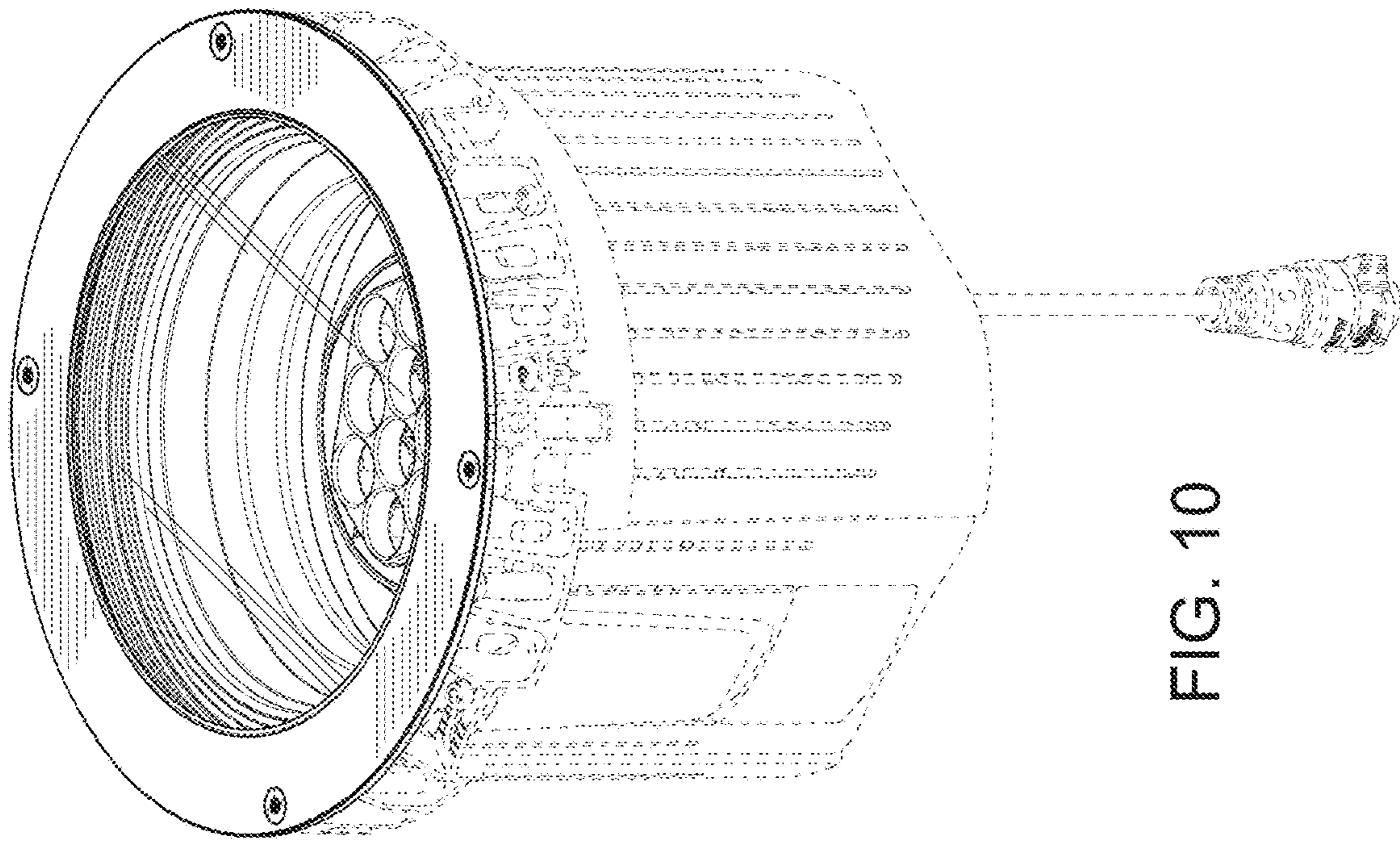


FIG. 10

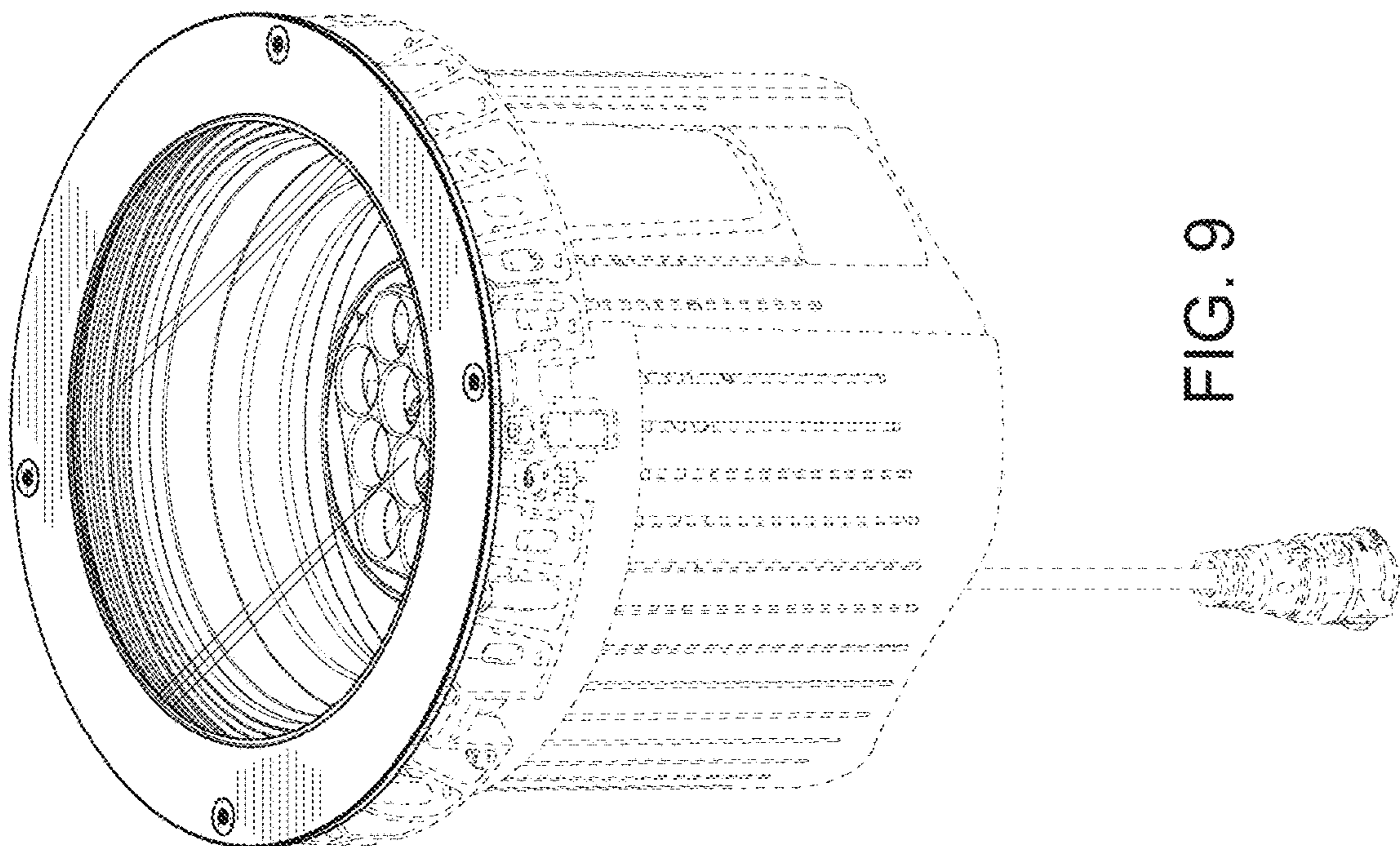


FIG. 9

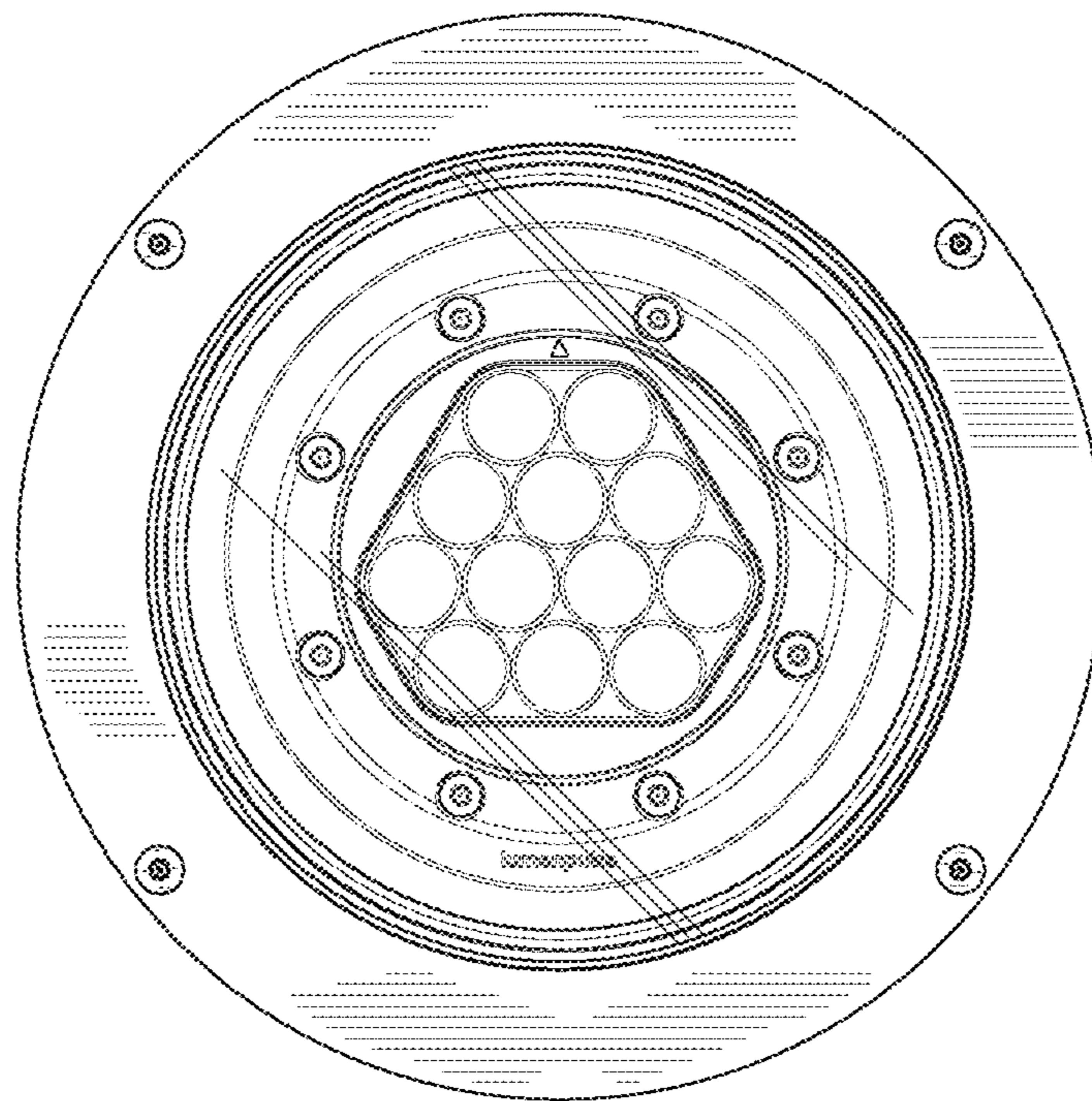


FIG. 11

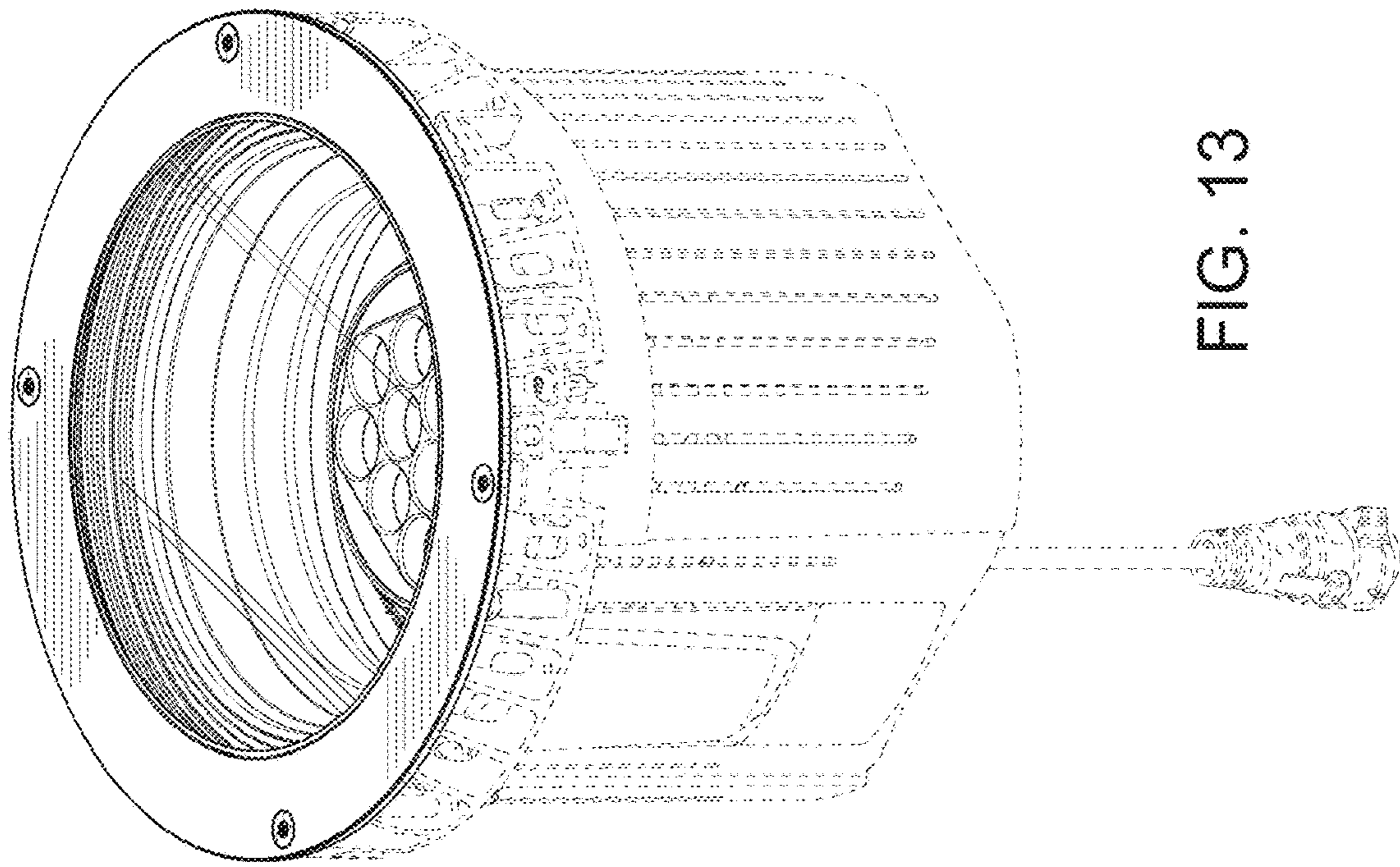


FIG. 13

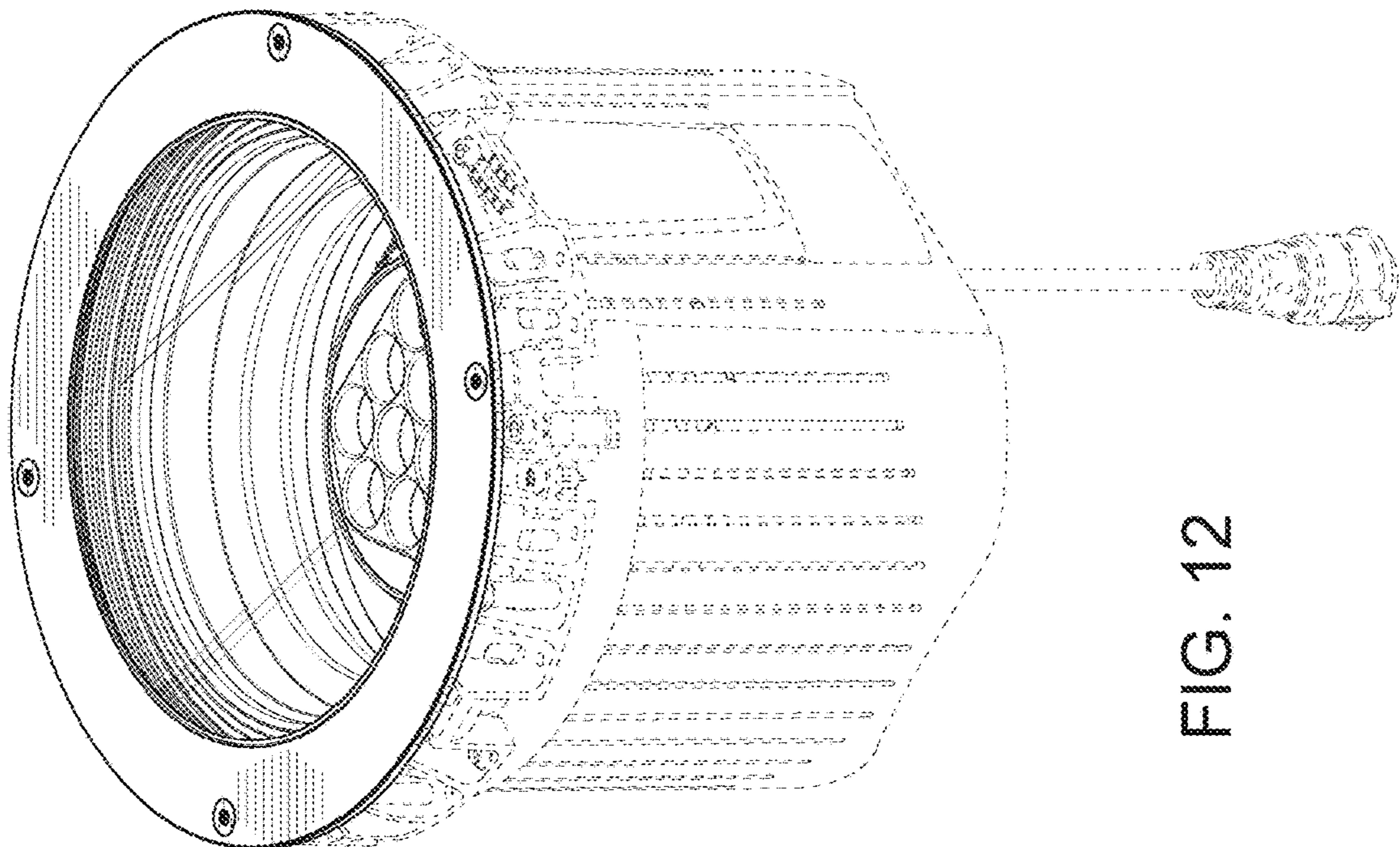


FIG. 12

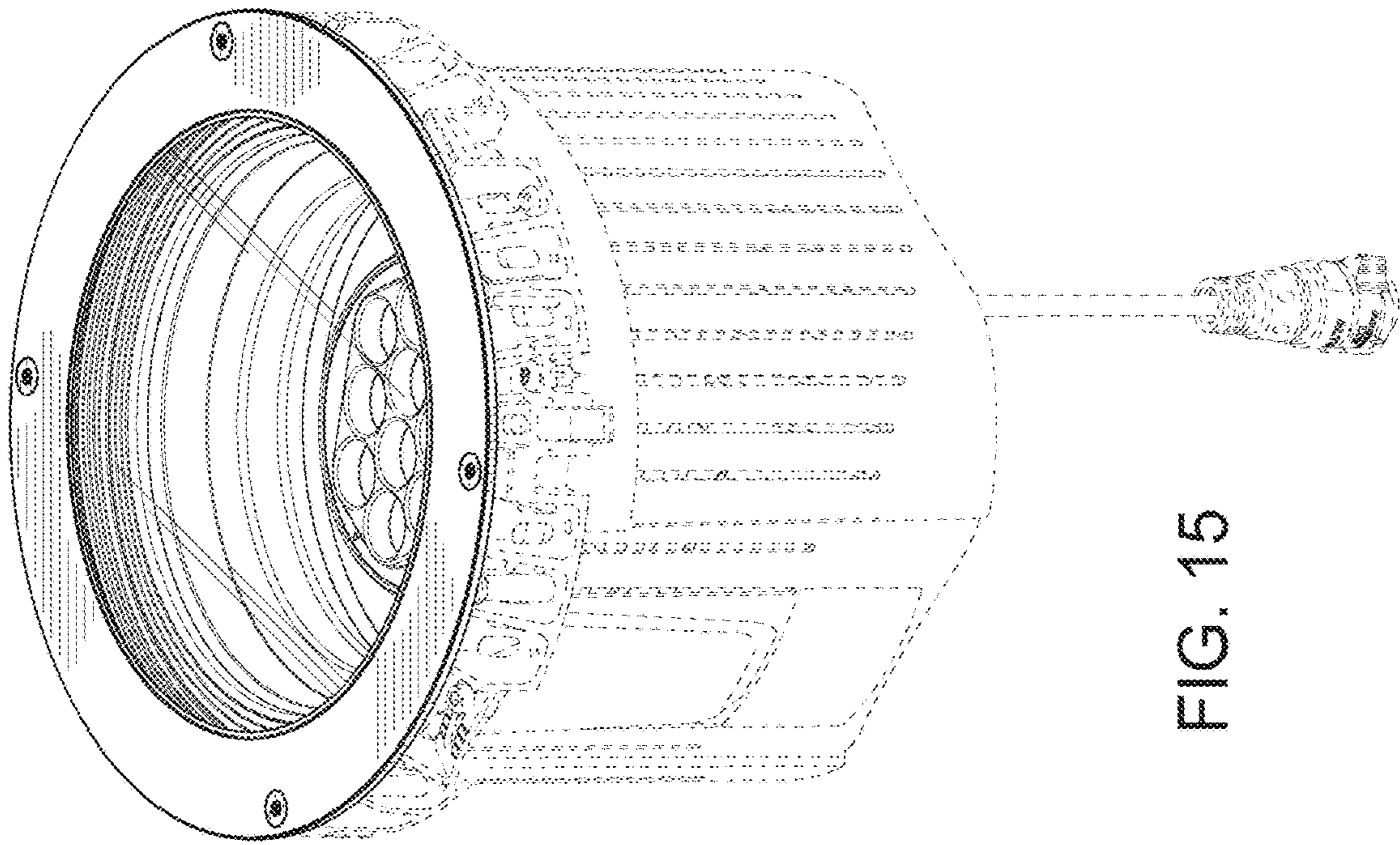


FIG. 15

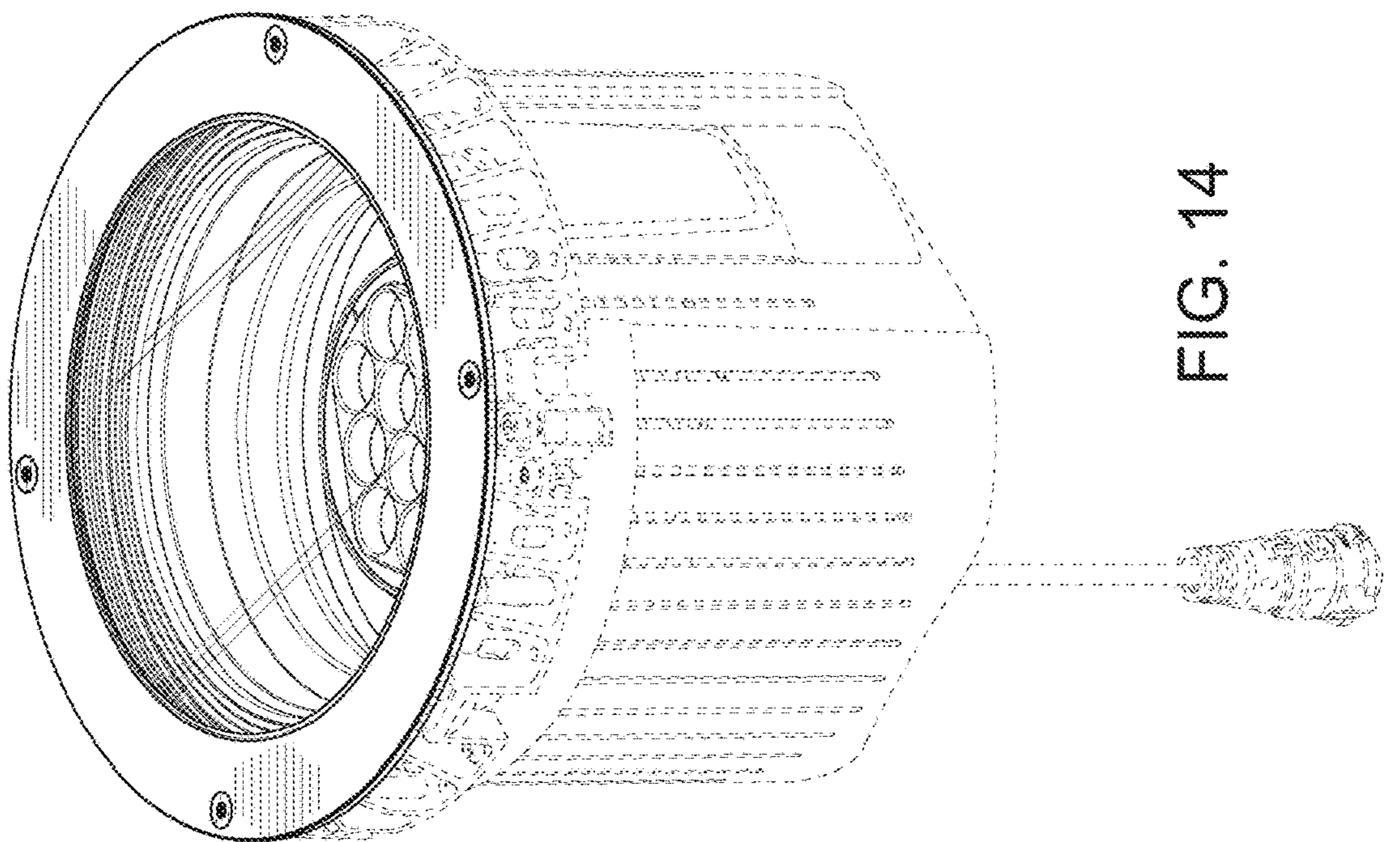


FIG. 14

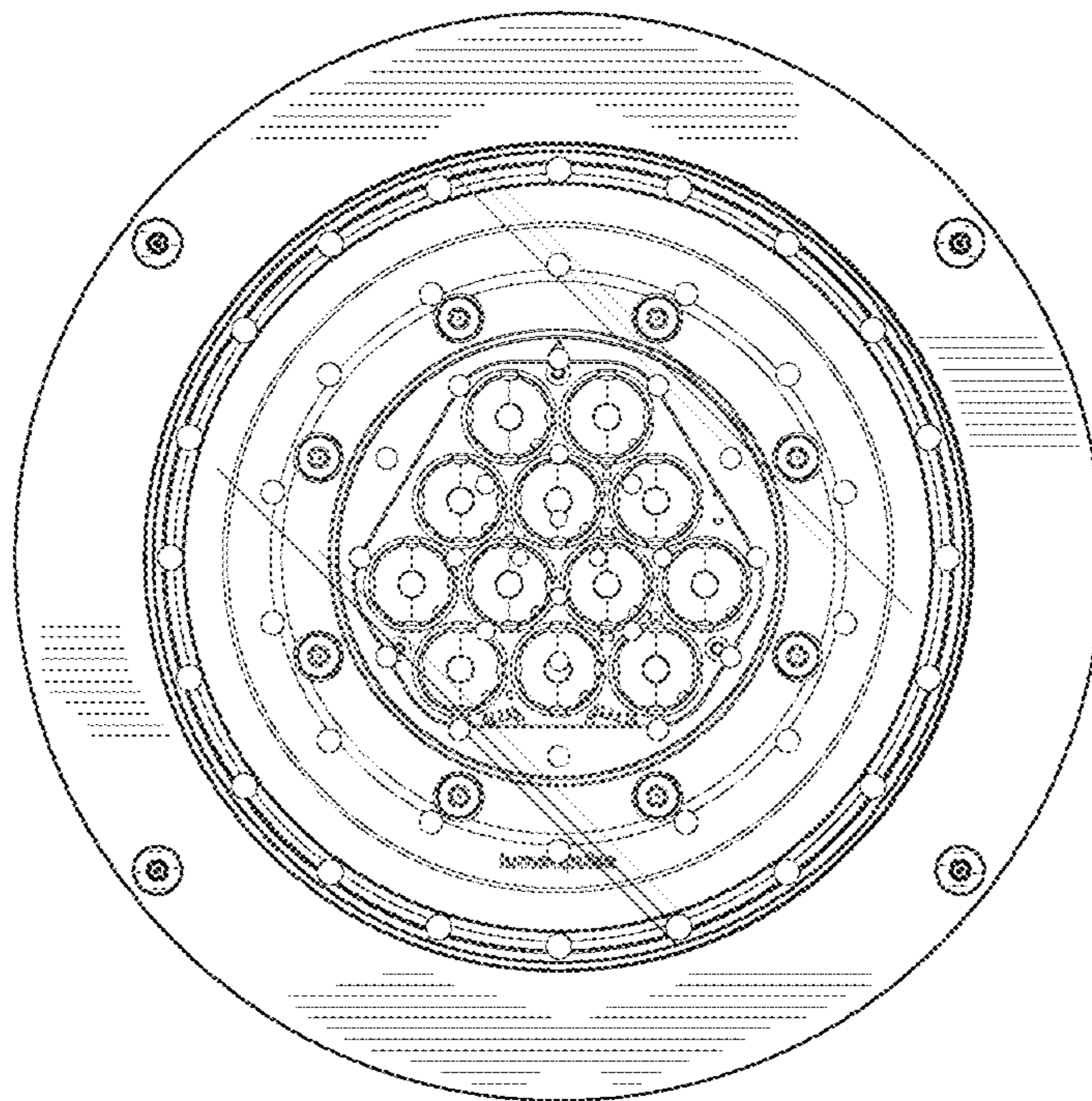


FIG. 16

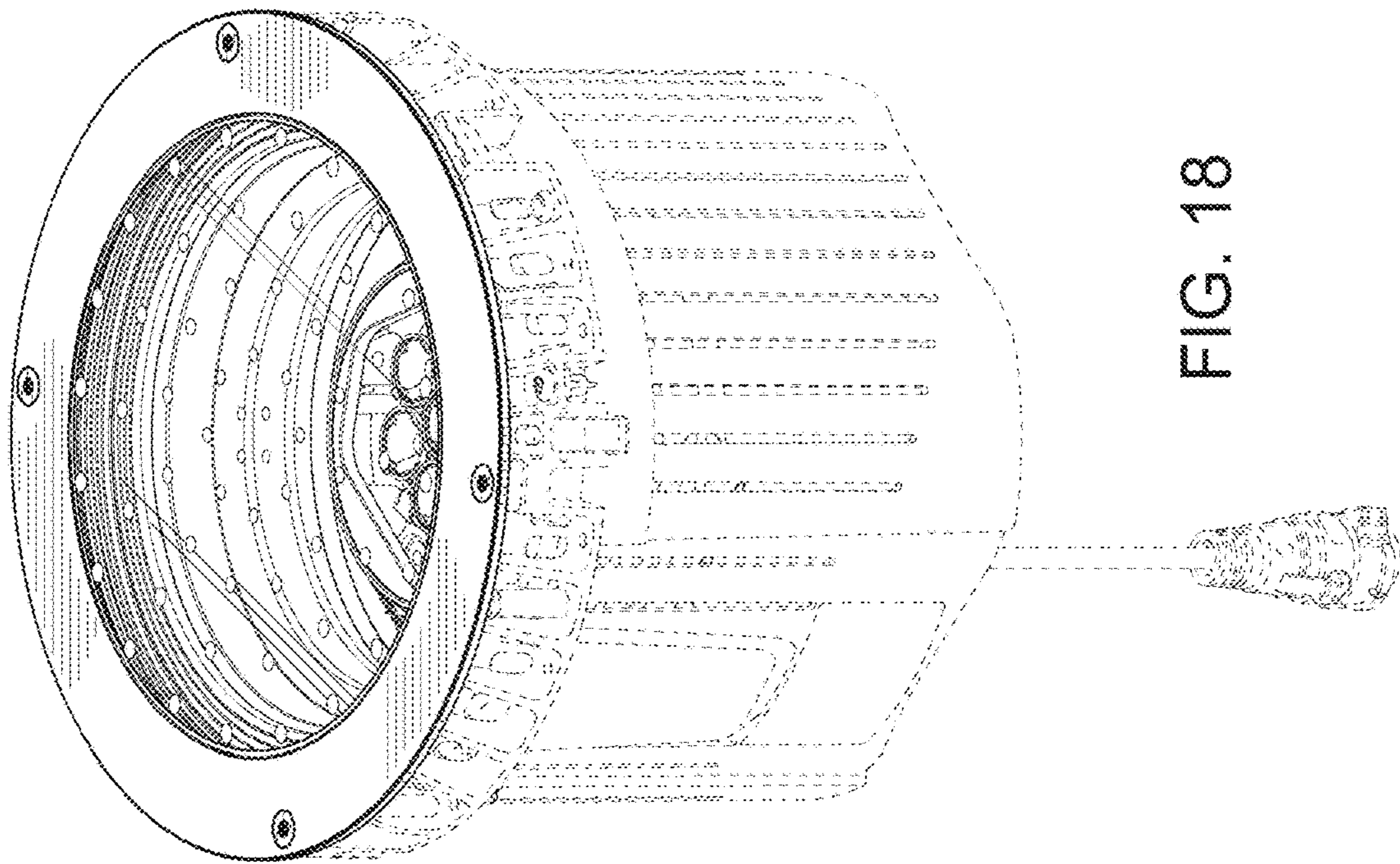


FIG. 18

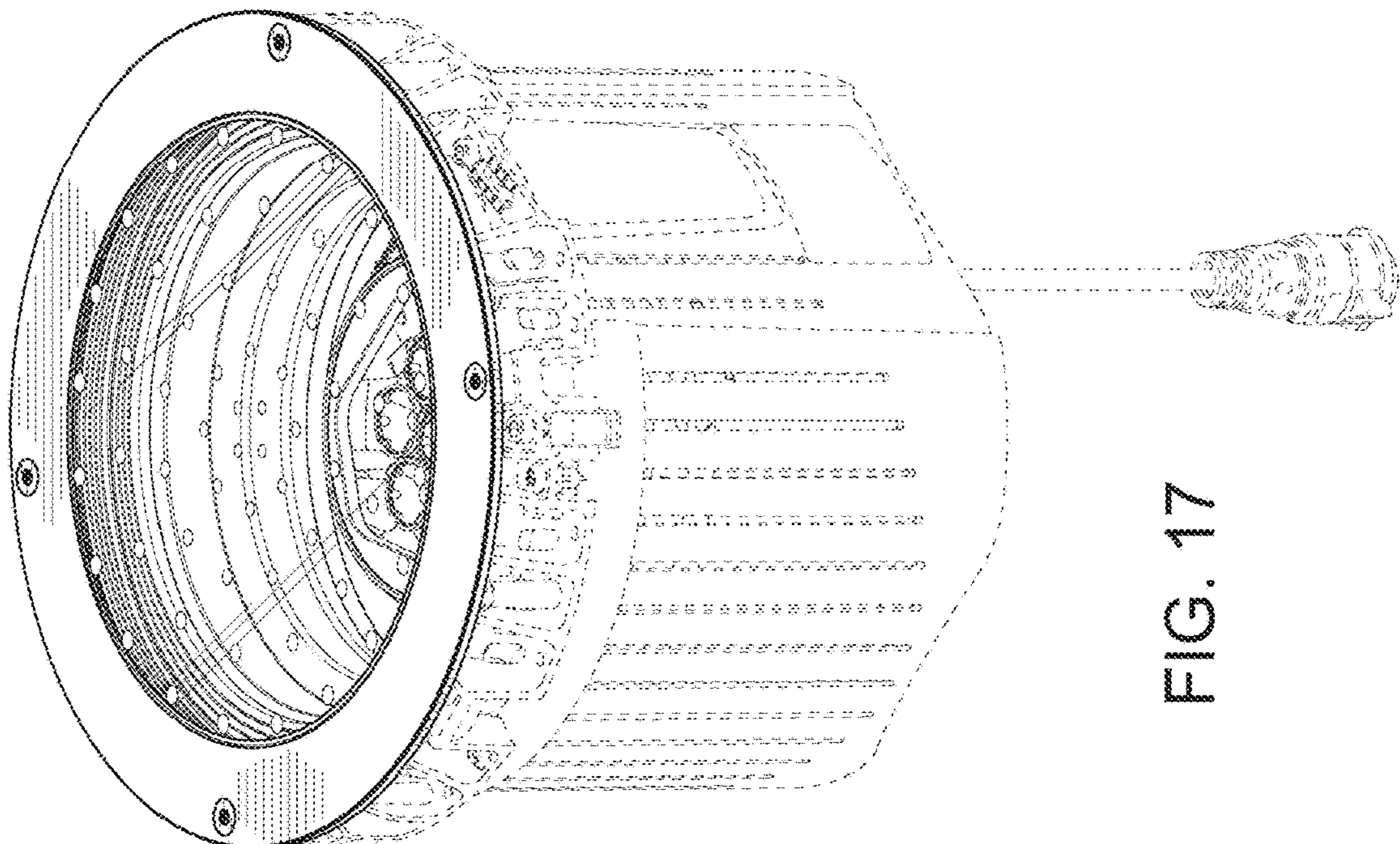


FIG. 17

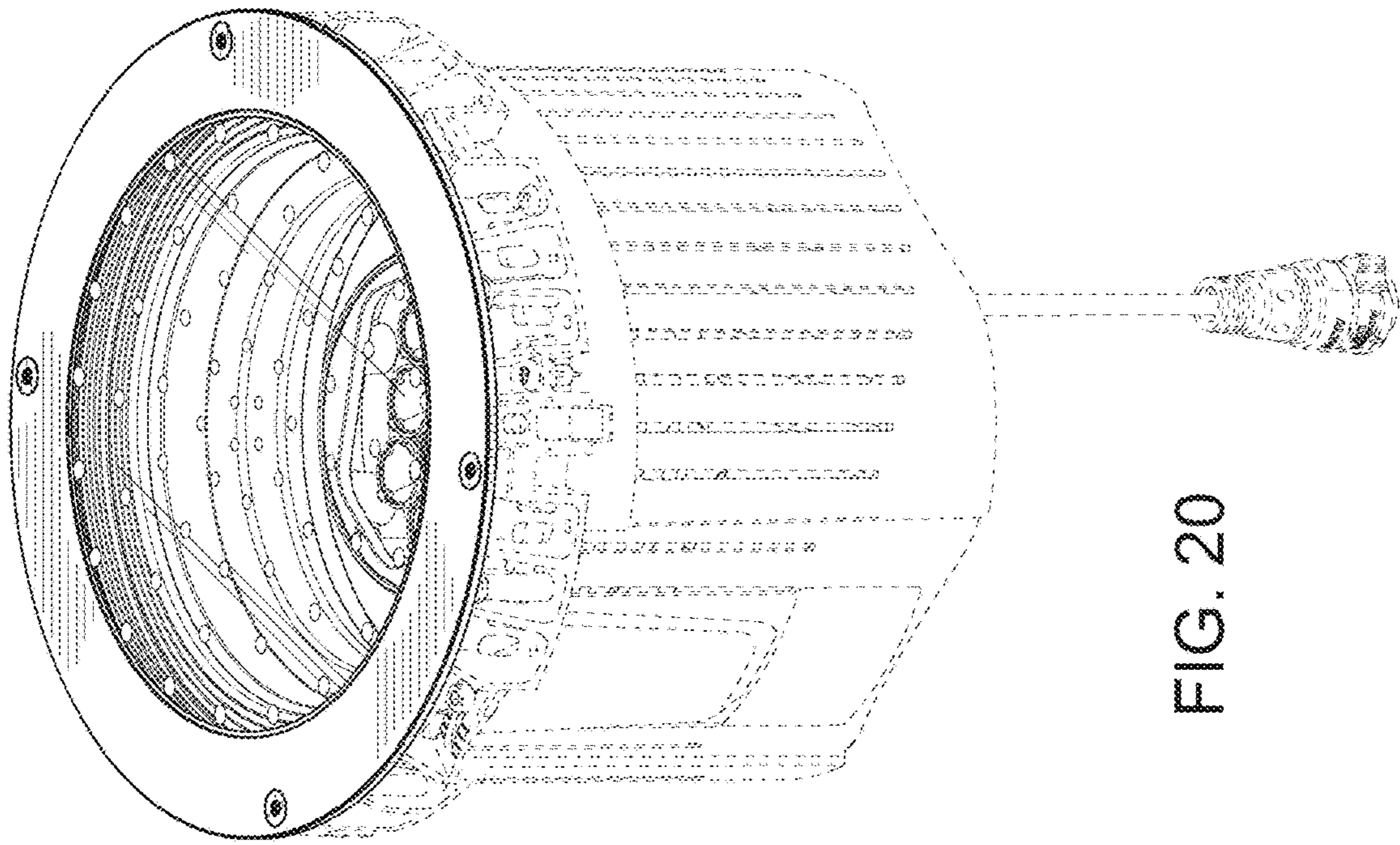


FIG. 20

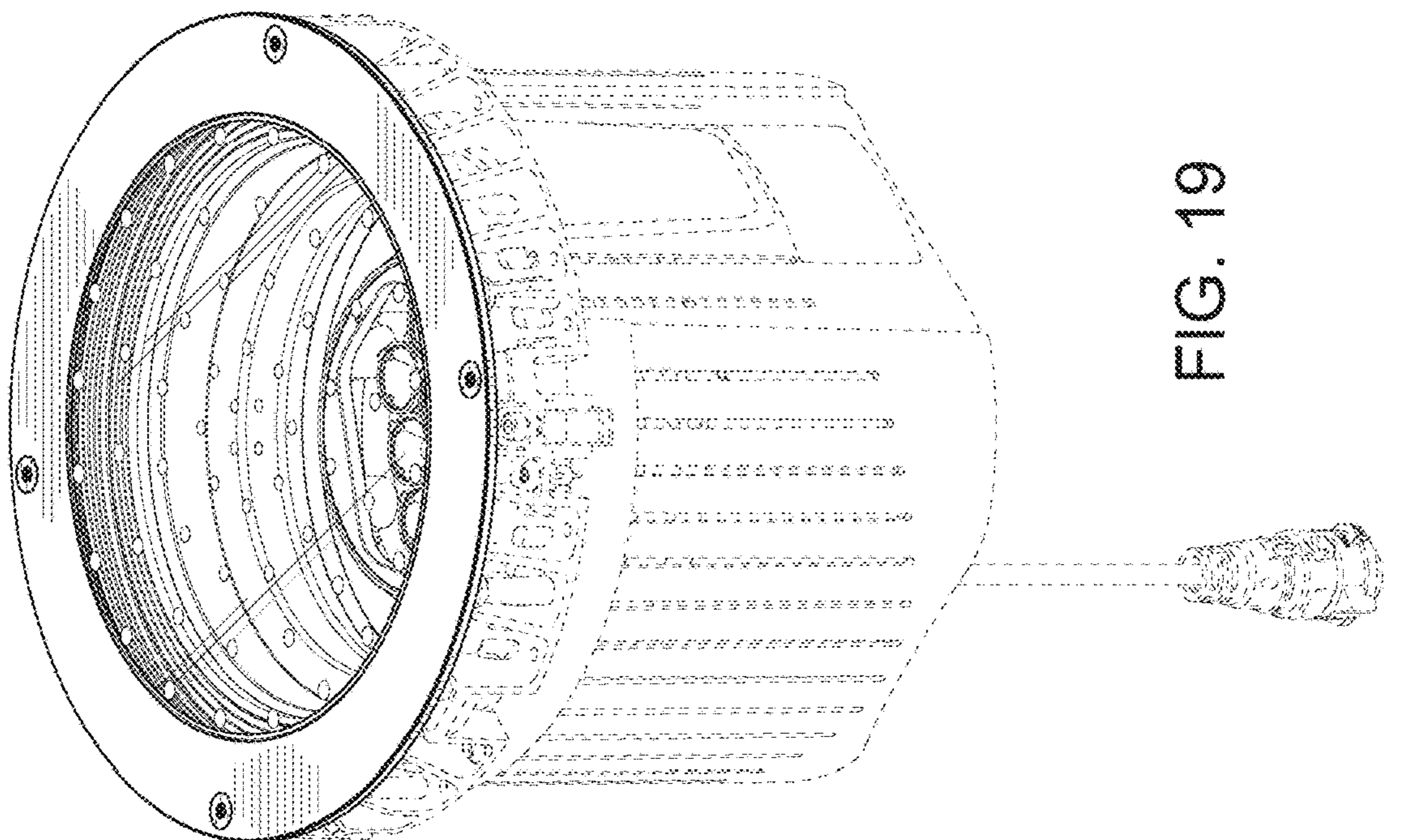


FIG. 19

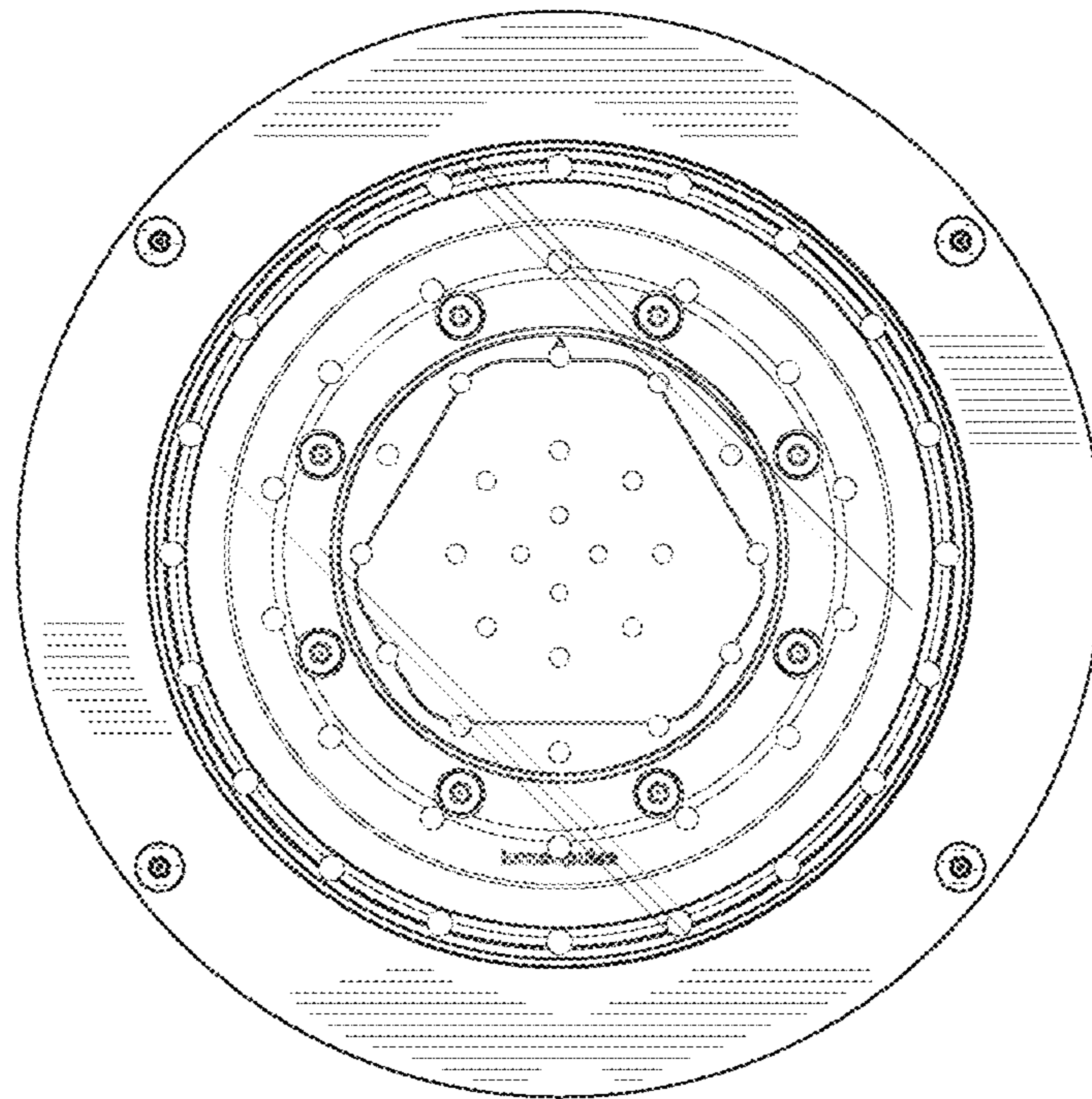


FIG. 21



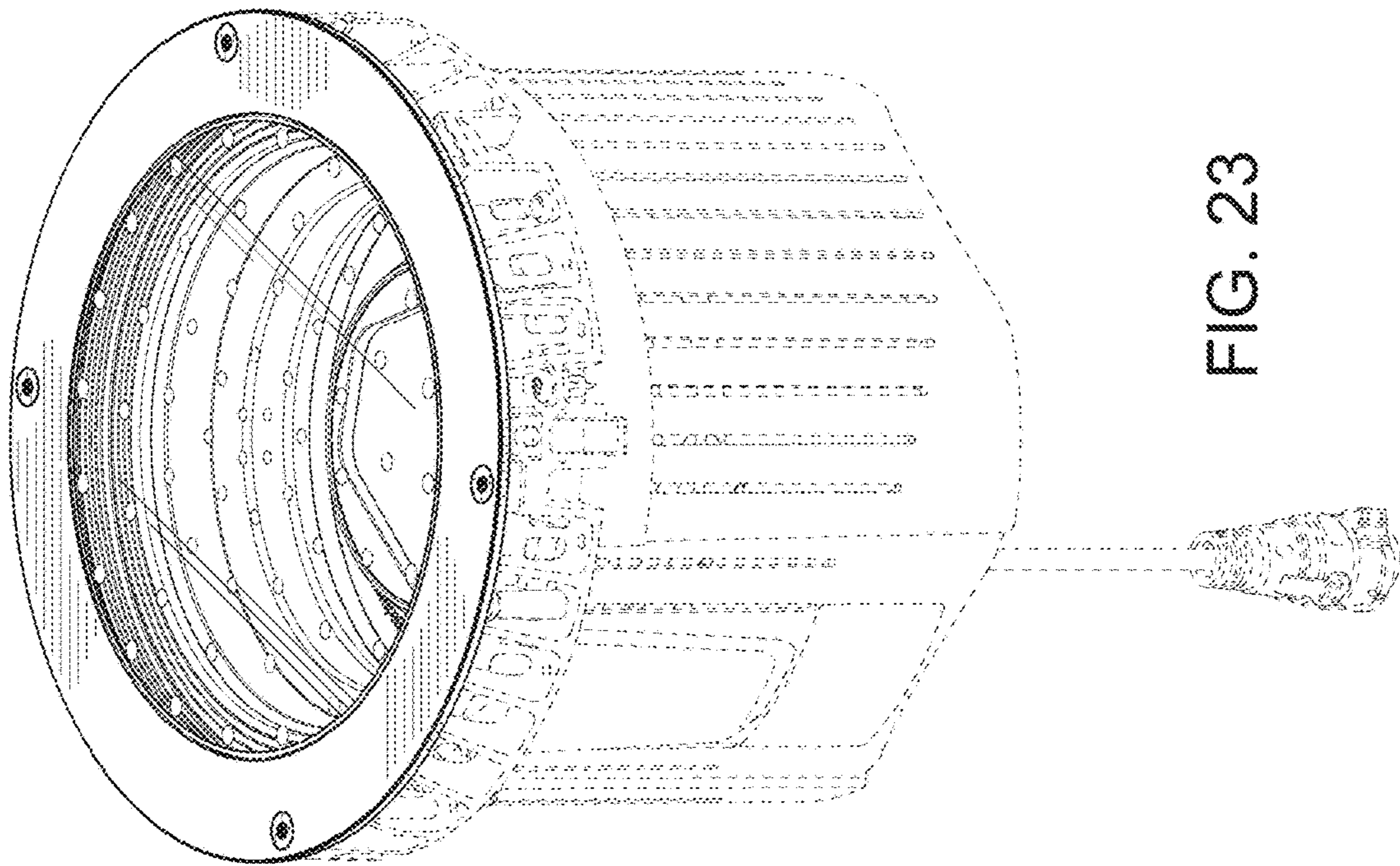


FIG. 23

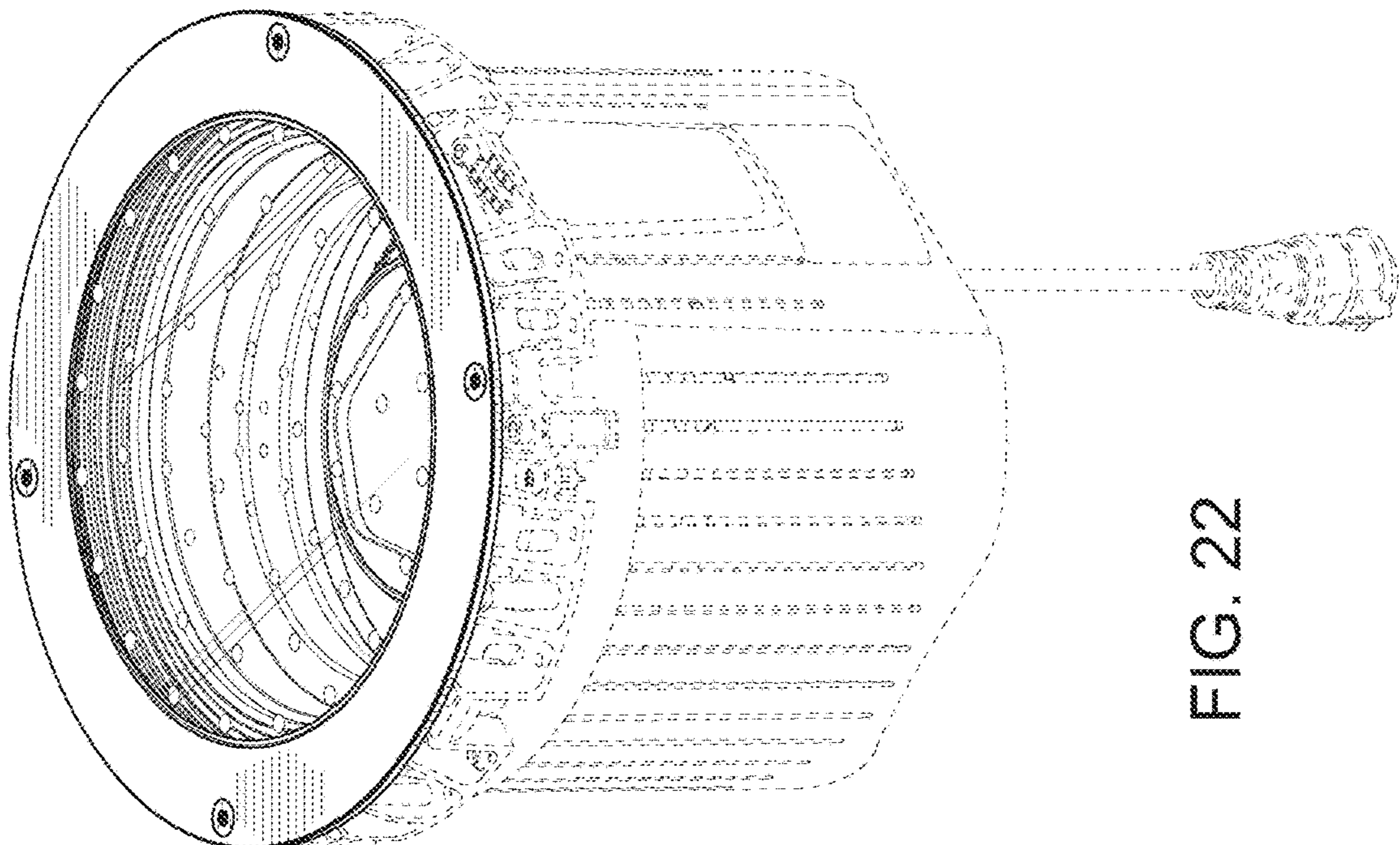


FIG. 22

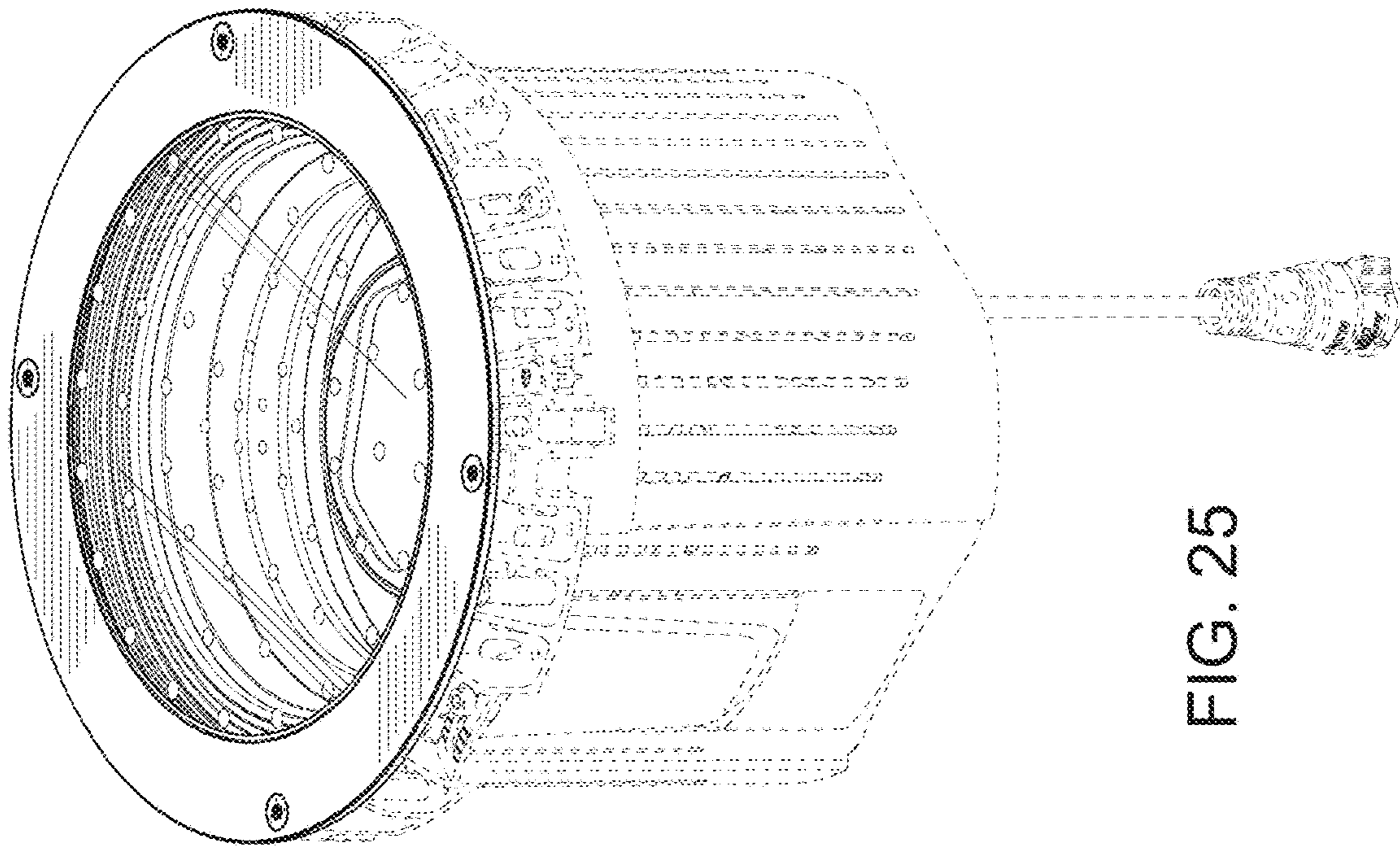


FIG. 25

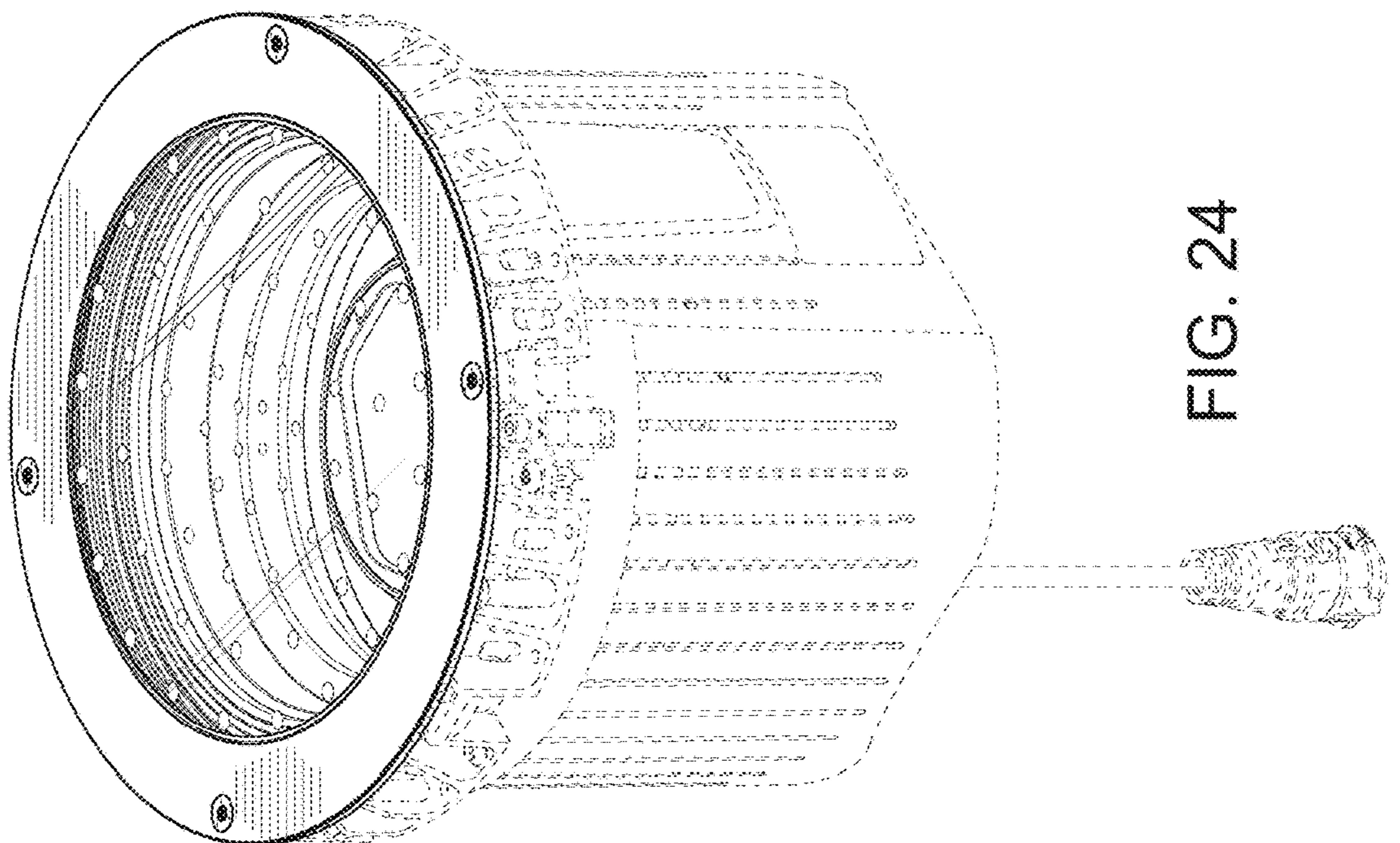


FIG. 24

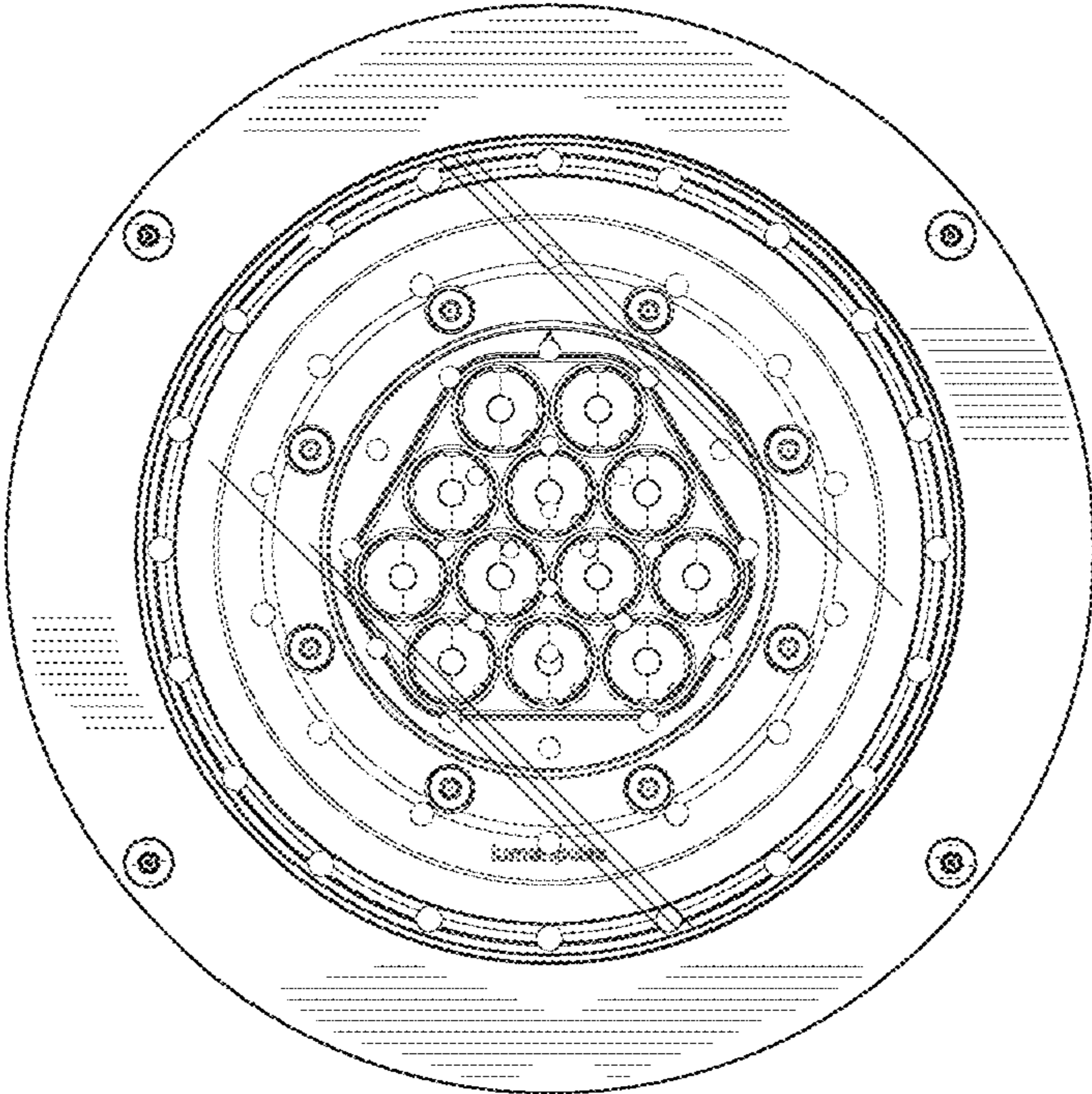


FIG. 26

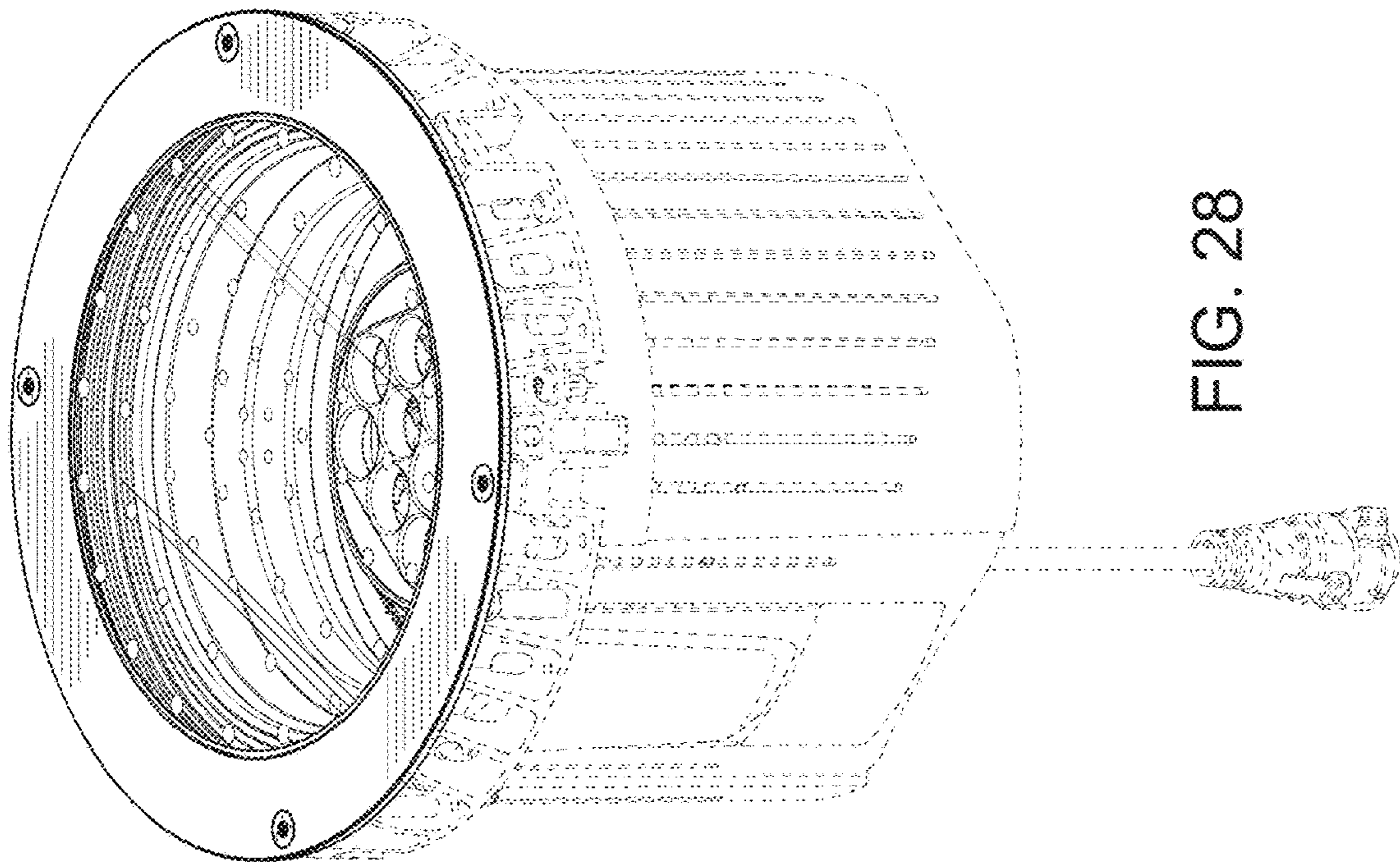


FIG. 28

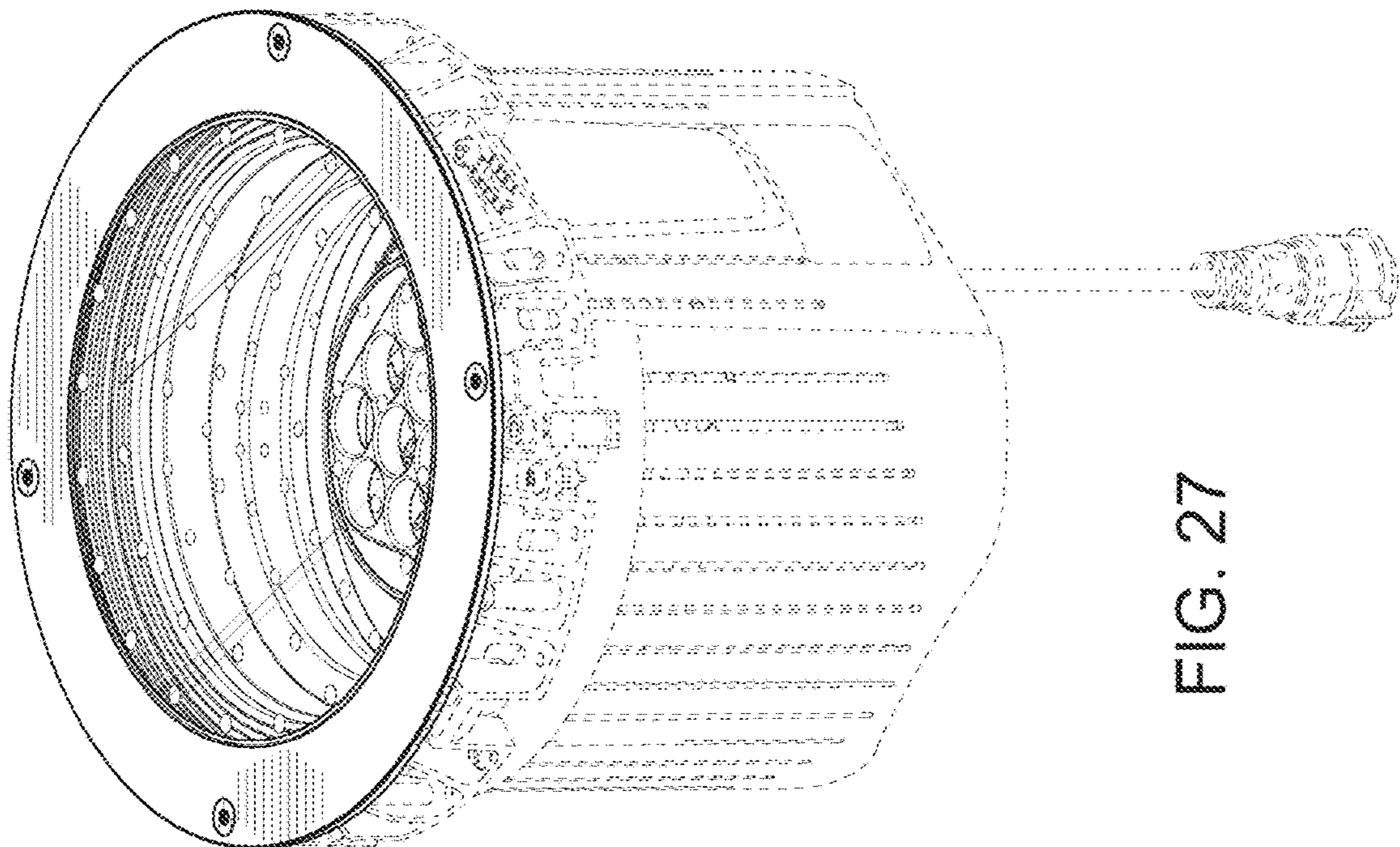


FIG. 27

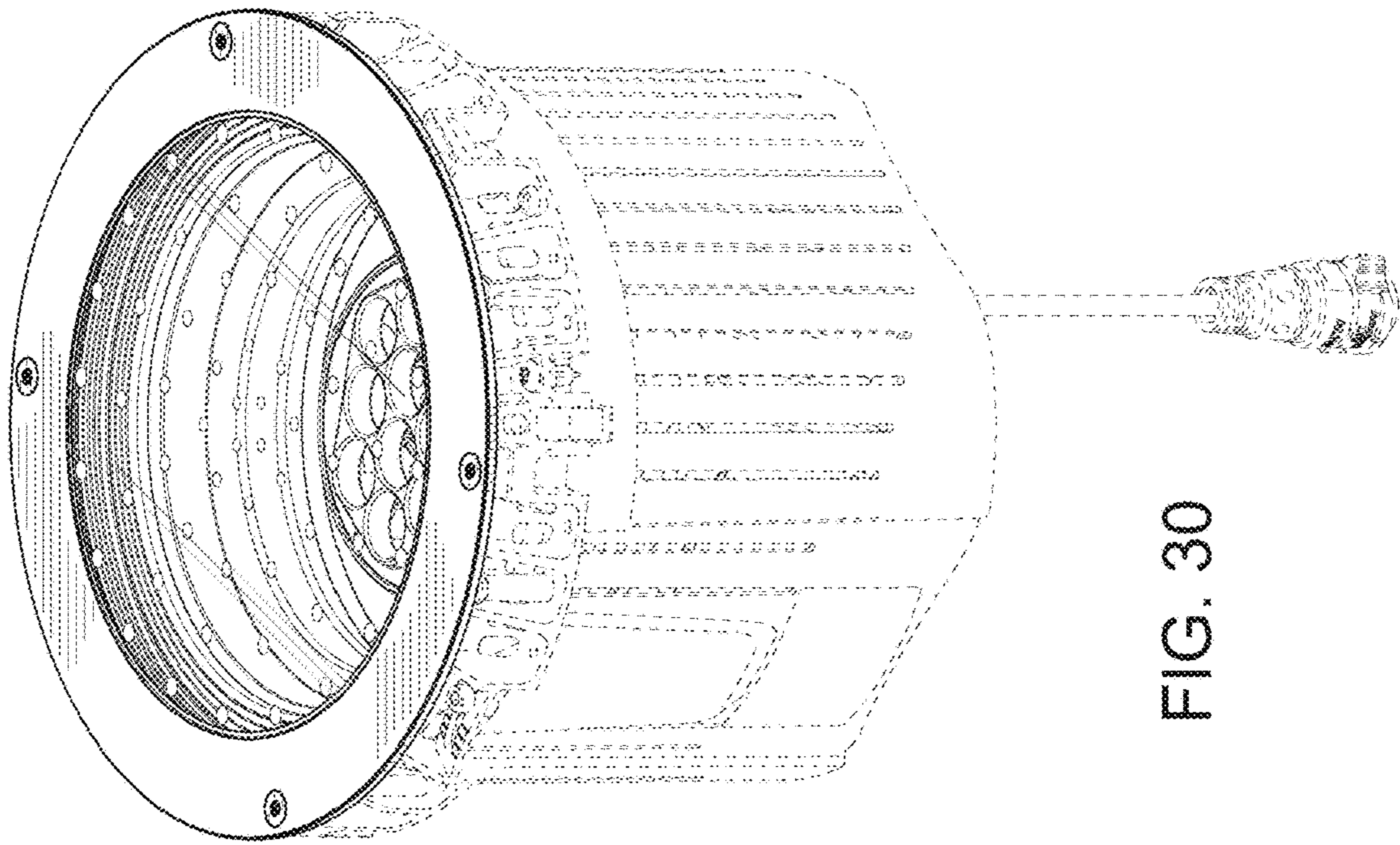


FIG. 29

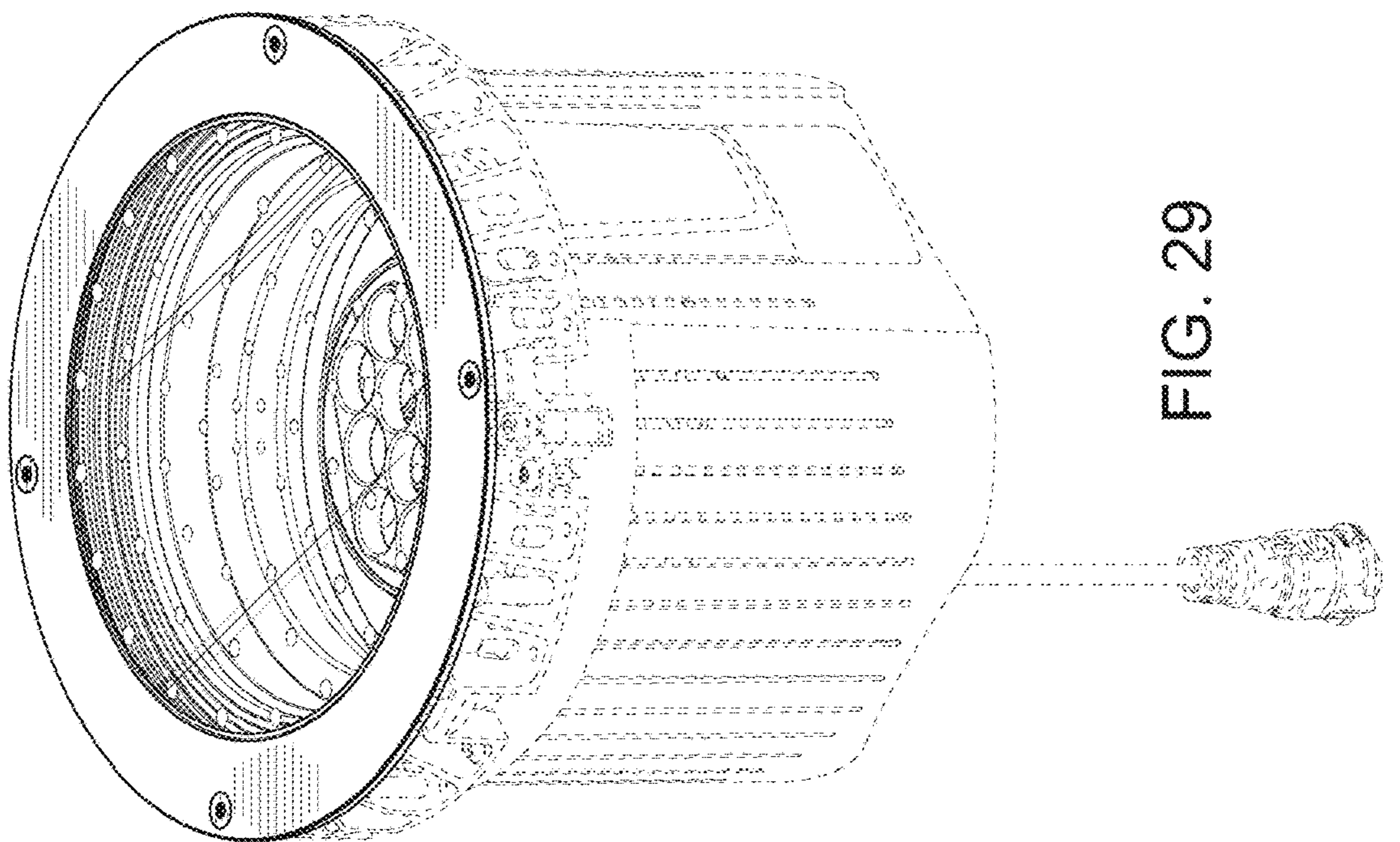


FIG. 30

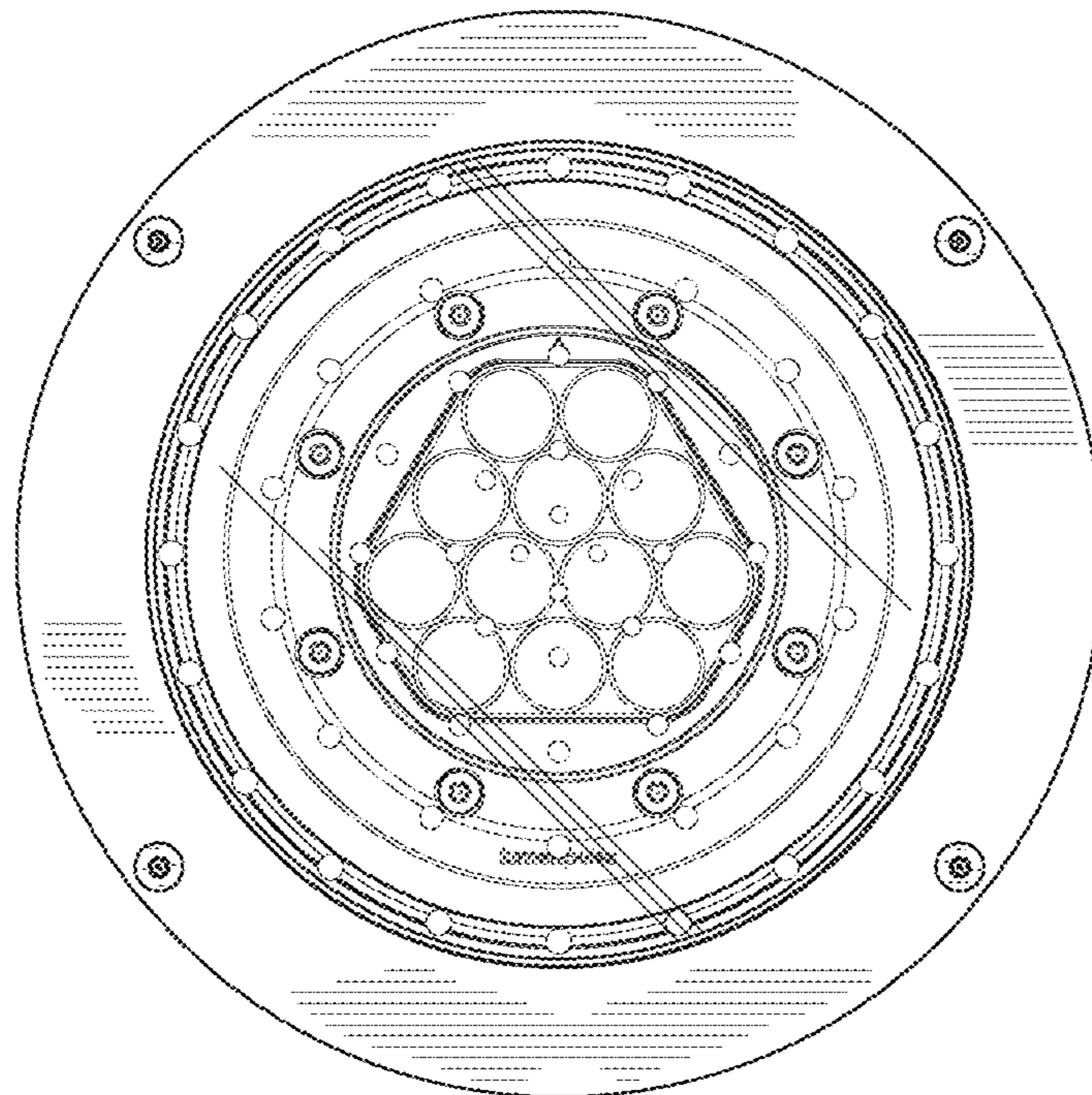


FIG. 31

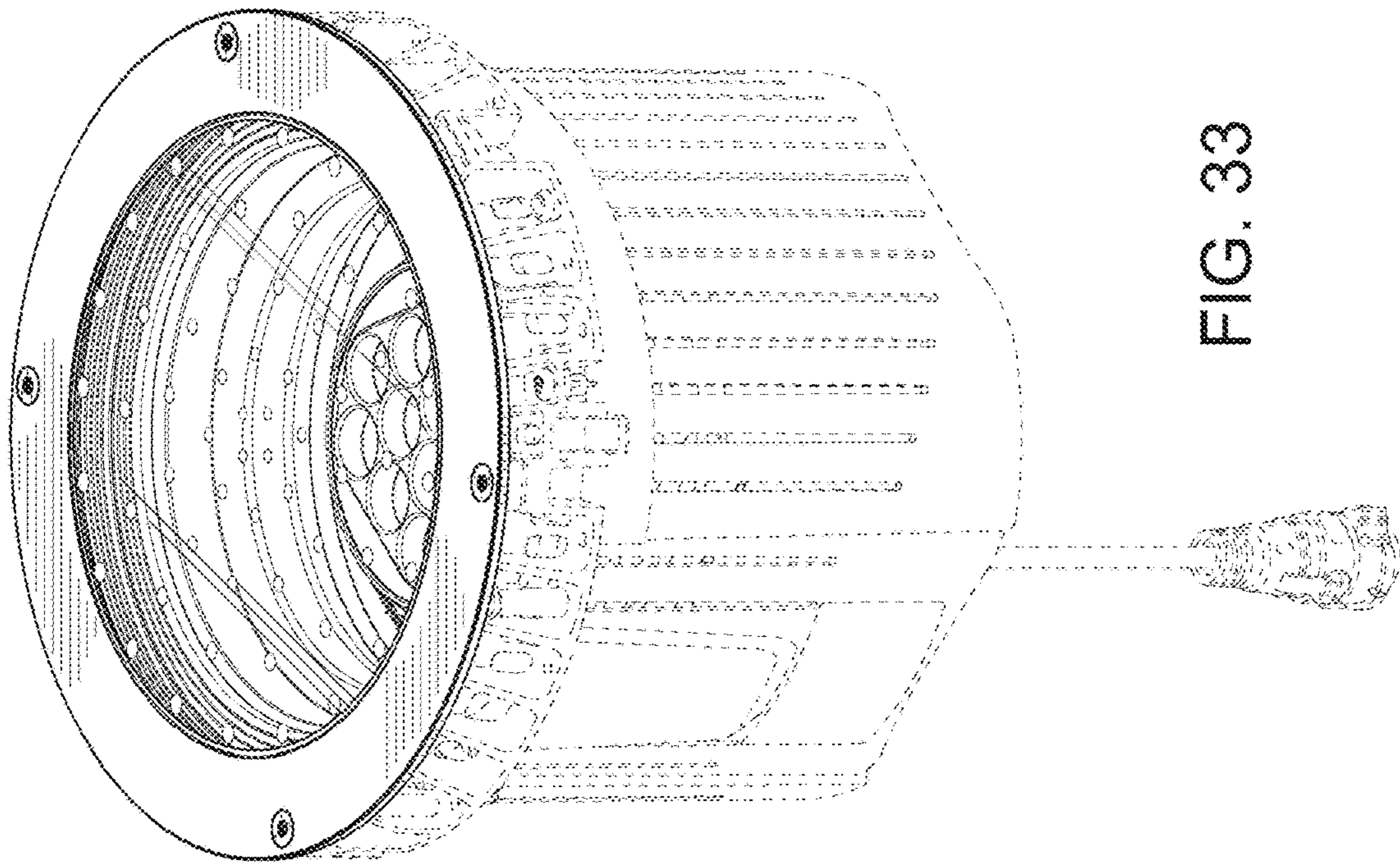


FIG. 33

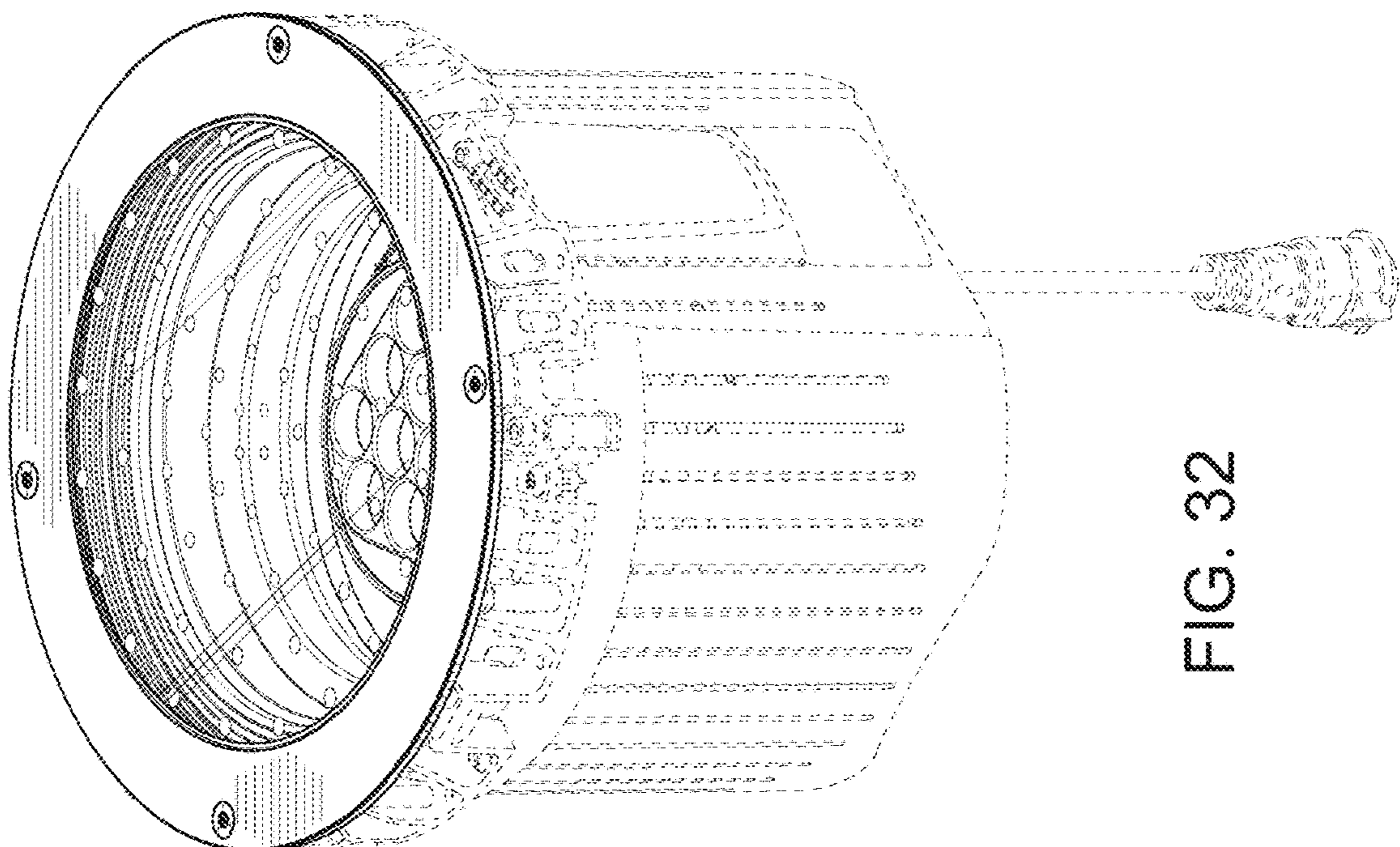


FIG. 32

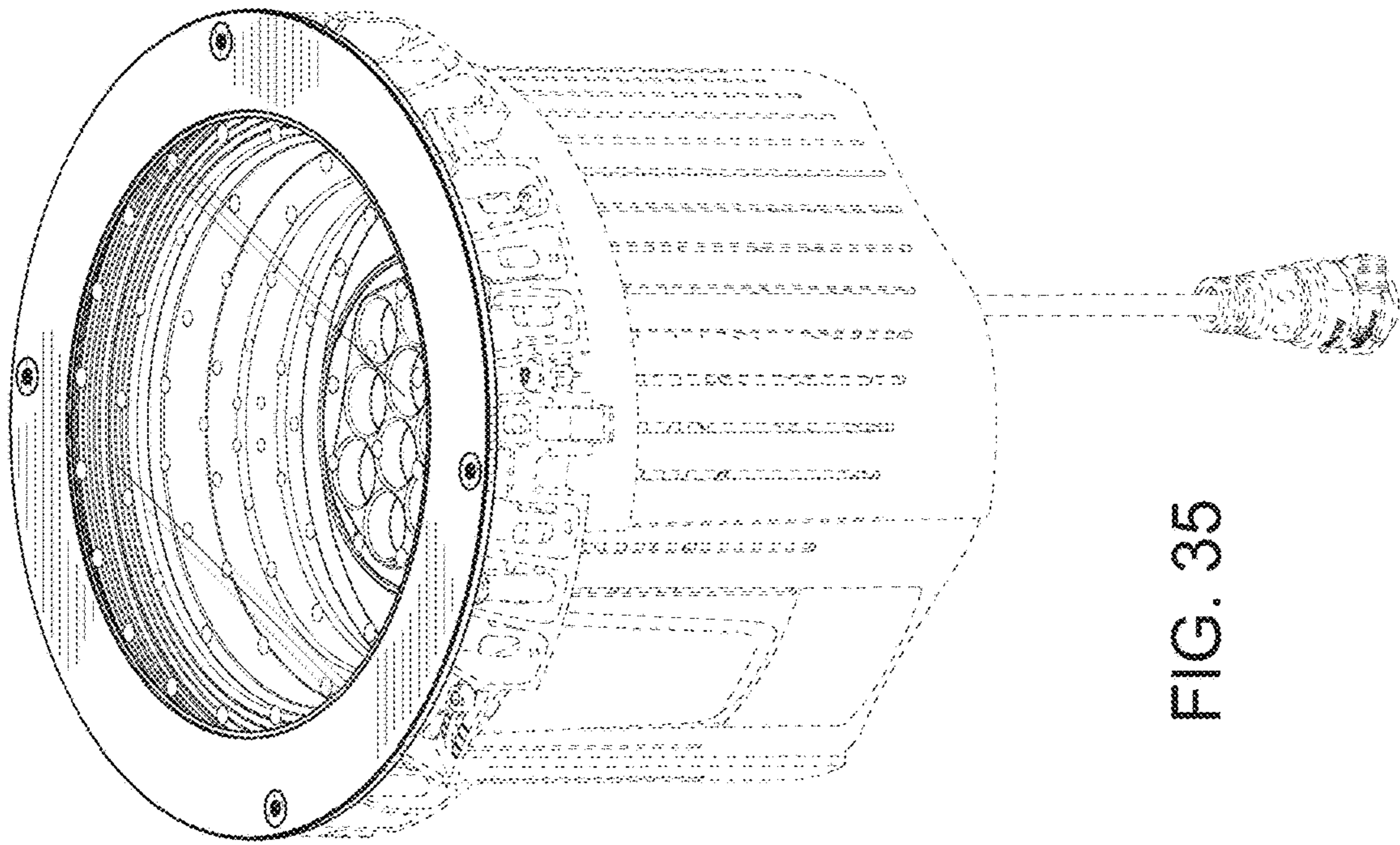


FIG. 35

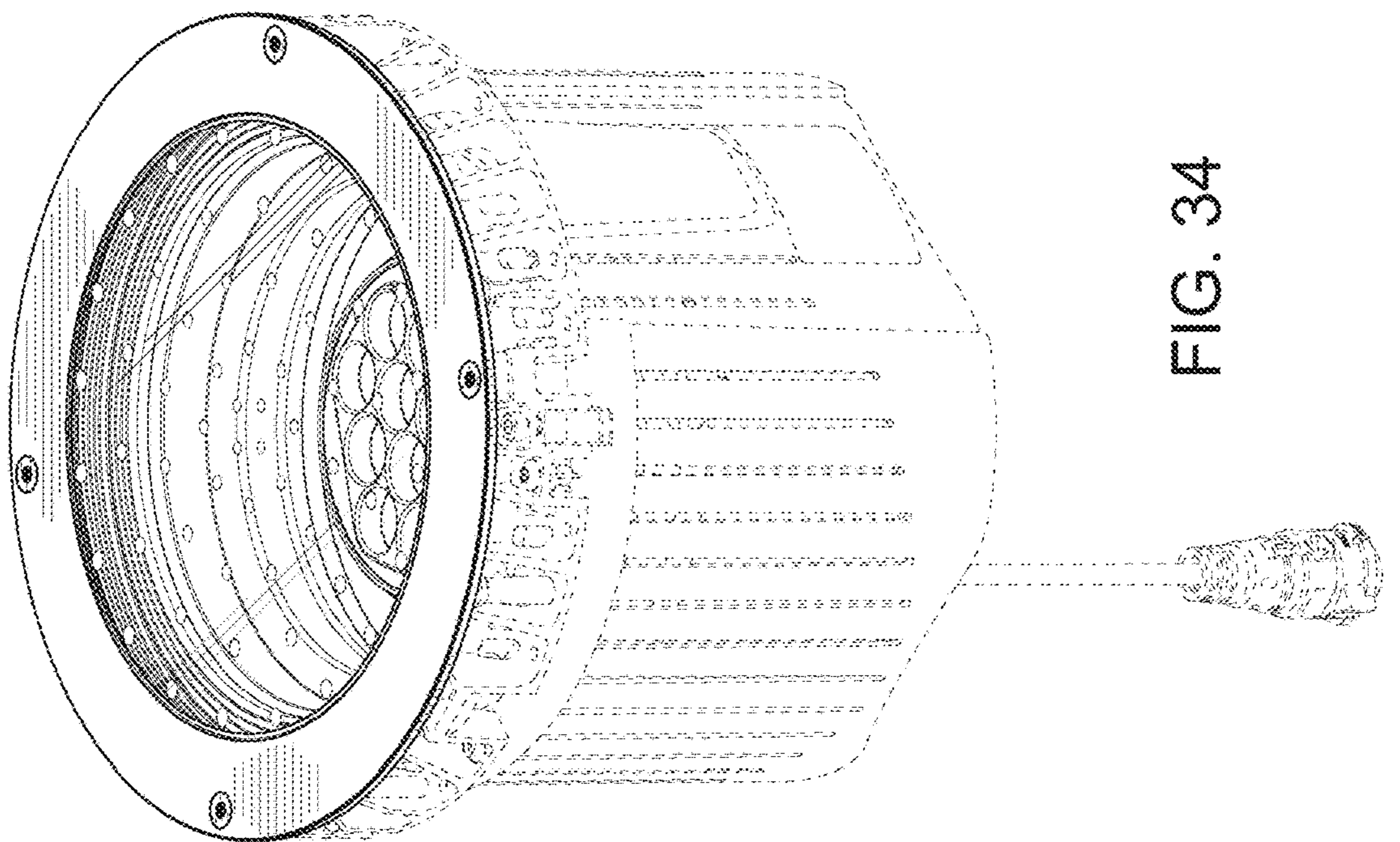


FIG. 34



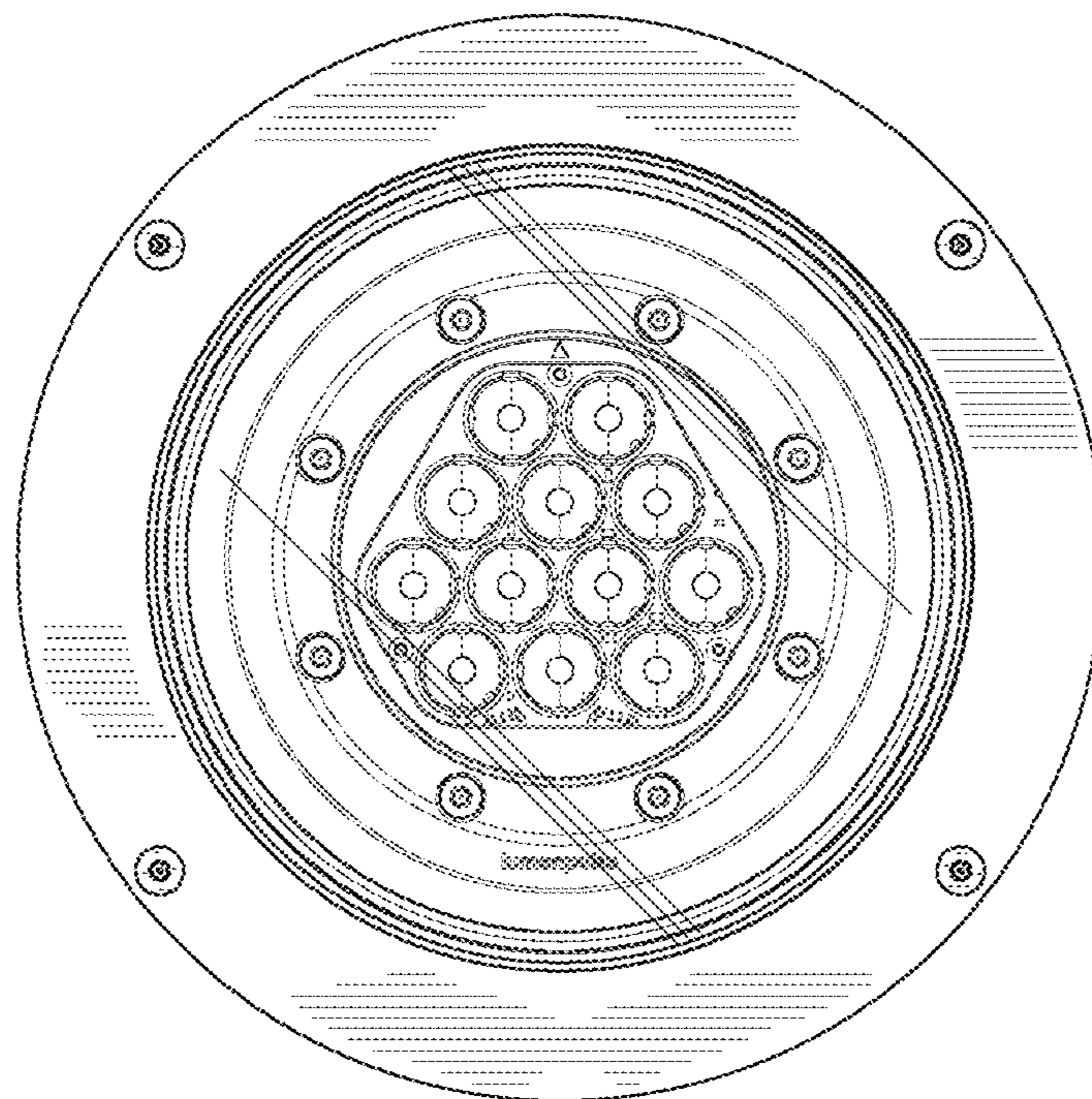


FIG. 36

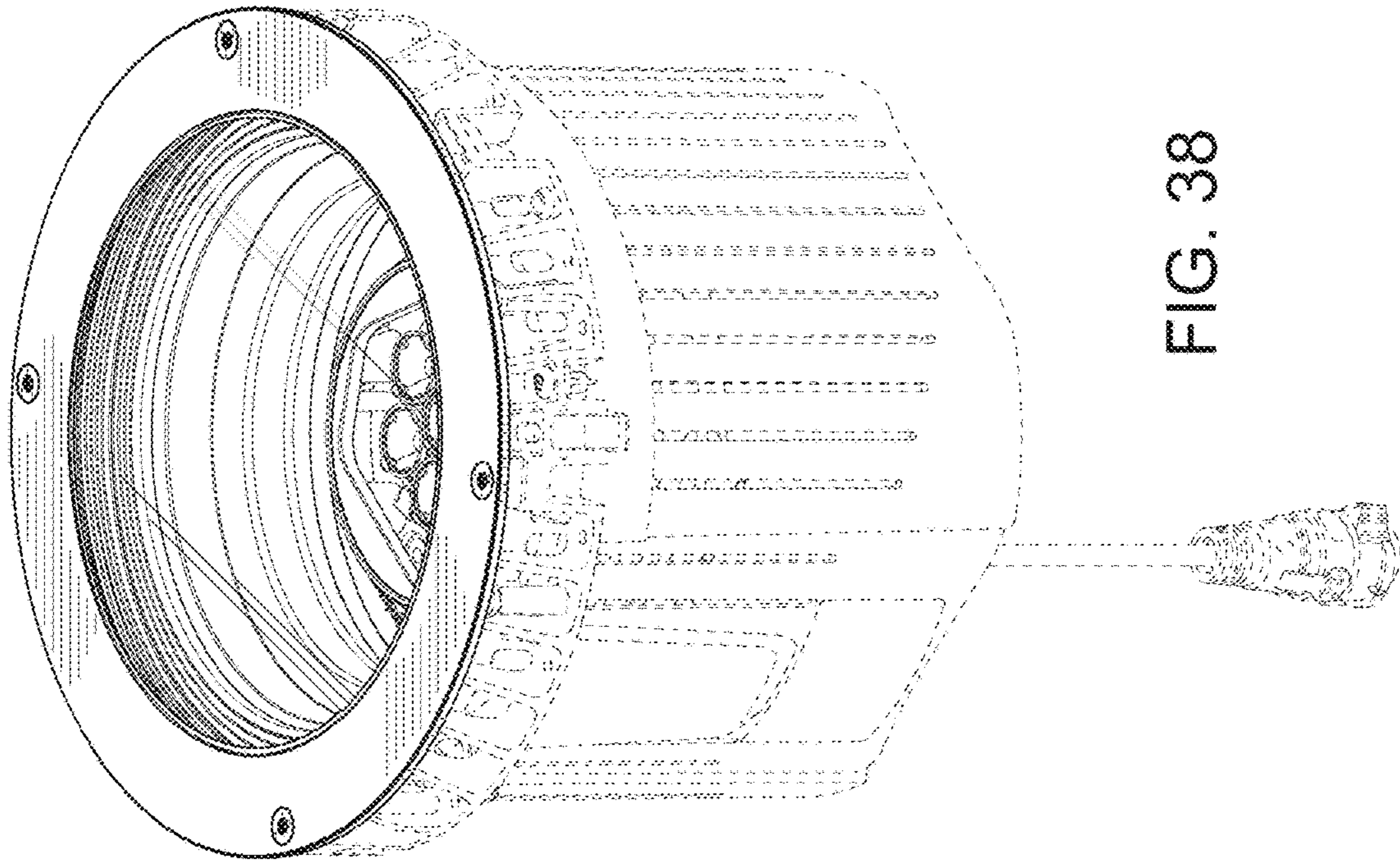


FIG. 38

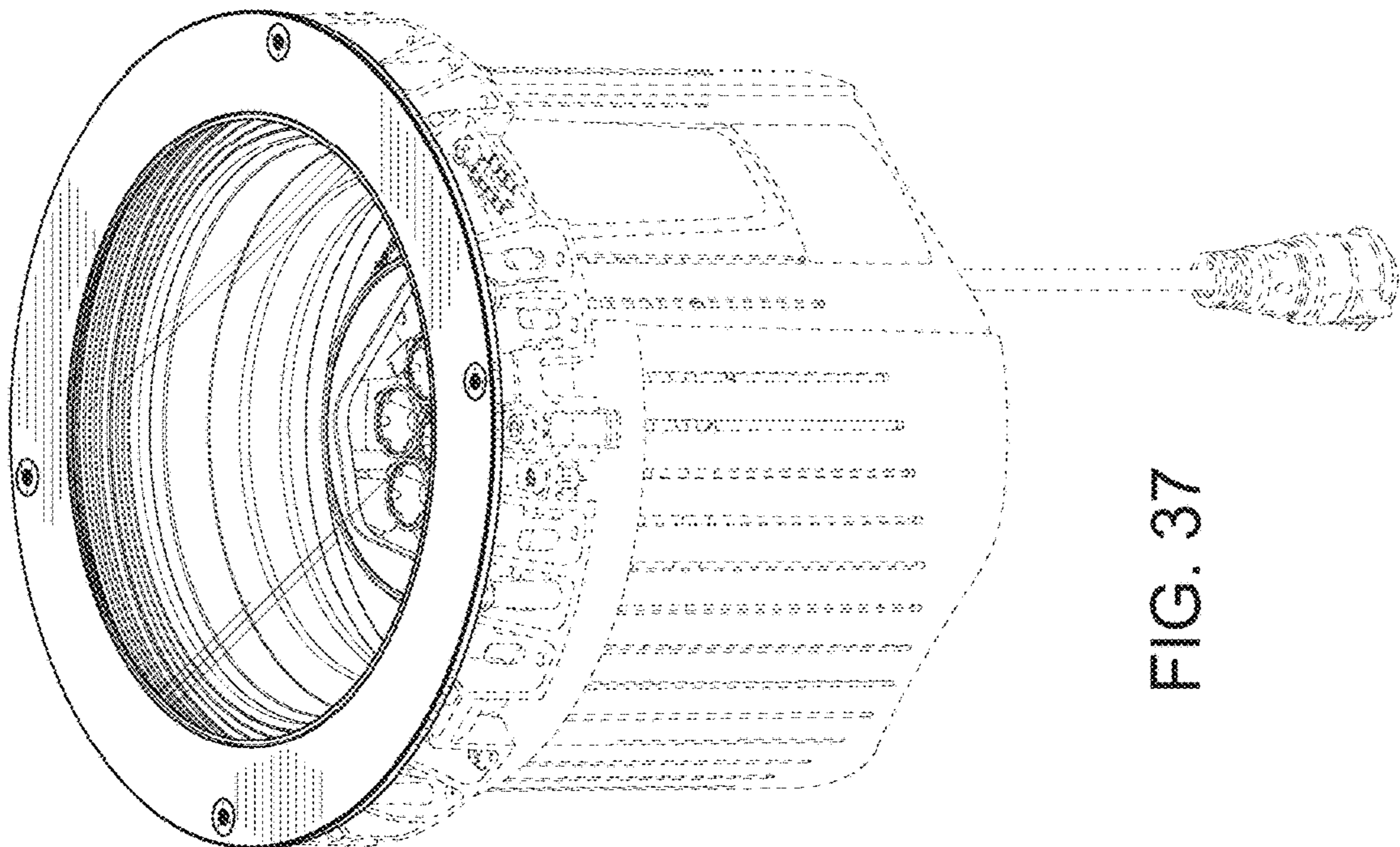


FIG. 37

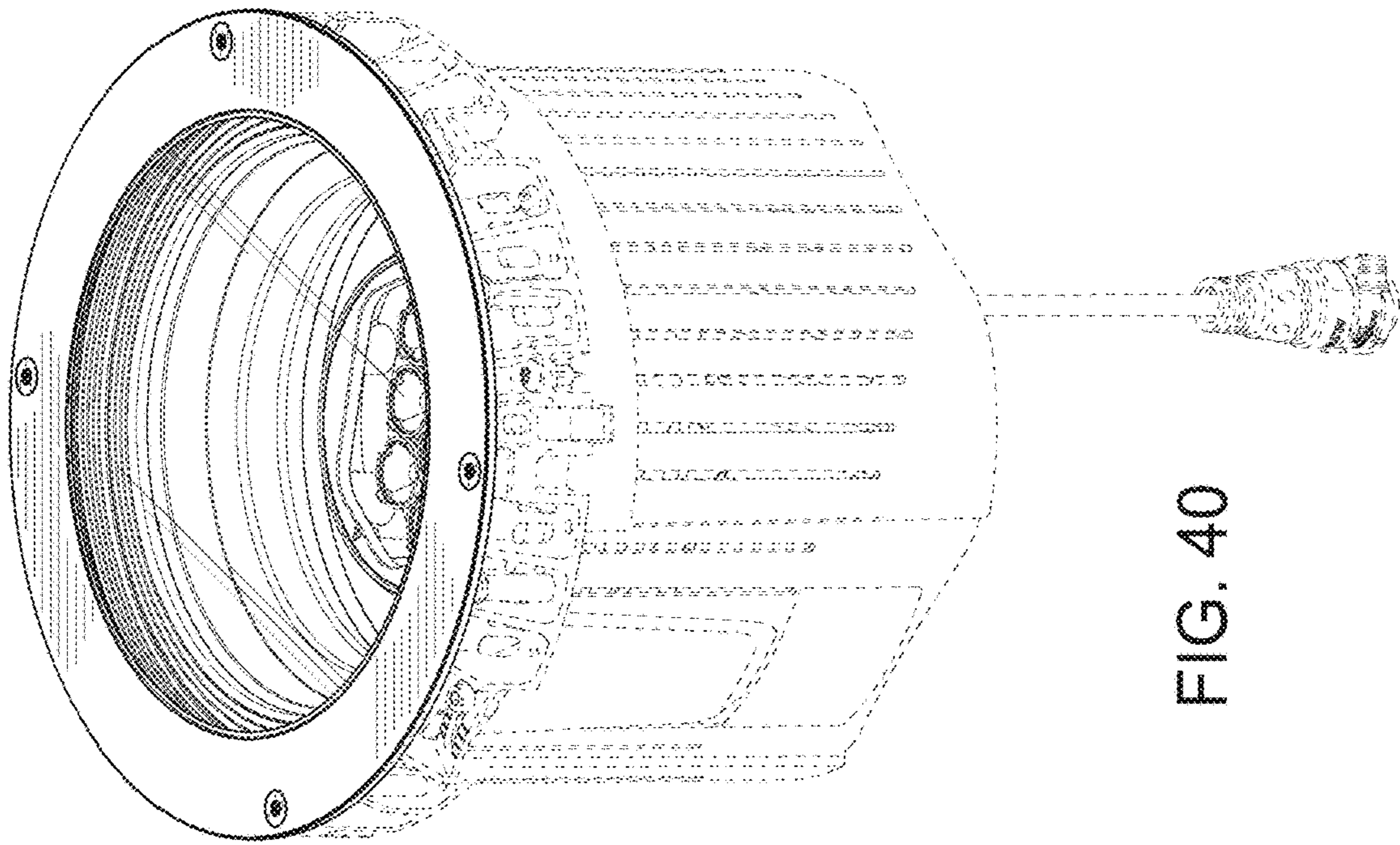


FIG. 40

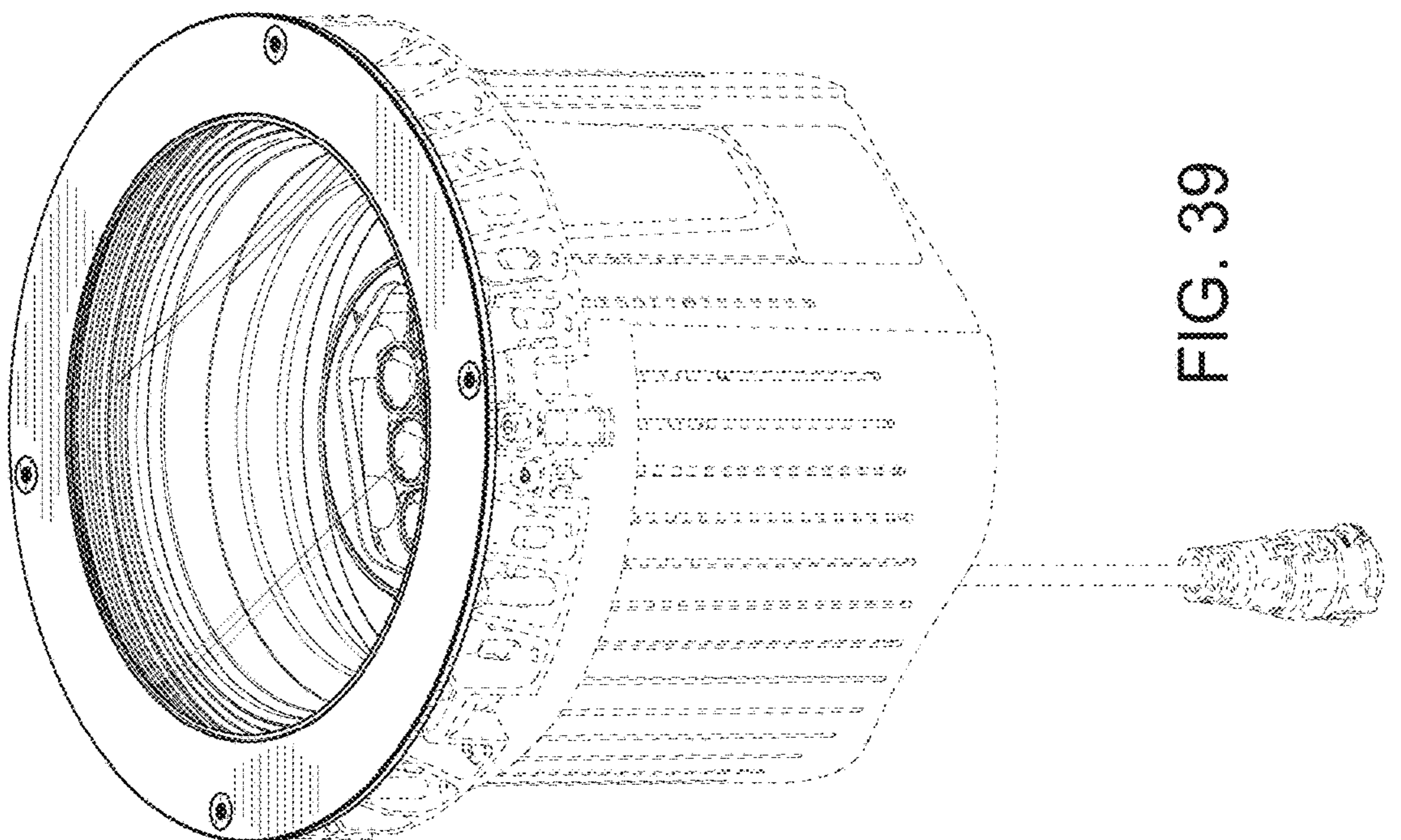


FIG. 39

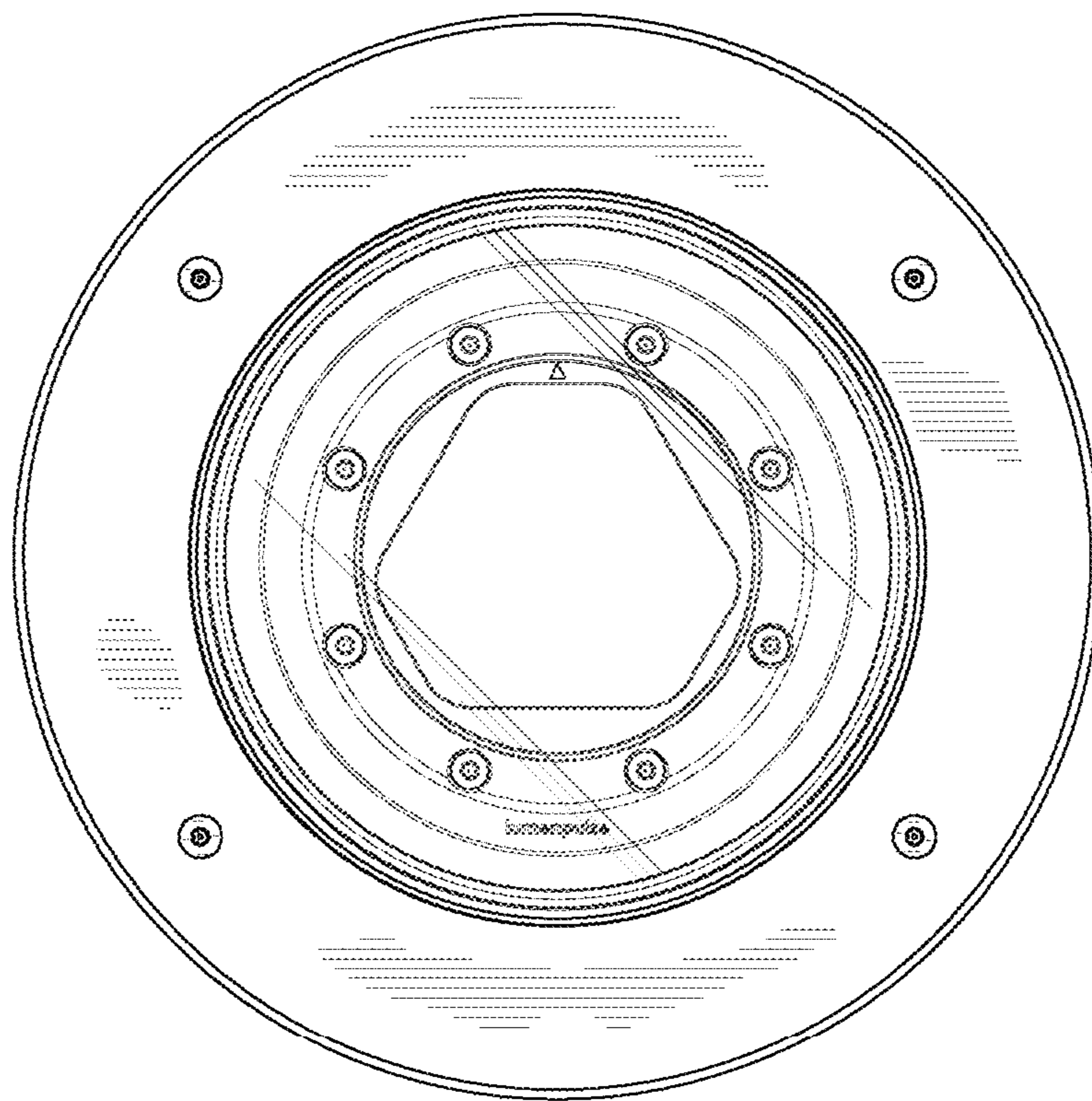


FIG. 41

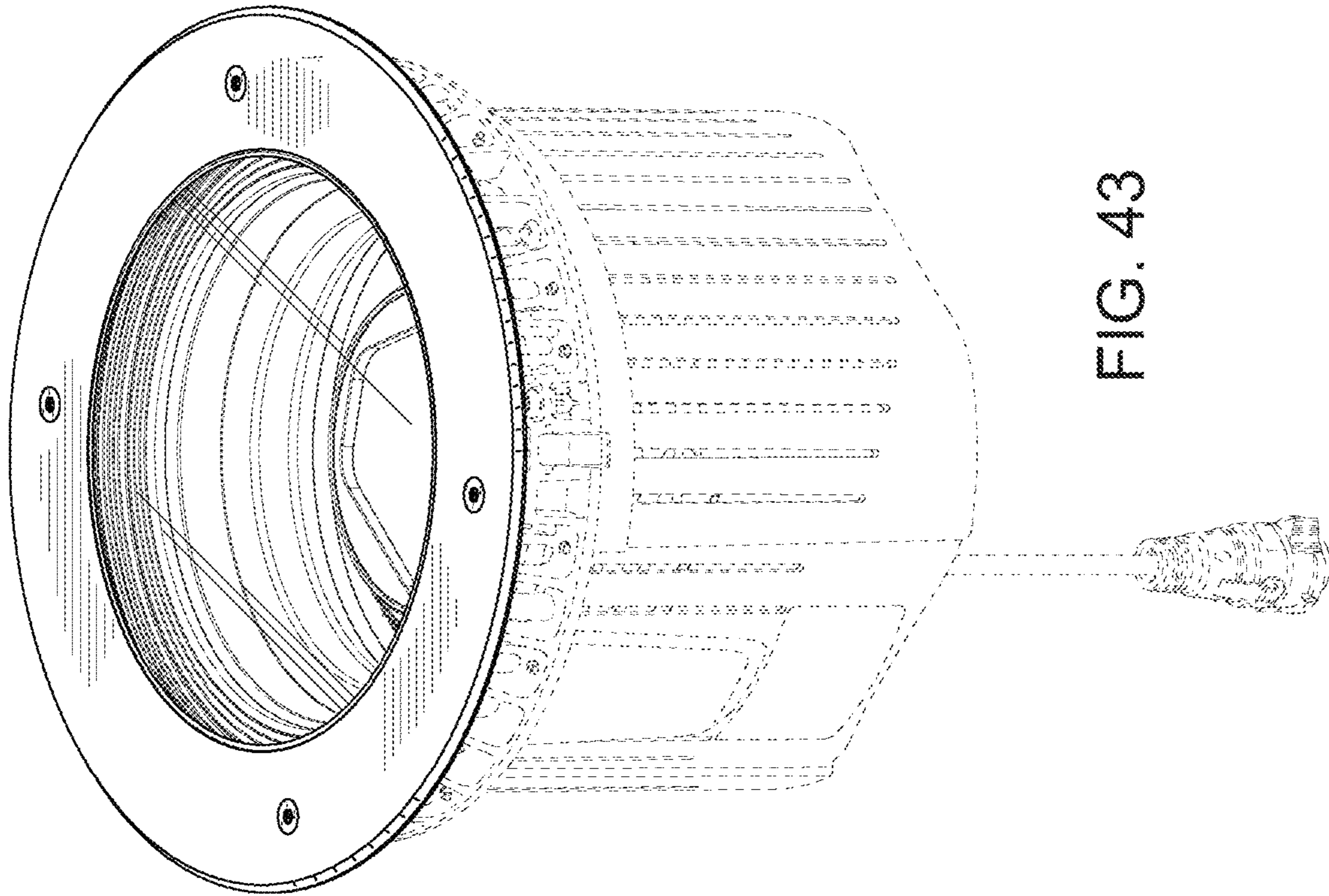


FIG. 43

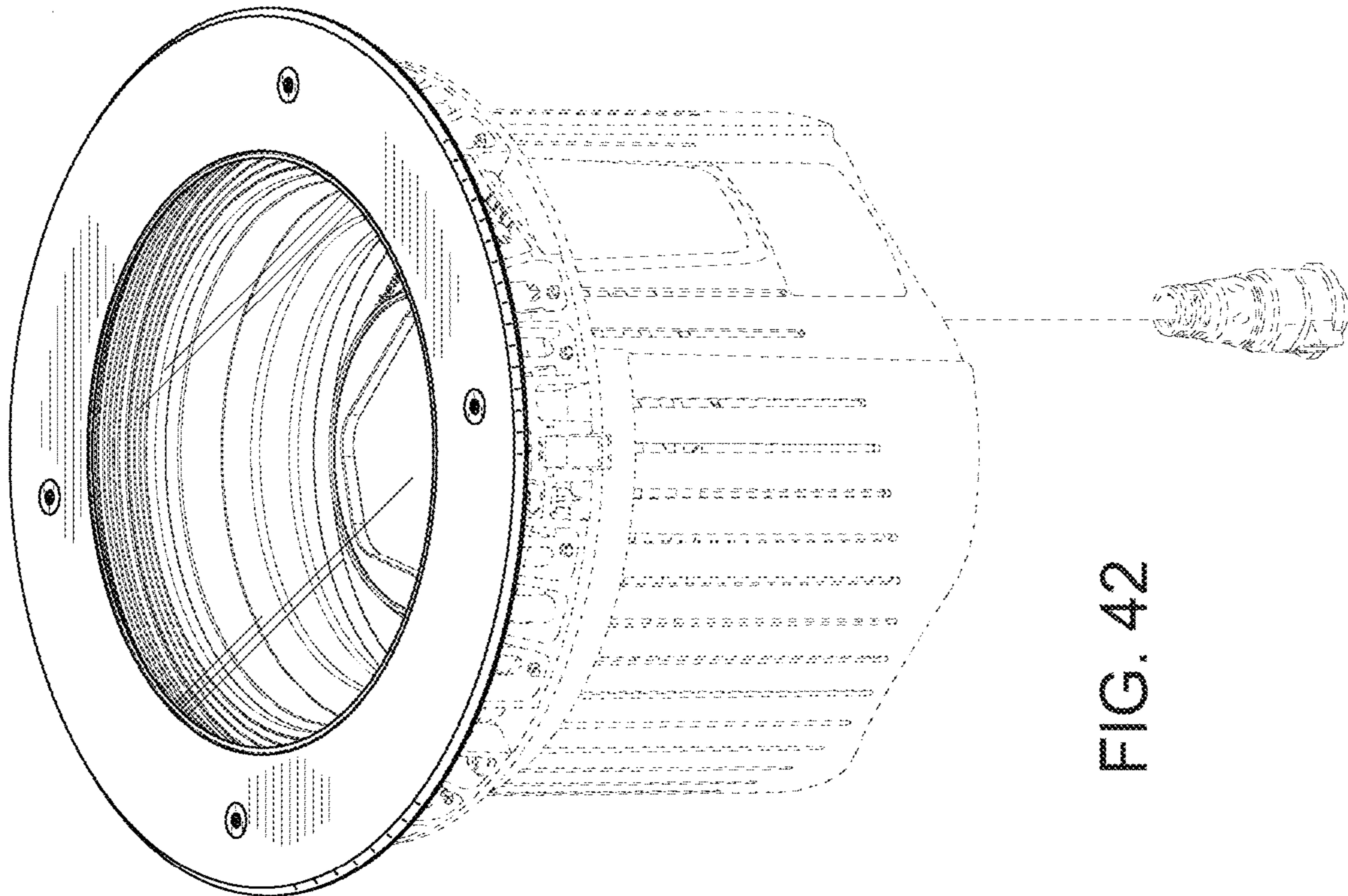


FIG. 42

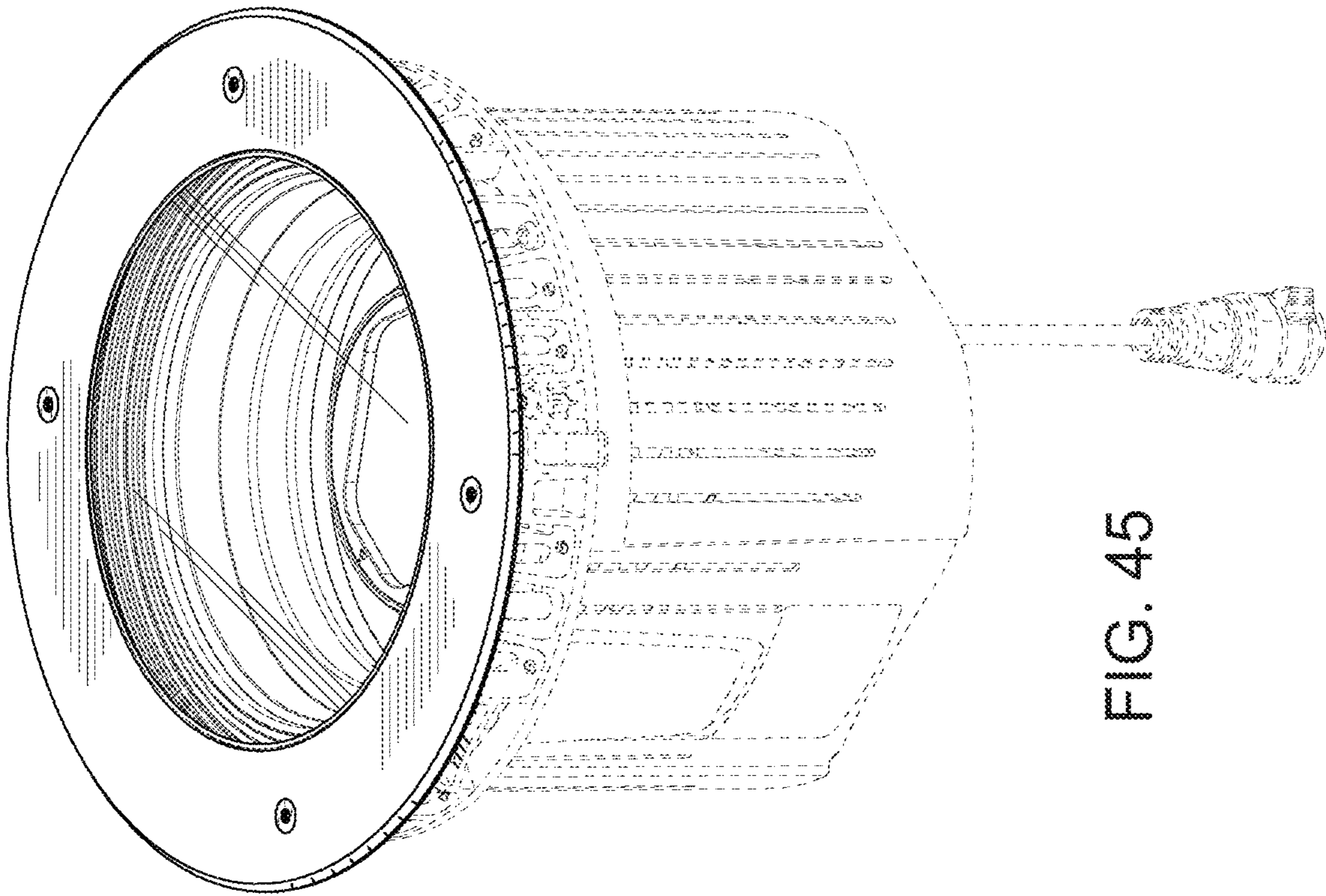


FIG. 45

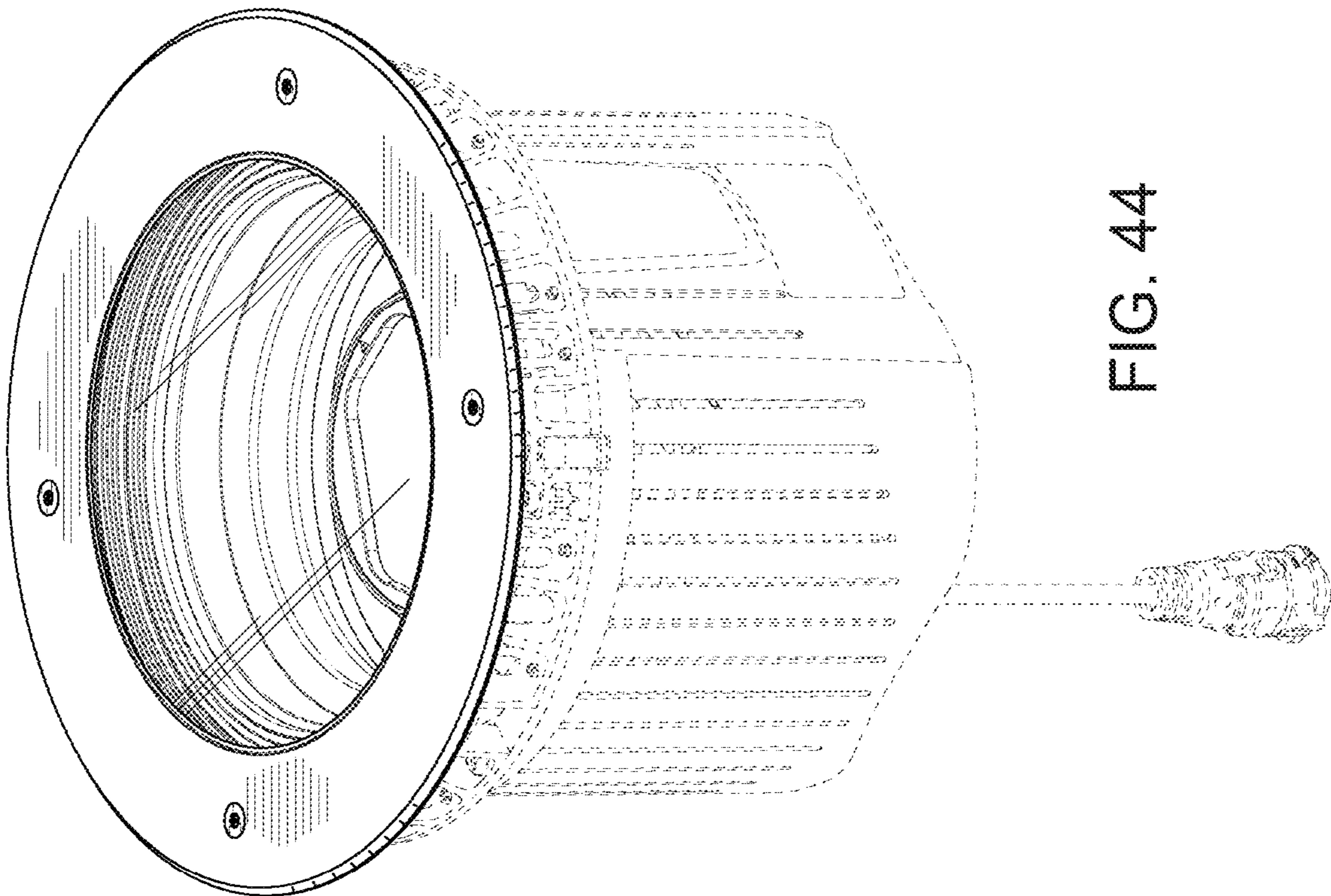


FIG. 44

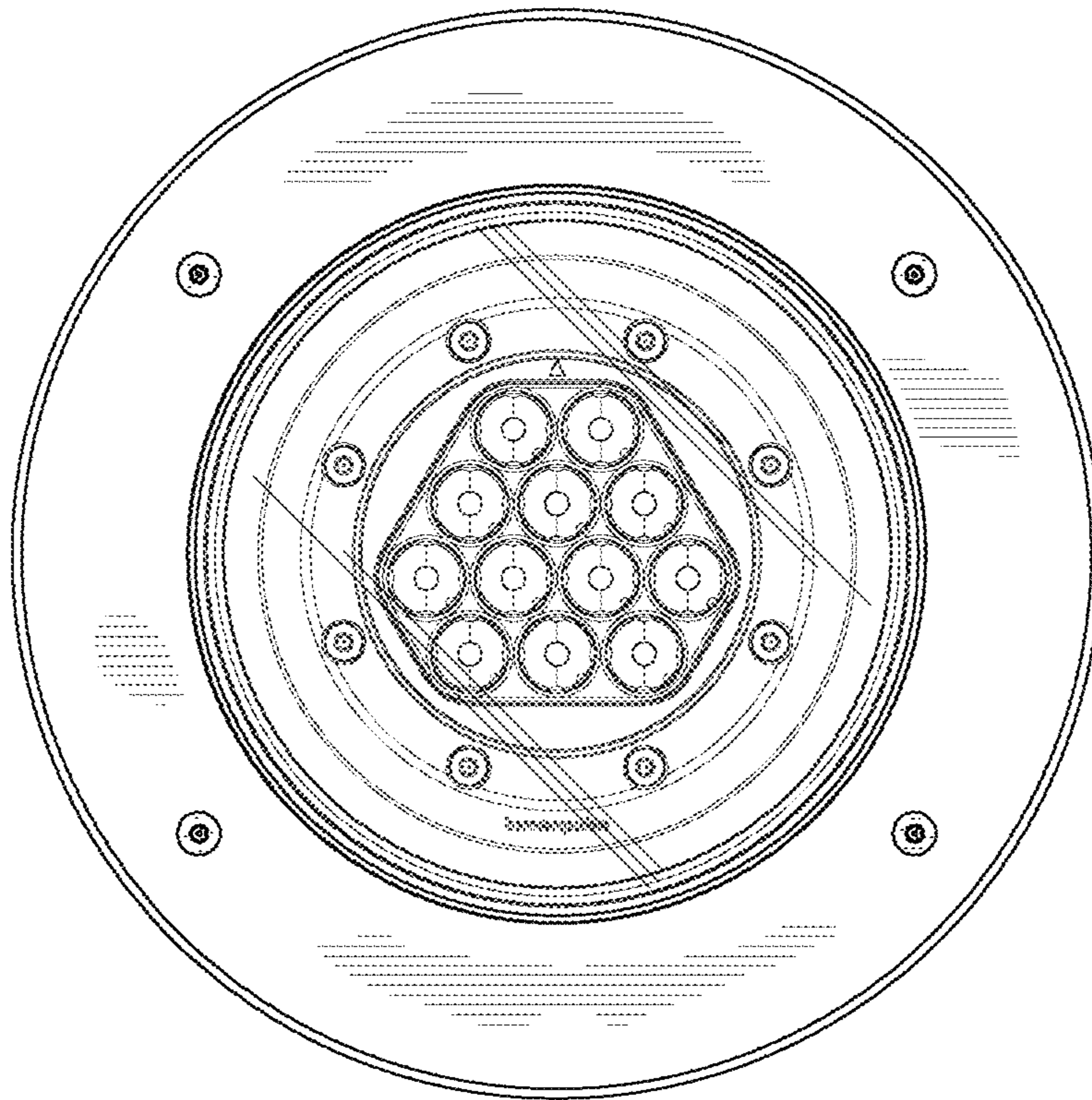


FIG. 46

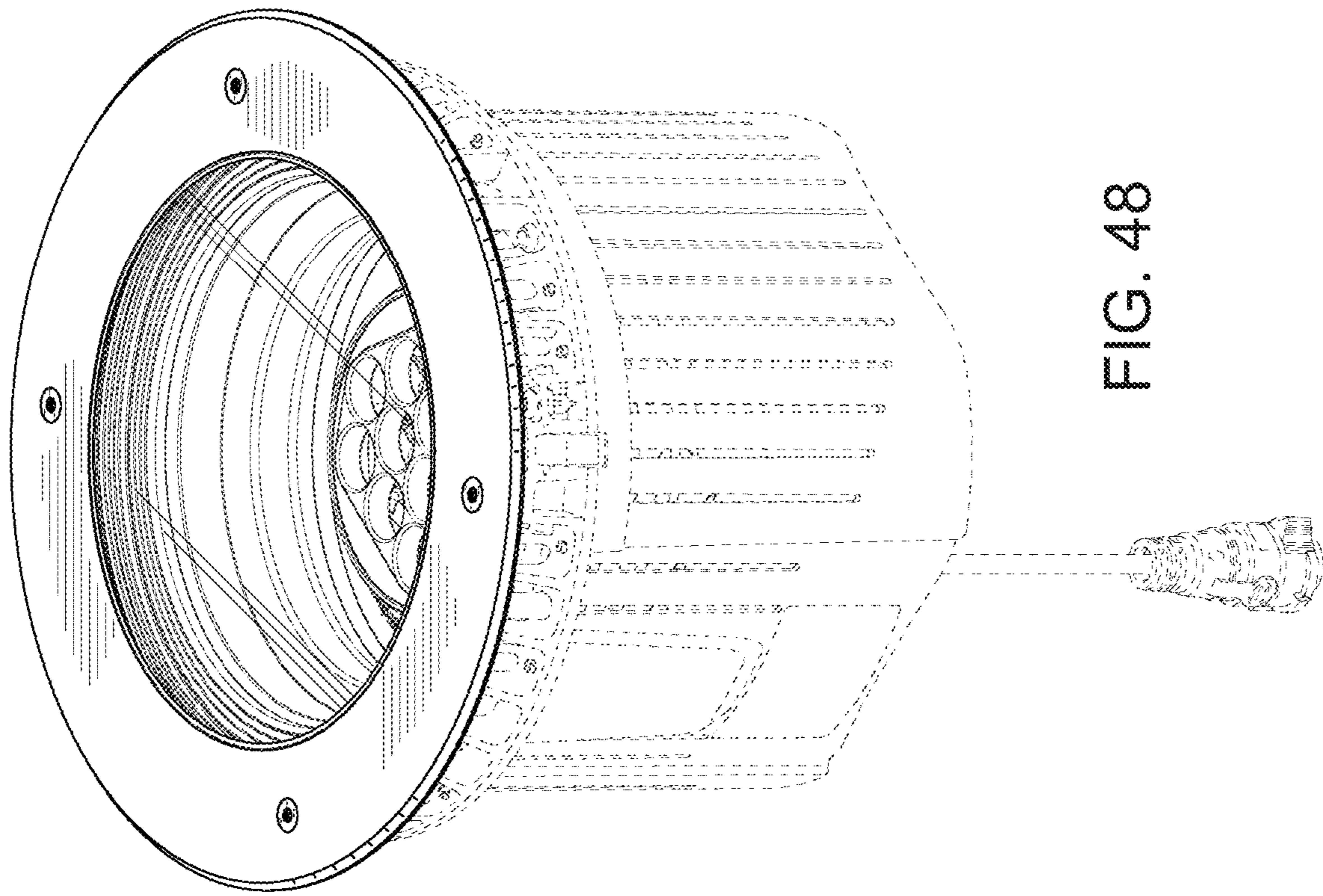


FIG. 48

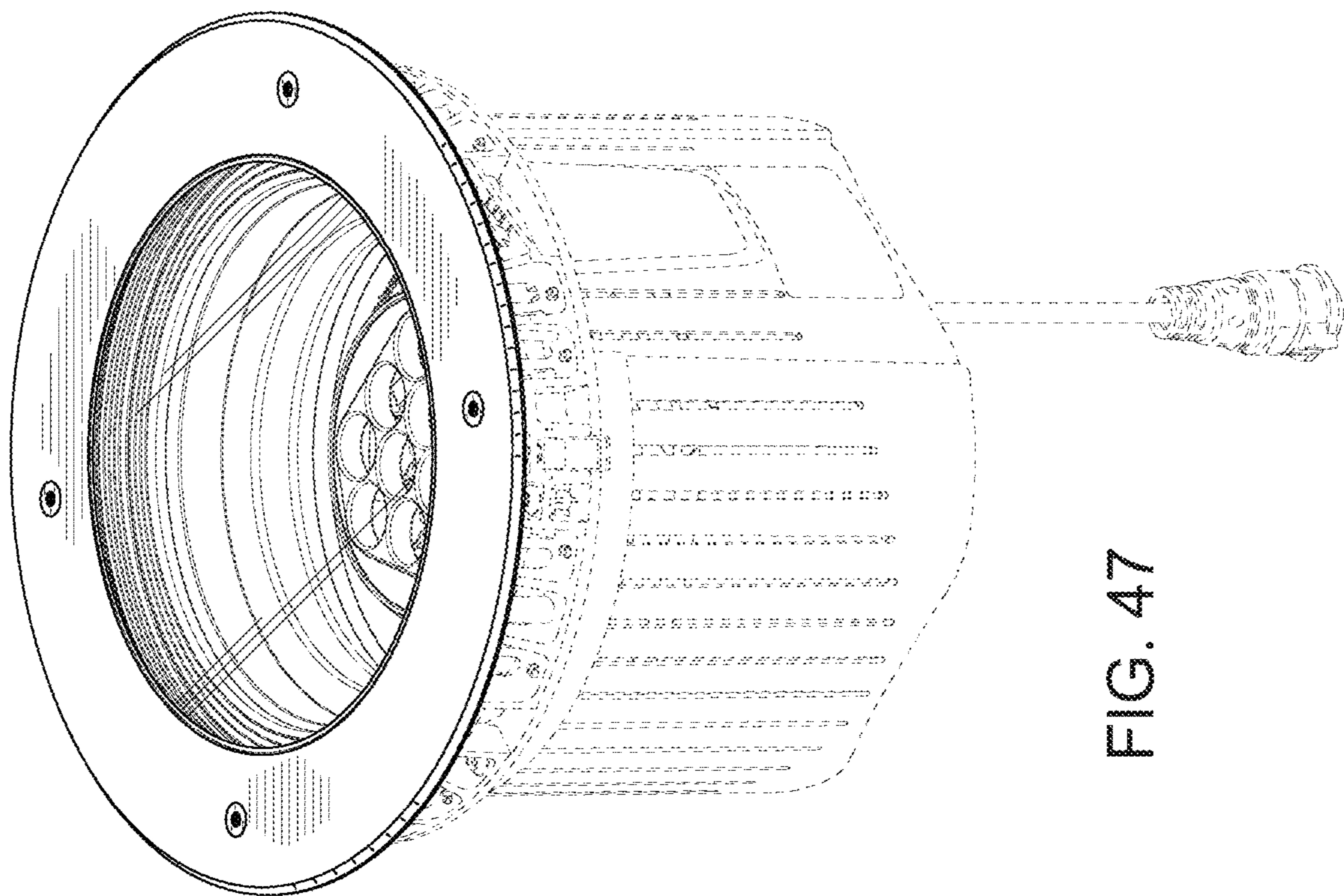


FIG. 47



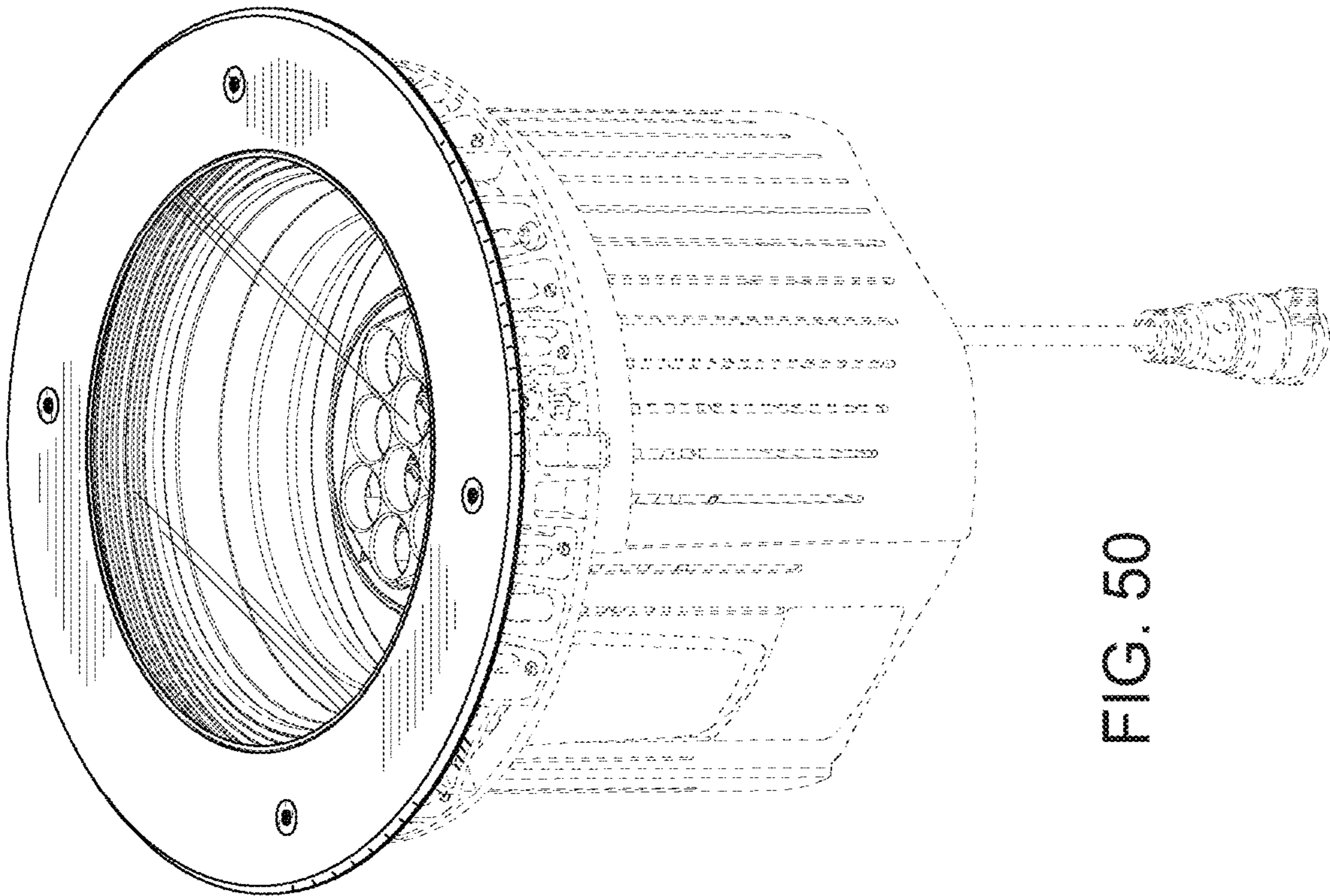


FIG. 50

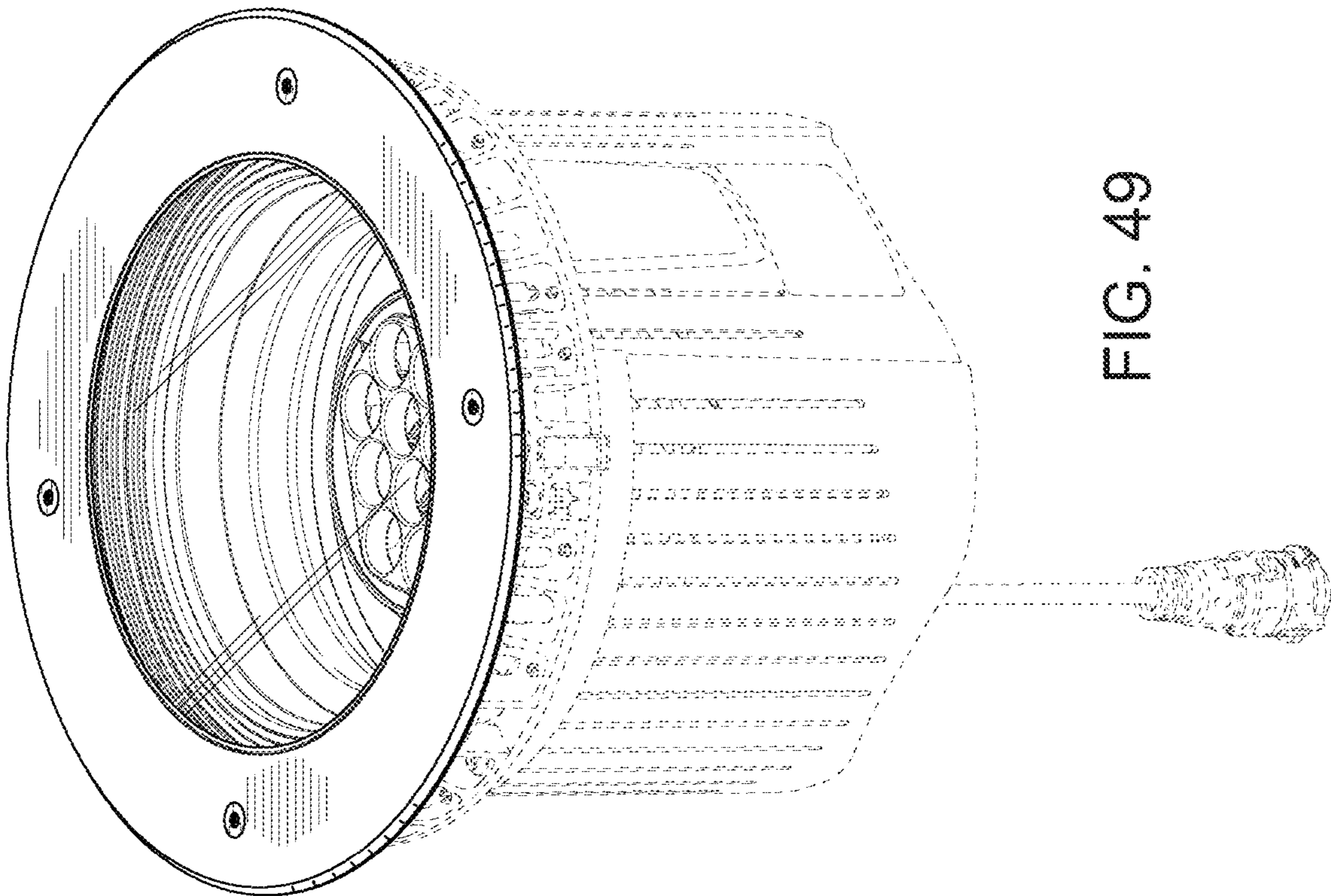


FIG. 49

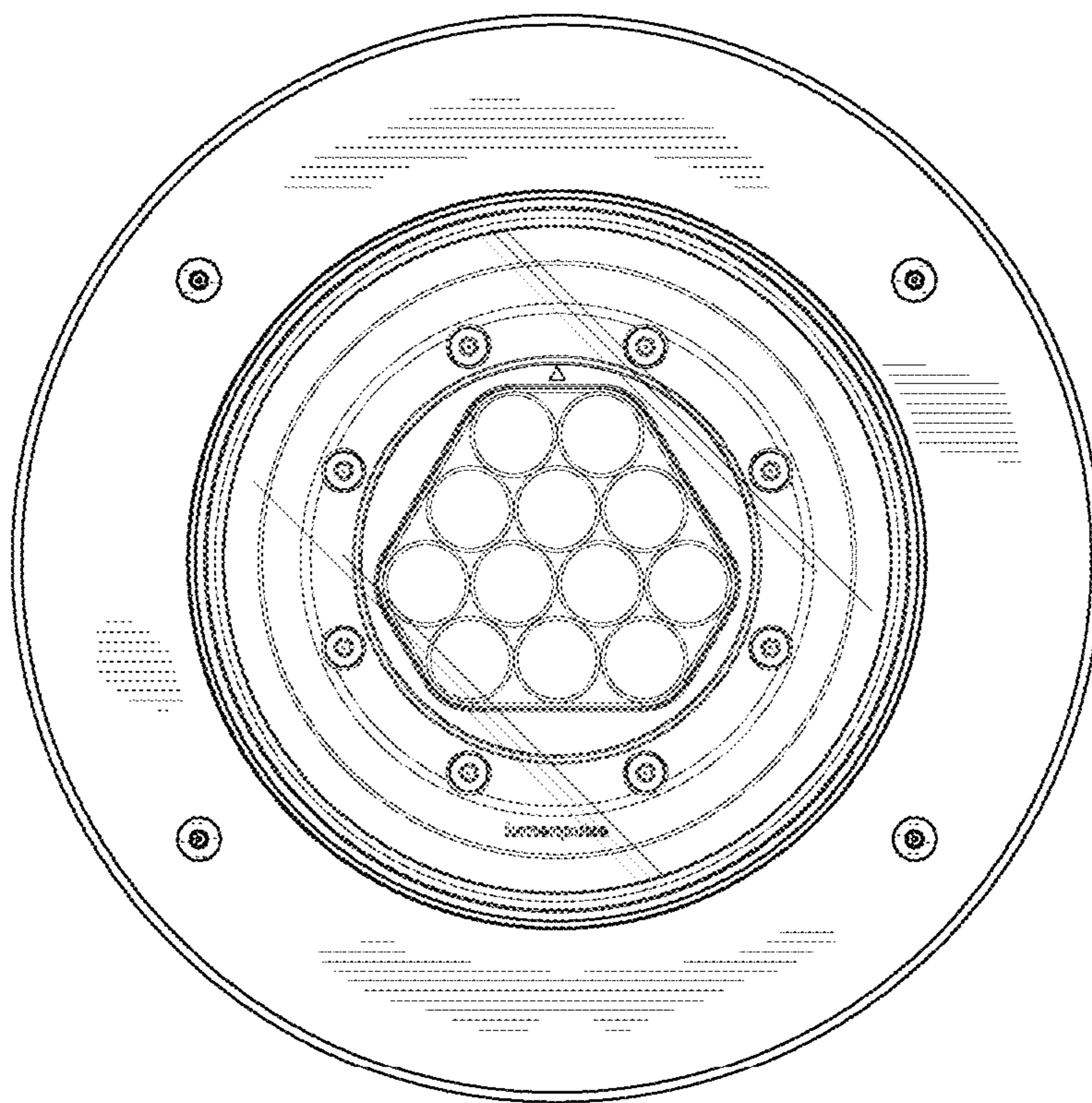


FIG. 51

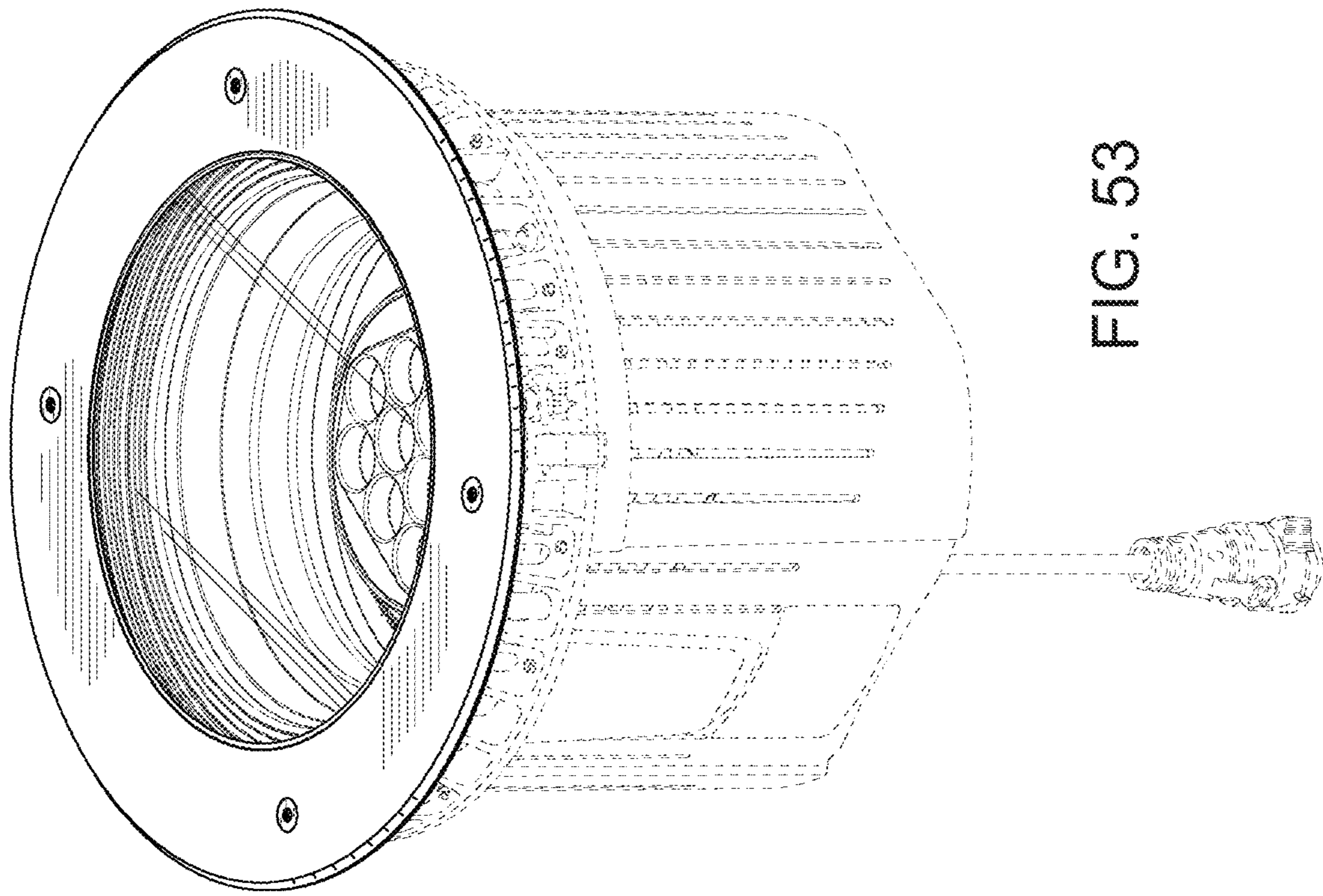


FIG. 53

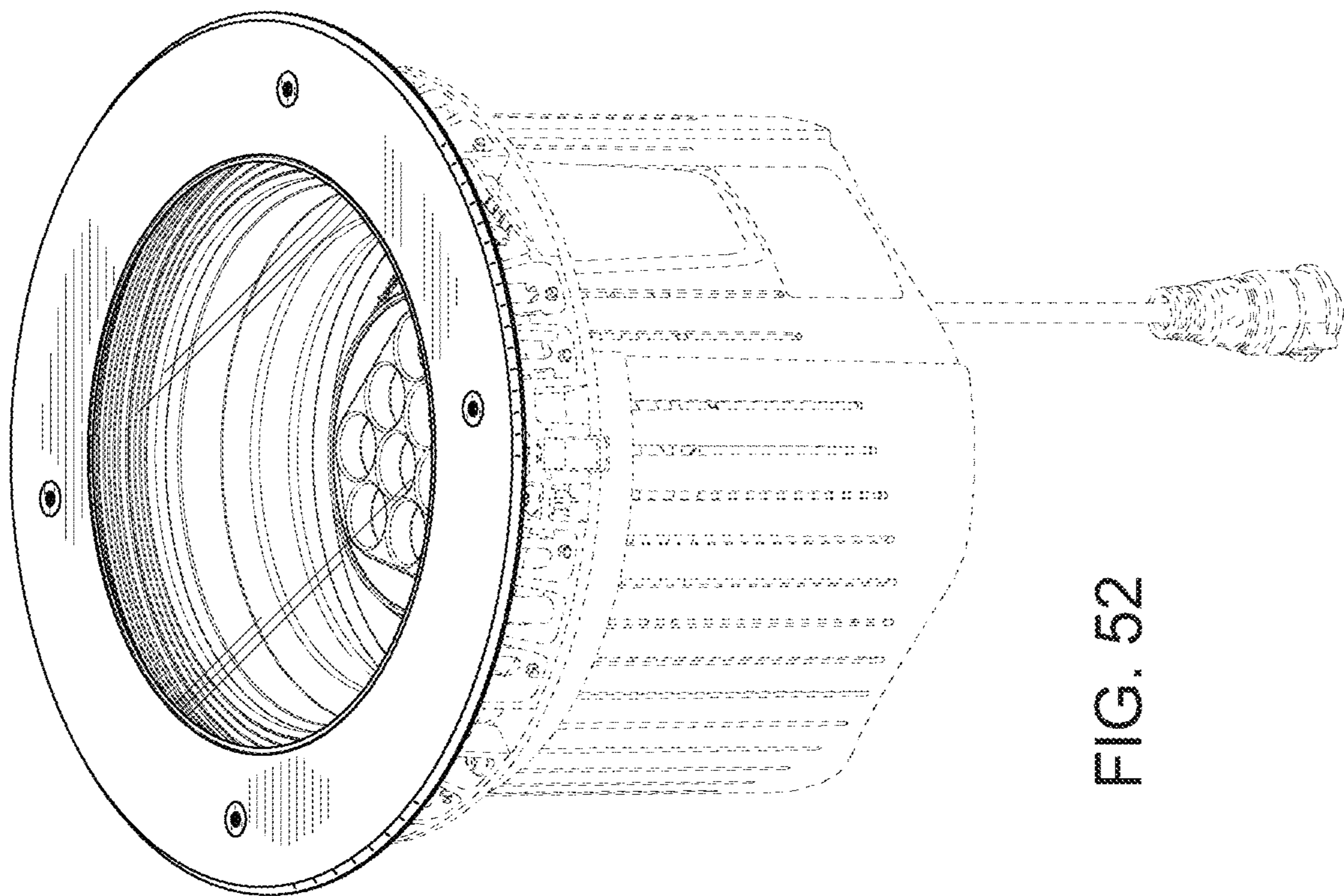


FIG. 52

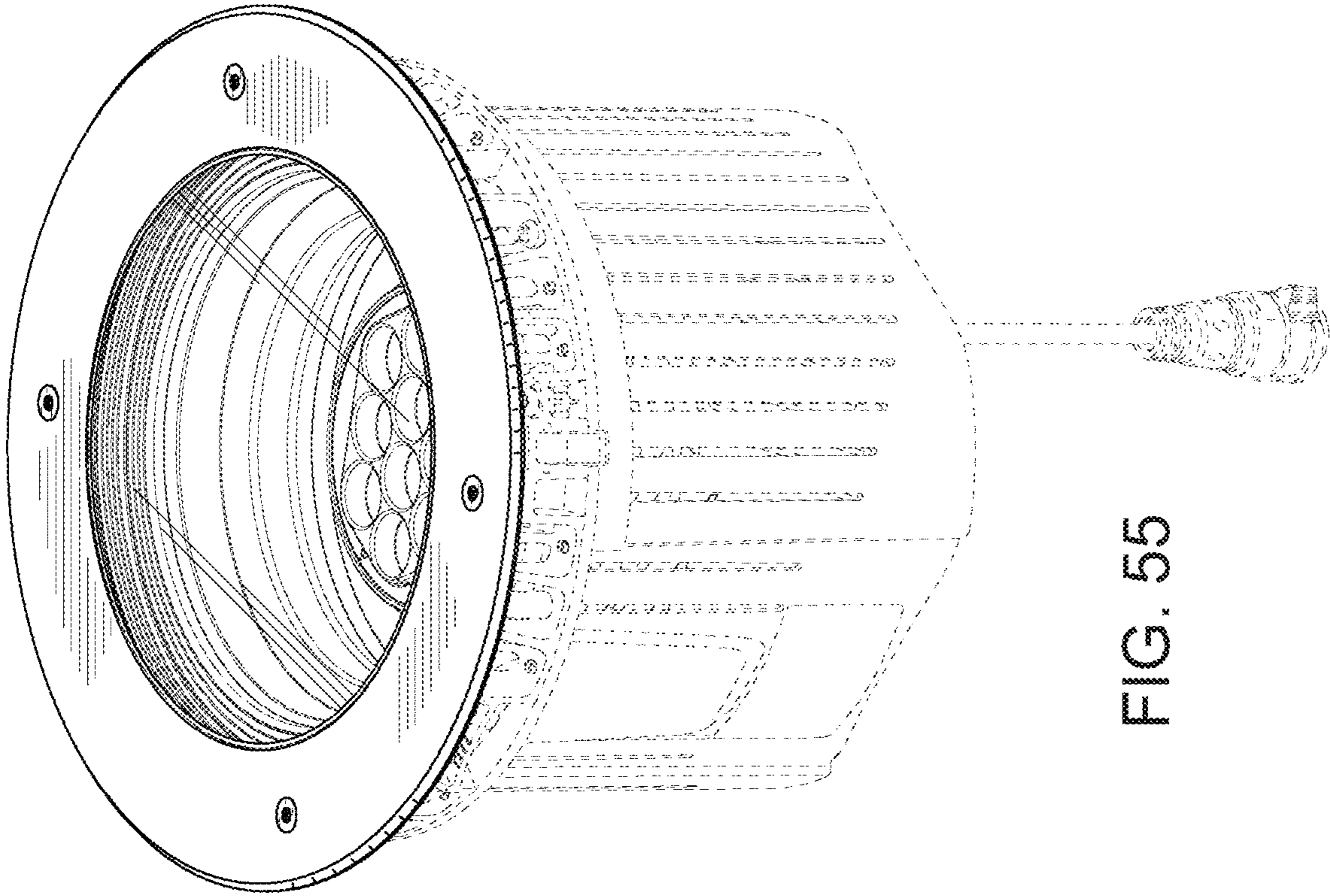


FIG. 55

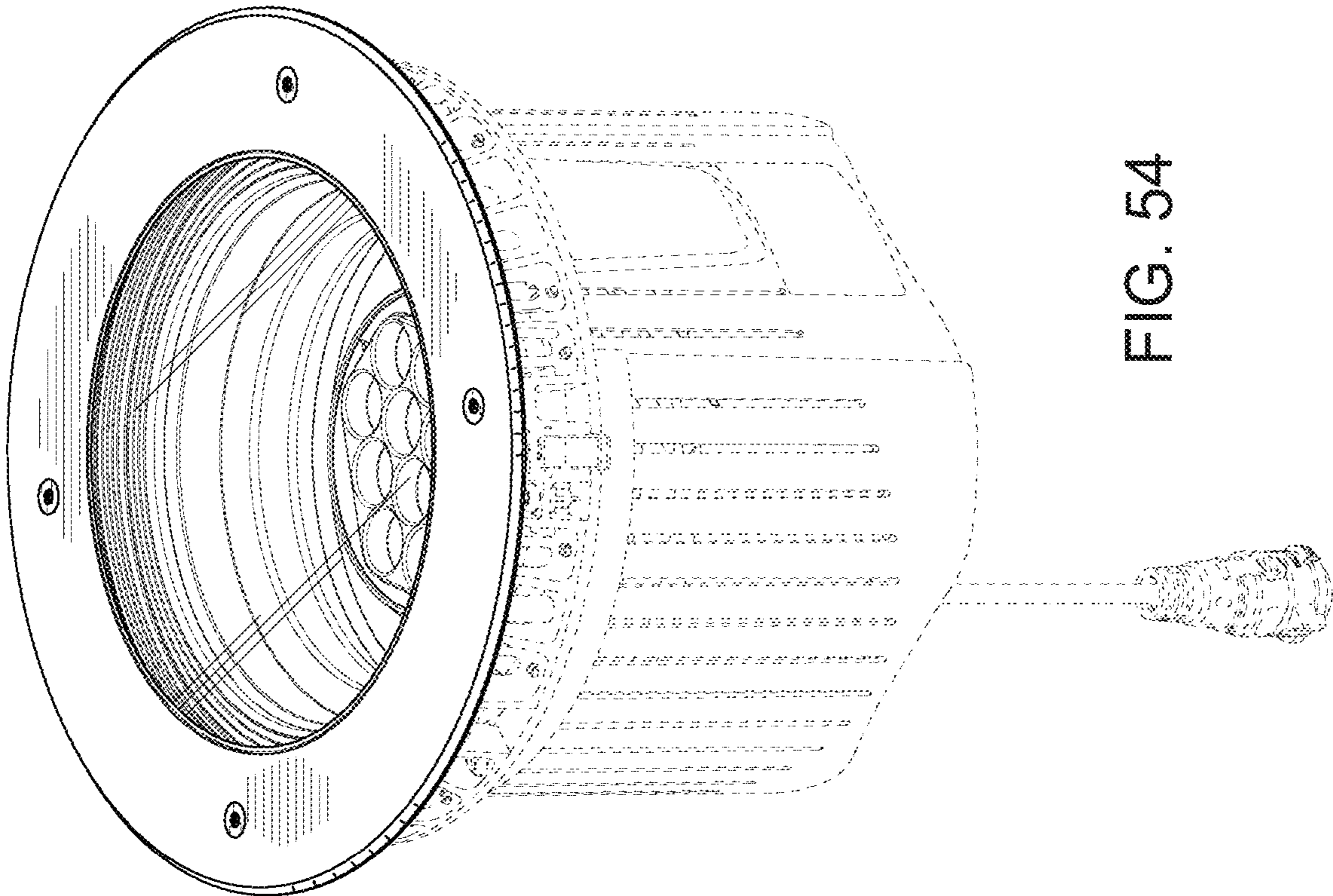


FIG. 54

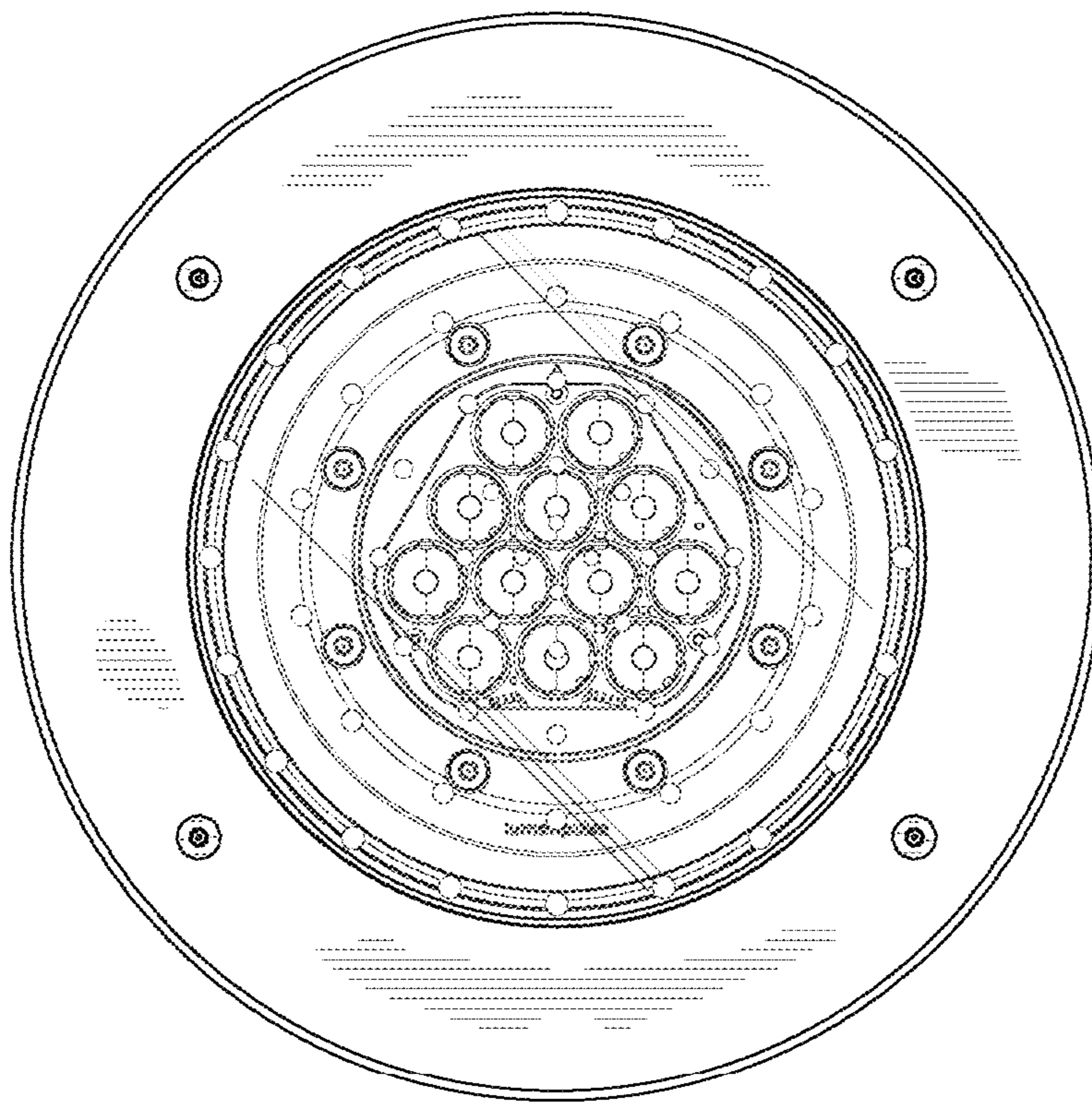


FIG. 56

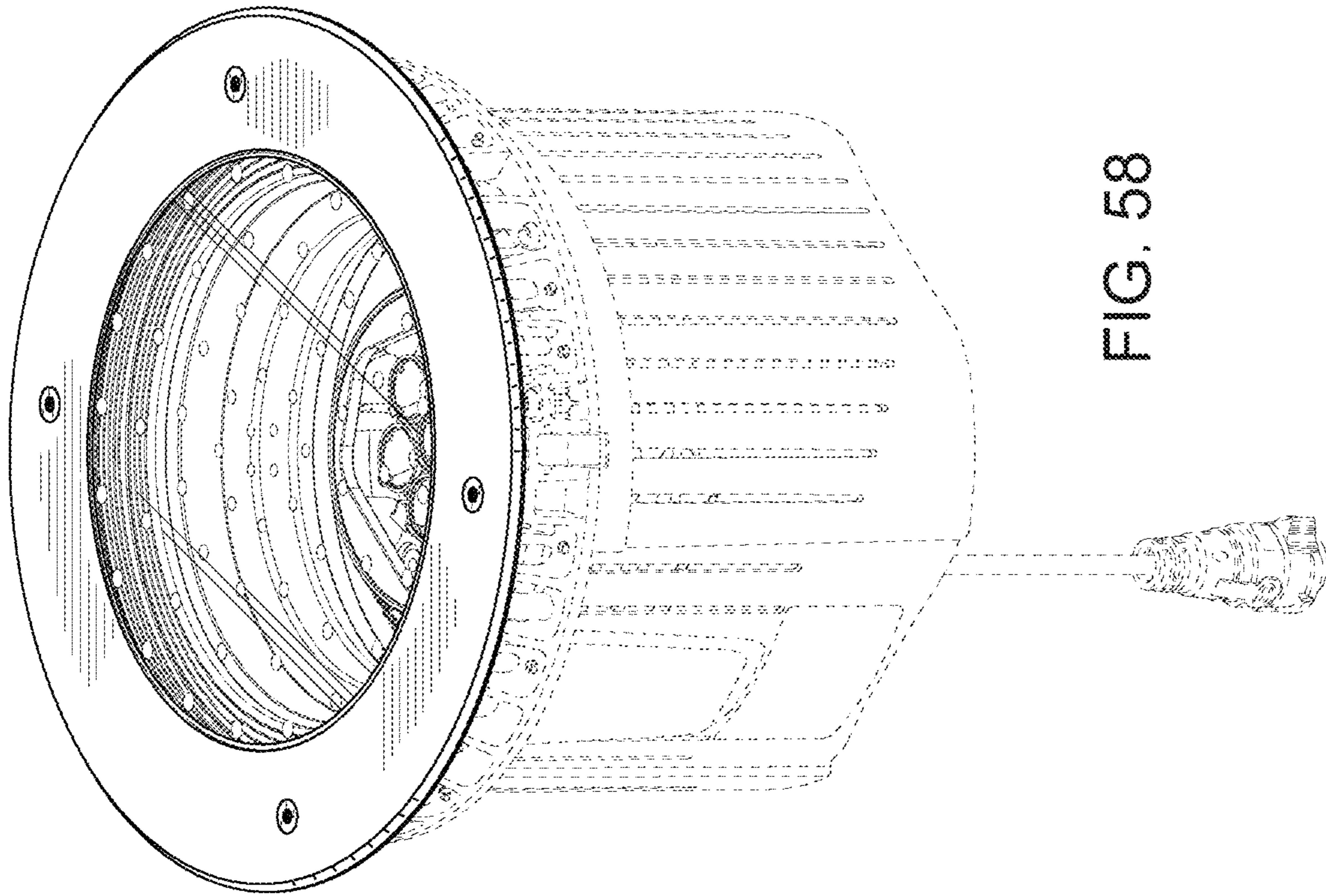


FIG. 57

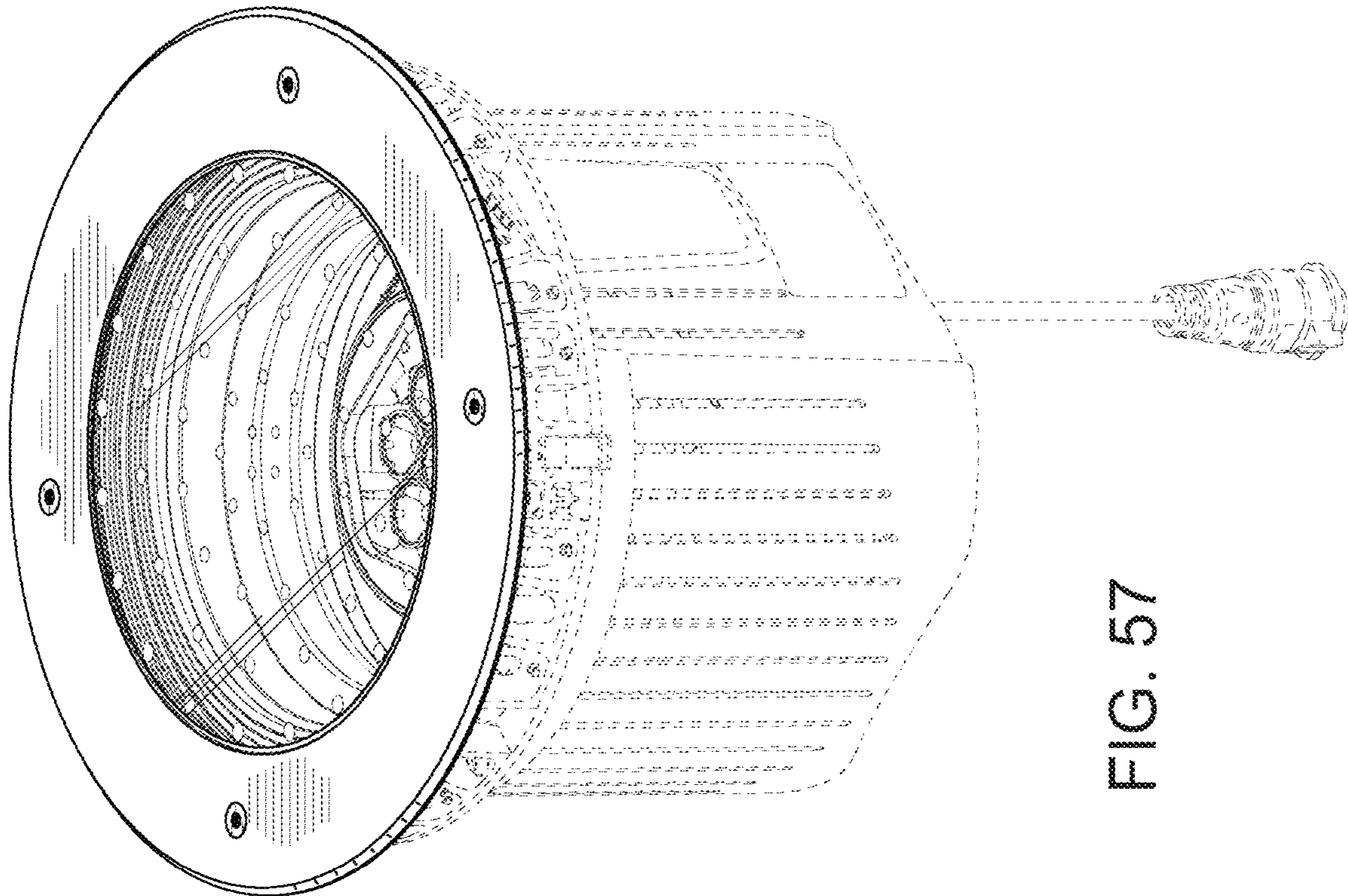


FIG. 58

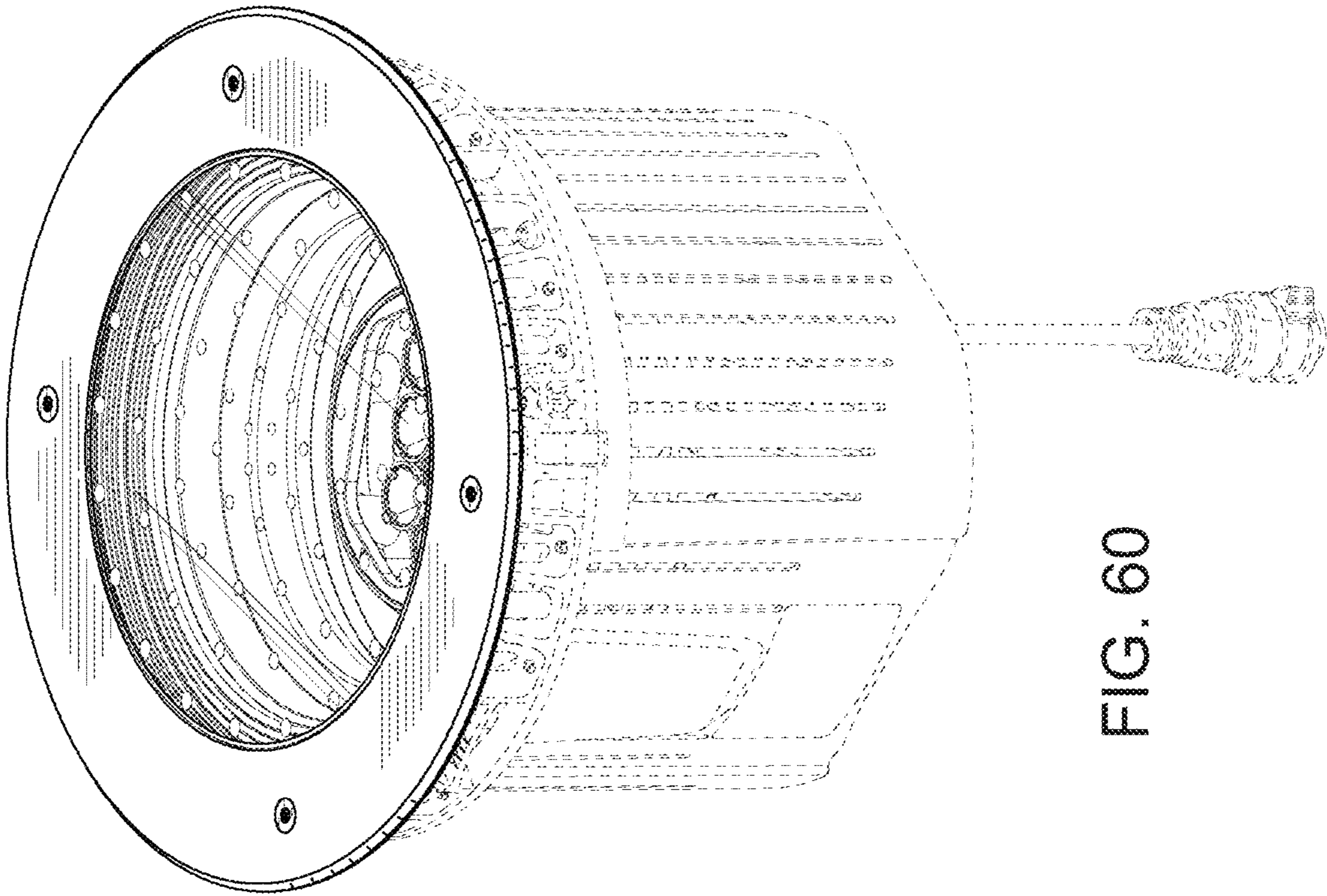


FIG. 60

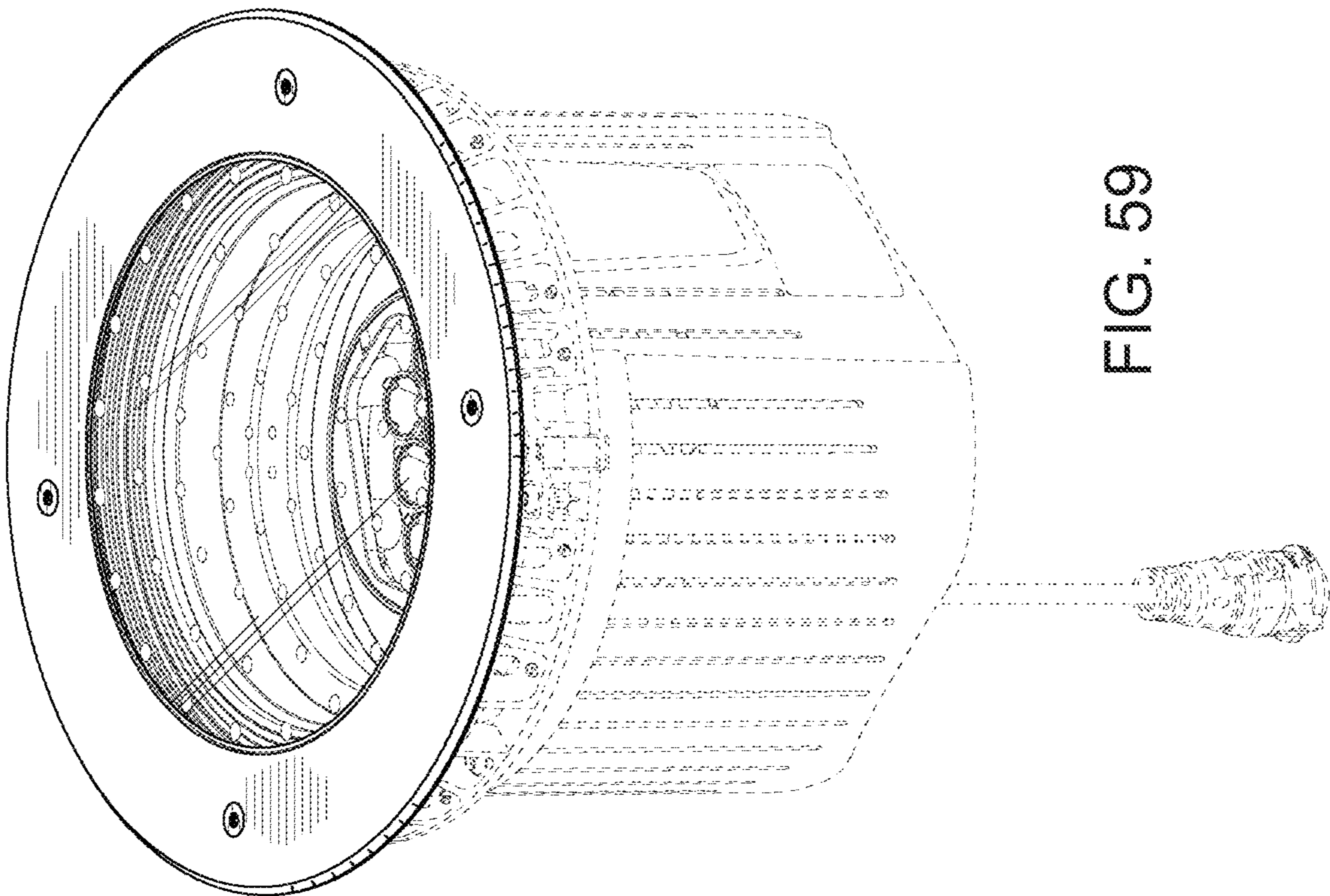


FIG. 59

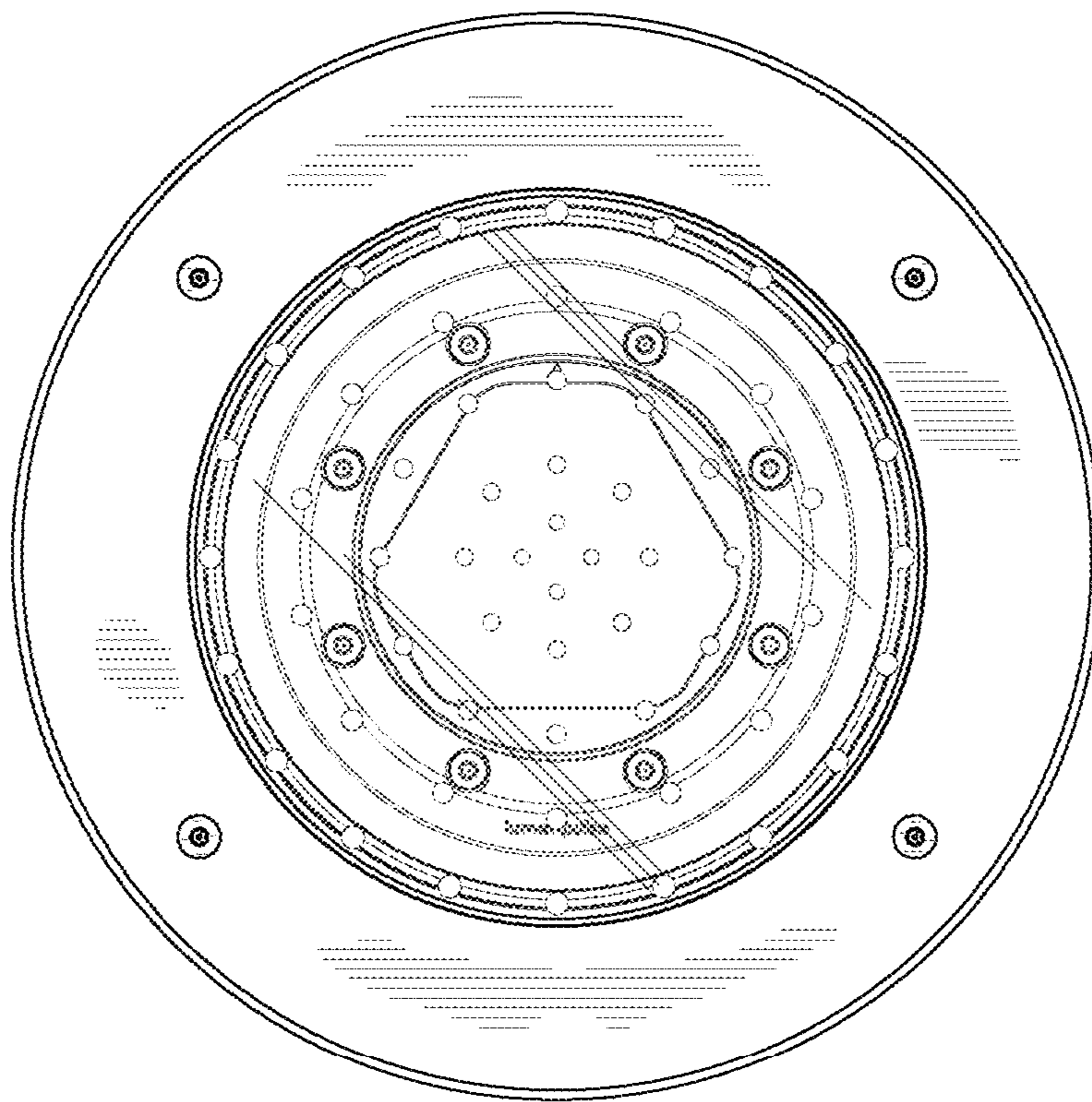


FIG. 61



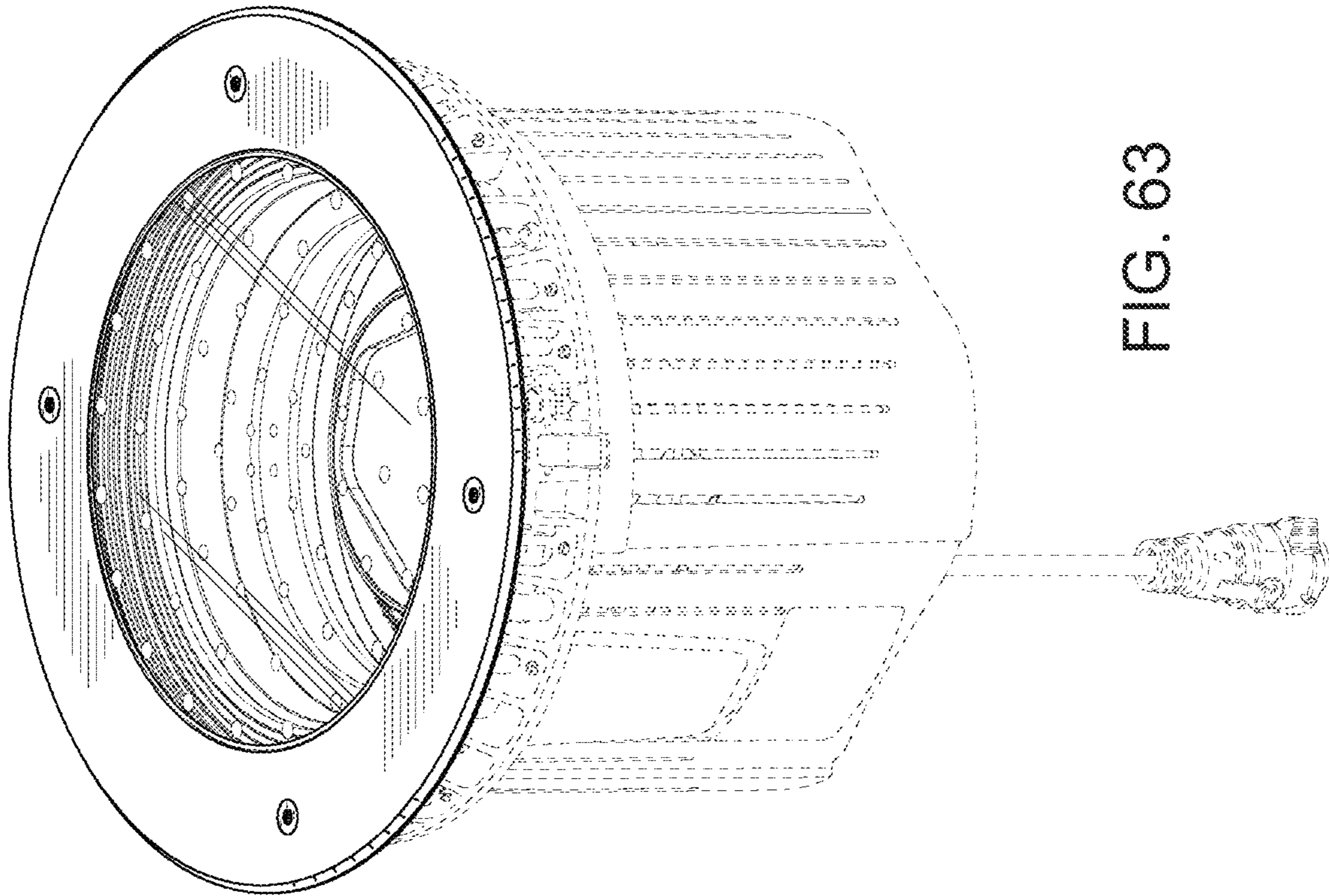


FIG. 63

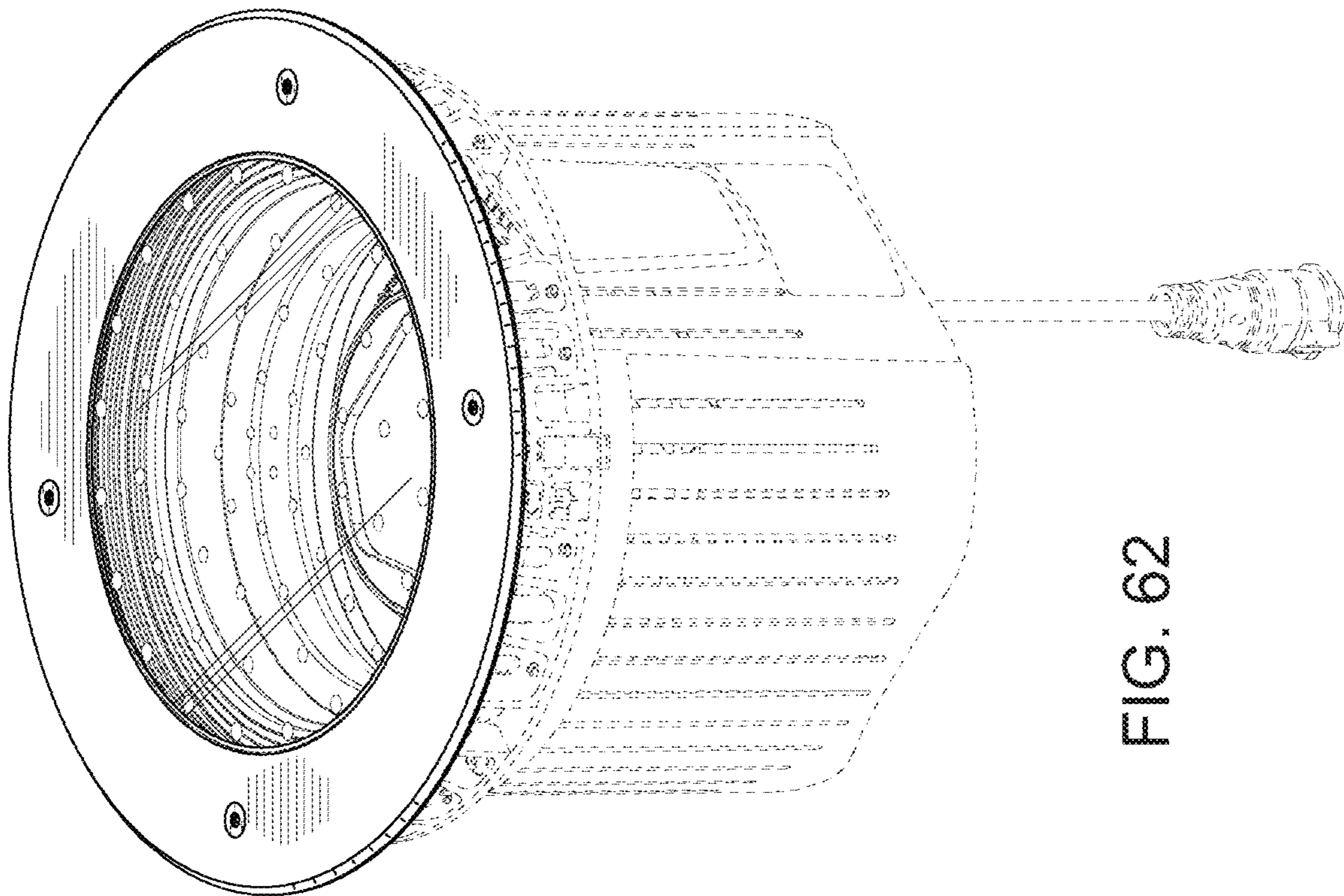


FIG. 62

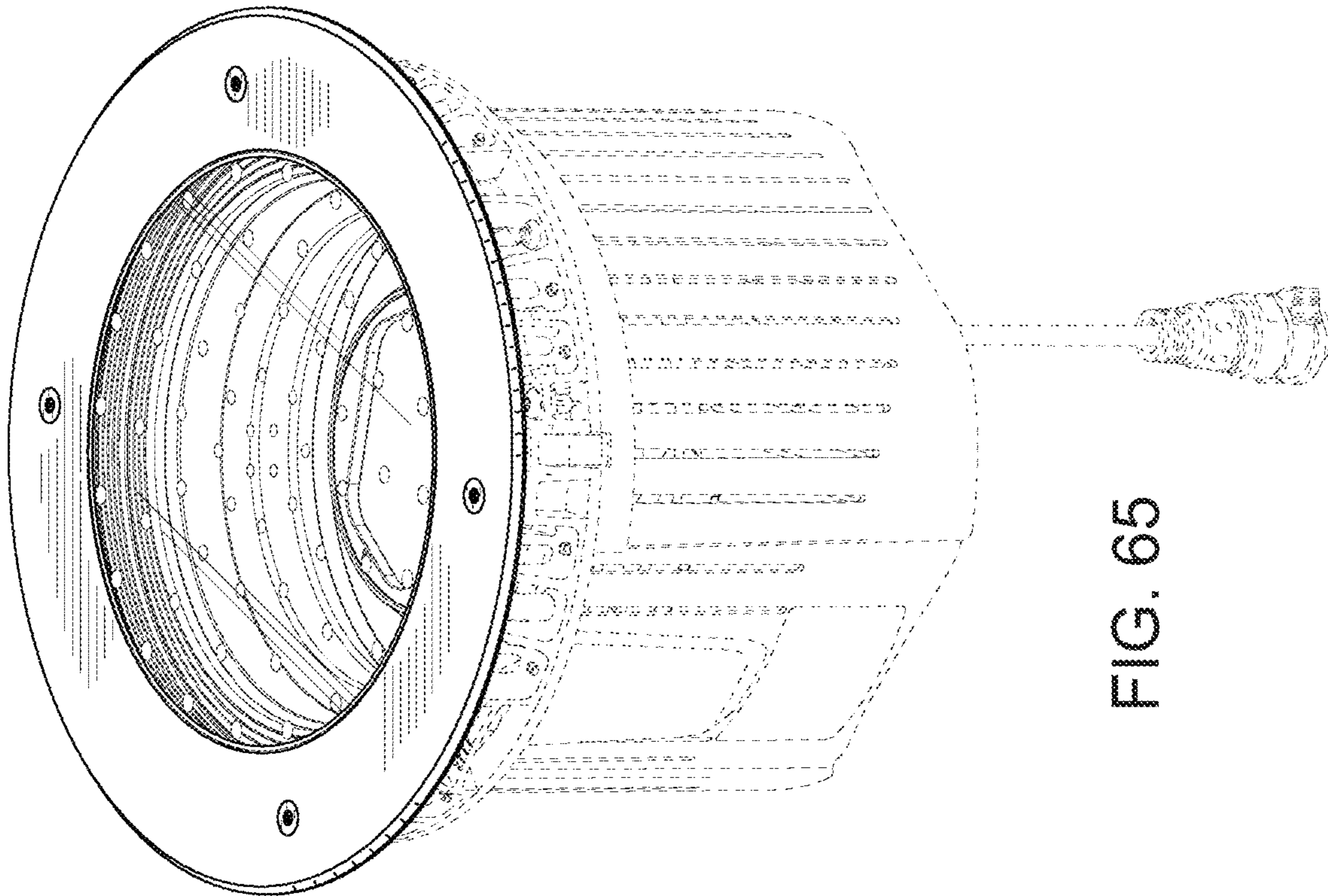


FIG. 65

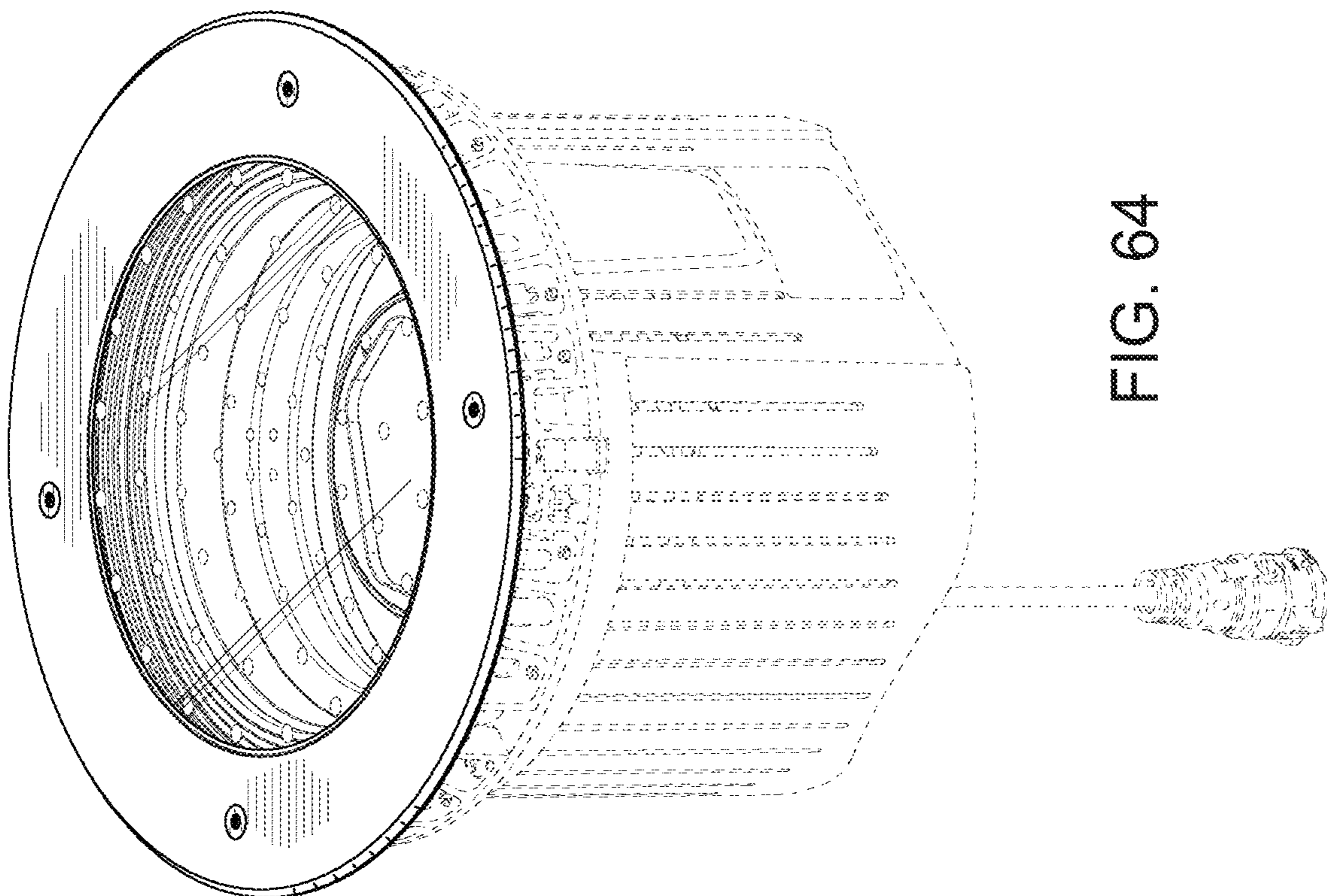


FIG. 64

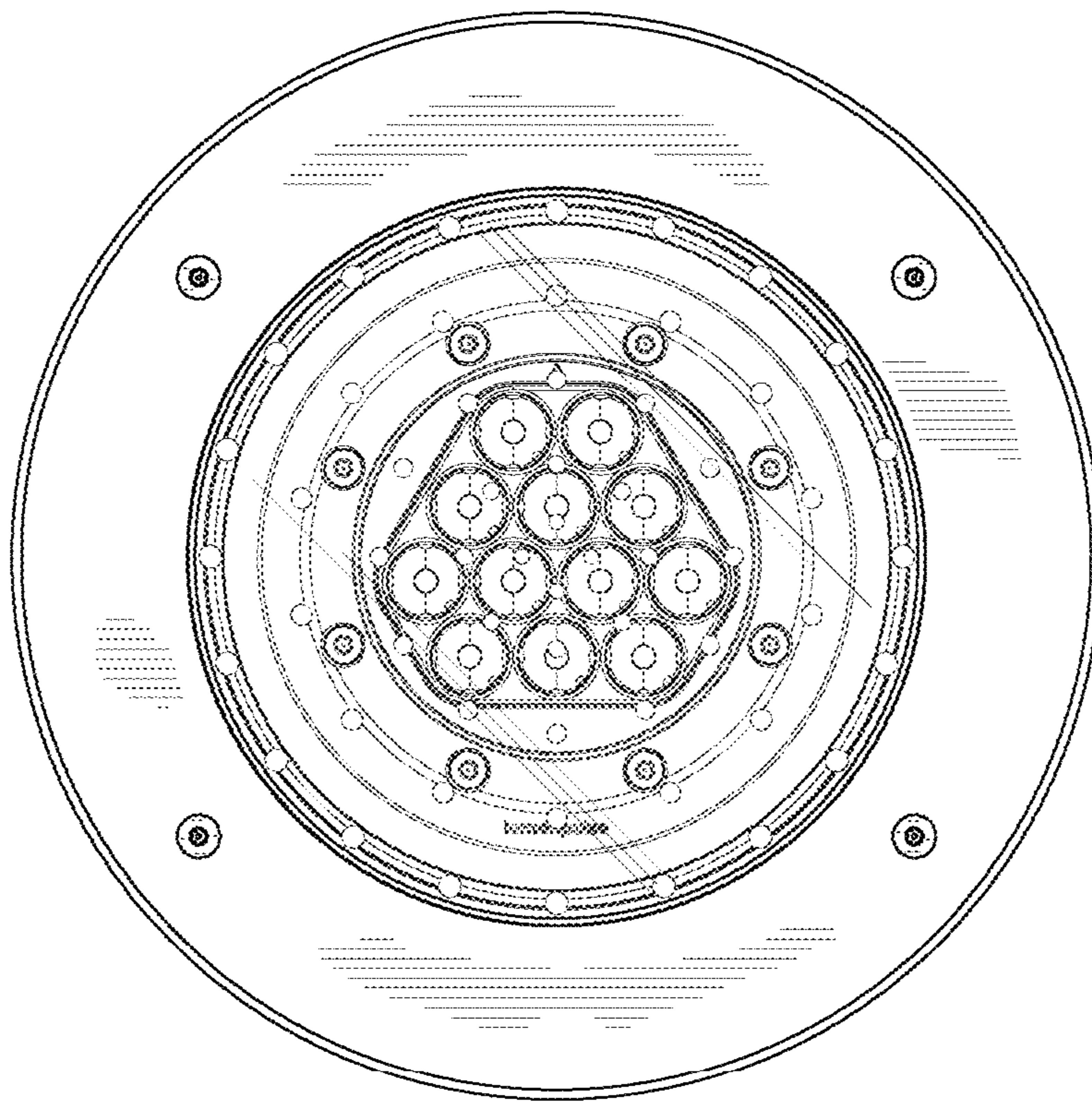


FIG. 66

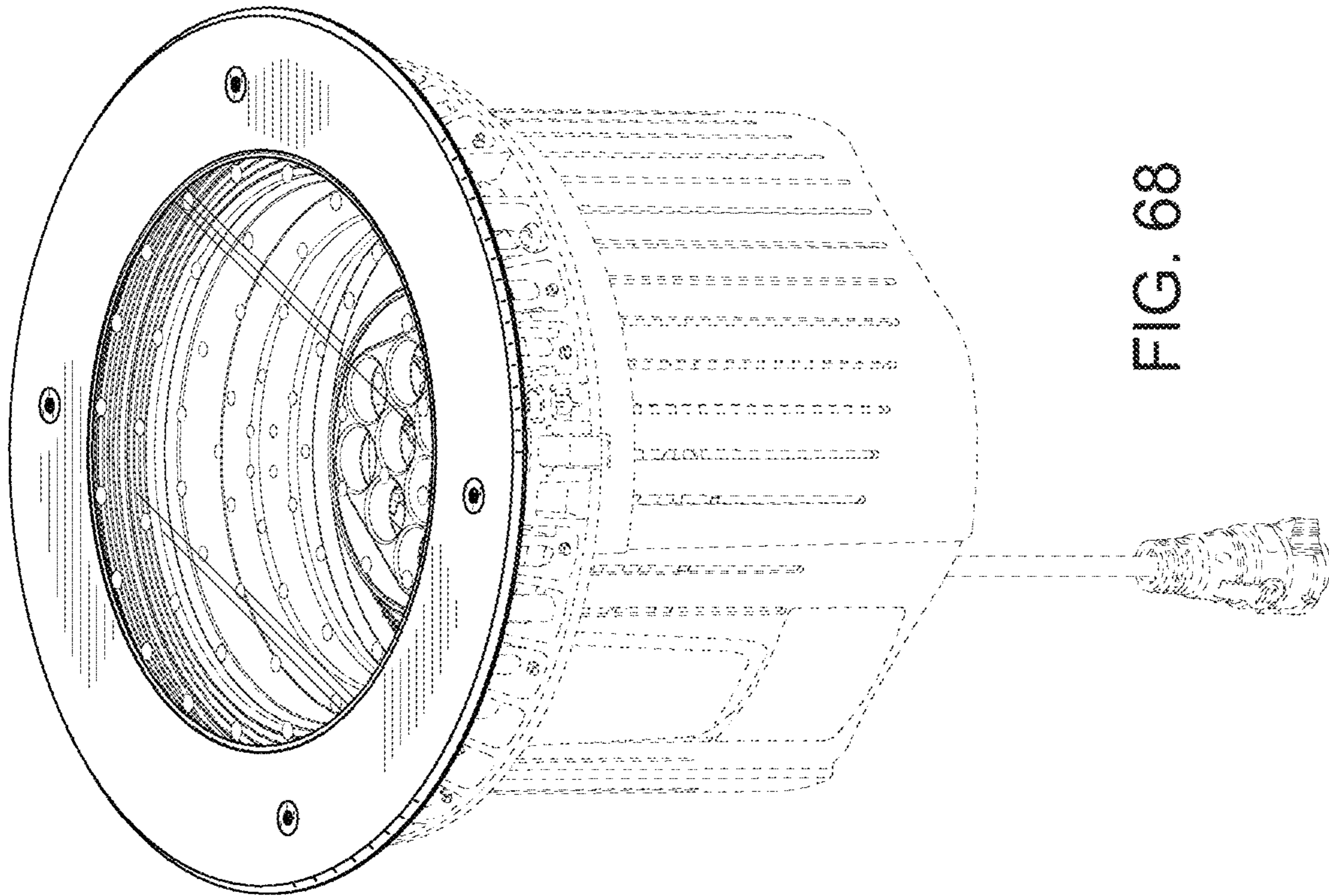


FIG. 68

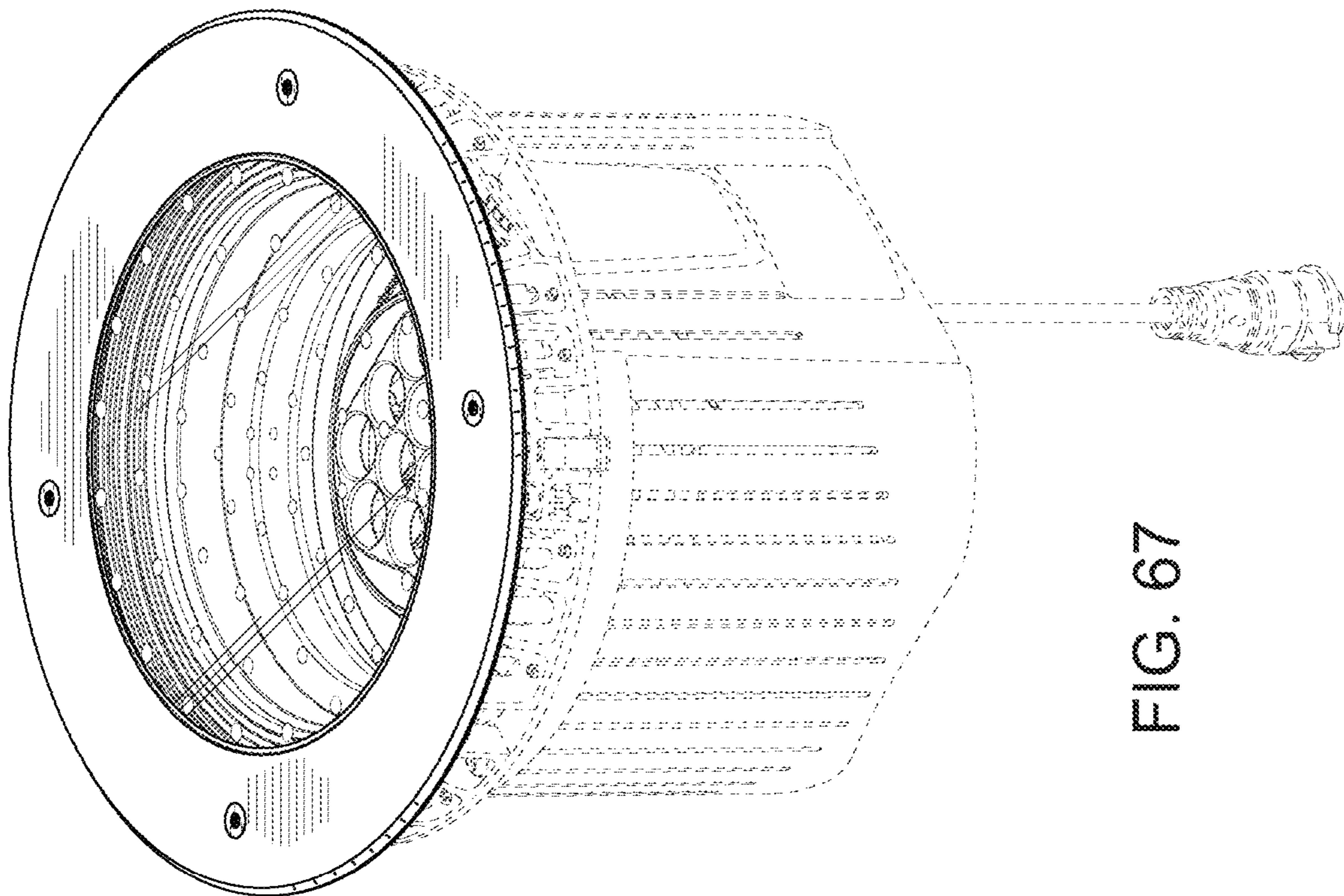


FIG. 67

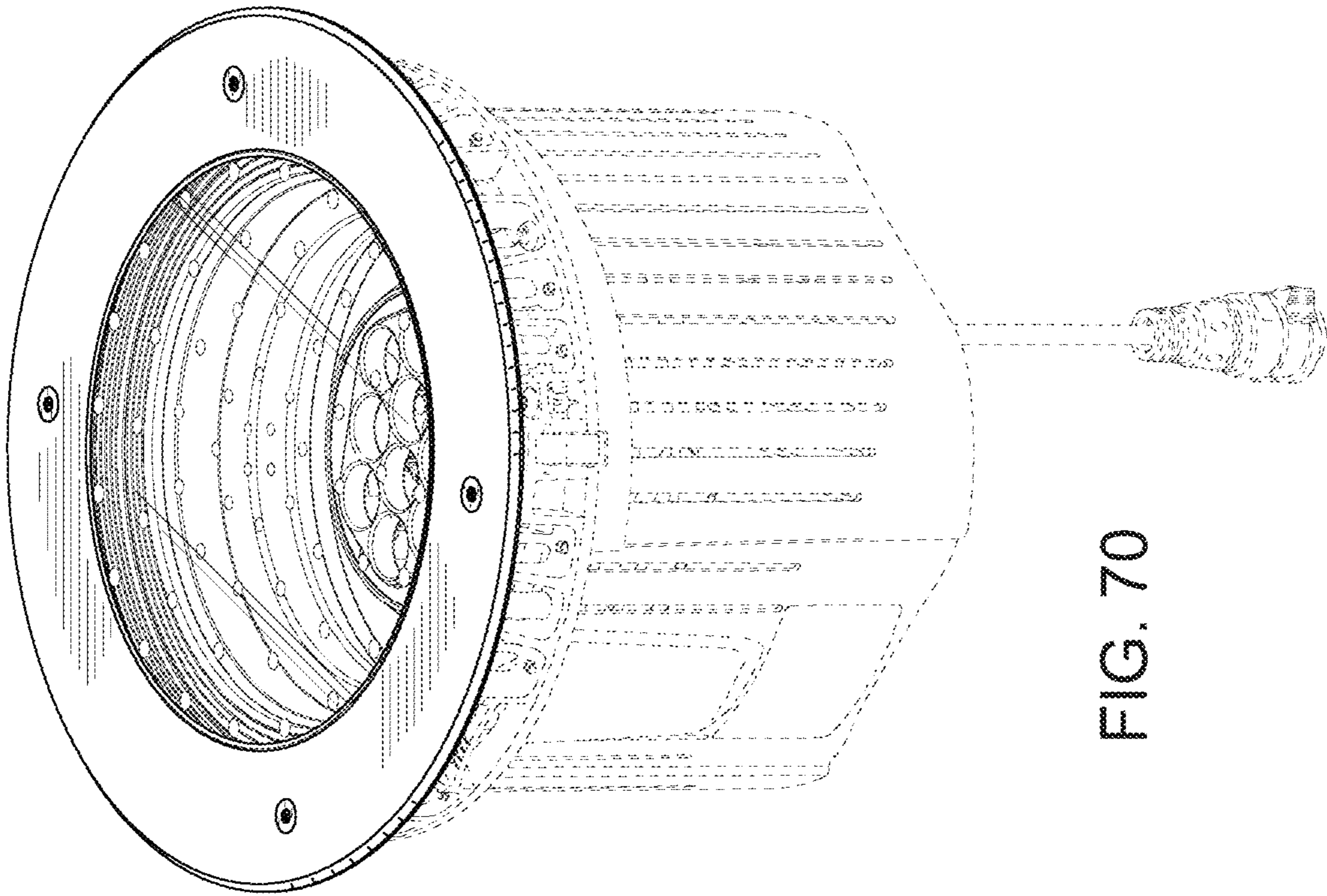


FIG. 70

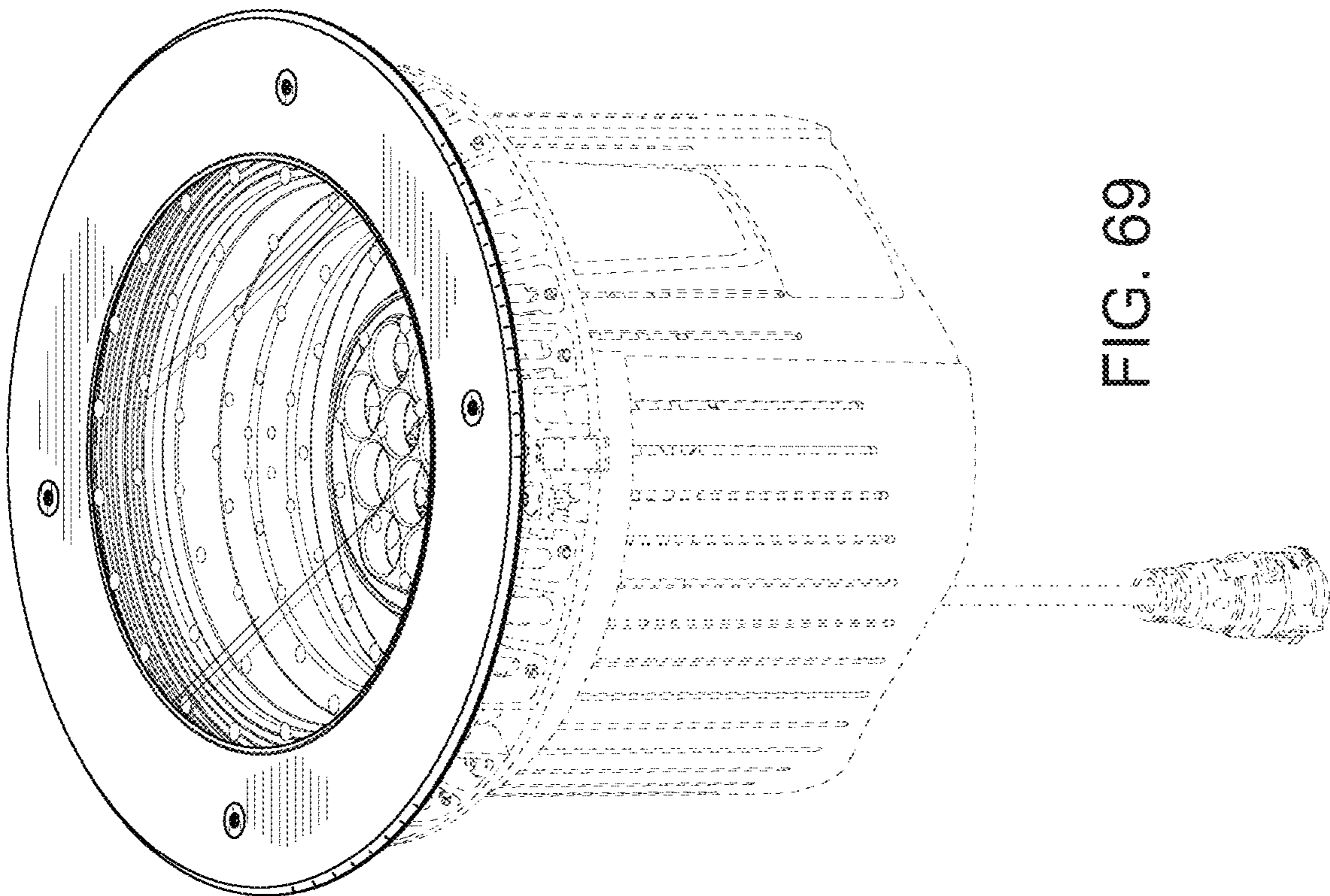


FIG. 69

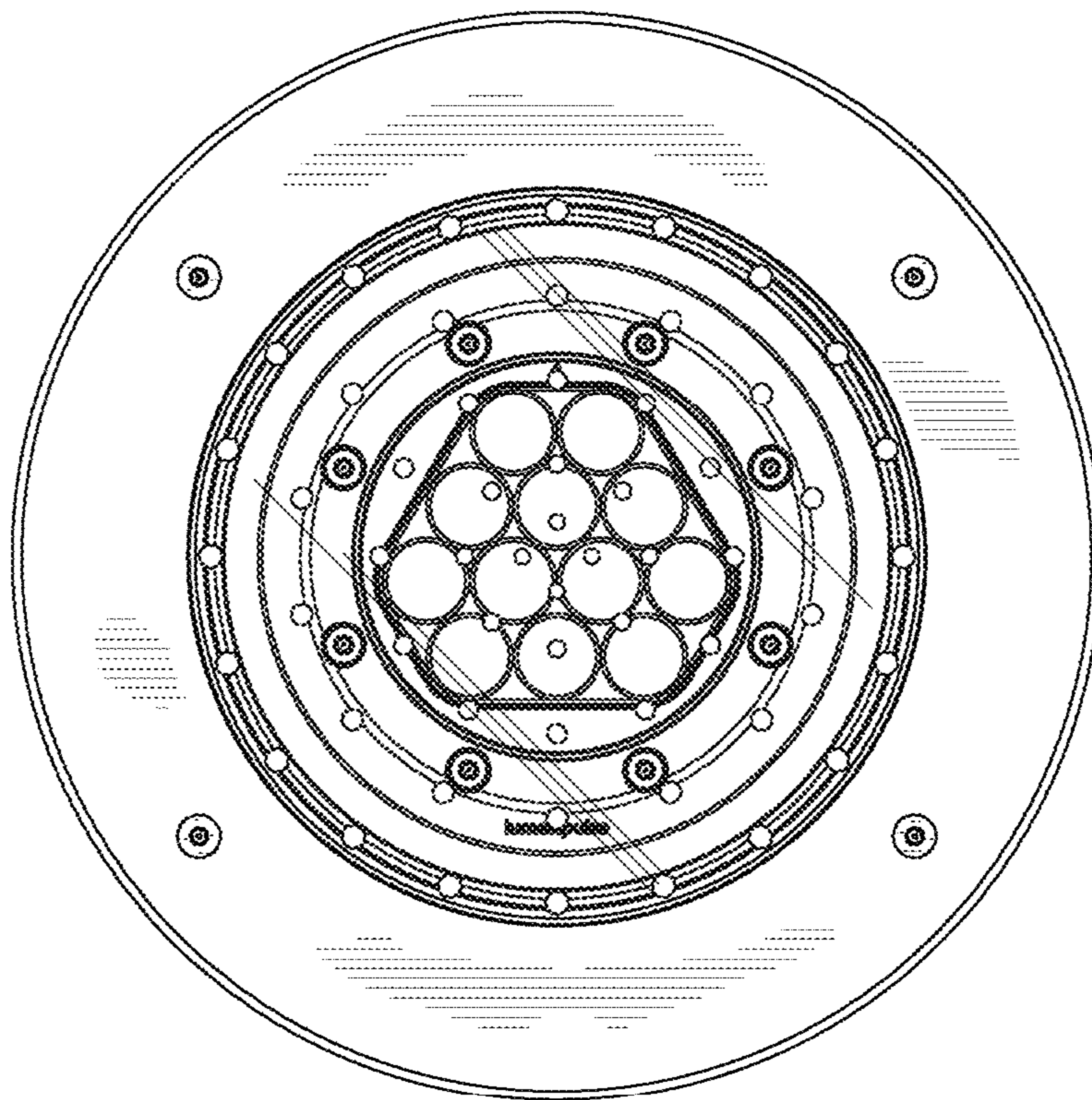


FIG. 71

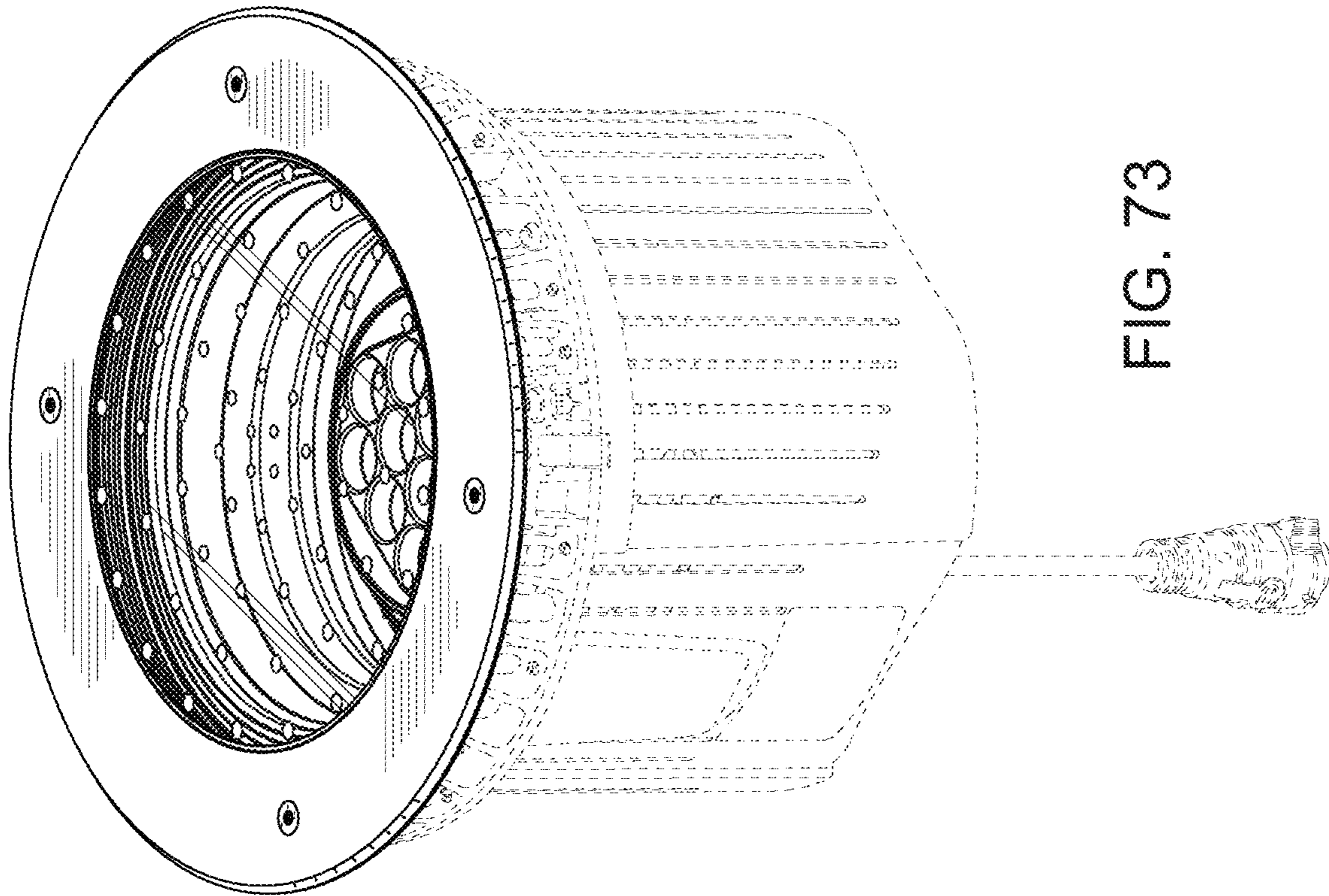


FIG. 73

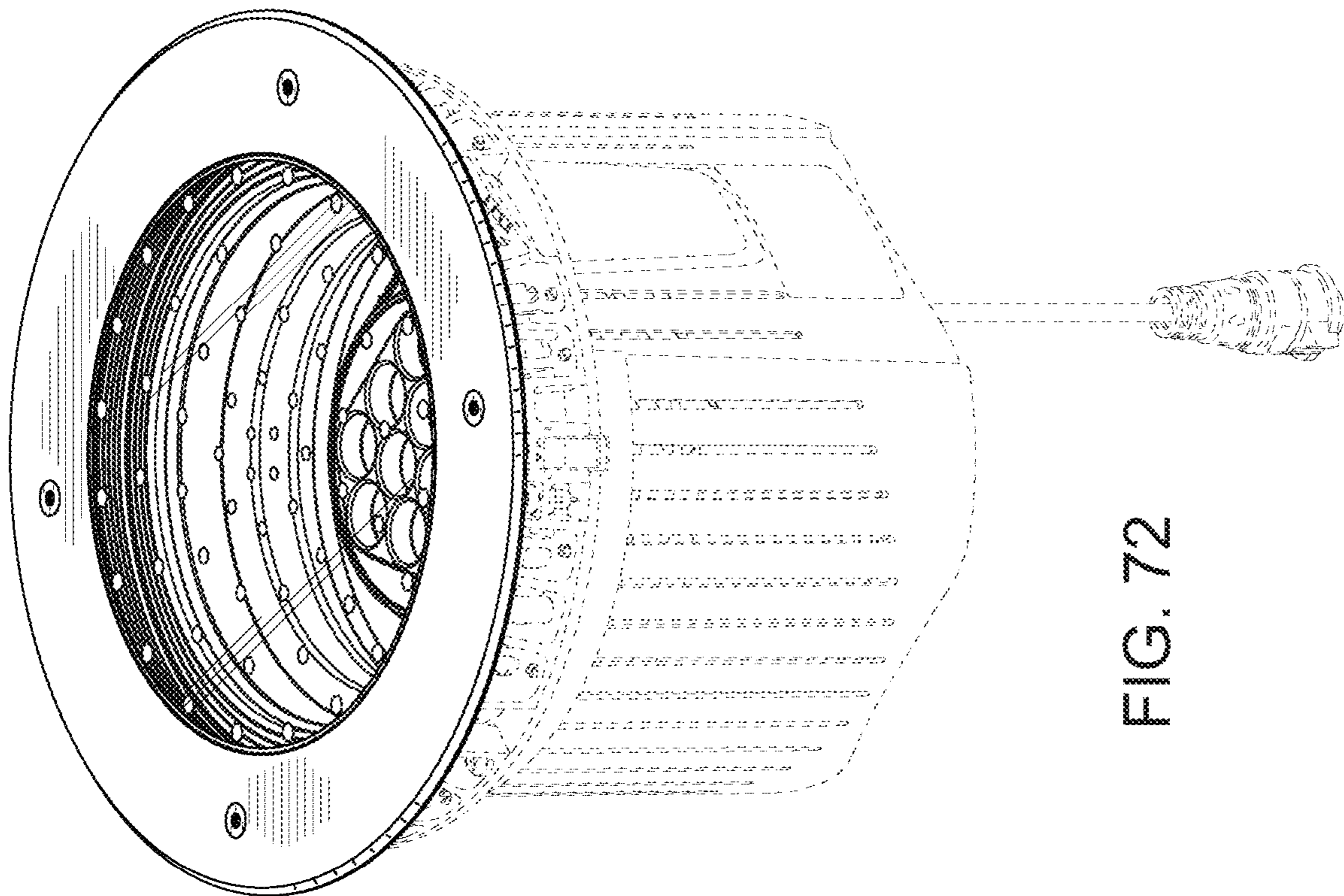


FIG. 72

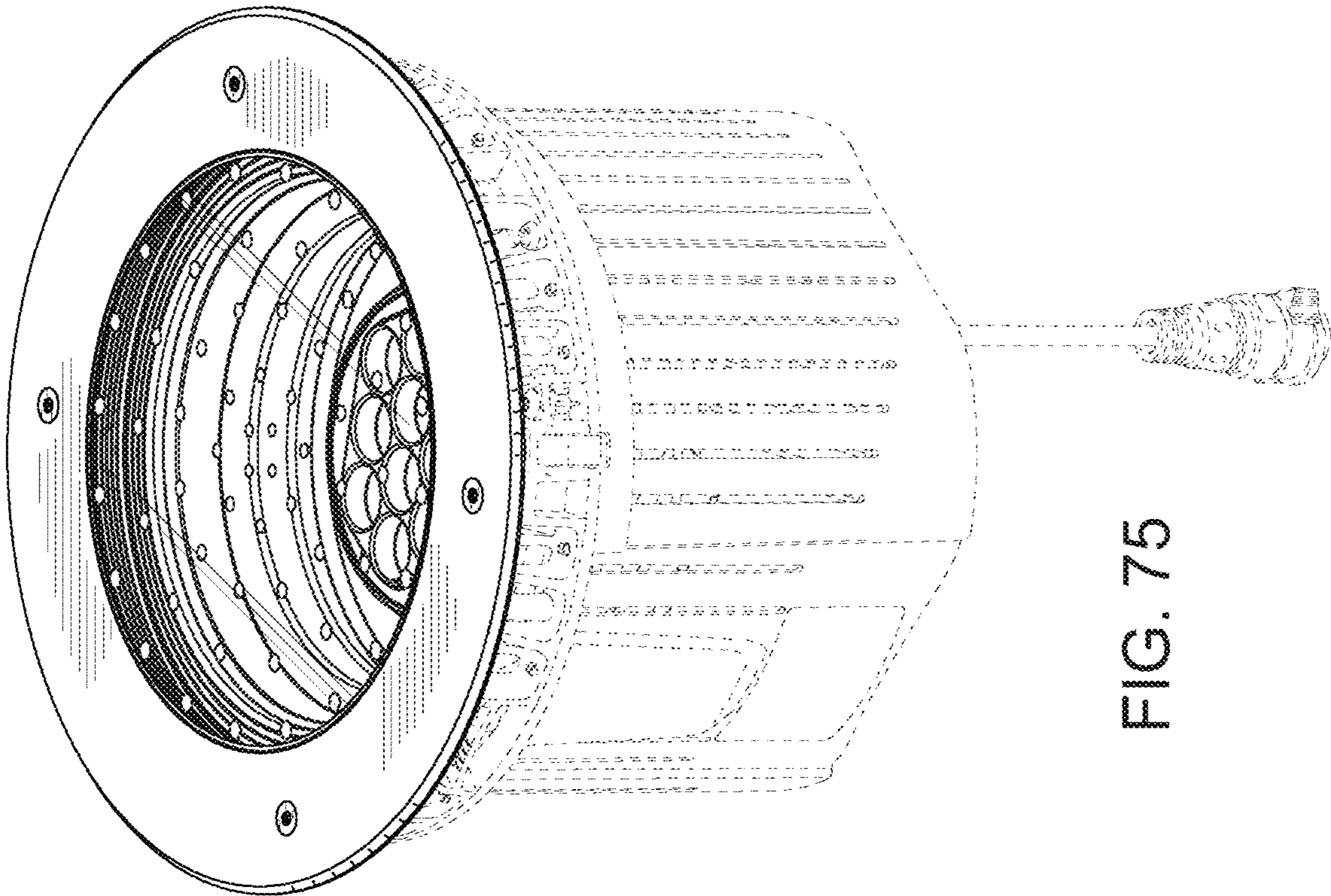


FIG. 75

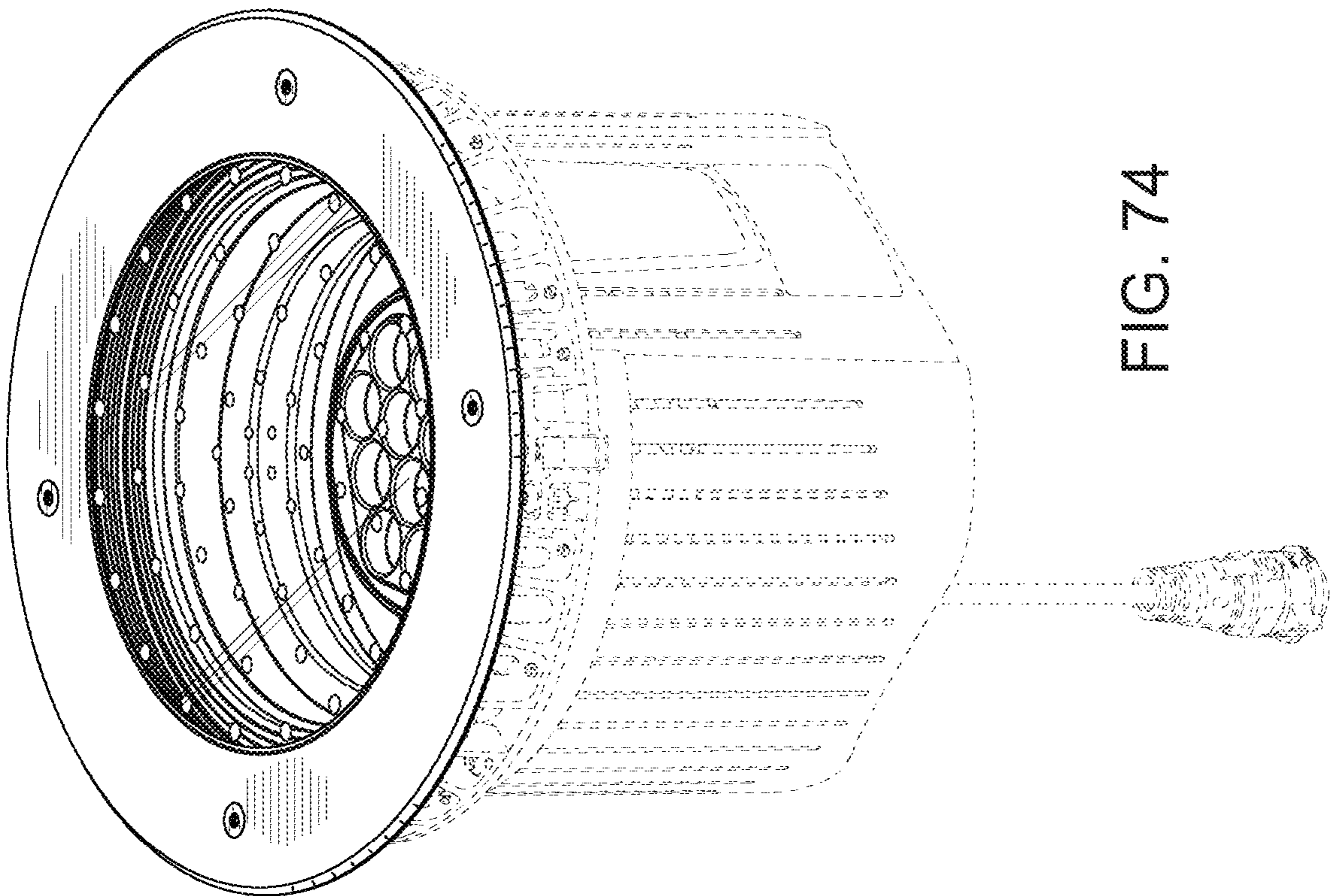


FIG. 74



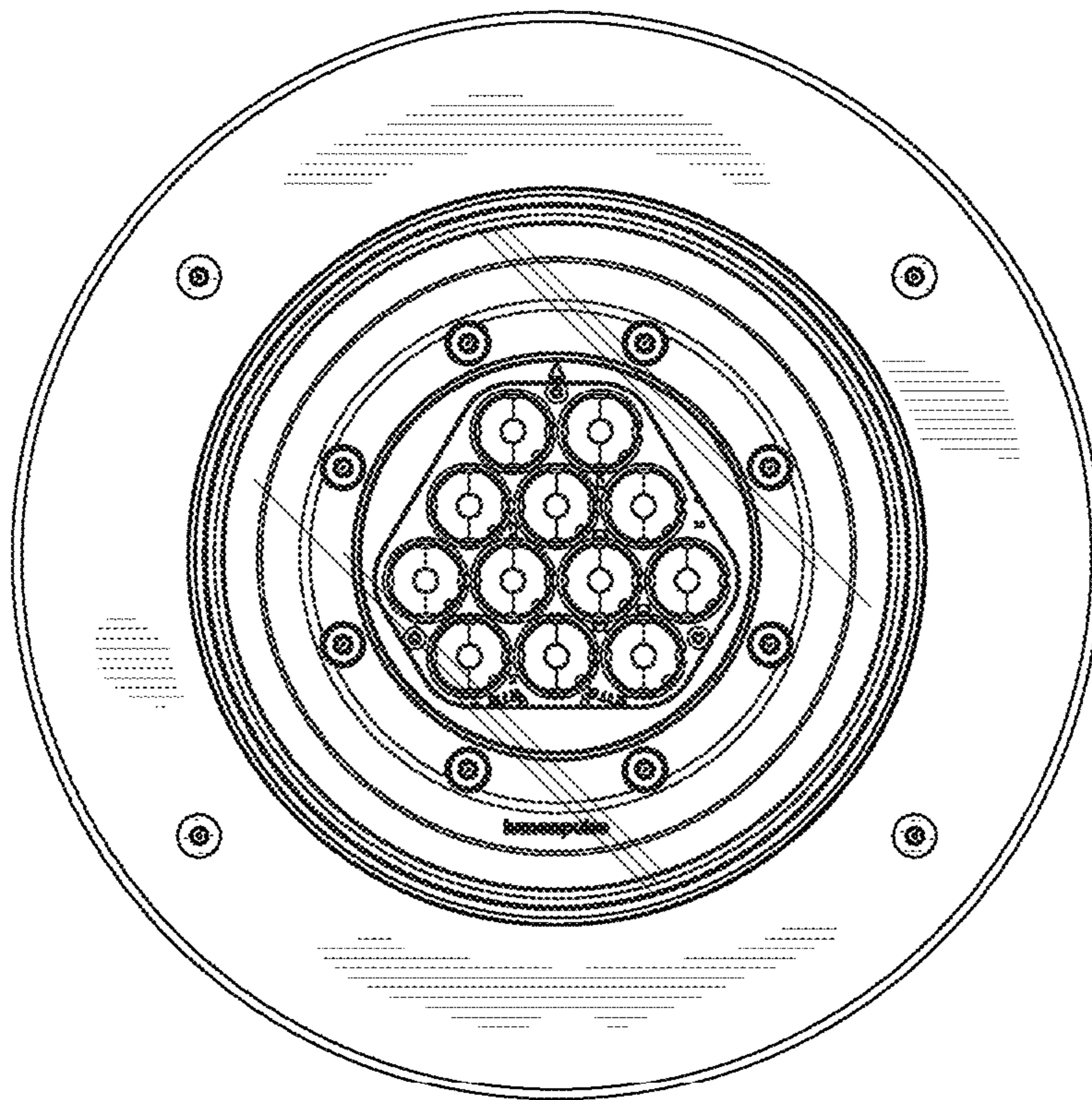


FIG. 76

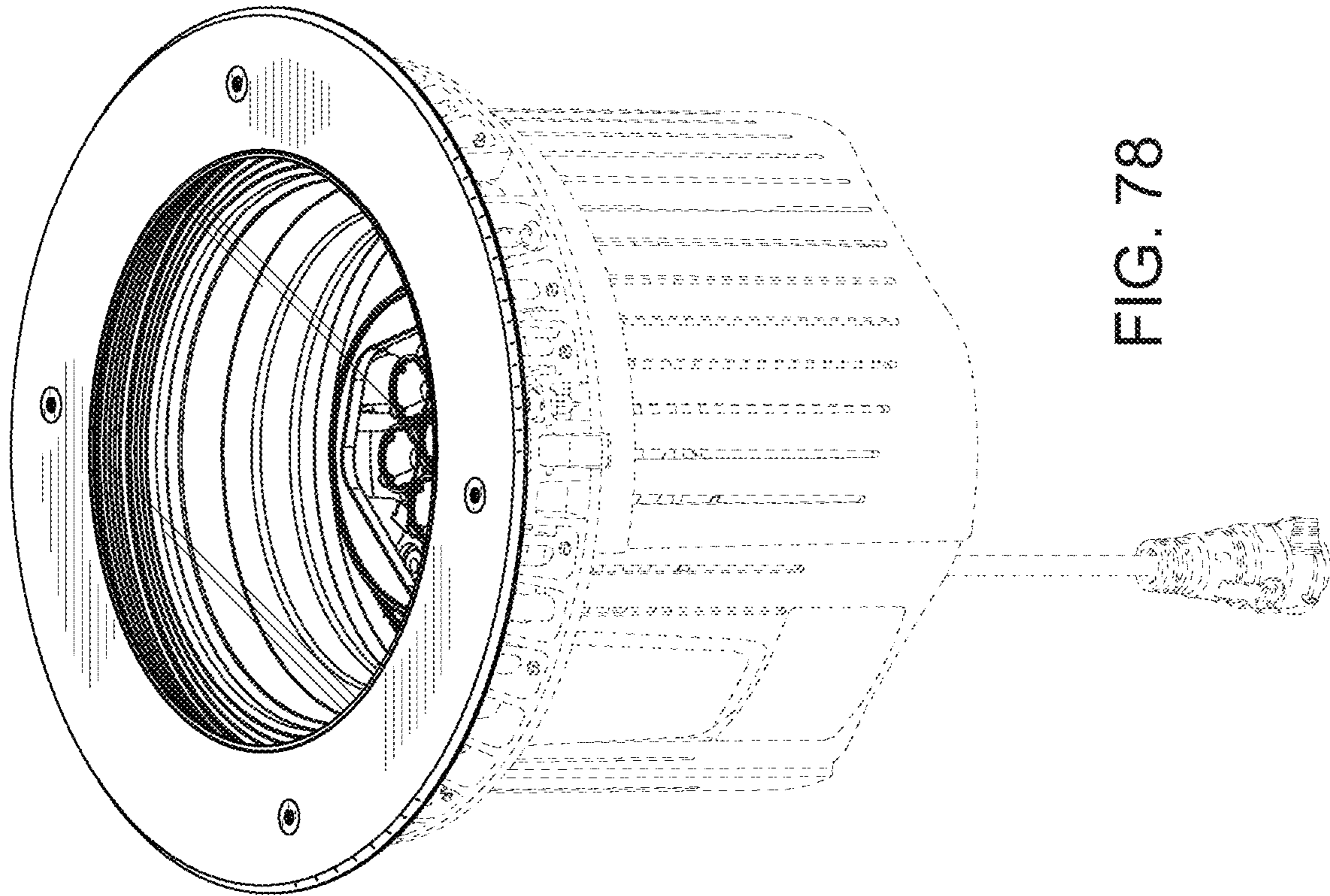


FIG. 78

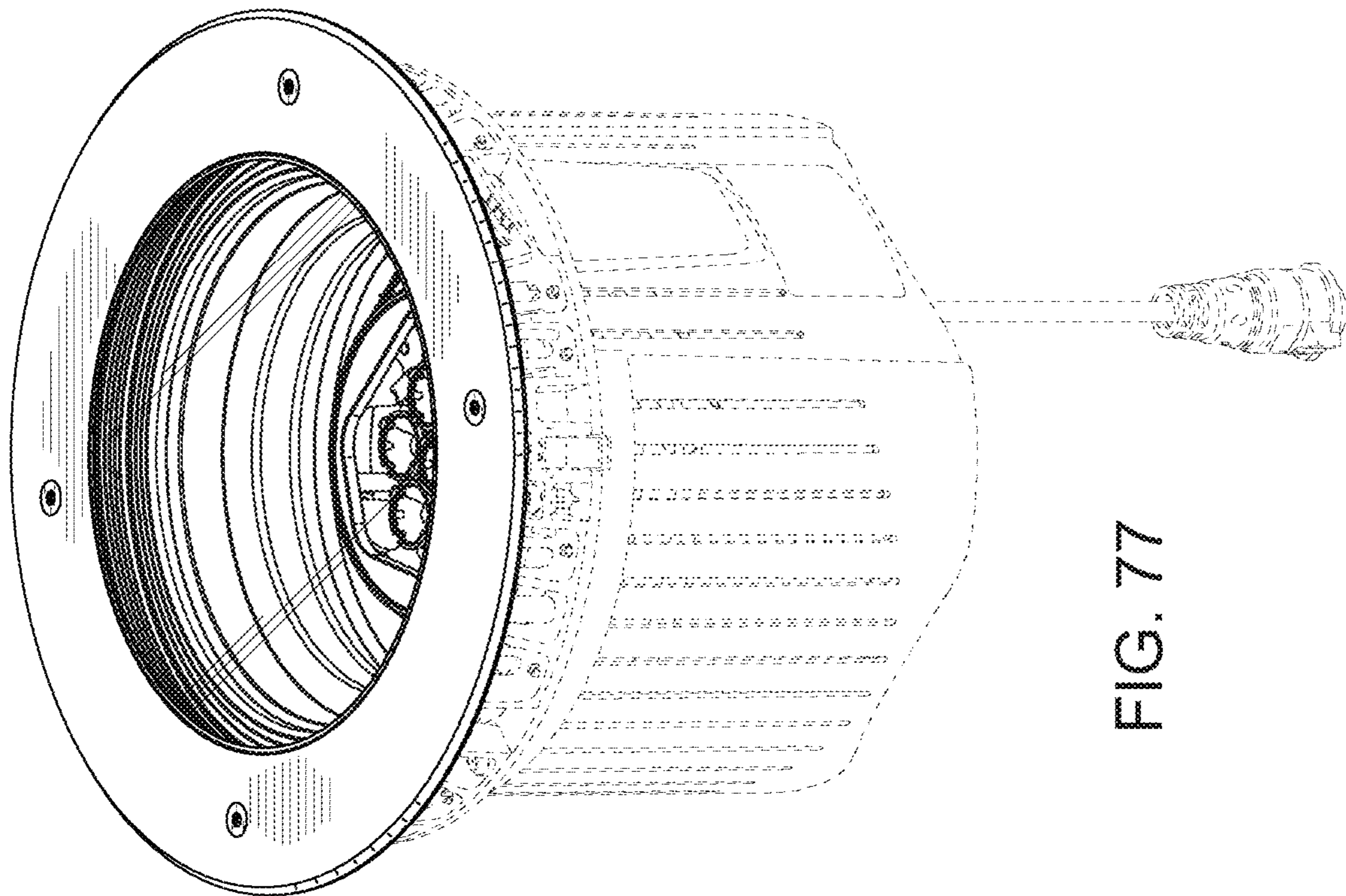


FIG. 77

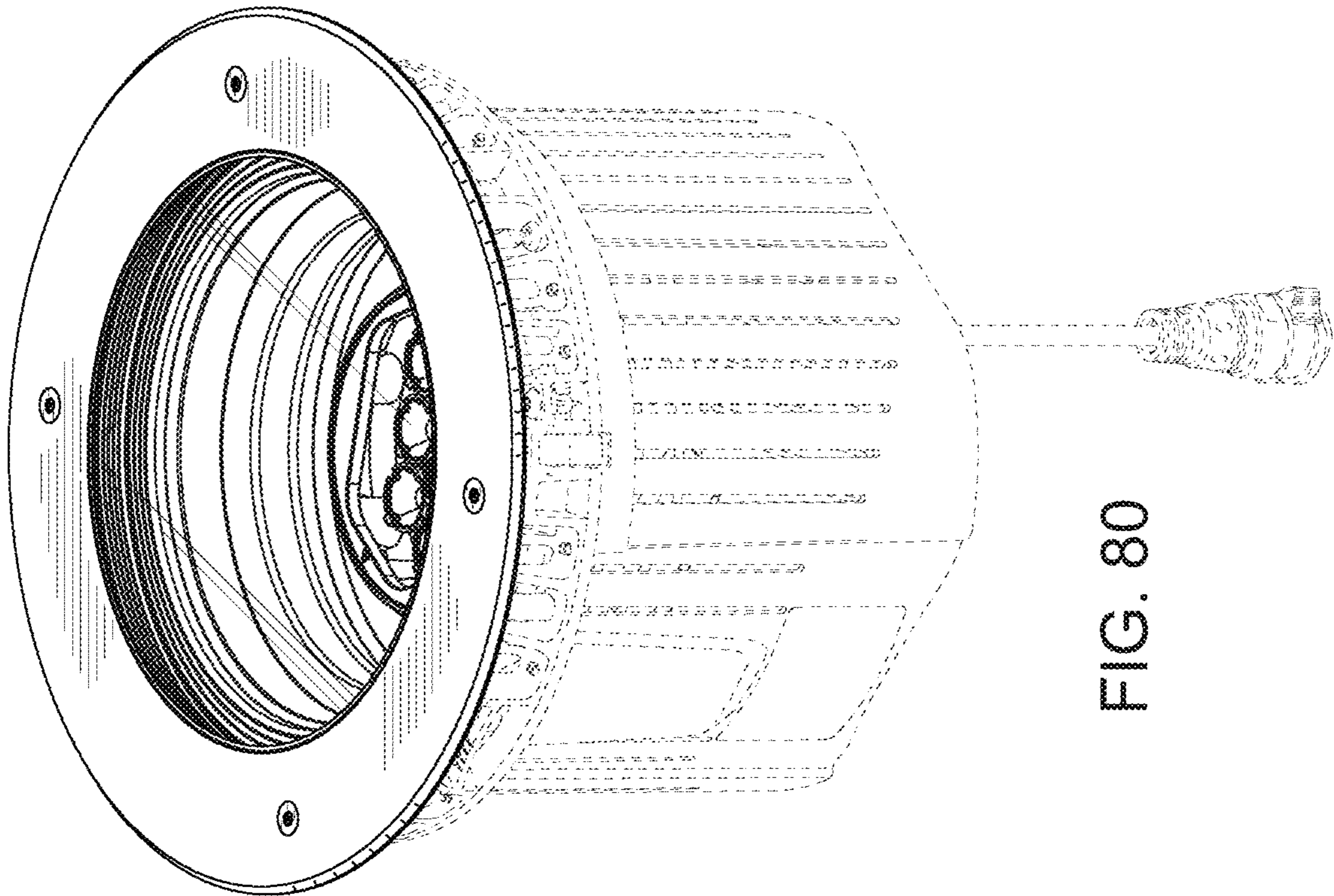


FIG. 79

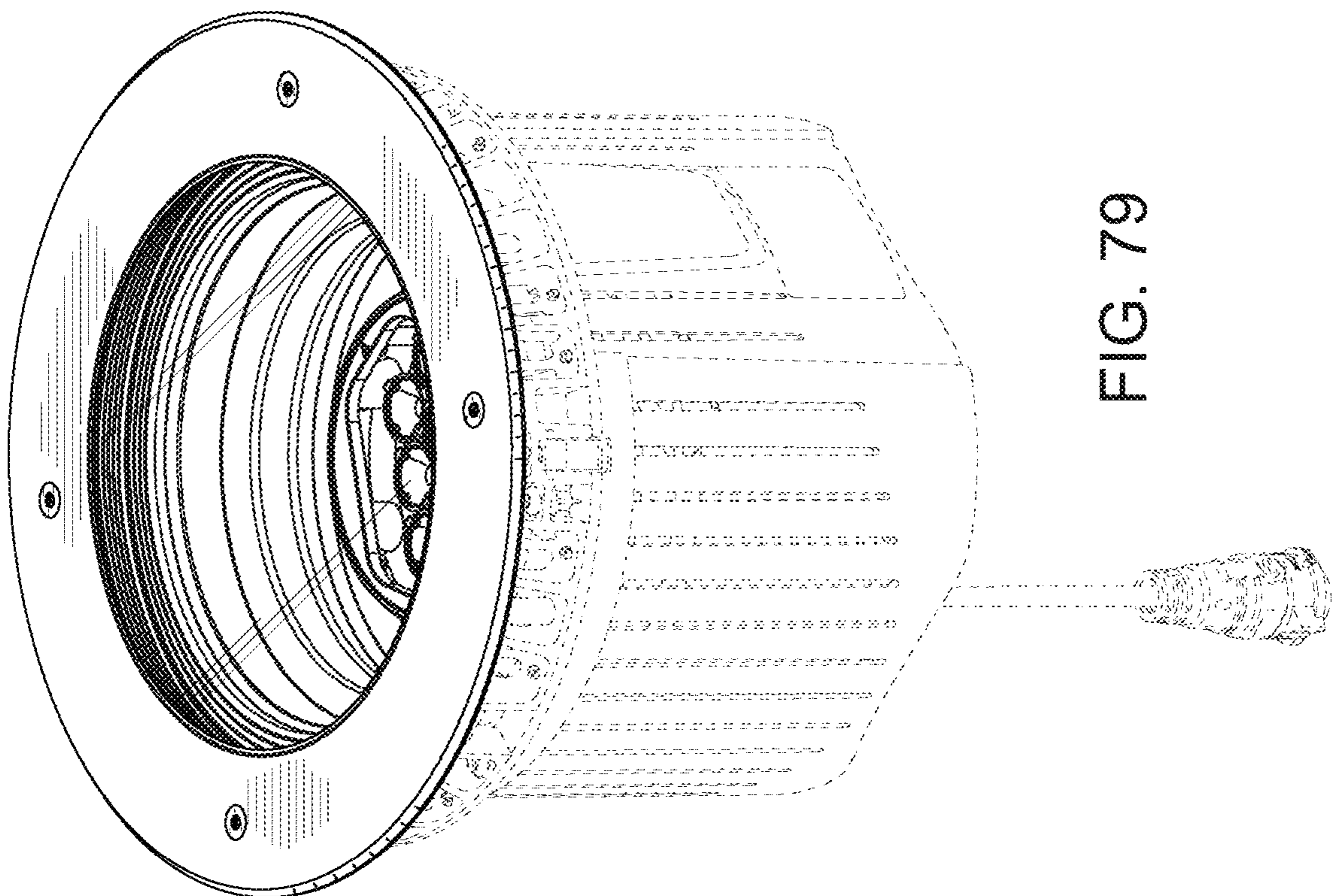


FIG. 80

UNITED STATES PATENT AND TRADEMARK OFFICE  
**CERTIFICATE OF CORRECTION**

PATENT NO. : D933,277 S  
APPLICATION NO. : 29/665558  
DATED : October 12, 2021  
INVENTOR(S) : Felix Gauthier

Page 1 of 1

It is certified that error appears in the above-identified patent and that said Letters Patent is hereby corrected as shown below:

On the Title Page

Item (73):

“LMP G Inc., Longueuil (CA)”

Should read:

-- “LMPG Inc., Longueuil (CA)” --

Signed and Sealed this  
Twenty-third Day of November, 2021



Drew Hirshfeld  
*Performing the Functions and Duties of the  
Under Secretary of Commerce for Intellectual Property and  
Director of the United States Patent and Trademark Office*