



US00D933275S

(12) **United States Design Patent**
Yan

(10) **Patent No.:** **US D933,275 S**

(45) **Date of Patent:** **** Oct. 12, 2021**

(54) **FLASHLIGHT**

(71) Applicant: **Wuzhong Yan**, Shenzhen (CN)

(72) Inventor: **Wuzhong Yan**, Shenzhen (CN)

(**) Term: **15 Years**

(21) Appl. No.: **29/716,387**

(22) Filed: **Dec. 9, 2019**

(51) **LOC (13) Cl.** **26-02**

(52) **U.S. Cl.**

USPC **D26/49**

CPC **F21L 4/02** (2013.01)

(58) **Field of Classification Search**

USPC D26/37-51

CPC F21L 15/00-15/14; F21L 2001/00; F21L 2003/00; F21L 2005/00; F21L 25/00; F21L 14/02; F21L 19/00; F21L 2/00; F21L 4/00-4/085

See application file for complete search history.

(56) **References Cited**

U.S. PATENT DOCUMENTS

D698,961 S *	2/2014	Dalton	D26/49
D745,987 S *	12/2015	Nawaz	D26/38
D767,805 S *	9/2016	Son	D26/49
D785,842 S *	5/2017	Huang	D26/49
D786,466 S *	5/2017	Prieto	D26/49
D814,088 S *	3/2018	Cao	D26/49
D844,874 S *	4/2019	Eichelberger	D26/49
D846,782 S *	4/2019	Huang	D26/49

D865,250 S *	10/2019	Qiu	D26/49
D877,380 S *	3/2020	Le	D26/49
D881,432 S *	4/2020	Windom	D26/49
D882,138 S *	4/2020	Bao	D26/49
D889,011 S *	6/2020	Hong	D26/49
D895,183 S *	9/2020	Qiu	D26/49
D897,578 S *	9/2020	Le	D26/37
D897,579 S *	9/2020	Le	D26/37
D897,580 S *	9/2020	Qiu	D26/49
D897,581 S *	9/2020	Qiu	D26/49
D898,966 S *	10/2020	Qiu	D26/49
D899,646 S *	10/2020	Shan	D26/49
D899,647 S *	10/2020	Shan	D26/49
D900,368 S *	10/2020	Petrucelli	D26/49

* cited by examiner

Primary Examiner — Richard E Chilcot

(57) **CLAIM**

I claim the ornamental design for a flashlight, as shown and described.

DESCRIPTION

FIG. 1 is a front elevational view of a flashlight showing my new design;

FIG. 2 is a rear elevational view thereof;

FIG. 3 is a left side elevational view thereof;

FIG. 4 is a right side elevational view thereof;

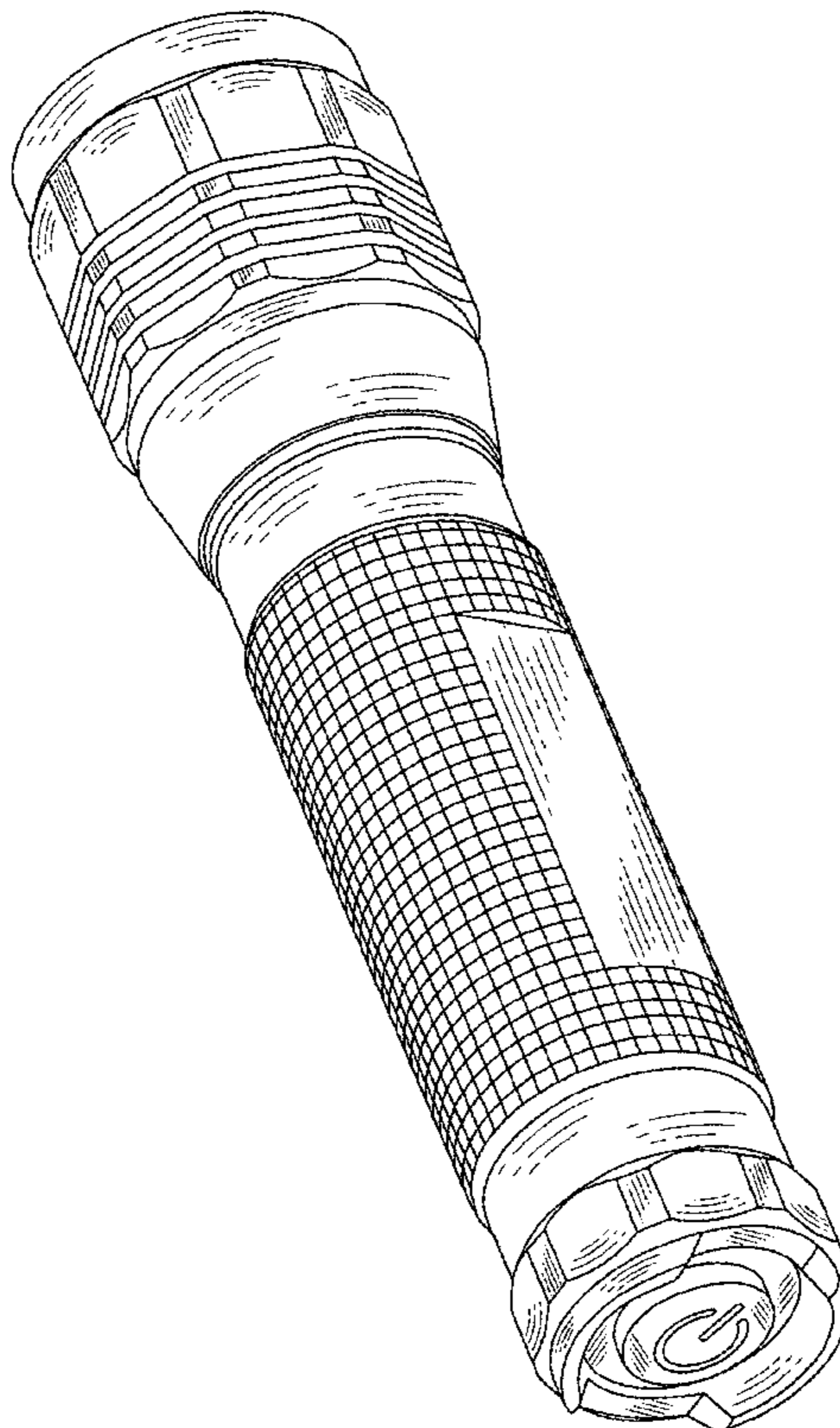
FIG. 5 is a top plan view thereof;

FIG. 6 is a bottom plan view thereof; and,

FIG. 7 is a perspective view thereof.

The broken lines show portions of the flashlight which form no part of the claimed design.

1 Claim, 7 Drawing Sheets



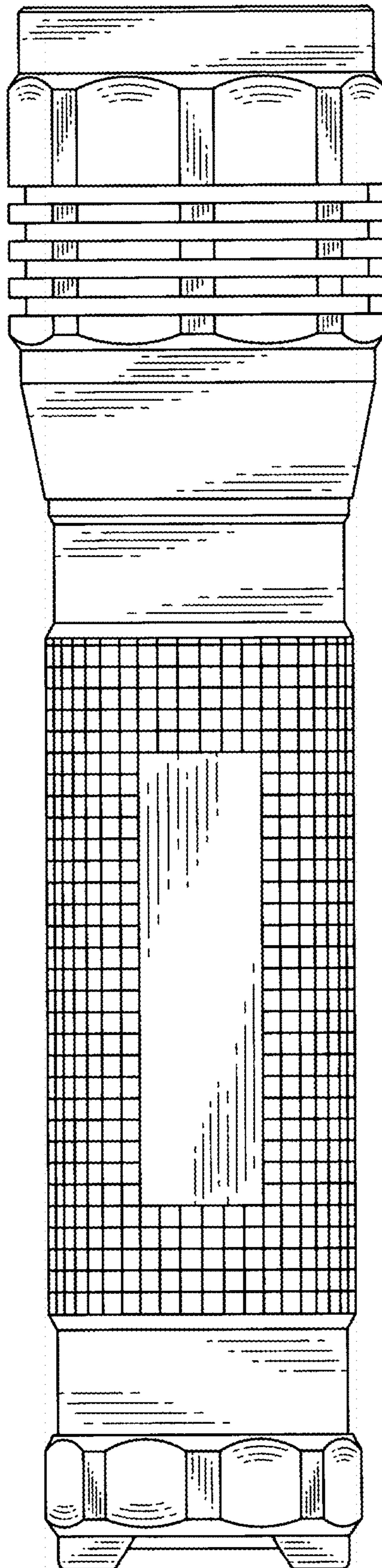


FIG. 1

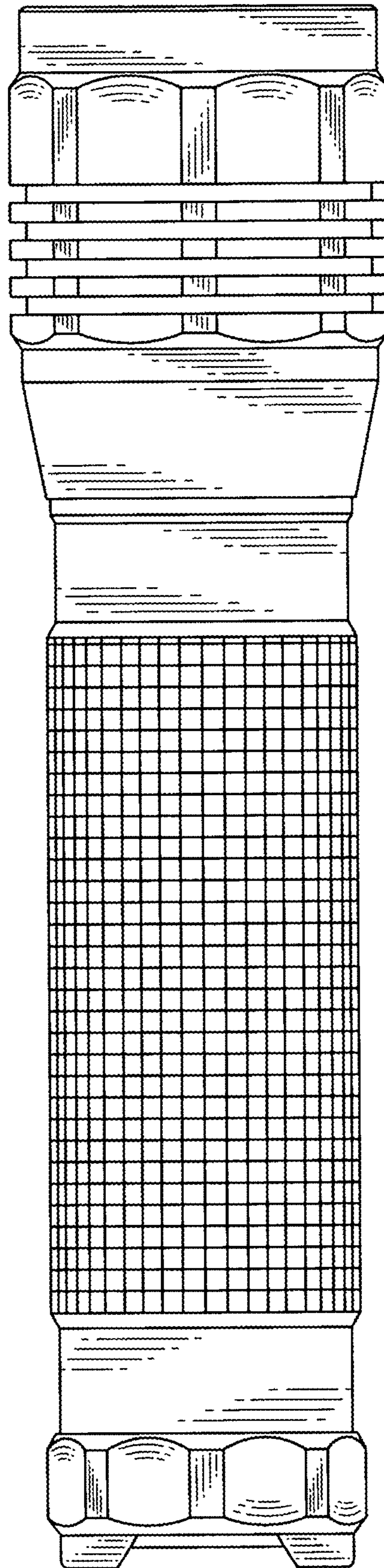


FIG. 2

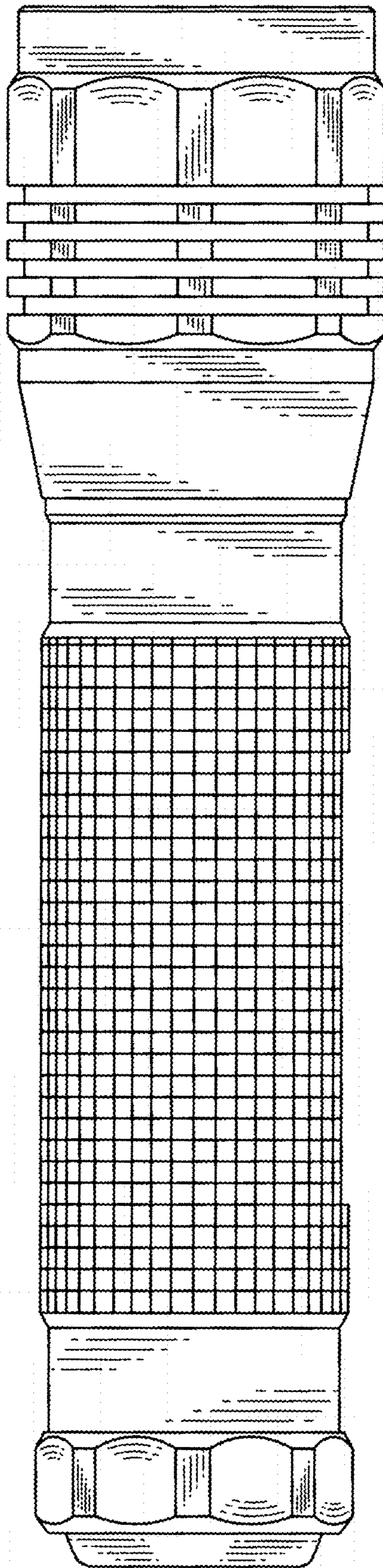


FIG. 4

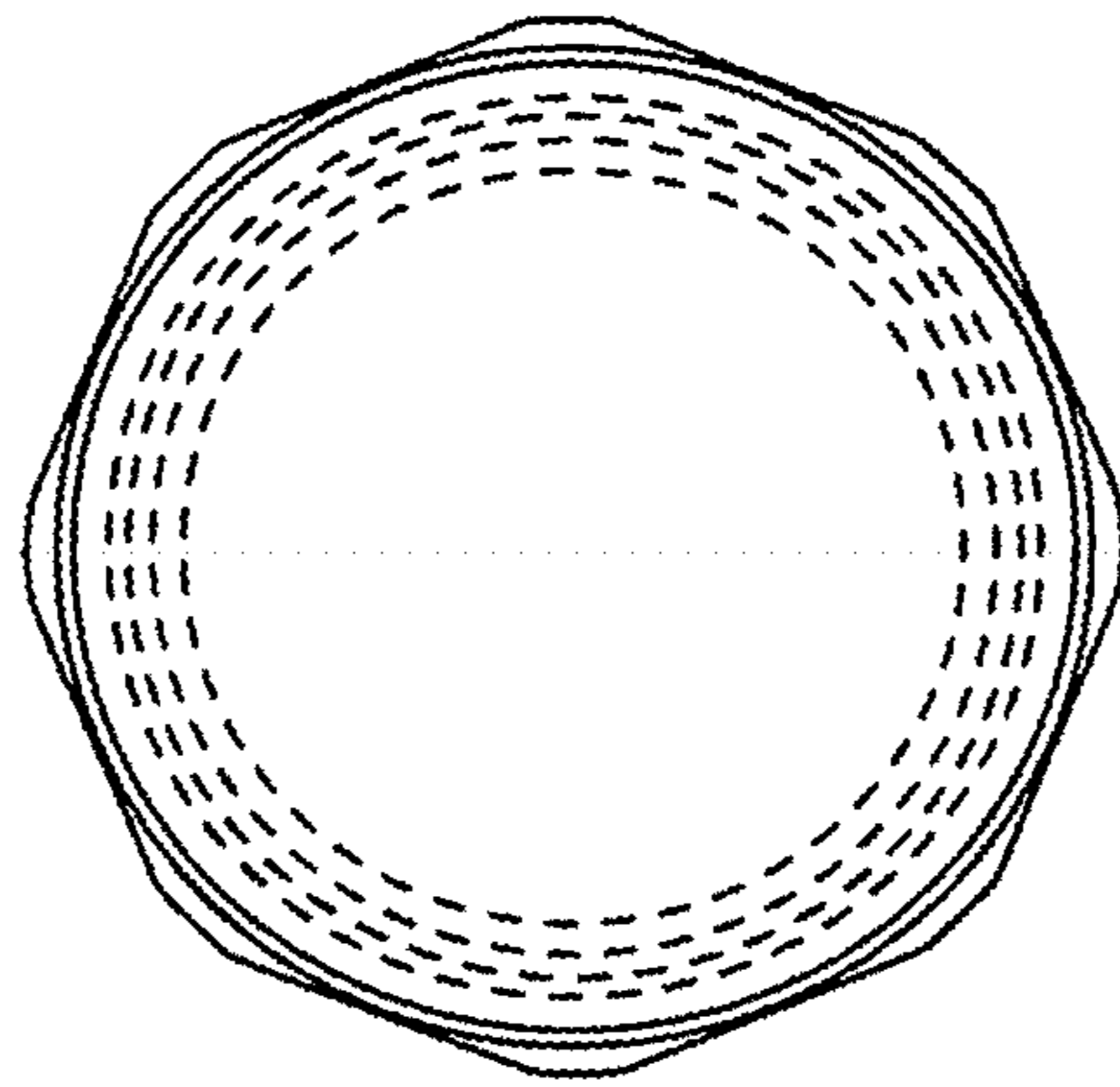


FIG. 5

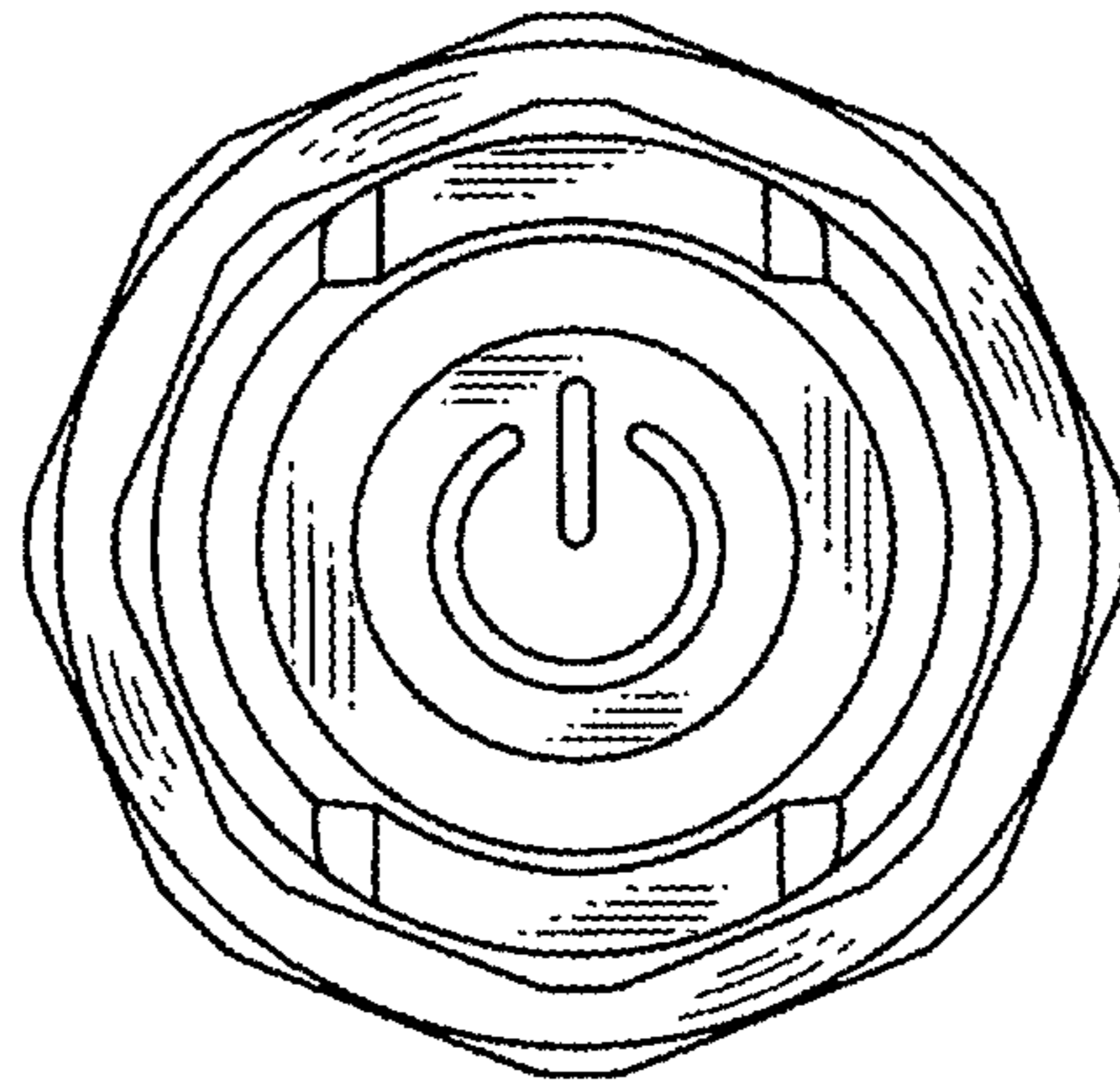


FIG. 6

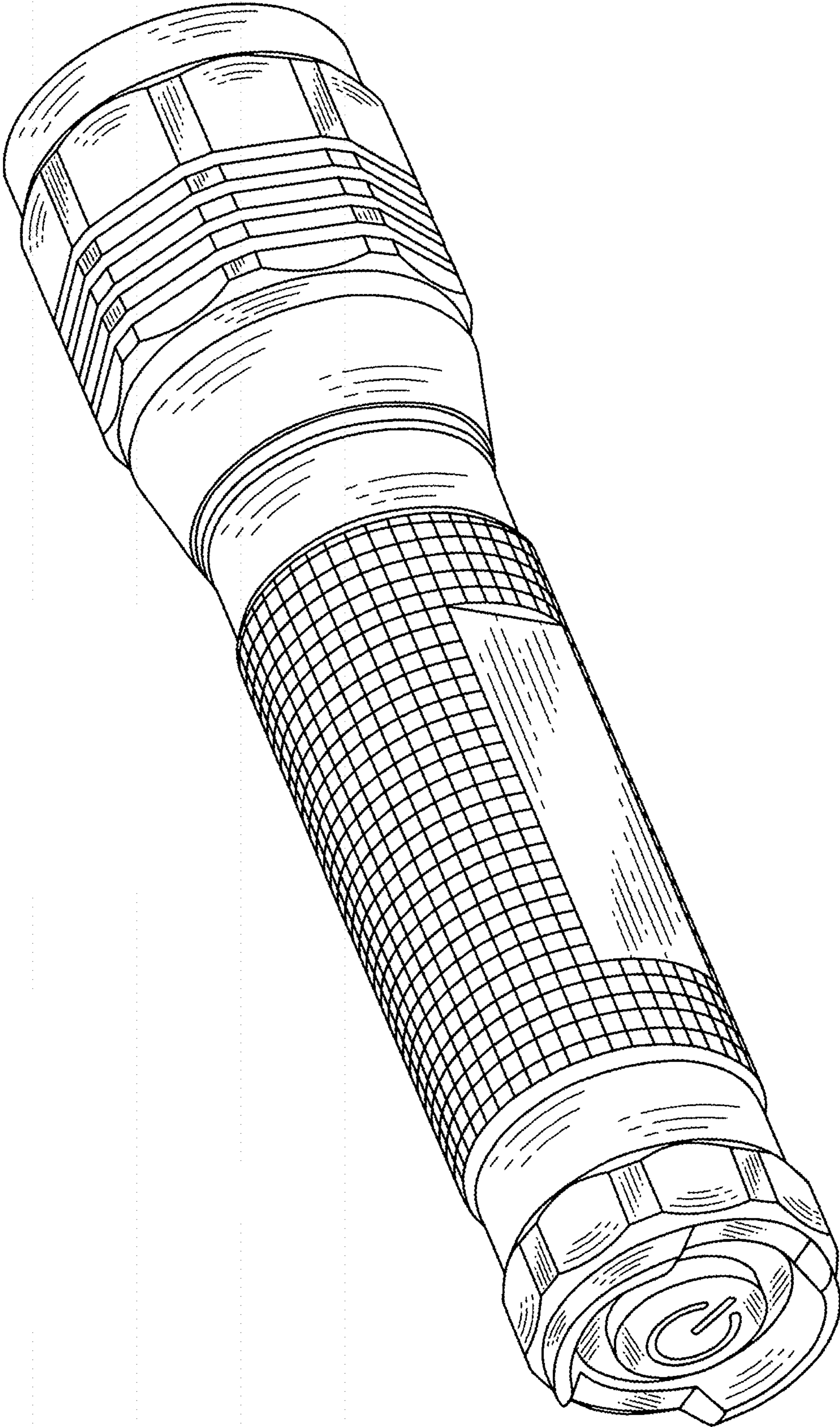


FIG. 7