



US00D933274S

(12) **United States Design Patent** (10) **Patent No.:** **US D933,274 S**  
**Davidson et al.** (45) **Date of Patent:** **\*\* Oct. 12, 2021**

(54) **PORTABLE LIGHT**  
(71) Applicant: **Knog Pty Ltd**, Richmond (AU)  
(72) Inventors: **Hugo Davidson**, Richmond (AU);  
**Malcolm McKechnie**, Richmond (AU);  
**Michael Westwood**, Richmond (AU);  
**Christopher Bilanenko**, Richmond  
(AU); **Anton Van Maanen**, Richmond  
(AU); **Timothy Besley**, Richmond (AU)  
(73) Assignee: **Knog Pty Ltd**, Richmond (AU)  
(\*\*) Term: **15 Years**  
(21) Appl. No.: **29/677,033**  
(22) Filed: **Jan. 16, 2019**

**Related U.S. Application Data**

(62) Division of application No. 29/601,173, filed on Apr. 19, 2017, now Pat. No. Des. 842,517.

**Foreign Application Priority Data**

(30) Oct. 19, 2016 (AU) ..... 201615910  
(51) **LOC (13) Cl.** ..... **26-02**  
(52) **U.S. Cl.**  
USPC ..... **D26/49**  
(58) **Field of Classification Search**  
USPC ..... D26/24, 26, 28, 37-52, 56, 60-61, 113,  
D26/118-119, 138, 140-142  
CPC . F21L 4/005; F21L 4/027; F21L 4/085; F21L  
4/08; F21L 4/00; F21L 4/045; F21L 4/02;  
F21L 4/022; F21L 4/025; F21L 4/04;  
F21L 13/00; F21L 14/02; F21L 2/00;  
F21L

(Continued)

(56) **References Cited**  
U.S. PATENT DOCUMENTS  
4,968,034 A \* 11/1990 Hsieh ..... F21V 33/0076  
231/7  
D501,055 S \* 1/2005 Packard ..... D26/37  
(Continued)

FOREIGN PATENT DOCUMENTS  
CN 201430229242 \* 12/2014  
CN 201930659892.X \* 4/2020  
(Continued)

OTHER PUBLICATIONS  
Knog PWR Lights Review. By Matt Wikstrom. Dated Aug. 21, 2017. Found online [May 4, 2021], <https://cyclingtips.com/2017/08/knog-pwr-lights-review/> (Year: 2017).\*

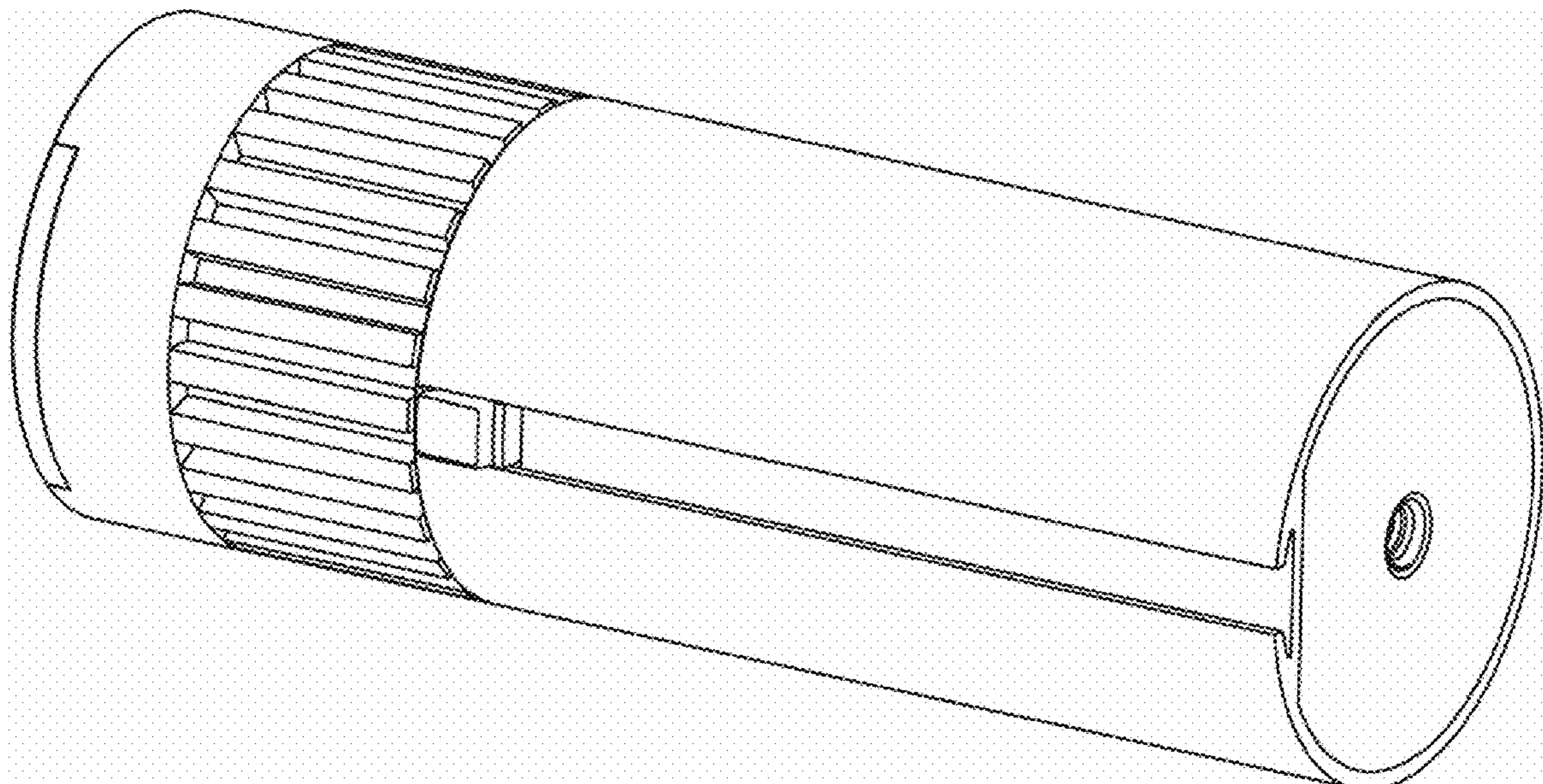
*Primary Examiner* — Marissa J Cash  
*Assistant Examiner* — William B Melliar  
(74) *Attorney, Agent, or Firm* — Christensen O'Connor  
Johnson Kindness PLLC

(57) **CLAIM**  
The ornamental design for the portable light, as shown.

**DESCRIPTION**

FIG. 1 is a front right perspective view of a portable light according to the present design;  
FIG. 2 is a rear right perspective view of the portable light shown in FIG. 1;  
FIG. 3 is a front view of the portable light shown in FIG. 1;  
FIG. 4 is a rear view of the portable light shown in FIG. 1;  
FIG. 5 is a right side view of the portable light shown in FIG. 1;  
FIG. 6 is a left side view of the portable light shown in FIG. 1; and,  
FIG. 7 is a top view of the portable light shown in FIG. 1.

**1 Claim, 2 Drawing Sheets**



(58) **Field of Classification Search**

CPC ..... 14/00; F21L 14/04; F21Y 2115/10; F21Y 2115/30; F21Y 2113/00; F21Y 2113/13; F21Y 2103/10; F21Y 2103/33; F21Y 2105/12; F21Y 2105/18; F21Y 2107/20; F21V 21/145; F21V 21/0965; F21V 23/0414; F21V 23/0428; F21V 15/01; F21V 21/22; F21V 21/26; F21V 21/08; F21V 23/0407; F21V 21/0832; F21V 21/0885; F21V 23/002; F21V 23/06; F21V 5/006; F21V 7/0075; F21V 21/02; F21V 21/06; F21V 23/04; F21V 23/0421; F21V 23/0435; F21V 7/0091; F21V 13/04; F21V 14/00; F21V 17/002; F21V 21/29; F21V 21/406; F21V 29/70; F21V 31/005; F21V 5/04; F21V 13/045; F21V 14/065; F21V 15/04; F21V 17/02; F21V 19/0015; F21V 19/0035; F21V 19/004; F21V 19/02; F21V 21/16; F21V 23/00; F21V 23/0442; F21V 23/0471; F21V 9/083; F21V 11/10; F21V 14/025; F21V 14/045; F21V 14/085; F21V 15/012; F21V 15/013; F21V 17/007; F21V 17/107; F21V 1/00; F21V 1/14; F21V 1/143; F21V 1/16; F21V 21/0808; F21V 21/0816; F21V 21/0824; F21V 21/084; F21V 21/088; F21V 21/092; F21V 21/096; F21V 21/24; F21V 21/30; F21V 21/40; F21V 23/009; F21V 23/023; F21V 23/0464; F21V 23/0492; F21V 25/12; F21V 27/02; F21V 29/503; F21V 29/505; F21V 29/507; F21V 29/763; F21V 29/83; F21V 29/89; F21V 33/00; F21V 33/0016; F21V 33/0076; F21V 3/00; F21V 3/02; F21V 3/06; F21V 3/061; F21V 5/002; F21V 5/008; F21V 5/043; F21V 5/045;

F21V 5/048; F21V 7/06; F21S 9/02; F21S 8/031; F21S 9/037; F21S 41/125; F21S 41/141; F21S 41/19; F21S 41/28; F21S 41/635; F21S 43/14; F21S 43/19; F21S 43/26; F21S 4/28; F21S 6/002; F21S 8/033; F21S 8/036; F21S 8/04; F21S 8/061; F21S 9/03

See application file for complete search history.

(56)

**References Cited**

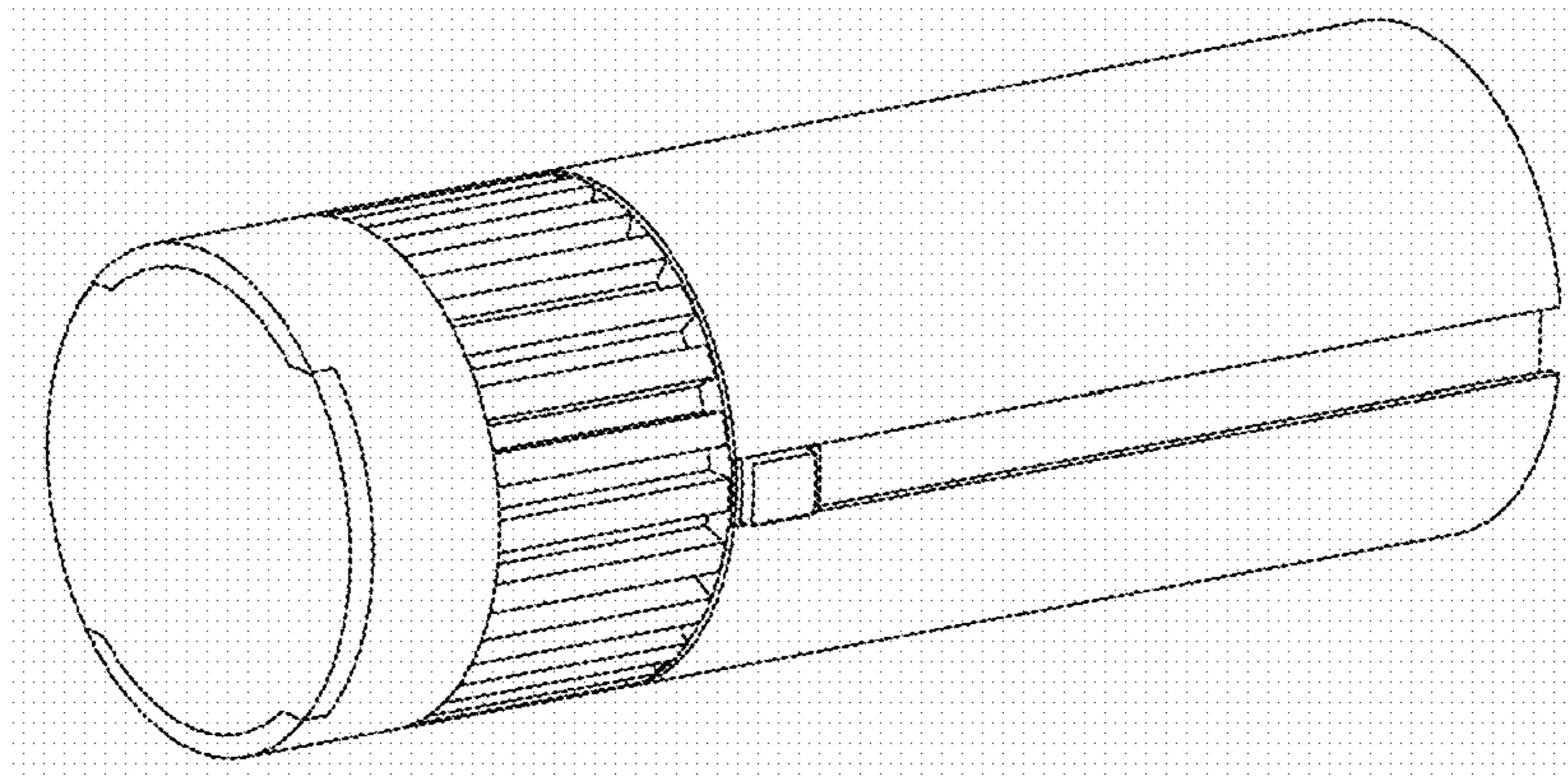
U.S. PATENT DOCUMENTS

D505,506	S	*	5/2005	Kolflat .....	D26/37
D523,981	S	*	6/2006	Galli .....	D26/37
D531,743	S		11/2006	Opolka	
D532,372	S	*	11/2006	Keating .....	D13/108
D532,745	S		11/2006	Gaber et al.	
D543,298	S	*	5/2007	Leung .....	D26/37
D576,324	S		9/2008	Wolff et al.	
D578,687	S	*	10/2008	Hong .....	D26/37
D598,374	S		8/2009	Sasada	
D645,816	S		9/2011	Sasada et al.	
D665,346	S		8/2012	Kumagai et al.	
D686,155	S	*	7/2013	Nguyen .....	D13/103
D744,681	S	*	12/2015	Breen .....	D26/49
D749,044	S		2/2016	Huang	
D765,898	S		9/2016	Caito et al.	
D772,455	S		11/2016	Chen	
D780,115	S	*	2/2017	Huang .....	D13/107
D804,082	S	*	11/2017	Boorom .....	D26/118
D842,517	S	*	3/2019	Davidson .....	D26/49
D855,852	S	*	8/2019	Wu .....	D26/49
D878,651	S	*	3/2020	Qiu .....	D26/49
D893,784	S	*	8/2020	Wu .....	D26/49

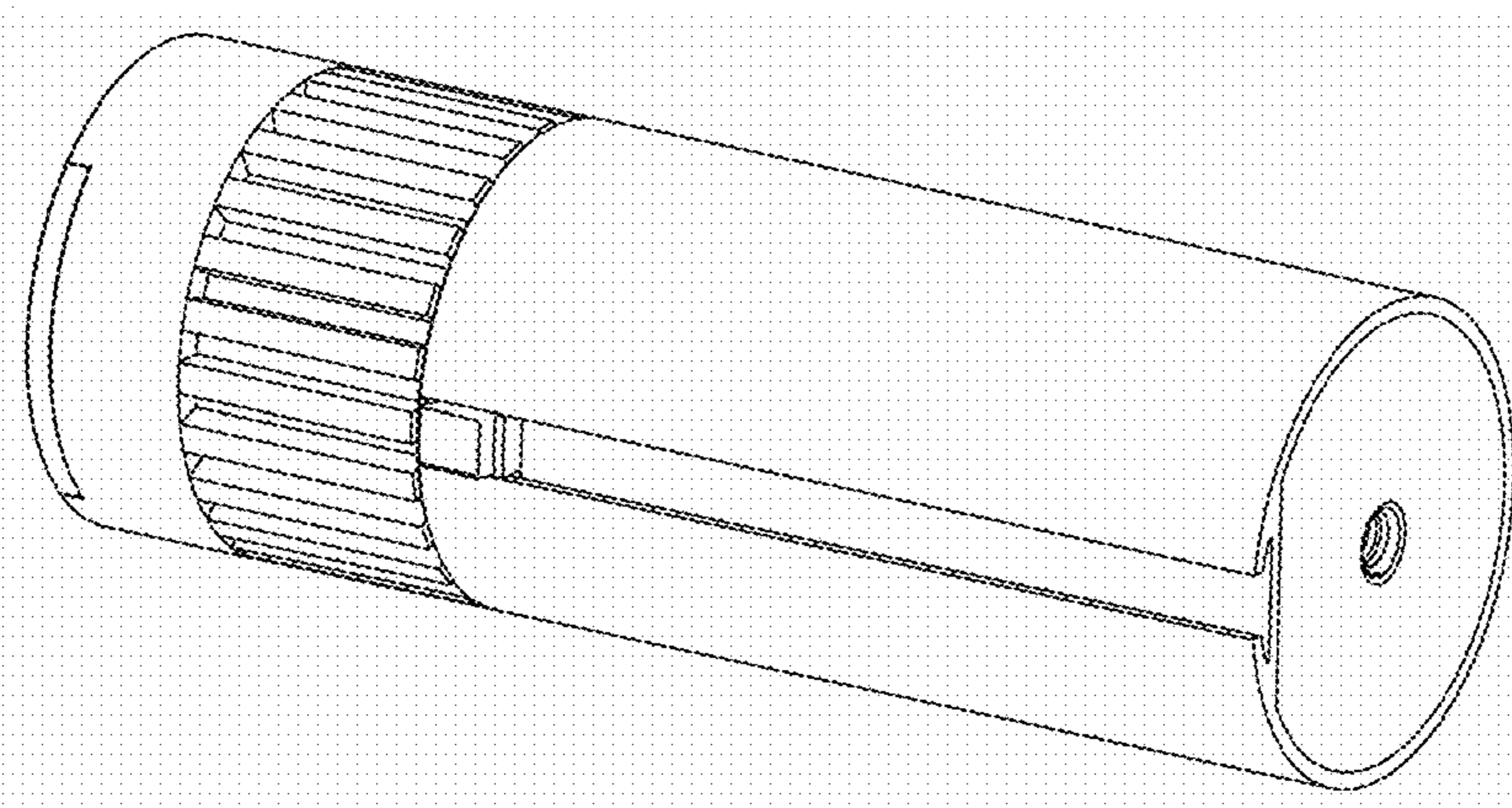
FOREIGN PATENT DOCUMENTS

CN	202030537121.6	*	3/2021
CN	202030680676.6	*	3/2021

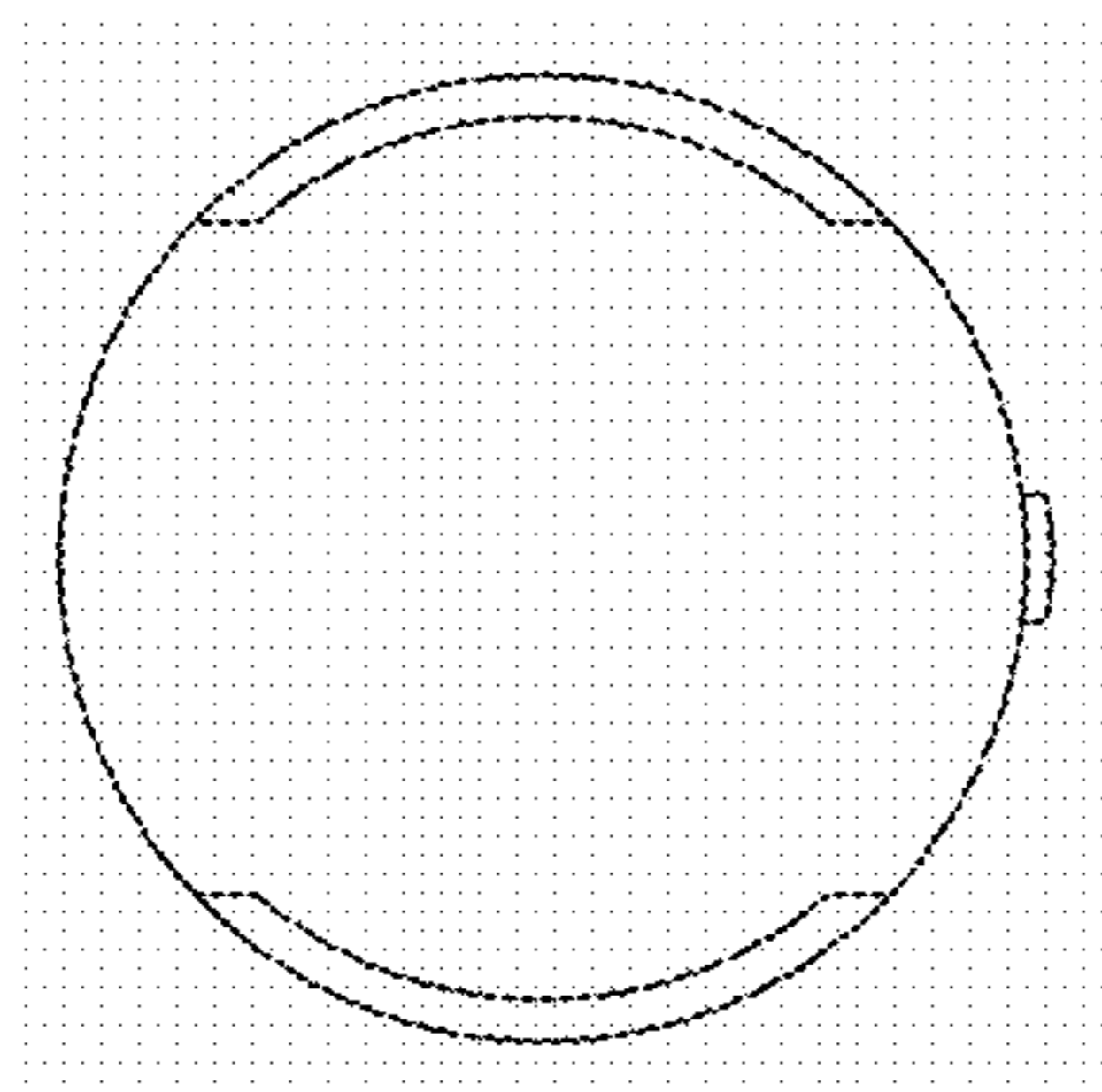
\* cited by examiner



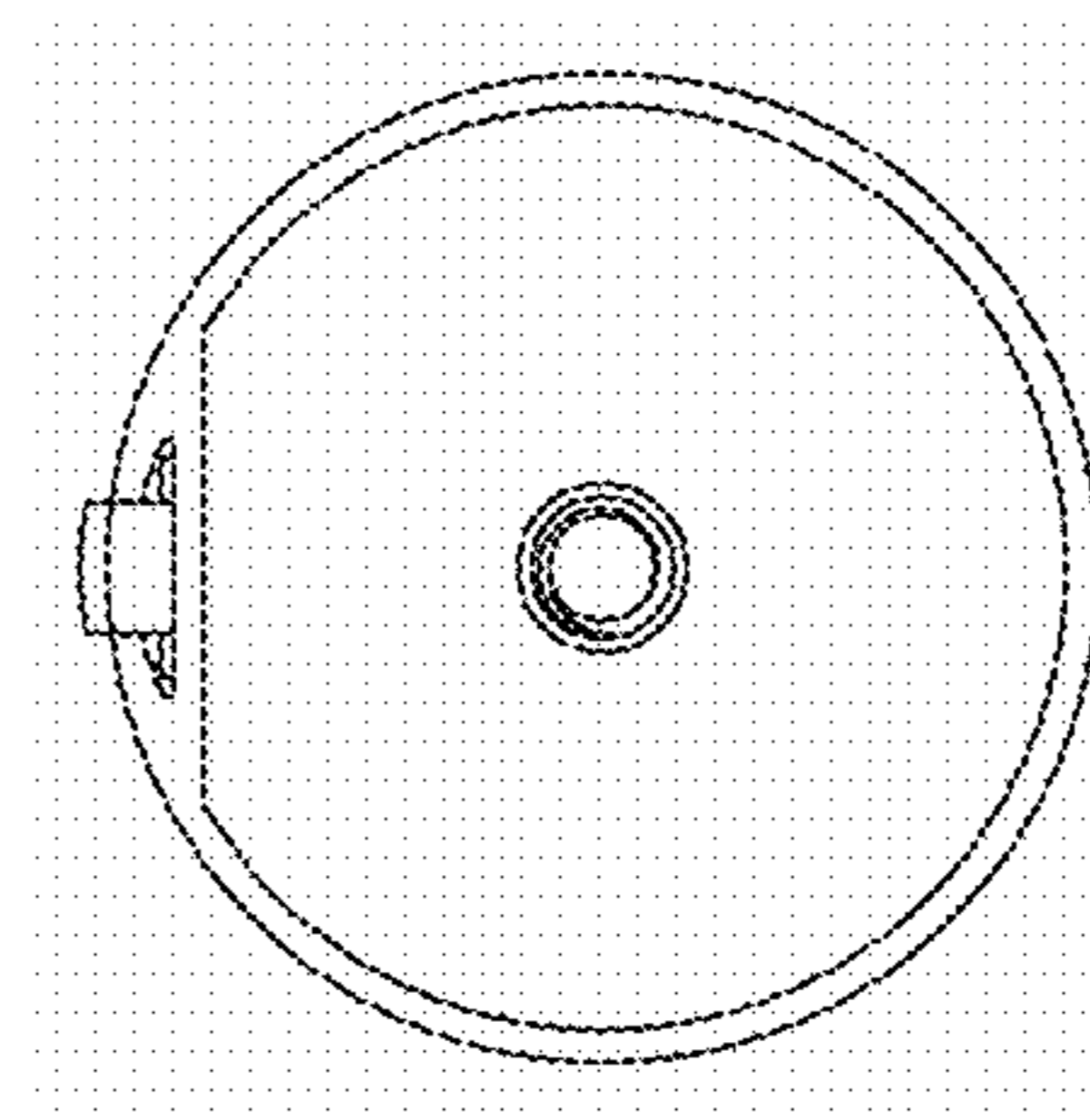
**FIG. 1**



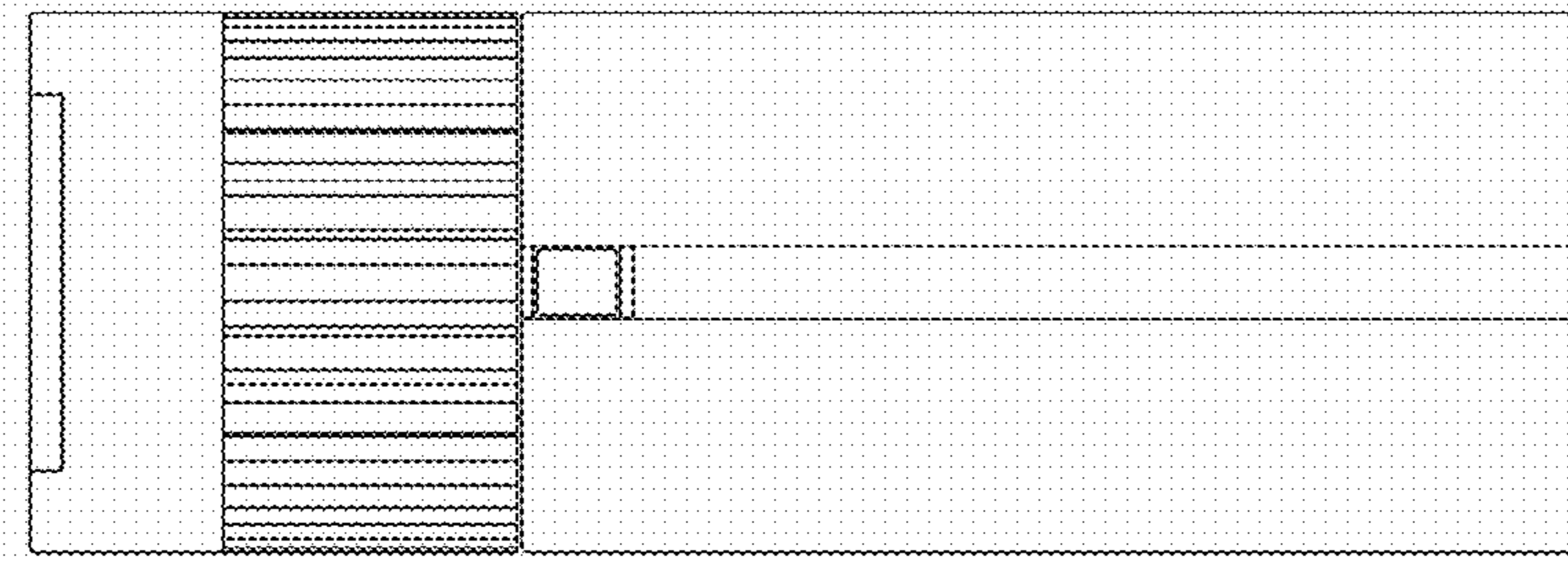
**FIG. 2**



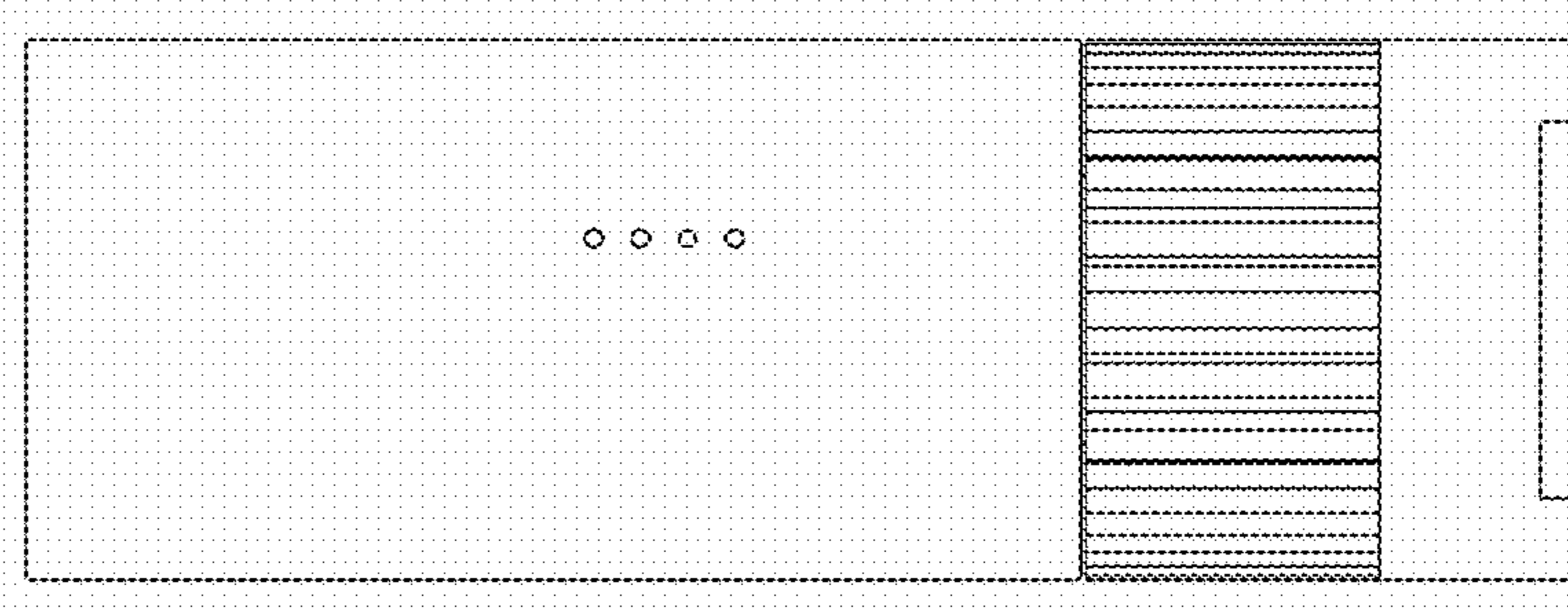
**FIG. 3**



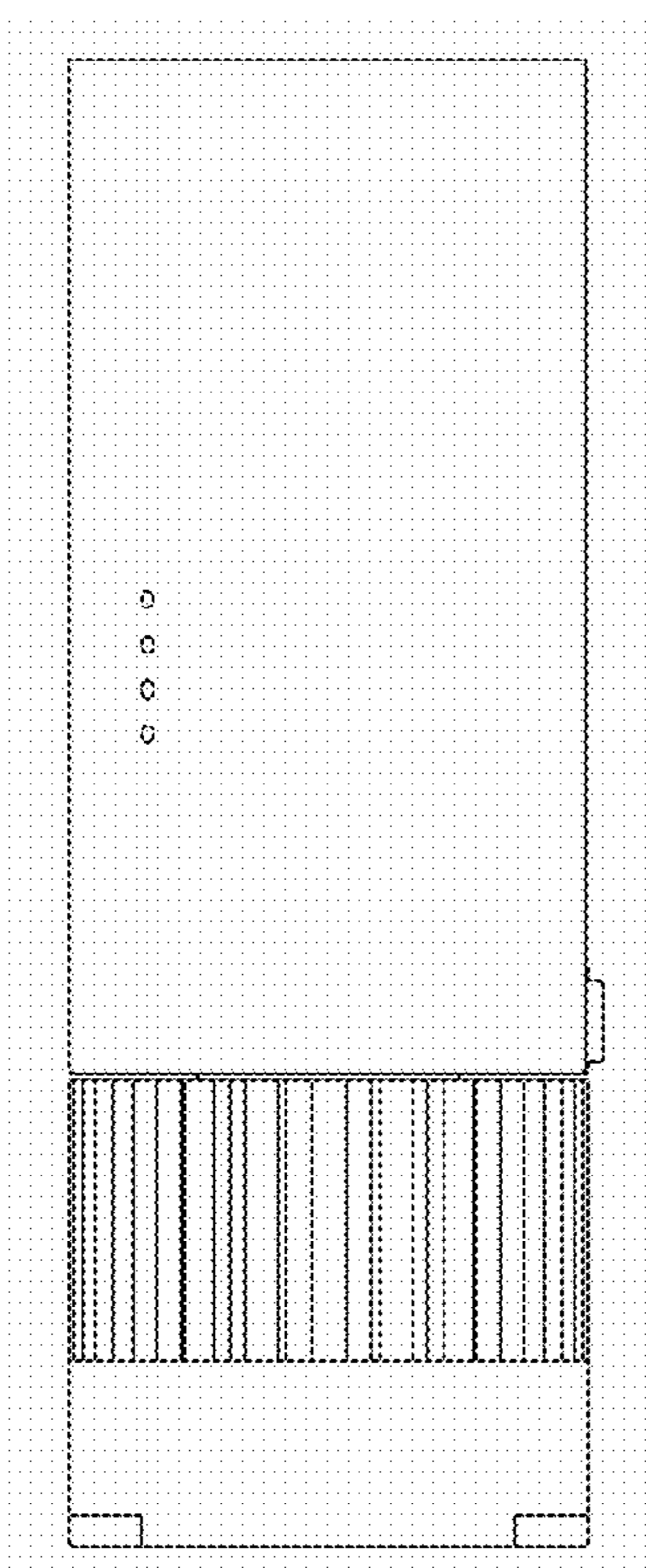
**FIG. 4**



**FIG. 5**



**FIG. 6**



**FIG. 7**