



US00D933273S

(12) **United States Design Patent**
Qiu

(10) **Patent No.:** **US D933,273 S**
(45) **Date of Patent:** **** Oct. 12, 2021**

(54) **FLASHLIGHT**

(71) Applicant: **NINGBO FUTAI ELECTRIC LIMITED**, Zhejiang (CN)

(72) Inventor: **Fujun Qiu**, Ningbo (CN)

(73) Assignee: **NINGBO FUTAI ELECTRIC LIMITED**, Zhejiang (CN)

(**) Term: **15 Years**

(21) Appl. No.: **29/665,365**

(22) Filed: **Oct. 2, 2018**

(51) **LOC (13) Cl.** **26-02**

(52) **U.S. Cl.**
USPC **D26/49**

(58) **Field of Classification Search**

USPC D26/37-51
CPC F21L 2003/00; F21L 4/00; F21L 4/005;
F21L 4/02; F21L 4/025; F21L 4/027;
F21L 4/04; F21L 4/08; F21L 2005/00;
F21L 7/00; F21L 11/00; F21L 13/00;
F21L 13/04;

(Continued)

(56) **References Cited**

U.S. PATENT DOCUMENTS

D536,117 S * 1/2007 Krieger D26/49
D566,309 S * 4/2008 Kornfeld D26/37

(Continued)

Primary Examiner — Brandon M Rosati

(74) *Attorney, Agent, or Firm* — Raymond Y. Chan;
David and Raymond Patent Firm

(57) **CLAIM**

The ornamental design for a flashlight, as shown and described.

DESCRIPTION

FIG. 1 is a front view of the flashlight of my new design according to a first embodiment;

FIG. 2 is a rear view thereof according to the first embodiment;

FIG. 3 is a left view thereof according to the first embodiment;

FIG. 4 is a right view thereof according to the first embodiment;

FIG. 5 is a top view thereof according to the first embodiment;

FIG. 6 is a bottom view thereof according to the first embodiment;

FIG. 7 is a front perspective view thereof according to the first embodiment;

FIG. 8 is a rear perspective view thereof according to the first embodiment;

FIG. 9 is a bottom perspective view thereof according to the first embodiment;

FIG. 10 is a front view of the flashlight of my new design according to a second embodiment, wherein the second embodiment is an alternative mode of the first embodiment to modify a mid-handle portion of the first embodiment;

FIG. 11 is a rear view thereof according to the second embodiment;

FIG. 12 is a left view thereof according to the second embodiment;

FIG. 13 is a right view thereof according to the second embodiment;

FIG. 14 is a top view thereof according to the second embodiment;

FIG. 15 is a bottom view thereof according to the second embodiment;

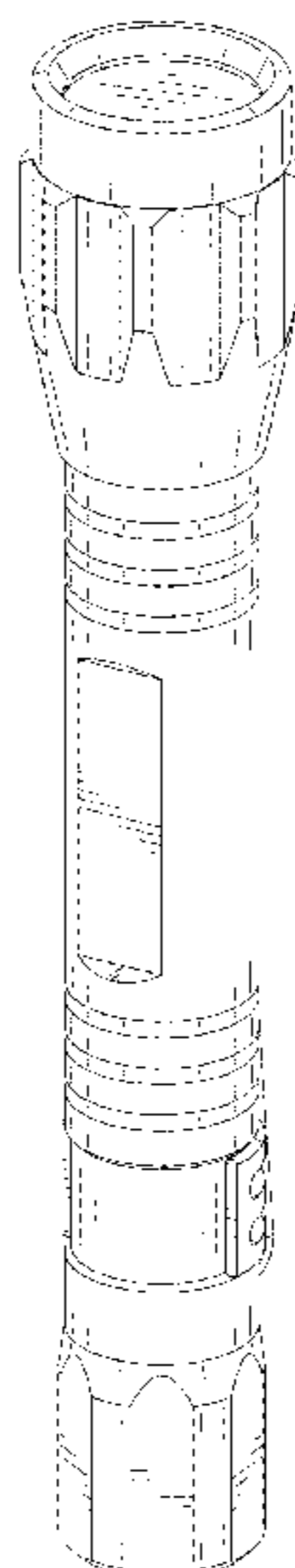
FIG. 16 is a front perspective view thereof according to the second embodiment;

FIG. 17 is a rear perspective view thereof according to the second embodiment; and,

FIG. 18 is a bottom perspective view thereof according to the second embodiment.

The broken lines show portions of the flashlight which form no part of the claimed design.

1 Claim, 18 Drawing Sheets



(58) **Field of Classification Search**

CPC . F21L 13/08; F21L 14/02; F21L 17/00; F21L
19/00; F21L 25/00

See application file for complete search history.

(56) **References Cited**

U.S. PATENT DOCUMENTS

D629,542 S	*	12/2010	Robinson	D26/49
D659,271 S	*	5/2012	Nguyen	D26/49
D709,231 S	*	7/2014	Nguyen	D26/49
D710,526 S	*	8/2014	Lee	D26/49
D736,981 S	*	8/2015	Windom	D26/49
D802,194 S	*	11/2017	Green	D26/49
D803,444 S	*	11/2017	Green	D26/49
D811,637 S	*	2/2018	Feustel	D26/49
D843,624 S	*	3/2019	Son	D26/49
D846,169 S	*	4/2019	Inskeep	D26/49
D846,782 S	*	4/2019	Huang	D26/49
D860,493 S	*	9/2019	Qiu	D26/49

* cited by examiner

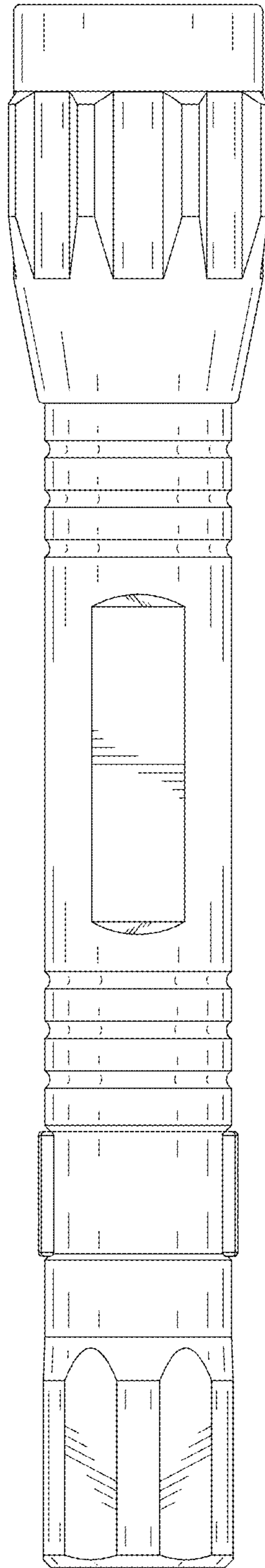


FIG.1

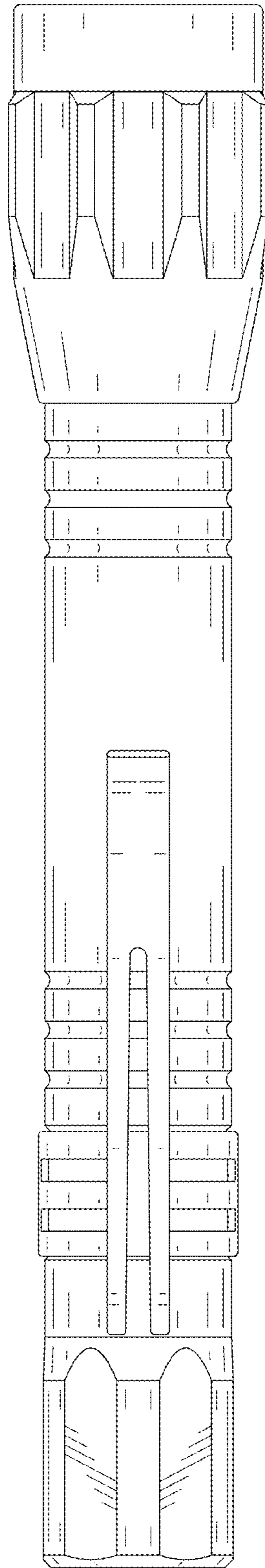


FIG.2

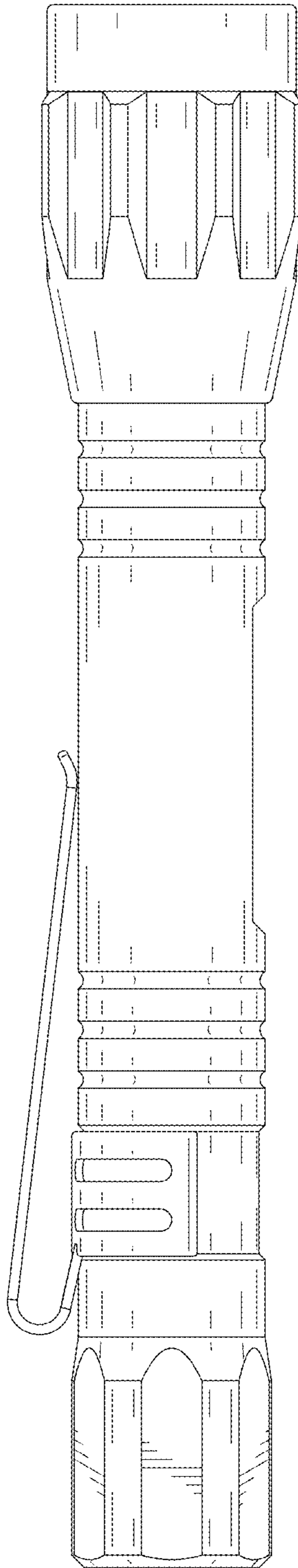


FIG.3

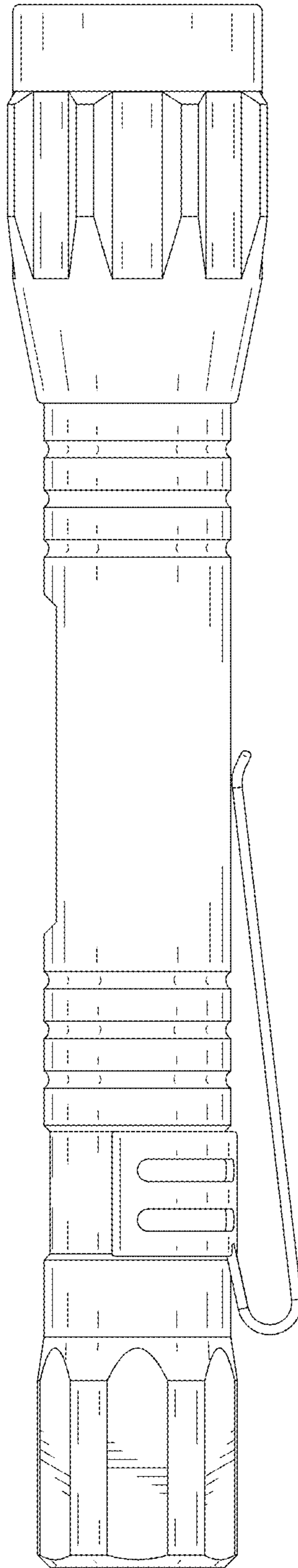


FIG.4

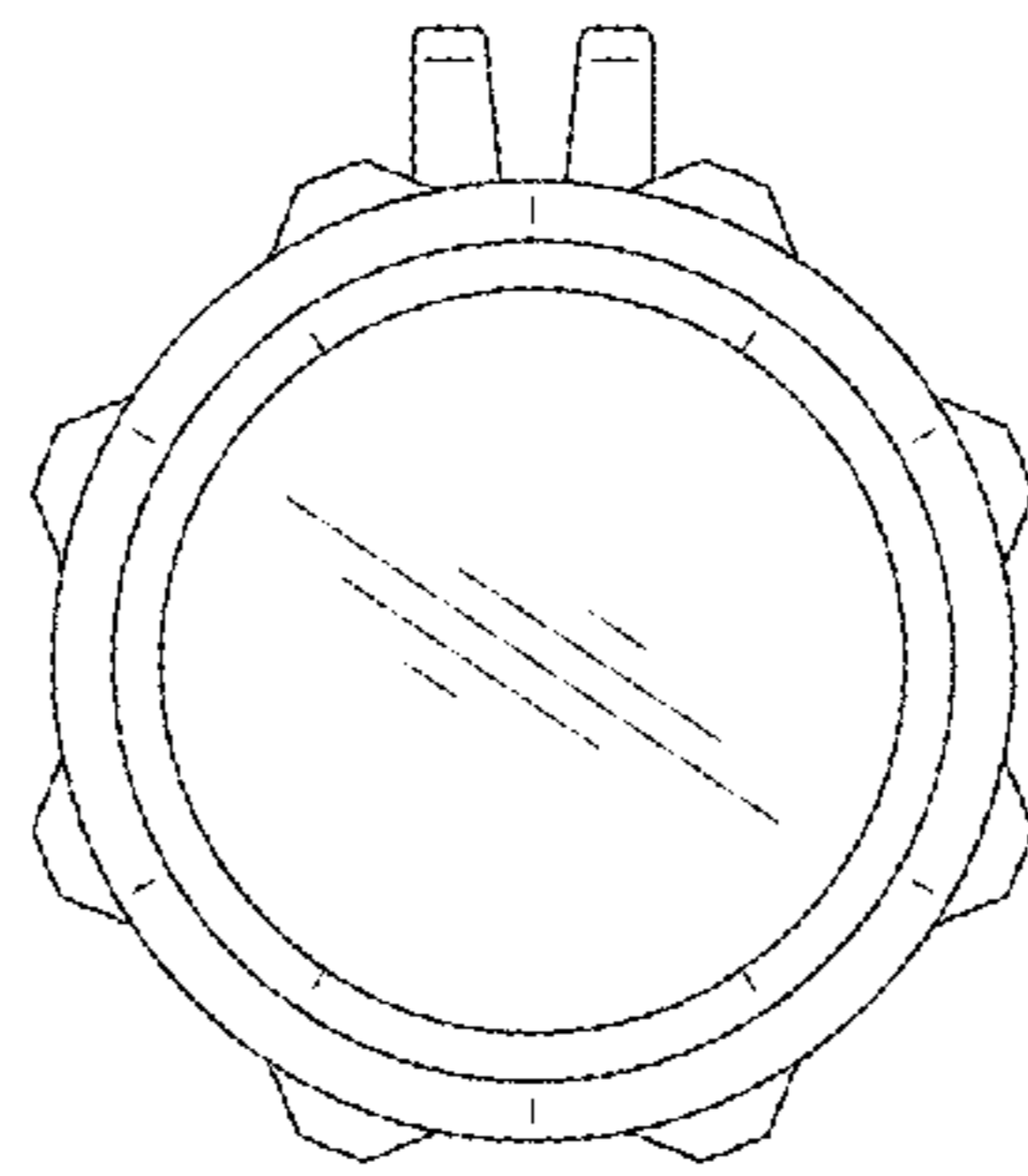


FIG.5

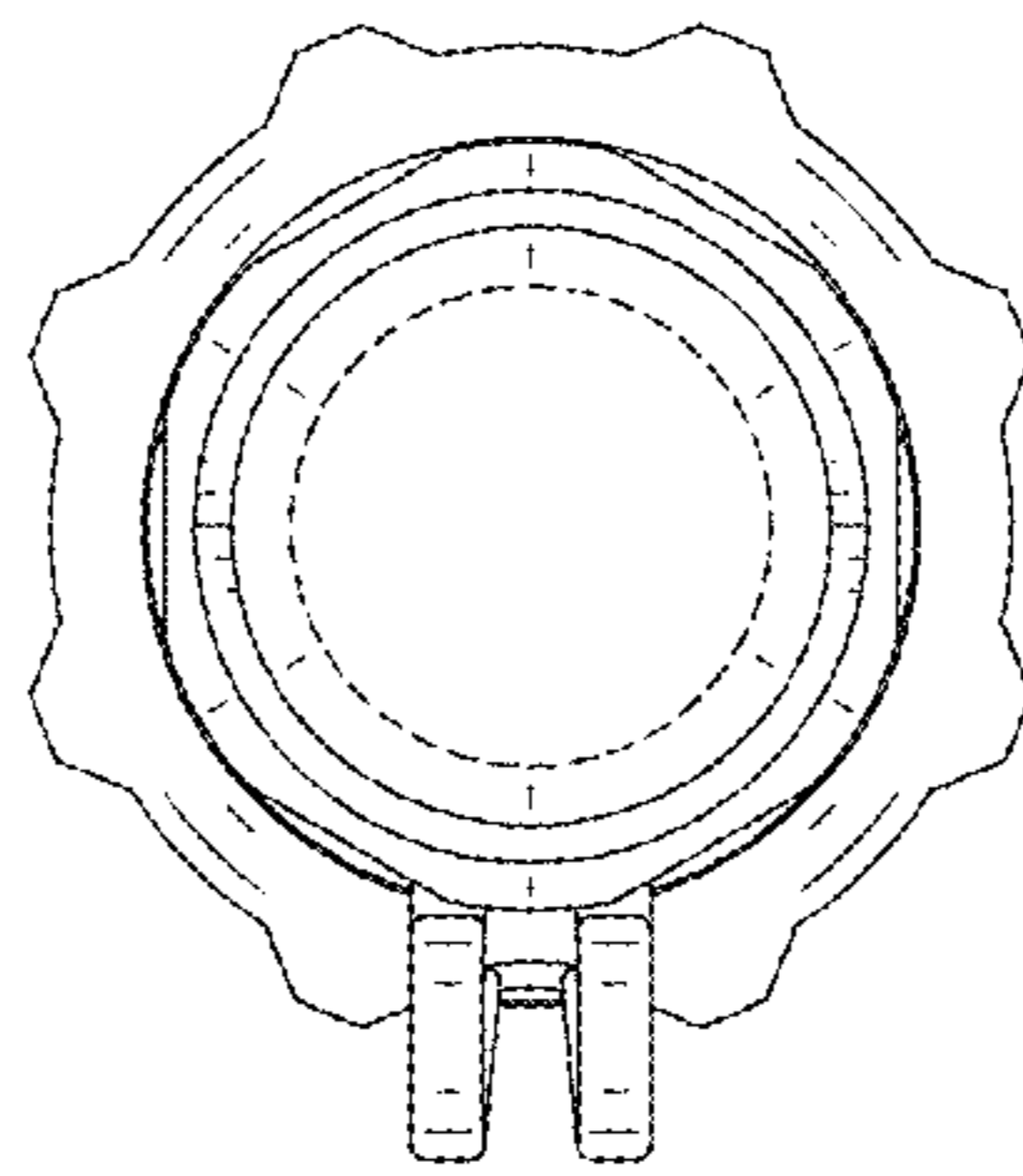


FIG.6

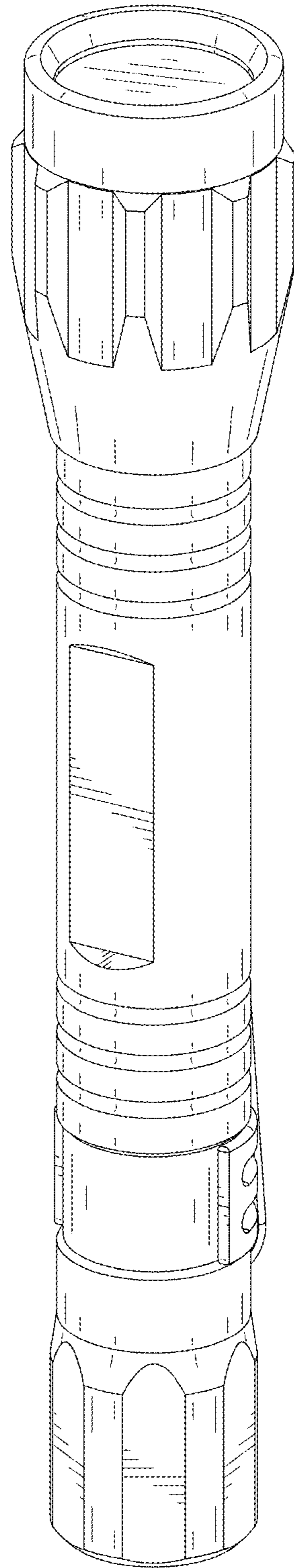


FIG. 7

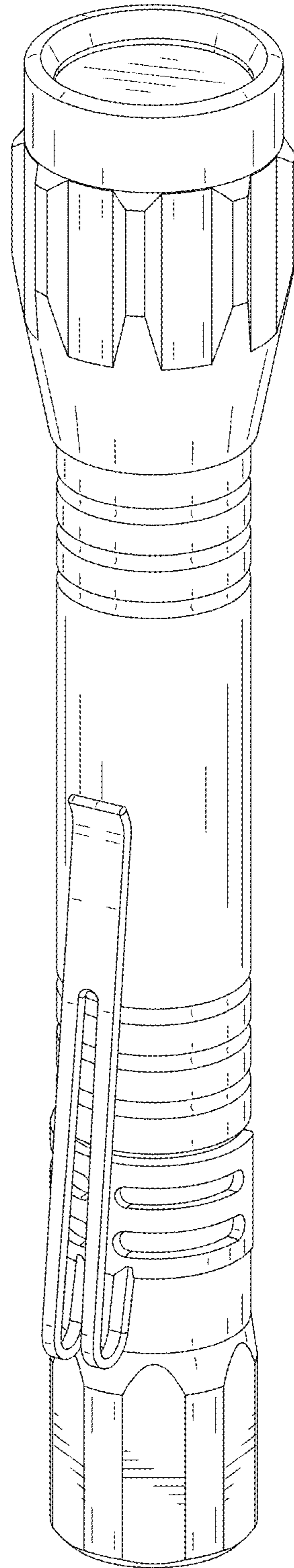


FIG.8

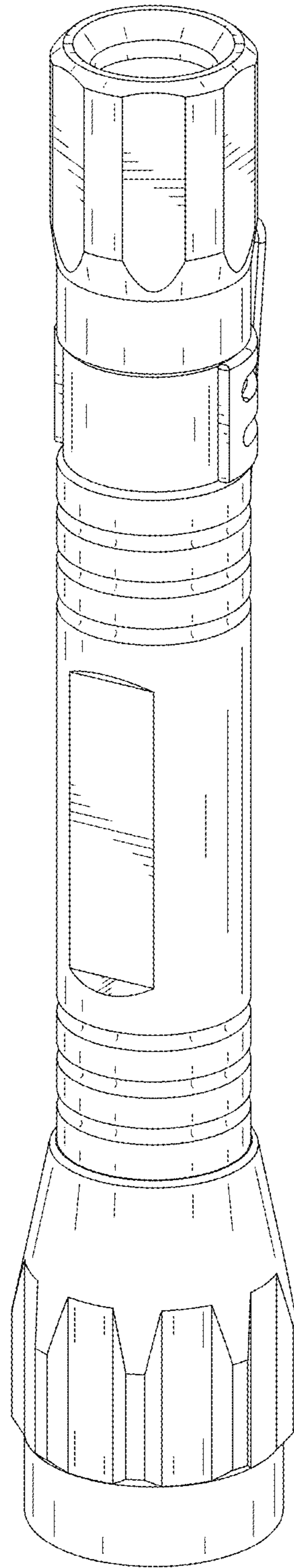


FIG.9

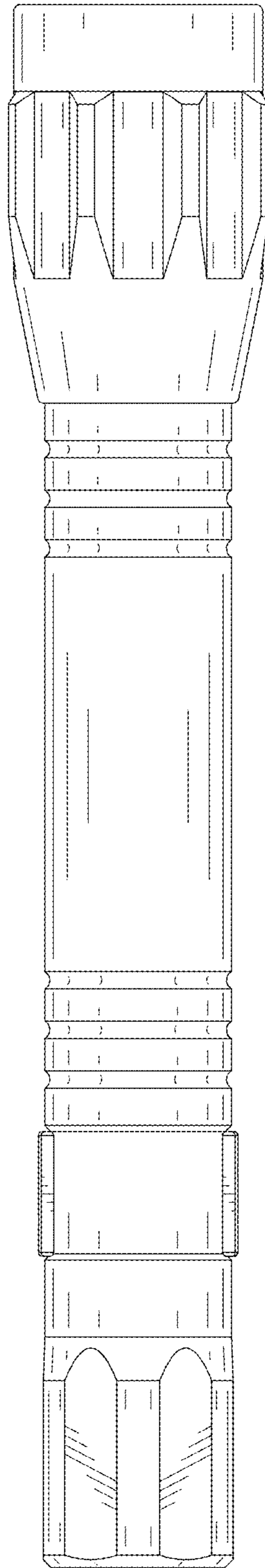


FIG.10

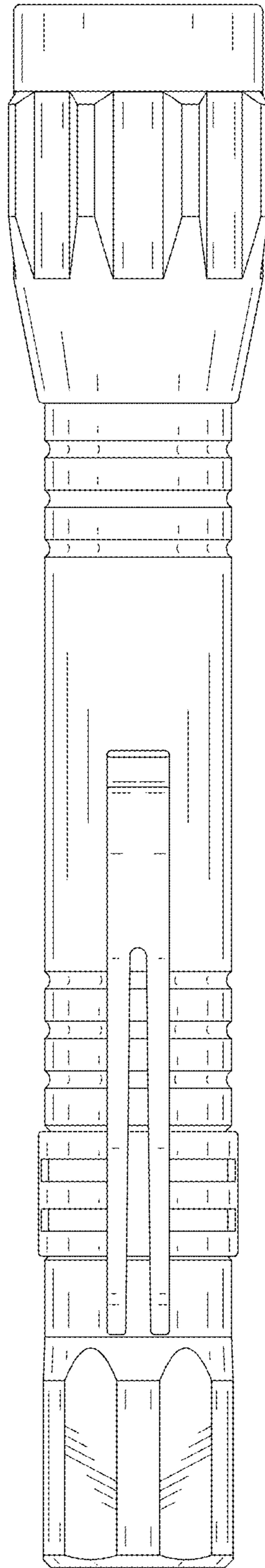


FIG.11

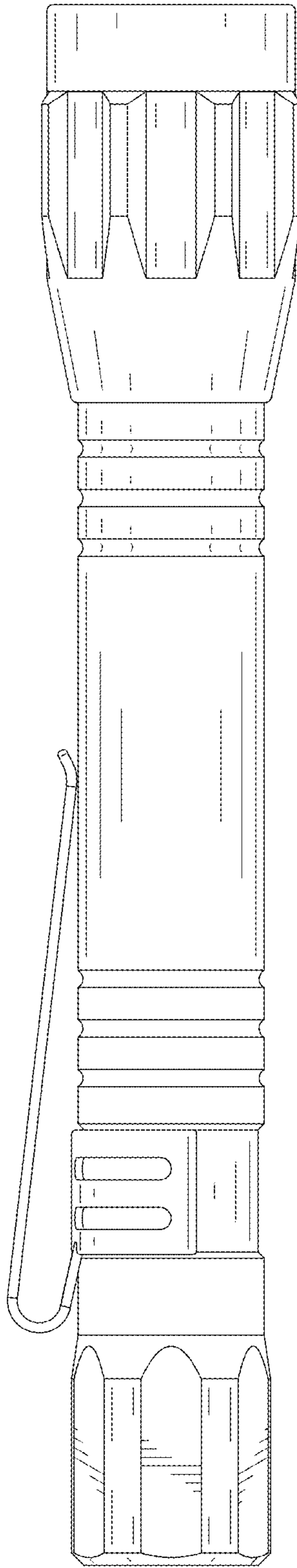


FIG.12

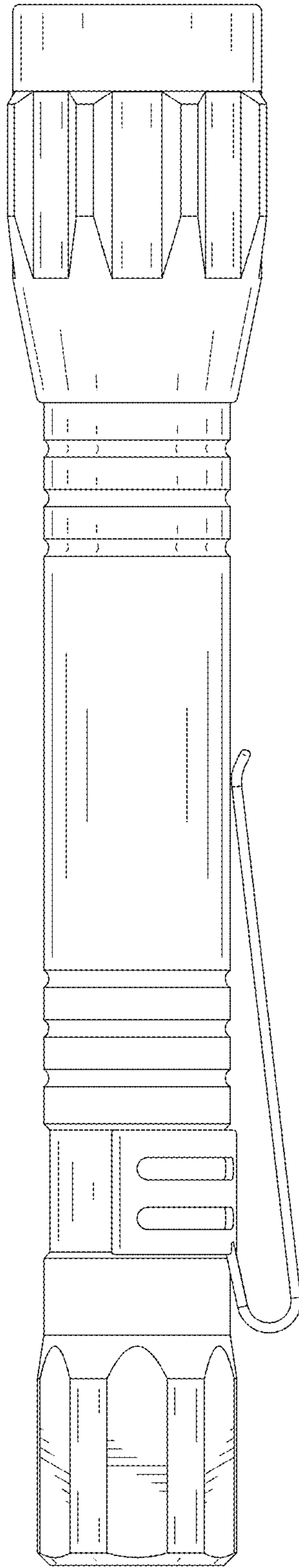


FIG.13

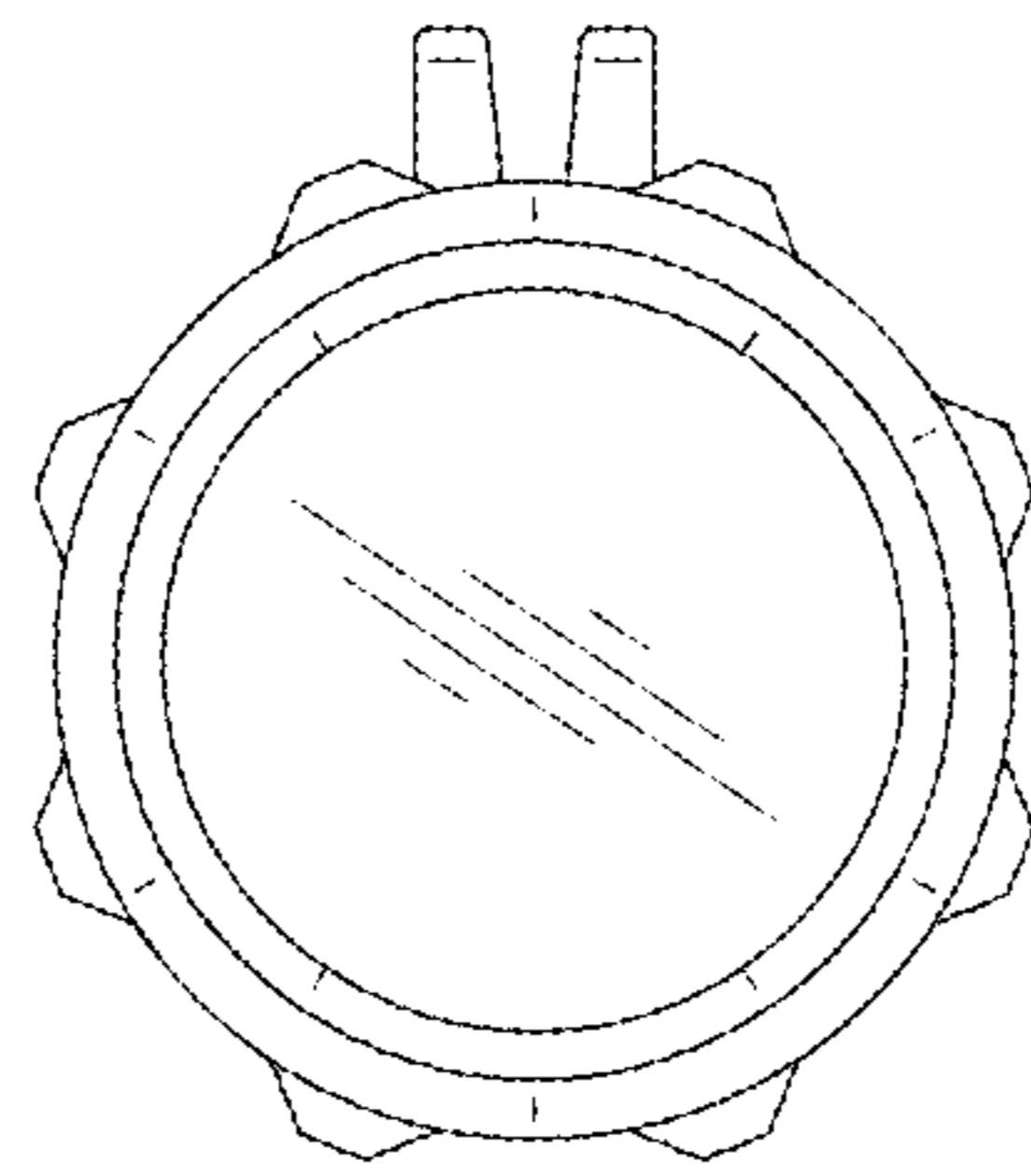


FIG.14

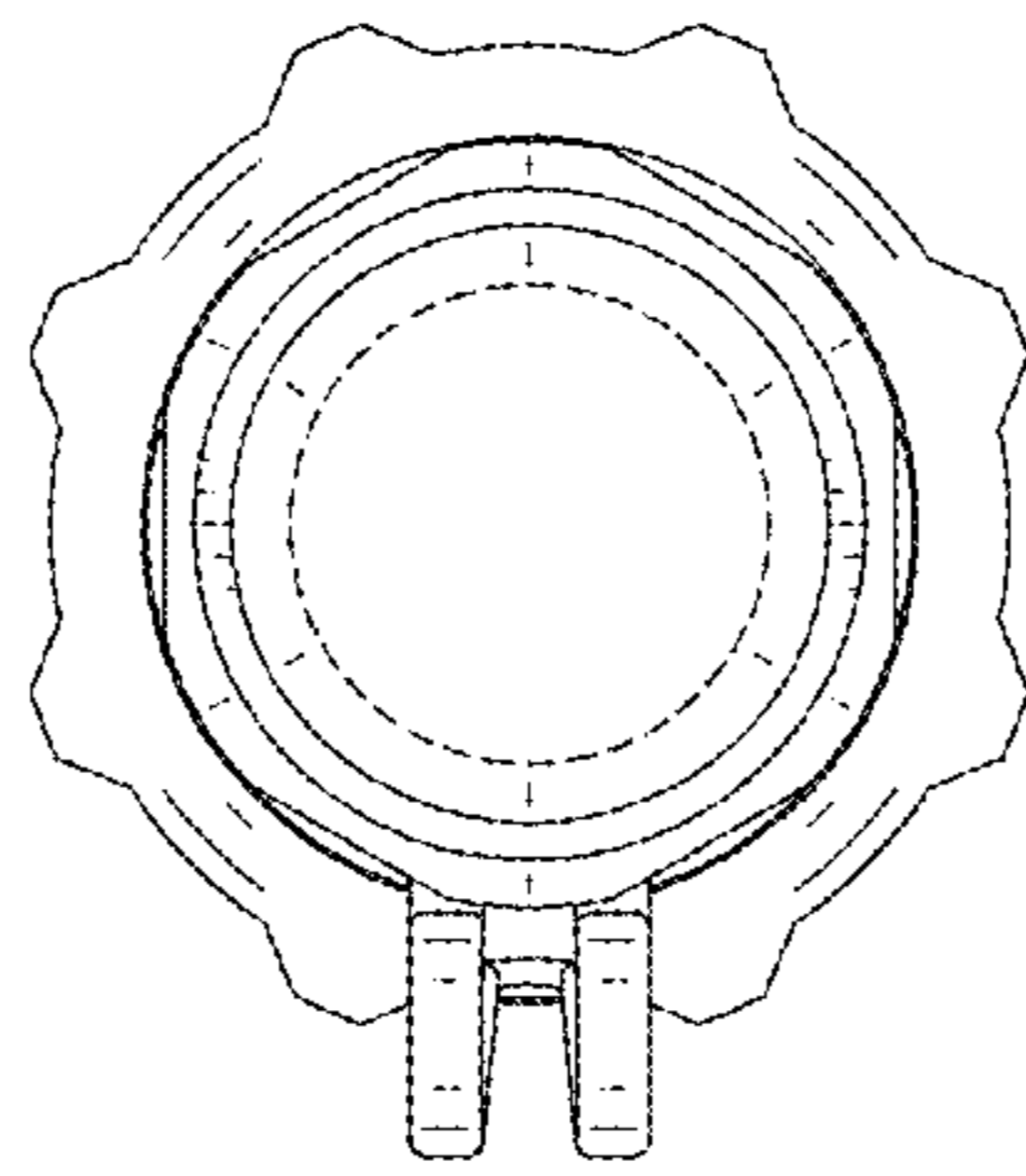


FIG.15

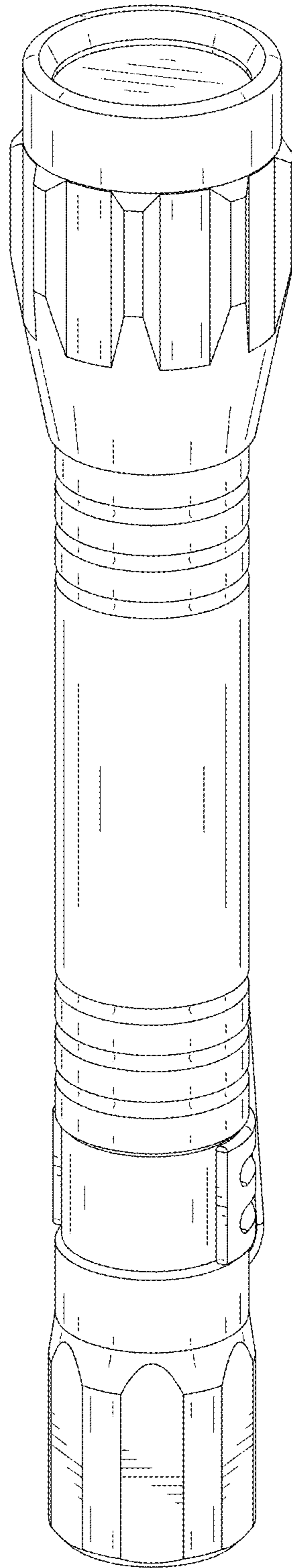


FIG.16

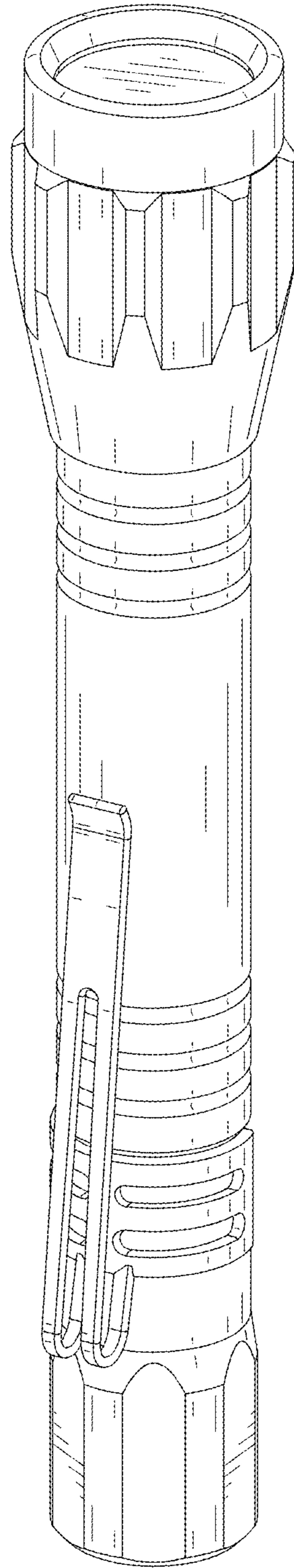


FIG.17

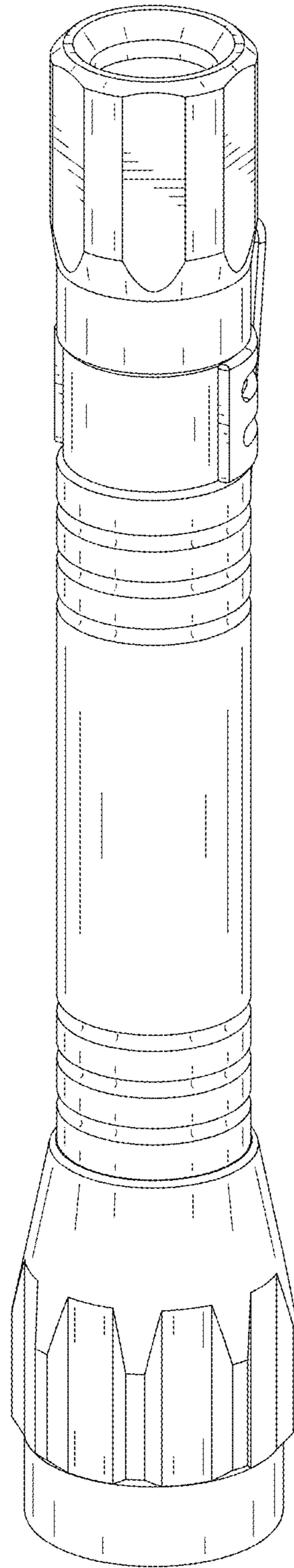


FIG.18