



US00D933272S

(12) **United States Design Patent** (10) **Patent No.:** **US D933,272 S**
Buckley et al. (45) **Date of Patent:** **** Oct. 12, 2021**

- (54) **LANTERN**
- (71) Applicant: **The Coleman Company, Inc.**, Wichita, KS (US)
- (72) Inventors: **Jill Buckley**, Mattawan, MI (US); **Josh Hansen**, Mattawan, MI (US); **Adam A. Luedke**, Kalamazoo, MI (US)
- (73) Assignee: **The Coleman Company, Inc.**, Wichita, KS (US)
- (**) Term: **15 Years**
- (21) Appl. No.: **29/687,502**
- (22) Filed: **Apr. 12, 2019**
- (51) **LOC (13) Cl.** **26-02**
- (52) **U.S. Cl.**
USPC **D26/40**
- (58) **Field of Classification Search**
USPC D26/37, 40-41, 46, 50
CPC F21L 2003/00; F21L 4/00; F21L 4/005; F21L 4/02; F21L 4/025; F21L 4/027; F21L 4/04; F21L 4/08; F21L 2005/00; F21L 13/00; F21L 13/04; F21L 14/02; F21L 17/00; F21L 19/00
See application file for complete search history.

- D608,920 S * 1/2010 Loibl D26/40
 - D611,630 S * 3/2010 Chan D26/40
 - D617,480 S * 6/2010 DeBrunner D26/40
 - 8,662,699 B2 * 3/2014 Tarter F21L 4/027
362/183
 - D770,070 S * 10/2016 Zhou D26/41
 - D794,235 S * 8/2017 Green D26/40
 - D843,038 S * 3/2019 Vyvey D26/40
 - D857,283 S * 8/2019 Hammer D26/118
- (Continued)

OTHER PUBLICATIONS

www.coleman.com: OneSource 600 Lumens LED Lantern & Rechargeable Lithium-Ion Battery. Undated online product page. Retrieved on Jul. 13, 2020 from <https://www.coleman.com/all-lighting/battery-lanterns/onesource-600-lumens-led-lantern-rechargeable-lithium-ion-battery/col_2000035451_pr/COL_2000035451> (Year: 2020).*

(Continued)

Primary Examiner — Sheryl Lane
Assistant Examiner — Calvin E Vansant
(74) *Attorney, Agent, or Firm* — Husch Blackwell LLP

(57) **CLAIM**

We claim the ornamental design for a lantern, as shown and described.

DESCRIPTION

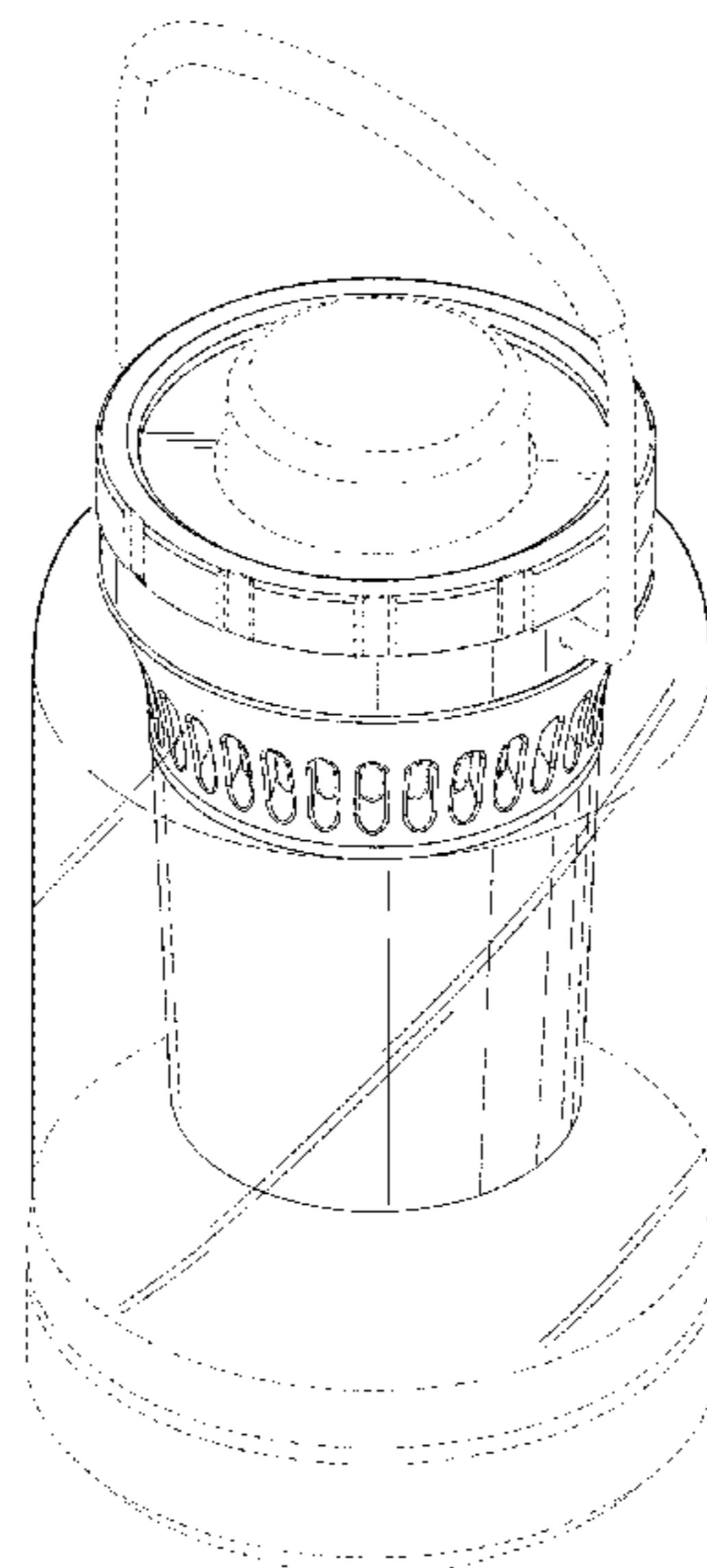
FIG. 1 is a perspective view of a lantern according to our new design;
FIG. 2 is a front elevation view thereof, the rear elevation view being identical thereto;
FIG. 3 is a top plan view thereof; and,
FIG. 4 is a right side elevation view thereof, with the left side elevation view being identical thereto.
Throughout the drawings, the broken lines depict portions of the lantern that form no part of the claimed design.
The globe of the lantern is shaded for transparency.

1 Claim, 4 Drawing Sheets

(56) **References Cited**

U.S. PATENT DOCUMENTS

- D287,410 S * 12/1986 Johansson D26/40
- 5,758,949 A * 6/1998 Van Deursen F21L 4/00
362/162
- D399,016 S * 9/1998 Howard D26/42
- 5,860,729 A * 1/1999 Bamber F21L 4/02
362/184
- D443,088 S * 5/2001 Skidmore D26/40
- D485,928 S * 1/2004 Leung D26/40
- D486,934 S * 2/2004 Leung D26/40
- D529,647 S * 10/2006 Shiu D26/40
- D576,756 S * 9/2008 DeBrunner D26/40



(56)

References Cited

U.S. PATENT DOCUMENTS

D861,941 S * 10/2019 Hammer D26/40

OTHER PUBLICATIONS

llbean.com: L.L.Bean Trailblazer 300 Rechargeable Lantern. Undated online product page. Retrieved on Oct. 28, 2020 from <https://www.llbean.com/llb/shop/506867?originalProduct=123007&productId=1741212&attrValue_0=Black%2FGray . . . > (Year: 2020).*

amazon.com: Coleman 360 Degree Sound and Light Lantern. Date posted Dec. 7, 2018 [site visited Oct. 28, 2020]. Retrieved from <https://www.amazon.com/Coleman-360-Sound-Lantern-2000033083/dp/B07L6PT9HF/ref=asc_df_B07L6PT9HF/?tag=hyprod-20&linkCode=df0&hvadid=309795536527&hvpos . . . > (Year: 2018).*

* cited by examiner

FIG. 1

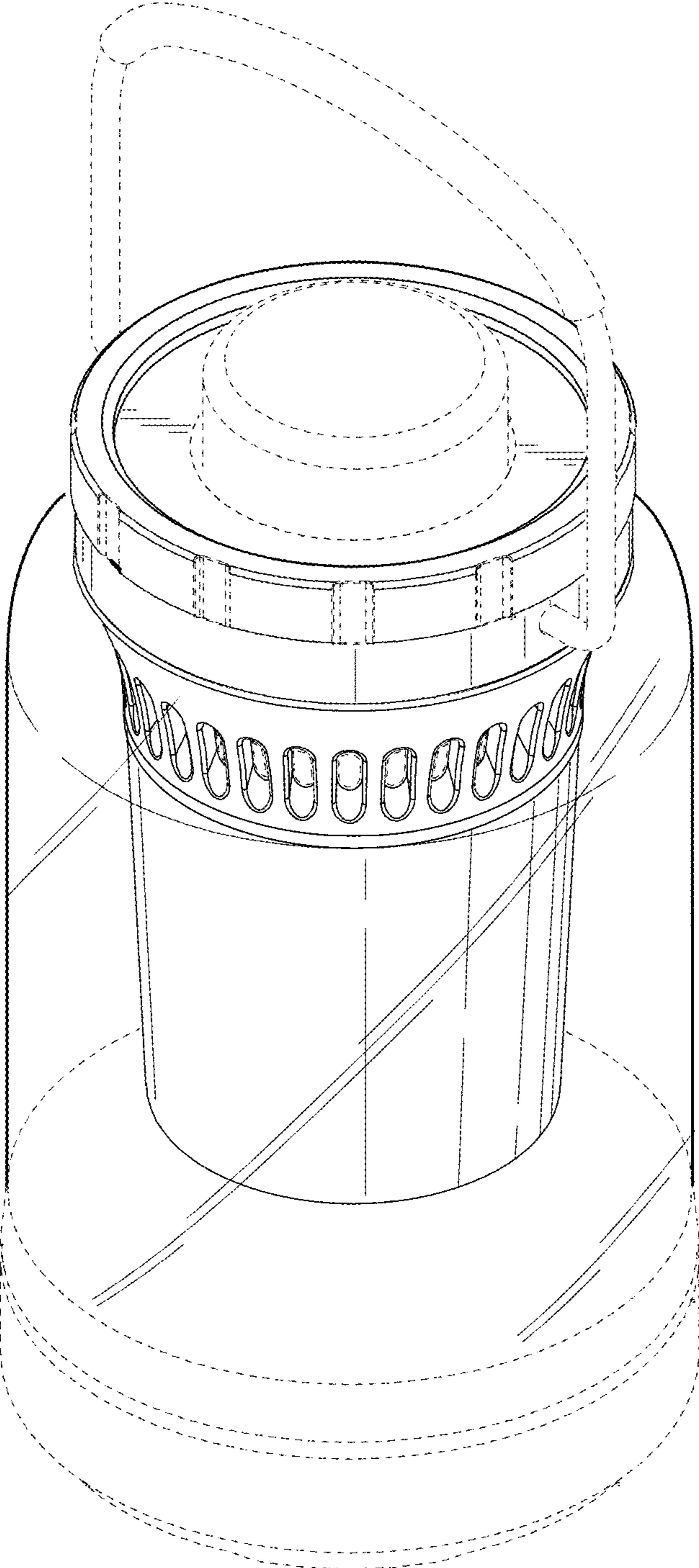


FIG. 2

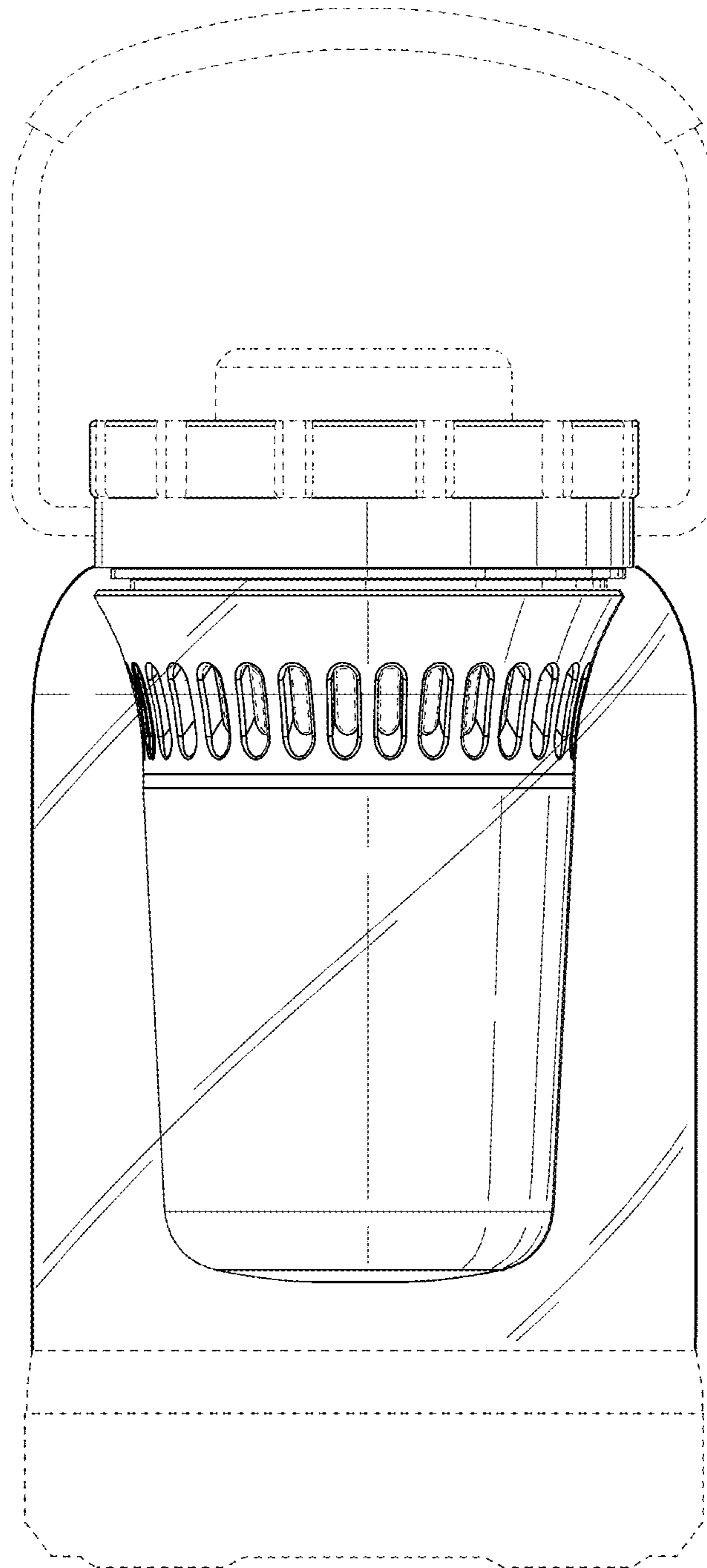


FIG. 3

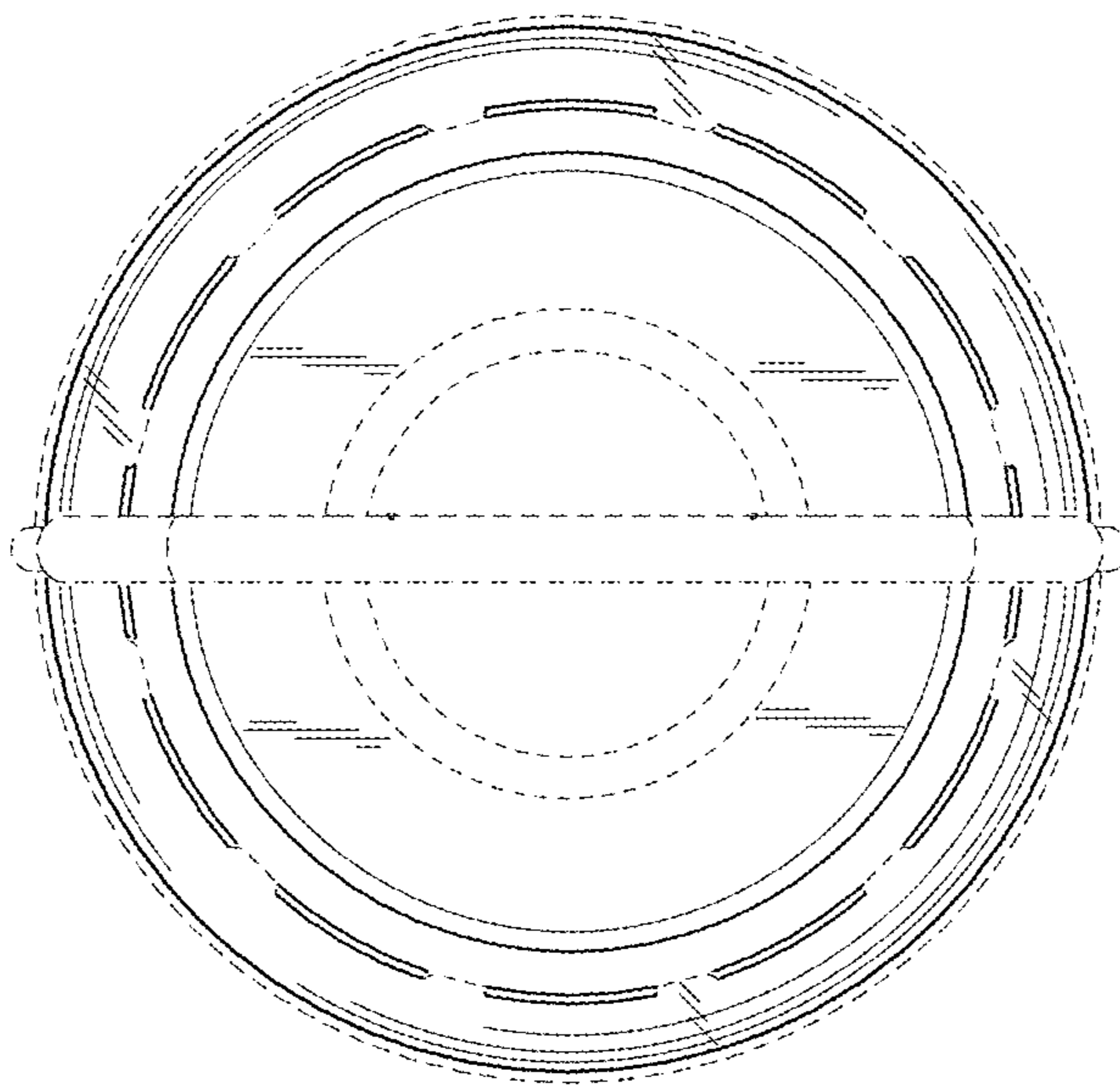


FIG. 4

