



US00D933269S

(12) **United States Design Patent**
Wu

(10) **Patent No.:** **US D933,269 S**

(45) **Date of Patent:** **** Oct. 12, 2021**

(54) **VEHICLE LIGHT**

(71) Applicant: **COPLUS INC.**, Tainan (TW)

(72) Inventor: **Po-Hua Wu**, Tainan (TW)

(73) Assignee: **Coplus Inc.**, Tainan (TW)

(**) Term: **15 Years**

(21) Appl. No.: **29/729,320**

(22) Filed: **Mar. 25, 2020**

(30) **Foreign Application Priority Data**

Feb. 10, 2020 (TW) 109300585

(51) **LOC (13) Cl.** **26-06**

(52) **U.S. Cl.**
USPC **D26/28**

(58) **Field of Classification Search**
USPC D26/28, 29, 30, 31, 32, 33, 34, 35, 36,
D26/44

CPC F21S 48/00; F21S 48/10; F21S 48/115;
F21S 48/225; F21S 48/1233; F21S
48/1266; F21S 48/1388; F21S 48/2268;
F21V 21/04; F21W 2103/35; F21W 3/40;
F21W 2102/17; F21W 2102/30; F21W
2103/00; F21W 2103/55; F21W 2104/00;
F21W 2107/17; F21W 2107/13

See application file for complete search history.

(56) **References Cited**

U.S. PATENT DOCUMENTS

D849,285 S * 5/2019 Lin D26/28
D857,262 S * 8/2019 Lin D26/28

D863,628 S * 10/2019 Lin D26/28
D869,700 S * 12/2019 Lin D26/28
D883,535 S * 5/2020 He D26/28
D883,537 S * 5/2020 Lin D26/28
D890,385 S * 7/2020 Yang D26/28
D890,386 S * 7/2020 Wu D26/28
D890,388 S * 7/2020 Wu D26/28
D892,368 S * 8/2020 Lin D26/28
D907,262 S * 1/2021 Lin D26/28
D909,634 S * 2/2021 He D26/28

* cited by examiner

Primary Examiner — Angela J Lee

(74) *Attorney, Agent, or Firm* — Lewis Roca Rothgerber
Christie LLP

(57) **CLAIM**

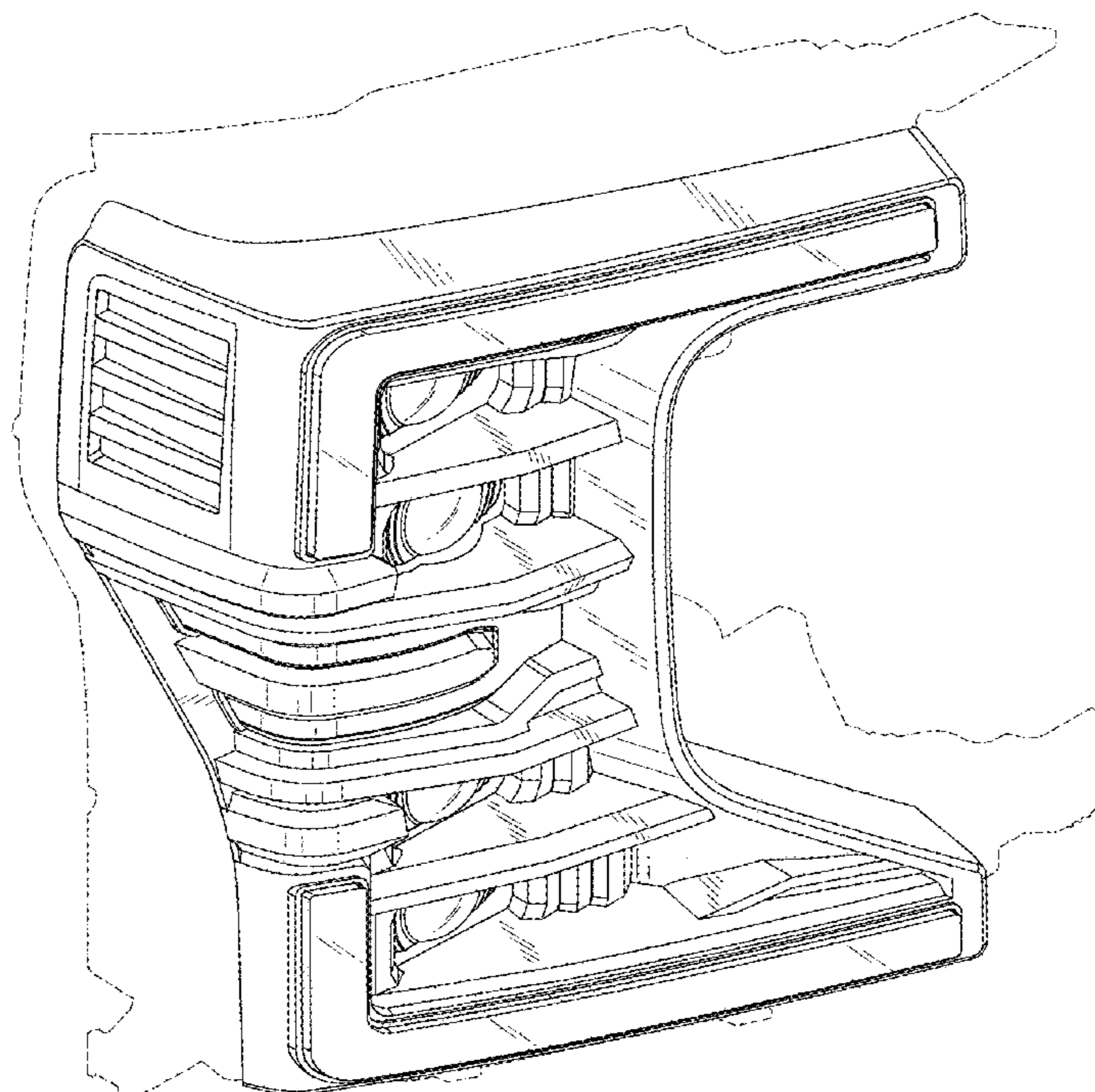
The ornamental design for vehicle light, as shown and described.

DESCRIPTION

FIG. 1 is a perspective view of a vehicle light;
FIG. 2 is a front view thereof;
FIG. 3 is a back view thereof;
FIG. 4 is a left side view thereof;
FIG. 5 is a right side view thereof;
FIG. 6 is a top view thereof; and,
FIG. 7 is a bottom view thereof.

The broken lines in the drawings are for illustrative purpose only and form no part of the claimed design.

1 Claim, 7 Drawing Sheets



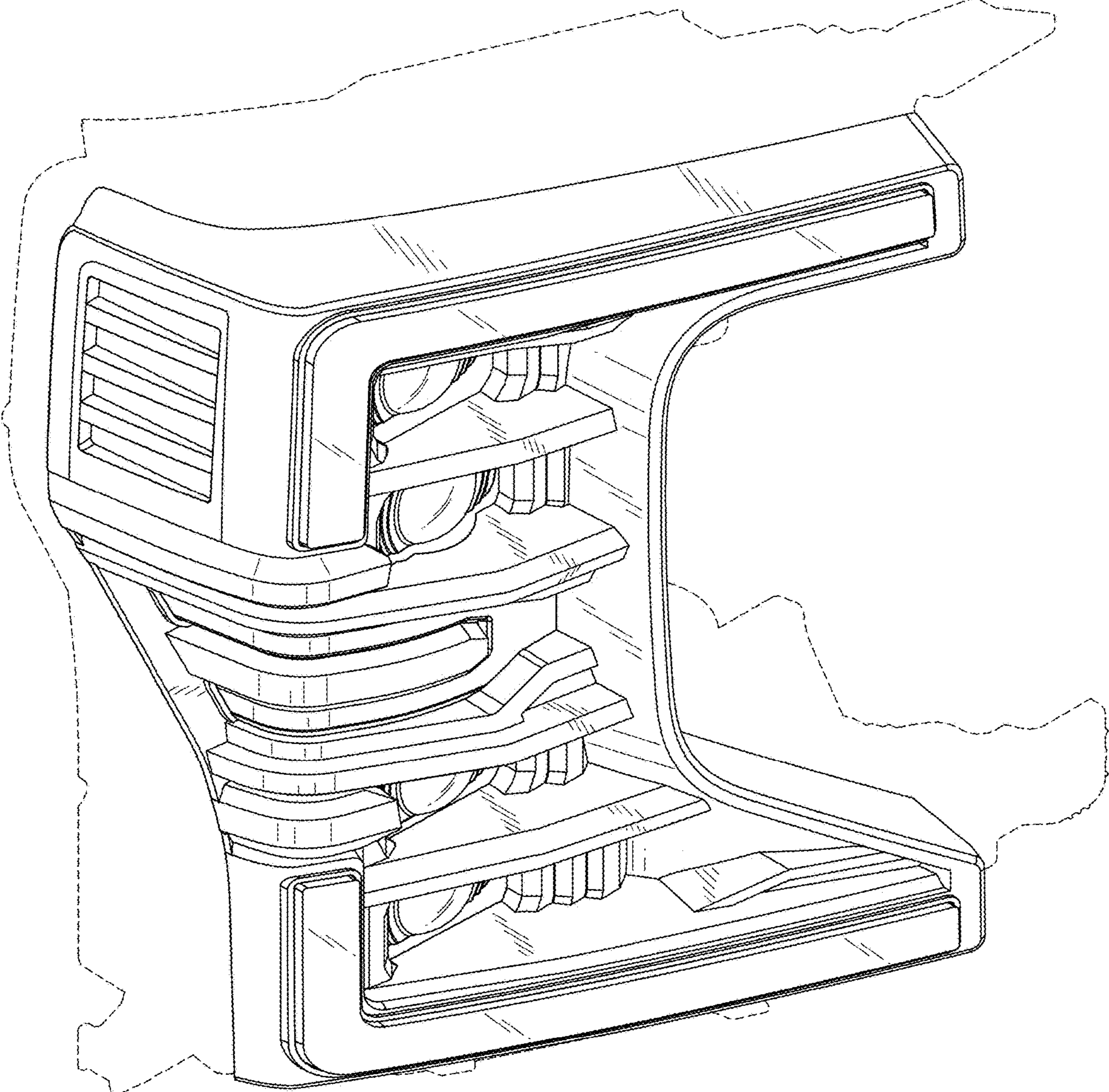


FIG. 1

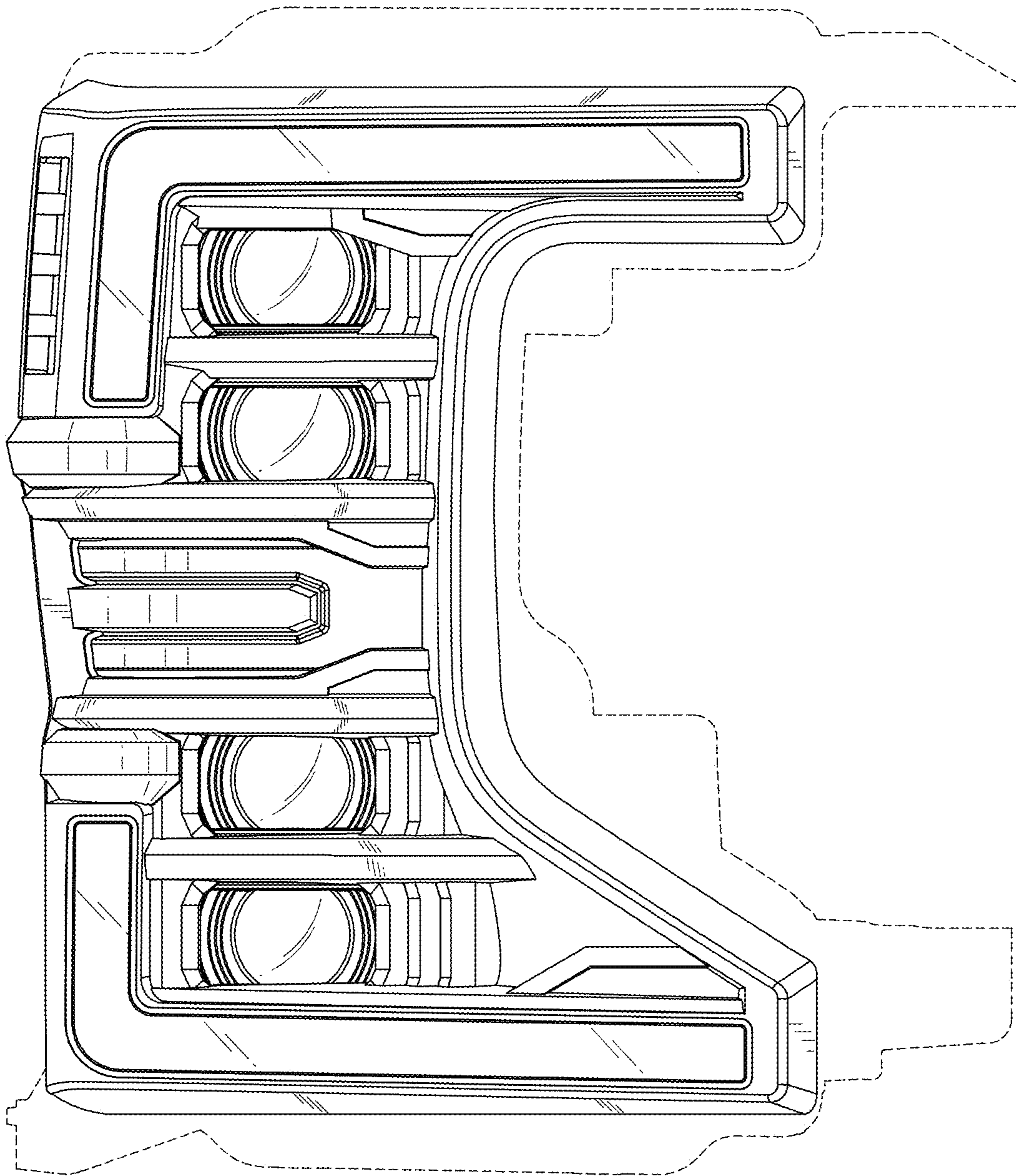


FIG. 2

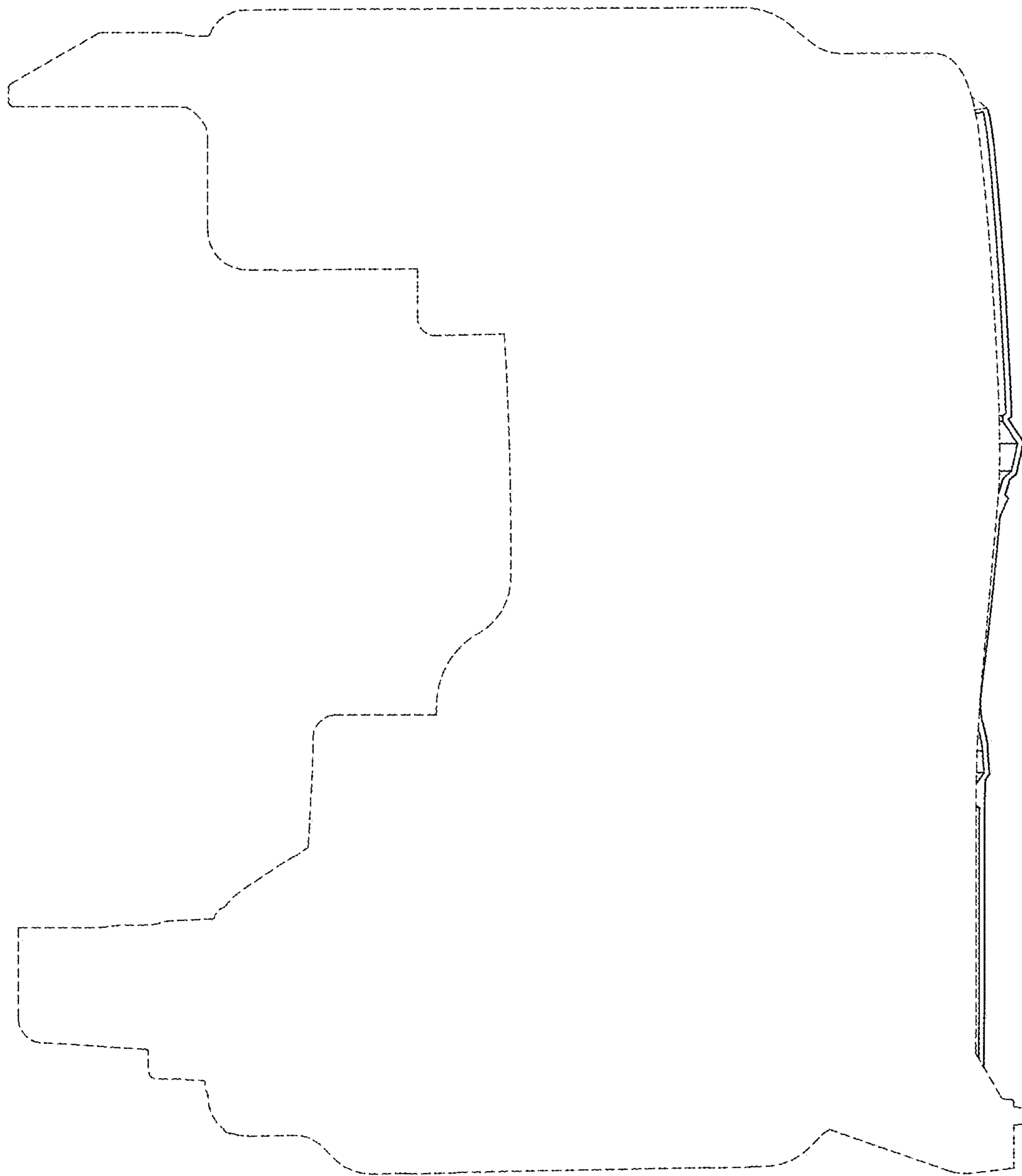


FIG. 3

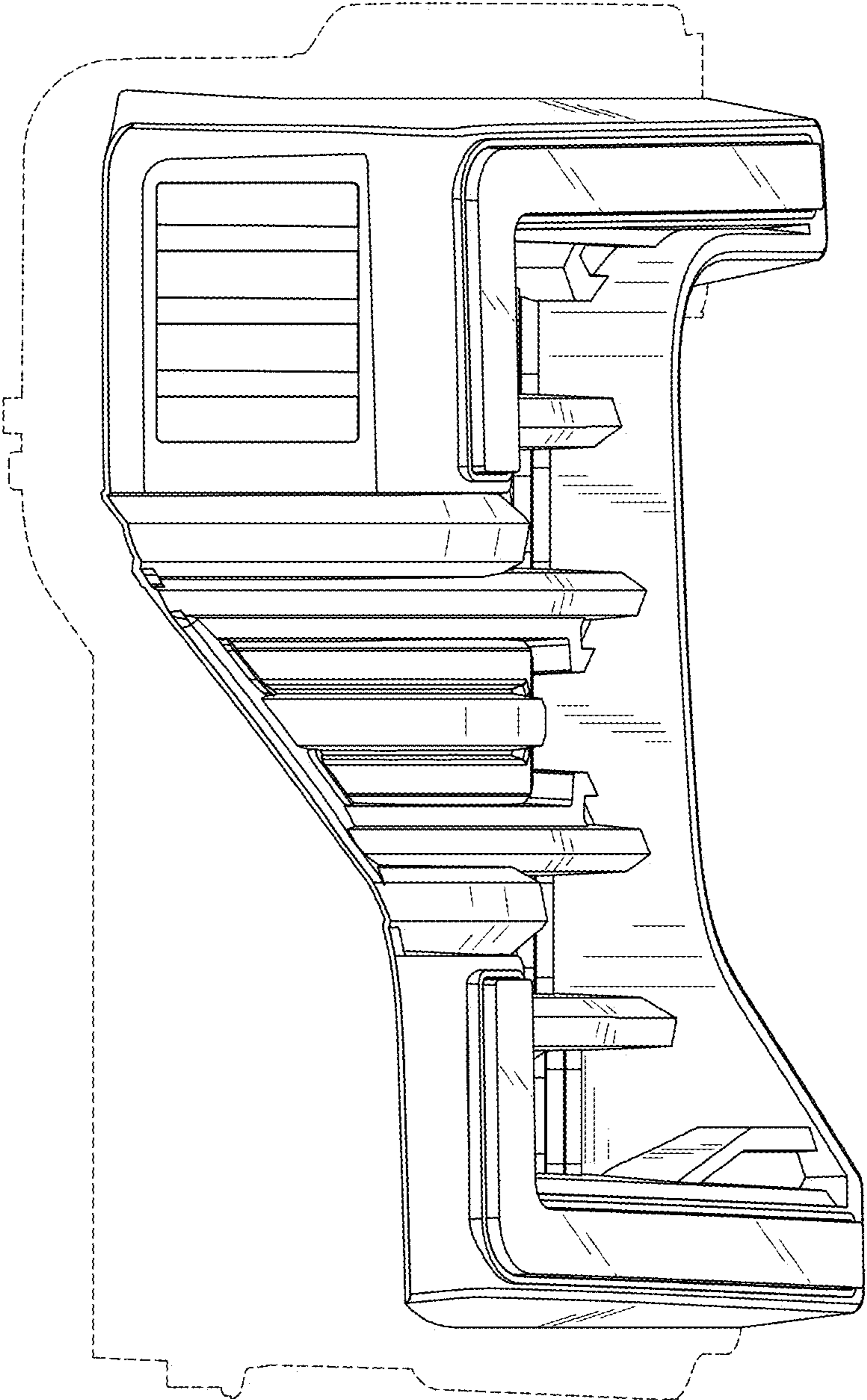


FIG. 4

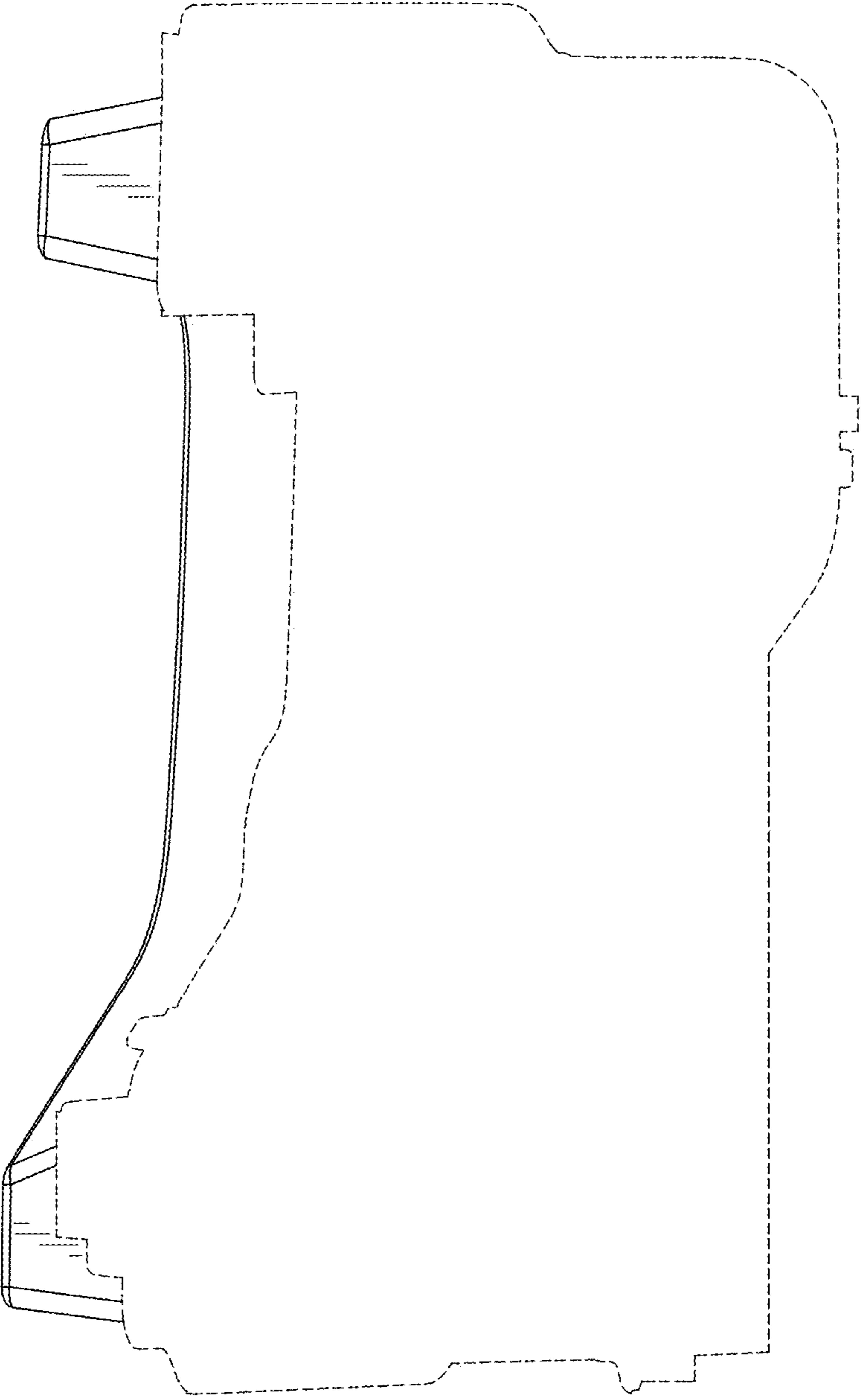


FIG. 5

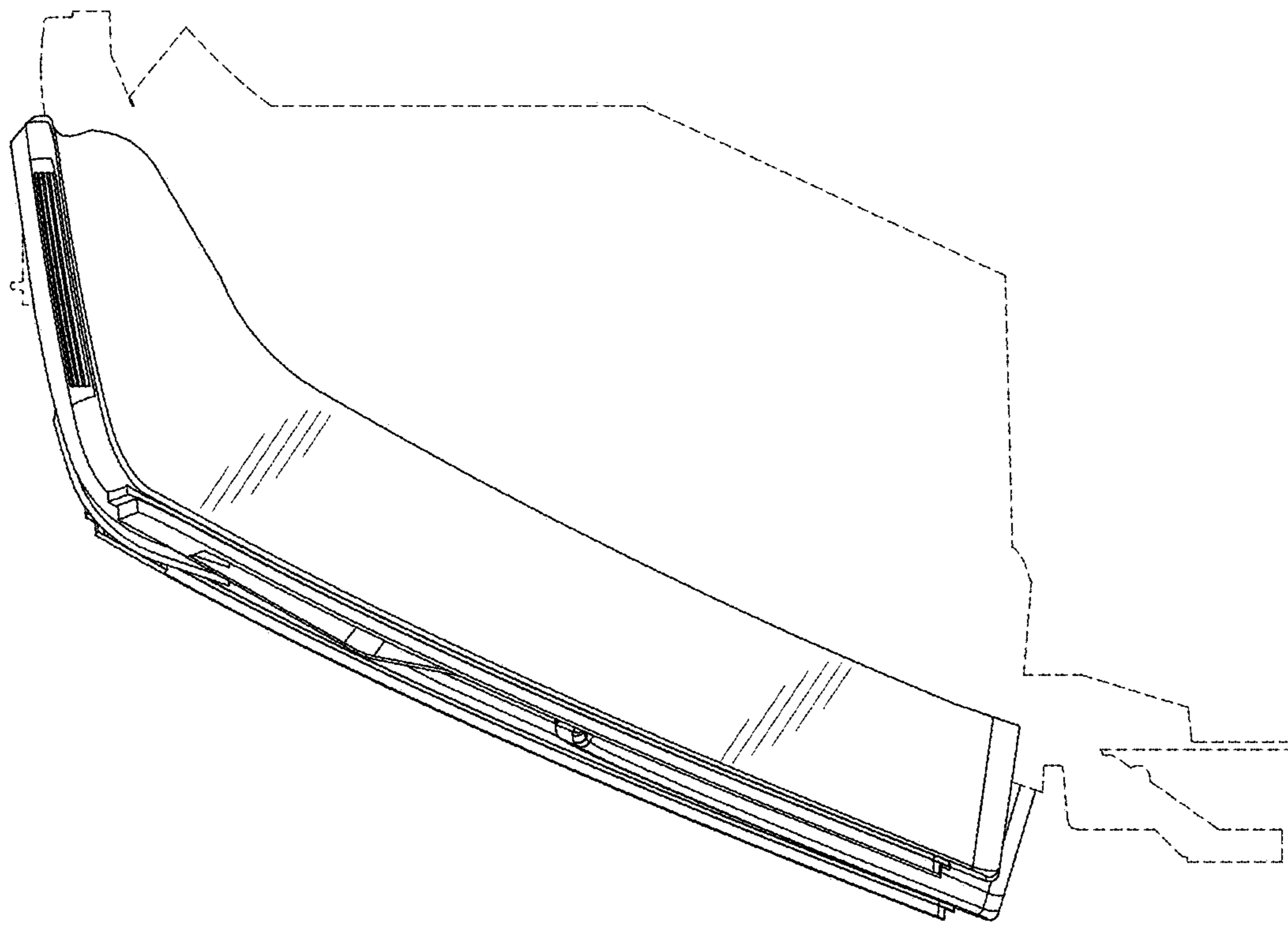


FIG. 6

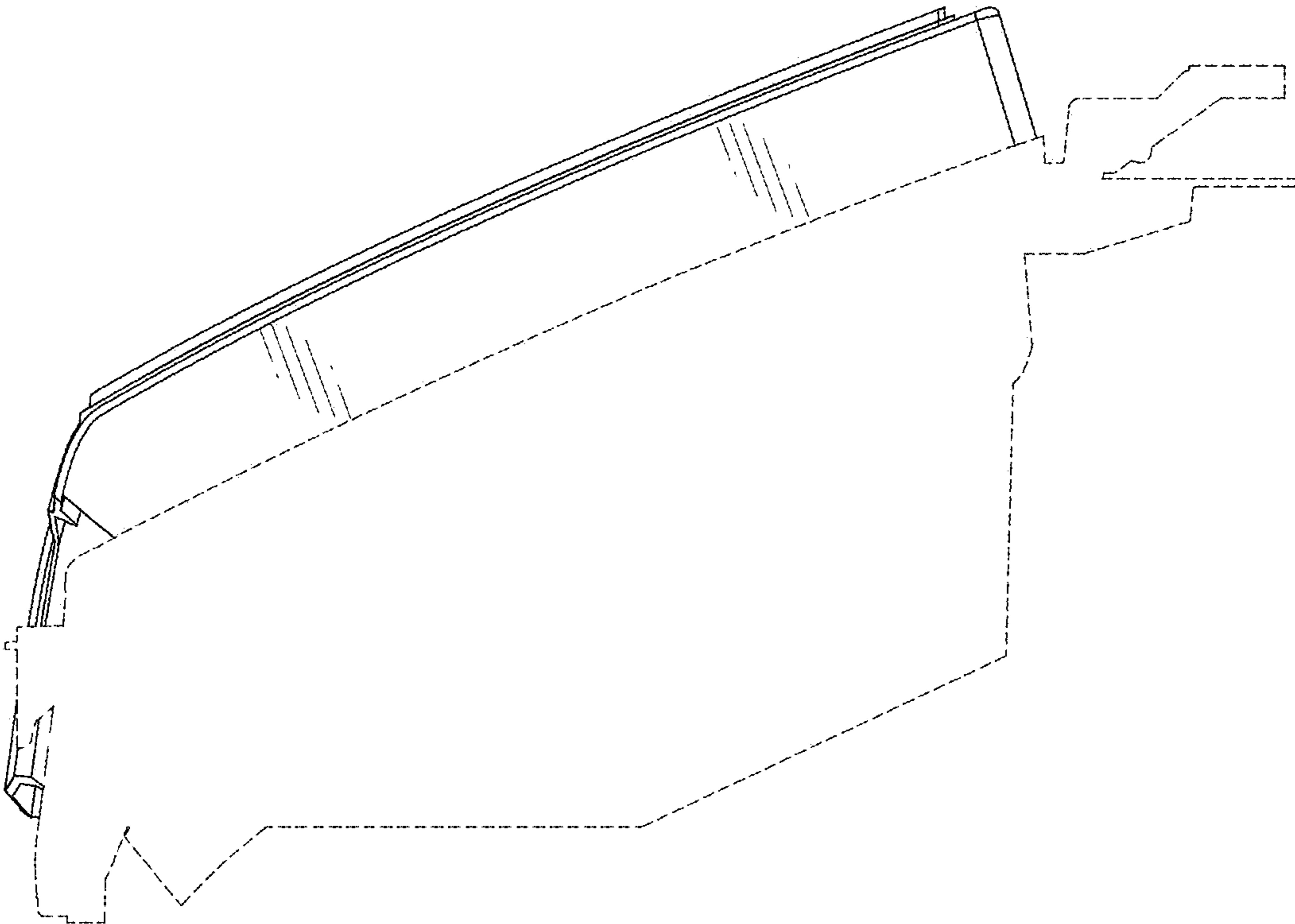


FIG. 7