



US00D933265S

(12) **United States Design Patent** (10) **Patent No.:** **US D933,265 S**
Lan et al. (45) **Date of Patent:** **** Oct. 12, 2021**

(54) **LED LAMP**

(71) Applicant: **SHENZHEN GUANKE TECHNOLOGIES CO., LTD,**
Shenzhen (CN)

(72) Inventors: **Qing Lan,** Shenzhen (CN); **Tianlong Dai,** Shenzhen (CN); **Ligen Liu,** Shenzhen (CN); **Shoubao Chen,** Shenzhen (CN); **Wenhao Lin,** Shenzhen (CN)

(73) Assignee: **SHENZHEN GUANKE TECHNOLOGIES CO., LTD,**
Shenzhen (CN)

(**) Term: **15 Years**

(21) Appl. No.: **29/731,744**

(22) Filed: **Apr. 17, 2020**

(30) **Foreign Application Priority Data**

Oct. 25, 2019 (CN) 201930584458.X

(51) **LOC (13) Cl.** **26-04**

(52) **U.S. Cl.**
USPC **D26/2**

(58) **Field of Classification Search**

USPC D26/1-11
CPC H01R 5/00; H01R 13/46; H01R 13/514;
H01R 31/048; H01R 31/02; H01J 5/00;
H01J 5/16; H01J 1/02; H01J 15/00; H01J
5/48; H01J 5/50; H01J 19/54; F21V 5/00;
F21K 9/00; F21K 13/00

See application file for complete search history.

(56) **References Cited**

U.S. PATENT DOCUMENTS

D546,980 S * 7/2007 Lo D26/2
D621,973 S * 8/2010 Grajcar D26/2

D629,929 S * 12/2010 Chen D26/2
D663,051 S * 7/2012 Xu D26/2
D701,980 S * 4/2014 Ke D26/2
D741,517 S * 10/2015 Hwang D26/2
D742,557 S * 11/2015 Yoshizawa D26/2
D755,414 S * 5/2016 Taylor D26/2
D755,415 S * 5/2016 Taylor D26/2

* cited by examiner

Primary Examiner — Marcus A Jackson

(74) *Attorney, Agent, or Firm* — Maier & Maier, PLLC

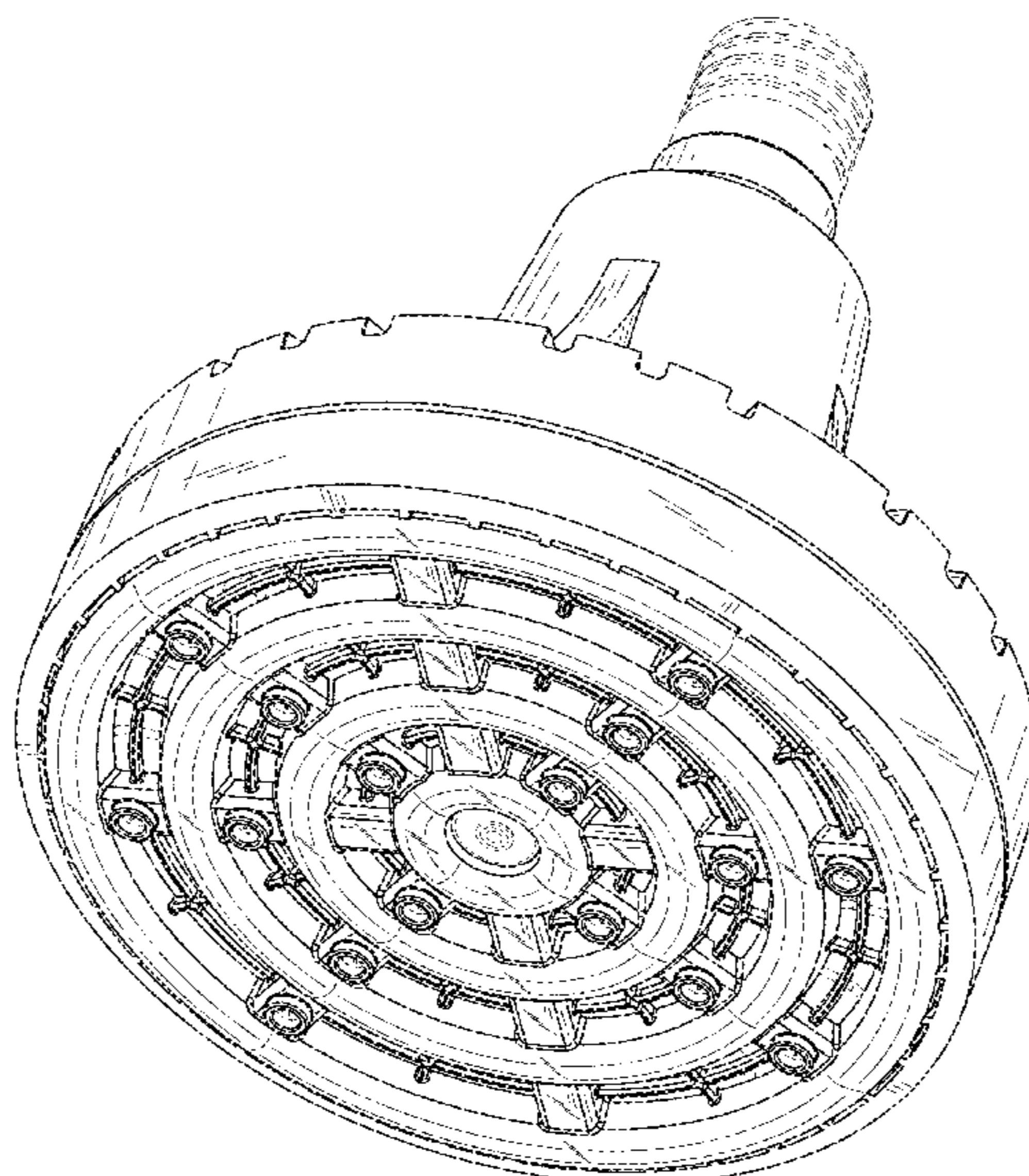
(57) **CLAIM**

The ornamental design for an LED lamp, as shown and described.

DESCRIPTION

FIG. 1 is a bottom view of a first embodiment of an LED lamp, showing our design;
FIG. 2 is a top view thereof;
FIG. 3 is a left side view thereof;
FIG. 4 is a right side view thereof;
FIG. 5 is a rear view thereof;
FIG. 6 is a front view thereof;
FIG. 7 is a rear perspective view thereof;
FIG. 8 is a front perspective view thereof;
FIG. 9 is a bottom view of a second embodiment of an LED lamp, showing our design;
FIG. 10 is a top view thereof;
FIG. 11 is a left side view thereof;
FIG. 12 is a right side view thereof;
FIG. 13 is a rear view thereof;
FIG. 14 is a front view thereof;
FIG. 15 is a rear perspective view thereof; and,
FIG. 16 is a front perspective view thereof.
The broken line showing in the Figures illustrates portions of the LED lamp and forms no part of the claimed design.

1 Claim, 16 Drawing Sheets



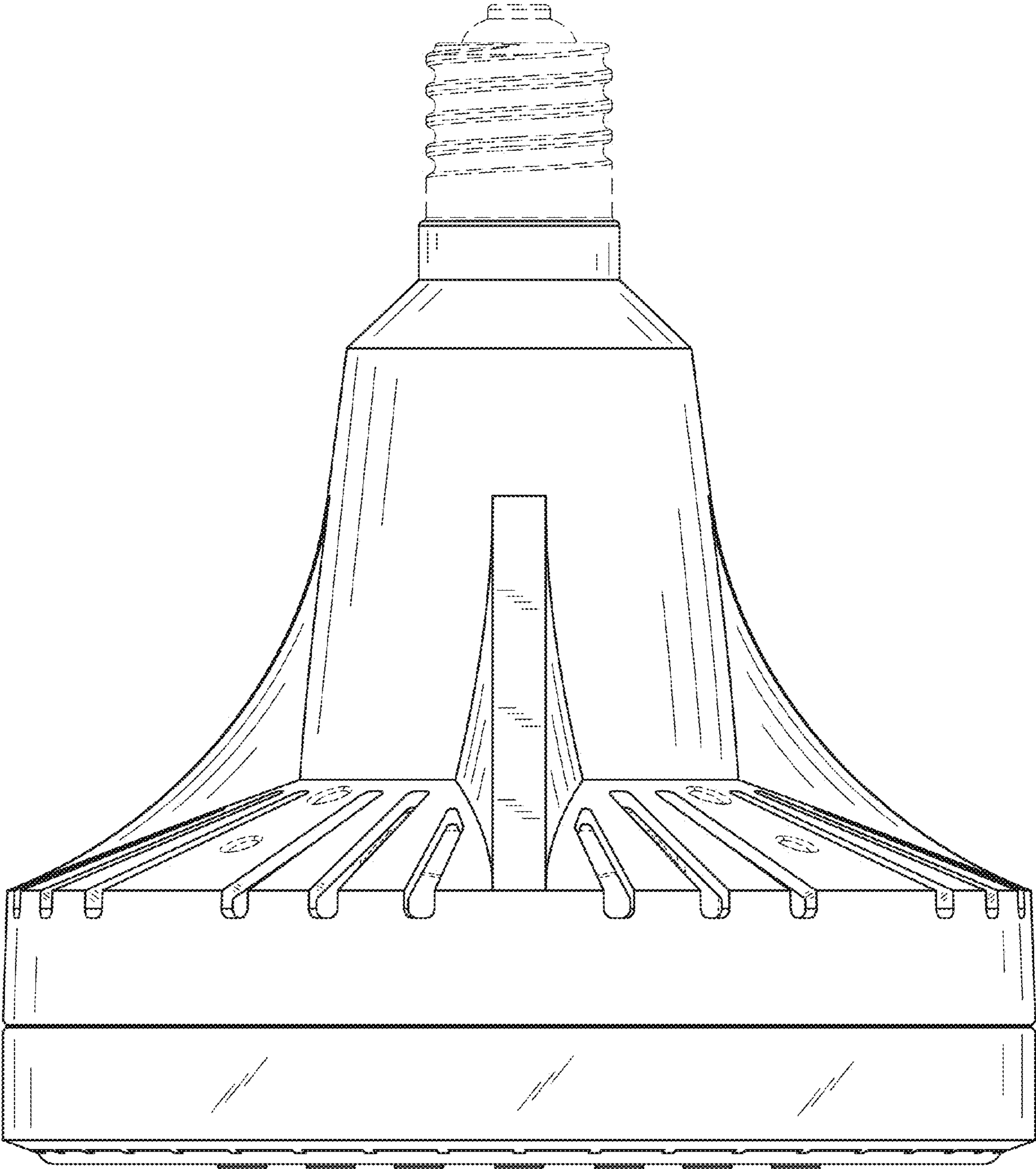


FIG. 1

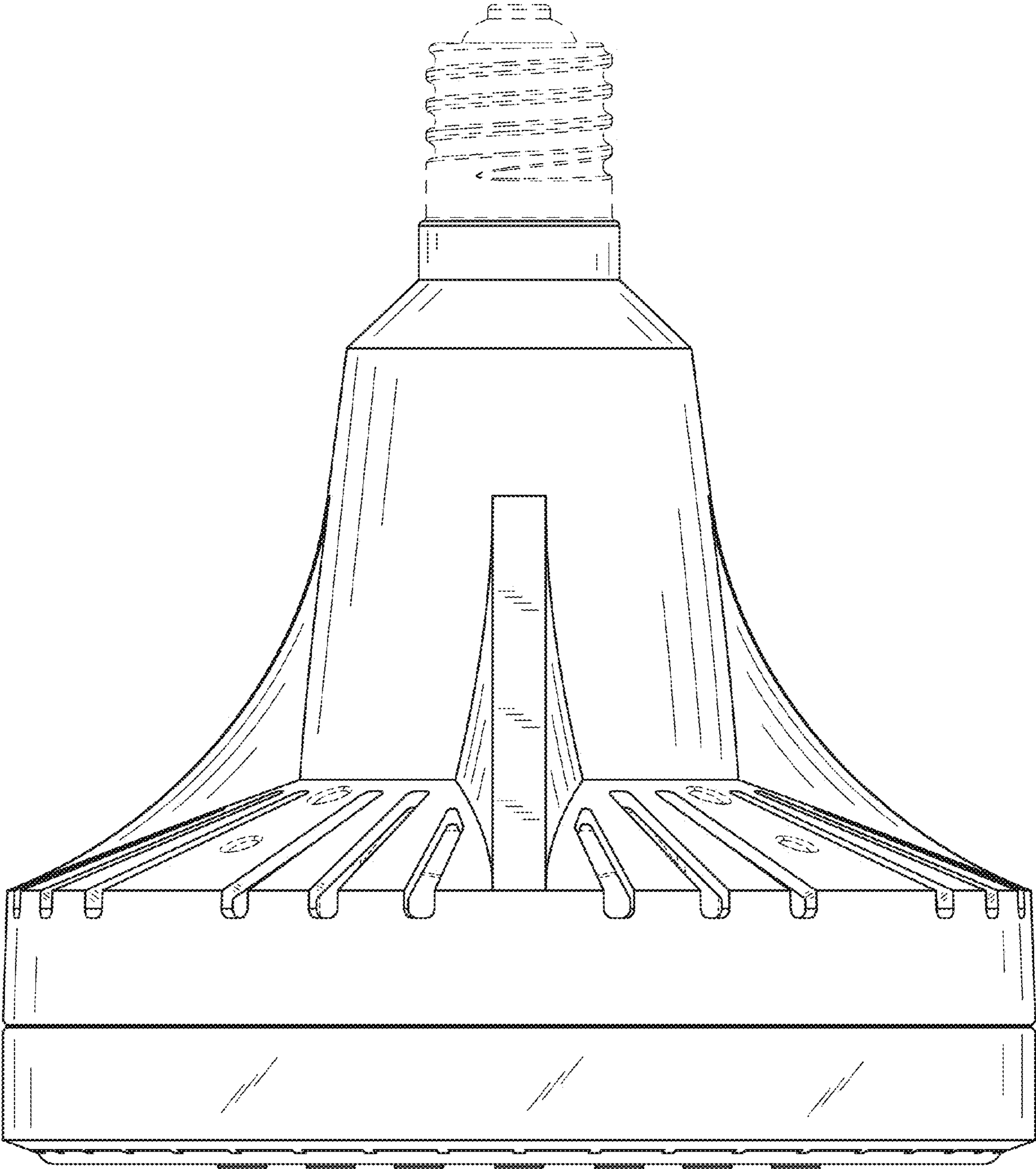


FIG. 2

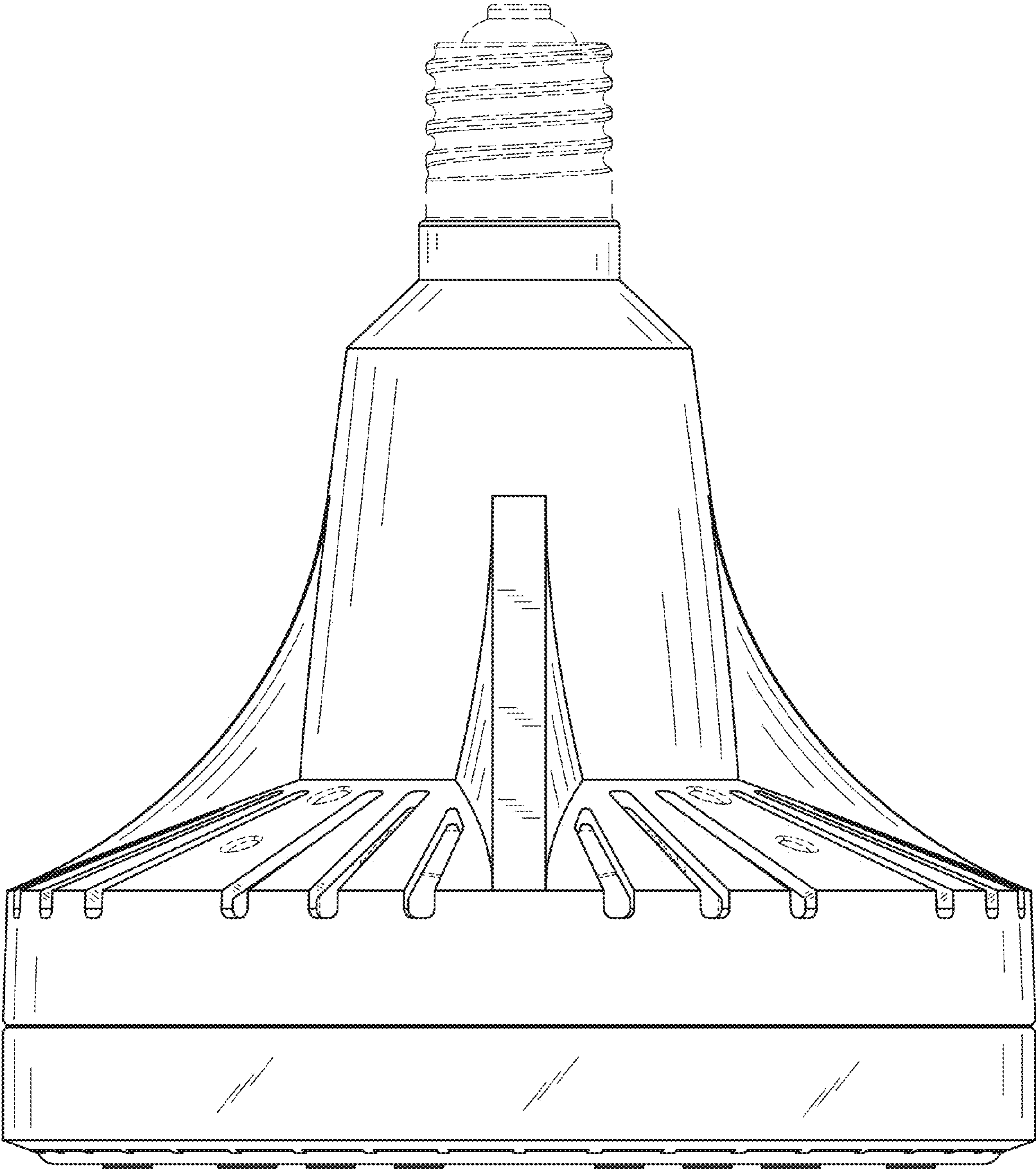


FIG. 3

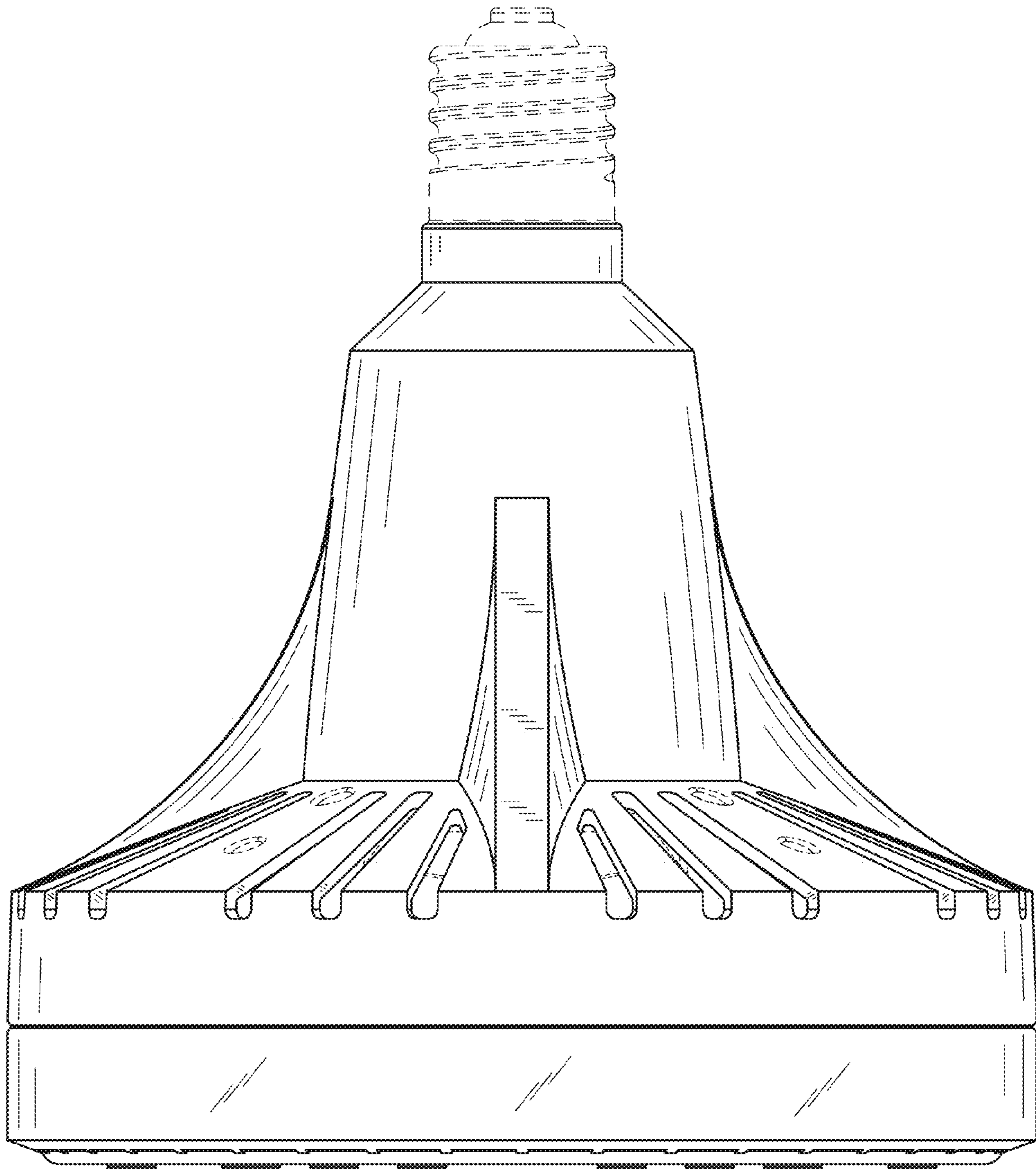


FIG. 4

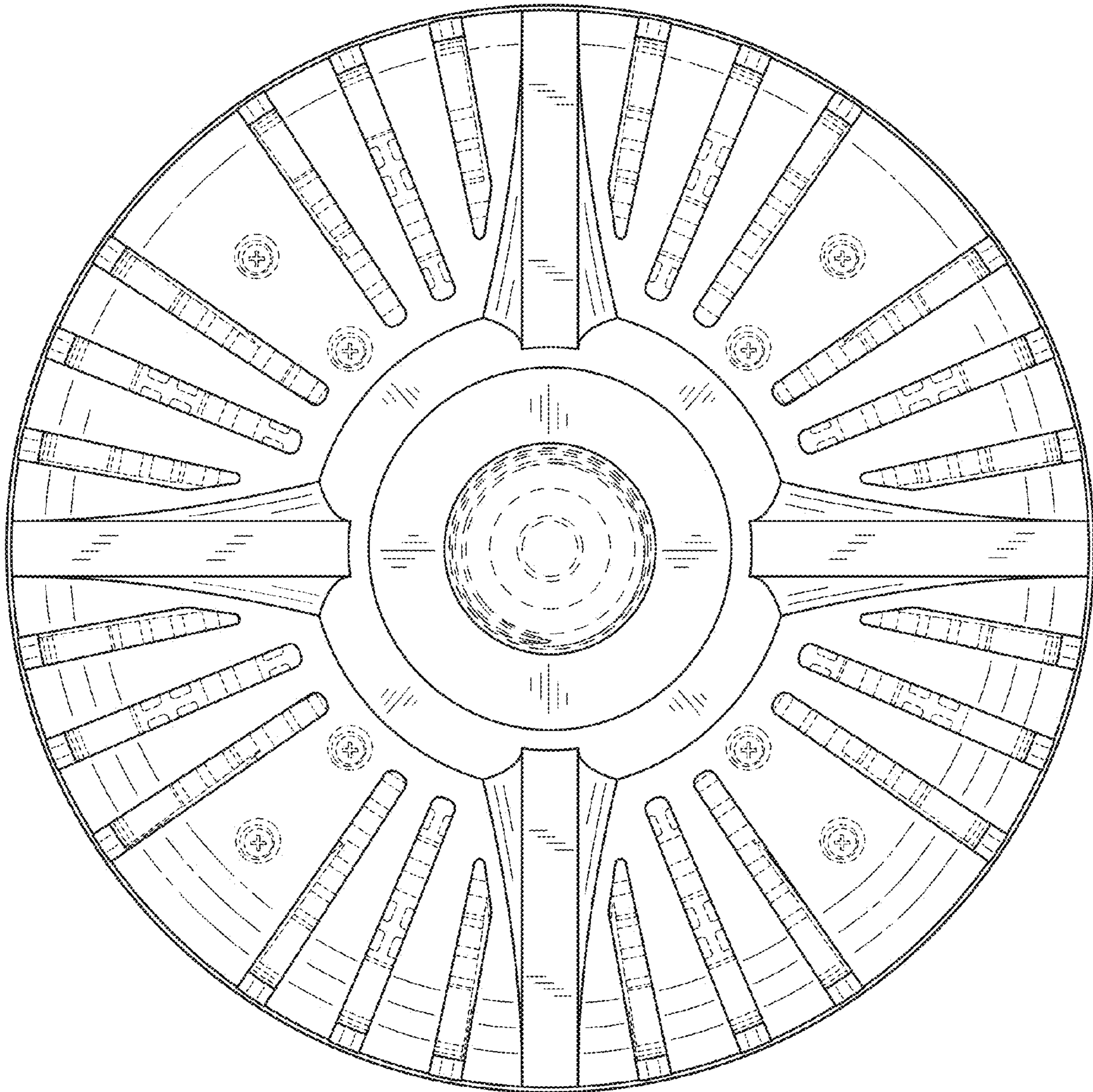


FIG. 5

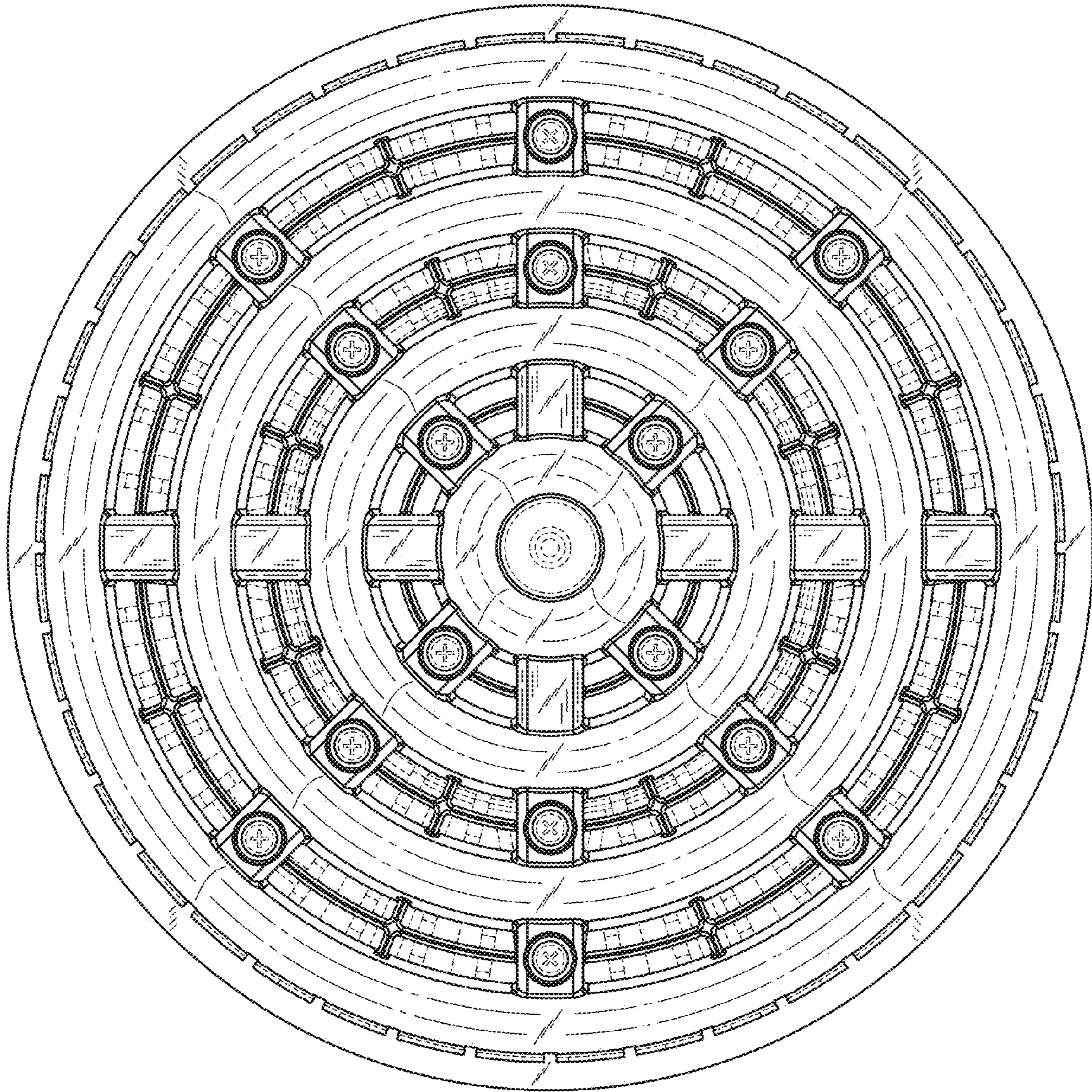


FIG. 6

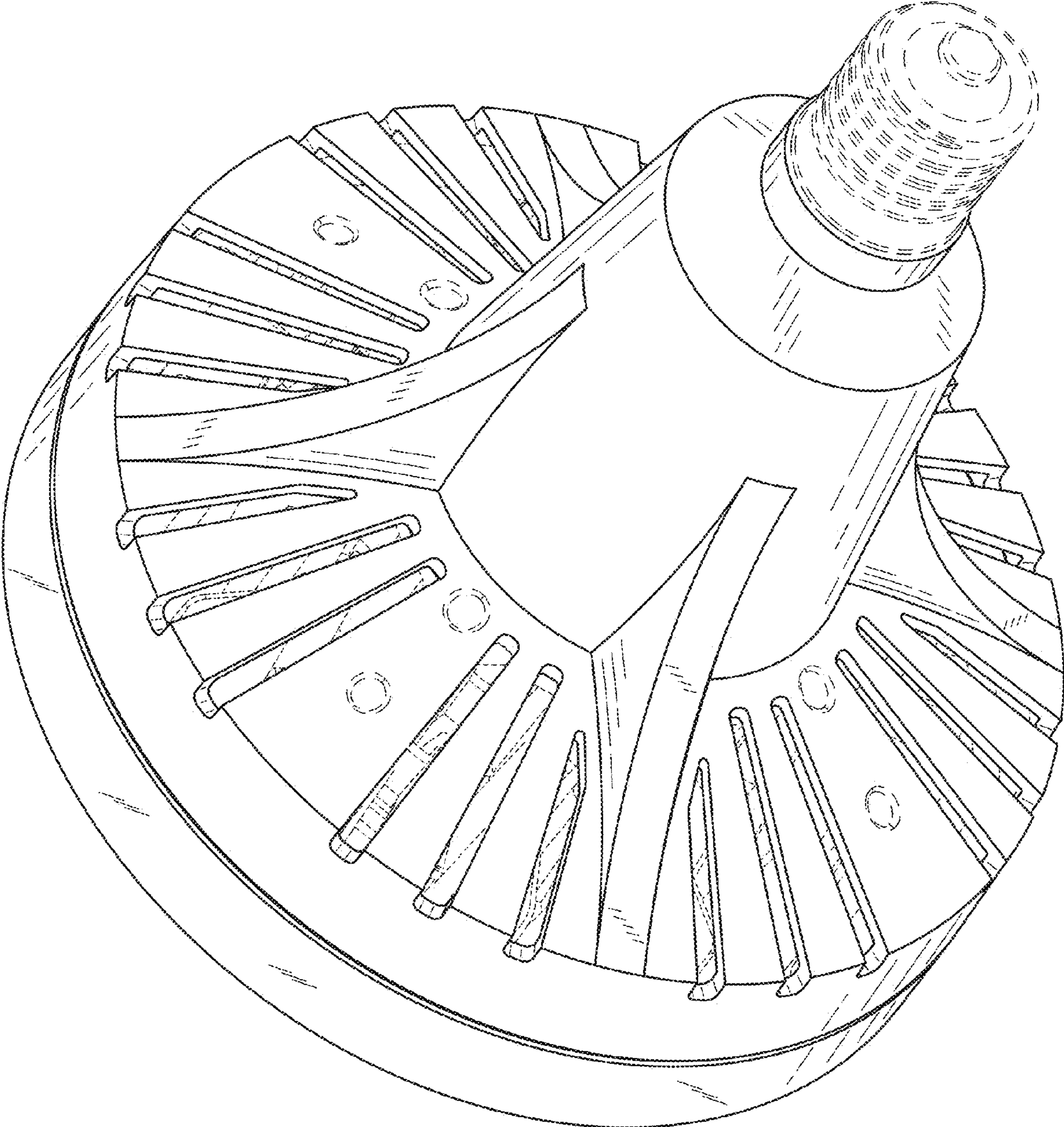


FIG. 7

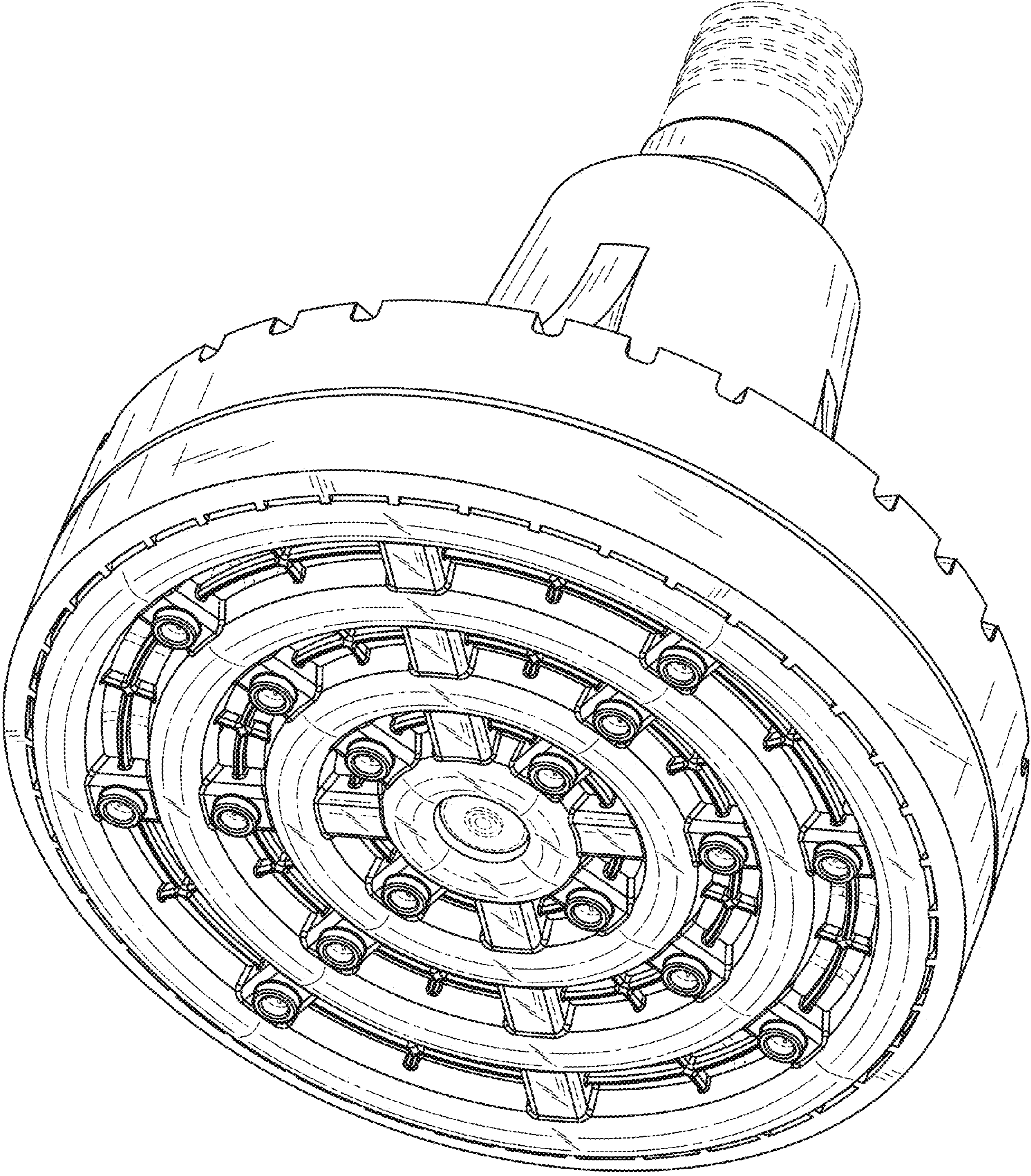


FIG. 8

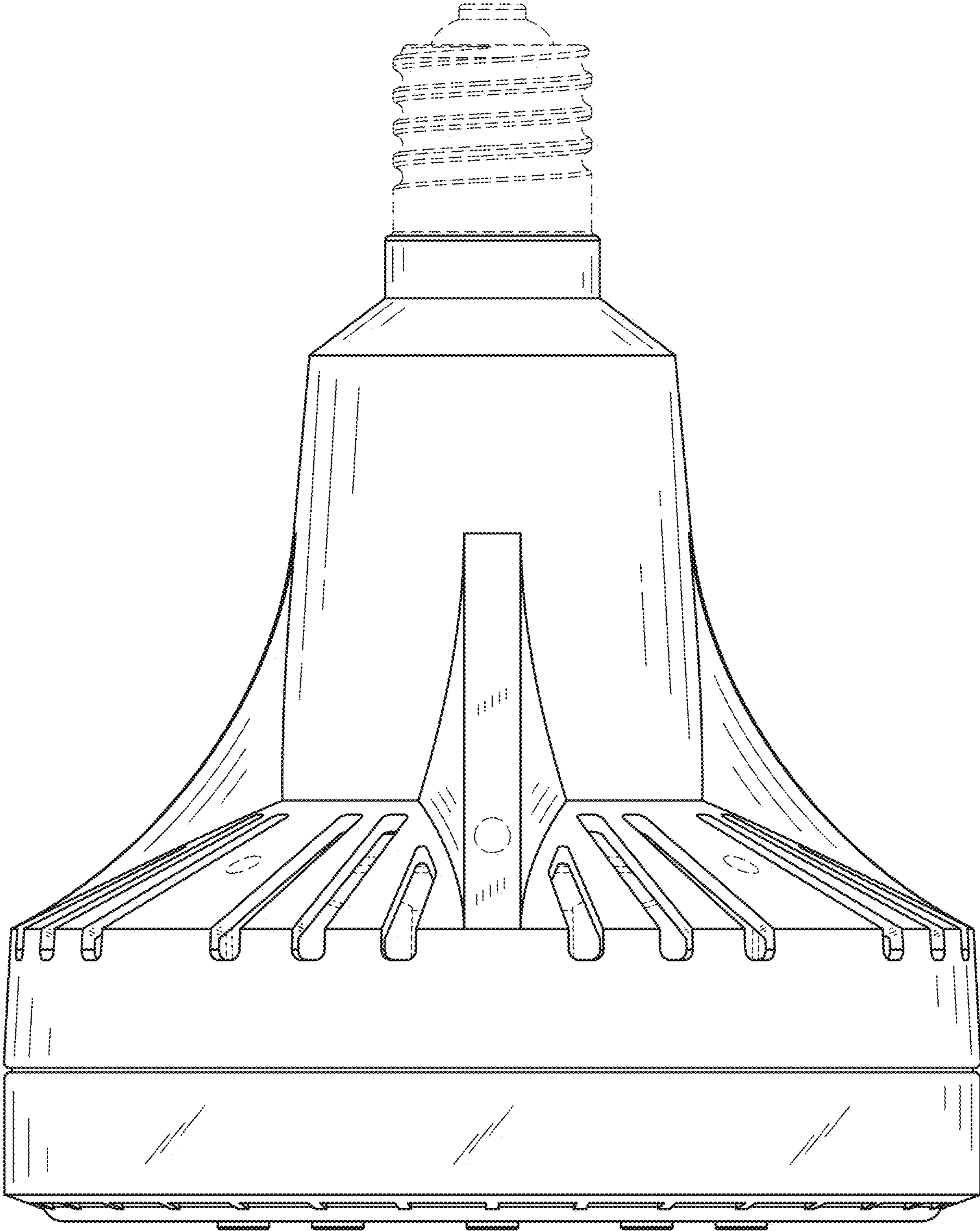


FIG. 9

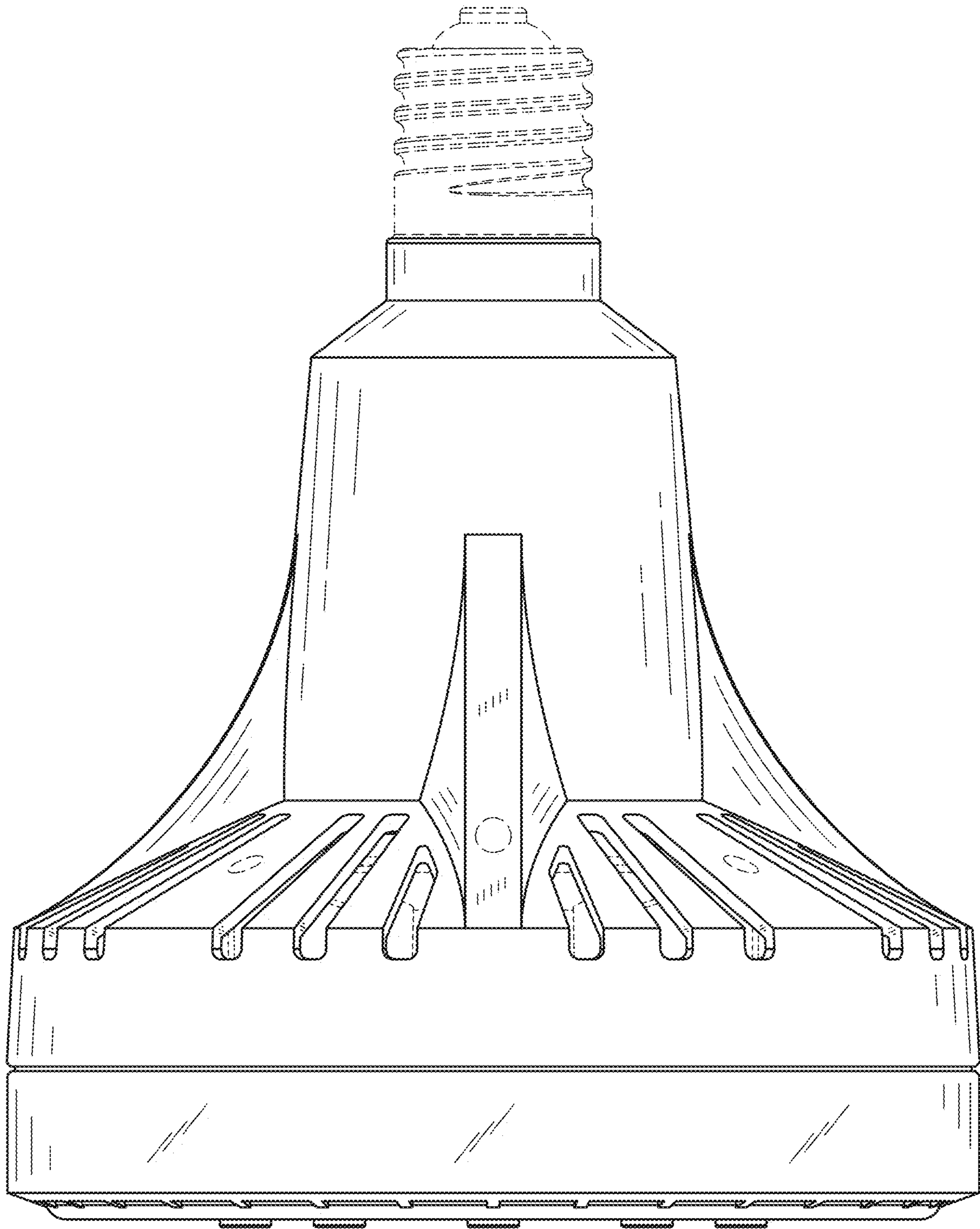


FIG. 10

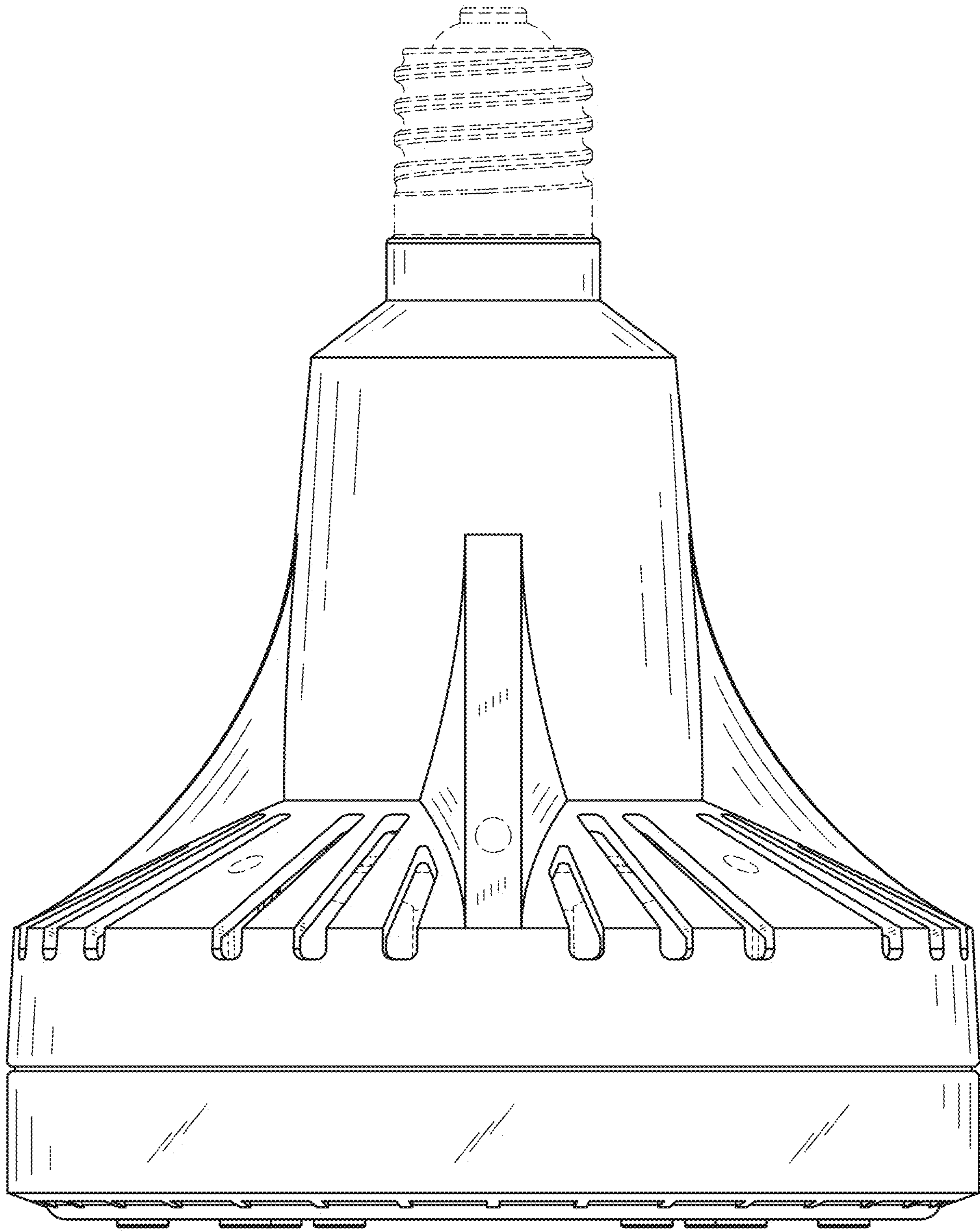


FIG. 11

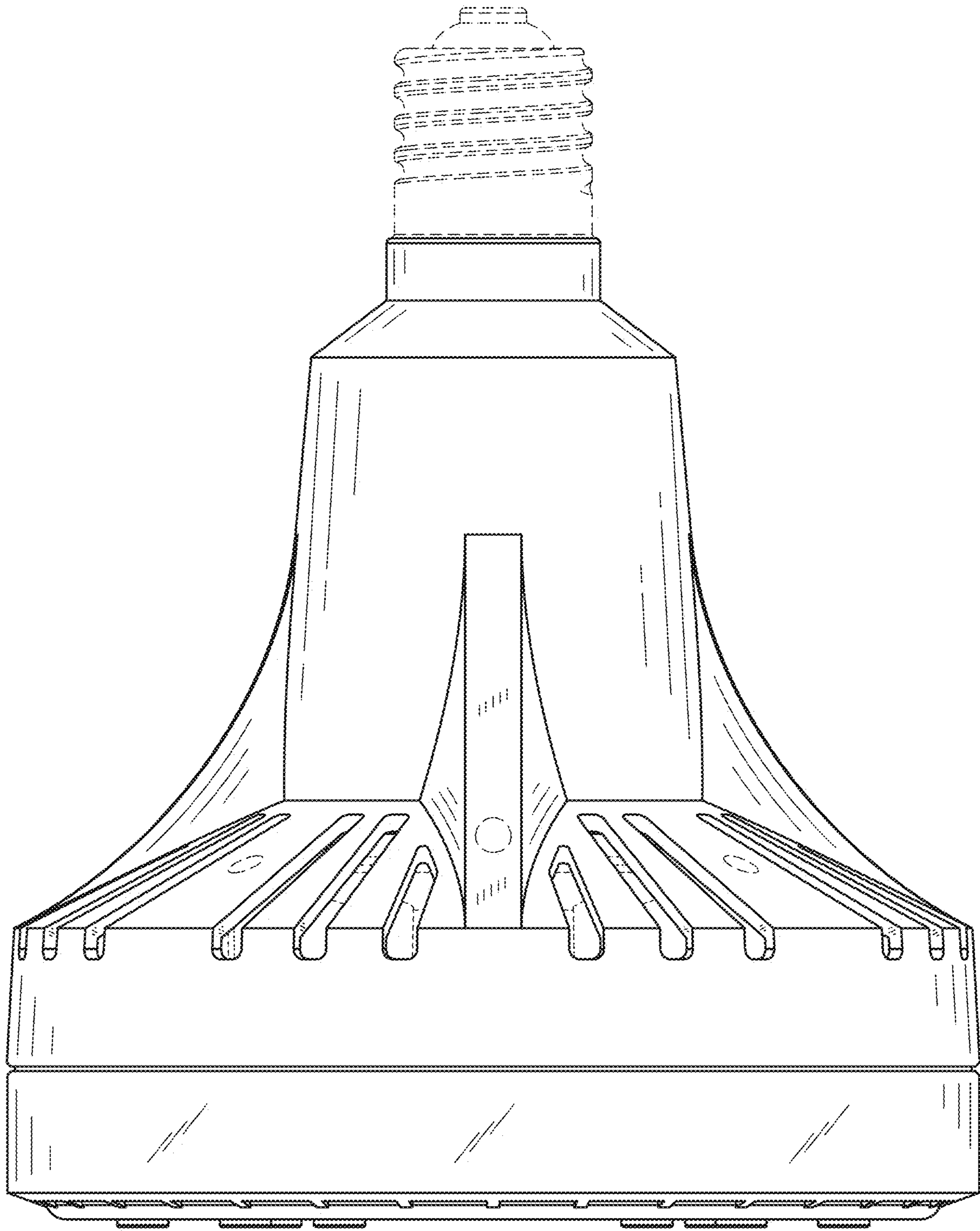


FIG. 12

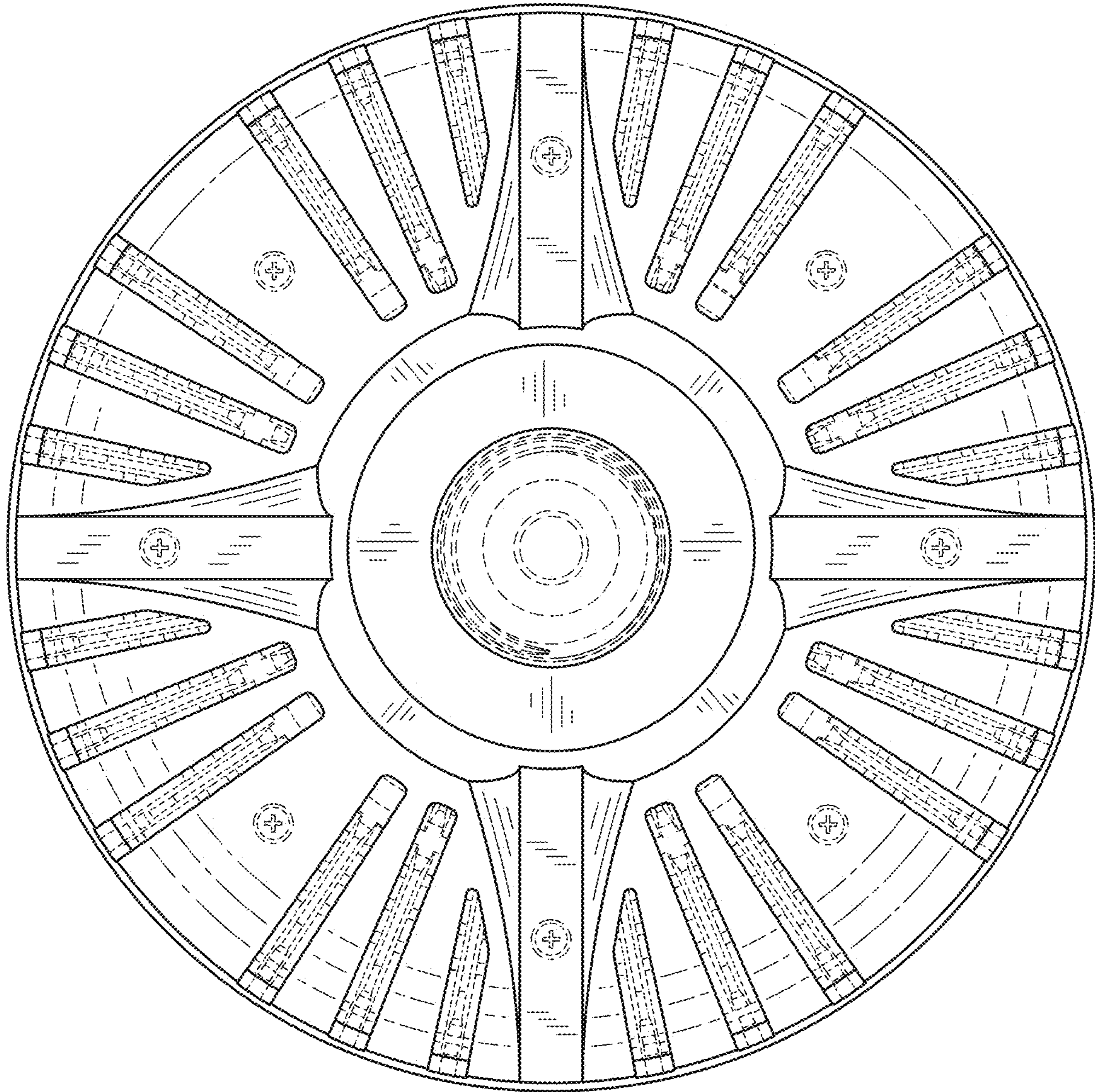


FIG. 13

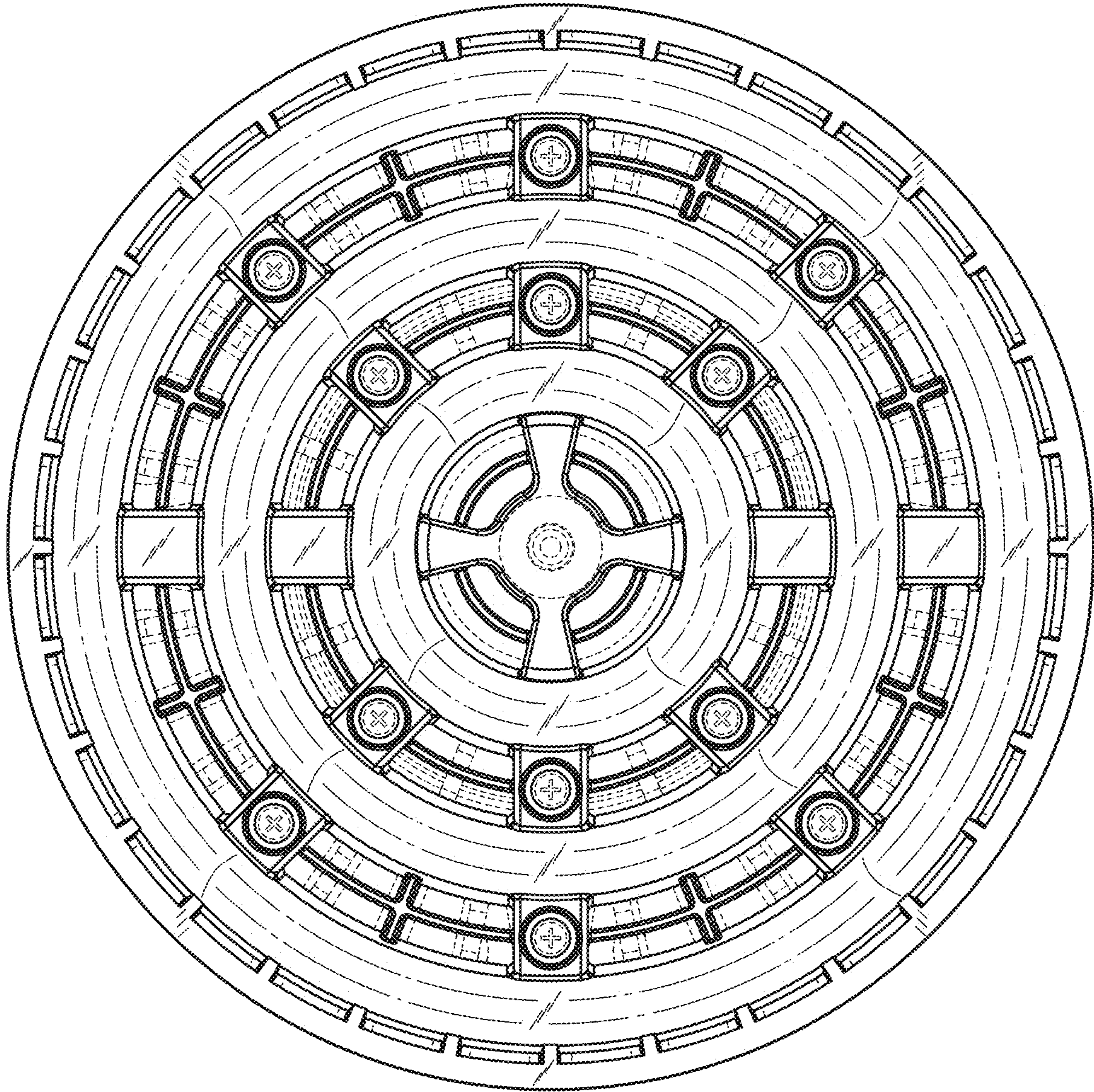


FIG. 14

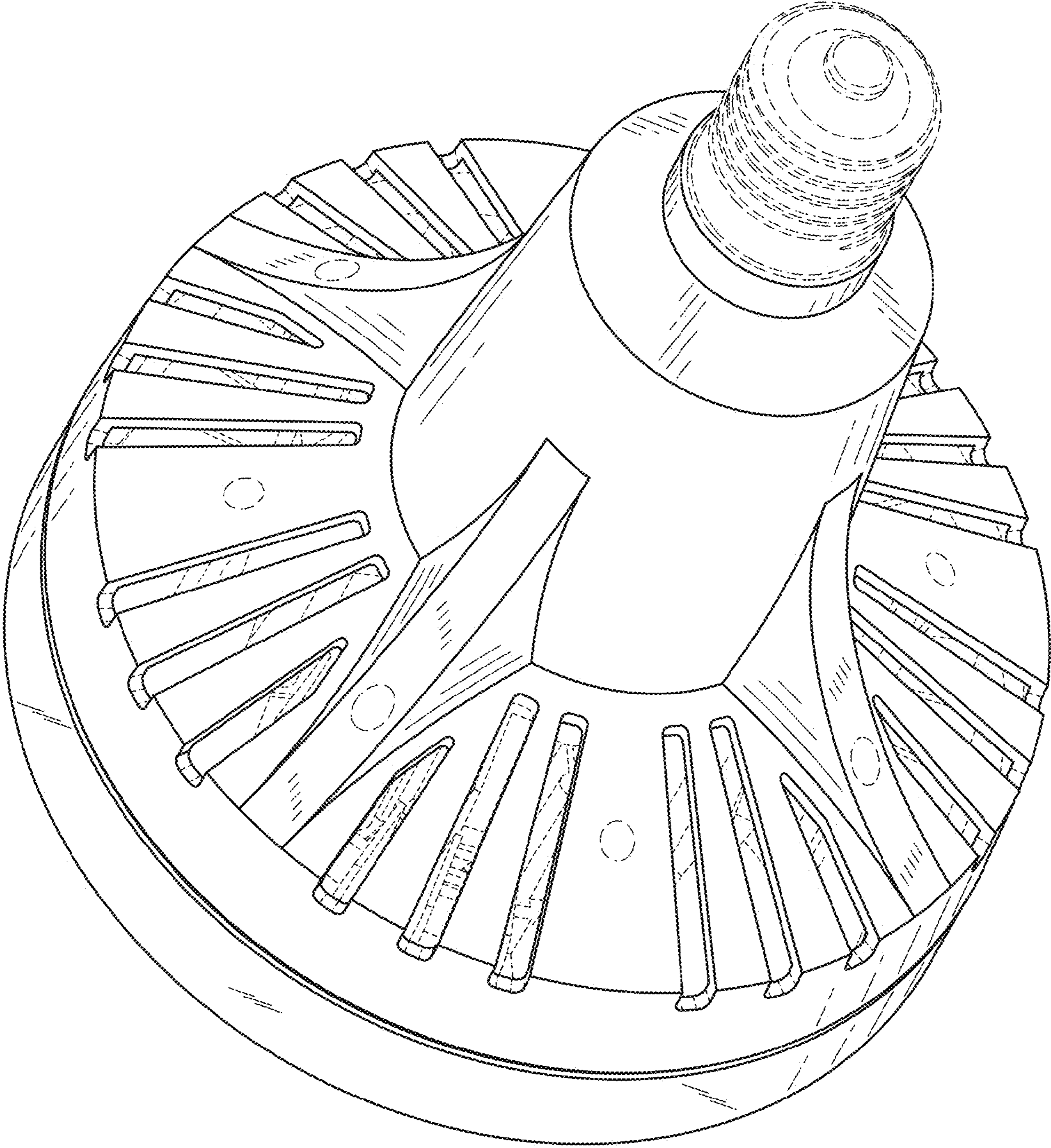


FIG. 15

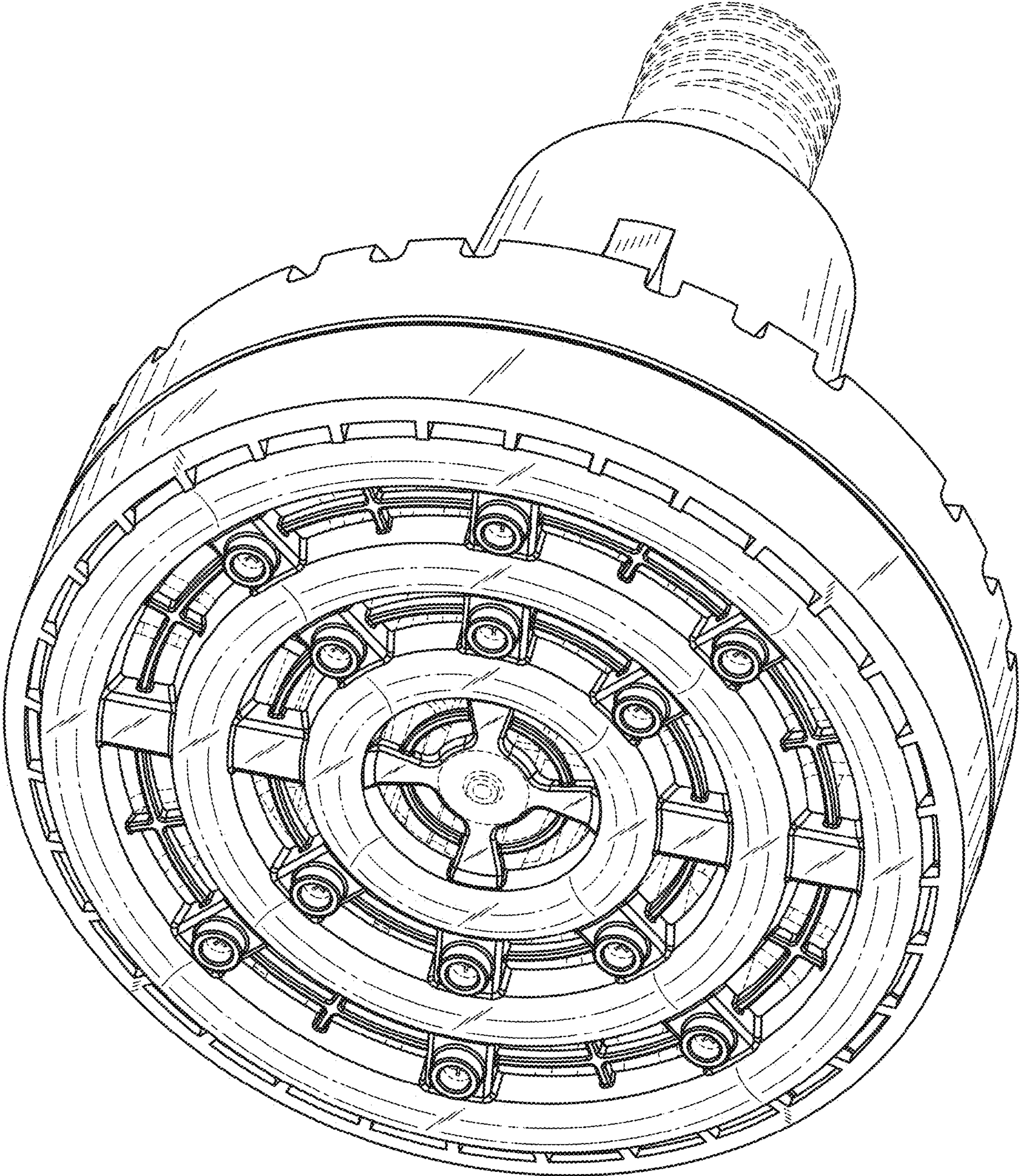


FIG. 16