

US00D933264S

(12) **United States Design Patent** (10) **Patent No.:** **US D933,264 S**
Lan et al. (45) **Date of Patent:** **** Oct. 12, 2021**

(54) **LED LAMP**

(56) **References Cited**

(71) Applicant: **SHENZHEN GUANKE TECHNOLOGIES CO., LTD.**, Shenzhen (CN)
(72) Inventors: **Qing Lan**, Shenzhen (CN); **Tianlong Dai**, Shenzhen (CN); **Ligen Liu**, Shenzhen (CN); **Shoubao Chen**, Shenzhen (CN); **Wenhao Lin**, Shenzhen (CN)

U.S. PATENT DOCUMENTS

D546,980 S	*	7/2007	Lo	D26/2
D621,973 S	*	8/2010	Grajcar	D26/2
D621,974 S	*	8/2010	Grajcar	D26/2
D628,720 S	*	12/2010	Wang	D26/2
D629,929 S	*	12/2010	Chen	D26/2
D742,557 S	*	11/2015	Yoshizawa	D26/2
D744,123 S	*	11/2015	Ooshima	D26/2
D755,415 S	*	5/2016	Taylor	D26/2
D768,316 S	*	10/2016	Fleming	D26/2

(73) Assignee: **SHENZHEN GUANKE TECHNOLOGIES CO., LTD.**, Shenzhen (CN)

* cited by examiner

Primary Examiner — Marcus A Jackson

(**) Term: **15 Years**

(74) *Attorney, Agent, or Firm* — Maier & Maier, PLLC

(21) Appl. No.: **29/731,742**

(57) **CLAIM**

(22) Filed: **Apr. 17, 2020**

The ornamental design for an LED lamp, as shown and described.

(30) **Foreign Application Priority Data**

DESCRIPTION

Oct. 25, 2019 (CN) 201930585014.8

(51) **LOC (13) Cl.** **26-04**

(52) **U.S. Cl.**
USPC **D26/2**

(58) **Field of Classification Search**
USPC D26/1-11
CPC H01R 5/00; H01R 13/46; H01R 13/514;
H01R 31/048; H01R 31/02; H01J 5/00;
H01J 5/16; H01J 1/02; H01J 15/00; H01J
5/48; H01J 5/50; H01J 19/54; F21V 5/00;
F21K 9/00; F21K 13/00

FIG. 1 is a bottom view of an LED lamp, showing our design;

FIG. 2 is a top view thereof;

FIG. 3 is a left side view thereof;

FIG. 4 is a right side view thereof;

FIG. 5 is a rear view thereof;

FIG. 6 is a front view thereof;

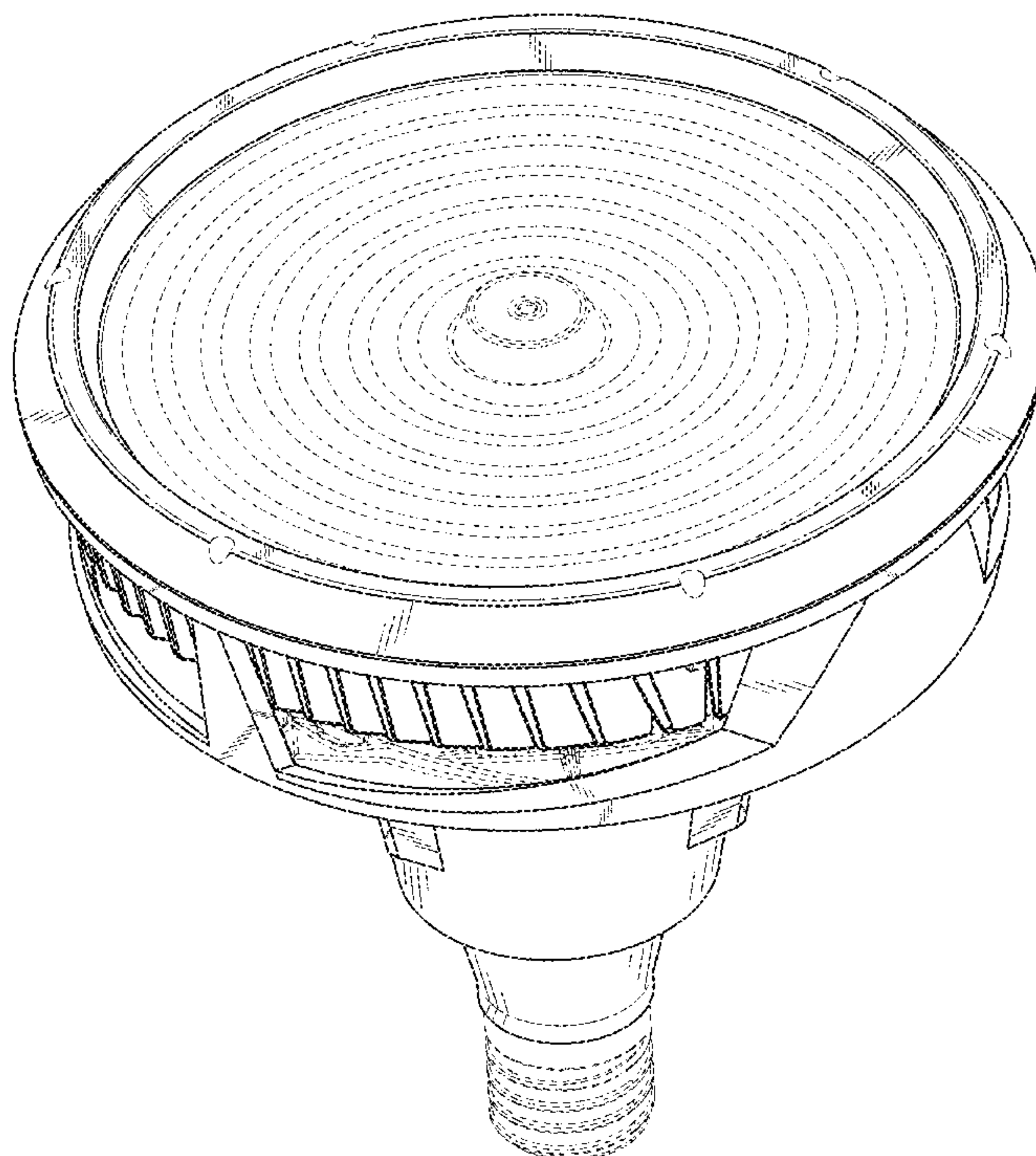
FIG. 7 is a rear perspective view thereof; and,

FIG. 8 is a front perspective view thereof.

The broken line showing in the Figures illustrates portions of the LED lamp and forms no part of the claimed design.

See application file for complete search history.

1 Claim, 8 Drawing Sheets



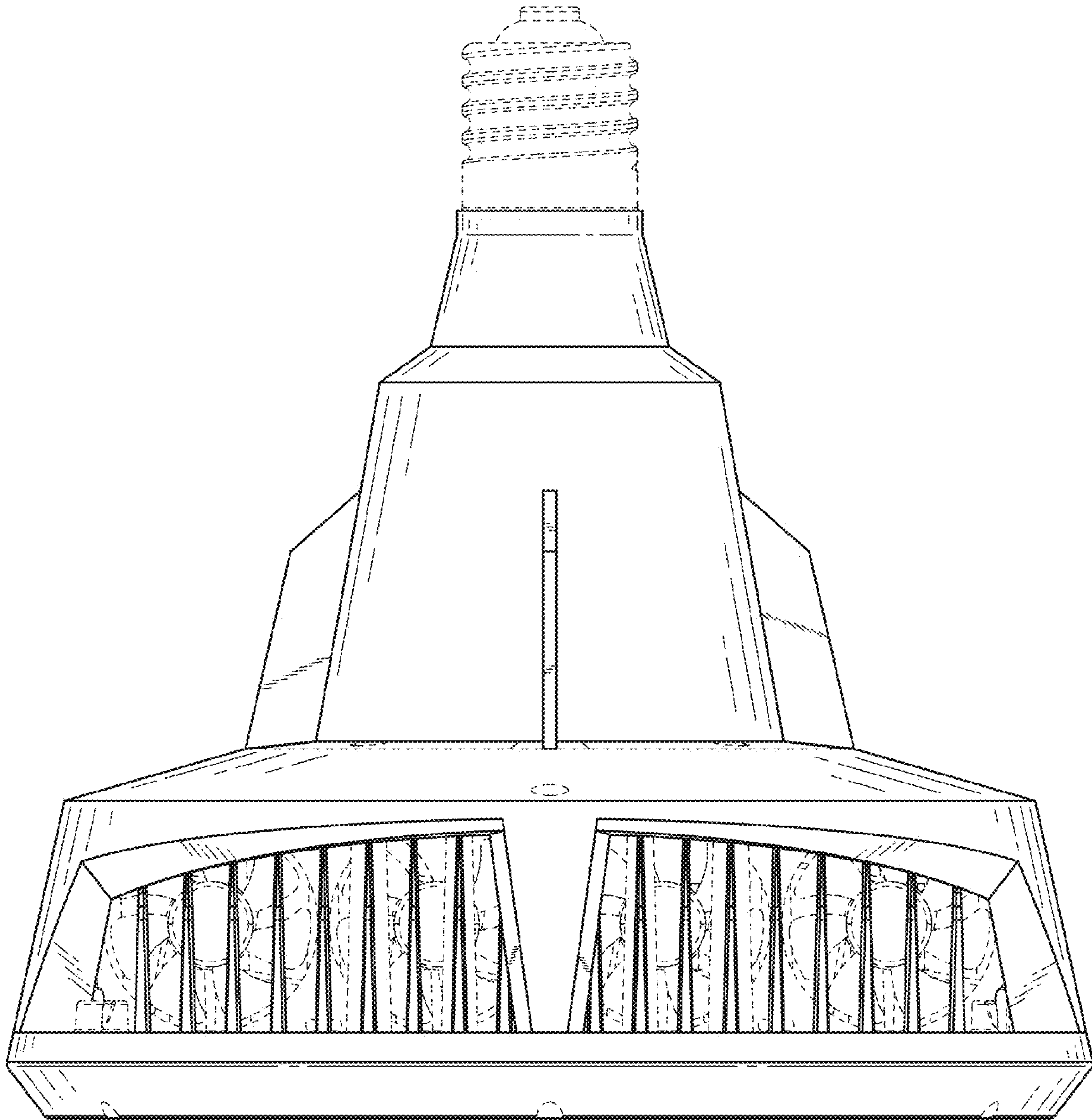


FIG. 1

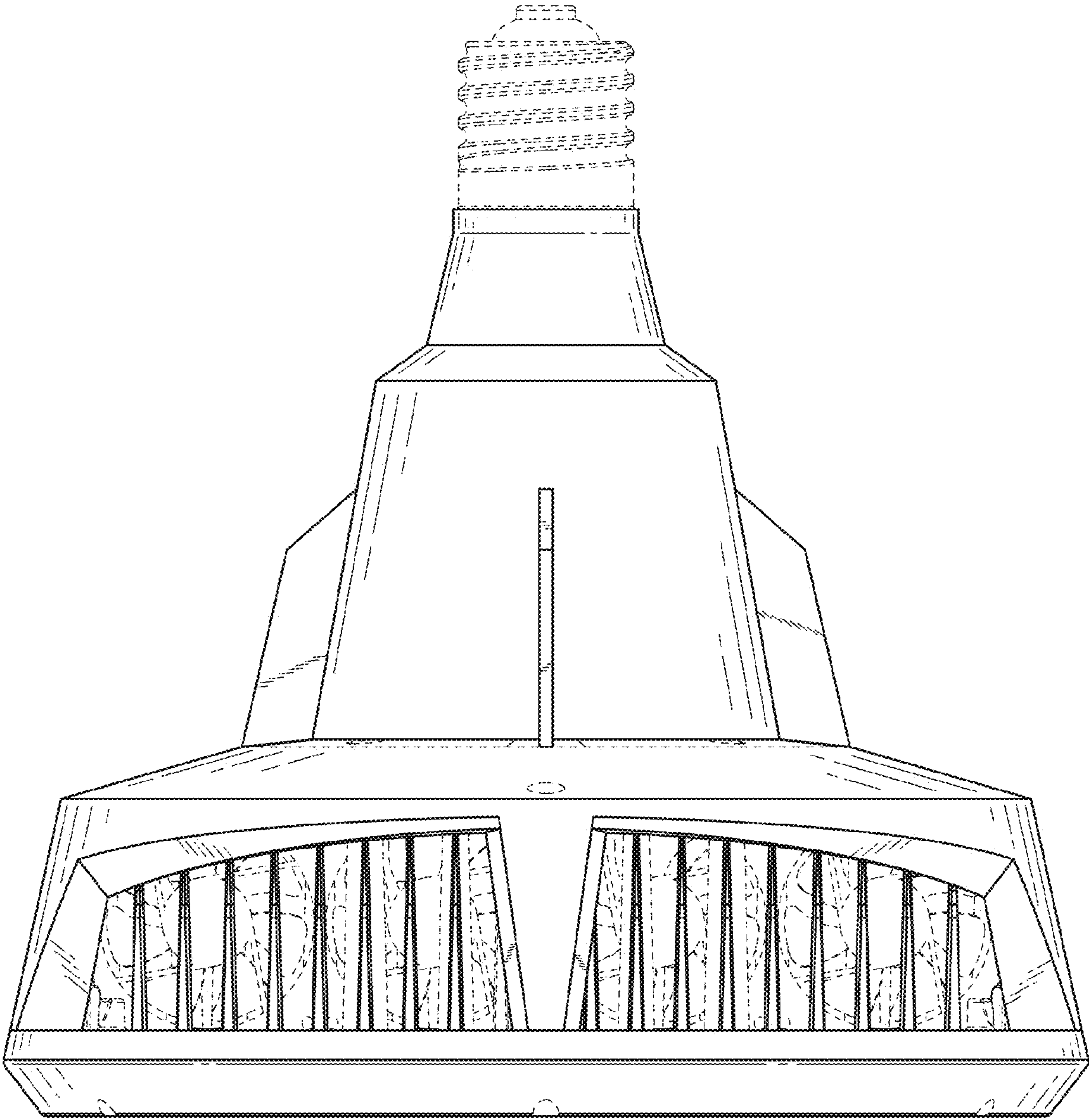


FIG. 2

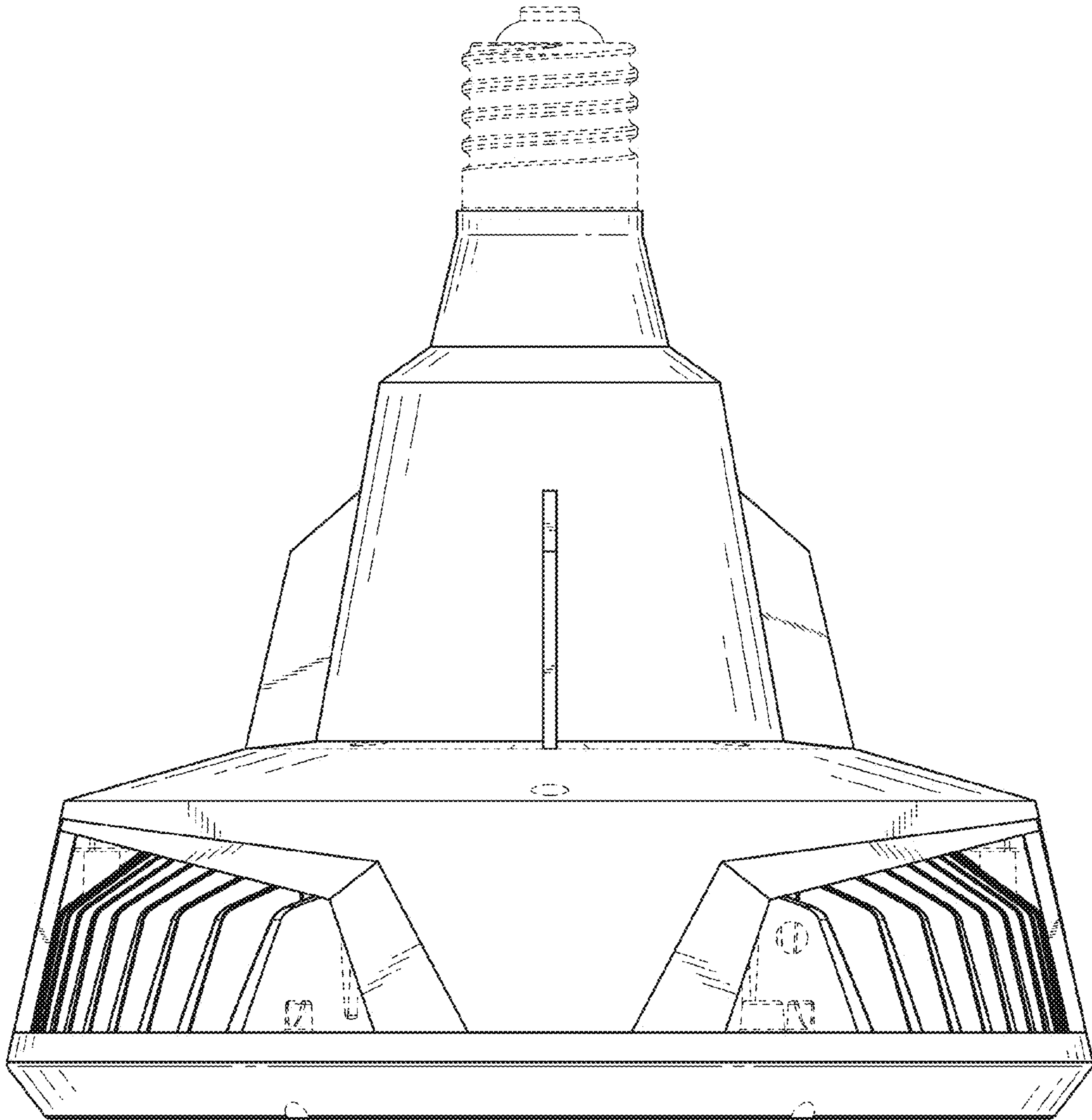


FIG. 3

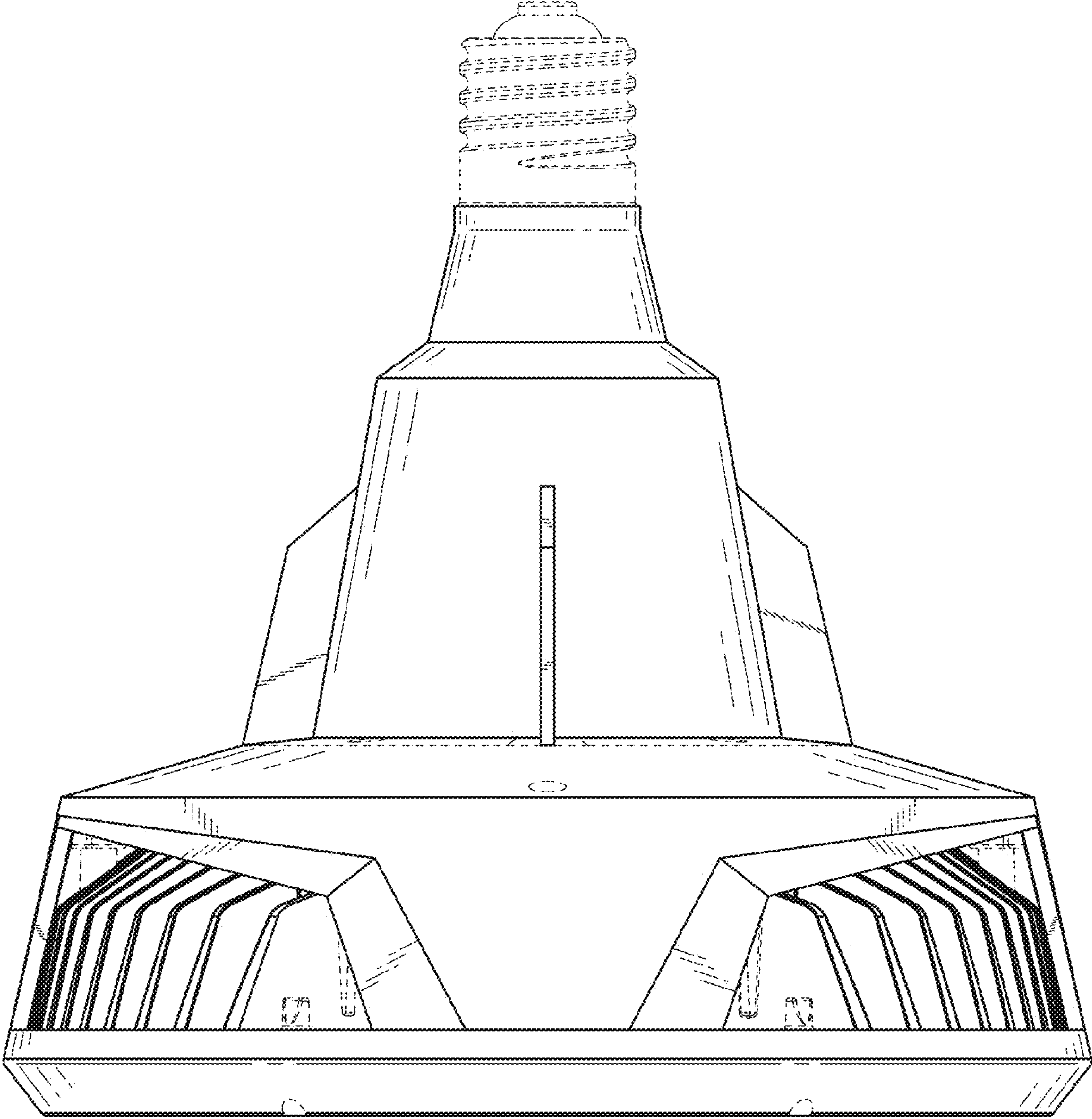


FIG. 4

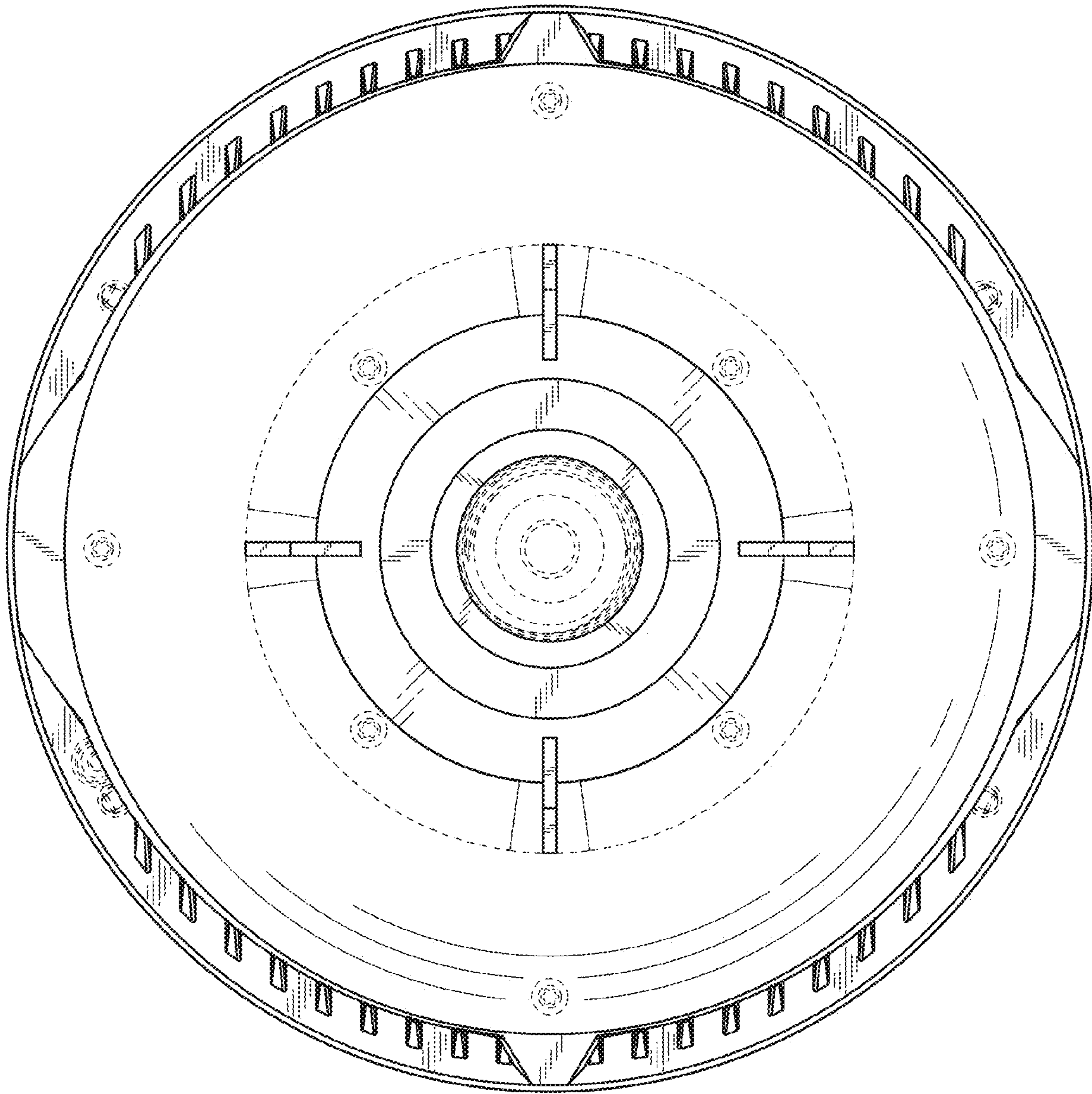


FIG. 5

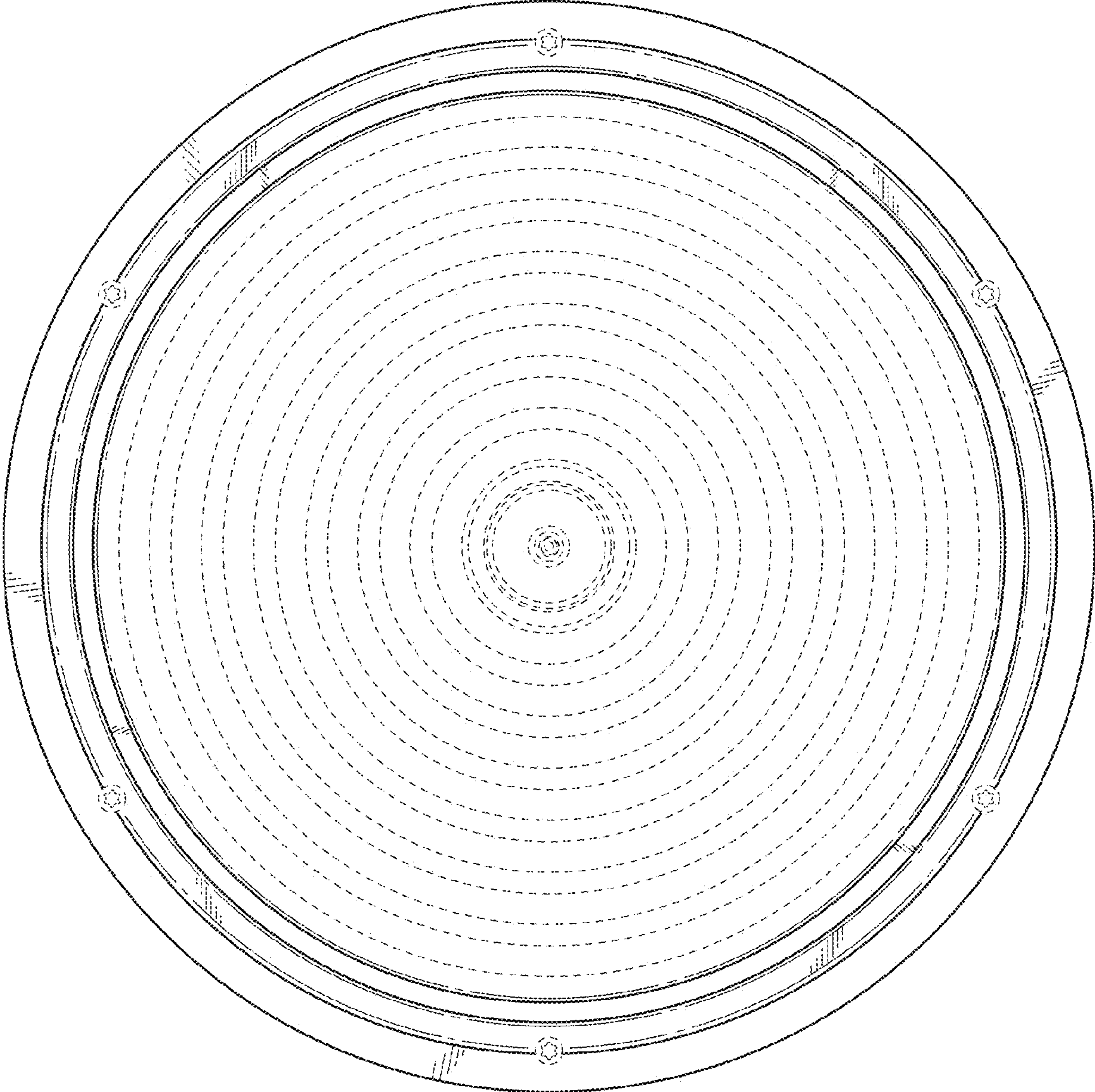


FIG. 6

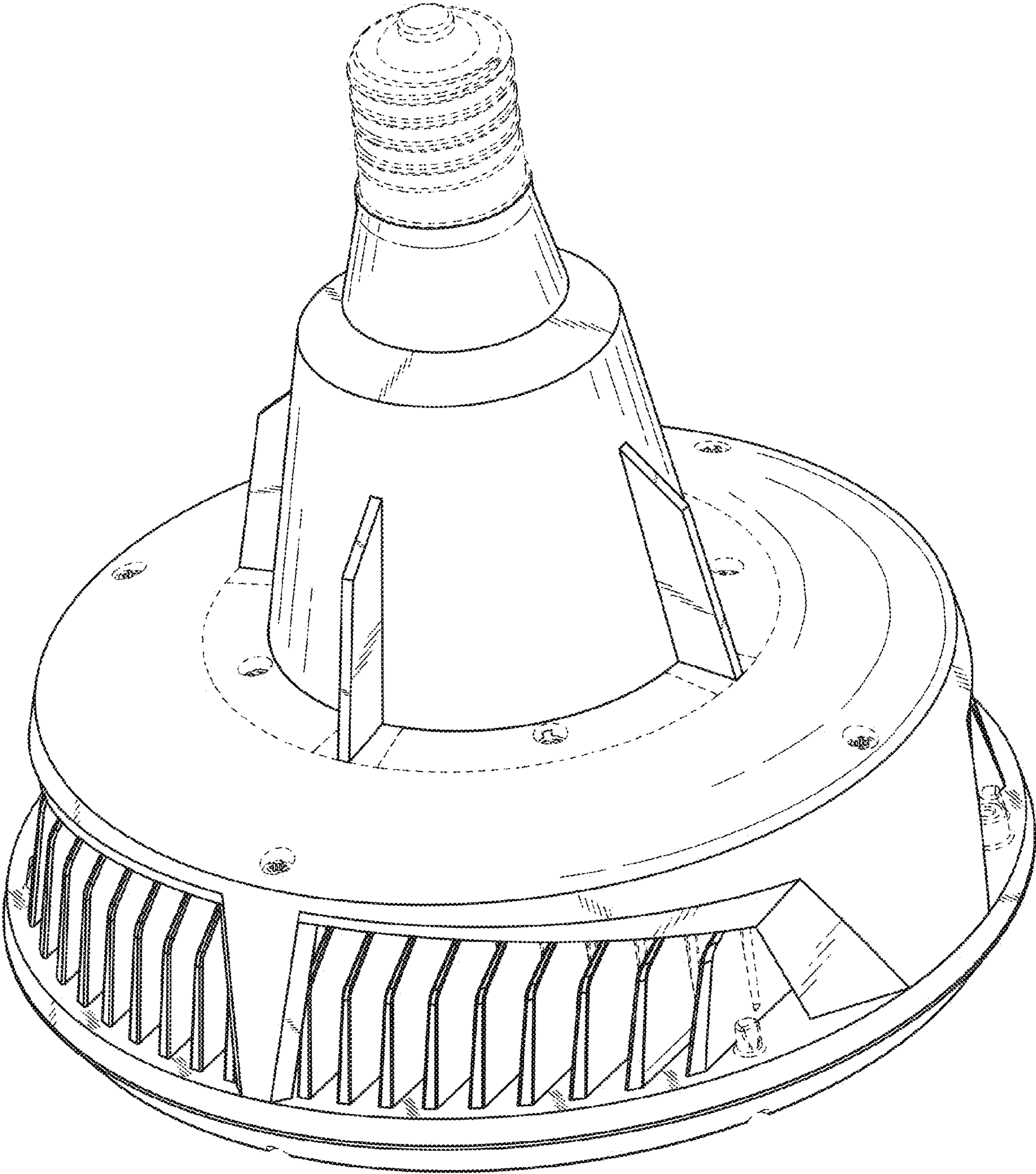


FIG. 7

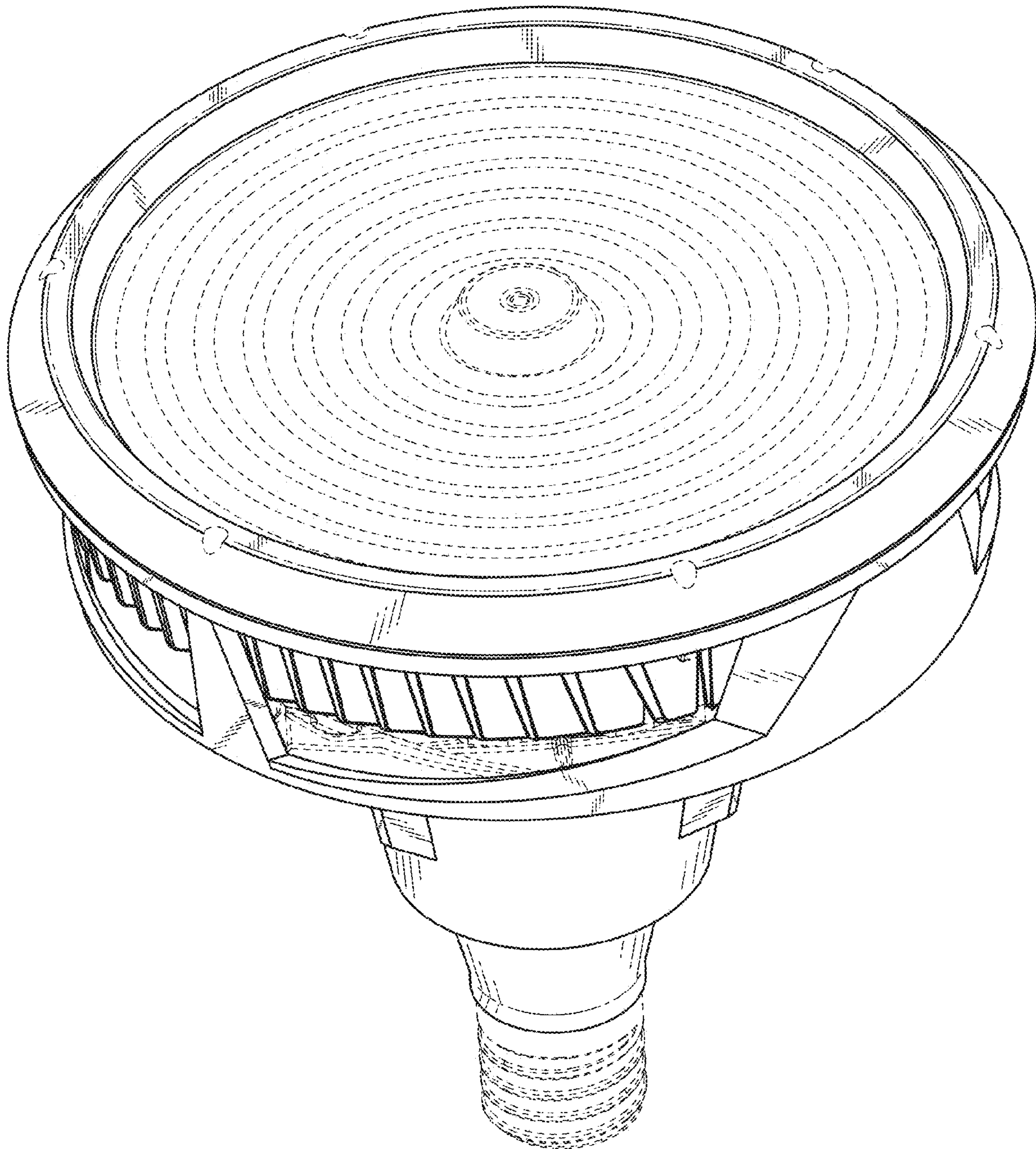


FIG. 8