



US00D933259S

(12) **United States Design Patent** (10) **Patent No.:** **US D933,259 S**  
**Kistner et al.** (45) **Date of Patent:** **\*\* Oct. 12, 2021**

(54) **TRELLIS**  
(71) Applicant: **Tyler Madison, Inc.**, Apple Valley, MN (US)  
(72) Inventors: **Tyler Kistner**, Apple Valley, MN (US); **Joel Greenblatt**, Apple Valley, MN (US)  
(73) Assignee: **TYLER MADISON, INC.**, Apple Valley, MN (US)  
(\*\*) Term: **15 Years**  
(21) Appl. No.: **29/693,704**  
(22) Filed: **Jun. 4, 2019**  
(51) **LOC (13) Cl.** ..... **25-02**  
(52) **U.S. Cl.**  
USPC ..... **D25/100**  
(58) **Field of Classification Search**  
USPC ..... D6/556-558; D8/1; D11/143, 144, 145, D11/147-156; D25/100, 101  
CPC .. A01G 17/06; A01G 2017/065; A01G 9/024; A01G 9/12  
See application file for complete search history.

D283,859 S \* 5/1986 Padgett ..... D6/558  
D293,476 S \* 12/1987 Morales ..... D25/100  
D305,800 S \* 1/1990 Mottmiller ..... D25/100  
D425,626 S \* 5/2000 Evans ..... D25/100  
2013/0283684 A1\* 10/2013 King ..... A01G 9/126  
47/65.5  
2018/0168114 A1\* 6/2018 McMurray ..... A01G 17/06  
2018/0288951 A1\* 10/2018 Di Battista ..... A01G 17/06  
2019/0239449 A1\* 8/2019 Eddins ..... A01G 9/124

\* cited by examiner

*Primary Examiner* — Leanne Was-Englehart  
(74) *Attorney, Agent, or Firm* — Polsinelli PC

(57) **CLAIM**

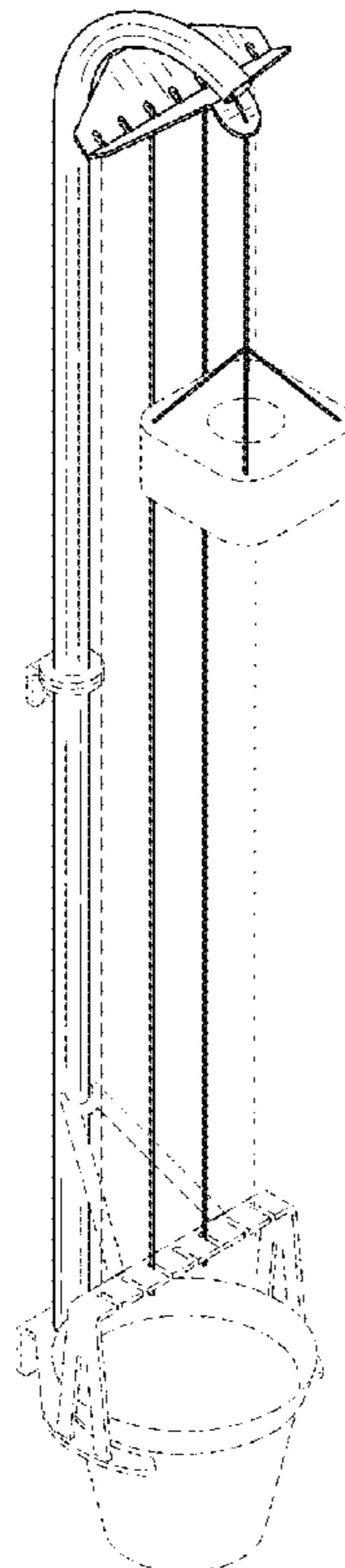
The ornamental design for a trellis, as shown and described.

**DESCRIPTION**

FIG. 1 is a top perspective view of a trellis showing our new design.  
FIG. 2 is a bottom perspective view thereof.  
FIG. 3 is a front view thereof.  
FIG. 4 is a back view thereof.  
FIG. 5 is a right side view thereof.  
FIG. 6 is a left side view thereof.  
FIG. 7 is a top view thereof; and,  
FIG. 8 is a bottom view thereof.  
The broken lines in the Figures show environment or portions of the trellis that form no part of the claimed design. The shade lines in the Figures show contour and do not claim surface ornamentation or treatment.

**1 Claim, 7 Drawing Sheets**

(56) **References Cited**  
U.S. PATENT DOCUMENTS  
D154,136 S \* 6/1949 Morris ..... D11/144  
D224,746 S \* 9/1972 Kyle ..... D11/144  
D270,122 S \* 8/1983 Stein ..... D6/558



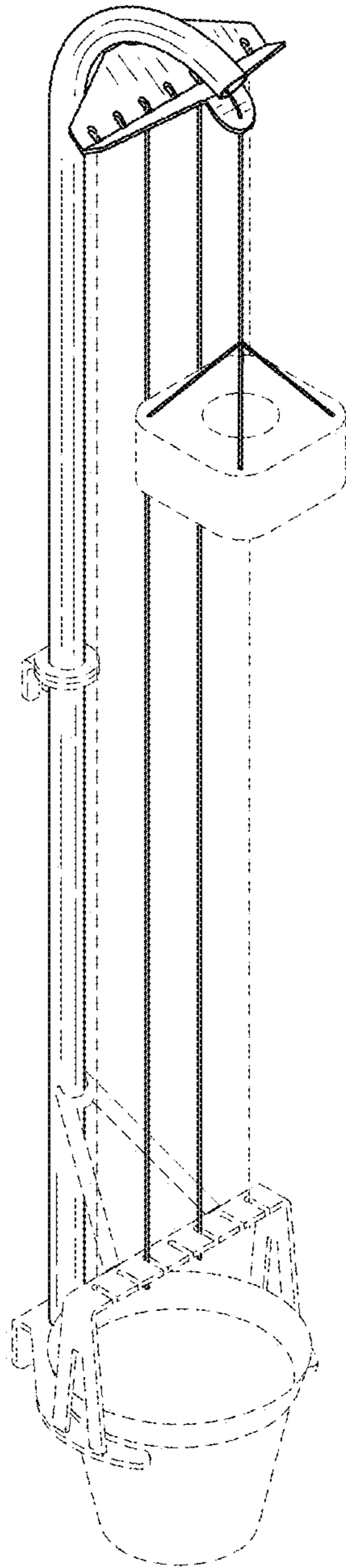


FIG. 1

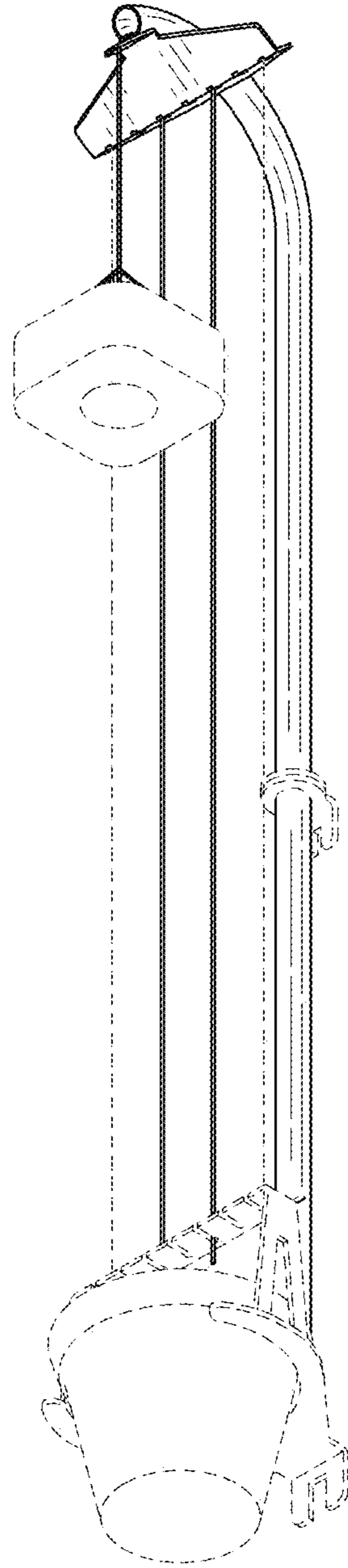


FIG.2

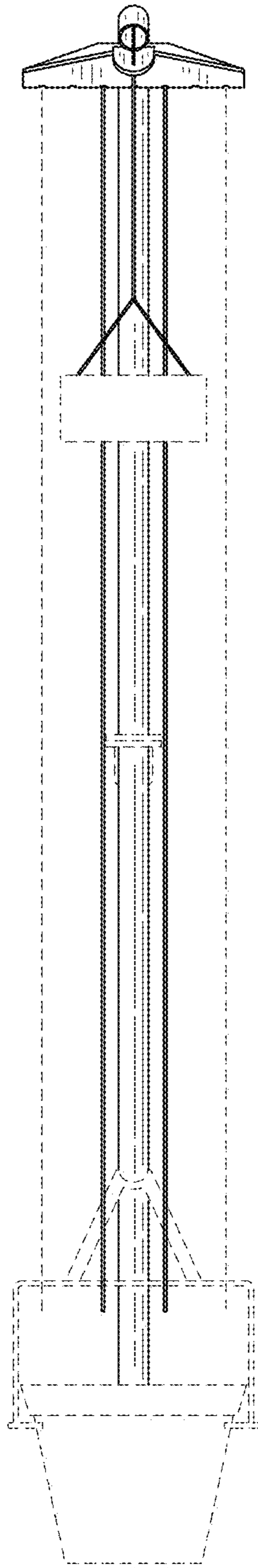


FIG.3

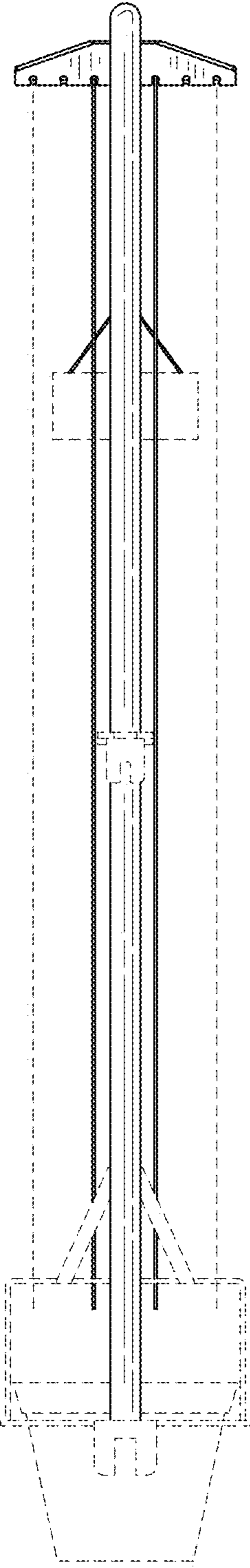


FIG.4

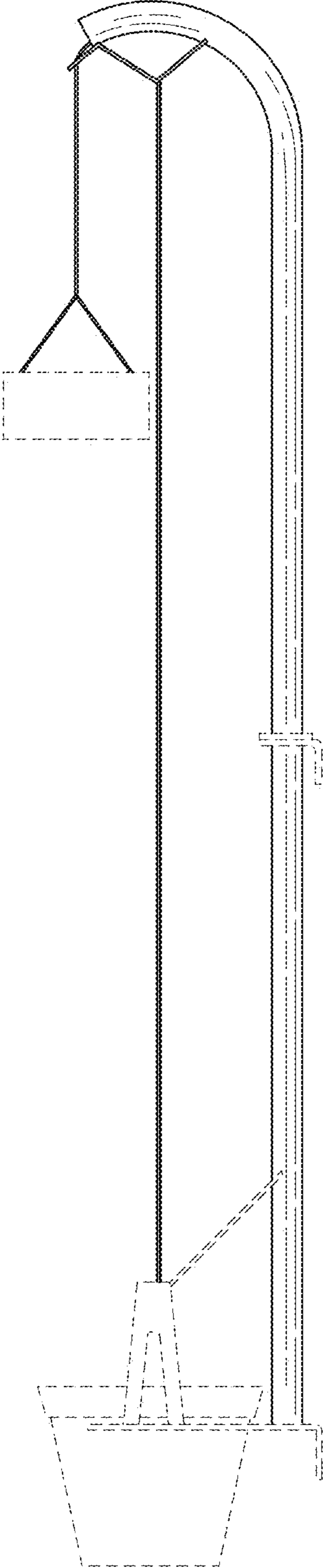


FIG.5

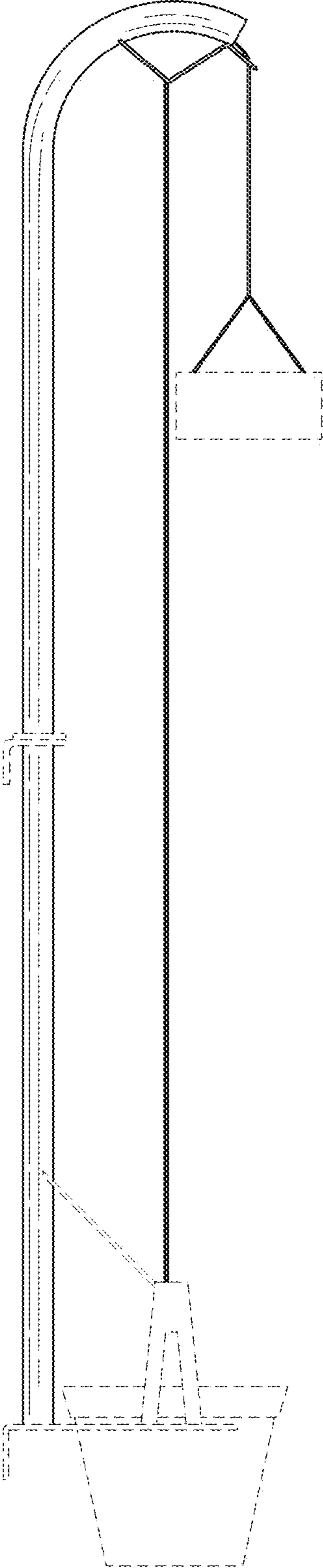


FIG.6

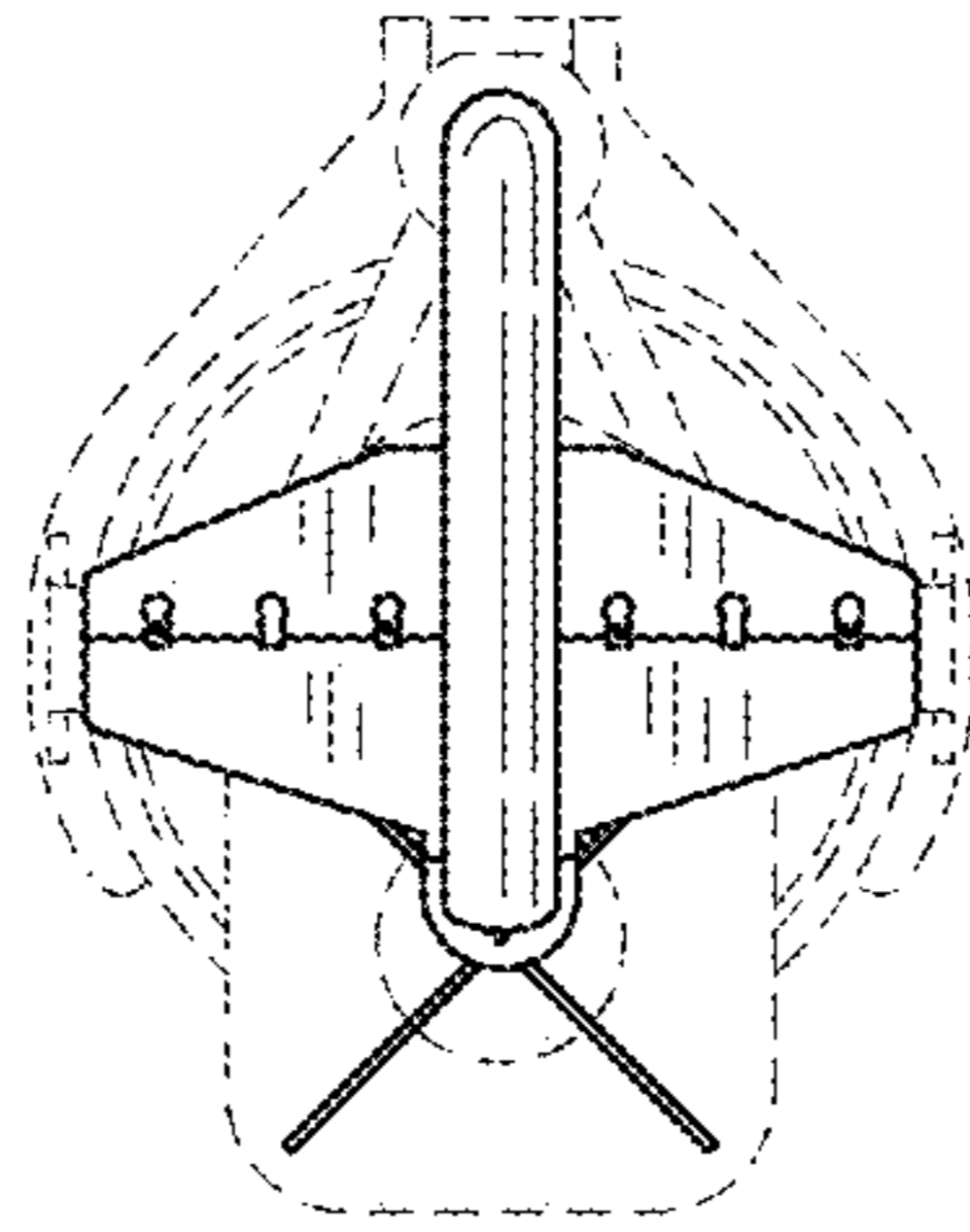


FIG. 7

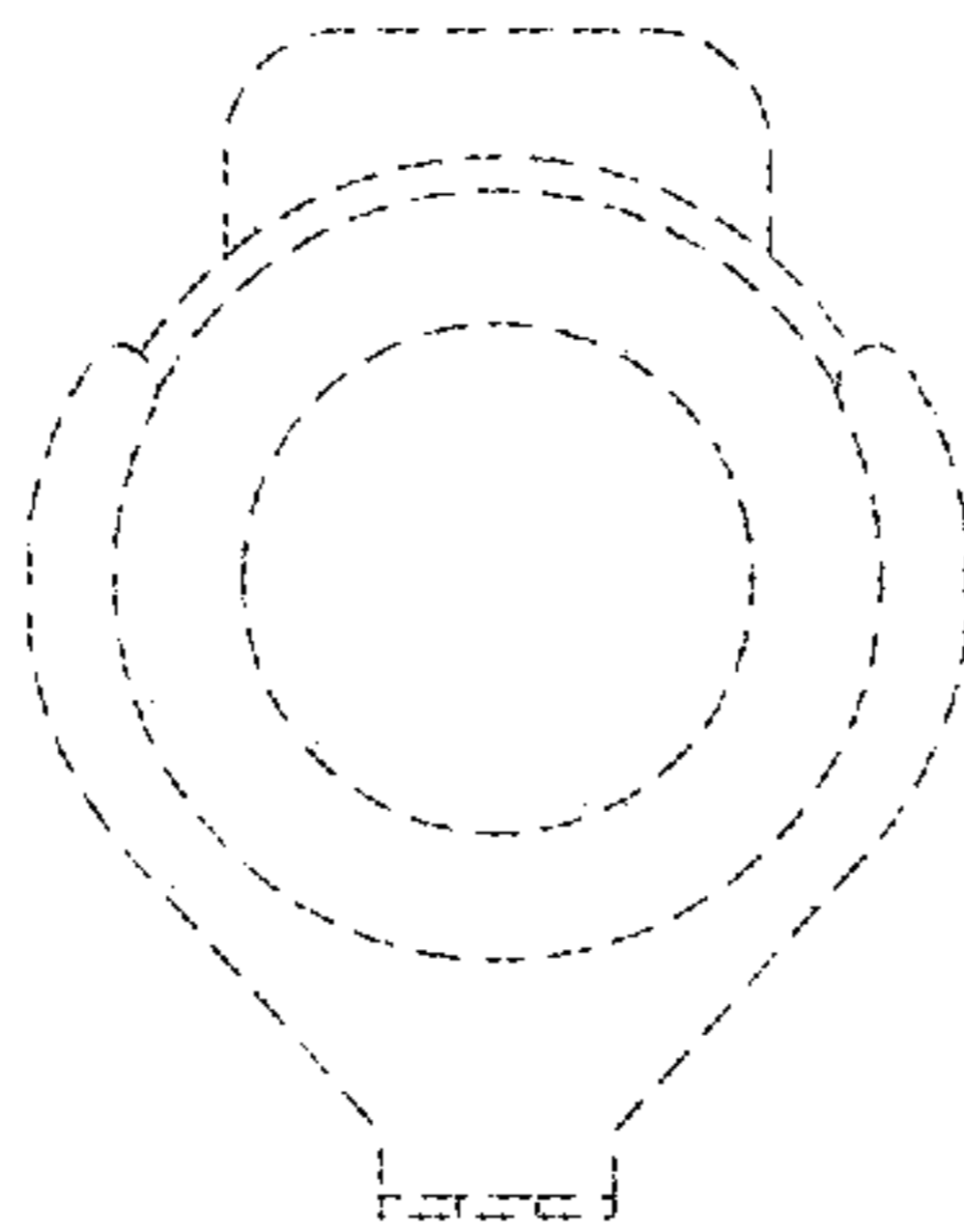


FIG. 8